

# **DMA/Bridge Subsystem for PCI Express v3.1**

## ***Product Guide***

**Vivado Design Suite**

**PG195 June 7, 2017**

# Table of Contents

## IP Facts

### Chapter 1: Overview

Feature Summary . . . . .	6
Applications . . . . .	7
Unsupported Features . . . . .	7
Limitations . . . . .	8
Licensing and Ordering Information . . . . .	9

### Chapter 2: Product Specification

Configurable Components of the Core . . . . .	10
DMA Operations . . . . .	14
Standards . . . . .	24
Performance and Resource Utilization . . . . .	24
Minimum Device Requirements . . . . .	24
Port Descriptions . . . . .	25
Register Space . . . . .	36

### Chapter 3: Designing with the Core

Clocking . . . . .	66
Resets . . . . .	66
Tandem Configuration . . . . .	67

### Chapter 4: Design Flow Steps

Customizing and Generating the Core . . . . .	69
Constraining the Core . . . . .	86
Simulation . . . . .	88
Synthesis and Implementation . . . . .	90

### Chapter 5: Example Design

AXI4 Memory Mapped Default Example Design . . . . .	91
AXI4 Memory Mapped with PCIe to AXI-Lite Master and PCIe to DMA Bypass Example Design . . . . .	92
AXI4 Memory Mapped with AXI4-Lite Slave Interface Example Design . . . . .	93
AXI4-Stream Example Design . . . . .	94

AXI4-Memory Mapped with Descriptor Bypass Example .....	95
Vivado IP Integrator-Based Example Design .....	96
<b>Chapter 6: Test Bench</b>	
Root Port Model Test Bench for Endpoint .....	100
<b>Appendix A: Device Driver</b>	
Overview .....	108
Interrupt Processing .....	108
Example H2C Flow .....	109
Example C2H Flow .....	110
<b>Appendix B: Upgrading</b>	
New Parameters .....	111
New Ports .....	112
<b>Appendix C: Debugging</b>	
Finding Help on Xilinx.com .....	119
Debug Tools .....	120
Hardware Debug .....	121
<b>Appendix D: Additional Resources and Legal Notices</b>	
Xilinx Resources .....	123
References .....	123
Revision History .....	124
Please Read: Important Legal Notices .....	125

## Introduction

The Xilinx® DMA/Bridge Subsystem for PCI Express® (PCIe™) implements a high performance, configurable Scatter Gather DMA for use with the PCI Express® 2.1 and 3.x Integrated Block. The IP provides an optional AXI4 or AXI4-Stream user interface.

This IP optionally also supports a PCIe AXI Bridge mode which is enabled for only UltraScale+ devices. For UltraScale and Virtex-7 XT/HT devices, use the existing AXI Bridge for PCIe Express Gen3 Subsystem (refer to PG194 [Ref 3]).

## Features

- Supports UltraScale+™, UltraScale™, Virtex-7 XT Gen3 (Endpoint), and 7 Series 2.1 (Endpoint) Integrated Blocks for PCIe. 7A15T and 7A25T are the only ones not supported
- Support for 64, 128, 256, 512-bit datapath (64, and 128-bit datapath only for 7 series Gen2 IP)
- 64-bit source, destination, and descriptor addresses
- Up to four host-to-card (H2C/Read) data channels (up to two for 7 series Gen2 IP)
- Up to four card-to-host (C2H/Write) data channels (up to two for 7 series Gen2 IP)
- Selectable user interface
  - Single AXI4 memory mapped (MM) user interface
  - AXI4-Stream user interface (each channel has its own AXI4-Stream interface)
- AXI4 Master and AXI4-Lite Master optional interfaces allow for PCIe traffic to bypass the DMA engine
- AXI4-Lite Slave to access DMA status registers
- Scatter Gather descriptor list supporting unlimited list size
- 256 MB max transfer size per descriptor
- Legacy, MSI, and MSI-X interrupts
- Block fetches of contiguous descriptors
- Poll Mode
- Descriptor Bypass interface
- Arbitrary source and destination address
- Parity check or Propagate Parity on AXI bus (not available for 7 series Gen2 IP)

IP Facts Table	
<b>Core Specifics</b>	
Supported Device Family <sup>(1)</sup>	UltraScale+, UltraScale, Virtex-7 XT, 7 Series Gen2 devices
Supported User Interfaces	AXI4, AXI4-Lite, AXI4-Stream
Resources	See <a href="#">Performance and Resource Utilization</a> .
<b>Provided with Core</b>	
Design Files	Encrypted System Verilog
Example Design	Verilog
Test Bench	Verilog
Constraints File	XDC
Simulation Model	Verilog
Supported S/W Driver	Linux and Windows Drivers <sup>(2)</sup>
<b>Tested Design Flows<sup>(3)</sup></b>	
Design Entry	Vivado® Design Suite
Simulation	For supported simulators, see the <a href="#">Xilinx Design Tools: Release Notes Guide</a> .
Synthesis	Vivado synthesis
<b>Support</b>	
Provided by Xilinx at the <a href="#">Xilinx Support web page</a>	

### Notes:

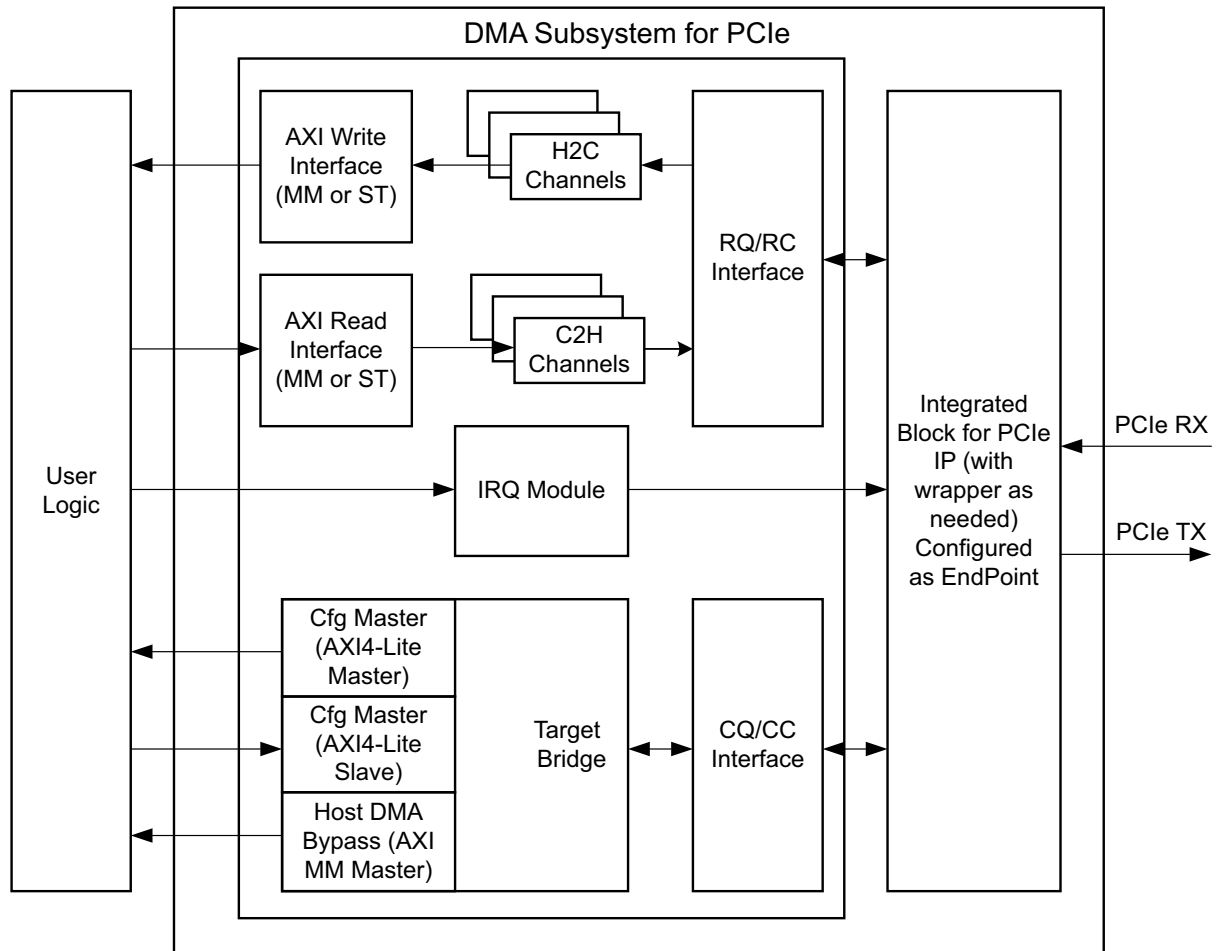
1. For a complete list of supported devices, see the Vivado IP catalog.
2. For details, see [Appendix A, Device Driver](#) and [AR 65444](#).
3. For the supported versions of the tools, see the [Xilinx Design Tools: Release Notes Guide](#).

## Overview

The DMA/Bridge Subsystem for PCI Express® (PCIe™) can be configured to be either a high performance direct memory access (DMA) data mover or a bridge between the PCI Express and AXI memory spaces.

- **DMA Data Mover:** As a DMA, the core can be configured with either an AXI (memory mapped) interface or with an AXI streaming interface to allow for direction connection to RTL logic. Either interface can be used for high performance block data movement between the PCIe address space and the AXI address space using the provided character driver. In addition to the basic DMA functionality, the DMA supports up to four upstream and downstream channels, the ability for PCIe traffic to bypass the DMA engine (Host DMA Bypass), and an optional descriptor bypass to manage descriptors from the FPGA fabric for applications that demand the highest performance and lowest latency.
- **Bridge Between PCIe and AXI Memory:** When configured as a PCIe Bridge, received PCIe packets are converted to AXI traffic and received AXI traffic is converted to PCIe traffic. The bridge functionality is ideal for AXI peripherals needing a quick and easy way to access a PCI Express subsystem. The bridge functionality can be used as either an Endpoint or as a Root Port.

Figure 1-1 shows an overview of the DMA Subsystem for PCIe.



X14718-0222

Figure 1-1: DMA Subsystem for PCIe Overview

## Feature Summary

The DMA Subsystem for PCIe masters read and write requests on the PCI Express 2.1, 3.x and 4.0 core enable you to perform direct memory transfers, both Host to Card (H2C), and Card to Host (C2H). The core can be configured to have a common AXI4 memory mapped interface shared by all channels or an AXI4-Stream interface per channel. Memory transfers are specified on a per-channel basis in descriptor linked lists, which the DMA fetches from host memory and processes. Events such as descriptor completion and errors are signaled using interrupts. The core also provides a configurable number of user interrupt wires that generate interrupts to the host.

The host is able to directly access the user logic through two interfaces:

- **The AXI4-Lite Master Configuration port:** This port is a fixed 32-bit port and is intended for non-performance-critical access to user configuration and status registers.

- **The AXI Memory Mapped Master CQ Bypass port:** The width of this port is the same as the DMA channel datapaths and is intended for high-bandwidth access to user memory that might be required in applications such as peer-to-peer transfers.

The user logic is able to access the DMA Subsystem for PCIe internal configuration and status registers through an AXI4-Lite Slave Configuration interface. Requests that are mastered on this port are not forwarded to PCI Express.

---

## Applications

The core architecture enables a broad range of computing and communications target applications, emphasizing performance, cost, scalability, feature extensibility, and mission-critical reliability. Typical applications include:

- Data communications networks
- Telecommunications networks
- Broadband wired and wireless applications
- Network interface cards
- Chip-to-chip and backplane interface cards
- Server add-in cards for various applications

---

## Unsupported Features

The following are not supported by this core:

- Root Port configurations (RP mode supported for UltraScale+ AXI Bridge mode only)
- Tandem Configuration solutions (Tandem PROM, Tandem PCIe, Tandem with Field Updates, PR over PCIe) are not supported for Virtex-7 XT and 7 series Gen 2 devices
- SRIOV
- ECRC
- Example design not supported for all configurations
- Narrow burst
- BAR translation for DMA addresses to AXI4 Memory Mapped interface

## Limitations

### PCIe Transaction Type

The PCIe transactions that can be generated are those that are compatible with the AXI4 specification. [Table 1-1](#) lists the supported PCIe transaction types.

**Table 1-1: Supported PCIe Transaction Types**

TX	RX
MRd32	MRd32
MRd64	MRd64
MWr32	MWr32
MWr64	MWr64
Msg(INT/Error)	Msg(SSPL,INT,Error)
Cpl	Cpl
CplD	CplD

### PCIe Capability

For the DMA Subsystem for PCIe, only the following PCIe capabilities are supported due to the AXI4 specification:

- 1 PF
- MSI
- MSI-X
- PM
- AER (only PCIe 3.x core)

### Others

- Only supports the INCR burst type. Other types result in the Slave Illegal Burst (SIB) interrupt.
- No memory type support (AxCACHE)
- No protection type support (AxPROT)
- No lock type support (AxLOCK)
- No non-contiguous byte enable support (WSTRB)



### ***PCIe to DMA Bypass Master***

- Only issues the INCR burst type
- Only issues the Data, Non-secure, and Unprivileged protection type

### ***User interrupt in MSI-X mode***

Users need to program a different vector number for each user interrupts in the IRQ Block User Vector Number register ([Table 2-88](#), [Table 2-89](#), [Table 2-90](#), and [Table 2-91](#)) to generate `acks` for all user interrupts. This generates `acks` for all user interrupts when there are simultaneous interrupts. When all vector numbers are pointing to the same MSI-X entry, there is only one `ack`.

---

## **Licensing and Ordering Information**

This Xilinx IP module is provided at no additional cost with the Xilinx Vivado Design Suite under the terms of the [Xilinx End User License](#). Information about this and other Xilinx IP modules is available at the [Xilinx Intellectual Property](#) page. For information about pricing and availability of other Xilinx IP modules and tools, contact your [local Xilinx sales representative](#).

For more information, visit the [DMA Subsystem for PCI Express](#) product page.

# Product Specification

The DMA Subsystem for PCI Express® (PCIe™), in conjunction with the Integrated Block for PCI Express IP, provides a highly configurable DMA Subsystem for PCIe, and a high performance DMA solution.

---

## Configurable Components of the Core

Internally, the core can be configured to implement up to eight independent physical DMA engines. These DMA engines can be mapped to individual AXI4-Stream interfaces or a shared AXI4 memory mapped (MM) interface to the user application. On the AXI4 MM interface, the DMA Subsystem for PCIe generates requests and expected completions. The AXI4-Stream interface is data-only. On the PCIe side, the DMA has internal arbitration and bridge logic to generate read and write transaction level packets (TLPs) to the PCIe over the Integrated Block for the PCIe core Requester Request (RQ) bus, and to accept completions from PCIe over the Integrated Block for the PCIe Request Completion (RC) bus. For details about the RQ and RC, see the *7 Series FPGAs Integrated Block for PCI Express Product Guide* (PG054) [Ref 4], *Virtex-7 FPGA Integrated Block for PCI Express Product Guide* (PG023) [Ref 5], *UltraScale Architecture Gen3 Integrated Block for PCI Express Product Guide* (PG156) [Ref 6], or *UltraScale+ Devices Integrated Block for PCI Express LogiCORE IP Product Guide* (PG213) [Ref 7].

The type of channel configured determines the transactions on which bus.

- An Host-to-Card (H2C) channel generates read requests to PCIe and provides the data or generates a write request to the user application.
- Similarly, a Card-to-Host (C2H) channel either waits for data on the user side or generates a read request on the user side and then generates a write request containing the data received to PCIe.

The DMA Subsystem for PCIe also enables the host to access the user logic. Write requests that reach 'PCIe to DMA bypass Base Address Register (BAR)' are processed by the DMA. The data from the write request is forwarded to the user application through the AXI4-Stream CQ forwarding interface.

The host access to the configuration and status registers in the user logic is provided through an AXI4-Lite master port. These requests are 32-bit reads or writes. The user

application also has access to internal DMA configuration and status registers through an AXI4-Lite slave port.

## Target Bridge

The target bridge receives requests from the host. Based on BARs, the requests are directed to the internal target user through the AXI4-Lite master, or the CQ bypass port. After the downstream user logic has returned data for a non-posted request, the target bridge generates a read completion TLP and sends it to the PCIe IP over the CC bus.

Table 2-1: 32-Bit BARs

	BAR0 (32-bit)	BAR1 (32-bit)	BAR2 (32-bit)
<b>Default</b>	DMA		
<b>PCIe to AXI Lite Master</b> enabled	PCIe to AXI Lite Master	DMA	
<b>PCIe to AXI Lite Master</b> and <b>PCIe to DMA Bypass</b> enabled	PCIe to AXI Lite Master	DMA	PCIe to DMA Bypass
<b>PCIe to DMA Bypass</b> enabled	DMA	PCIe to DMA Bypass	

Table 2-2: 64-Bit BARs

	BAR0 (64-bit)	BAR2 (64-bit)	BAR4 (64-bit)
<b>Default</b>	DMA		
<b>PCIe to AXI Lite Master</b> enabled	PCIe to AXI Lite Master	DMA	
<b>PCIe to AXI Lite Master</b> and <b>PCIe to DMA Bypass</b> enabled	PCIe to AXI Lite Master	DMA	PCIe to DMA Bypass
<b>PCIe to DMA Bypass</b> enabled	DMA	PCIe to DMA Bypass	

## H2C Channel

Table 2-1 represents 'PCIe to AXI Lite Master', DMA, and 'PCIe to DMA Bypass' for 32-bit BAR selection. Table 2-2 represents all three for 64-bit BAR selection. Each space can be individually selected for 32-bits or 64-bits BAR.

The number of H2C channels is configured in the Vivado® Integrated Design Environment (IDE). The H2C channel handles DMA transfers from the host to the card. It is responsible for splitting read requests based on maximum read request size, and available internal resources. The DMA channel maintains a maximum number of outstanding requests based on the RNUM\_RIDS, which is the number of outstanding H2C channel request ID parameter. Each split, if any, of a read request consumes an additional read request entry. A request is outstanding after the DMA channel has issued the read to the PCIe RQ block to when it receives confirmation that the write has completed on the user interface in-order. After a transfer is complete, the DMA channel issues a writeback or interrupt to inform the host.

The H2C channel also splits transaction on both its read and write interfaces. On the read interface to the host, transactions are split to meet the maximum read request size

configured, and based on available Data FIFO space. Data FIFO space is allocated at the time of the read request to ensure space for the read completion. The PCIe RC block returns completion data to the allocated Data Buffer locations. To minimize latency, upon receipt of any completion data, the H2C channel begins issuing write requests to the user interface. It also breaks the write requests into maximum payload size. On an AXI4-Stream user interface, this splitting is transparent.

## C2H Channel

The C2H channel handles DMA transfers from the card to the host. The instantiated number of C2H channels is controlled in the Vivado IDE. Similarly the number of outstanding transfers is configured through the WNUM\_RIDS, which is the number of C2H channel request IDs. In an AXI4-Stream configuration, the details of the DMA transfer are set up in advance of receiving data on the AXI4-Stream interface. This is normally accomplished through receiving a DMA descriptor. After the a request ID has been prepared and the channel is enabled, the AXI4-Stream interface of the channel can receive data and perform the DMA to the host. In an AXI4 MM interface configuration, the request IDs are allocated as the read requests to the AXI4 MM interface are issued. Similar to the H2C channel, a given request ID is outstanding until the write request has been completed. In the case of the C2H channel, write request completion is when the write request has been issued as indicated by the PCIe IP.

## AXI4-Lite Master

This module implements the AXI4-Lite master bus protocol. The host can use this interface to generate 32-bit read and 32-bit write requests to the user logic. The read or write request is received over the PCIe IP CQ bus and must target **PCIe to AXI-Lite Master BAR**. Read completion data is returned back to the host through the target bridge over the PCIe IP CC bus.

## AXI4-Lite Slave

This module implements the AXI4-Lite Slave bus protocol. The user logic can master 32-bit reads or writes on this interface to DMA internal registers and also AXI Bridge internal registers when **AXI Bridge Functional Mode** is selected. This interface does not generate requests to the host. In AXI Bridge Functional Mode, AXI Bridge internal registers can be accessed when  $s\_axil\_aw/raddr[28] = 0$ , and DMA internal registers can be accessed when  $s\_axil\_aw/raddr[28] = 1$ .

## IRQ Module

The IRQ module receives a configurable number of interrupt wires from the user logic, and one interrupt wire from each DMA channel and is responsible for generating an interrupt over PCIe. Support for MSI-X, MSI, and legacy interrupts can be specified during IP configuration.

### Legacy Interrupts

Asserting one or more bits of `usr_irq_req` when legacy interrupts are enabled causes the DMA to issue a legacy interrupt over PCIe. Multiple bits may be asserted simultaneously but each bit must remain asserted until the corresponding `usr_irq_ack` bit has been asserted. Assertion of this `usr_irq_ack` bit indicates the message was sent over PCIe. After the `usr_irq_req` bit is deasserted, it cannot be reasserted until the corresponding `usr_irq_ack` bit has been asserted for a second time. This indicates the deassertion message for the legacy interrupt has been sent over PCIe. After a second `usr_irq_ack` has occurred, the `usr_irq_req` wire can be reasserted to generate another legacy interrupt.

The `usr_irq_req` bit and DMA interrupts can be mapped to legacy interrupt INTA, INTB, INTC, INTD through the configuration registers. Figure 2-1 shows the legacy interrupts.

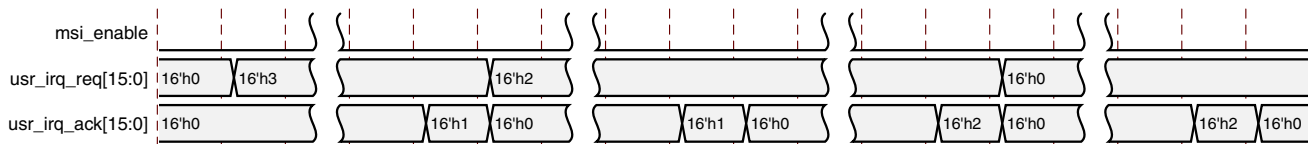


Figure 2-1: Legacy Interrupts

### MSI and MSI-X Interrupts

Asserting one or more bits of `usr_irq_req` causes the generation of an MSI or MSI-X interrupt if MSI or MSI-X is enabled. If both MSI and MSI-X capabilities are enabled, an MSI-X interrupt is generated.

After a `usr_irq_req` bit is asserted, it must remain asserted until the corresponding `usr_irq_ack` bit is asserted. The `usr_irq_ack` bit assertion indicates the requested interrupt has been sent on PCIe. Once this `ack` has been observed, the `usr_irq_req` bit can be deasserted.

Configuration registers are available to map `usr_irq_req` and DMA interrupts to MSI or MSI-X vectors. For MSI-X support, there is also a vector table and PBA table. Figure 2-2 shows the MSI interrupt.



Figure 2-2: MSI Interrupts

Figure 2-3 shows the MSI-X interrupt.

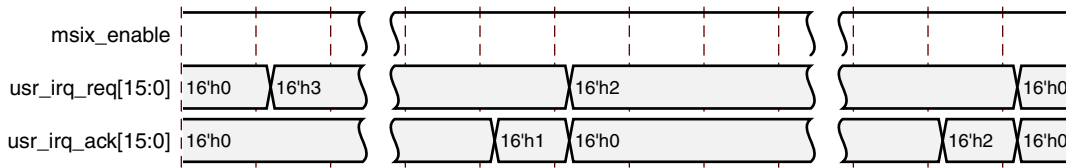


Figure 2-3: MSI-X Interrupts

For more details, see [Interrupt Processing in Appendix A](#).

## Host-to-Card Bypass Master

Host requests that reach the 'PCIe to DMA bypass' BAR are sent to this module. The bypass master port is an AXI4 MM interface and supports read and write accesses.

## Config Block

The config module, the DMA register space which contains PCIe solution IP configuration information and DMA control registers, stores PCIe IP configuration information that is relevant to the DMA Subsystem for PCIe. This configuration information can be read through register reads to the appropriate register offset within the config module.

# DMA Operations

## Quick Start

At the most basic level, the PCIe DMA engine typically moves data between host memory and memory that resides in the FPGA which is often (but not always) on an add-in card. When data is moved from host memory to the FPGA memory, it is called a Host to Card (H2C) transfer or System to Card (S2C) transfer. Conversely, when data is moved from the FPGA memory to the host memory, it is called a Card to Host (C2H) or Card to System (C2S) transfer.

These terms help delineate which way data is flowing (as opposed to using read and write which can get confusing very quickly). The PCIe DMA engine is simply moving data to or from PCIe address locations.

In typical operation, an application in the host must to move data between the FPGA and host memory. To accomplish this transfer, the host sets up buffer space in system memory and creates descriptors that the DMA engine use to move the data.

The contents of the descriptors will depend on a number of factors, including which user interface is chosen for the DMA engine. If an AXI4-Stream interface is selected, C2H transfers do not use the source address field and H2C fields do not use the destination

address. This is because the AXI4-Stream interface is a FIFO type interface that does not use addresses.

If an AXI Memory Mapped interface is selected, then a C2H transfer has the source address as an AXI address and the destination address is the PCIe address. For a H2C transfer, the source address is a PCIe address and the destination address is an AXI address.

The flow charts below show typical transfers for both H2C and C2H transfers when the data interface is selected during IP configuration for an AXI Memory Mapped interface.

Figure 2-4 shows the initial setup for both H2C and C2H transfers.

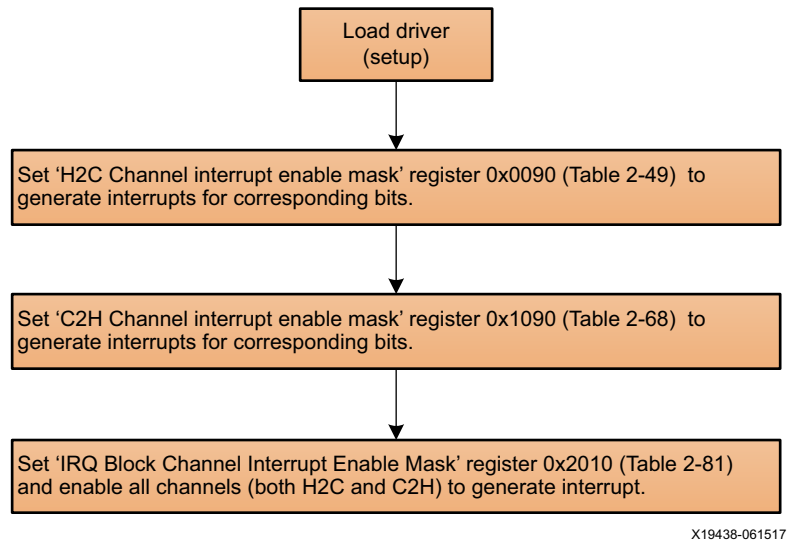
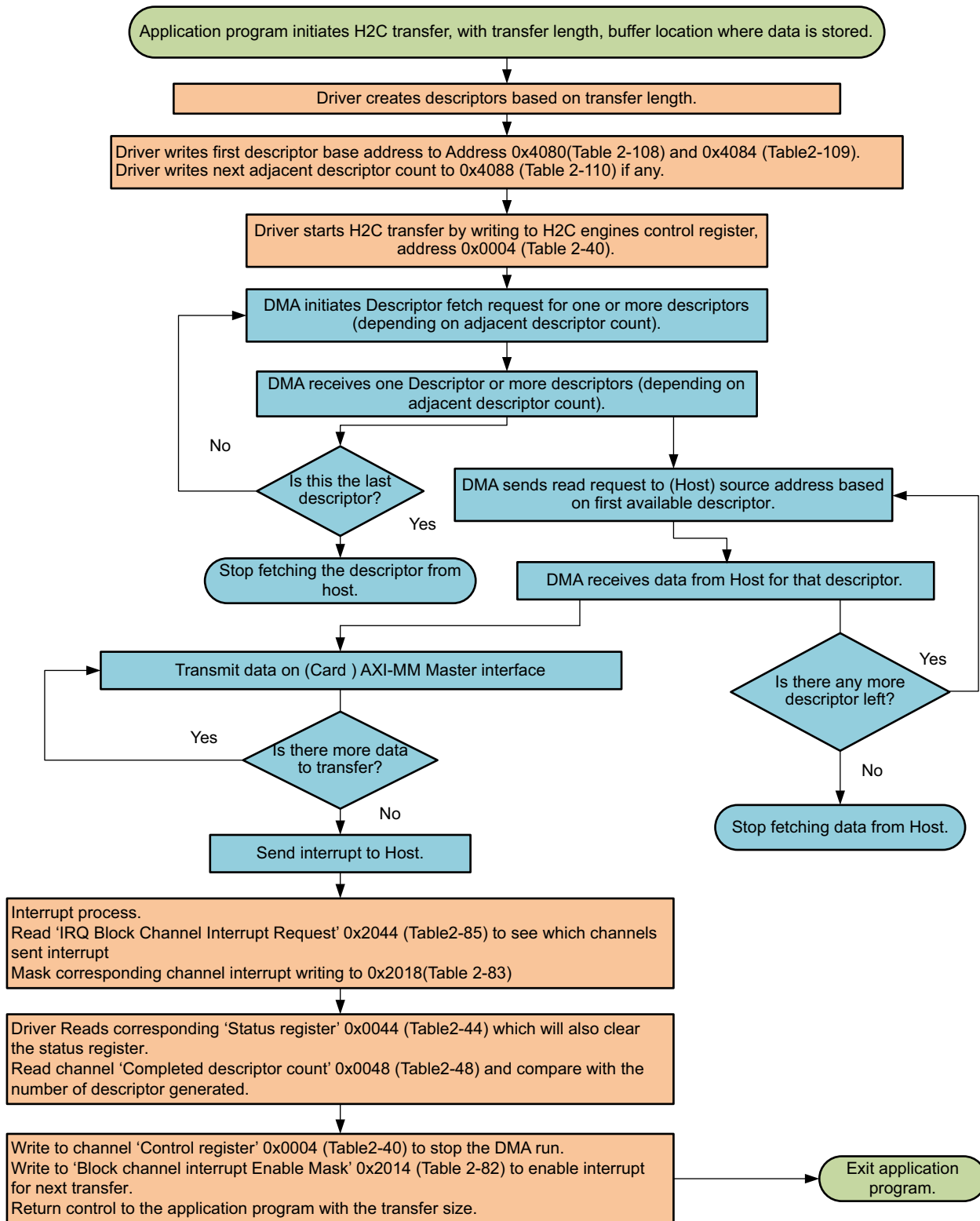


Figure 2-4: Setup

## ***AXI-MM Transfer For H2C***

Figure 2-5 shows a basic flow chart that explains the data transfer for H2C. The flow chart color coding is as follows: Green is the application program; Orange is the driver; and Blue is the hardware.



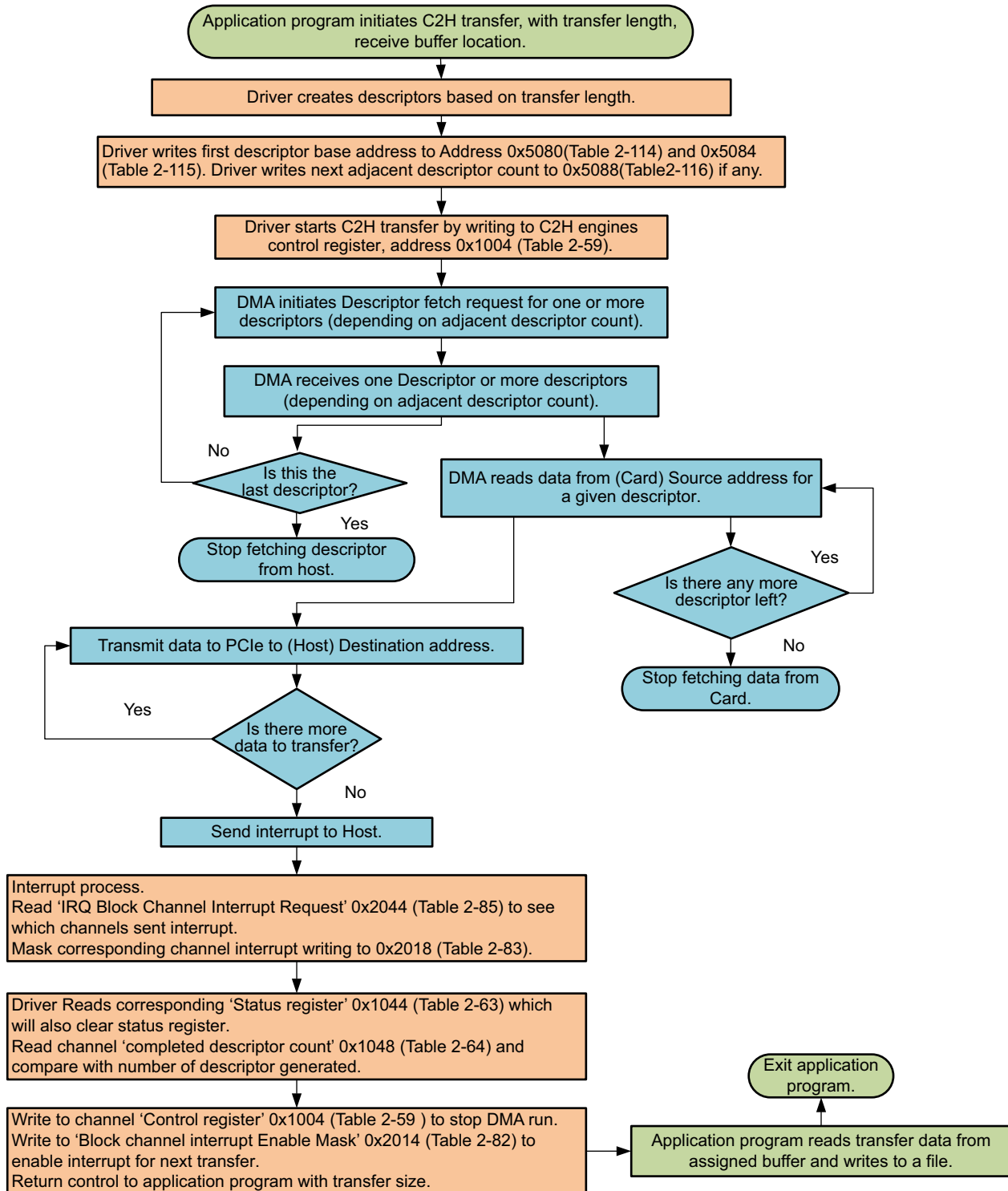


X19389-061517

Figure 2-5: DMA/Bridge H2C Transfer Summary

## ***AXI-MM Transfer For C2H***

Figure 2-6 shows a basic flow chart that explains the data transfer for C2H. The flow chart color coding is as follows: Green is the application program; Orange is the driver; and Blue is the hardware.



X19388-061517

Figure 2-6: DMA/Bridge C2H Transfer Summary

## Descriptors

The DMA Subsystem for PCIe uses a linked list of descriptors that specify the source, destination, and length of the DMA transfers. Descriptor lists are created by the driver and stored in host memory. The DMA channel is initialized by the driver with a few control registers to begin fetching the descriptor lists and executing the DMA operations.

Descriptors describe the memory transfers that the DMA Subsystem for PCIe should perform. Each channel has its own descriptor list. The start address of each channel's descriptor list is initialized in hardware registers by the driver. After the channel is enabled, the descriptor channel begins to fetch descriptors from the initial address. Thereafter, it fetches from the `Nxt_adr[63:0]` field of the last descriptor that was fetched. Descriptors must be aligned to a 32 byte boundary.

The size of the initial block of adjacent descriptors are specified with the `Dsc_Adj` register. After the initial fetch, the descriptor channel uses the `Nxt_adj` field of the last fetched descriptor to determine the number of descriptors at the next descriptor address. A block of adjacent descriptors must not cross a 4K address boundary. The descriptor channel fetches as many descriptors in a single request as it can, limited by MRRS, the number the adjacent descriptors, and the available space in the channel's descriptor buffer.

Every descriptor in the descriptor list must accurately describe the descriptor or block of descriptors that follows. In a block of adjacent descriptors, the `Nxt_adj` value decrements from the first descriptor to the second to last descriptor which has a value of zero. Likewise, each descriptor in the block points to the next descriptor in the block, except for the last descriptor which might point to a new block or might terminate the list.

Termination of the descriptor list is indicated by the Stop control bit. After a descriptor with the Stop control bit is observed, no further descriptor fetches are issued for that list. The Stop control bit can only be set on the last descriptor of a block.

When using an AXI4 memory mapped interface, DMA addresses to the card are not translated. If the Host does not know the card address map, the descriptor must be assembled in the user logic and submitted to the DMA using the descriptor bypass interface.

**Table 2-3: Descriptor Format**

Offset	Fields			
0x0	Magic[15:0]	Rsv[1:0]	Nxt_adj[5:0]	Control[7:0]
0x04	4'h0, Len[27:0]			
0x08	Src_adr[31:0]			
0x0C	Src_adr[63:32]			
0x10	Dst_adr[31:0]			
0x14	Dst_adr[63:32]			

Table 2-3: Descriptor Format (Cont'd)

Offset	Fields
0x18	Nxt_adr[31:0]
0x1C	Nxt_adr[63:32]

Table 2-4: Descriptor Fields

Field	Bit Index	Sub Field	Description
Magic	15:0		16'had4b. Code to verify that the driver generated descriptor is valid.
Nxt_adj	5:0		The number of additional adjacent descriptors after the descriptor located at the next descriptor address field. A block of adjacent descriptors cannot cross a 4k boundary.
Control	5, 6, 7		Reserved
	4	EOP	End of packet for stream interface.
	2, 3		Reserved
	1	Completed	Set to 1 to interrupt after the engine has completed this descriptor. This requires global IE_DESCRIPTOR_COMPLETED control flag set in the SGDMA control register.
	0	Stop	Set to 1 to stop fetching descriptors for this descriptor list. The stop bit can only be set on the last descriptor of an adjacent block of descriptors.
Length	27:0		Length of the data in bytes.
Src_adr	63:0		Source address for H2C and memory mapped transfers. Metadata writeback address for C2H transfers.
Dst_adr	63:0		Destination address for C2H and memory mapped transfers. Not used for H2C stream.
Nxt_adr	63:0		Address of the next descriptor in the list.

The DMA has  $Bit\_width * 512$  deep FIFO to hold all descriptors in the descriptor engine. This descriptor FIFO is shared with all selected channels.

- For Gen3x16 with 4H2C and 4C2H design, AXI bit width is 512 bits. FIFO depth is  $512\text{ bit} * 512 = 64\text{ Bytes} * 512 = 32\text{ KBytes}$ . (1K descriptors) This FIFO is shared by 8 DMA engines.
- For Gen3x8 with 2H2C and 2C2H design, AXI bit width is 256 bits. FIFO depth is  $256\text{ bit} * 512 = 32\text{ Bytes} * 512 = 16\text{ KBytes}$ . (512 descriptors) This FIFO is shared by 4 DMA engines.

### Descriptor Bypass

The descriptor fetch engine can be bypassed on a per channel basis through Vivado IDE parameters. A channel with descriptor bypass enabled accepts descriptor from its

respective `c2h_dsc_byp` or `h2c_dsc_byp` bus. Before the channel accepts descriptors, the Control register `Run` bit must be set. The `NextDescriptorAddress` and `NextAdjacentCount`, and `Magic` descriptor fields are not used when descriptors are bypassed. The `ie_descriptor_stopped` bit in Control register bit does not prevent the user logic from writing additional descriptors. All descriptors written to the channel are processed, barring writing of new descriptors when the channel buffer is full.

### Poll Mode

Each engine is capable of writing back completed descriptor counts to host memory. This allows the driver to poll host memory to determine when the DMA is complete instead of waiting for an interrupt.

For a given DMA engine Completed descriptor count writeback occurs when DMA completes a transfer for a descriptor and `ie_descriptor_completed` and `Pollmode_wb_enable` are set (see Control registers in [Table 2-40](#) for H2C, and in [Table 2-59](#) for C2H). The completed descriptor count reported is the total number of completed descriptors since the DMA was initiated (not just those descriptors with the Completed flag set). The writeback address is defined by the `Pollmode_hi_wb_addr` and `Pollmode_lo_wb_addr` registers (see [Table 2-47](#) and [Table 2-48](#) for H2C, and [Table 2-66](#) and [Table 2-67](#) for C2H).

Table 2-5: Completed Descriptor Count Writeback Format

Offset	Fields		
0x0	Sts_err	7'h0	Compl_descriptor_count[23:0]

Table 2-6: Completed Descriptor Count Writeback Fields

Field	Description
Sts_err	The bitwise OR of any error status bits in the channel Status register.
Compl_descriptor_count[23:0]	The lower 24 bits of the Complete Descriptor Count register.

## DMA H2C Stream

For host-to-card transfers, data is read from the host at the source address, but the destination address in the descriptor is unused. Packets can span multiple descriptors. The termination of a packet is indicated by the EOP control bit. A descriptor with an EOP bit asserts `tlast` on the AXI4-Stream user interface on the last beat of data.

Data delivered to the AXI4-Stream interface will be packed for each descriptor. `tkeep` is all 1s except for the last cycle of a data transfer of the descriptor if it is not a multiple of the datapath width. The DMA does not pack data across multiple descriptors.

## DMA C2H Stream

For card-to-host transfers, the data is received from the AXI4-Stream interface and written to the destination address. Packets can span multiple descriptors. The C2H channel accepts data when it is enabled, and has valid descriptors. As data is received, it fills descriptors in order. When a descriptor is filled completely or closed due to an end of packet on the interface, the C2H channel writes back information to the writeback address on the host with pre-defined `WB Magic` value `16'h52b4` (Table 2-8), and updated EOP and Length as appropriate. For valid data cycles on the C2H AXI4-Stream interface, all data associated with a given packet must be contiguous.

The `tkeep` bits for transfers for all except the last data transfer of a packet must be all 1s. On the last transfer of a packet, when `tlast` is asserted, you can specify a `tkeep` that is not all 1s to specify a data cycle that is not the full datapath width. The asserted `tkeep` bits need to be packed to the lsb, indicating contiguous data.

The destination buffer for C2H transfers must always be sized as a multiple of 64 bytes.

Table 2-7: C2H Stream Writeback Format

Offset	Fields		
0x0	WB Magic[15:0]	Reserved [14:0]	Status[0]
0x04	Length[31:0]		

Table 2-8: C2H Stream Writeback Fields

Field	Bit Index	Sub Field	Description
Status	0	EOP	End of packet
Reserved	14:0		Reserved
WB Magic	15:0		16'h52b4. Code to verify the C2H writeback is valid.
Length	31:0		Length of the data in bytes.

## Address Alignment

Table 2-9: Address Alignment

Interface Type	Datapath Width	Address Restriction
AXI4 MM	64, 128, 256, 512	None
AXI4-Stream	64, 128, 256, 512	None
AXI4 MM fixed address	64	Source_addr[2:0] == Destination_addr[2:0] == 3'h0
AXI4 MM fixed address	128	Source_addr[3:0] == Destination_addr[3:0] == 4'h0
AXI4 MM fixed address	256	Source_addr[4:0] == Destination_addr[4:0] == 5'h0
AXI4 MM fixed address	512	Source_addr[5:0] == Destination_addr[5:0] == 6'h0

## Length Granularity

Table 2-10: Length Granularity

Interface Type	Datapath Width	Length Granularity Restriction
AXI4 MM	64, 128, 256, 512	None
AXI4-Stream	64, 128, 256, 512	None
AXI4 MM fixed address	64	Length[2:0] == 3'h0
AXI4 MM fixed address	128	Length[3:0] == 4'h0
AXI4 MM fixed address	256	Length[4:0] == 5'h0
AXI4 MM fixed address	512	Length[5:0] == 6'h0

## Standards

The DMA Subsystem for PCIe is compliant with the ARM® AMBA® AXI4 Protocol Specification and the PCI Express Base Specification v2.1 and v3.0 [Ref 1].

## Performance and Resource Utilization

For DMA Performance data, see [AR 68049](#).

For DMA Resource Utilization, see [Resource Utilization web page](#).

## Minimum Device Requirements

Tables 2-11 lists the link widths and supported speed for a given speed grade.

Table 2-11: Minimum Device Requirements

Capability Link Speed	Capability Link width	Supported Speed Grades
<b>UltraScale+ Family<sup>(1)</sup></b>		
Gen1/Gen2	x1, x2, x4, x8, x16	-1, -1L, -1LV, -2, -2L, -2LV, -3 <sup>(2)</sup>
Gen3	x1, x2, x4	-1, -1L, -1LV, -2, -2L, -2LV, -3 <sup>(2)</sup>
	x8, x16	-2, -2L, -3 <sup>(2)</sup>
<b>UltraScale Family</b>		
Gen1	x1, x2, x4, x8	-1, -2, -3, -1L, -1LV, -1H and -1HV <sup>(3)</sup>



Table 2-11: Minimum Device Requirements (Cont'd)

Capability Link Speed	Capability Link width	Supported Speed Grades
Gen2	x1, x2, x4, x8	-1, -2, -3, -1L, -1LV, -1H and -1HV <sup>(3)</sup>
Gen3	x1, x2, x4	-1, -2, -3, -1L, -1LV, -1H and -1HV <sup>(3)(4)</sup>
Gen3	x8	-2, -3
<b>7 Series Gen3 Family</b>		
Gen1	x1, x2, x4, x8	-3, -2, -1, -2L, -2G, -2I, -1M, -1I
Gen2	x1, x2, x4, x8	-3, -2, -1, -2L, -2G, -2I, -1M, -1I
Gen3	x1,x2, x4, x8	-3, -2, -2L, -2G, -2I
<b>7 Series Gen2 Family</b>		
Gen1	x1, x2, x4, x8	All -1, -2, -3, -2L, -2G <sup>(5)</sup>
Gen2	x1, x2, x4	All -1, -2, -3, -2L, -2G <sup>(5)</sup>
	x8	-2, -3, -2L, -2G

**Notes:**

1. In Vivado Design Suite 2016.4, only a limited number of UltraScale+ devices support Gen3 x16 in -2L. All devices will be supported according to this table in Vivado Design Suite 2017.1.
2. -1L(0.95V), -1LV(0.90V), -2L(0.85V), -2LV(0.72V).
3. -1L(0.95V), -1LV(0.90V), -1H(1.0V), -1HV(0.95V).
4. The Core Clock Frequency option must be set to 250 MHz for -1, -1LV, -1L, -1H and -1HV speed grades.
5. Available -1 speed grades are -1M, -1I, -1Q depending on family selected. Available -2 speed grades are -2G, -2I, -2IL depending on the family selected.

## Port Descriptions

The DMA Subsystem for PCIe connects directly to the PCIe Integrated Block. The datapath interfaces to the PCIe Integrated Block IP are 64, 128, 256 or 512-bits wide, and runs at up to 250 MHz depending on the configuration of the IP. The datapath width applies to all data interfaces except for the AXI4-Lite interfaces. AXI4-Lite interfaces are fixed at 32-bits wide.

Ports associated with this core are described in [Tables 2-12 to 2-33](#).

Table 2-12: Top-Level Interface Signals

Signal Name	Direction	Description
sys_clk	Input	<b>7 series Gen2 and Virtex-7 Gen3:</b> PCIe reference clock. Should be driven from the O port of reference clock IBUFDS_GTE2. <b>UltraScale:</b> DRP clock and internal system clock (Half the frequency of sys_clk_gt). Should be driven by the ODIV2 port of reference clock IBUFDS_GTE3
sys_clk_gt	Input	<b>UltraScale only:</b> PCIe reference clock. Should be driven from the O port of reference clock IBUFDS_GTE3. See the <i>UltraScale Architecture Gen3 Integrated Block for PCI Express LogiCORE IP Product Guide</i> (PG156) [Ref 6], or <i>UltraScale+ Devices Integrated Block for PCI Express LogiCORE IP Product Guide</i> (PG213) [Ref 7].
sys_rst_n	Input	Reset from the PCIe edge connector reset signal
axi_aclk	Output	PCIe derived clock output for M_AXI and S_AXI interfaces
axi_aresetn	Output	AXI reset signal synchronous with the clock provided on the axi_aclk output. This reset should drive all corresponding AXI Interconnect aresetn signals.
user_lnk_up	Output	Output Active-High Identifies that the PCI Express core is linked up with a host device.
msi_enable	Output	Indicates when MSI is enabled.
msi_vector_width[2:0]	Output	Indicates the size of the MSI field (the number of MSI vectors allocated to the device).

Table 2-13: PCIe Interface Signals

Signal Name	Direction	Description
pci_exp_rxp[PL_LINK_CAP_MAX_LINK_WIDTH-1:0]	Input	PCIe RX serial interface
pci_exp_rxn[PL_LINK_CAP_MAX_LINK_WIDTH-1:0]	Input	PCIe RX serial interface
pci_exp_txp[PL_LINK_CAP_MAX_LINK_WIDTH-1:0]	Output	PCIe TX serial interface
pci_exp_txn[PL_LINK_CAP_MAX_LINK_WIDTH-1:0]	Output	PCIe TX serial interface

Table 2-14: H2C Channel 0-3 AXI4-Stream Interface Signals

Signal Name	Direction	Description
m_axis_h2c_tready_x	Input	Assertion of this signal by the user logic indicates that it is ready to accept data. Data is transferred across the interface when m_axis_h2c_tready and m_axis_h2c_tvalid are asserted in the same cycle. If the user logic deasserts the signal when the valid signal is High, the DMA keeps the valid signal asserted until the ready signal is asserted.
m_axis_h2c_tlast_x	Output	The DMA asserts this signal in the last beat of the DMA packet to indicate the end of the packet.
m_axis_h2c_tdata_x [DAT_WIDTH-1:0]	Output	Transmit data from the DMA to the user logic.

Table 2-14: H2C Channel 0-3 AXI4-Stream Interface Signals

Signal Name	Direction	Description
m_axis_h2c_tvalid_x	Output	The DMA asserts this whenever it is driving valid data on m_axis_c2h_tdata.
m_axis_h2c_tuser_x	Output	Parity bits. This port is enabled only in Propagate Parity mode.

Table 2-15: C2H Channel 0-3 AXI4-Stream Interface Signals

Signal Name	Direction	Description
s_axis_c2h_tready_x	Output	Assertion of this signal indicates that the DMA is ready to accept data. Data is transferred across the interface when s_axis_h2c_tready and s_axis_c2h_tvalid are asserted in the same cycle. If the DMA deasserts the signal when the valid signal is High, the user logic must keep the valid signal asserted until the ready signal is asserted.
s_axis_c2h_tlast_x	Input	The user logic asserts this signal to indicate the end of the DMA packet.
s_axis_c2h_tdata_x	Input	Transmits data from the user logic to the DMA.
s_axis_c2h_tvalid_x	Input	The user logic asserts this whenever it is driving valid data on s_axis_h2c_tdata.
m_axis_c2h_tuser_x	Input	Parity bits. This port is enabled only in Propagate Parity mode.

Table 2-16: AXI4 Memory Mapped Read Address Interface Signals

Signal Name	Direction	Description
m_axi_araddr [AXI_ADR_WIDTH-1:0]	Output	This signal is the address for a memory mapped read to the user logic from the DMA.
m_axi_arid [ID_WIDTH-1:0]	Output	Standard AXI4 description, which is found in the AXI4 Protocol Specification [Ref 1].
m_axi_arlen[7:0]	Output	Master read burst length.
m_axi_arsize[2:0]	Output	Master read burst size.
m_axi_arprot[2:0]	Output	3'h0
m_axi_arvalid	Output	The assertion of this signal means there is a valid read request to the address on m_axi_araddr.
m_axi_arready	Input	Master read address ready.
m_axi_arlock	Output	1'b0
m_axi_arcache[3:0]	Output	4'h0
m_axi_arburst	Output	Master read burst type.

Table 2-17: AXI4 Memory Mapped Read Interface Signals

Signal Name	Direction	Description
m_axi_rdata [DATA_WIDTH-1:0]	Input	Master read data.
m_axi_rid [ID_WIDTH-1:0]	Input	Master read ID.

**Table 2-17: AXI4 Memory Mapped Read Interface Signals (Cont'd)**

Signal Name	Direction	Description
m_axi_rresp[1:0]	Input	Master read response.
m_axi_rlast	Input	Master read last.
m_axi_rvalid	Input	Master read valid.
m_axi_rready	Output	Master read ready.
m_axi_ruser	Input	Parity ports for read interface. This port is enabled only in Propagate Parity mode.

**Table 2-18: AXI4 Memory Mapped Write Address Interface Signals**

Signal Name	Direction	Description
m_axi_awaddr [AXI_ADR_WIDTH-1:0]	Output	This signal is the address for a memory mapped write to the user logic from the DMA.
m_axi_awid [ID_WIDTH-1:0]	Output	Master write address ID.
m_axi_awlen[7:0]	Output	Master write address length.
m_axi_awsz[2:0]	Output	Master write address size.
m_axi_awburst[1:0]	Output	Master write address burst type.
m_axi_awprot[2:0]	Output	3'h0
m_axi_awvalid	Output	The assertion of this signal means there is a valid write request to the address on m_axi_araddr.
m_axi_awready	Input	Master write address ready.
m_axi_awlock	Output	1'b0
m_axi_awcache[3:0]	Output	4'h0

**Table 2-19: AXI4 Memory Mapped Write Interface Signals**

Signal Name	Direction	Description
m_axi_wdata [DATA_WIDTH-1:0]	Output	Master write data.
m_axi_wlast	Output	Master write last.
m_axi_wstrb	Output	Master write strobe.
m_axi_wvalid	Output	Master write valid.
m_axi_wready	Input	Master write ready.
m_axi_wuser	Output	Parity ports for read interface. This port is enabled only in Propagate Parity mode.

**Table 2-20: AXI4 Memory Mapped Write Response Interface Signals**

Signal Name	Direction	Description
m_axi_bvalid	Input	Master write response valid.
m_axi_bresp[1:0]	Input	Master write response.

**Table 2-20: AXI4 Memory Mapped Write Response Interface Signals (Cont'd)**

Signal Name	Direction	Description
m_axi_bid [ID_WIDTH-1:0]	Input	Master response ID.
m_axi_bready	Output	Master response ready.

**Table 2-21: AXI4 Memory Mapped Master Bypass Read Address Interface Signals**

Signal Name	Direction	Description
m_axib_araddr [AXI_ADR_WIDTH-1:0]	Output	This signal is the address for a memory mapped read to the user logic from the host.
m_axib_arid [ID_WIDTH-1:0]	Output	Master read address ID.
m_axib_arlen[7:0]	Output	Master read address length.
m_axib_arsize[2:0]	Output	Master read address size.
m_axib_arprot[2:0]	Output	3'h0
m_axib_arvalid	Output	The assertion of this signal means there is a valid read request to the address on m_axib_araddr.
m_axib_arready	Input	Master read address ready.
m_axib_arlock	Output	1'b0
m_axib_arcache[3:0]	Output	4'h0
m_axib_arburst	Output	Master read address burst type.

**Table 2-22: AXI4 Memory Mapped Master Bypass Read Interface Signals**

Signal Name	Direction	Description
m_axib_rdata [DATA_WIDTH-1:0]	Input	Master read data.
m_axib_rid [ID_WIDTH-1:0]	Input	Master read ID.
m_axib_rresp[1:0]	Input	Master read response.
m_axib_rlast	Input	Master read last.
m_axib_rvalid	Input	Master read valid.
m_axib_rready	Output	Master read ready.
m_axib_ruser	Input	Parity ports for read interface. This port is enabled only in Propagate Parity mode.

**Table 2-23: AXI4 Memory Mapped Master Bypass Write Address Interface Signals**

Signal Name	Direction	Description
m_axib_awaddr [AXI_ADR_WIDTH-1:0]	Output	This signal is the address for a memory mapped write to the user logic from the host.
m_axib_awid [ID_WIDTH-1:0]	Output	Master write address ID.
m_axib_awlen[7:0]	Output	Master write address length.
m_axib_awsz[2:0]	Output	Master write address size.
m_axib_awburst[1:0]	Output	Master write address burst type.
m_axib_awprot[2:0]	Output	3'h0
m_axib_awvalid	Output	The assertion of this signal means there is a valid write request to the address on m_axib_araddr.
m_axib_awready	Input	Master write address ready.
m_axib_awlock	Output	1'b0
m_axib_awcache[3:0]	Output	4'h0

**Table 2-24: AXI4 Memory Mapped Master Bypass Write Interface Signals**

Signal Name	Direction	Description
m_axib_wdata [DATA_WIDTH-1:0]	Output	Master write data.
m_axib_wlast	Output	Master write last.
m_axib_wstrb	Output	Master write strobe.
m_axib_wvalid	Output	Master write valid.
m_axib_wready	Input	Master write ready.
m_axi_wuser	Output	Parity ports for read interface. This port is enabled only in Propagate Parity mode.

**Table 2-25: AXI4 Memory Mapped Master Bypass Write Response Interface Signals**

Signal Name	Direction	Description
m_axib_bvalid	Input	Master write response valid.
m_axib_bresp[1:0]	Input	Master write response.
m_axib_bid [ID_WIDTH-1:0]	Input	Master write response ID.
m_axib_bready	Output	Master response ready.

**Table 2-26: Config AXI4-Lite Memory Mapped Write Master Interface Signals**

Signal Name	Direction	Description
m_axil_awaddr[31:0]	Output	This signal is the address for a memory mapped write to the user logic from the host.
m_axil_awprot[2:0]	Output	3'h0

**Table 2-26: Config AXI4-Lite Memory Mapped Write Master Interface Signals (Cont'd)**

Signal Name	Direction	Description
m_axil_awvalid	Output	The assertion of this signal means there is a valid write request to the address on m_axil_awaddr.
m_axil_awready	Input	Master write address ready.
m_axil_wdata[31:0]	Output	Master write data.
m_axil_wstrb	Output	Master write strobe.
m_axil_wvalid	Output	Master write valid.
m_axil_wready	Input	Master write ready.
m_axil_bvalid	Input	Master response valid.
m_axil_bready	Output	Master response valid.

**Table 2-27: Config AXI4-Lite Memory Mapped Read Master Interface Signals**

Signal Name	Direction	Description
m_axil_araddr[31:0]	Output	This signal is the address for a memory mapped read to the user logic from the host.
m_axil_arprot[2:0]	Output	3'h0
m_axil_arvalid	Output	The assertion of this signal means there is a valid read request to the address on m_axil_araddr.
m_axil_arready	Input	Master read address ready.
m_axil_rdata[31:0]	Input	Master read data.
m_axil_rresp	Input	Master read response.
m_axil_rvalid	Input	Master read valid.
m_axil_rready	Output	Master read ready.

**Table 2-28: Config AXI4-Lite Memory Mapped Write Slave Interface Signals**

Signal Name	Direction	Description
s_axil_awaddr[31:0]	Input	This signal is the address for a memory mapped write to the DMA from the user logic.
s_axil_awvalid	Input	The assertion of this signal means there is a valid write request to the address on s_axil_awaddr.
s_axil_awprot[2:0]	Input	Unused
s_axil_awready	Output	Slave write address ready.
s_axil_wdata[31:0]	Input	Slave write data.
s_axil_wstrb	Input	Slave write strobe.
s_axil_wvalid	Input	Slave write valid.
s_axil_wready	Output	Slave write ready.
s_axil_bvalid	Output	Slave write response valid.
s_axil_bready	Input	Save response ready.

Table 2-29: Config AXI4-Lite Memory Mapped Read Slave Interface Signals

Signal Name	Direction	Description
s_axil_araddr[31:0]	Input	This signal is the address for a memory mapped read to the DMA from the user logic.
s_axil_arprot[2:0]	Input	Unused
s_axil_arvalid	Input	The assertion of this signal means there is a valid read request to the address on s_axil_araddr.
s_axil_arready	Output	Slave read address ready.
s_axil_rdata[31:0]	Output	Slave read data.
s_axil_rresp	Output	Slave read response.
s_axil_rvalid	Output	Slave read valid.
s_axil_rready	Input	Slave read ready.

Table 2-30: Interrupt Interface

Signal Name	Direction	Description
usr_irq_req[NUM_USR_IRQ-1:0]	Input	Assert to generate an interrupt. Maintain assertion until interrupt is serviced.
usr_irq_ack[NUM_USR_IRQ-1:0]	Output	Indicates that the interrupt has been sent on PCIe. Two acks are generated for legacy interrupts. One ack is generated for MSI interrupts.

Table 2-31: Channel 0-3 Status Ports

Signal Name	Direction	Description
h2c_sts [7:0]	Output	Status bits for each channel. Bit: 6: Control register 'Run' bit ( <a href="#">Table 2-40</a> ) 5: IRQ event pending 4: Packet Done event (AXI4-Stream) 3: Descriptor Done event. Pulses for one cycle for each descriptor that is completed, regardless of the Descriptor.Completed field 2: Status register Descriptor_stop bit 1: Status register Descriptor_completed bit 0: Status register busy bit
c2h_sts [7:0]	Output	Status bits for each channel. Bit: 6: Control register 'Run' bit ( <a href="#">Table 2-59</a> ) 5: IRQ event pending 4: Packet Done event (AXI4-Stream) 3: Descriptor Done event. Pulses for one cycle for each descriptor that is completed, regardless of the Descriptor.Completed field 2: Status register Descriptor_stop bit 1: Status register Descriptor_completed bit 0: Status register busy bit



## Configuration Extend Interface

The Configuration Extend interface allows the core to transfer configuration information with the user application when externally implemented configuration registers are implemented. Table 2-32 defines the ports in the Configuration Extend interface of the core.

Table 2-32: Configuration Extend Interface Port Descriptions

Port	Direction	Width	Description
cfg_ext_read_received	Output	1	Configuration Extend Read Received The core asserts this output when it has received a configuration read request from the link. When neither user-implemented legacy or extended configuration space is enabled, receipt of a configuration read results in a one-cycle assertion of this signal, together with valid <code>cfg_ext_register_number</code> and <code>cfg_ext_function_number</code> . When user-implemented legacy, extended configuration space, or both are enabled, for the <code>cfg_ext_register_number</code> ranges, <code>0x10-0x1f</code> or <code>0x100-0x3ff</code> , respectively, this signal is asserted, until user logic presents <code>cfg_ext_read_data</code> and <code>cfg_ext_read_data_valid</code> . For <code>cfg_ext_register_number</code> ranges outside <code>0x10-0x1f</code> or <code>0x100-0x3ff</code> , receipt of a configuration read always results in a one-cycle assertion of this signal.
cfg_ext_write_received	Output	1	Configuration Extend Write Received The core generates a one-cycle pulse on this output when it has received a configuration write request from the link.
cfg_ext_register_number	Output	10	Configuration Extend Register Number The 10-bit address of the configuration register being read or written. The data is valid when <code>cfg_ext_read_received</code> or <code>cfg_ext_write_received</code> is High.
cfg_ext_function_number	Output	8	Configuration Extend Function Number The 8-bit function number corresponding to the configuration read or write request. The data is valid when <code>cfg_ext_read_received</code> or <code>cfg_ext_write_received</code> is High.
cfg_ext_write_data	Output	32	Configuration Extend Write Data Data being written into a configuration register. This output is valid when <code>cfg_ext_write_received</code> is High.
cfg_ext_write_byte_enable	Output	4	Configuration Extend Write Byte Enable Byte enables for a configuration write transaction.

Table 2-32: Configuration Extend Interface Port Descriptions (Cont'd)

Port	Direction	Width	Description
cfg_ext_read_data	Input	32	Configuration Extend Read Data You can provide data from an externally implemented configuration register to the core through this bus. The core samples this data on the next positive edge of the clock after it sets <code>cfg_ext_read_received</code> High, if you have set <code>cfg_ext_read_data_valid</code> .
cfg_ext_read_data_valid	Input	1	Configuration Extend Read Data Valid The user application asserts this input to the core to supply data from an externally implemented configuration register. The core samples this input data on the next positive edge of the clock after it sets <code>cfg_ext_read_received</code> High.

## Descriptor Bypass Mode

If Descriptor Bypass for Read (H2C) or Descriptor Bypass for Write (C2H) are selected, these ports are present. Here is the instruction for selecting Descriptor bypass option.

In the [PCIe DMA Tab](#), select either **Descriptor Bypass for Read (H2C)** or **Descriptor Bypass for Write (C2H)**. Each binary bit correspond to channel. LSB correspond to Channel 0. Value 1 in bit positions means corresponding channel descriptor bypass enabled.

Table 2-33: H2C 0-3 Descriptor Bypass Port

Port	Direction	Description
h2c_dsc_byp_ready	Output	Channel is ready to accept new descriptors. After h2c_dsc_byp_ready is deasserted, one additional descriptor can be written. The Control register 'Run' bit ( <a href="#">Table 2-40</a> ) must be asserted before the channel accepts descriptors.
h2c_dsc_byp_load	Input	Write the descriptor presented at h2c_dsc_byp_data into the channel's descriptor buffer.
h2c_dsc_byp_src_addr	Input	Descriptor source address to be loaded
h2c_dsc_byp_dst_addr[63:0]	Input	Descriptor destination address to be loaded
h2c_dsc_byp_len[27:0]	Input	Descriptor length to be loaded
h2c_dsc_byp_ctl[15:0]	Input	Descriptor control to be loaded

Table 2-34: C2H 0-3 Descriptor Bypass Ports

Port	Direction	Description
c2h_dsc_byp_ready	Output	Channel is ready to accept new descriptors. After c2h_dsc_byp_ready is deasserted, one additional descriptor can be written. The Control register 'Run' bit ( <a href="#">Table 2-59</a> ) must be asserted before the channel accepts descriptors.
c2h_dsc_byp_load	Input	Descriptor presented at c2h_dsc_byp_* is valid.
c2h_dsc_byp_src_addr[63:0]	Input	Descriptor source address to be loaded.
c2h_dsc_byp_dst_addr[63:0]	Input	Descriptor destination address to be loaded.
c2h_dsc_byp_len[27:0]	Input	Descriptor length to be loaded.
c2h_dsc_byp_ctl[15:0]	Input	Descriptor control to be loaded.

## Register Space

Configuration and status registers internal to the DMA Subsystem for PCIe and those in the user logic can be accessed from the host through mapping the read or write request to a Base Address Register (BAR). Based on the BAR hit, the request is routed to the appropriate location. For PCIe BAR assignments, see [Table 2-1](#) and [Table 2-2](#).

### PCIe to AXI-Lite Master (BAR0) Address Map

Transactions that hit the PCIe to AXI-Lite Master are routed to the AXI4-Lite Memory Mapped user interface. This interface supports 32 bits of address space and 32-bit read and write requests. The PCIe to AXI-Lite Master address map is defined by the user logic.

### PCIe to DMA (BAR1) Address Map

Transactions that hit the PCIe to DMA space are routed to the DMA Subsystem for the PCIe internal configuration register bus. This bus supports 32 bits of address space and 32-bit read and write requests.

DMA Subsystem for PCIe registers can be accessed from the host or from the AXI-Lite Slave interface. These registers should be used for programming the DMA and checking status.

#### PCIe to DMA Address Format

Table 2-35: PCIe to DMA Address Format

31:16	15:12	11:8	7:0
Reserved	Target	Channel	Byte Offset

Table 2-36: PCIe to DMA Address Field Descriptions

Bit Index	Field	Description
15:12	Target	The destination submodule within the DMA 4'h0: H2C Channels 4'h1: C2H Channels 4'h2: IRQ Block 4'h3: Config 4'h4: H2C SGDMA 4'h5: C2H SGDMA 4'h6: SGDMA Common 4'h8: MSI-X
11:8	Channel ID[3:0]	For H2C and C2H targets (0x0-0x1, 0x4-0x5), this field indicates which engine is being addressed. For all other targets this field must be 0.
7:0	Byte Offset	The byte address of the register to be accessed within the target. Bits[1:0] must be 0.

## PCIe to DMA Configuration Registers

Table 2-37: Configuration Register Attribute Definitions

Attribute	Description
RV	Reserved
RW	Read/Write
RC	Clear on Read.
W1C	Write 1 to Clear
W1S	Write 1 to Set
RO	Read Only
WO	Write Only

Some registers can be accessed with different attributes. In such cases different register offsets are provided for each attribute. Undefined bits and address space is reserved.

In some registers, individual bits in a vector might represent a specific DMA engine. In such cases the LSBs of the vectors correspond to the H2C channel (if any). Channel ID 0 is in the LSB position. Bits representing the C2H channels are packed just above them.

### H2C Channel Register Space (0x0)

The H2C channel register space is described in this section.

Table 2-38: H2C Channel Register Space

Address (hex)	Register Name
0x00	<a href="#">H2C Channel Identifier (0x00)</a>
0x04	<a href="#">H2C Channel Control (0x04)</a>
0x08	<a href="#">H2C Channel Control (0x08)</a>
0x0C	<a href="#">H2C Channel Control (0x0C)</a>
0x40	<a href="#">H2C Channel Status (0x40)</a>
0x44	<a href="#">H2C Channel Status (0x44)</a>
0x48	<a href="#">H2C Channel Completed Descriptor Count (0x48)</a>
0x4C	<a href="#">H2C Channel Alignments (0x4C)</a>
0x88	<a href="#">H2C Poll Mode Low Write Back Address (0x88)</a>
0x8C	<a href="#">H2C Poll Mode High Write Back Address (0x8C)</a>
0x90	<a href="#">H2C Channel Interrupt Enable Mask (0x90)</a>
0x94	<a href="#">H2C Channel Interrupt Enable Mask (0x94)</a>
0x98	<a href="#">H2C Channel Interrupt Enable Mask (0x98)</a>
0xC0	<a href="#">H2C Channel Performance Monitor Control (0xC0)</a>

Table 2-38: H2C Channel Register Space (Cont'd)

Address (hex)	Register Name
0xC4	H2C Channel Performance Cycle Count (0xC4)
0xC8	H2C Channel Performance Cycle Count (0xC8)
0xCC	H2C Channel Performance Data Count (0xCC)
0xD0	H2C Channel Performance Data Count (0xD0)

Table 2-39: H2C Channel Identifier (0x00)

Bit Index	Default Value	Access Type	Description
31:20	12'h1fc	RO	DMA Subsystem for PCIe identifier
19:16	4'h0	RO	H2C Channel Target
15	1'b0	RO	Stream 1: AXI4-Stream Interface 0: Memory Mapped AXI4 Interface
14:12	0	RO	Reserved
11:8	Varies	RO	Channel ID Target [3:0]
7:0	8'h04	RO	Version 8'h01: 2015.3 and 2015.4 8'h02: 2016.1 8'h03: 2016.2 8'h04: 2016.3 8'h05: 2016.4 8'h06: 2017.1

Table 2-40: H2C Channel Control (0x04)

Bit Index	Default	Access Type	Description
31:27			Reserved
27	1'b0	RW	When set write back information for C2H in AXI-Stream mode is disabled, default write back is enabled.
26	0x0	RW	pollmode_wb_enable Poll mode writeback enable. When this bit is set the DMA writes back the completed descriptor count when a descriptor with the Completed bit set, is completed.
25	1'b0	RW	non_inc_mode Non-incrementing address mode. Applies to m_axi_araddr interface only.
23:19	5'h0	RW	ie_desc_error Set to all 1s (0x1F) to enable logging of Status.Desc_error and to stop the engine if the error is detected.
18:14	5'h0	RW	ie_write_error Set to all 1s (0x1F) to enable logging of Status.Write_error and to stop the engine if the error is detected.

Table 2-40: H2C Channel Control (0x04) (Cont'd)

Bit Index	Default	Access Type	Description
13:9	5'h0	RW	ie_read_error Set to all 1s (0x1F) to enable logging of Status.Read_error and to stop the engine if the error is detected.
8:7			Reserved
6	1'b0	RW	ie_idle_stopped Set to 1 to enable logging of Status.Idle_stopped
5	1'b0	RW	ie_invalid_length Set to 1 to enable logging of Status.Invalid_length
4	1'b0	RW	ie_magic_stopped Set to 1 to enable logging of Status.Magic_stopped
3	1'b0	RW	ie_align_mismatch Set to 1 to enable logging of Status.Align_mismatch
2	1'b0	RW	ie_descriptor_completed Set to 1 to enable logging of Status.Descriptor_completed
1	1'b0	RW	ie_descriptor_stopped Set to 1 to enable logging of Status.Descriptor_stopped
0	1'b0	RW	Run Set to 1 to start the SGDMA engine. Reset to 0 to stop transfer; if the engine is busy it completes the current descriptor.

**Notes:**

- ie\_\* register bits are interrupt enabled. When this condition is met and proper interrupt masks (Table 2-49) are set interrupt will be generated.

Table 2-41: H2C Channel Control (0x08)

Bit Index	Default	Access Type	Description
26:0		W1S	Control Bit descriptions are the same as in Table 2-40.

Table 2-42: H2C Channel Control (0x0C)

Bit Index	Default	Access Type	Description
26:0		W1C	Control Bit descriptions are the same as in Table 2-40.

Table 2-43: H2C Channel Status (0x40)

Bit Index	Default	Access Type	Description
23:19	5'h0	RW1C	descr_error[4:0] Reset (0) on setting the Control register Run bit. 4: Unexpected completion 3: Header EP 2: Parity error 1: Completer abort 0: Unsupported request
18:14	5'h0	RW1C	write_error[4:0] Reset (0) on setting the Control register Run bit. Bit position: 4-2: Reserved 1: Slave error 0: Decode error
13:9	5'h0	RW1C	read_error[4:0] Reset (0) on setting the Control register Run bit. Bit position 4: Unexpected completion 3: Header EP 2: Parity error 1: Completer abort 0: Unsupported request
6	1'b0	RW1C	idle_stopped Reset (0) on setting the Control register Run bit. Set when the engine is idle after resetting the Control register Run bit if the Control register ie_idle_stopped bit is set.
5	1'b0	RW1C	invalid_length Reset on setting the Control register Run bit. Set when the descriptor length is not a multiple of the data width of an AXI4-Stream channel and the Control register ie_invalid_length bit is set.
4	1'b0	RW1C	magic_stopped Reset on setting the Control register Run bit. Set when the engine encounters a descriptor with invalid magic and stopped if the Control register ie_magic_stopped bit is set.
3	1'b0	RW1C	align_mismatch Source and destination address on descriptor are not properly aligned to each other.
2	1'b0	RW1C	descriptor_completed Reset on setting the Control register Run bit. Set after the engine has completed a descriptor with the COMPLETE bit set if the Control register ie_descriptor_stopped bit is set.



Table 2-43: H2C Channel Status (0x40) (Cont'd)

Bit Index	Default	Access Type	Description
1	1'b0	RW1C	descriptor_stopped Reset on setting Control register Run bit. Set after the engine completed a descriptor with the STOP bit set if the Control register ie_descriptor_stopped bit is set.
0	1'b0	RO	Busy Set if the SGDMA engine is busy. Zero when it is idle.

Table 2-44: H2C Channel Status (0x44)

Bit Index	Default	Access Type	Description
23:1		RC	Status Clear on Read. Bit description is the same as in <a href="#">Table 2-43</a> . Bit 0 cannot be cleared.

Table 2-45: H2C Channel Completed Descriptor Count (0x48)

Bit Index	Default	Access Type	Description
31:0	32'h0	RO	compl_descriptor_count The number of competed descriptors update by the engine after completing each descriptor in the list. Reset to 0 on rising edge of Control register Run bit ( <a href="#">Table 2-40</a> ).

Table 2-46: H2C Channel Alignments (0x4C)

Bit Index	Default	Access Type	Description
23:16	Configuration based	RO	addr_alignment The byte alignment that the source and destination addresses must align to. This value is dependent on configuration parameters.
15:8	Configuration based	RO	len_granularity The minimum granularity of DMA transfers in bytes.
7:0	Configuration based	RO	address_bits The number of address bits configured.

Table 2-47: H2C Poll Mode Low Write Back Address (0x88)

Bit Index	Default	Access Type	Description
31:0	0x0	RW	Pollmode_lo_wb_addr[31:0] Lower 32 bits of the poll mode writeback address.

Table 2-48: H2C Poll Mode High Write Back Address (0x8C)

Bit Index	Default	Access Type	Description
31:0	0x0	RW	Pollmode_hi_wb_addr[63:32] Upper 32 bits of the poll mode writeback address.

Table 2-49: H2C Channel Interrupt Enable Mask (0x90)

Bit Index	Default	Access Type	Description
23:19	5'h0	RW	im_desc_error[4:0] Set to 1 to interrupt when corresponding status register read_error bit is logged.
18:14	5'h0	RW	im_write_error[4:0] set to 1 to interrupt when corresponding status register write_error bit is logged.
13:9	5'h0	RW	im_read_error[4:0] set to 1 to interrupt when corresponding status register read_error bit is logged.
6	1'b0	RW	im_idle_stopped Set to 1 to interrupt when the status register idle_stopped bit is logged.
5	1'b0	RW	im_invalid_length Set to 1 to interrupt when status register align_mismatch bit is logged.
4	1'b0	RW	im_magic_stopped set to 1 to interrupt when status register magic_stopped bit is logged.
3	1'b0	RW	im_align_mismatch set to 1 to interrupt when status register align_mismatch bit is logged.
2	1'b0	RW	im_descriptor_completd set to 1 to interrupt when status register descriptor_completed bit is logged.
1	1'b0	RW	im_descriptor_stopped set to 1 to interrupt when status register descriptor_stopped bit is logged.

Table 2-50: H2C Channel Interrupt Enable Mask (0x94)

Bit Index	Default	Access Type	Description
		W1S	Interrupt Enable Mask

Table 2-51: H2C Channel Interrupt Enable Mask (0x98)

Bit Index	Default	Access Type	Description
		W1C	Interrupt Enable Mask

Table 2-52: H2C Channel Performance Monitor Control (0xC0)

Bit Index	Default	Access Type	Description
2	1'b0	RW	Run Set to 1 to arm performance counters. Counter starts after the Control register Run bit is set. Set to 0 to halt performance counters.
1	1'b0	WO	Clear Write 1 to clear performance counters.
0	1'b0	RW	Auto Automatically stop performance counters when a descriptor with the stop bit is completed. Automatically clear performance counters when the Control register Run bit is set. Writing 1 to the Performance Monitor Control register Run bit is still required to start the counters.

Table 2-53: H2C Channel Performance Cycle Count (0xC8)

Bit Index	Default	Access Type	Description
16	1'b0	RO	pmon_cyc_count_maxed Cycle count maximum was hit.
9:0	10'h0	RO	pmon_cyc_count [41:32] Increments once per clock while running. See the Performance Monitor Control register (0xC0) bits Clear and Auto for clearing.

Table 2-54: H2C Channel Performance Cycle Count (0xC4)

Bit Index	Default	Access Type	Description
31:0	32'h0	RO	pmon_cyc_count[31:0] Increments once per clock while running. See the Performance Monitor Control register (0xC0) bits Clear and Auto for clearing.

Table 2-55: H2C Channel Performance Data Count (0xD0)

Bit Index	Default	Access Type	Description
16	1'b0	RO	pmon_dat_count_maxed Data count maximum was hit
9:0	10'h0	RO	pmon_dat_count [41:32] Increments for each valid read data beat while running. See the Performance Monitor Control register (0xC0) bits Clear and Auto for clearing.

Table 2-56: H2C Channel Performance Data Count (0xCC)

Bit Index	Default	Access Type	Description
31:0	32'h0	RO	pmon_dat_count[31:0] Increments for each valid read data beat while running. See the Performance Monitor Control register (0xC0) bits Clear and Auto for clearing.

## C2H Channel Registers (0x1)

The C2H channel register space is described in this section.

Table 2-57: C2H Channel Register Space

Address (hex)	Register Name
0x00	C2H Channel Identifier (0x00)
0x04	C2H Channel Control (0x04)
0x08	C2H Channel Control (0x08)
0x0C	C2H Channel Control (0x0C)
0x40	C2H Channel Status (0x40)
0x44	C2H Channel Status (0x44)
0x48	C2H Channel Completed Descriptor Count (0x48)
0x4C	C2H Channel Alignments (0x4C)
0x88	C2H Poll Mode Low Write Back Address (0x88)
0x8C	C2H Poll Mode High Write Back Address (0x8C)
0x90	C2H Channel Interrupt Enable Mask (0x90)
0x94	C2H Channel Interrupt Enable Mask (0x94)
0x98	C2H Channel Interrupt Enable Mask (0x98)
0xC0	C2H Channel Performance Monitor Control (0xC0)
0xC4	C2H Channel Performance Cycle Count (0xC4)
0xC8	C2H Channel Performance Cycle Count (0xC8)
0xCC	C2H Channel Performance Data Count (0xCC)
0xD0	C2H Channel Performance Data Count (0xD0)

Table 2-58: C2H Channel Identifier (0x00)

Bit Index	Default	Access Type	Description
31:20	12'h1fc	RO	DMA Subsystem for PCIe identifier
19:16	4'h1	RO	C2H Channel Target
15	1'b0	RO	Stream 1: AXI4-Stream Interface 0: Memory Mapped AXI4 Interface

Table 2-58: C2H Channel Identifier (0x00) (Cont'd)

Bit Index	Default	Access Type	Description
14:12	0	RO	Reserved
11:8	Varies	RO	Channel ID Target [3:0]
7:0	8'h04	RO	Version 8'h01: 2015.3 and 2015.4 8'h02: 2016.1 8'h03: 2016.2 8'h04: 2016.3 8'h05: 2016.4 8'h06: 2017.1

Table 2-59: C2H Channel Control (0x04)

Bit Index	Default	Access Type	Description
27	0x0	RW	Disables the metadata writeback for C2H AXI4-Stream. No effect if the channel is configured to use AXI Memory Mapped.
26	0x0	RW	pollmode_wb_enable Poll mode writeback enable. When this bit is set, the DMA writes back the completed descriptor count when a descriptor with the Completed bit set, is completed.
25	1'b0	RW	non_inc_mode Non-incrementing address mode. Applies to m_axi_araddr interface only.
23:19	5'h0	RW	ie_desc_error Set to all 1s (0x1F) to enable logging of Status.Desc_error and to stop the engine if the error is detected.
13:9	5'h0	RW	ie_read_error Set to all 1s (0x1F) to enable logging of Status.Read_error and to stop the engine if the error is detected
6	1'b0	RW	ie_idle_stopped Set to 1 to enable logging of Status.Idle_stopped
5	1'b0	RW	ie_invalid_length Set to 1 to enable logging of Status.Invalid_length
4	1'b0	RW	ie_magic_stopped Set to 1 to enable logging of Status.Magic_stopped
3	1'b0	RW	ie_align_mismatch Set to 1 to enable logging of Status.Align_mismatch
2	1'b0	RW	ie_descriptor_completed Set to 1 to enable logging of Status.Descriptor_completed

Table 2-59: C2H Channel Control (0x04) (Cont'd)

Bit Index	Default	Access Type	Description
1	1'b0	RW	ie_descriptor_stopped Set to 1 to enable logging of Status.Descriptor_stopped
0	1'b0	RW	Run Set to 1 to start the SGDMA engine. Reset to 0 to stop the transfer, if the engine is busy it completes the current descriptor.

Table 2-60: C2H Channel Control (0x08)

Bit Index	Default	Access Type	Description
		W1S	Control Bit descriptions are the same as in <a href="#">Table 2-59</a> .

Table 2-61: C2H Channel Control (0x0C)

Bit Index	Default	Access Type	Description
		W1C	Control Bit descriptions are the same as in <a href="#">Table 2-59</a> .

Table 2-62: C2H Channel Status (0x40)

Bit Index	Default	Access Type	Description
23:19	5'h0	RW1C	descr_error[4:0] Reset (0) on setting the Control register Run bit. Bit position: 4: Unexpected completion 3: Header EP 2: Parity error 1: Completer abort 0: Unsupported request
13:9	5'h0	RW1C	read_error[4:0] Reset (0) on setting the Control register Run bit. Bit position: 4-2: Reserved 1: Slave error 0: Decode error
6	1'b0	RW1C	idle_stopped Reset (0) on setting the Control register Run bit. Set when the engine is idle after resetting the Control register Run bit if the Control register ie_idle_stopped bit is set.
5	1'b0	RW1C	invalid_length Reset on setting the Control register Run bit. Set when the descriptor length is not a multiple of the data width of an AXI4-Stream channel and the Control register ie_invalid_length bit is set.

Table 2-62: C2H Channel Status (0x40) (Cont'd)

Bit Index	Default	Access Type	Description
4	1'b0	RW1C	magic_stopped Reset on setting the Control register Run bit. Set when the engine encounters a descriptor with invalid magic and stopped if the Control register ie_magic_stopped bit is set.
3	13'b0	RW1C	align_mismatch Source and destination address on descriptor are not properly aligned to each other.
2	1'b0	RW1C	descriptor_completed Reset on setting the Control register Run bit. Set after the engine has completed a descriptor with the COMPLETE bit set if the Control register ie_descriptor_completed bit is set.
1	1'b0	RW1C	descriptor_stopped Reset on setting the Control register Run bit. Set after the engine completed a descriptor with the STOP bit set if the Control register ie_magic_stopped bit is set.
0	1'b0	RO	Busy Set if the SGDMA engine is busy. Zero when it is idle.

Table 2-63: C2H Channel Status (0x44)

Bit Index	Default	Access Type	Description
23:1		RC	Status Bit descriptions are the same as in <a href="#">Table 2-62</a> .

Table 2-64: C2H Channel Completed Descriptor Count (0x48)

Bit Index	Default	Access Type	Description
31:0	32'h0	RO	compl_descriptor_count The number of completed descriptors update by the engine after completing each descriptor in the list. Reset to 0 on rising edge of Control register, run bit ( <a href="#">Table 2-59</a> ).

Table 2-65: C2H Channel Alignments (0x4C)

Bit Index	Default	Access Type	Description
23:16	varies	RO	addr_alignment The byte alignment that the source and destination addresses must align to. This value is dependent on configuration parameters.
15:8	Varies	RO	len_granularity The minimum granularity of DMA transfers in bytes.
7:0	ADDR_BITS	RO	address_bits The number of address bits configured.

Table 2-66: C2H Poll Mode Low Write Back Address (0x88)

Bit Index	Default	Access Type	Description
31:0	0x0	RW	Pollmode_lo_wb_addr[31:0] Lower 32 bits of the poll mode writeback address.

Table 2-67: C2H Poll Mode High Write Back Address (0x8C)

Bit Index	Default	Access Type	Description
31:0	0x0	RW	Pollmode_hi_wb_addr[63:32] Upper 32 bits of the poll mode writeback address.

Table 2-68: C2H Channel Interrupt Enable Mask (0x90)

Bit Index	Default	Access Type	Description
23:19	5'h0	RW	im_desc_error[4:0] set to 1 to interrupt when corresponding Status.Read_Error is logged.
13:9	5'h0	RW	im_read_error[4:0] set to 1 to interrupt when corresponding Status.Read_Error is logged.
6	1'b0	RW	im_idle_stopped set to 1 to interrupt when the Status.Idle_stopped is logged.
4	1'b0	RW	im_magic_stopped set to 1 to interrupt when Status.Magic_stopped is logged.
2	1'b0	RW	im_descriptor_completd set to 1 to interrupt when Status.Descriptor_completed is logged.
1	1'b0	RW	im_descriptor_stopped set to 1 to interrupt when Status.Descriptor_stopped is logged.

Table 2-69: C2H Channel Interrupt Enable Mask (0x94)

Bit Index	Default	Access Type	Description
		W1S	Interrupt Enable Mask Bit descriptions are the same as in <a href="#">Table 2-68</a> .

Table 2-70: C2H Channel Interrupt Enable Mask (0x98)

Bit Index	Default	Access Type	Description
		W1C	Interrupt Enable Mask Bit Descriptions are the same as in <a href="#">Table 2-68</a> .



Table 2-71: C2H Channel Performance Monitor Control (0xC0)

Bit Index	Default	Access Type	Description
2	1'b0	RW	Run Set to 1 to arm performance counters. Counter starts after the Control register Run bit is set. Set to 0 to halt performance counters.
1	1'b0	WO	Clear Write 1 to clear performance counters.
0	1'b0	RW	Auto Automatically stop performance counters when a descriptor with the stop bit is completed. Automatically clear performance counters when the Control register Run bit is set. Writing 1 to the Performance Monitor Control register Run bit is still required to start the counters.

Table 2-72: C2H Channel Performance Cycle Count (0xC4)

Bit Index	Default	Access Type	Description
31:0	32'h0	RO	pmon_cyc_count[31:0] Increments once per clock while running. See the Performance Monitor Control register (0xC0) bits Clear and Auto for clearing.

Table 2-73: C2H Channel Performance Cycle Count (0xC8)

Bit Index	Default	Access Type	Description
16	1'b0	RO	pmon_cyc_count_maxed Cycle count maximum was hit.
9:0	10'h0	RO	pmon_cyc_count [41:32] Increments once per clock while running. See the Performance Monitor Control register (0xC0) bits Clear and Auto for clearing.

Table 2-74: C2H Channel Performance Data Count (0xCC)

Bit Index	Default	Access Type	Description
31:0	32'h0	RO	pmon_dat_count[31:0] Increments for each valid read data beat while running. See the Performance Monitor Control register (0xC0) bits Clear and Auto for clearing.

Table 2-75: C2H Channel Performance Data Count (0xD0)

Bit Index	Default	Access Type	Description
16	1'b0	RO	pmon_dat_count_maxed Data count maximum was hit
9:0	10'h0	RO	pmon_dat_count [41:32] Increments for each valid read data beat while running. See the Performance Monitor Control register (0xC0) bits Clear and Auto for clearing.

### IRQ Block Registers (0x2)

The IRQ Block registers are described in this section.

Table 2-76: IRQ Block Register Space

Address (hex)	Register Name
0x00	IRQ Block Identifier (0x00)
0x04	IRQ Block User Interrupt Enable Mask (0x04)
0x08	IRQ Block User Interrupt Enable Mask (0x08)
0x0C	IRQ Block User Interrupt Enable Mask (0x0C)
0x10	IRQ Block Channel Interrupt Enable Mask (0x10)
0x14	IRQ Block Channel Interrupt Enable Mask (0x14)
0x18	IRQ Block Channel Interrupt Enable Mask (0x18)
0x40	IRQ Block User Interrupt Request (0x40)
0x44	IRQ Block Channel Interrupt Request (0x44)
0x48	IRQ Block User Interrupt Pending (0x48)
0x4C	IRQ Block Interrupt Pending (0x4C)
0x80	IRQ Block User Vector Number (0x80)
0x84	IRQ Block User Vector Number (0x84)
0x88	IRQ Block User Vector Number (0x88)
0x8C	IRQ Block User Vector Number (0x8C)
0xA0	IRQ Block Channel Vector Number (0xA0)
0xA4	IRQ Block Channel Vector Number (0xA4)

Table 2-77: IRQ Block Identifier (0x00)

Bit Index	Default	Access Type	Description
31:20	12'h1fc	RO	DMA Subsystem for PCIe identifier
19:16	4'h2	RO	IRQ Identifier

Table 2-77: IRQ Block Identifier (0x00) (Cont'd)

Bit Index	Default	Access Type	Description
15:8	8'h0	RO	Reserved
7:0	8'h04	RO	Version 8'h01: 2015.3 and 2015.4 8'h02: 2016.1 8'h03: 2016.2 8'h04: 2016.3 8'h05: 2016.4 8'h06: 2017.1

Table 2-78: IRQ Block User Interrupt Enable Mask (0x04)

Bit Index	Default	Access Type	Description
[NUM_USR_INT-1:0]	AXI Bridge Functional Mode: {NUM_USR_INT}'b1 DMA Functional Mode: 'h0	RW	user_int_enmask User Interrupt Enable Mask 0: Prevents an interrupt from being generated when the user interrupt source is asserted. 1: Generates an interrupt on the rising edge of the user interrupt source. If the Enable Mask is set and the source is already set, a user interrupt will be generated also.

Table 2-79: IRQ Block User Interrupt Enable Mask (0x08)

Bit Index	Default	Access Type	Description
		W1S	user_int_enmask Bit descriptions are the same as in <a href="#">Table 2-78</a> .

Table 2-80: IRQ Block User Interrupt Enable Mask (0x0C)

Bit Index	Default	Access Type	Description
		W1C	user_int_enmask Bit descriptions are the same as in <a href="#">Table 2-78</a> .

Table 2-81: IRQ Block Channel Interrupt Enable Mask (0x10)

Bit Index	Default	Access Type	Description
[NUM_CHNL-1:0]	'h0	RW	channel_int_enmask Engine Interrupt Enable Mask. One bit per read or write engine. 0: Prevents an interrupt from being generated when interrupt source is asserted. The position of the H2C bits always starts at bit 0. The position of the C2H bits is the index above the last H2C index, and therefore depends on the NUM_H2C_CHNL parameter. 1: Generates an interrupt on the rising edge of the interrupt source. If the enmask bit is set and the source is already set, an interrupt is also be generated.

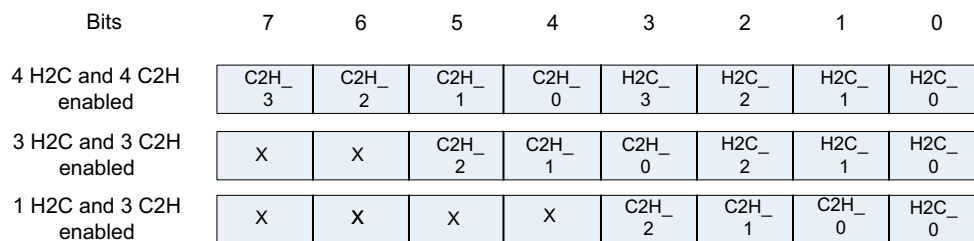
Table 2-82: IRQ Block Channel Interrupt Enable Mask (0x14)

Bit Index	Default	Access Type	Description
		W1S	channel_int_enmask Bit descriptions are the same as in Table 2-81.

Table 2-83: IRQ Block Channel Interrupt Enable Mask (0x18)

Bit Index	Default	Access Type	Description
		W1C	channel_int_enmask Bit descriptions are the same as in Table 2-81.

Figure 2-4 shows the packing of H2C and C2H bits.



X15954-022217

Figure 2-7: Packing H2C and C2H

Table 2-84: IRQ Block User Interrupt Request (0x40)

Bit Index	Default	Access Type	Description
[NUM_USR_INT-1:0]	'h0	RO	user_int_req User Interrupt Request This register reflects the interrupt source AND'd with the enable mask register.

Table 2-85: IRQ Block Channel Interrupt Request (0x44)

Bit Index	Default	Access Type	Description
[NUM_CHNL-1:0]	'h0	RO	engine_int_req Engine Interrupt Request. One bit per read or write engine. This register reflects the interrupt source AND with the enable mask register. The position of the H2C bits always starts at bit 0. The position of the C2H bits is the index above the last H2C index, and therefore depends on the NUM_H2C_CHNL parameter. <a href="#">Figure 2-7</a> shows the packing of H2C and C2H bits.

Table 2-86: IRQ Block User Interrupt Pending (0x48)

Bit Index	Default	Access Type	Description
[NUM_USR_INT-1:0]	'h0	RO	user_int_pend User Interrupt Pending. This register indicates pending events. The pending events are cleared by removing the event cause condition at the source component.

Table 2-87: IRQ Block Interrupt Pending (0x4C)

Bit Index	Default	Access Type	Description
[NUM_CHNL-1:0]	'h0	RO	engine_int_pend Engine Interrupt Pending. One bit per read or write engine. This register indicates pending events. The pending events are cleared by removing the event cause condition at the source component. The position of the H2C bits always starts at bit 0. The position of the C2H bits is the index above the last H2C index, and therefore depends on the NUM_H2C_CHNL parameter. <a href="#">Figure 2-7</a> shows the packing of H2C and C2H bits.

Table 2-88: IRQ Block User Vector Number (0x80)

Bit Index	Default	Access Type	Description
If MSI is enabled, this register specifies the MSI or MSI-X vector number of the MSI. In Legacy interrupts only the two LSBs of each field should be used to map to INTA, B, C, or D.			
28:24	5'h0	RW	vector 3 The vector number that is used when an interrupt is generated by the user IRQ usr_irq_req[3].
20:16	5'h0	RW	vector 2 The vector number that is used when an interrupt is generated by the user IRQ usr_irq_req[2].

Table 2-88: IRQ Block User Vector Number (0x80) (Cont'd)

Bit Index	Default	Access Type	Description
12:8	5'h0	RW	vector 1 The vector number that is used when an interrupt is generated by the user IRQ usr_irq_req[1].
4:0	5'h0	RW	vector 0 The vector number that is used when an interrupt is generated by the user IRQ usr_irq_req[0].

Table 2-89: IRQ Block User Vector Number (0x84)

Bit Index	Default	Access Type	Description
If MSI is enabled, this register specifies the MSI or MSI-X vector number of the MSI. In Legacy interrupts only the 2 LSB of each field should be used to map to INTA, B, C, or D.			
28:24	5'h0	RW	vector 7 The vector number that is used when an interrupt is generated by the user IRQ usr_irq_req[7].
20:16	5'h0	RW	vector 6 The vector number that is used when an interrupt is generated by the user IRQ usr_irq_req[6].
12:8	5'h0	RW	vector 5 The vector number that is used when an interrupt is generated by the user IRQ usr_irq_req[5].
4:0	5'h0	RW	vector 4 The vector number that is used when an interrupt is generated by the user IRQ usr_irq_req[4].

Table 2-90: IRQ Block User Vector Number (0x88)

Bit Index	Default	Access Type	Description
If MSI is enabled, this register specifies the MSI or MSI-X vector number of the MSI. In Legacy interrupts only the 2 LSB of each field should be used to map to INTA, B, C, or D.			
28:24	5'h0	RW	vector 11 The vector number that is used when an interrupt is generated by the user IRQ usr_irq_req[11].
20:16	5'h0	RW	vector 10 The vector number that is used when an interrupt is generated by the user IRQ usr_irq_req[10].
12:8	5'h0	RW	vector 9 The vector number that is used when an interrupt is generated by the user IRQ usr_irq_req[9].
4:0	5'h0	RW	vector 8 The vector number that is used when an interrupt is generated by the user IRQ usr_irq_req[8].

Table 2-91: IRQ Block User Vector Number (0x8C)

Bit Index	Default	Access Type	Description
If MSI is enabled, this register specifies the MSI or MSI-X vector number of the MSI. In Legacy interrupts only the 2 LSB of each field should be used to map to INTA, B, C, or D.			
28:24	5'h0	RW	vector 15 The vector number that is used when an interrupt is generated by the user IRQ <code>usr_irq_req[15]</code> .
20:16	5'h0	RW	vector 14 The vector number that is used when an interrupt is generated by the user IRQ <code>usr_irq_req[14]</code> .
12:8	5'h0	RW	vector 13 The vector number that is used when an interrupt is generated by the user IRQ <code>usr_irq_req[13]</code> .
4:0	5'h0	RW	vector 12 The vector number that is used when an interrupt is generated by the user IRQ <code>usr_irq_req[12]</code> .

Table 2-92: IRQ Block Channel Vector Number (0xA0)

Bit Index	Default	Access Type	Description
If MSI is enabled, this register specifies the MSI vector number of the MSI. In Legacy interrupts, only the 2 LSB of each field should be used to map to INTA, B, C, or D.			
Similar to the other C2H/H2C bit packing clarification, see <a href="#">Figure 2-7</a> . The first C2H vector is after the last H2C vector. For example, if <code>NUM_H2C_Channel = 1</code> , then H2C0 vector is at 0xA0, bits [4:0], and C2H Channel 0 vector is at 0xA0, bits [12:8].			
If <code>NUM_H2C_Channel = 4</code> , then H2C3 vector is at 0xA0 28:24, and C2H Channel 0 vector is at 0xA4, bits [4:0].			
28:24	5'h0	RW	vector3 The vector number that is used when an interrupt is generated by channel 3.
20:16	5'h0	RW	vector2 The vector number that is used when an interrupt is generated by channel 2.
12:8	5'h0	RW	vector1 The vector number that is used when an interrupt is generated by channel 1.
4:0	5'h0	RW	vector0 The vector number that is used when an interrupt is generated by channel 0.

Table 2-93: IRQ Block Channel Vector Number (0xA4)

Bit Index	Default	Access Type	Description
If MSI is enabled, this register specifies the MSI vector number of the MSI. In Legacy interrupts, only the 2 LSB of each field should be used to map to INTA, B, C, or D. Similar to the other C2H/H2C bit packing clarification, see <a href="#">Figure 2-7</a> . The first C2H vector is after the last H2C vector. For example, if NUM_H2C_Channel = 1, then H2C0 vector is at 0xA0, bits [4:0], and C2H Channel 0 vector is at 0xA0, bits [12:8]. If NUM_H2C_Channel = 4, then H2C3 vector is at 0xA0 28:24, and C2H Channel 0 vector is at 0xA4, bits [4:0]			
28:24	5'h0	RW	vector7 The vector number that is used when an interrupt is generated by channel 7.
20:16	5'h0	RW	vector6 The vector number that is used when an interrupt is generated by channel 6.
12:8	5'h0	RW	vector5 The vector number that is used when an interrupt is generated by channel 5.
4:0	5'h0	RW	vector4 The vector number that is used when an interrupt is generated by channel 4.

### Config Block Registers (0x3)

The Config Block registers are described in this section.

Table 2-94: Config Block Register Space

Address (hex)	Register Name
0x00	<a href="#">Config Block Identifier (0x00)</a>
0x04	<a href="#">Config Block BusDev (0x04)</a>
0x08	<a href="#">Config Block PCIE Max Payload Size (0x08)</a>
0x0C	<a href="#">Config Block PCIE Max Read Request Size (0x0C)</a>
0x10	<a href="#">Config Block System ID (0x10)</a>
0x14	<a href="#">Config Block MSI Enable (0x14)</a>
0x18	<a href="#">Config Block PCIE Data Width (0x18)</a>
0x1C	<a href="#">Config PCIE Control (0x1C)</a>
0x40	<a href="#">Config AXI User Max Payload Size (0x40)</a>
0x44	<a href="#">Config AXI User Max Read Request Size (0x44)</a>
0x60	<a href="#">Config Write Flush Timeout (0x60)</a>

Table 2-95: Config Block Identifier (0x00)

Bit Index	Default	Access Type	Description
31:20	12'h1fc	RO	DMA Subsystem for PCIe identifier
19:16	4'h3	RO	Config Identifier



Table 2-95: Config Block Identifier (0x00) (Cont'd)

Bit Index	Default	Access Type	Description
15:8	8'h0	RO	Reserved
7:0	8'h04	RO	Version 8'h01: 2015.3 and 2015.4 8'h02: 2016.1 8'h03: 2016.2 8'h04: 2016.3 8'h05: 2016.4 8'h06: 2017.1

Table 2-96: Config Block BusDev (0x04)

Bit Index	Default	Access Type	Description
[15:0]	PCIe IP	RO	bus_dev Bus, device, and function

Table 2-97: Config Block PCIe Max Payload Size (0x08)

Bit Index	Default	Access Type	Description
[2:0]	PCIe IP	RO	pcie_max_payload Maximum write payload size. This is the lesser of the PCIe IP MPS and DMA Subsystem for PCIe parameters. 3'b000: 128 bytes 3'b001: 256 bytes 3'b010: 512 bytes 3'b011: 1024 bytes 3'b100: 2048 bytes 3'b101: 4096 bytes

Table 2-98: Config Block PCIe Max Read Request Size (0x0C)

Bit Index	Default	Access Type	Description
[2:0]	PCIe IP	RO	pcie_max_read Maximum read request size. This is the lesser of the PCIe IP MRRS and DMA Subsystem for PCIe parameters. 3'b000: 128 bytes 3'b001: 256 bytes 3'b010: 512 bytes 3'b011: 1024 bytes 3'b100: 2048 bytes 3'b101: 4096 bytes

Table 2-99: Config Block System ID (0x10)

Bit Index	Default	Access Type	Description
[15:0]	16'hff01	RO	system_id DMA Subsystem for PCIe system ID

Table 2-100: Config Block MSI Enable (0x14)

Bit Index	Default	Access Type	Description
[0]	PCIe IP	RO	MSI_en MSI Enable
[1]	PCIe IP	RO	MSI-X Enable

Table 2-101: Config Block PCIE Data Width (0x18)

Bit Index	Default	Access Type	Description
[2:0]	C_DAT_WIDTH	RO	pcie_width PCIe AXI4-Stream Width 0: 64 bits 1: 128 bits 2: 256 bits 3: 512 bits

Table 2-102: Config PCIE Control (0x1C)

Bit Index	Default	Access Type	Description
[0]	1'b1	RW	Relaxed Ordering PCIe read request TLPs are generated with the relaxed ordering bit set.

Table 2-103: Config AXI User Max Payload Size (0x40)

Bit Index	Default	Access Type	Description
6:4	3'h5	RO	user_eff_payload The actual maximum payload size issued to the user application. This value might be lower than user_prg_payload due to IP configuration or datapath width. 3'b000: 128 bytes 3'b001: 256 bytes 3'b010: 512 bytes 3'b011: 1024 bytes 3'b100: 2048 bytes 3'b101: 4096 bytes
2:0	3'h5	RW	user_prg_payload The programmed maximum payload size issued to the user application. 3'b000: 128 bytes 3'b001: 256 bytes 3'b010: 512 bytes 3'b011: 1024 bytes 3'b100: 2048 bytes 3'b101: 4096 bytes

Table 2-104: Config AXI User Max Read Request Size (0x44)

Bit Index	Default	Access Type	Description
6:4	3'h5	RO	user_eff_read Maximum read request size issued to the user application. This value may be lower than user_max_read due to PCIe configuration or datapath width. 3'b000: 128 bytes 3'b001: 256 bytes 3'b010: 512 bytes 3'b011: 1024 bytes 3'b100: 2048 bytes 3'b101: 4096 bytes
2:0	3'h5	RW	user_prg_read Maximum read request size issued to the user application. 3'b000: 128 bytes 3'b001: 256 bytes 3'b010: 512 bytes 3'b011: 1024 bytes 3'b100: 2048 bytes 3'b101: 4096 bytes

Table 2-105: Config Write Flush Timeout (0x60)

Bit Index	Default	Access Type	Description
4:0	5'h0	RW	Write Flush Timeout Applies to AXI4-Stream C2H channels. This register specifies the number of clock cycles a channel waits for data before flushing the write data it already received from PCIe. This action closes the descriptor and generates a writeback. A value of 0 disables the timeout. The timeout value in clocks = $2^{\text{value}}$ .

### H2C SGDMA Registers (0x4)

The H2C SGDMA registers are described in this section.

Table 2-106: H2C SGDMA Register Space

Address (hex)	Register Name
0x00	<a href="#">H2C SGDMA Identifier (0x00)</a>
0x80	<a href="#">H2C SGDMA Descriptor Low Address (0x80)</a>
0x84	<a href="#">H2C SGDMA Descriptor High Address (0x84)</a>
0x88	<a href="#">H2C SGDMA Descriptor Adjacent (0x88)</a>
0x8C	<a href="#">H2C SGDMA Descriptor Credits (0x8C)</a>

Table 2-107: H2C SGDMA Identifier (0x00)

Bit Index	Default	Access Type	Description
31:20	12'h1fc	RO	DMA Subsystem for PCIe identifier
19:16	4'h4	RO	H2C DMA Target
15	1'b0	RO	Stream 1: AXI4-Stream Interface 0: Memory Mapped AXI4 Interface
14:12	3'h0	RO	Reserved
11:8	Varies	RO	Channel ID Target [3:0]
7:0	8'h04	RO	Version 8'h01: 2015.3 and 2015.4 8'h02: 2016.1 8'h03: 2016.2 8'h04: 2016.3 8'h05: 2016.4 8'h06: 2017.1

**Table 2-108: H2C SGDMA Descriptor Low Address (0x80)**

Bit Index	Default	Access Type	Description
31:0	32'h0	RW	dsc_adr[31:0] Lower bits of start descriptor address. Dsc_adr[63:0] is the first descriptor address that is fetched after the Control register Run bit is set.

**Table 2-109: H2C SGDMA Descriptor High Address (0x84)**

Bit Index	Default	Access Type	Description
31:0	32'h0	RW	dsc_adr[63:32] Upper bits of start descriptor address. Dsc_adr[63:0] is the first descriptor address that is fetched after the Control register Run bit is set.

**Table 2-110: H2C SGDMA Descriptor Adjacent (0x88)**

Bit Index	Default	Access Type	Description
5:0	6'h0	RW	dsc_adj[5:0] Number of extra adjacent descriptors after the start descriptor address.

**Table 2-111: H2C SGDMA Descriptor Credits (0x8C)**

Bit Index	Default	Access Type	Description
9:0	10'h0	RW	h2c_dsc_credit[9:0] Writes to this register will add descriptor credits for the channel. This register will only be used if the it is enabled via the channel's bits in the Descriptor Credit Mode register. Credits are automatically cleared on the falling edge of the channels Control register Run bit or if Descriptor Credit Mode is disabled for the channel. The register can be read to determine the number of current remaining credits for the channel.

## C2H SGDMA Registers (0x5)

The C2H SGDMA registers are described in this section.

**Table 2-112: C2H SGDMA Register Space**

Address (hex)	Register Name
0x00	<a href="#">C2H SGDMA Identifier (0x00)</a>
0x80	<a href="#">C2H SGDMA Descriptor Low Address (0x80)</a>
0x84	<a href="#">C2H SGDMA Descriptor High Address (0x84)</a>
0x88	<a href="#">C2H SGDMA Descriptor Adjacent (0x88)</a>
0x8C	<a href="#">C2H SGDMA Descriptor Credits (0x8C)</a>

Table 2-113: C2H SGDMA Identifier (0x00)

Bit Index	Default	Access Type	Description
31:20	12'h1fc	RO	DMA Subsystem for PCIe identifier
19:16	4'h5	RO	C2H DMA Target
15	1'b0	RO	Stream 1: AXI4-Stream Interface 0: Memory Mapped AXI4 Interface
14:12	3'h0	RO	Reserved
11:8	Varies	RO	Channel ID Target [3:0]
7:0	8'h04	RO	Version 8'h01: 2015.3 and 2015.4 8'h02: 2016.1 8'h03: 2016.2 8'h04: 2016.3 8'h05: 2016.4 8'h06: 2017.1

Table 2-114: C2H SGDMA Descriptor Low Address (0x80)

Bit Index	Default	Access Type	Description
31:0	32'h0	RW	dsc_adr[31:0] Lower bits of start descriptor address. Dsc_adr[63:0] is the first descriptor address that is fetched after the Control register Run bit is set (Table 2-59).

Table 2-115: C2H SGDMA Descriptor High Address (0x84)

Bit Index	Default	Access Type	Description
31:0	32'h0	RW	dsc_adr[63:32] Upper bits of start descriptor address. Dsc_adr[63:0] is the first descriptor address that is fetched after the Control register Run bit is set (Table 2-59).

Table 2-116: C2H SGDMA Descriptor Adjacent (0x88)

Bit Index	Default	Access Type	Description
5:0	6'h0	RW	dsc_adj[5:0] Number of extra adjacent descriptors after the start descriptor address.

Table 2-117: C2H SGDMA Descriptor Credits (0x8C)

Bit Index	Default	Access Type	Description
9:0	10'h0	RW	c2h_dsc_credit[9:0] Writes to this register will add descriptor credits for the channel. This register is only used if it is enabled through the channel's bits in the Descriptor Credit Mode register. Credits are automatically cleared on the falling edge of the channels Control register Run bit or if Descriptor Credit Mode is disabled for the channel. The register can be read to determine the number of current remaining credits for the channel.

### SGDMA Common Registers (0x6)

The SGDMA Common host are described in this section.

Table 2-118: SGDMA Common Register Space

Address (hex)	Register Name
0x00	<a href="#">SGDMA Identifier Registers (0x00)</a>
0x10	<a href="#">SGDMA Descriptor Control Register (0x10)</a>
0x14	<a href="#">SGDMA Descriptor Control Register (0x14)</a>
0x18	<a href="#">SGDMA Descriptor Control Register (0x18)</a>
0x20	<a href="#">SGDMA Descriptor Credit Mode Enable (0x20)</a>
0x24	<a href="#">SG Descriptor Mode Enable Register (0x24)</a>
0x28	<a href="#">SG Descriptor Mode Enable Register (0x28)</a>

Table 2-119: SGDMA Identifier Registers (0x00)

Bit Index	Default	Access Type	Description
31:20	12'h1fc	RO	DMA Subsystem for PCIe identifier
19:16	4'h6	RO	SGDMA Target
15:8	8'h0	RO	Reserved
7:0	8'h04	RO	Version 8'h01: 2015.3 and 2015.4 8'h02: 2016.1 8'h03: 2016.2 8'h04: 2016.3 8'h05: 2016.4 8'h06: 2017.1

Table 2-120: SGDMA Descriptor Control Register (0x10)

Bit Index	Default	Access Type	Description
19:16	4'h0	RW	c2h_dsc_halt[3:0] One bit per C2H channel. Set to one to halt descriptor fetches for corresponding channel.
3:0	4'h0	RW	h2c_dsc_halt[3:0] One bit per H2C channel. Set to one to halt descriptor fetches for corresponding channel.

Table 2-121: SGDMA Descriptor Control Register (0x14)

Bit Index	Default	Access Type	Description
		W1S	Bit descriptions are the same as in <a href="#">Table 2-120</a> .

Table 2-122: SGDMA Descriptor Control Register (0x18)

Bit Index	Default	Access Type	Description
		W1C	Bit descriptions are the same as in <a href="#">Table 2-120</a> .

Table 2-123: SGDMA Descriptor Credit Mode Enable (0x20)

Bit Index	Default	Access Type	Description
3:0	0x0	RW	h2c_dsc_credit_enable [3:0] One bit per H2C channel. Set to 1 to enable descriptor crediting. For each channel, the descriptor fetch engine will limit the descriptors fetched to the number of descriptor credits it is given through writes to the channel's Descriptor Credit Register.
19:16	0x0	RW	c2h_dsc_credit_enable [3:0] One bit per C2H channel. Set to 1 to enable descriptor crediting. For each channel, the descriptor fetch engine will limit the descriptors fetched to the number of descriptor credits it is given through writes to the channel's Descriptor Credit Register.

Table 2-124: SG Descriptor Mode Enable Register (0x24)

Bit Index	Default	Access Type	Description
		W1S	Bit descriptions are the same as in <a href="#">Table 2-123</a> .

Table 2-125: SG Descriptor Mode Enable Register (0x28)

Bit Index	Default	Access Type	Description
		W1C	Bit descriptions are the same as in <a href="#">Table 2-123</a> .



## MSI-X Vector Table and PBA (0x8)

The MSI-X Vector table and PBA are described in [Table 2-126](#).

**Table 2-126: MSI-X Vector Table and PBA (0x00–0xFE0)**

Byte Offset	Bit Index	Default	Access Type	Description
0x00	31:0	32'h0	RW	MSIX_Vector0_Address[31:0] MSI-X vector0 message lower address.
0x04	31:0	32'h0	RW	MSIX_Vector0_Address[63:32] MSI-X vector0 message upper address.
0x08	31:0	32'h0	RW	MSIX_Vector0_Data[31:0] MSI-X vector0 message data.
0x0C	31:0	32'h0	RW	MSIX_Vector0_Control[31:0] MSI-X vector0 control. Bit Position: <ul style="list-style-type: none"> <li>• 31:1: Reserved.</li> <li>• 0: Mask. When set to one, this MSI-X vector is not used to generate a message.</li> </ul>
0x1F0	31:0	32'h0	RW	MSIX_Vector31_Address[31:0] MSI-X vector31 message lower address.
0x1F4	31:0	32'h0	RW	MSIX_Vector31_Address[63:32] MSI-X vector31 message upper address.
0x1F8	31:0	32'h0	RW	MSIX_Vector31_Data[31:0] MSI-X vector31 message data.
0x1FC	31:0	32'h0	RW	MSIX_Vector31_Control[31:0] MSI-X vector31 control. Bit Position: <ul style="list-style-type: none"> <li>• 31:1: Reserved.</li> <li>• 0: Mask. When set to one, this MSI-X vector is not used to generate a message.</li> </ul>
0xFE0	31:0	32'h0	RW	Pending_Bit_Array[31:0] MSI-X Pending Bit Array. There is one bit per vector. Bit 0 corresponds to vector0, etc.

# Designing with the Core

This chapter includes guidelines and additional information to facilitate designing with the core.

---

## Clocking

For information about clocking, see the applicable PCIe™ integrated block product guide:

- *7 Series FPGAs Integrated Block for PCI Express LogiCORE IP Product Guide (PG054)* [Ref 4]
  - *Virtex-7 FPGA Integrated Block for PCI Express Product Guide (PG023)* [Ref 5]
  - *UltraScale Architecture Gen3 Integrated Block for PCI Express Product Guide (PG156)* [Ref 6]
  - *UltraScale+ Devices Integrated Block for PCI Express LogiCORE IP Product Guide (PG213)* [Ref 7]
- 

## Resets

For information about resets, see the applicable PCIe integrated block product guide:

- *7 Series FPGAs Integrated Block for PCI Express LogiCORE IP Product Guide (PG054)* [Ref 4]
- *Virtex-7 FPGA Integrated Block for PCI Express Product Guide (PG023)* [Ref 5]
- *UltraScale Architecture Gen3 Integrated Block for PCI Express Product Guide (PG156)* [Ref 6]
- *UltraScale+ Devices Integrated Block for PCI Express LogiCORE IP Product Guide (PG213)* [Ref 7]

## Tandem Configuration

Tandem Configuration features are available for the Xilinx DMA Subsystem for PCI Express® core for all UltraScale™ devices. Tandem Configuration uses a two-stage methodology that enables the IP to meet the configuration time requirements indicated in the PCI Express Specification. Multiple use cases are supported with this technology:

- **Tandem PROM:** Load the single two-stage bitstream from the flash.
- **Tandem PCIe:** Load the first stage bitstream from flash, and deliver the second stage bitstream over the PCIe link to the MCAP.
- **Tandem with Field Updates:** After a Tandem PROM or Tandem PCIe initial configuration, update the entire user design while the PCIe link remains active. The update region (floorplan) and design structure are predefined, and Tcl scripts are provided.
- **Tandem + Partial Reconfiguration:** This is a more general case of Tandem Configuration followed by Partial Reconfiguration (PR) of any size or number of PR regions.
- **Partial Reconfiguration over PCIe:** This is a standard configuration followed by PR, using the PCIe/MCAP as the delivery path of partial bitstreams.

To enable any of these capabilities, select the appropriate option when customizing the core. In the Basic tab:

1. Change the **Mode** to **Advanced**.
2. Change the **Tandem Configuration or Partial Reconfiguration** option according to your particular case:
  - **Tandem** for Tandem PROM, Tandem PCIe or Tandem + Partial Reconfiguration use cases.
  - **Tandem with Field Updates ONLY** for the predefined Field Updates use case.

- **PR over PCIe** to enable the MCAP link for Partial Reconfiguration, without enabling Tandem Configuration.

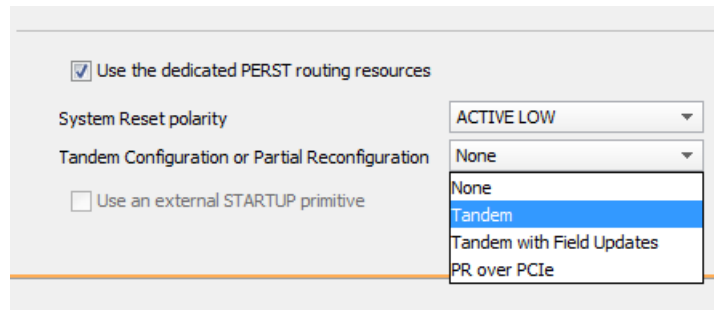


Figure 3-1: Tandem Configuration or Partial Reconfiguration Option

For complete information about Tandem Configuration, including required PCIe block locations, design flow examples, requirements, restrictions and other considerations, see [Tandem Configuration](#) in the *UltraScale Architecture Gen3 Integrated Block for PCI Express LogiCORE IP Product Guide (PG156)* [Ref 6]. For information on Partial Reconfiguration, see the *Vivado Design Suite User Guide: Partial Reconfiguration (UG909)* [Ref 13].

# Design Flow Steps

This chapter describes customizing and generating the core, constraining the core, and the simulation, synthesis and implementation steps that are specific to this IP core. More detailed information about the standard Vivado® design flows and the IP integrator can be found in the following Vivado Design Suite user guides:

- *Vivado Design Suite User Guide: Designing IP Subsystems using IP Integrator* (UG994) [Ref 8]
- *Vivado Design Suite User Guide: Designing with IP* (UG896) [Ref 9]
- *Vivado Design Suite User Guide: Getting Started* (UG910) [Ref 10]
- *Vivado Design Suite User Guide: Logic Simulation* (UG900) [Ref 12]

---

## Customizing and Generating the Core

This section includes information about using Xilinx® tools to customize and generate the core in the Vivado Design Suite.

If you are customizing and generating the core in the Vivado IP integrator, see the *Vivado Design Suite User Guide: Designing IP Subsystems using IP Integrator* (UG994) [Ref 8] for detailed information. IP integrator might auto-compute certain configuration values when validating or generating the design. To check whether the values do change, see the description of the parameter in this chapter. To view the parameter value, run the `validate_bd_design` command in the Tcl console.

You can customize the IP for use in your design by specifying values for the various parameters associated with the IP core using the following steps:

1. Select the IP from the Vivado IP catalog.
2. Double-click the selected IP or select the **Customize IP** command from the toolbar or right-click menu.

For details, see the *Vivado Design Suite User Guide: Designing with IP* (UG896) [Ref 9] and the *Vivado Design Suite User Guide: Getting Started* (UG910) [Ref 10].

**Note:** Figures in this chapter are illustrations of the Vivado Integrated Design Environment (IDE). The layout depicted here might vary from the current version.

## DMA Subsystem for PCI Express

This section shows the configuration option that are available when the Functional Mode is set to **DMA**.

### Basic Tab

The Basic tab for the DMA mode (Functional Mode option) is shown in [Figure 4-1](#)

Component Name: xdma\_0

Basic | PCIe ID | PCIe : BARs | PCIe : MISC | **PCIe : DMA** | Debug Options | Shared Logic | GT Settings

Functional Mode: DMA

Mode: Advanced

Device / Port Type: PCI Express Endpoint device

PCIe Block Location: X1Y0

**GT Selection**

Enable GT Quad Selection

GT Quad: GTY Quad 227

**PCIe Interface**

Lane Width: X1

**Maximum Link Speed**

2.5 GT/s  5.0 GT/s  8.0 GT/s

Reference Clock Frequency (MHz): 100 MHz

Reset Source: User Reset

**AXI Interface**

AXI Address Width: 64 [32 - 64]

AXI Data Width: 64 bit

**AXI Clock Frequency**

62.5  125  250

**DMA Interface option**

AXI Memory Mapped  AXI Stream

AXI-Lite Slave Interface

Enable PIPE Simulation

Enable GT Channel DRP Ports

Enable PCIe DRP Ports

Additional Transceiver Control and Status Ports

System Reset polarity: ACTIVE LOW

Tandem Configuration or Partial Reconfiguration: None

Figure 4-1: Basic Tab for DMA Functional Mode

The options are defined as follows:

- **Functional Mode:** Allows you to select between the following:
  - **DMA** (DMA Subsystem for PCIe).

- **AXI Bridge** (AXI Bridge Subsystem for PCIe). The **AXI Bridge** option is valid only for UltraScale+ devices.
- **Mode:** Allows you to select the **Basic** or **Advanced** mode of the configuration of core.
- **Device /Port Type:** Only PCI Express® Endpoint device mode is supported.
- **PCIe Block Location:** Selects from the available integrated blocks to enable generation of location-specific constraint files and pinouts. This selection is used in the default example design scripts. This option is not available if a Xilinx Development Board is selected.
- **Lane Width:** The core requires the selection of the initial lane width. The *7 Series FPGAs Integrated Block for PCI Express LogiCORE IP Product Guide (PG054)* [Ref 4], the *Virtex-7 FPGA Integrated Block for PCI Express LogiCORE IP Product Guide (PG023)* [Ref 5], in Table 4-1 in the *UltraScale Architecture Gen3 Integrated Block for PCI Express Product Guide (PG156)* [Ref 6] or in *UltraScale+ Devices Integrated Block for PCI Express LogiCORE IP Product Guide (PG213)* [Ref 7] define the available widths and associated generated core. Wider lane width cores can train down to smaller lane widths if attached to a smaller lane-width device.
- **Maximum Link Speed:** The core allows you to select the Maximum Link Speed supported by the device. The *7 Series FPGAs Integrated Block for PCI Express LogiCORE IP Product Guide (PG054)* [Ref 4], the *Virtex-7 FPGA Integrated Block for PCI Express LogiCORE IP Product Guide (PG023)* [Ref 5], in Table 4-2 in the *UltraScale Architecture Gen3 Integrated Block for PCI Express Product Guide (PG156)* [Ref 6] or in *UltraScale+ Devices Integrated Block for PCI Express LogiCORE IP Product Guide (PG213)* [Ref 7] define the lane widths and link speeds supported by the device. Higher link speed cores are capable of training to a lower link speed if connected to a lower link speed capable device. Select Gen1, Gen2, or Gen3.
- **Reference Clock Frequency:** The default is 100 MHz, but 125 and 250 MHz are also supported.
- **Reset Source:** You can choose between **User Reset** and **Phy ready**.
  - **User reset** comes from PCIe core once link is established. When PCIe link goes down, User Reset is asserted and XDMA goes to reset mode. And when the link comes back up, User Reset is deasserted.
  - When the **Phy ready** option is selected, XDMA is not affected by PCIe link status.
- **GT Selection/Enable GT Quad Selection:** Select the Quad in which lane 0 is located.
- **AXI Address Width:** Currently, only 64-bit width is supported.
- **AXI Data Width:** Select 64, 128, 256 bit, or 512 bit (only for UltraScale+). The core allows you to select the Interface Width, as defined in the *7 Series FPGAs Integrated Block for PCI Express LogiCORE IP Product Guide (PG054)* [Ref 4], the *Virtex-7 FPGA Integrated Block for PCI Express LogiCORE IP Product Guide (PG023)* [Ref 5], in Table 4-3 in the *UltraScale Architecture Gen3 Integrated Block for PCI Express Product Guide (PG156)* [Ref 6], or in *UltraScale+ Devices Integrated Block for PCI Express LogiCORE IP*

*Product Guide (PG213)* [Ref 7]. The default interface width set in the **Customize IP** dialog box is the lowest possible interface width.

- **AXI Clock Frequency:** Select 62.5 MHz, 125 MHz or 250 MHz depending on the lane width/speed.
- **DMA Interface Option:** Select AXI4 Memory Mapped and AXI4-Stream.
- **AXI Lite Slave Interface:** Select to enable the AXI4-Lite slave Interface.
- **Tandem Configuration or Partial Reconfiguration:** Select the tandem configuration or partial reconfiguration feature, if application to your design. See [Tandem Configuration](#) for details.

### PCIe ID Tab

The PCIe ID tab is shown in [Figure 4-2](#).

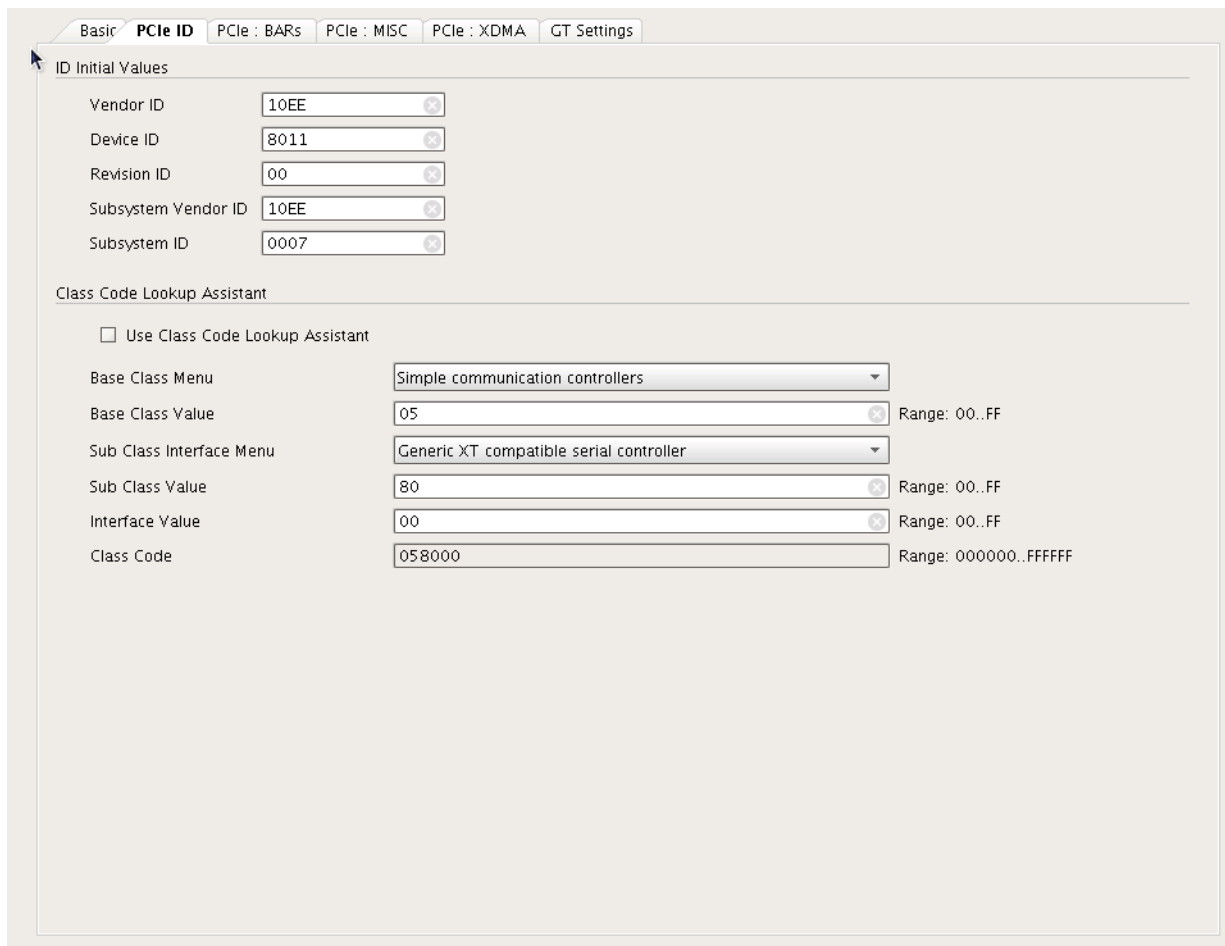


Figure 4-2: PCIe ID Tab

For a description of these options, see Chapter 4, “Design Flow Steps” in the *7 Series FPGAs Integrated Block for PCI Express LogiCORE IP Product Guide (PG054)* [Ref 4], *Virtex-7 FPGA*



*Integrated Block for PCI Express Product Guide (PG023) [Ref 5], UltraScale Architecture Gen3 Integrated Block for PCI Express Product Guide (PG156) [Ref 6], or UltraScale+ Devices Integrated Block for PCI Express LogiCORE IP Product Guide (PG213) [Ref 7].*

## PCIe BARs Tab

The PCIe BARs tab is shown in Figure 4-3.

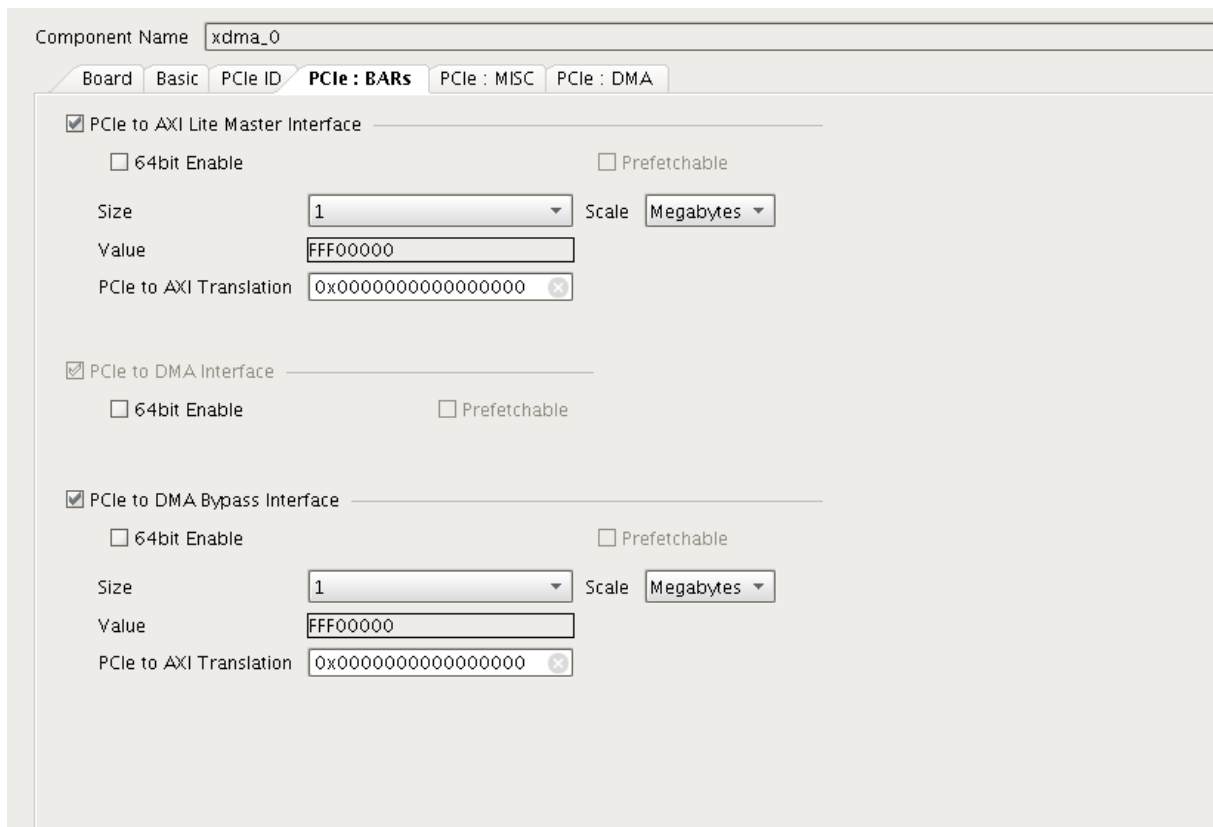


Figure 4-3: PCIe BARs Tab

**PCIe to AXI Lite Master Interface:** You can optionally enable **PCIe to AXI-Lite Interface** BAR space. The size, scale, and address translation are configurable.

**PCIe to XDMA Interface:** This options is always selected.

**PCIe to DMA Bypass Interface:** You can optionally enable **PCIe to DMA Bypass Interface** BAR space. The size, scale and address translations are also configurable.

Each BAR space can be individually selected for 64 bit options. And each 64 bit BAR space can be selected for Prefetchable or not.

## PCIe Misc Tab

The PCIe Miscellaneous tab is shown in [Figure 4-4](#).

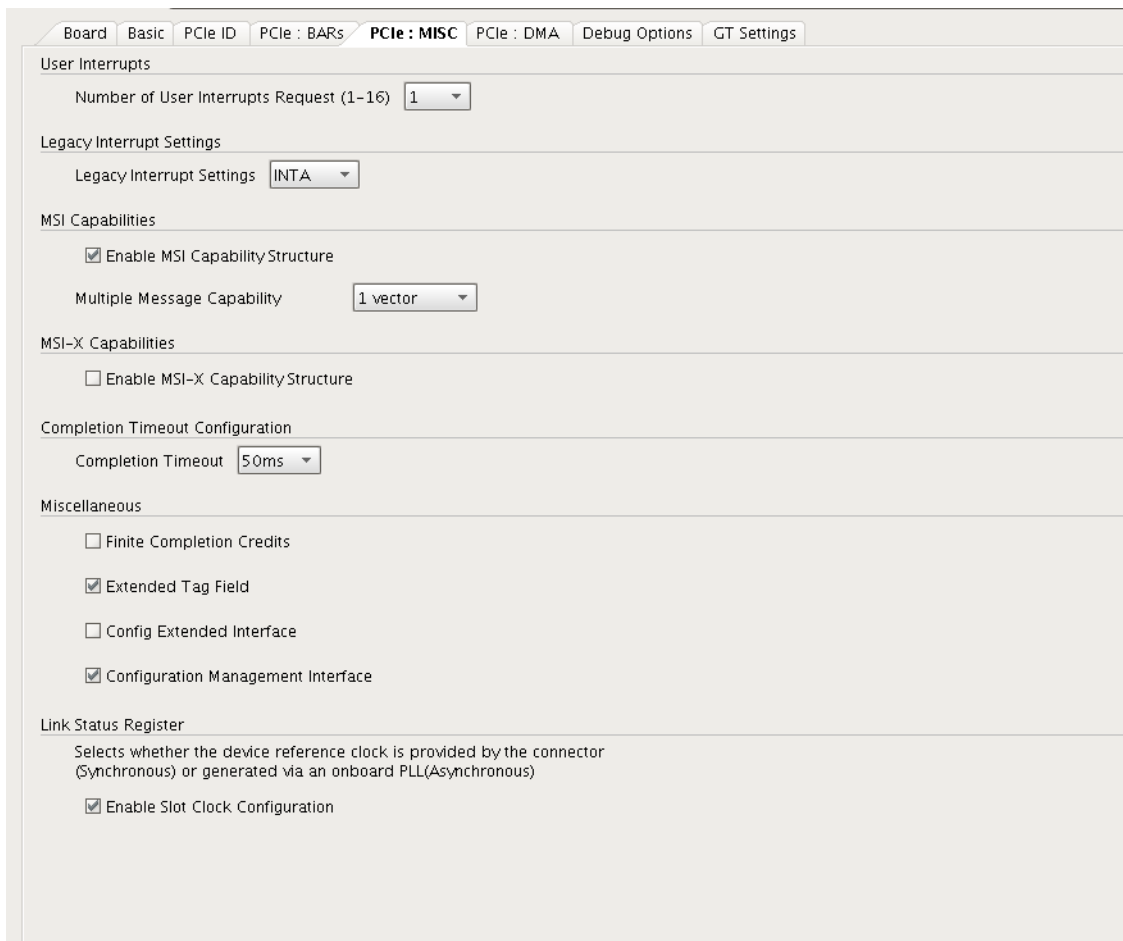


Figure 4-4: PCIe Misc Tab

**Legacy Interrupt Settings:** Select one of the Legacy Interrupts: INTA, INTB, INTC, or INTD.

**Number of User Interrupt Request:** Up to 16 user interrupt requests can be selected.

**MSI Capabilities:** By default, MSI Capabilities is enabled, and 1 vector is enabled. You can choose up to 32 vectors. In general, Linux uses only 1 vector for MSI. This option can be disabled.

**MSI-X Capabilities:** Select a MSI-X event. For more information, see [MSI-X Vector Table and PBA \(0x8\)](#).

**Completion Timeout Configuration:** By default, completion timeout is set to 50 ms. Option of 50us is also available.

**Finite Completion Credits:** On systems which support finite completion credits, this option can be enabled for better performance.

**PCI Extended Tag:** By default, 6-bit completion tags are used. For UltraScale and Virtex-7 devices, the Extended Tag option gives 64 tags. For UltraScale+ devices, the Extended Tag option gives 256 tags. If the Extended Tag option is not selected, DMA uses 32 tag for all devices.

**Configuration Extend Interface:** PCIe extended interface can be selected for more configuration space. When Configuration Extend Interface is selected, you are responsible for adding logic to extend the interface to make it work properly.

**Configuration Management Interface:** PCIe configuration Management interface can be brought to the top level when this options is selected.

### PCIe DMA Tab

The DMA tab is shown in [Figure 4-5](#).

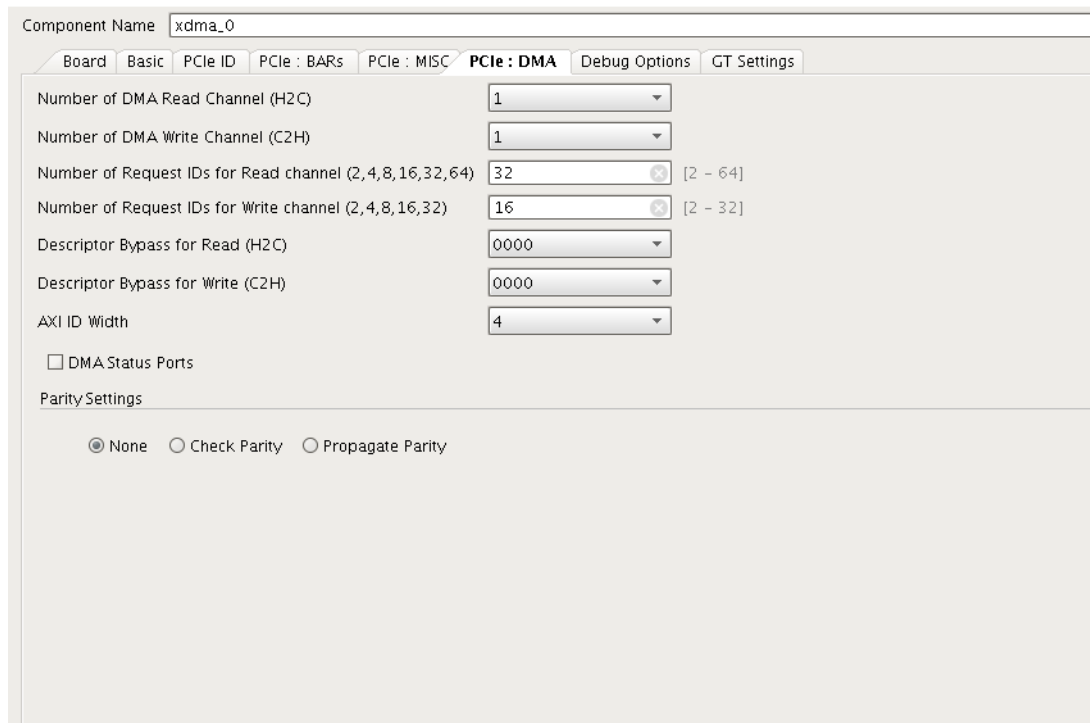


Figure 4-5: PCIe DMA Tab

**Number of Read/ Write Channels:** Available selection is from 1 to 4.

**Number of Request IDs for Read channel:** Select the max number of outstanding request per channel. Available selection is from 2 to 64.

**Number of Request IDs for Write channel:** Select max number of outstanding request per channel. Available selection is from 2 to 32.

**Descriptor Bypass for Read (H2C):** Available for all selected read channels. Each binary digits corresponds to a channel. LSB corresponds to Channel 0. Value of one in bit position means corresponding channels has Descriptor bypass enabled.

**Descriptor Bypass for Write (C2H):** Available for all selected write channels. Each binary digits corresponds to a channel. LSB corresponds to Channel 0. Value of one in bit position means corresponding channels has Descriptor bypass enabled.

**AXI ID Width:** The default is 4-bit wide. You can also select 2 bits.

**DMA Status port:** DMA status ports are available for all channels.

**Parity Checking:** The default is no parity checking.

- When **Check Parity** is enabled, XDMA checks for parity on read data from the PCIe and generates parity for write data to the PCIe.
- When **Propagate Parity** is enabled, XDMA propagates parity to the user AXI interface. The user is responsible for checking and generating parity on the user AXI interface.

### ***Debug Options Tab***

The Debug Options tab is shown in [Figure 4-6](#).

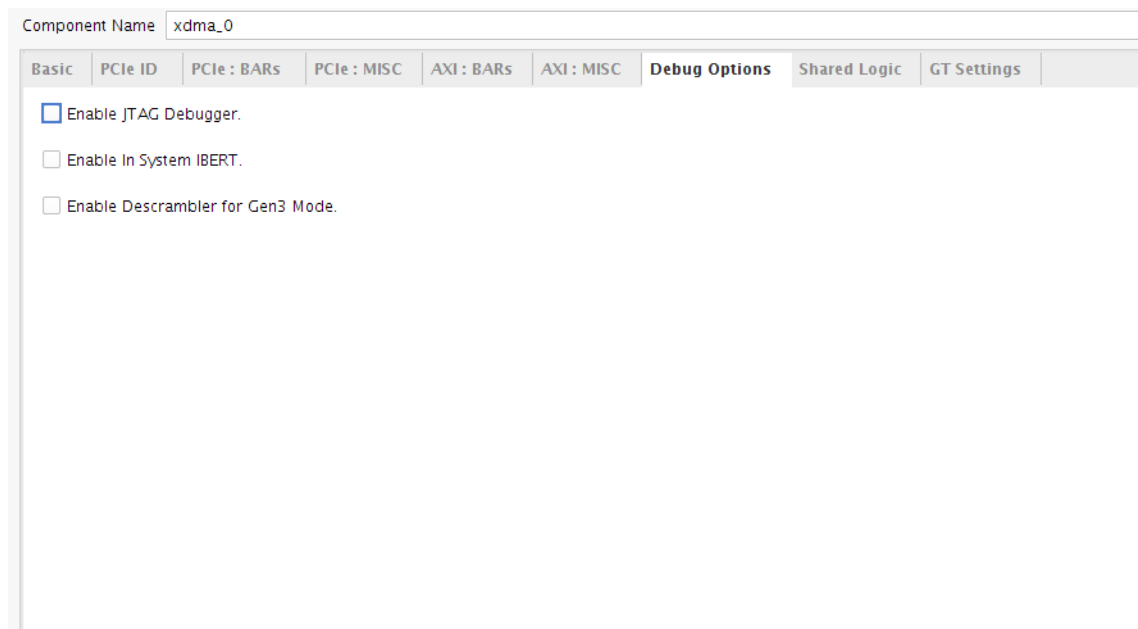


Figure 4-6: Debug Options Tab

For a description of these options, see Chapter 4, "Design Flow Steps" in the *UltraScale Architecture Gen3 Integrated Block for PCI Express Product Guide* (PG156) [Ref 6], or the *UltraScale+ Devices Integrated Block for PCI Express LogiCORE IP Product Guide* (PG213) [Ref 7].

### Shared Logic Tab

The Shared Logic tab for IP in an UltraScale device is shown in Figure 4-7.

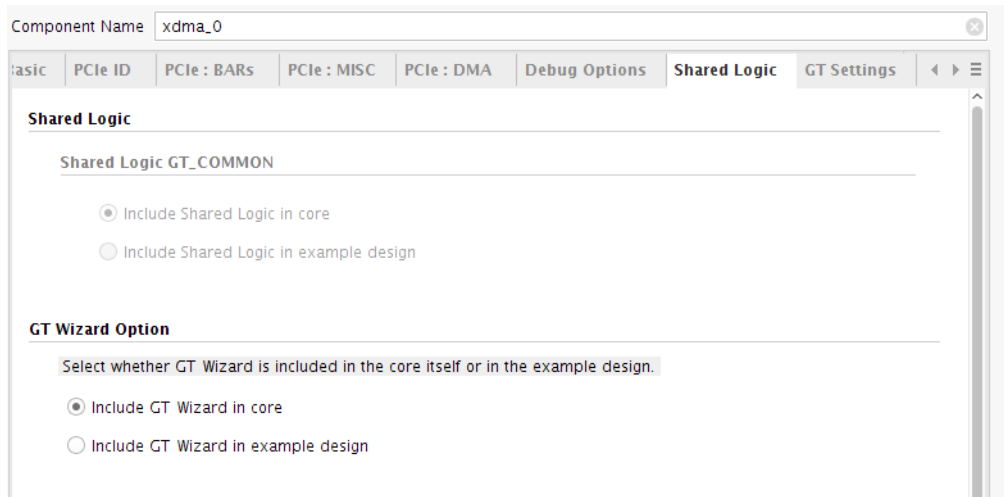


Figure 4-7: Shared Logic (UltraScale Devices)

The Shared Logic tab for IP in an UltraScale+ device is shown in Figure 4-8.

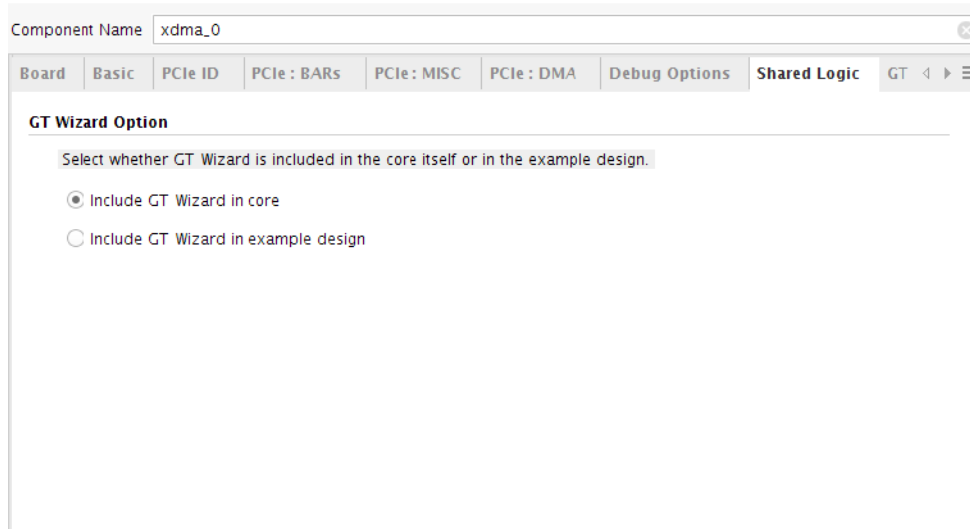


Figure 4-8: GT Settings Tab (UltraScale+ Devices)

For a description of these options, see Chapter 4, “Design Flow Steps” in the *UltraScale Architecture Gen3 Integrated Block for PCI Express Product Guide (PG156)* [Ref 6] or the *UltraScale+ Devices Integrated Block for PCI Express LogiCORE IP Product Guide (PG213)* [Ref 7].

See [Table B-2, page 112](#) for a list of ports available when the **Include GT Wizard in example design** option is selected.

### GT Settings Tab

The GT Settings tab is shown in [Figure 4-9](#).

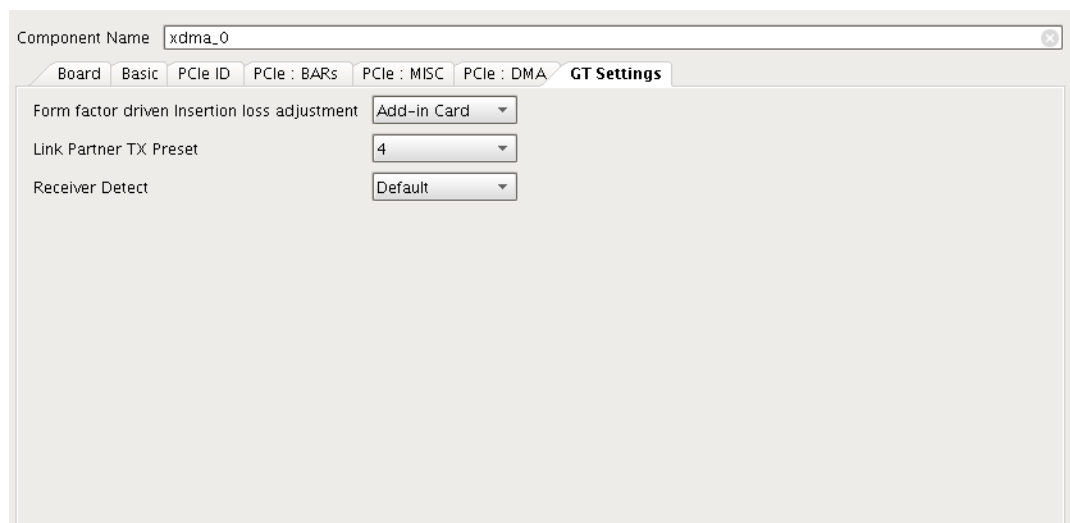


Figure 4-9: GT Settings Tab

For a description of these options, see Chapter 4, “Design Flow Steps” in the *7 Series FPGAs Integrated Block for PCI Express LogiCORE IP Product Guide (PG054)* [Ref 4], *UltraScale Architecture Gen3 Integrated Block for PCI Express Product Guide (PG156)* [Ref 6], or *UltraScale+ Devices Integrated Block for PCI Express LogiCORE IP Product Guide (PG213)* [Ref 7].

## AXI Bridge Subsystem for PCI Express

The following tabs and options are available when the **Functional Mode** option (Basic Tab) is set to **AXI Bridge**.

In **AXI-Bridge** mode, interrupt control registers can be accessed through the AXI-Lite Slave interface. In order to do that bit 28 of the address bus should be set to 1.

- If the AXI-Lite Slave address bit 28 is set to 0, access is directed to the AXI-Bridge configuration registers.
- If AXI-Lite Slave address bit 28 is set to 1, access is directed to the DMA registers.

Setting proper target address (0x2000) directs to the interrupt processing registers (refer to Table 2-36).

### Basic Tab

The Basic tab options for the AXI Bridge mode (Functional Mode option) is shown in Figure 4-10.

Figure 4-10: Basic Tab for AXI Bridge Functional Mode

The options are defined as follows:

- **Device / Port Type:** PCI Express Endpoint device or Root Port of PCI Express Root complex can be selected.
- **Enable AXI Slave Interface:** This interface is selected by default, user can de-select this interface.

- **Enable AXI Master Interface:** This interface is selected by default, user can de-select this interface.

All other options are the same as those for the DMA Subsystem mode (see [Basic Tab, page 70](#)).

### PCIe ID Tab

For a description of these options, see [PCIe ID Tab, page 72](#).

### PCIe BARs Tab

The PCIe BARs tab options for the AXI Bridge mode (Functional Mode option) is shown in [Figure 4-11](#).

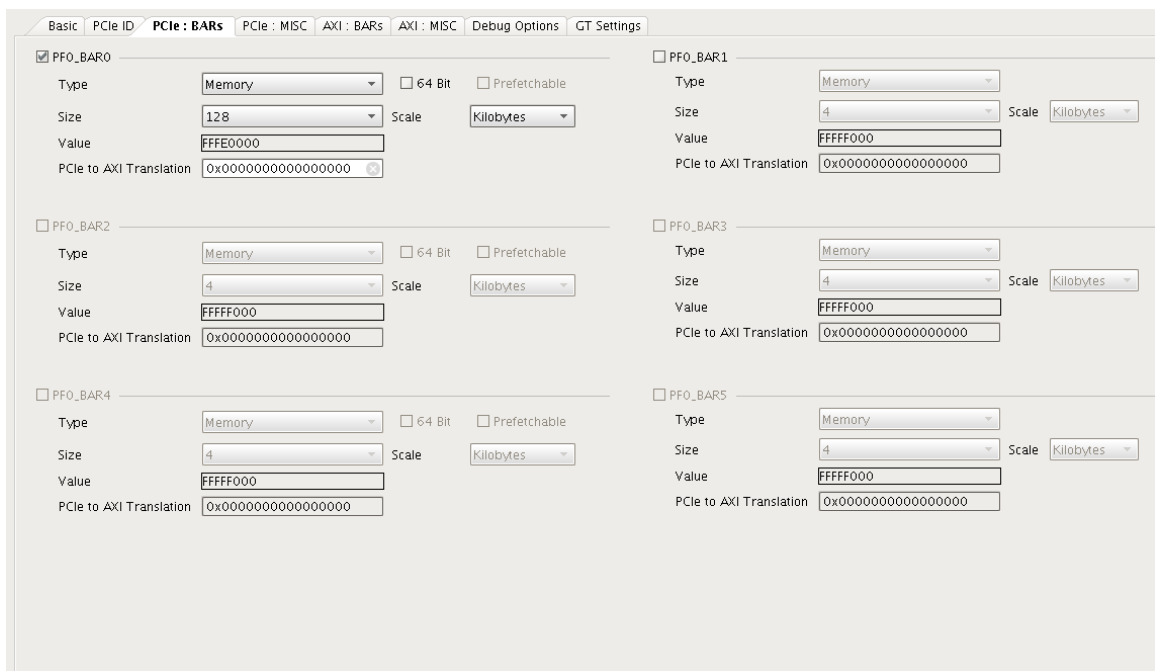


Figure 4-11: PCIe BARs Tab

### Base Address Register Overview

The DMA/ Bridge Subsystem for PCI core in Endpoint configuration supports up to six 32-bit BARs or three 64-bit BARs. The AXI Bridge for PCI Express in Root Port configuration supports up to two 32-bit BARs or one 64-bit BAR.

BARs can be one of two sizes. BARs 0, 2, and 4 can be either 32-bit or 64-bit addressable. BARs 1, 3, and 5 can only be 32-bit addressable and are disabled if the previous BAR is enabled as 64-bit.



- **32-bit BARs:** The address space can be as small as 4 kilobytes or as large as 2 gigabytes. Used for Memory to I/O.
- **64-bit BARs:** The address space can be as small as 4 kilobytes or as large as 256 gigabytes. Used for Memory only.

All BAR registers share these options:

- **Checkbox:** Click the checkbox to enable BAR. Deselect the checkbox to disable BAR.
- **Type:** BARs can be **Memory** apertures only. Memory BARs can be either 64-bit or 32-bit. Prefetch is enabled for 64-bit and not enabled for 32-bit. When a BAR is set as 64 bits, it uses the next BAR for the extended address space, making it inaccessible.
- **Size:** The available Size range depends on the PCIe® Device/Port Type and the Type of BAR selected. [Table 4-1](#) lists the available BAR size ranges.

Table 4-1: BAR Size Ranges for Device Configuration

PCIe Device/Port Type	BAR Type	BAR Size Range
PCI Express Endpoint	32-bit Memory	4 Kilobytes - 2 Gigabytes
	64-bit Memory	4 Kilobytes - 256 Gigabytes

- **Prefetchable:** Identifies the ability of the memory space to be prefetched. This can only be enabled for 64-bit addressable bars.
- **Value:** The value assigned to BAR.
- **PCIe to AXI Translation:** This text field should be set to the appropriate value to perform the translation from the PCI Express base address to the desired AXI Base Address.

### Managing Base Address Register Settings

Memory indicates that the address space is defined as memory aperture. The base address register only responds to commands that access the specified address space.

### Disabling Unused Resources

For best results, disable unused base address registers to conserve system resources. A base address register is disabled by deselecting unused BARs in the Vivado IDE.

## PCIe Misc Tab

The PCIe Miscellaneous tab options for the AXI Bridge mode (Functional Mode option) is shown in Figure 4-12.

Figure 4-12: PCIe Miscellaneous Tab

The options are defined as follows:

- **Bar Indicator:** This is the space allocated for Interrupt processing registers that are shared between AXI Bridge and AXI DMA. This register space includes an MSI-X table, and when MSI-X Internal is selected, 64KB address space from the BAR indicated here will be reserved for the MSI-X table. Depending on PCIe BAR selection this register space can be allocated to any selected BAR space (BAR0 to BAR5). This options is valid only when MSI-X Internal option is selected. For all other interrupt options there is no allocated space.
- **User Interrupts:** Select number of user interrupts.

- **Legacy Interrupt Settings:** Select one of the Legacy Interrupts: **INTA**, **INTB**, **INTC**, or **INTD**.
- **Number of User Interrupt Request:** Up to 16 user interrupt requests can be selected.
- **MSI Capabilities:** By default, MSI Capabilities is enabled, and 1 vector is enabled. You can choose up to 16 vectors. In general, Linux uses only 1 vector for MSI. This option can be disabled.
- **MSI-X Capabilities:** Select a MSI-X event. For more information, see [MSI-X Vector Table and PBA \(0x8\)](#).
- **MSI-X Implementation Location:** For MSI-X, there are two options: **Internal** and **External**. When **Internal** is selected, MSI-X table is internal to the IP and the table can be accessed depending on BAR Indicator selection. When **External** is selected, MSI-X related ports are brought out of IP and user is responsible to make table outside of IP. In this case, Bar Indicator is not used.
- **Completion Timeout Configuration:** By default, completion timeout is set to 50 ms. Option of 50us is also available.
- **Config Extended Interface:** PCIe extended interface can be selected for more configuration space. When Configuration Extend Interface is selected, you are responsible for adding logic to extend the interface to make it work properly.

## AXI BARs Tab

The AXI BARs tab options for the AXI Bridge mode (Functional Mode option) are shown in Figure 4-13.

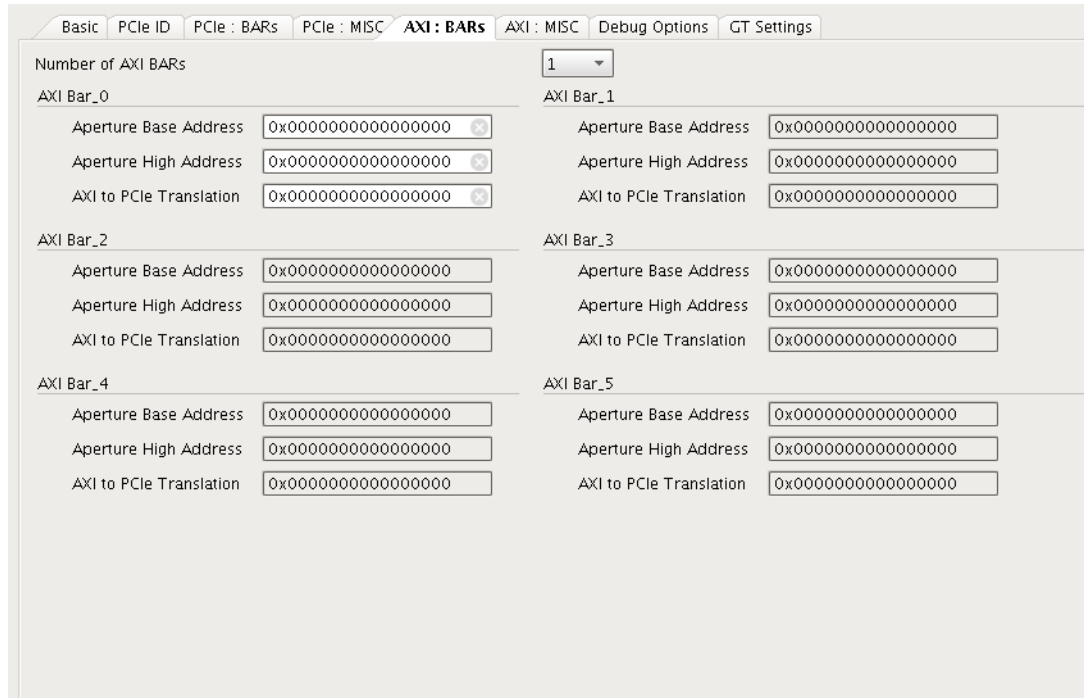


Figure 4-13: AXI BARs Tab

The options are defined as follows:

- **Number of BARs:** Indicates the number of AXI BARs enabled. The BARs are enabled sequentially.
- **Aperture Base Address:** Sets the base address for the address range of BAR. You should edit this parameter to fit design requirements.
- **Aperture High Address:** Sets the upper address threshold for the address range of BAR. You should edit this parameter to fit design requirements.
- **AXI to PCIe Translation:** Configures the translation mapping between AXI and PCI Express address space. You should edit this parameter to fit design requirements.

## AXI Misc Tab

The AXI Miscellaneous tab options for the AXI Bridge mode (Functional Mode option) are shown in [Figure 4-14](#).

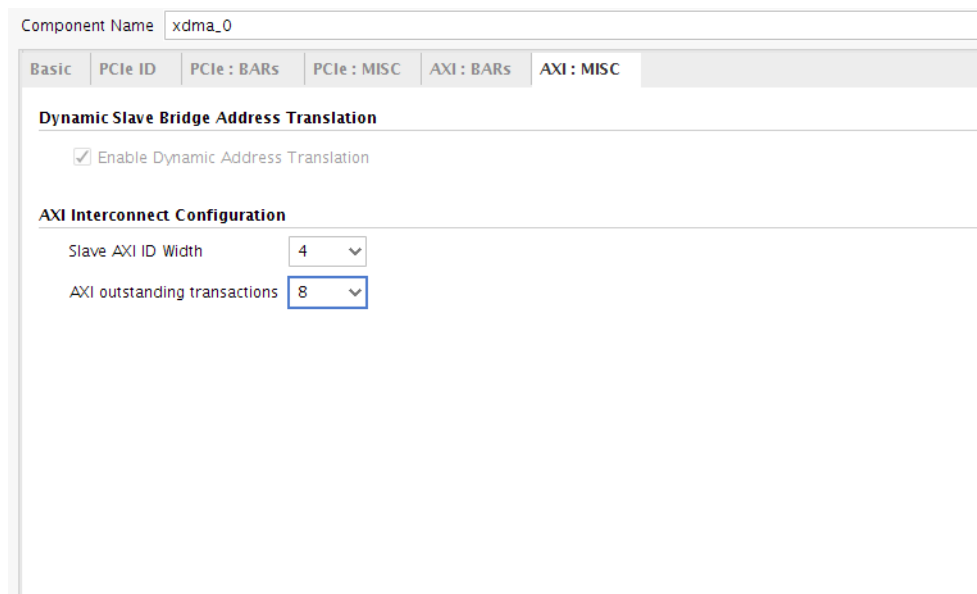


Figure 4-14: AXI Misc Tab

The options are defined as follows:

- **Dynamic Slave Bridge Address Translation:** Is always enabled.
- **Slave AXI ID Width:** Sets the ID width for the AXI Slave Interface.
- **AXI outstanding transactions:** Select from the options: **8**, **16** or **32** outstanding transactions. This options is common for AXI Master Write, AXI Master Read, AXI Slave Write and AXI Slave Read transaction. The number of AXI Master Write transactions is limited to the minimum of either what the user selects or based on the AXI data width size (4 for 64-bit, 8 for 128-bit, 16 for 256 bits or 32 for 512-bits).

## Debug Options Tab

For a description of these options, see [Debug Options Tab, page 76](#).

## GT Settings Tab

For a description of these options, see [GT Settings Tab, page 78](#).

## Output Generation

For details, see the *Vivado Design Suite User Guide: Designing with IP* (UG896) [\[Ref 9\]](#).

## Constraining the Core

This section contains information about constraining the core in the Vivado® Design Suite.

### Required Constraints

The DMA Subsystem for PCIe requires the specification of timing and other physical implementation constraints to meet specified performance requirements for PCI Express. These constraints are provided in a Xilinx Design Constraints (XDC) file. Pinouts and hierarchy names in the generated XDC correspond to the provided example design.



**IMPORTANT:** *If the example design top file is not used, copy the IBUFDS\_GTE3 instance for the reference clock, IBUF Instance for sys\_rst and also the location and timing constraints associated with them into your local design top.*

To achieve consistent implementation results, an XDC containing these original, unmodified constraints must be used when a design is run through the Xilinx tools. For additional details on the definition and use of an XDC or specific constraints, see *Vivado Design Suite User Guide: Using Constraints* (UG903) [Ref 11].

Constraints provided with the integrated block solution have been tested in hardware and provide consistent results. Constraints can be modified, but modifications should only be made with a thorough understanding of the effect of each constraint. Additionally, support is not provided for designs that deviate from the provided constraints.

### Device, Package, and Speed Grade Selections

The device selection portion of the XDC informs the implementation tools which part, package, and speed grade to target for the design.



**IMPORTANT:** *Because Gen2 and Gen3 Integrated Block for PCIe cores are designed for specific part and package combinations, this section should not be modified.*

The device selection section always contains a part selection line, but can also contain part or package-specific options. An example part selection line follows:

```
CONFIG PART = XCKU040-ffva1156-3-e-es1
```

### Clock Frequencies

For detailed information about clock requirements, see the *7 Series FPGAs Integrated Block for PCI Express LogiCORE IP Product Guide* (PG054) [Ref 4], *Virtex-7 FPGA Integrated Block for PCI Express Product Guide* (PG023) [Ref 5], *UltraScale Architecture Gen3 Integrated Block*

for *PCI Express Product Guide (PG156)* [Ref 6], or *UltraScale+ Devices Integrated Block for PCI Express LogiCORE IP Product Guide (PG213)* [Ref 7].

## Clock Management

For detailed information about clock requirements, see the *7 Series FPGAs Integrated Block for PCI Express LogiCORE IP Product Guide (PG054)* [Ref 4], *Virtex-7 FPGA Integrated Block for PCI Express Product Guide (PG023)* [Ref 5], *UltraScale Architecture Gen3 Integrated Block for PCI Express Product Guide (PG156)* [Ref 6], or *UltraScale+ Devices Integrated Block for PCI Express LogiCORE IP Product Guide (PG213)* [Ref 7].

## Clock Placement

For detailed information about clock requirements, see the *7 Series FPGAs Integrated Block for PCI Express LogiCORE IP Product Guide (PG054)* [Ref 4], *Virtex-7 FPGA Integrated Block for PCI Express Product Guide (PG023)* [Ref 5], *UltraScale Architecture Gen3 Integrated Block for PCI Express Product Guide (PG156)* [Ref 6], or *UltraScale+ Devices Integrated Block for PCI Express LogiCORE IP Product Guide (PG213)* [Ref 7].

## Banking

This section is not applicable for this IP core.

## Transceiver Placement

This section is not applicable for this IP core.

## I/O Standard and Placement

This section is not applicable for this IP core.

## Relocating the Integrated Block Core

By default, the IP core-level constraints lock block RAMs, transceivers, and the PCIe block to the recommended location. To relocate these blocks, you must override the constraints for these blocks in the XDC constraint file. To do so:

1. Copy the constraints for the block that needs to be overwritten from the core-level XDC constraint file.
2. Place the constraints in the user XDC constraint file.
3. Update the constraints with the new location.

The user XDC constraints are usually scoped to the top-level of the design; therefore, ensure that the cells referred by the constraints are still valid after copying and pasting them. Typically, you need to update the module path with the full hierarchy name.

**Note:** If there are locations that need to be swapped (that is, the new location is currently being occupied by another module), there are two ways to do this.

- If there is a temporary location available, move the first module out of the way to a new temporary location first. Then, move the second module to the location that was occupied by the first module. Next, move the first module to the location of the second module. These steps can be done in XDC constraint file.
- If there is no other location available to be used as a temporary location, use the `reset_property` command from Tcl command window on the first module before relocating the second module to this location. The `reset_property` command cannot be done in XDC constraint file and must be called from the Tcl command file or typed directly into the Tcl Console.

## Simulation

This section contains information about simulating IP in the Vivado Design Suite.

For comprehensive information about simulation components, as well as information about using supported third-party tools, see the *Vivado Design Suite User Guide: Logic Simulation* (UG900) [Ref 12].

### Basic Simulation

Simulation models for AXI-MM and AXI-ST options can be generated and simulated. These are very basic simulation model options on which you can develop complicated designs.

#### ***AXI-MM Mode***

The example design for the AXI4 Memory Mapped (AXI-MM) mode has 4 KB block RAM on the user side, so data can be written to the block RAM and read from block RAM to the Host. The first H2C transfer is started and the DMA reads data from the Host memory and writes to the block RAM. Then, the C2H transfer is started and the DMA reads data from the block RAM and writes to the Host memory. The original data is compared with the C2H write data.

H2C and C2H are setup with one descriptor each, and the total transfer size is 64 bytes.

#### ***AXI-ST Mode***

The example design for the AXI4-Stream (AXI-ST) mode is a loopback design. On the user side the H2C ports are looped back to the C2H ports. First, the C2H transfer is started and



the C2H DMA engine waits for data on the user side. Then, the H2C transfer is started and the DMA engine reads data from the Host memory and writes to the user side. Because it is a loopback, design data from H2C is directed to C2H and ends up in the host destination address.

H2C and C2H are setup with one descriptor each, and the total transfer size is 64 bytes.

Interrupts are not used in Vivado Design Suite simulations. Instead, descriptor completed count register is polled to determine transfer complete.

### **Descriptor bypass**

Simulation models for the descriptor bypass mode is available only for channel 0. This design can be expanded to support other channels.

## **PIPE Mode Simulation**

The DMA Subsystem for PCIe supports the PIPE mode simulation where the PIPE interface of the core is connected to the PIPE interface of the link partner. This mode increases the simulation speed.

Use the **Enable PIPE Simulation** option on the **Basic** page of the **Customize IP** dialog box to enable PIPE mode simulation in the current Vivado Design Suite solution example design, in either Endpoint mode or Root Port mode. The External PIPE Interface signals are generated at the core boundary for access to the external device. Enabling this feature also provides the necessary hooks to use third-party PCI Express VIPs/BFMs instead of the Root Port model provided with the example design.

[Table 4-2](#) and [Table 4-3](#) describe the PIPE bus signals available at the top level of the core and their corresponding mapping inside the EP core (`pcie_top`) PIPE signals.




---

**IMPORTANT:** A new file, `xil_sig2pipe.v`, is delivered in the simulation directory, and the file replaces `phy_sig_gen.v`. BFM/VIPs should interface with the `xil_sig2pipe` instance in `board.v`.

---

PIPE mode simulations are not supported for this core when VHDL is the selected target language.

Table 4-2: Common In/Out Commands and Endpoint PIPE Signals Mappings

In Commands	Endpoint PIPE Signals Mapping	Out Commands	Endpoint PIPE Signals Mapping
common_commands_in[25:0]	not used	common_commands_out[0]	pipe_clk <sup>(1)</sup>
		common_commands_out[2:1]	pipe_tx_rate_gt <sup>(2)</sup>
		common_commands_out[3]	pipe_tx_rcvr_det_gt
		common_commands_out[6:4]	pipe_tx_margin_gt
		common_commands_out[7]	pipe_tx_swing_gt
		common_commands_out[8]	pipe_tx_reset_gt
		common_commands_out[9]	pipe_tx_deemph_gt
		common_commands_out[16:10]	not used <sup>(3)</sup>

**Notes:**

1. pipe\_clk is an output clock based on the core configuration. For Gen1 rate, pipe\_clk is 125 MHz. For Gen2 and Gen3, pipe\_clk is 250 MHz.
2. pipe\_tx\_rate\_gt indicates the pipe rate (2'b00-Gen1, 2'b01-Gen2, and 2'b10-Gen3).
3. The functionality of this port has been deprecated and it can be left unconnected.

Table 4-3: Input/Output Bus with Endpoint PIPE Signals Mapping

Input Bus	Endpoint PIPE Signals Mapping	Output Bus	Endpoint PIPE Signals Mapping
pipe_rx_0_sigs[31:0]	pipe_rx0_data_gt	pipe_tx_0_sigs[31: 0]	pipe_tx0_data_gt
pipe_rx_0_sigs[33:32]	pipe_rx0_char_is_k_gt	pipe_tx_0_sigs[33:32]	pipe_tx0_char_is_k_gt
pipe_rx_0_sigs[34]	pipe_rx0_elec_idle_gt	pipe_tx_0_sigs[34]	pipe_tx0_elec_idle_gt
pipe_rx_0_sigs[35]	pipe_rx0_data_valid_gt	pipe_tx_0_sigs[35]	pipe_tx0_data_valid_gt
pipe_rx_0_sigs[36]	pipe_rx0_start_block_gt	pipe_tx_0_sigs[36]	pipe_tx0_start_block_gt
pipe_rx_0_sigs[38:37]	pipe_rx0_syncheader_gt	pipe_tx_0_sigs[38:37]	pipe_tx0_syncheader_gt
pipe_rx_0_sigs[83:39]	not used	pipe_tx_0_sigs[39]	pipe_tx0_polarity_gt
		pipe_tx_0_sigs[41:40]	pipe_tx0_powerdown_gt
		pipe_tx_0_sigs[69:42]	not used <sup>(1)</sup>

**Notes:**

1. The functionality of this port has been deprecated and it can be left unconnected.

## Synthesis and Implementation

For details about synthesis and implementation, see the *Vivado Design Suite User Guide: Designing with IP* (UG896) [Ref 9].

# Example Design

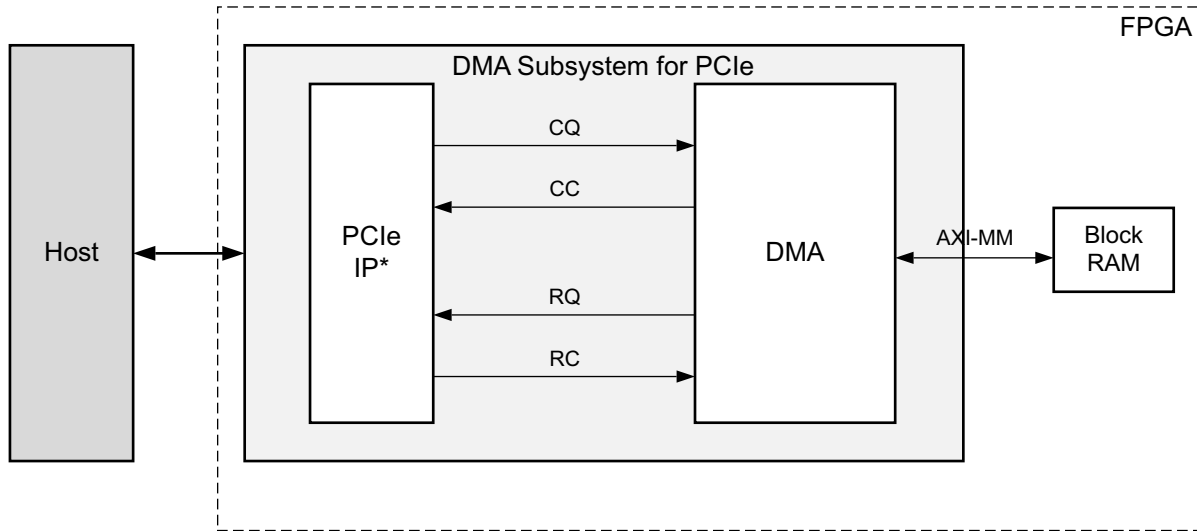
This chapter contains information about the example designs provided in the Vivado® Design Suite. The example designs are as follows:

- [AXI4 Memory Mapped Default Example Design](#)
- [AXI4 Memory Mapped with PCIe to AXI-Lite Master and PCIe to DMA Bypass Example Design](#)
- [AXI4 Memory Mapped with AXI4-Lite Slave Interface Example Design](#)
- [AXI4-Stream Example Design](#)
- [AXI4-Memory Mapped with Descriptor Bypass Example](#)
- [Vivado IP Integrator-Based Example Design](#)

---

## AXI4 Memory Mapped Default Example Design

[Figure 5-1](#) shows the AXI4 Memory Mapped (AXI-MM) interface as the default design. The example design gives 4 kilobytes (KB) block RAM on user design with AXI4 MM interface. For H2C transfers, the DMA Subsystem for PCIe reads data from host and writes to block RAM in the user side. For C2H transfers, the DMA Subsystem for PCIe reads data from block RAM and writes to host memory. The example design from the IP catalog has only 4 KB block RAM; you can regenerate the core for larger block RAM size, if wanted.



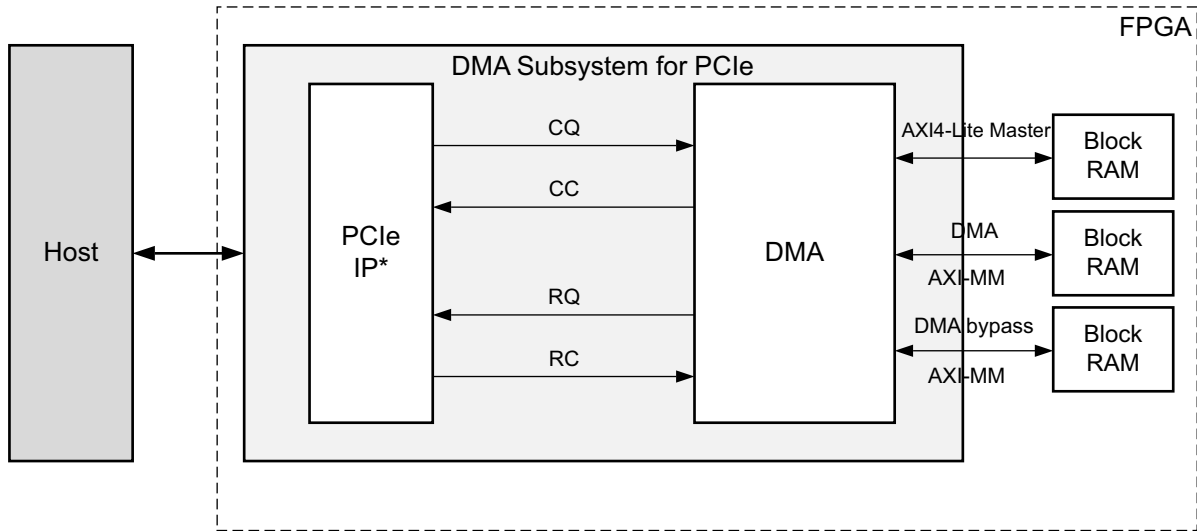
\* may include wrapper as necessary

X15052-022217

Figure 5-1: AXI-MM Default Example Design

## AXI4 Memory Mapped with PCIe to AXI-Lite Master and PCIe to DMA Bypass Example Design

Figure 5-2 shows a system where the PCIe to AXI-Lite Master (BAR0) and PCIe to DMA Bypass (BAR2) are selected. 4K block RAM is connected to the PCIe to DMA Bypass interfaces. The host can use **DMA Bypass interface** to read/write data to the user space using the AXI4 MM interface. This interface bypasses DMA engines. The host can also use the PCIe to AXI-Lite Master (BAR0 address space) to write/read user logic. The example design connects 4K block RAM to the PCIe to AXI-Lite Master interface so the user application can perform read/writes.



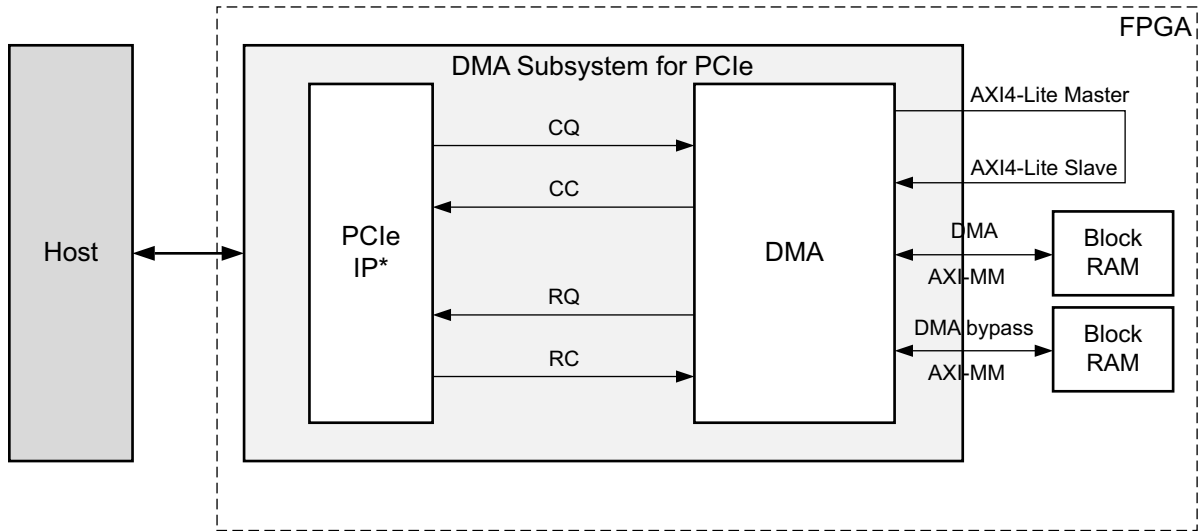
\* may include wrapper as necessary

X15047-022217

Figure 5-2: AXI-MM Example with PCIe to DMA Bypass Interface and PCIe to AXI-Lite Master Enabled

## AXI4 Memory Mapped with AXI4-Lite Slave Interface Example Design

When the PCIe to AXI-Lite master and AXI4-Lite slave interface are enabled, the generated example design (shown in [Figure 5-3](#)) has a loopback from AXI4-Lite master to AXI4-Lite slave. Typically, the user logic can use a AXI4-Lite slave interface to read/write DMA Subsystem for PCIe registers. With this example design, the host can use **PCIe to AXI-Lite Master** (BAR0 address space) and read/write DMA Subsystem for PCIe registers, which is the same as using **PCIe to DMA** (BAR1 address space). This example design also shows **PCIe to DMA bypass Interface** (BAR2) enabled.



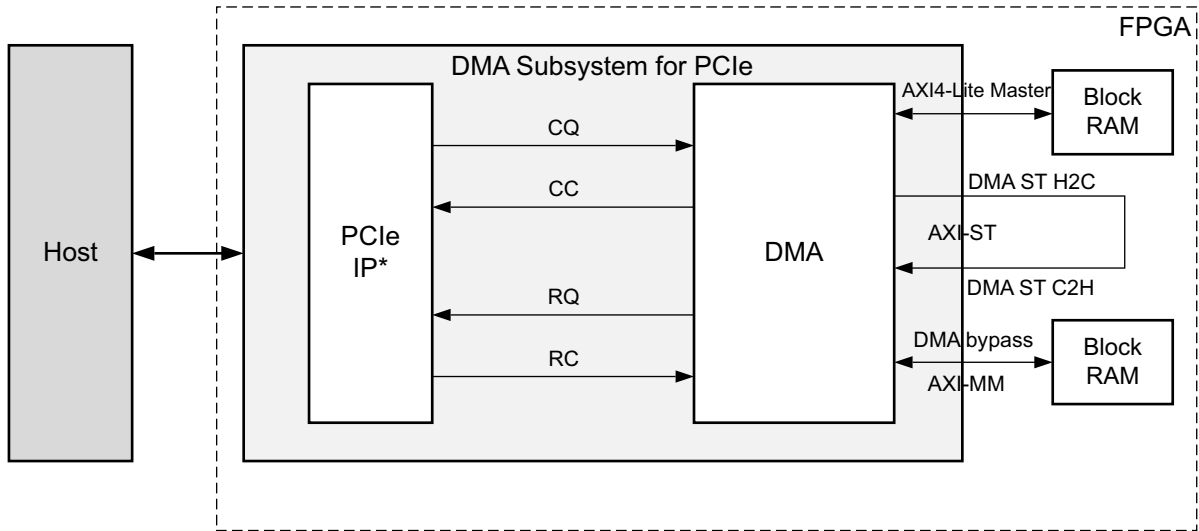
\* may include wrapper as necessary

X15045-022217

Figure 5-3: AXI-MM Example with AXI4-Lite Slave Enabled

## AXI4-Stream Example Design

When the AXI4-Stream interface is enabled, each H2C streaming channels is looped back to C2H channel. Shown in [Figure 5-4](#), the example design gives a loopback design for AXI4 streaming. The limitation is that you need to select an equal number of H2C and C2H channels for proper operation. This example design also shows **PCIe to DMA bypass interface** and **PCIe to AXI-Lite Master** selected.



\* may include wrapper as necessary

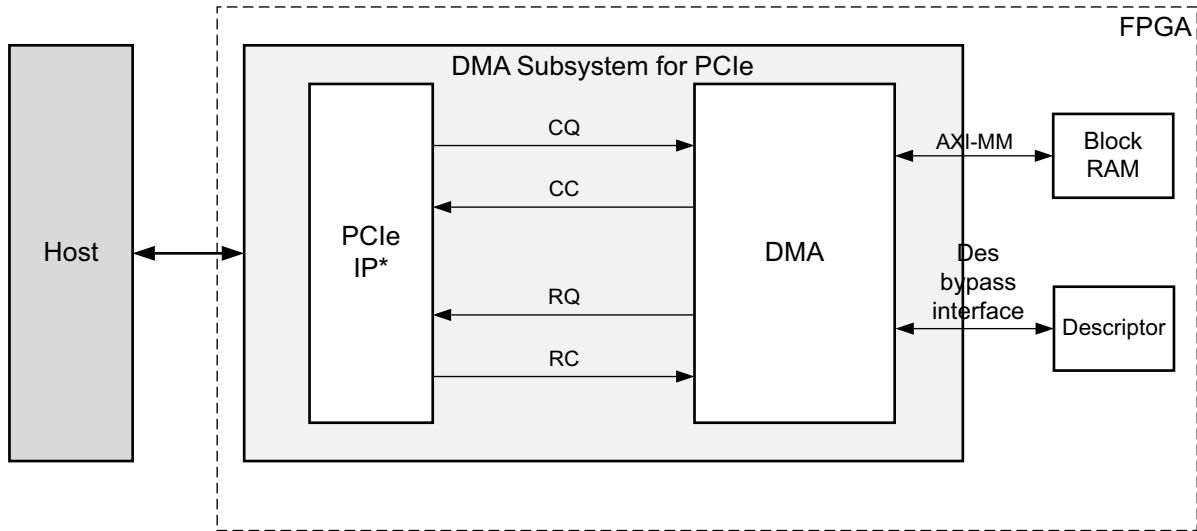
X15046-022217

Figure 5-4: AXI4-Stream Example with PCIe to DMA Bypass Interface and PCIe to AXI-Lite Master Enabled

## AXI4-Memory Mapped with Descriptor Bypass Example

When Descriptor bypass mode is enabled, the user is responsible for making descriptors and transferring them in descriptor bypass interface. Figure 5-5 shows AXI4-Memory Mapped design with descriptor bypass mode enabled. You can select which channels will have descriptor bypass mode. When **Channel 0 of H2C** and **Channel 0 C2H** are selected for Descriptor bypass mode, the generated Vivado example design has descriptor bypass ports of H2C0 and C2H0 connected to logic that will generate only one descriptor of 64bytes. The user is responsible for developing codes for other channels and expanding the descriptor itself.

Figure 5-5 shows the AXI-MM example with Descriptor Bypass Mode enabled.



\* may include wrapper as necessary

X17931-022217

Figure 5-5: AXI-MM Example With Descriptor Bypass Mode Enabled

## Vivado IP Integrator-Based Example Design

In addition to the RTL-based example designs, the IP also supports a Vivado IP Integrator-based example design. To use the IP Integrator-based example design:

1. Create an IP integrator block diagram.
2. Open the IP integrator workspace, as shown in Figure 5-6.

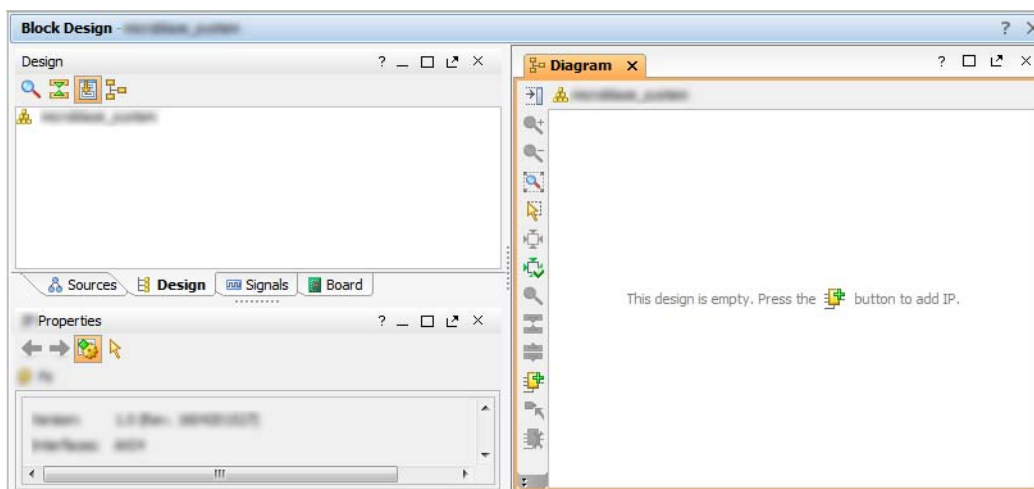


Figure 5-6: Initial View of the Vivado IP Integrator Showing an Informational Message



3. In order to add the DMA/Bridge IP to the canvas, search for DMA/Bridge (xdma) IP in the IP catalog.

After adding the IP to the canvas, the green Designer Assistance information bar appears at the top of the canvas.

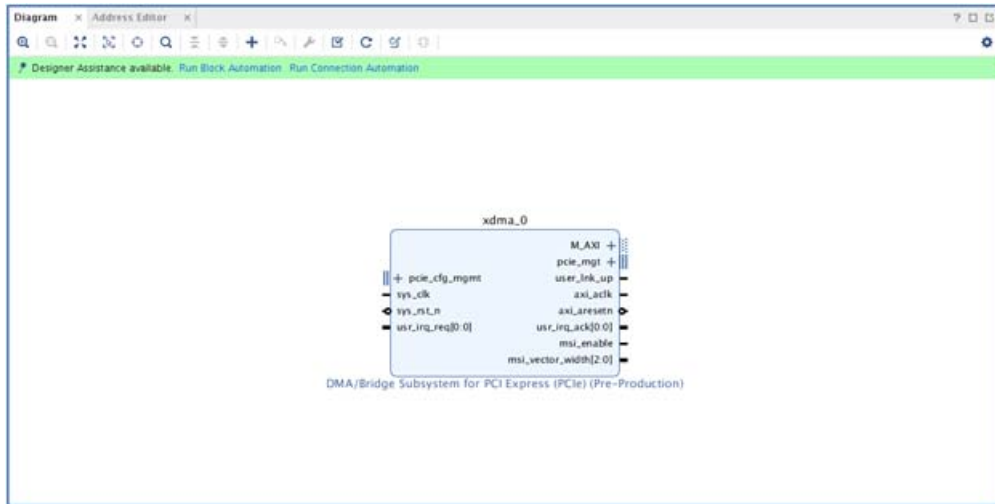


Figure 5-7: Designer Assistance Offering Block Automation

4. Click **Run Block Automation** from the Designer Assistance information bar.

This opens a Run Block Automation dialog box (Figure 5-8) which lists all the IP currently in the design eligible for block automation (left pane), and any options associated with a particular automation (right pane). In this case, there is only the XDMA IP in the hierarchy in the left pane. The right pane has a description and options available. The Options can be used to configure the IP as well as decide the level of automation for block automation.

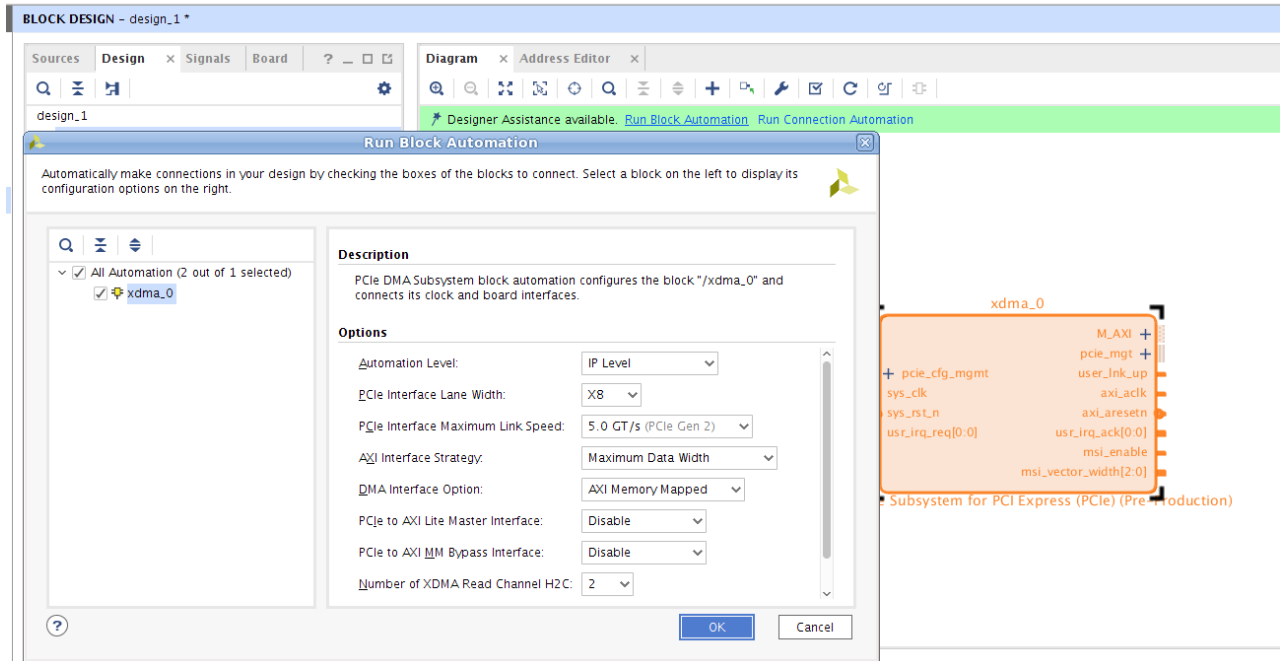


Figure 5-8: Run Block Automation Dialog Box

The Run Block Automation dialog box has an **Automation Level** option, which can be set to **IP Level** or **Subsystem Level**.

- **IP Level:** When you select IP level automation, the Block Automation inserts the utility buffer for the `sys_clk` input, connects the `sys_rst_n` input and `pcie_mgt` output interface for the XDMA IP, as shown in Figure 5-9.

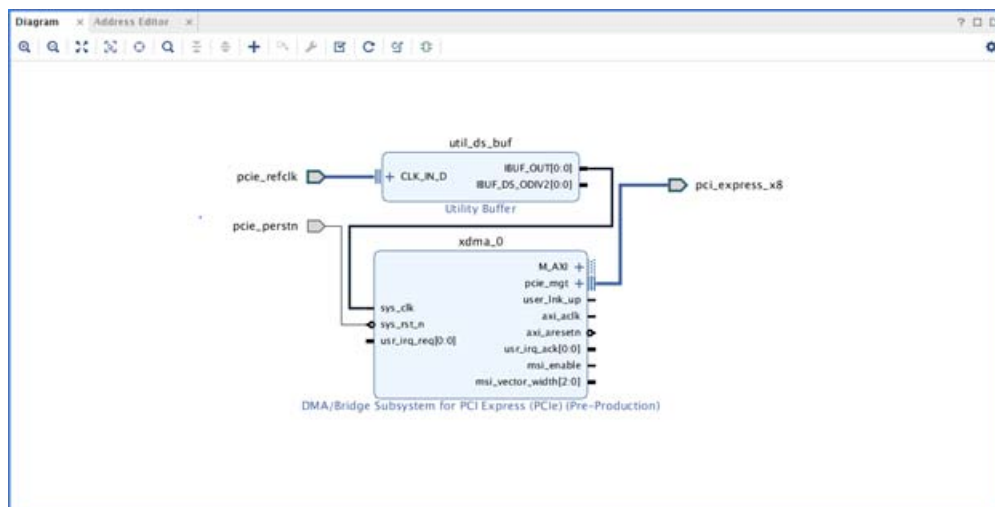


Figure 5-9: IP Level Block Automation

- **Subsystem Level:** When you select subsystem level automation, the Block Automation inserts the necessary sub IPs on the canvas and makes the necessary

connections. In addition to connecting the `sys_clk` and `sys_rst_n` inputs it also connects the `pcie_mgt` output interface and `user_lnk_up`, `user_clk_heartbeat` and `user_resetn` outputs. It inserts the AXI interconnect to connect the Block Memory with the XDMA IP through the AXI Bram controller. The AXI interconnect has one master interface and multiple slave interfaces when the AXI-Lite master and AXI MM Bypass interfaces are enabled in the Run Block Automation dialog box. The block automation also inserts Block Memories and AXI Bram Controllers when the AXI-Lite master and AXI MM Bypass interfaces are enabled.

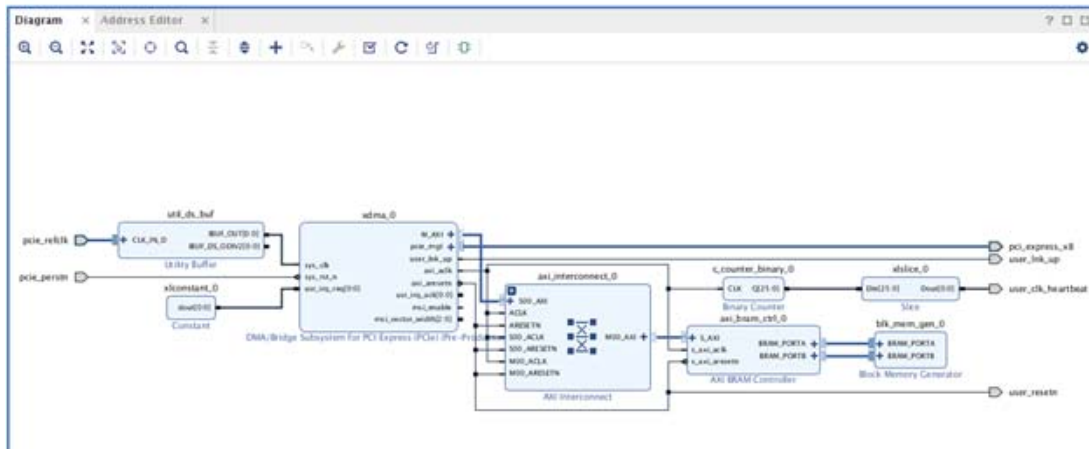


Figure 5-10: Subsystem Level Block Automation

# Test Bench

This chapter contains information about the test bench provided in the Vivado® Design Suite.

---

## Root Port Model Test Bench for Endpoint

The PCI Express® Root Port Model is a basic test bench environment that provides a test program interface that can be used with the provided PIO design or with your design. The purpose of the Root Port Model is to provide a source mechanism for generating downstream PCI Express TLP traffic to stimulate the customer design, and a destination mechanism for receiving upstream PCI Express TLP traffic from the customer design in a simulation environment.

Source code for the Root Port Model is included to provide the model for a starting point for your test bench. All the significant work for initializing the core configuration space, creating TLP transactions, generating TLP logs, and providing an interface for creating and verifying tests are complete, allowing you to dedicate efforts to verifying the correct functionality of the design rather than spending time developing an Endpoint core test bench infrastructure.

The Root Port Model consists of:

- Test Programming Interface (TPI), which allows you to stimulate the Endpoint device for the PCI Express.
- Example tests that illustrate how to use the test program TPI.
- Verilog source code for all Root Port Model components, which allow you to customize the test bench.

[Figure 6-1](#) shows the Root Port Module with DMA Subsystem for PCIe.

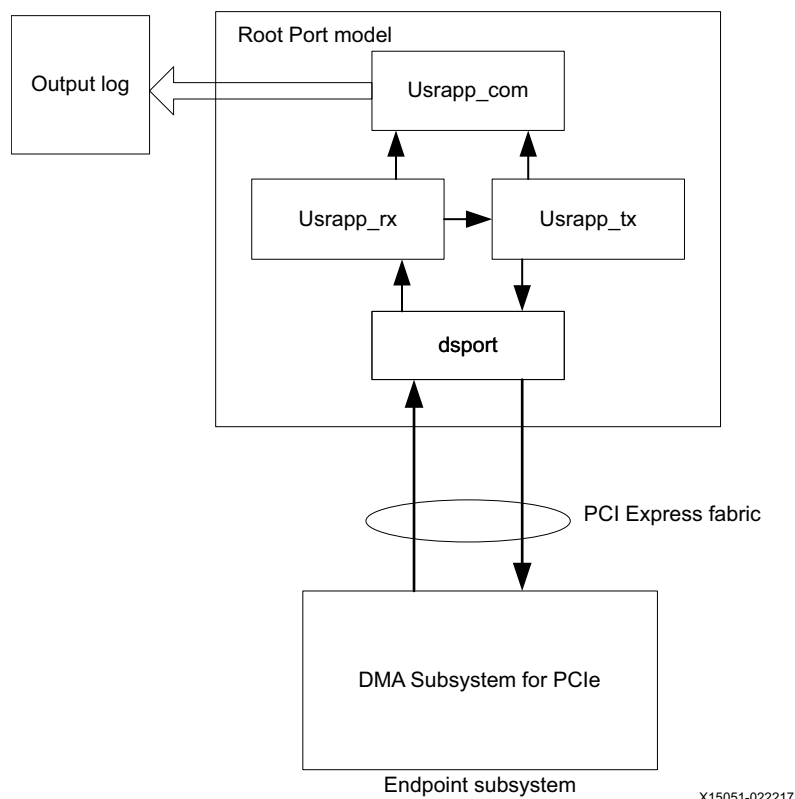


Figure 6-1: Root Port Module with DMA Subsystem for PCIe

## Architecture

The Root Port Model, illustrated in Figure 6-1, consists of these blocks:

- `dsport` (Root Port)
- `ustrapp_tx`
- `ustrapp_rx`
- `ustrapp_com` (Verilog only)

The `ustrapp_tx` and `ustrapp_rx` blocks interface with the `dsport` block for transmission and reception of TLPs to/from the EndPoint DUT. The Endpoint DUT consists of the DMA Subsystem for PCIe.

The `ustrapp_tx` block sends TLPs to the `dsport` block for transmission across the PCI Express Link to the Endpoint DUT. In turn, the Endpoint DUT device transmits TLPs across the PCI Express Link to the `dsport` block, which are subsequently passed to the `ustrapp_rx` block. The `dsport` and core are responsible for the data link layer and physical link layer processing when communicating across the PCI Express logic. Both `ustrapp_tx` and `ustrapp_rx` utilize the `ustrapp_com` block for shared functions, for example, TLP processing and log file outputting.

PIO write and read are initiated by `usrapp_tx`.

The DMA Subsystem for PCIe uses the 7 series Gen2 Integrated Block for PCIe, the 7 series Gen3 Integrated Block for PCIe, the UltraScale™ Devices Gen3 Integrate Block for PCIe, and the UltraScale+™ Devices Integrate Block for PCIe. See the “Test Bench” chapter in the *7 Series FPGAs Integrated Block for PCI Express LogiCORE IP Product Guide (PG054)* [Ref 4], *Virtex-7 FPGA Integrated Block for PCI Express Product Guide (PG023)* [Ref 5], *UltraScale Architecture Gen3 Integrated Block for PCI Express Product Guide (PG156)* [Ref 6], or *UltraScale+ Devices Integrated Block for PCI Express LogiCORE IP Product Guide (PG213)* [Ref 7], respectively.

## Test Case

The DMA Subsystem for PCIe can be configured as AXI4 Memory Mapped (AXI-MM) or AXI4-Stream (AXI\_ST) interface. The simulation test case reads configuration register to determine if a AXI4 Memory Mapped or AXI4-Stream configuration. The test case, based on the AXI settings, performs simulation for either configuration.

Table 6-1: Test Case Descriptions

Test Case Name	Description
Dma_test0	AXI4 Memory Mapped interface simulation. Reads data from host memory and writes to block RAM (H2C). Then, reads data from block RAM and write to host memory (C2H). The test case at the end compares data for correctness.
Dma_stream0	AXI4-Stream interface simulation. Reads data from host memory and sends to AXI4-Stream user interface (H2C), and the data is looped back to host memory (C2H).

## Simulation

Simulation is set up to transfer one descriptor in H2C and one descriptor in C2H direction. Transfer size is set to 128 bytes in each descriptor. For both AXI-MM and AXI-Stream, data is read from Host and sent to Card (H2C). Then data is read from Card and sent to Host (C2H). Data read from Card is compared with original data for data validity.

Limitations:

- Simulation does not support Interrupts. Test case just reads status and complete descriptor count registers to decide if transfer is completed.
- Simulations are done only for Channel 0. In a future release, multi channels simulations will be enabled.
- Transfer size is limited to 128 bytes and only one descriptor.
- Root port simulation model is not a complete BFM. Simulation supports one descriptor transfer which shows a basic DMA procedure.

### ***AXI4 Memory Mapped Interface***

First, the test case starts the H2C engine. The H2C engine reads data from host memory and writes to block RAM on user side. Then, the test case starts the C2H engine. The C2H engine reads data from block RAM and writes to host memory. The following are the simulation steps:

1. The test case sets up one descriptor for the H2C engine.
2. The H2C descriptor is created in the Host memory. The H2C descriptor gives data length 128 bytes, source address (host), and destination address (Card).
3. The test case writes data (incremental 128 bytes of data) in the source address space.
4. The test case also sets up one descriptor for the C2H engine.
5. The C2H descriptor gives data length 128 bytes, source address (Card), and destination address (host).
6. The PIO writes to H2C descriptor starting register (0x4080 and 0x4084).
7. The PIO writes to H2C control register to start H2C transfer (address 0x0004). Bit 0 is set to 1 to start the transfer. For details of control register, refer to [Table 2-40](#).
8. The DMA transfer takes the data host source address and sends to the block RAM destination address.
9. The test case then starts the C2H transfer.
10. The PIO writes to the C2H descriptor starting register (0x5080 and 0x5084).
11. The PIO writes to the C2H control register to start the C2H transfer (0x00fffe7f to address 0x0004). Bit 0 is set to 1 to start the transfer. For details of control the register, see [Table 2-59](#).
12. The DMA transfer takes data from the block RAM source address and sends data to the host destination address.
13. The test case then compares the data for correctness.
14. The test case checks for the H2C and C2H descriptor completed count (value of 1).
15. The test case then disables transfer by deactivating the Run bit (bit0) in the Control registers (0x0004 and 0x1004) for the H2C and C2H engines.

### ***AXI4-Stream Interface***

For AXI4-Stream, the example design is a loopback design. Channel H2C\_0 is looped back to C2H\_0 (and so on) for all other channels. First, the test case starts the C2H engine. The C2H engine waits for data that is transmitted by the H2C engine. Then, the test case starts the H2C engine. The H2C engine reads data from host and sends to the Card, which is looped back to the C2H engine. The C2H engine then takes the data, and writes back to host memory. The following are the simulation steps:

1. The test case sets up one descriptor for the H2C engine.
2. The H2C descriptor is created in the Host memory. The H2C descriptor gives the data length 128 bytes, Source address (host), and Destination address (Card).
3. The test case writes data (incremental 128 bytes of data) in the Host source address space.
4. The test case also sets up one descriptor for the C2H engine in Host memory.
5. The C2H descriptor gives data length 128 bytes, source address (Card), and destination address (host).
6. The PIO writes to the C2H descriptor starting register.
7. The PIO writes to the C2H control register to start the C2H transfer first.
8. The C2H engine starts and waits for data to come from the H2C ports.
9. The PIO writes to the H2C descriptor starting register.
10. The PIO writes to the H2C control register to start H2C transfer.
11. The H2C engine takes data from the host source address to the Card destination address.
12. The data is looped back to the C2H engine.
13. The C2H engine read data from the Card and writes it back to the Host memory destination address.
14. The test case checks for the H2C and C2H descriptor completed count (value of 1).
15. The test case then compares the data for correctness.
16. The test case then disables transfer by deactivating the Run bit (bit 0) in the Control registers 0x0004 and 0x1004 for the H2C and C2H engines.

## Descriptor Bypass Mode

Simulation for Descriptor bypass mode is possible when Channel 0 of both H2C and C2H are selected for descriptor bypass option. The example design generated has one descriptor ready to pump in the Descriptor bypass mode interface.

### ***AXI-MM Descriptor Bypass Mode Simulation***

1. The example design has a predefined descriptor for the H2C and C2H engine.
2. The H2C descriptor has 64 bytes of data, source address (Host) and destination address (Card).
3. The C2H descriptor has 64 bytes of data, source address (Card) and destination address (Host).
4. The test case writes incremental 64 bytes of data to the Host memory source address.



5. The PIO writes to the H2C engine Control register to start the transfer (0x0004).
6. The DMA reads data from the Host address and sends it to the Card block RAM destination address.
7. The PIO writes to the C2H engine Control register to start the transfer (0x1004).
8. The DMA reads data from the Card block RAM source address and sends it to the Host destination address.
9. The test case compares data for correctness.
10. The test case checks for the H2C and C2H descriptor completed count (value of 1).
11. The test case then disables the transfer by deasserting the Run bit (bit 0) in the Control register for the H2C and C2H engine(0x0004 and 0x1004).

### ***AXI-Stream Descriptor Bypass Mode Simulation With Loopback Design***

1. The example design has a predefined descriptor for the H2C and C2H engine.
2. The H2C descriptor has 64 bytes of data, source address (Host) and destination address (Card).
3. The C2H descriptor has 64 bytes of data, source address (Card) and destination address (Host).
4. The test case writes incremental 64 bytes of data to Host memory source address.
5. The PIO writes to the C2H engine Control register to start the transfer (0x1004).
6. The C2H engine starts the DMA transfer but waits for data (loopback design).
7. The PIO writes to the H2C engine Control register to start the transfer (0x0004).
8. The H2C engine reads data from the Host address and sends it to Card.
9. The data is looped back to the C2H engine.
10. The C2H engine reads data from the Card and sends it to the Host destination address.
11. The test case compares data for correctness.
12. The test case checks for the H2C and C2H descriptor completed count (value of 1).
13. The test case then disables the transfer by deasserting the Run bit (bit 0) in the Control register for the H2C and C2H engine (0x0004 and 0x1004).

When the transfer is started, one H2C and one C2H descriptor are transferred in Descriptor bypass interface and after that DMA transfers are performed as explained in above section. Descriptor is setup for 64 bytes transfer only.

### ***Simulation updates***

The following simulation updates are scheduled for the upcoming 2017.2 release.

- Multi channels simulation (more than Channel 0)
- Multi descriptor simulation (more than Channel 1 descriptor)

Following is an overview of how existing root port tasks can be modified to archive to achieve the above cases, which are not covered in the 2017.1 release.

### **Multi-Channels Simulation, Example Channel 1 H2C and C2H**

1. Create an H2C Channel 1 descriptor in the Host memory address that is different than the H2C and C2H Channel 0 descriptor.
2. Create a C2H Channel 1 descriptor in the Host memory address that is different than the H2C and C2H Channel 0 and H2C Channel 1 descriptor.
3. Create transfer data (128 Bytes) for the H2C Channel 1 transfer in the Host memory which does not overwrite any of the 4 descriptors in the Host memory (H2C and C2H Channel 0 and Channel 1 descriptors), and H2C Channel 0 data.
4. Also make sure the H2C data in the Host memory does not overlap the C2H data transfer space for both C2H Channel 0 and 1.
5. Write the descriptor starting address to H2C Channel 0 and 1.
6. Enable multi-channel transfer by writing to control register (bit 0) of H2C Channel 0 and 1.
7. Enable multi-channel transfer by writing to control register (bit 0) of C2H Channel 0 and 1.
8. Compare the data for correctness.

The same procedure applies for AXI-Stream configuration. Refer to above section for detailed explanation of the AXI-Stream transfer.

### **Multi Descriptor Simulation**

1. Create a transfer of 256 bytes data (incremental or any data). Split the data into two 128 bytes of data section. First, the data starts at address S1, and second, 128 bytes starts at address S2.
2. Create a new descriptor (named DSC\_H2C\_1) in the Host memory address at DSC1.
3. The DSC\_H2C\_1 descriptor has 128 bytes for DMA transfer, Host address S1 (source) and destination address D1 (card).
4. Create a new descriptor (named DSC\_H2C\_2) in the Host memory at address DSC2 that is different from DSC\_H2C\_1 Descriptor.
5. The DSC\_H2C\_2 descriptor has 128 bytes for DMA transfer, Host address S2 (source) and destination address D2 (card).
6. Link these two descriptors by adding next descriptor address in DSC\_H2C\_1. Write DSC2 in next descriptor field.

7. Wire the descriptor starting address to H2C Channel 0.
8. Enable DMA transfer for H2C Channel 0 by writing the Run bit in Control register 0x0004.

## Test Tasks

Table 6-2: Test Tasks

Name	Description
TSK_INIT_DATA_H2C	This task generates one descriptor for H2C engine and initializes source data in host memory.
TSK_INIT_DATA_C2H	This task generates one descriptor for C2H engine.
TSK_XDMA_REG_READ	This task reads the DMA Subsystem for PCIe register.
TSK_XDMA_REG_WRITE	This task writes the DMA Subsystem for PCIe register.
COMPARE_DATA_H2C	This task compares source data in the host memory to destination data written to block RAM. This task is used in AXI4 Memory Mapped simulation.
COMPARE_DATA_C2H	This task compares the original data in the host memory to the data C2H engine writing to host. This task is used in AXI4 Memory Mapped simulation
TSK_XDMA_FIND_BAR	This task finds XDMA configuration space between different enabled BARs. (BAR0 to BAR6)

For other PCIe related tasks, see the "Test Bench" chapter in the *7 Series FPGAs Integrated Block for PCI Express LogiCORE IP Product Guide (PG054)* [Ref 4], *Virtex-7 FPGA Integrated Block for PCI Express Product Guide (PG023)* [Ref 5], *UltraScale Architecture Gen3 Integrated Block for PCI Express Product Guide (PG156)* [Ref 6], or *UltraScale+ Devices Integrated Block for PCI Express LogiCORE IP Product Guide (PG213)* [Ref 7].

# Device Driver

This chapter provide details about the Linux device driver that is provided with the core. For additional information about the driver, see [AR 65444](#).

---

## Overview

The Linux device driver has the following character device interfaces:

- User character device for access to user components.
- Control character device for controlling DMA Subsystem for PCIe components.
- Events character device for waiting for interrupt events.
- SGDMA character devices for high performance transfers.

The user accessible devices are as follows:

- **XDMA0\_control**: Used to access DMA Subsystem for PCIe registers.
- **XDMA0\_user**: Used to access AXI-Lite master interface.
- **XDMA0\_bypass**: Used to access DMA Bypass interface.
- **XDMA0\_events\_\***: Used to recognize user interrupts.

---

## Interrupt Processing

### Legacy Interrupts

There are four types of legacy interrupts: A, B, C and D. You can select any interrupts in the **PCIe Misc** tab under **Legacy Interrupt Settings**. You must program the corresponding values for both IRQ Block Channel Vector (see [Table 2-92](#)) and IRQ Block User Vector (see [Table 2-88](#)). Values for each legacy interrupts are A = 0, B = 1, C = 2 and D = 3. The host recognizes interrupts only based on these values.

## MSI Interrupts

For MSI interrupts, you can select from 1 to 32 vectors in the **PCIe Misc** tab under **MSI Capabilities**. The Linux operating system (OS) supports only 1 vector. Other operating systems might support more vectors and you can program different vectors values in the IRQ Block Channel Vector (see [Table 2-92](#)) and in the IRQ Block User Vector (see [Table 2-88](#)) to represent different interrupt sources. The Xilinx Linux driver supports only 1 MSI vector.

## MSI-X Interrupts

The DMA supports up to 32 different interrupt source for MSI-X. The DMA has 32 entire tables, one for each source (see [Table 2-126](#)). For MSI-X channel interrupt processing the driver should use the Engine Interrupt Enable Mask for H2C and C2H (see [Table 2-49](#) or [Table 2-68](#)) to disable and enable interrupts.

## User Interrupts

The user logic must hold `usr_irq_req` active-High even after receiving `usr_irq_ack` (acks) for the user interrupt to work properly. This enables the driver to determine the source of the interrupt. Once the driver receives user interrupts, the driver or software can reset the user interrupts (`usr_irq_req`). This is the same for MSI and Legacy Interrupts. For MSI-X interrupts, the MSI-X table can be programmed with user interrupt information. Once the host receives the interrupt, the driver or software is aware of the interrupt source so the user logic can deassert `usr_irq_req` after receiving ack.

## Example H2C Flow

In the example H2C flow, `loaddriver.sh` loads devices for all available channels. The `dma_to_device` user program transfers data from host to Card.

The example H2C flow sequence is as follow:

1. Open the H2C device and initialize the DMA.
2. The user program reads the data file, allocates a buffer pointer, and passes the pointer to write function with the specific device (H2C) and data size.
3. The driver creates a descriptor based on input data/size and initializes the DMA with descriptor start address, and if there are any adjacent descriptor.
4. The driver writes a control register to start the DMA transfer.
5. The DMA reads descriptor from the host and starts processing each descriptor.
6. The DMA fetches data from the host and sends the data to the user side. After all data is transferred based on the settings, the DMA generates an interrupt to the host.

7. The ISR driver processes the interrupt to find out which engine is sending the interrupt and checks the status to see if there are any errors. It also checks how many descriptors are processed.
8. After the status is good, the driver returns the transfer byte length to the user side so it can check for the same.

---

## Example C2H Flow

In the example C2H flow, `loaddriver.sh` loads the devices for all available channels. The `dma_from_device` user program transfers data from Card to host.

The example C2H flow sequence is as follow:

1. Open device C2H and initialize the DMA.
2. The user program allocates buffer pointer (based on size), passes pointer to read function with specific device (C2H) and data size.
3. The driver creates descriptor based on size and initializes the DMA with descriptor start address. Also if there are any adjacent descriptor.
4. The driver writes control register to start the DMA transfer.
5. The DMA reads descriptor from host and starts processing each descriptor.
6. The DMA fetches data from Card and sends data to host. After all data is transferred based on the settings, the DMA generates an interrupt to host.
7. The ISR driver processes the interrupt to find out which engine is sending the interrupt and checks the status to see if there are any errors and also checks how many descriptors are processed.
8. After the status is good, the drive returns transfer byte length to user side so it can check for the same.

# Upgrading

This appendix contains information about upgrading to a more recent version of the IP core.

## New Parameters

New parameters in the core are as follows.

Table B-1: New Parameters

User Parameter Name	Display Name	New/ Changed/ Removed	Details	Default Value
legacy_cfg_ext_if	Legacy Config Extended Interface	New	When checked enables the legacy extended config interface	Unchecked
drp_clk_sel	GT DRP Clock Source	New	Selects the clock source from GT DRP interface. Internal : Uses Reference clock as GT DRP clock; External : Uses External free running clock as GT DRP clock	Internal
free_run_freq	Free Run Clock Frequency (MHz)	New	Allows to select the 100_MHz or 125_MHz frequency when gt drp external clock source and(or) IBERT is enabled.	100_MHz
en_l23_entry	Support PM_L23 Entry	New	When checked supports PM_L23 Entry. PM_ENABLE_L23_ENTRY attribute will be set to TRUE	Unchecked
enable_ibert	Enable In System IBERT	New	Enables Insystem IBERT debugging feature of subcore	Unchecked

Table B-1: New Parameters (Cont'd)

User Parameter Name	Display Name	New/Changed/Removed	Details	Default Value
dma_reset_source_sel	Reset Source	New	Indicates option to select the source of Reset generation among User Reset, Sys Reset and Phy Ready from base IP. Phy_Ready option keeps DMA/Bridge active even when pcie link goes down and also keeps AXI interface active	User_Reset
gtwiz_in_core_us	GT Wizard Option	New	This parameter enables user to select the shared logic option for GT Wiz in core or in example design for UltraScale devices	Include GT Wizard in core
gtwiz_in_core_usp	GT Wizard Option	New	This parameter enables user to select the shared logic option for GT Wiz in core or in example design for UltraScale Plus devices	Include GT Wizard in core

## New Ports

The ports in [Table B-2](#) appear at the boundary when the **Include GT Wizard in example design** option is selected in the [Shared Logic Tab](#).

Table B-2: Ports Available for Shared Logic (GT Wizard in example design Option)

Name	Direction	Width
gtrefclk01_in	Out	[(PL_LINK_CAP_MAX_LINK_WIDTH-1)>>2:0]
gtrefclk00_in	Out	[(PL_LINK_CAP_MAX_LINK_WIDTH-1)>>2:0]
pcierateqpll0_in	Out	[((((PL_LINK_CAP_MAX_LINK_WIDTH-1)>>2)+1)*3)-1:0]
pcierateqpll1_in	Out	[((((PL_LINK_CAP_MAX_LINK_WIDTH-1)>>2)+1)*3)-1:0]
qpll0pd_in	Out	[(PL_LINK_CAP_MAX_LINK_WIDTH-1)>>2:0]
qpll0reset_in	Out	[(PL_LINK_CAP_MAX_LINK_WIDTH-1)>>2:0]
qpll1pd_in	Out	[(PL_LINK_CAP_MAX_LINK_WIDTH-1)>>2:0]
qpll1reset_in	Out	[(PL_LINK_CAP_MAX_LINK_WIDTH-1)>>2:0]
qpll0lock_out	In	[(PL_LINK_CAP_MAX_LINK_WIDTH-1)>>2:0]
qpll0outclk_out	In	[(PL_LINK_CAP_MAX_LINK_WIDTH-1)>>2:0]
qpll0outrefclk_out	In	[(PL_LINK_CAP_MAX_LINK_WIDTH-1)>>2:0]
qpll1lock_out	In	[(PL_LINK_CAP_MAX_LINK_WIDTH-1)>>2:0]



Table B-2: Ports Available for Shared Logic (GT Wizard in example design Option) (Cont'd)

Name	Direction	Width
qpll1outclk_out	In	[(PL_LINK_CAP_MAX_LINK_WIDTH-1)>>2:0]
qpll1outrefclk_out	In	[(PL_LINK_CAP_MAX_LINK_WIDTH-1)>>2:0]
qpll0freqlock_in	Out	[PL_LINK_CAP_MAX_LINK_WIDTH-1:0]
qpll1freqlock_in	Out	[PL_LINK_CAP_MAX_LINK_WIDTH-1:0]
pcierateqpllpd_out	In	[(PL_LINK_CAP_MAX_LINK_WIDTH*2)-1:0]
pcierateqpllreset_out	In	[(PL_LINK_CAP_MAX_LINK_WIDTH*2)-1:0]
rcalenb_in	Out	[(PL_LINK_CAP_MAX_LINK_WIDTH-1)>>2:0]
txpisopd_in	Out	[PL_LINK_CAP_MAX_LINK_WIDTH-1:0]
bufgtce_out	In	[PL_LINK_CAP_MAX_LINK_WIDTH-1:0]
bufgtcemask_out	In	[(PL_LINK_CAP_MAX_LINK_WIDTH* 3)-1:0]
bufgtdiv_out	In	[(PL_LINK_CAP_MAX_LINK_WIDTH* 9)-1:0]
bufgtreset_out	In	[PL_LINK_CAP_MAX_LINK_WIDTH-1:0]
bufgtrstmask_out	In	[(PL_LINK_CAP_MAX_LINK_WIDTH* 3)-1:0]
cppll0freqlock_in	Out	[PL_LINK_CAP_MAX_LINK_WIDTH-1:0]
cppll0lock_out	In	[PL_LINK_CAP_MAX_LINK_WIDTH-1:0]
cppll0pd_in	Out	[PL_LINK_CAP_MAX_LINK_WIDTH-1:0]
cppll0reset_in	Out	[PL_LINK_CAP_MAX_LINK_WIDTH-1:0]
dmonfiforeset_in	Out	[PL_LINK_CAP_MAX_LINK_WIDTH-1:0]
dmonitorclk_in	Out	[PL_LINK_CAP_MAX_LINK_WIDTH-1:0]
dmonitorout_out	In	[(PL_LINK_CAP_MAX_LINK_WIDTH*16)-1:0]
eyescanreset_in	Out	[PL_LINK_CAP_MAX_LINK_WIDTH-1:0]
gtpowergood_out	In	[PL_LINK_CAP_MAX_LINK_WIDTH-1:0]
gtrefclk0_in	Out	[PL_LINK_CAP_MAX_LINK_WIDTH-1:0]
gtrxreset_in	Out	[PL_LINK_CAP_MAX_LINK_WIDTH-1:0]
gttxreset_in	Out	[PL_LINK_CAP_MAX_LINK_WIDTH-1:0]
loopback_in	Out	[(PL_LINK_CAP_MAX_LINK_WIDTH* 3)-1:0]
pcieeqrxeqadaptdone_in	Out	[PL_LINK_CAP_MAX_LINK_WIDTH-1:0]
pcierategen3_out	In	[PL_LINK_CAP_MAX_LINK_WIDTH-1:0]
pcierateidle_out	In	[PL_LINK_CAP_MAX_LINK_WIDTH-1:0]
pcierstidle_in	Out	[PL_LINK_CAP_MAX_LINK_WIDTH-1:0]
pciersttxsyncstart_in	Out	[PL_LINK_CAP_MAX_LINK_WIDTH-1:0]
pciesynctxsyncdone_out	In	[PL_LINK_CAP_MAX_LINK_WIDTH-1:0]
pcieusergen3rdy_out	In	[PL_LINK_CAP_MAX_LINK_WIDTH-1:0]
pcieuserphystatusrst_out	In	[PL_LINK_CAP_MAX_LINK_WIDTH-1:0]
pcieusererratedone_in	Out	[PL_LINK_CAP_MAX_LINK_WIDTH-1:0]

Table B-2: Ports Available for Shared Logic (GT Wizard in example design Option) (Cont'd)

Name	Direction	Width
pcieuserratestart_out	In	[PL_LINK_CAP_MAX_LINK_WIDTH-1:0]
phystatus_out	In	[PL_LINK_CAP_MAX_LINK_WIDTH-1:0]
resetovrd_in	Out	[PL_LINK_CAP_MAX_LINK_WIDTH-1:0]
rx8b10ben_in	Out	[PL_LINK_CAP_MAX_LINK_WIDTH-1:0]
rxbufreset_in	Out	[PL_LINK_CAP_MAX_LINK_WIDTH-1:0]
rxbufstatus_out	In	[(PL_LINK_CAP_MAX_LINK_WIDTH*3)-1:0]
rxbyteisaligned_out	In	[PL_LINK_CAP_MAX_LINK_WIDTH-1:0]
rxbyterealign_out	In	[PL_LINK_CAP_MAX_LINK_WIDTH-1:0]
rxcdfreqreset_in	Out	[PL_LINK_CAP_MAX_LINK_WIDTH-1:0]
rxcdrhold_in	Out	[PL_LINK_CAP_MAX_LINK_WIDTH-1:0]
rxcdrlock_out	In	[PL_LINK_CAP_MAX_LINK_WIDTH-1:0]
rxcdrreset_in	Out	[PL_LINK_CAP_MAX_LINK_WIDTH-1:0]
rxclkcorcnt_out	In	[(PL_LINK_CAP_MAX_LINK_WIDTH * 2)-1:0]
rxcommadet_out	In	[PL_LINK_CAP_MAX_LINK_WIDTH-1:0]
rxcommadeten_in	Out	[PL_LINK_CAP_MAX_LINK_WIDTH-1:0]
rxctrl0_out	In	[(PL_LINK_CAP_MAX_LINK_WIDTH*16)-1:0]
rxctrl1_out	In	[(PL_LINK_CAP_MAX_LINK_WIDTH*16)-1:0]
rxctrl2_out	In	[(PL_LINK_CAP_MAX_LINK_WIDTH*8)-1:0]
rxctrl3_out	In	[(PL_LINK_CAP_MAX_LINK_WIDTH*8)-1:0]
rxdata_out	In	[(PL_LINK_CAP_MAX_LINK_WIDTH*128)-1:0]
rxdfcagchold_in	Out	[PL_LINK_CAP_MAX_LINK_WIDTH-1:0]
rxdfecfokhold_in	Out	[PL_LINK_CAP_MAX_LINK_WIDTH-1:0]
rxdfekhold_in	Out	[PL_LINK_CAP_MAX_LINK_WIDTH-1:0]
rxdfelfhold_in	Out	[PL_LINK_CAP_MAX_LINK_WIDTH-1:0]
rxdfelpmreset_in	Out	[PL_LINK_CAP_MAX_LINK_WIDTH-1:0]
rxdfetap10hold_in	Out	[PL_LINK_CAP_MAX_LINK_WIDTH-1:0]
rxdfetap11hold_in	Out	[PL_LINK_CAP_MAX_LINK_WIDTH-1:0]
rxdfetap12hold_in	Out	[PL_LINK_CAP_MAX_LINK_WIDTH-1:0]
rxdfetap13hold_in	Out	[PL_LINK_CAP_MAX_LINK_WIDTH-1:0]
rxdfetap14hold_in	Out	[PL_LINK_CAP_MAX_LINK_WIDTH-1:0]
rxdfetap15hold_in	Out	[PL_LINK_CAP_MAX_LINK_WIDTH-1:0]
rxdfetap2hold_in	Out	[PL_LINK_CAP_MAX_LINK_WIDTH-1:0]
rxdfetap3hold_in	Out	[PL_LINK_CAP_MAX_LINK_WIDTH-1:0]
rxdfetap4hold_in	Out	[PL_LINK_CAP_MAX_LINK_WIDTH-1:0]
rxdfetap5hold_in	Out	[PL_LINK_CAP_MAX_LINK_WIDTH-1:0]

Table B-2: Ports Available for Shared Logic (GT Wizard in example design Option) (Cont'd)

Name	Direction	Width
rxdfetap6hold_in	Out	[PL_LINK_CAP_MAX_LINK_WIDTH-1:0]
rxdfetap7hold_in	Out	[PL_LINK_CAP_MAX_LINK_WIDTH-1:0]
rxdfetap8hold_in	Out	[PL_LINK_CAP_MAX_LINK_WIDTH-1:0]
rxdfetap9hold_in	Out	[PL_LINK_CAP_MAX_LINK_WIDTH-1:0]
rxdfeuhold_in	Out	[PL_LINK_CAP_MAX_LINK_WIDTH-1:0]
rxdfevphold_in	Out	[PL_LINK_CAP_MAX_LINK_WIDTH-1:0]
rxdlrsresetdone_out	In	[PL_LINK_CAP_MAX_LINK_WIDTH-1:0]
rxelecidle_out	In	[PL_LINK_CAP_MAX_LINK_WIDTH-1:0]
rxlpmen_in	Out	[PL_LINK_CAP_MAX_LINK_WIDTH-1:0]
rxlpmgchold_in	Out	[PL_LINK_CAP_MAX_LINK_WIDTH-1:0]
rxlpmhfhold_in	Out	[PL_LINK_CAP_MAX_LINK_WIDTH-1:0]
rxlpmfhold_in	Out	[PL_LINK_CAP_MAX_LINK_WIDTH-1:0]
rxlpmoshold_in	Out	[PL_LINK_CAP_MAX_LINK_WIDTH-1:0]
rxmcommaalignen_in	Out	[PL_LINK_CAP_MAX_LINK_WIDTH-1:0]
rxoshold_in	Out	[PL_LINK_CAP_MAX_LINK_WIDTH-1:0]
rxoutclk_out	In	[PL_LINK_CAP_MAX_LINK_WIDTH-1:0]
rxoutclkfabric_out	In	[PL_LINK_CAP_MAX_LINK_WIDTH-1:0]
rxoutclkpcs_out	In	[PL_LINK_CAP_MAX_LINK_WIDTH-1:0]
rxpcommaalignen_in	Out	[PL_LINK_CAP_MAX_LINK_WIDTH-1:0]
rxpcsreset_in	Out	[PL_LINK_CAP_MAX_LINK_WIDTH-1:0]
rxpd_in	Out	[(PL_LINK_CAP_MAX_LINK_WIDTH* 2)-1:0]
rxphaligndone_out	In	[PL_LINK_CAP_MAX_LINK_WIDTH-1:0]
rxpmareset_in	Out	[PL_LINK_CAP_MAX_LINK_WIDTH-1:0]
rxpmaresetdone_out	In	[PL_LINK_CAP_MAX_LINK_WIDTH-1:0]
rxpolarity_in	Out	[PL_LINK_CAP_MAX_LINK_WIDTH-1:0]
rxprbscntreset_in	Out	[PL_LINK_CAP_MAX_LINK_WIDTH-1:0]
rxprbserr_out	In	[PL_LINK_CAP_MAX_LINK_WIDTH-1:0]
rxprbslocked_out	In	[PL_LINK_CAP_MAX_LINK_WIDTH-1:0]
rxprbsssel_in	Out	[(PL_LINK_CAP_MAX_LINK_WIDTH* 4)-1:0]
rxprogdivreset_in	Out	[PL_LINK_CAP_MAX_LINK_WIDTH-1:0]
rxrate_in	Out	[(PL_LINK_CAP_MAX_LINK_WIDTH* 3)-1:0]
rxratedone_out	In	[PL_LINK_CAP_MAX_LINK_WIDTH-1:0]
rxreclkout_out	In	[PL_LINK_CAP_MAX_LINK_WIDTH-1:0]
rxresetdone_out	In	[PL_LINK_CAP_MAX_LINK_WIDTH-1:0]
rxslide_in	Out	[PL_LINK_CAP_MAX_LINK_WIDTH-1:0]

Table B-2: Ports Available for Shared Logic (GT Wizard in example design Option) (Cont'd)

Name	Direction	Width
rxstatus_out	In	[(PL_LINK_CAP_MAX_LINK_WIDTH* 3)-1:0]
rxsyncdone_out	In	[PL_LINK_CAP_MAX_LINK_WIDTH-1:0]
rxtermination_in	Out	[PL_LINK_CAP_MAX_LINK_WIDTH-1:0]
rxuserddy_in	Out	[PL_LINK_CAP_MAX_LINK_WIDTH-1:0]
rxusrclk2_in	Out	[PL_LINK_CAP_MAX_LINK_WIDTH-1:0]
rxusrclk_in	Out	[PL_LINK_CAP_MAX_LINK_WIDTH-1:0]
rxvalid_out	In	[PL_LINK_CAP_MAX_LINK_WIDTH-1:0]
tx8b10ben_in	Out	[PL_LINK_CAP_MAX_LINK_WIDTH-1:0]
txctrl0_in	Out	[(PL_LINK_CAP_MAX_LINK_WIDTH*16)-1:0]
txctrl1_in	Out	[(PL_LINK_CAP_MAX_LINK_WIDTH*16)-1:0]
txctrl2_in	Out	[(PL_LINK_CAP_MAX_LINK_WIDTH* 8)-1:0]
txdata_in	Out	[(PL_LINK_CAP_MAX_LINK_WIDTH*128)-1:0]
txdeemph_in	Out	[(PL_LINK_CAP_MAX_LINK_WIDTH* 2)-1:0]
txdetectrx_in	Out	[PL_LINK_CAP_MAX_LINK_WIDTH-1:0]
txdiffctrl_in	Out	[(PL_LINK_CAP_MAX_LINK_WIDTH*5)-1:0]
txdlybypass_in	Out	[PL_LINK_CAP_MAX_LINK_WIDTH-1:0]
txdlyen_in	Out	[PL_LINK_CAP_MAX_LINK_WIDTH-1:0]
txdlyhold_in	Out	[PL_LINK_CAP_MAX_LINK_WIDTH-1:0]
txdlyovrden_in	Out	[PL_LINK_CAP_MAX_LINK_WIDTH-1:0]
txdlysreset_in	Out	[PL_LINK_CAP_MAX_LINK_WIDTH-1:0]
txdlysresetdone_out	In	[PL_LINK_CAP_MAX_LINK_WIDTH-1:0]
txdlyupdown_in	Out	[PL_LINK_CAP_MAX_LINK_WIDTH-1:0]
txelecidle_in	Out	[PL_LINK_CAP_MAX_LINK_WIDTH-1:0]
txmaincursor_in	Out	[(PL_LINK_CAP_MAX_LINK_WIDTH* 7)-1:0]
txmargin_in	Out	[(PL_LINK_CAP_MAX_LINK_WIDTH* 3)-1:0]
txoutclk_out	In	[PL_LINK_CAP_MAX_LINK_WIDTH-1:0]
txoutclkfabric_out	In	[PL_LINK_CAP_MAX_LINK_WIDTH-1:0]
txoutclkpcs_out	In	[PL_LINK_CAP_MAX_LINK_WIDTH-1:0]
txoutclkssel_in	Out	[(PL_LINK_CAP_MAX_LINK_WIDTH* 3)-1:0]
txpcsreset_in	Out	[PL_LINK_CAP_MAX_LINK_WIDTH-1:0]
txpd_in	Out	[(PL_LINK_CAP_MAX_LINK_WIDTH* 2)-1:0]
txphalign_in	Out	[PL_LINK_CAP_MAX_LINK_WIDTH-1:0]
txphaligndone_out	In	[PL_LINK_CAP_MAX_LINK_WIDTH-1:0]
txphalignen_in	Out	[PL_LINK_CAP_MAX_LINK_WIDTH-1:0]
txphdlypd_in	Out	[PL_LINK_CAP_MAX_LINK_WIDTH-1:0]

Table B-2: Ports Available for Shared Logic (GT Wizard in example design Option) (Cont'd)

Name	Direction	Width
txphdlyreset_in	Out	[PL_LINK_CAP_MAX_LINK_WIDTH-1:0]
txphdlystclk_in	Out	[PL_LINK_CAP_MAX_LINK_WIDTH-1:0]
txphinit_in	Out	[PL_LINK_CAP_MAX_LINK_WIDTH-1:0]
txphinitdone_out	In	[PL_LINK_CAP_MAX_LINK_WIDTH-1:0]
txphovrden_in	Out	[PL_LINK_CAP_MAX_LINK_WIDTH-1:0]
rxratemode_in	Out	[PL_LINK_CAP_MAX_LINK_WIDTH-1:0]
txpmareset_in	Out	[PL_LINK_CAP_MAX_LINK_WIDTH-1:0]
txpmaresetdone_out	In	[PL_LINK_CAP_MAX_LINK_WIDTH-1 : 0]
txpostcursor_in	Out	[(PL_LINK_CAP_MAX_LINK_WIDTH* 5)-1:0]
txprbsforceerr_in	Out	[PL_LINK_CAP_MAX_LINK_WIDTH-1:0]
txprbsssel_in	Out	[(PL_LINK_CAP_MAX_LINK_WIDTH* 4)-1:0]
txprecursor_in	Out	[(PL_LINK_CAP_MAX_LINK_WIDTH* 5)-1:0]
txprgdivresetdone_out	In	[PL_LINK_CAP_MAX_LINK_WIDTH-1:0]
txprogdivreset_in	Out	[PL_LINK_CAP_MAX_LINK_WIDTH-1:0]
txrate_in	Out	[(PL_LINK_CAP_MAX_LINK_WIDTH* 3)-1:0]
txresetdone_out	In	[PL_LINK_CAP_MAX_LINK_WIDTH-1:0]
txswing_in	Out	[PL_LINK_CAP_MAX_LINK_WIDTH-1:0]
txsyncallin_in	Out	[(PL_LINK_CAP_MAX_LINK_WIDTH-1:0]
txsyncdone_out	In	[PL_LINK_CAP_MAX_LINK_WIDTH-1:0]
txsyncin_in	Out	[(PL_LINK_CAP_MAX_LINK_WIDTH-1):0]
txsyncmode_in	Out	[PL_LINK_CAP_MAX_LINK_WIDTH-1:0]
txsyncout_out	In	[PL_LINK_CAP_MAX_LINK_WIDTH-1:0]
txuserddy_in	Out	[PL_LINK_CAP_MAX_LINK_WIDTH-1:0]
txusrclk2_in	Out	[PL_LINK_CAP_MAX_LINK_WIDTH-1:0]
txusrclk_in	Out	[PL_LINK_CAP_MAX_LINK_WIDTH-1:0]
drpclkin	Out	1 Bit
drpaddr_in	Out	[((PL_LINK_CAP_MAX_LINK_WIDTH * 10)-1):0]
drpen_in	Out	[((PL_LINK_CAP_MAX_LINK_WIDTH * 1)-1):0]
drprst_in	Out	[((PL_LINK_CAP_MAX_LINK_WIDTH * 1)-1):0]
drpwe_in	Out	[((PL_LINK_CAP_MAX_LINK_WIDTH * 1)-1):0]
drpdi_in	Out	[((PL_LINK_CAP_MAX_LINK_WIDTH * 16)-1):0]
drprdy_out	In	[((PL_LINK_CAP_MAX_LINK_WIDTH * 1)-1):0]
drpdo_out	In	[((PL_LINK_CAP_MAX_LINK_WIDTH * 16)-1):0]
gtwiz_reset_rx_done_in	Out	1 Bit
gtwiz_reset_tx_done_in	Out	1 Bit

Table B-2: Ports Available for Shared Logic (GT Wizard in example design Option) (Cont'd)

Name	Direction	Width
gtwiz_userclk_rx_active_in	Out	1 Bit
gtwiz_userclk_tx_active_in	Out	1 Bit

# Debugging

This appendix includes details about resources available on the Xilinx® Support website and debugging tools.

---

## Finding Help on Xilinx.com

To help in the design and debug process when using the DMA/Bridge Subsystem for PCIe, the [Xilinx Support web page](#) contains key resources such as product documentation, release notes, answer records, information about known issues, and links for obtaining further product support.

### Documentation

This product guide is the main document associated with the DMA/Bridge Subsystem for PCIe. This guide, along with documentation related to all products that aid in the design process, can be found on the [Xilinx Support web page](#) or by using the Xilinx Documentation Navigator.

Download the Xilinx Documentation Navigator from the [Downloads page](#). For more information about this tool and the features available, open the online help after installation.

### Solution Centers

See the [Xilinx Solution Centers](#) for support on devices, software tools, and intellectual property at all stages of the design cycle. Topics include design assistance, advisories, and troubleshooting tips.

See the [Xilinx Solution Center for PCI Express](#) for the DMA/Bridge Subsystem for PCIe.

## Answer Records

Answer Records include information about commonly encountered problems, helpful information on how to resolve these problems, and any known issues with a Xilinx product. Answer Records are created and maintained daily ensuring that users have access to the most accurate information available.

Answer Records for this core can be located by using the Search Support box on the main [Xilinx support web page](#). To maximize your search results, use proper keywords such as

- Product name
- Tool message(s)
- Summary of the issue encountered

A filter search is available after results are returned to further target the results.

### Master Answer Record for the DMA/Bridge Subsystem for PCIe

[AR 65443](#)

## Technical Support

Xilinx provides technical support at the [Xilinx Support web page](#) for this IP product when used as described in the product documentation. Xilinx cannot guarantee timing, functionality, or support if you do any of the following:

- Implement the solution in devices that are not defined in the documentation.
- Customize the solution beyond that allowed in the product documentation.
- Change any section of the design labeled DO NOT MODIFY.

To contact Xilinx Technical Support, navigate to the [Xilinx Support web page](#).

---

## Debug Tools

There are many tools available to address DMA/Bridge Subsystem for PCIe design issues. It is important to know which tools are useful for debugging various situations.

### Vivado Design Suite Debug Feature

The Vivado® Design Suite debug feature inserts logic analyzer and virtual I/O cores directly into your design. The debug feature also allows you to set trigger conditions to capture application and integrated block port signals in hardware. Captured signals can then be



analyzed. This feature in the Vivado IDE is used for logic debugging and validation of a design running in Xilinx devices.

The Vivado logic analyzer is used with the logic debug IP cores, including:

- ILA 2.0 (and later versions)
- VIO 2.0 (and later versions)

See the *Vivado Design Suite User Guide: Programming and Debugging* (UG908) [Ref 15].

## Reference Boards

Various Xilinx development boards support the DMA/Bridge Subsystem for PCIe. These boards can be used to prototype designs and establish that the core can communicate with the system.

- 7 series FPGA evaluation boards
  - VC709
  - KC705
- UltraScale FPGA Evaluation boards
  - KCU105
  - VCU108

---

## Hardware Debug

Hardware issues can range from link bring-up to problems seen after hours of testing. This section provides debug steps for common issues. The Vivado debug feature is a valuable resource to use in hardware debug. The signal names mentioned in the following individual sections can be probed using the debug feature for debugging the specific problems.

### General Checks

Ensure that all the timing constraints for the core were properly incorporated from the example design and that all constraints were met during implementation.

- Does it work in post-place and route timing simulation? If problems are seen in hardware but not in timing simulation, this could indicate a PCB issue. Ensure that all clock sources are active and clean.
- If using MMCMs in the design, ensure that all MMCMs have obtained lock by monitoring the `locked` port.

## Initial Debug of the DMA/Bridge Subsystem for PCIe

Status bits out of each engine can be used for initial debug of the subsystem. Per channel interface provides important status to the user application. See also [Table 2-31](#).

*Table C-1: Initial Debug of the DMA Subsystem for PCIe*

Bit Index	Field	Description
6	Run	Channel control register run bit.
5	IRQ_Pending	Asserted when the channel has interrupt pending.
4	Packet_Done	On an AXIST interface this bit indicates the last data indicated by the EOP bit has been posted.
3	Descriptor_Done	A descriptor has finished transferring data from the source and posted it to the destination.
2	Descriptor_Stop	Descriptor_Done and Stop bit set in the descriptor.
1	Descriptor_Completed	Descriptor_Done and Completed bit set in the descriptor.
0	Busy	Channel descriptor buffer is not empty or DMA requests are outstanding.

# Additional Resources and Legal Notices

---

## Xilinx Resources

For support resources such as Answers, Documentation, Downloads, and Forums, see [Xilinx Support](#).

---

## References

These documents provide supplemental material useful with this product guide:

1. [AMBA AXI4-Stream Protocol Specification](#)
2. PCI-SIG Documentation ([www.pcisig.com/specifications](http://www.pcisig.com/specifications))
3. *AXI Bridge for PCIe Express Gen3 Subsystem* ([PG194](#))
4. *7 Series FPGAs Integrated Block for PCI Express LogiCORE IP Product Guide* ([PG054](#))
5. *Virtex-7 FPGA Integrated Block for PCI Express LogiCORE IP Product Guide* ([PG023](#))
6. *UltraScale Architecture Gen3 Integrated Block for PCI Express LogiCORE IP Product Guide* ([PG156](#))
7. *UltraScale+ Devices Integrated Block for PCI Express LogiCORE IP Product Guide* ([PG213](#))
8. *Vivado Design Suite User Guide: Designing IP Subsystems using IP Integrator* ([UG994](#))
9. *Vivado Design Suite User Guide: Designing with IP* ([UG896](#))
10. *Vivado Design Suite User Guide: Getting Started* ([UG910](#))
11. *Vivado Design Suite User Guide: Using Constraints* ([UG903](#))
12. *Vivado Design Suite User Guide: Logic Simulation* ([UG900](#))
13. *Vivado Design Suite User Guide: Partial Reconfiguration* ([UG909](#))
14. *ISE to Vivado Design Suite Migration Guide* ([UG911](#))
15. *Vivado Design Suite User Guide: Programming and Debugging* ([UG908](#))
16. *Vivado Design Suite User Guide: Implementation* ([UG904](#))

17. LogiCORE IP AXI Interconnect Product Guide ([PG059](#))

## Revision History

The following table shows the revision history for this document.

Date	Version	Revision
06/07/2017	3.1	<ul style="list-style-type: none"> <li>Updated the [NUM_USR_INT-1:0] bit description details.</li> <li>Updated the PCI Extended Tag parameter description.</li> <li>Added a quick start for DMA C2H and H2C transfers in the Product Specification chapter.</li> </ul>
04/05/2017	3.1	<ul style="list-style-type: none"> <li>Updated driver support, Windows driver is in pre-production.</li> <li>Updated Identifier Version.</li> <li>Added new GUI parameters: Reset Source, MSI-X Implementation Location, and AXI outstanding transactions.</li> <li>Added Vivado IP Integrator-based example design.</li> <li>Updated the Simulation and Descriptor Bypass Mode sections in the Test Bench chapter.</li> <li>Added new parameters and ports to the Upgrading appendix.</li> </ul>
02/21/2017	3.0	<ul style="list-style-type: none"> <li>Updated supported UltraScale+ device speed grades in Table 2-11: Minimum Device Requirements.</li> </ul>
11/30/2016	3.0	<ul style="list-style-type: none"> <li>Updated the core name to reflect two core functional modes: AXI Bridge Subsystem for PCIe (UltraScale+ only), and DMA Subsystem for PCIe (all other supported devices).</li> <li>Organized the Customizing and Generating the Core section (Chapter 4) according to the options available for the two functional modes.</li> <li>Added Debug Options tab in the Vivado IDE to enable debugging options in the core.</li> <li>Updated Identifier Version.</li> </ul>
10/12/2016	3.0	<ul style="list-style-type: none"> <li>Added Artix and Zynq device restriction that 7A15T and 7A25T are the only ones not supported.</li> </ul>

Date	Version	Revision
10/05/2016	3.0	<ul style="list-style-type: none"> <li>• Added additional device family support.</li> <li>• Add support for use with the Xilinx PCI Express Gen2 Integrated Block core.</li> <li>• Added performance data to an Answer Record on the web.</li> <li>• Updated datapath width and restriction in the Address Alignment and Length Granularity tables in the DMA Operations section.</li> <li>• Updated Port Descriptions:               <ul style="list-style-type: none"> <li>◦ Added support for Parity ports.</li> <li>◦ Added support for the Configuration Extend ports.</li> </ul> </li> <li>• Updated Register Space descriptions:               <ul style="list-style-type: none"> <li>◦ Updated Identifier Version.</li> <li>◦ Added H2C SGDMA Descriptor Credits (0x8C), C2H SGDMA Descriptor Credits (0x8C0), SGDMA Descriptor Credit Mode Enable (0x20), SG Descriptor Mode Enable Register (0x24), SG Descriptor Mode Enable Register (0x28).</li> </ul> </li> <li>• Updated Vivado IP catalog description (2016.3):               <ul style="list-style-type: none"> <li>◦ Updated PCIe: BARs tab, PCIe: Misc tab, and PCIe: DMA tab.</li> <li>◦ Added Shared Logic tab.</li> </ul> </li> <li>• Added Basic Vivado Simulation section.</li> <li>• Added AXI-MM Example with Descriptor Bypass Mode section.</li> <li>• Added additional supported 7 series evaluation board in Debugging appendix).</li> </ul>
06/08/2016	2.0	<ul style="list-style-type: none"> <li>• Identifier Version update</li> <li>• AXI4-Stream Writeback Disable Control bit documented</li> </ul>
04/06/2016	2.0	Initial Xilinx release.

## Please Read: Important Legal Notices

The information disclosed to you hereunder (the "Materials") is provided solely for the selection and use of Xilinx products. To the maximum extent permitted by applicable law: (1) Materials are made available "AS IS" and with all faults, Xilinx hereby DISCLAIMS ALL WARRANTIES AND CONDITIONS, EXPRESS, IMPLIED, OR STATUTORY, INCLUDING BUT NOT LIMITED TO WARRANTIES OF MERCHANTABILITY, NON-INFRINGEMENT, OR FITNESS FOR ANY PARTICULAR PURPOSE; and (2) Xilinx shall not be liable (whether in contract or tort, including negligence, or under any other theory of liability) for any loss or damage of any kind or nature related to, arising under, or in connection with, the Materials (including your use of the Materials), including for any direct, indirect, special, incidental, or consequential loss or damage (including loss of data, profits, goodwill, or any type of loss or damage suffered as a result of any action brought by a third party) even if such damage or loss was reasonably foreseeable or Xilinx had been advised of the possibility of the same. Xilinx assumes no obligation to correct any errors contained in the Materials or to notify you of updates to the Materials or to product specifications. You may not reproduce, modify, distribute, or publicly display the Materials without prior written consent. Certain products are subject to the terms and conditions of Xilinx's limited warranty, please refer to Xilinx's Terms of Sale which can be viewed at <https://www.xilinx.com/legal.htm#tos>; IP cores may be subject to warranty and support terms contained in a license issued to you by Xilinx. Xilinx products are not designed or intended to be fail-safe or for use in any application requiring fail-safe performance; you assume sole risk and liability for use of Xilinx products in such critical applications, please refer to Xilinx's Terms of Sale which can be viewed at <https://www.xilinx.com/legal.htm#tos>.

### AUTOMOTIVE APPLICATIONS DISCLAIMER

AUTOMOTIVE PRODUCTS (IDENTIFIED AS "XA" IN THE PART NUMBER) ARE NOT WARRANTED FOR USE IN THE DEPLOYMENT OF AIRBAGS OR FOR USE IN APPLICATIONS THAT AFFECT CONTROL OF A VEHICLE ("SAFETY APPLICATION") UNLESS THERE IS A SAFETY CONCEPT OR REDUNDANCY FEATURE CONSISTENT WITH THE ISO 26262 AUTOMOTIVE SAFETY STANDARD ("SAFETY DESIGN"). CUSTOMER SHALL, PRIOR TO USING OR DISTRIBUTING ANY SYSTEMS THAT INCORPORATE PRODUCTS, THOROUGHLY TEST SUCH SYSTEMS FOR SAFETY PURPOSES. USE OF PRODUCTS IN A SAFETY APPLICATION WITHOUT A SAFETY DESIGN IS FULLY

AT THE RISK OF CUSTOMER, SUBJECT ONLY TO APPLICABLE LAWS AND REGULATIONS GOVERNING LIMITATIONS ON PRODUCT LIABILITY.

© Copyright 2016–2017 Xilinx, Inc. Xilinx, the Xilinx logo, Artix, ISE, Kintex, Spartan, Virtex, Vivado, Zynq, and other designated brands included herein are trademarks of Xilinx in the United States and other countries. All other trademarks are the property of their respective owners.