

Vivado Design Suite User Guide

Using Tcl Scripting

UG894 (v2021.1) June 16, 2021

Revision History

06/16/2021: Released with Vivado® Design Suite 2021.1 without changes from 2020.2.

Section	Revision Summary
03/30/2021 Version 2020.2	
Persistency of Objects	Added example for objects persistency.
Connecting and Disconnecting Nets	Added new section.
12/05/2018 Version 2018.3	
XDC Constraints: read_xdc versus source	Added new section.
06/06/2018 Version 2018.2	
General updates	Editorial updates only. No technical content updates.
04/04/2018 Version 2018.1	
Executing a Tcl Script at Startup	Added new section.
Custom GUI Buttons	Added new section.
Install and Uninstall Hook Procs	Added new section.

Table of Contents

Revision History	2
Chapter 1: Tcl Scripting in Vivado	4
Introduction.....	4
A Brief Overview of Tcl.....	5
Getting Help.....	8
Platform Specific Tcl Behaviors.....	10
Compilation and Reporting Example Scripts.....	10
Loading and Running Tcl Scripts.....	18
Writing a Tcl Script.....	24
Accessing Design Objects.....	36
Handling Lists of Objects.....	53
Redirecting Output.....	55
Controlling Loops.....	61
Error Handling.....	62
Accessing Environment Variables.....	65
Calling External Programs.....	65
Vivado Integrated Design Environment (IDE)/Tcl Modes versus Batch Mode.....	66
Creating Custom Design Rules Checks (DRCs).....	67
Custom GUI Buttons.....	72
Xilinx Tcl Store.....	75
Tcl Scripting Tips.....	103
Appendix A: Additional Resources and Legal Notices	109
Xilinx Resources.....	109
Documentation Navigator and Design Hubs.....	109
References.....	109
Please Read: Important Legal Notices.....	110

Tcl Scripting in Vivado

Introduction

The Tool Command Language, or Tcl, is an interpreted programming language with variables, procedures (procs), and control structures, to interface to a variety of design tools and to the design data.



TIP: For more information, see the *Vivado Design Suite Tcl Command Reference Guide* ([UG835](#)), or type `<command> -help`. For information on launching and using the Vivado[®] Design Suite, see the *Vivado Design Suite User Guide: Getting Started* ([UG910](#)).

The language is easily extended with new function calls, and has been expanded to support new tools and technology since its inception and adoption in the early 1990s. It has been adopted as the standard application programming interface, or API, among most EDA vendors to control and extend their applications.

Xilinx has adopted Tcl as the native programming language for the Vivado Design Suite, as it is easily adopted and mastered by designers familiar with this industry standard language. The Tcl interpreter inside the Vivado Design Suite provides the full power and flexibility of Tcl to control the application, access design objects and their properties, and create custom reports. Using Tcl, you can adapt your design flow to meet specific design challenges.

Tcl provides built-in commands to read and write files to the local file system. This enables you to dynamically create directories, start FPGA design projects, add files to the projects, run synthesis and implementation. You can customize the reports generated from design projects, on device usage and quality of results, to share across the organization.

You can also use Tcl to implement new design approaches, or work around existing problems, inserting and deleting design objects, or modifying properties as needed. You can write scripts to replay established portions of your design flow to standardize the process.

Many of the Tcl commands discussed in the following text and script examples are specific to the Vivado Design Suite. You can find detailed information regarding Tcl commands specific to the Vivado Design Suite in the *Vivado Design Suite Tcl Command Reference Guide* ([UG835](#)), or in the Help system of the Vivado tools.

The Vivado IDE uses Xilinx Design Constraints (XDC) to specify the design constraints. XDC is based on a subset of all the Tcl commands available in Vivado and is interpreted exactly like Tcl. The XDC commands are primarily timing constraints, physical constraints, object queries and a few Tcl built-in commands: `set`, `list`, and `expr`. For a complete description of the XDC commands, see Appendix B of the *Vivado Design Suite User Guide: Using Constraints (UG903)*. Unlike Tcl scripts, XDC files are managed by the Vivado IDE so that any constraint edited through the graphical interface or the Timing Constraints Editor can be saved back to its original XDC file. For this reason, only XDC commands can be used in a XDC file. If you need to use other Tcl commands to write your constraints, you must use a Tcl script.

The Vivado tools write a journal file called `vivado.jou` into the directory from which Vivado was launched. The journal is a record of the Tcl commands run during the session that can be used as a starting point to create new Tcl scripts.

A log file, `vivado.log` is also created by the tool and includes the output of the commands that are executed. Both the journal and log file are useful to verify which commands were run and what result they produced.

Additional Tcl commands are provided by the Tcl interpreter that is built into the Vivado Design Suite. For Tcl built-in commands, Tcl reference material is provided by the Tcl Developer Xchange website, which maintains the open source code base and documentation for Tcl, and is located at [Tcl Developer Xchange](#).

See [this tutorial](#) for an introductory tutorial to the Tcl programming language. Also see the TcLers' Wiki located [here](#) for some example scripts.

In this document you will see some examples of Tcl commands and Tcl scripts, and the results that are returned by the Vivado Design Suite when these commands are run. The commands and their return values appear with the following formats:

- Tcl commands and example scripts:

```
puts $outputDir
```

- Output to Tcl Console or results of Tcl commands:

```
./Tutorial_Created_Data/cpu_output
```

A Brief Overview of Tcl

A Tcl script is a series of Tcl commands, separated by new-lines or semicolons. A Tcl command is a string of words, separated by blanks or tabs. The Tcl interpreter breaks the command line into words and performs command and variable substitutions as needed. The Tcl interpreter reads the line from left to right, and evaluates each word completely before attempting to evaluate the next. Command and variable substitutions are performed from left to right as the line is read.

A word is a string that can be a single word, or multiple words within braces, {}, or multiple words within quotation marks, ". Semicolons, brackets, tabs, spaces, and new-lines, within quotation marks or braces are treated as ordinary characters. However, the backslash, \, is treated as a special character even within braces and quotation marks, as discussed below.

The first word identifies the command, and all subsequent words are passed to the command as arguments.

```
set outputDir ./Tutorial_Created_Data/cpu_output
```

In the preceding example, the first word is the Tcl `set` command, which is used to assign variables. The second and third words are passed to the `set` command as the variable name (`outputDir`), and the variable value (`./Tutorial_Created_Data/cpu_output`).

When a backslash, \, is used in a word, then the Tcl interpreter performs backslash substitution. In most cases, this means that the character following the backslash is treated as a standard character in the word. This is used to add quotes, braces, dollar signs, or other special characters to a string. Refer to a Tcl/Tk reference source for more information on how the Tcl interpreter handles the backslash character.

```
puts $outputDir
./Tutorial_Created_Data/cpu_output
puts \"$outputDir
$outputDir
```

There is also a difference between the use of braces and quotation marks. No substitutions are performed on the characters between the braces. Words, or strings, within braces are taken verbatim, and are not evaluated for variable or command substitution by the Tcl interpreter. The word consists of exactly the characters between the outer braces, not including the braces themselves, as shown in the example below. Strings within quotation marks are evaluated, and variable and command substitutions are performed as needed. Command substitution, variable substitution, and backslash substitution are performed on the characters between quotes.

```
puts {The version of Vivado Design Suite is [version -short]}
The version of Vivado Design Suite is [version -short]
puts "The version of Vivado Design Suite is [version -short]"
The version of Vivado Design Suite is 2018.1
```

Notice in the example above, that the `[version -short]` command is substituted for the returned value when enclosed within quotation marks, but is not substituted when enclosed within braces. Keep substitution in mind when choosing to use either "" or {} to enclose a string of words.

Variable assignment is performed using the `set` command. You can access a previously assigned variable by specifying the name of the variable with a leading dollar sign, '\$'. If a word starts with a dollar sign the Tcl interpreter performs variable substitution, replacing the variable with the value currently stored by the variable. The '\$' is a reserved character in Tcl.

```
set outputDir ./Tutorial_Created_Data/cpu_output
puts $outputDir
./Tutorial_Created_Data/cpu_output
```

Commands can also be nested inside other commands within brackets, [], which are evaluated from left to right in a bottom-up manner. The Tcl interpreter recursively processes the strings within the brackets as a new Tcl script. A nested command can also contain other nested commands. The result of a nested command is passed up into the higher-level command, which is then processed.

```
set listCells [lsort [get_cells]]
```

The preceding example assigns the sorted list of cell objects existing at the top-level of the current design to the `listCells` variable. The `get_cells` command is executed first, the returned objects are sorted by the `lsort` command, and the sorted list is assigned to the specified variable.

However, the Vivado Design Suite handles square brackets slightly differently than standard Tcl. Square brackets are treated as standard characters in Verilog and VHDL names (net, instances, etc.), and usually identify one or more elements of vectors, such as buses or arrays of instances. In the Vivado Design Suite tools the square brackets are not evaluated in a bottom-up manner when they are expected to be part of a netlist object name.

The following three commands are equivalent:

```
1.) set list_of_pins [get_pins transformLoop[0].ct/xOutReg_reg/CARRYOUT[*] ]
2.) set list_of_pins [get_pins {transformLoop[0].ct/xOutReg_reg/
CARRYOUT[*] } ]
3.) set list_of_pins [get_pins transformLoop\[0\].ct/xOutReg_reg/CARRYOUT\[*
\] ]
```

In line 1, the outer pair of brackets indicate a nested command, `[get_pins]`, as is standard in Tcl. However, the subsequent square brackets are interpreted by the Vivado tools as part of the specified object name `transformLoop[0]`. This is handled automatically by the Vivado Design Suite, but is limited to certain characters. These characters must be in one of the following forms, or the brackets will be interpreted as they would be in normal Tcl syntax:

- star: [*] - The wildcard indicates any of a number of bits or instances.
- integer: [12] - The integer indicates a specific bit or instance.

In line 2 the use of the braces, {}, will prevent command substitution of the string inside the braces. In this case the square brackets would be evaluated as part of the object name, `transformLoop[0]`.

In line 3, the backslash indicates that the bracket should be interpreted as a standard character rather than a special character, and this will prevent nested command substitution.

While lines 2 and 3 prevent the square brackets from being misinterpreted, those lines require you to manually apply the braces or backslash as needed by standard Tcl. Line 1 shows how the Vivado Design Suite automatically handles this for you.

Finally, to add comments to a Tcl script, simply start a new-line with the number sign, or hash character, '#'. Characters that follow a hash character are ignored, up to the next new-line. To add a comment to the end of a line, simply end the command with a semicolon, ';', and then begin the comment with a hash character as shown below:

```
# This is a comment
puts "This is a command"; # followed by a comment
```

Getting Help

You can get help directly from the Tcl console. Every Vivado command supports the `-help` command line argument that can be used anywhere in the line.

For example:

```
Vivado% create_clock -help
Vivado% create_clock -name CLK1 -period 10 -help
```

In addition, there is a `help` command that provides additional information. Providing a command name to the `help` command (that is, `help <command>`) reports the same help information as `<command> -help`:

```
Vivado% help create_clock
```

The `help` command can also just return a short description of the arguments using the `-args` option:

```
Vivado% help create_clock -args
create_clock
Description:
Create a clock object
Syntax:
create_clock -period <arg> [-name <arg>] [-waveform <args>] [-add] [-quiet]
[-verbose] [<objects>]
Returns:
new clock object
Usage:
  Name      Description
  -----
  -period   Clock period: Value > 0
  [-name]   Clock name
```



```

[-waveform] Clock edge specification
[-add]      Add to the existing clock in source_objects
[-quiet]    Ignore command errors
[-verbose]  Suspend message limits during command execution
[<objects>] List of clock source ports, pins or nets
    
```

A short summary of the syntax of a command is also available with the `-syntax` option:

```

Vivado% help create_clock -syntax
create_clock
Syntax:
create_clock -period <arg> [-name <arg>] [-waveform <args>] [-add]
[-quiet][-verbose] [<objects>]
    
```

In addition to providing help for the specific commands, the `help` command can also provide information on categories of commands or classes of objects. A list of categories can be obtained by executing the `help` command without any argument or option. A non-exhaustive list of categories is:

```

Vivado% help
ChipScope
DRC
FileIO
Floorplan
GUIControl
IPFlow
Object
PinPlanning
Power
Project
PropertyAndParameter
Report
SDC
Simulation
TclBuiltIn
Timing
ToolLaunch
Tools
XDC
    
```

The list of commands available under each category can be also reported with the `-category` option. For example, the following command reports all the commands under the `Tools` category:

```

Vivado% help -category tools
Topic      Description
link_design  Open a netlist design
list_features  List available features.
load_features  Load Tcl commands for a specified feature.
opt_design   Optimize the current netlist. This will perform the retarget,
              propconst, and sweep optimizations by default.
phys_opt_design  Optimize the current placed netlist.
place_design  Automatically place ports and leaf-level instances
route_design  Route the current design
synth_design  Synthesize a design using Vivado Synthesis and open that
design
    
```

Platform Specific Tcl Behaviors

In some rare cases, Tcl can behave differently depending on the platform where it is being used (32-bit or 64-bit). This is not related to Vivado but to Tcl.

For example, if you have a list of large integers that you want to sort, you might use the following command:

```
vivado% lsort $list -integer
```

This command behaves differently when the script is running on a 32-bit machine than on a 64-bit machine. The reason is that integers are coded differently on a 32-bit platform versus 64-bit platform:

```
win32, win64, lnx32: sizeof(int) is 4bytes  
lnx64: sizeof(int) is 8bytes
```

A workaround for that particular example would be to use the command line option `-command` of `lsort` and provide a custom proc to do the sorting.

Compilation and Reporting Example Scripts

Compilation with a Non-Project Flow

The following is an example Tcl script that defines a Non-Project design flow.

The example script uses a custom command `reportCriticalPaths`. This is an illustration on how the Vivado Design Suite can be augmented with custom commands and procedures. The content of `reportCriticalPaths` is provided and explained in the section [Defining Tcl Procedures](#).

```
# STEP#1: define the output directory area.  
#  
set outputDir ./Tutorial_Created_Data/cpu_output  
file mkdir $outputDir  
#  
# STEP#2: setup design sources and constraints  
#  
read_vhdl -library bftLib [ glob ./Sources/hdl/bftLib/*.vhd1 ]  
read_vhdl ./Sources/hdl/bft.vhdl  
read_verilog [ glob ./Sources/hdl/*.v ]  
read_verilog [ glob ./Sources/hdl/mgt/*.v ]  
read_verilog [ glob ./Sources/hdl/or1200/*.v ]  
read_verilog [ glob ./Sources/hdl/usbf/*.v ]  
read_verilog [ glob ./Sources/hdl/wb_conmax/*.v ]  
read_xdc ./Sources/top_full.xdc  
#
```

```

# STEP#3: run synthesis, write design checkpoint, report timing,
# and utilization estimates
#
synth_design -top top -part xc7k70tfbg676-2
write_checkpoint -force $outputDir/post_synth.dcp
report_timing_summary -file $outputDir/post_synth_timing_summary.rpt
report_utilization -file $outputDir/post_synth_util.rpt
#
# Run custom script to report critical timing paths
reportCriticalPaths $outputDir/post_synth_critpath_report.csv
#
# STEP#4: run logic optimization, placement and physical logic
# optimization,
# write design checkpoint, report utilization and timing estimates
#
opt_design
reportCriticalPaths $outputDir/post_opt_critpath_report.csv
place_design
report_clock_utilization -file $outputDir/clock_util.rpt
#
# Optionally run optimization if there are timing violations after placement
if {[get_property SLACK [get_timing_paths -max_paths 1 -nworst 1 -setup]] <
0} {
    puts "Found setup timing violations => running physical optimization"
    phys_opt_design
}
write_checkpoint -force $outputDir/post_place.dcp
report_utilization -file $outputDir/post_place_util.rpt
report_timing_summary -file $outputDir/post_place_timing_summary.rpt
#
# STEP#5: run the router, write the post-route design checkpoint, report
# the routing
# status, report timing, power, and DRC, and finally save the Verilog
# netlist.
#
route_design
write_checkpoint -force $outputDir/post_route.dcp
report_route_status -file $outputDir/post_route_status.rpt
report_timing_summary -file $outputDir/post_route_timing_summary.rpt
report_power -file $outputDir/post_route_power.rpt
report_drc -file $outputDir/post_imp_drc.rpt
write_verilog -force $outputDir/cpu_impl_netlist.v -mode timesim -sdf_anno
true
#
# STEP#6: generate a bitstream
#
write_bitstream -force $outputDir/cpu.bit
    
```

Details of the Sample Script

The key steps of the preceding script can be broken down as follows:

1. Defines a variable, `$outputDir`, that points to an output directory and also physically creates the directory. The `$outputDir` variable is referenced as needed at other points in the script.
2. Reads the VHDL and Verilog files that contain the design description, and the XDC file that contains the physical and/or timing constraints for the design. You can also read synthesized netlists (EDIF or NGC) using the `read_edif` command.

The Vivado Design Suite uses design constraints to define requirements for both the physical and timing characteristics of the design. The `read_xdc` command reads an XDC constraints file which will be used during synthesis and implementation.



IMPORTANT! *The Vivado Design Suite does not support the UCF format. For information on migrating UCF constraints to XDC commands refer to the ISE to Vivado Design Suite Migration Guide (UG911) for more information.*

The `read_*` Tcl commands are designed for use in Non-Project mode, as it allows a file on the disk to be read by the Vivado Design Suite to build an in-memory design database, without copying the file or creating a dependency on the file in any way, as it would in Project mode. All actions taken in the Non-Project mode are directed at the in-memory database within the Vivado tools. The advantages of this approach make the Non-Project mode extremely flexible with regard to the design. However, a limitation of the Non-Project mode is that you must monitor any changes to the source design files, and update the design as needed. For more information on running the Vivado Design Suite using either Project mode or Non-Project mode, refer to the *Vivado Design Suite User Guide: Design Flows Overview (UG892)*.

3. Synthesizes the design on the specified target device.

This step compiles the HDL design files, applies the timing constraints located in the XDC file, and maps the logic onto Xilinx primitives to create a design database in memory. The in-memory design resides in the Vivado tools, whether running in batch mode, Tcl shell mode for interactive Tcl commands, or in the Vivado Integrated Design Environment (IDE) for interaction with the design data in a graphical form.

Once synthesis completes, a checkpoint is saved for reference. At this point the design is an unplaced synthesized netlist with timing and physical constraints. Various reports like timing and utilization can provide a useful resource to better understand the challenges of the design.

This sample script uses a custom command, `reportCriticalPaths`, to report the TNS/WNS/Violators into a CSV file. This provides the ability for you to quickly identify which paths are critical.

Any additional XDC file read in after synthesis by the `read_xdc` or `source` commands is used during the implementation steps only. They will be stored in any subsequent design checkpoints, along with the netlist.

4. Performs pre-placement logic optimization, in preparation for placement and routing. The objective of optimization is to simplify the logic design before committing to physical resources on the target part. Optimization is followed by timing-driven placement with the Vivado placer.

After each of those steps, the `reportCriticalPaths` command is run to generate a new CSV file. Having multiple CSV files from different stages of the design lets you create a custom timing summary spreadsheet that can help visualizing how timing improves during each implementation step.

Once the placement is done, the script uses the `get_timing_paths` command to examine the SLACK property of the worst timing path in the placed design. While the `report_timing` command returns a detailed text report of the timing path with the worst slack, the `get_timing_paths` command returns the same timing path as a Tcl object with properties that correspond to the main timing characteristics of the path. The SLACK property returns the slack of the specified timing path, or worst path in this case. If the slack is negative then the script runs physical optimization to resolve the placement timing violations whenever possible.

At the end of Step 4, another checkpoint is saved and the device utilization is reported along with a timing summary of the design. This will let you compare pre-routed and post-routed timing to assess the impact that routing has on the design timing.

5. The Vivado router performs timing-driven routing, and a checkpoint is saved for reference. Now that the in-memory design is routed, additional reports provide critical information regarding power consumption, design rule violations, and final timing. You can output reports to files, for later review, or you can direct the reports to the Vivado IDE for more interactive examination. A Verilog netlist is exported, for use in timing simulation.
6. Writes a bitstream to test and program the design onto the Xilinx FPGA.

Compilation with a Project Flow

The following script illustrates a Project flow that synthesizes the design and performs a complete implementation, including bitstream generation. It is based on the CPU example design provided in the Vivado installation tree.

```
#
# STEP#1: define the output directory area.
#
set outputDir ./Tutorial_Created_Data/cpu_project
file mkdir $outputDir
create_project project_cpu_project ./Tutorial_Created_Data/
cpu_project \
-part xc7k70tfbg676-2 -force
#
# STEP#2: setup design sources and constraints
#
add_files -fileset sim_1 ./Sources/hdl/cpu_tb.v
add_files [ glob ./Sources/hdl/bftLib/*.vhd1 ]
add_files ./Sources/hdl/bft.vhd1
add_files [ glob ./Sources/hdl/*.v ]
add_files [ glob ./Sources/hdl/mgt/*.v ]
add_files [ glob ./Sources/hdl/or1200/*.v ]
add_files [ glob ./Sources/hdl/usbf/*.v ]
add_files [ glob ./Sources/hdl/wb_conmax/*.v ]
add_files -fileset constrs_1 ./Sources/top_full.xdc
set_property library bftLib [ get_files [ glob ./Sources/hdl/bftLib/
*.vhd1 ] ]
#
# Physically import the files under project_cpu.srcs/sources_1/
imports directory
import_files -force -norecurse
#
```

```

# Physically import bft_full.xdc under project_cpu.srcs/constrs_1/
imports directory
import_files -fileset constrs_1 -force -norecurse ./Sources/
top_full.xdc
# Update compile order for the fileset 'sources_1'
set_property top top [current_fileset]
update_compile_order -fileset sources_1
update_compile_order -fileset sim_1
#
# STEP#3: run synthesis and the default utilization report.
#
launch_runs synth_1
wait_on_run synth_1
#
# STEP#4: run logic optimization, placement, physical logic
optimization, route and
# bitstream generation. Generates design checkpoints, utilization
and timing
# reports, plus custom reports.
set_property STEPS.PHYS_OPT_DESIGN.IS_ENABLED true [get_runs impl_1]
set_property STEPS.OPT_DESIGN.TCL.PRE [pwd]/pre_opt_design.tcl
[get_runs impl_1]
set_property STEPS.OPT_DESIGN.TCL.POST [pwd]/post_opt_design.tcl
[get_runs impl_1]
set_property STEPS.PLACE_DESIGN.TCL.POST [pwd]/
post_place_design.tcl [get_runs impl_1]
set_property STEPS.PHYS_OPT_DESIGN.TCL.POST [pwd]/
post_phys_opt_design.tcl [get_runs impl_1]
set_property STEPS.ROUTE_DESIGN.TCL.POST [pwd]/
post_route_design.tcl [get_runs impl_1]
launch_runs impl_1 -to_step write_bitstream
wait_on_run impl_1
puts "Implementation done!"
    
```

Details of the Sample Script

1. The project is created with the `create_project` command. The project directory and the target device are specified. The project directory is automatically created if it does not already exist.

In this example, the output directory where the various reports are saved is the same as the project directory.

2. All the files that are used in a project need to be explicitly declared and added to the project. This is done with the `add_files` command. When a file is added to the project, it is added to a specific fileset. A fileset is a container that groups files together for a purpose. In this example script, most of the files are added to the default fileset (`sources_1`). Only the Verilog test bench `cpu_tb.v` is added to the default simulation fileset `sim_1`.

The files are also copied inside the project directories with the `import_files` command. By doing this, the project points to the local copy of the source files and does not track the original source files anymore.

3. The design is synthesized by launching a synthesis run in the background (`launch_run synth_1`). The Vivado IDE automatically generates all the necessary scripts to run synthesis in a separate Vivado session. Because synthesis runs in a different process, it is necessary to wait for its completion before continuing the current script. This is done by using the `wait_on_run` command.

Once the synthesis run is completed, the results can be loaded in memory with the `open_run synth_1` command. A checkpoint without constraints is saved in the project directories, where synthesis was run. In this example, it can be found under:

```
./Tutorial_Created_Data/cpu_project/project_cpu.runs/synth_1/top.dcp
```

Note: The names `synth_1` and `impl_1` are default names for the synthesis and implementation runs. Additional runs can be created with `create_run` command.

4. The implementation is done by using the `launch_run` command. The complete P&R flow from pre-place optimization to writing the bitstream can be performed in a single command. In this example script, the implementation is done up to the bitstream generation (`launch_run impl_1 -to_step write_bitstream`).

The optional step `phys_opt_design` is enabled in the script through the property `STEPS.PHYS_OPT_DESIGN.IS_ENABLED`. Unlike with the Non-Project flow which allows dynamically calling the implementation commands based on conditions defined by the user, the run of a project flow must be configured statically before it is launched. This is why, in this example, the physical logic optimization step is enabled without checking the timing slack value after placement, unlike in the Compilation with a Non-Project flow example.

The various reports are generated before or after each implementation step by using the run Tcl hook properties `STEPS.<STEPNAME>.TCL.PRE` and `STEPS.<STEPNAME>.TCL.POST`. These properties allow the user to specify where a Tcl script is executed in the flow when using the run infrastructure. See [Defining Tcl Hook Scripts](#) for additional information.

Because the implementation run is executed in a separate Vivado session, all the Tcl variables and procs need to be initialized in that session in order to be used by the scripts. This can be done in several ways:

- **Method 1:** Define the Tcl variables and procs in your `Vivado_init.tcl` (see [Initializing Tcl Scripts](#)). This is sticky to all your Vivado projects and sessions.
- **Method 2:** Add a Tcl script which contains the variables and procs to the constraints set used by the run. It will always be sourced as part of your constraints when opening the design in memory.
- **Method 3:** Set `STEPS.OPT_DESIGN.TCL.PRE` to a Tcl script which contains the variables and proc. This script will only be sourced if the `OPT_DESIGN` step is enabled, which is true by default.

The current example uses the Method 3. The Tcl scripts are associated with the implementation steps as follows:

```
set_property STEPS.OPT_DESIGN.TCL.PRE      [pwd]/pre_opt_design.tcl
[get_runs impl_1]
set_property STEPS.OPT_DESIGN.TCL.POST    [pwd]/post_opt_design.tcl
[get_runs impl_1]
set_property STEPS.PLACE_DESIGN.TCL.POST  [pwd]/post_place_design.tcl
[get_runs impl_1]
set_property STEPS.PHYS_OPT_DESIGN.TCL.POST [pwd]/post_phys_opt_design.tcl
[get_runs impl_1]
set_property STEPS.ROUTE_DESIGN.TCL.POST  [pwd]/post_route_design.tcl
[get_runs impl_1]
```

The absolute Tcl script path must be specified because the implementation run is executed in a sub-directory of the project tree, which is different from the one where the full compilation Tcl script is executed.

- pre_opt_design.tcl

```
##### pre_opt_design.tcl #####
set outputDir [file dirname [info script]]/Tutorial_Created_Data/
cpu_project
source [file dirname [info script]]/reportCriticalPaths.tcl
#
report_timing_summary -file $outputDir/post_synth_timing_summary.rpt
report_utilization -file $outputDir/post_synth_util.rpt
reportCriticalPaths $outputDir/post_synth_critpath_report.csv
```

The two first lines correspond to the initialization of the variable and proc used by several scripts later in the implementation run. The next three lines run some utilization and timing reports. It is generally recommended to run timing analysis at the beginning of implementation to validate the timing constraints used during place and route, and ensure there is no large violation. The `reportCriticalPaths` report provides more information on the worst paths of the design. This Tcl proc is described further in [Defining Tcl Procedures](#).

- post_opt_design.tcl

```
##### post_opt_design.tcl #####
# Run custom script to report critical timing paths
reportCriticalPaths $outputDir/post_opt_critpath_report.csv
```

This script does not need to define the `outputDir` variable and `reportCriticalPaths` proc because they are already defined in `pre_opt_design.tcl` which is sourced earlier in the run in the same Vivado session.

It is recommended to also run utilization and timing analysis after `opt_design`.

- post_place_design.tcl

```
##### post_place_design.tcl #####
report_clock_utilization -file $outputDir/clock_util.rpt
```


After placement, you can review the utilization of the clock resources and where they are located in the device. It is recommended to run timing analysis to identify large timing violations that cannot be resolved later in the flow.

- `post_phys_opt_design.tcl`

```
##### post_phys_opt_design.tcl #####
report_utilization -file $outputDir/post_phys_opt_util.rpt
report_timing_summary -file $outputDir/post_phys_opt_timing_summary.rpt
```

Like after placement, it is important to review the timing report at this point of the flow.

- `post_route_design.tcl`

```
##### post_route_design.tcl #####
report_route_status -file $outputDir/post_route_status.rpt
report_timing_summary -file $outputDir/post_route_timing_summary.rpt
report_power -file $outputDir/post_route_power.rpt
report_drc -file $outputDir/post_imp_drc.rpt
write_verilog -force $outputDir/cpu_impl_netlist.v -mode timesim -
sdf_anno true
```

After route, the timing analysis uses actual routed net delays and must be reviewed for timing sign-off. The route status report summarizes the number of unresolved routing issues. If there are any, the DRC report often helps identify what the routing issues are.

Note: When running an implementation step inside the hook script, you can use the Tcl variable `ACTIVE_STEP` to, for instance, make the report file names unique. The variable `ACTIVE_STEP` is automatically updated by Vivado when using the run infrastructure. See [Sharing Hook Scripts Between Steps](#) for more information.

Note: Most of the Tcl reports generated during post-route above are also automatically created by the run infrastructure. Similarly, a design checkpoint is generated after each step of the flow, so there is usually no need to call the `write_checkpoint` command in your scripts when using a project flow. You can find all the checkpoints and default reports in the implementation run directory:

```
./Tutorial_Created_Data/cpu_project/project_cpu.runs/impl_1/
top_opt.dcp
top_placed.dcp
top_physopt.dcp
top_routed.dcp
top_clock_utilization_placed.rpt
top_control_sets_placed.rpt
top_utilization_placed.rpt
top_io_placed.rpt
top_drc_routed.rpt
top_power_routed.rpt
top_route_status.rpt
top_timing_summary_routed.rpt
```

After the implementation run is complete, the implemented design can be loaded in memory with the `open_run impl_1` command.

Loading and Running Tcl Scripts

The Vivado Design Suite offers several different ways to load and run a Tcl script during a design session. You can have script files loaded automatically when the tool is launched, source scripts from the Tcl command line, or add them to the menus in the Vivado IDE.

Initializing Tcl Scripts

The Vivado Design Suite can automatically load Tcl scripts defined in `Vivado_init.tcl` file. This approach is useful when you have written Tcl procedures that define new commands that you want to make available in all your Vivado sessions.

Note: Starting with 2017.1 the startup script for the Vivado Design Suite has been renamed `Vivado_init.tcl`. In the earlier versions it was called `init.tcl`. If `Vivado_init.tcl` does not exist but `init.tcl` is present, the Vivado tools source the `init.tcl` and issue a deprecation message.

When you start the Vivado tools, it looks for a Tcl initialization script in several locations with the following precedence:

1. In the software installation: `<installdir>/Vivado/<VivadoVersion>/scripts/Vivado_init.tcl`

Where `<installdir>` is the installation directory where the Vivado Design Suite is installed.

2. In the local user directory (Vivado tools version dependent):

- For Windows 7: `%APPDATA%/Xilinx/Vivado/<VivadoVersion>/Vivado_init.tcl`

For example: `%APPDATA%/Xilinx/Vivado/2017.1/Vivado_init.tcl`

- For Linux: `$HOME/.Xilinx/Vivado/<VivadoVersion>/Vivado_init.tcl`

For example: `$HOME/.Xilinx/Vivado/2017.1/Vivado_init.tcl`

3. In the local user directory (Vivado tools version independent):

- For Windows 7: `%APPDATA%/Xilinx/Vivado/Vivado_init.tcl`
- For Linux: `$HOME/.Xilinx/Vivado/Vivado_init.tcl`

If `Vivado_init.tcl` exists in several locations, the Vivado tool sources the file following the precedence explained above.

The `Vivado_init.tcl` file in the installation directory allows a company or design group to support a common initialization script for all users. Anyone starting the Vivado tools from that software installation sources the enterprise `Vivado_init.tcl` script.

The `Vivado_init.tcl` file in the home directory allows each user to specify additional commands, or to override commands from the software installation to meet their specific design requirements.

The `Vivado_init.tcl` file is a standard Tcl script file that can contain any valid Tcl command supported by the Vivado tools. You can even source another Tcl script file from within `Vivado_init.tcl` by adding the `source` command.

Note: `Vivado_init.tcl` follows the naming convention `<program>_init.tcl`. Other supported program names are `xsim` and `vivado_lab`. For instance, Vivado simulator looks for `xsim_init.tcl` at startup.

Sourcing Tcl Scripts

The `source` command lets you manually load Tcl script files into the Vivado tools:

```
source <filename>
```

Where `<filename>` specifies both the name of the file, as well as the relative or absolute path to the file. If no path is specified as part of the file name, then the Vivado tools look for the file in the working directory, or the directory from which the Vivado Design Suite was launched.

Within the Vivado IDE you can also source a Tcl script from the **Tools → Run Tcl Script** menu command.

By default, the `source` command echoes each line of the file to the Tcl console. This can be prevented by using the `-notrace` option, which is specific to the Vivado Tcl interpreter:

```
source <filename> -notrace
```

Executing a Tcl Script at Startup

To specify a script to be executed at startup on the Vivado tools command line, use the `-source` option:

```
vivado -source myscript.tcl
```

The following is equivalent to manually sourcing the script after first starting Vivado tools:

```
source myscript.tcl
```

A checkpoint can also be specified on the command line along with a Tcl script:

```
vivado design.dcp -source myscript.tcl
```

The above command line is equivalent to manually opening the checkpoint and then sourcing the script:

```
open_checkpoint design.dcp
source myscript.tcl
```

The combination of a checkpoint and script provides the flexibility to write a Tcl script independent of any design and then easily associate a checkpoint with the script:

```
vivado design1.dcp -source myscript.tcl
vivado design2.dcp -source myscript.tcl
```

Using Tcl Scripts in a Constraints Set

Tcl scripts can be added to project constraint sets like any regular XDC file, except that the XDC files are managed by the tool, and not Tcl scripts. Any constraint defined by a Tcl script and edited by the tool cannot be saved back to the Tcl script automatically. If you need to save your edits, you must export all the constraints in memory to a file and use this file to update your script manually. When opening a design in memory (`open_run`), the Tcl scripts are sourced after the XDC files. In a Non-Project flow, this is equivalent to explicitly sourcing the Tcl scripts after loading the XDC files with `read_xdc`. For more information on using XDC files and Tcl scripts in a constraints set, see the *Vivado Design Suite User Guide: Using Constraints (UG903)*.

XDC Constraints: `read_xdc` versus `source`

When applying constraints to the design, the commands `read_xdc` and `source` differ in behavior. The constraints applied through the command `source` are always saved inside the checkpoint after the constraints applied through the command `read_xdc`. To preserve the XDC constraints inside the checkpoint in the same order that they are applied to the design, use `read_xdc -unmanaged` instead of `source`.

For more information, see the *Vivado Design Suite User Guide: Using Constraints (UG903)*.

Defining Tcl Hook Scripts

In a Non-Project flow you have the ability to source a Tcl script at any point in the flow, such as before or after running the `synth_design` command. You can also do this in a project-based flow, using the Vivado IDE, or by using the `set_property` command to set a property on either a synthesis or implementation run. Tcl hook scripts allow you to run custom Tcl scripts prior to (`tcl.pre`) and after (`tcl.post`) synthesis and implementation design runs, or any of the implementation steps.

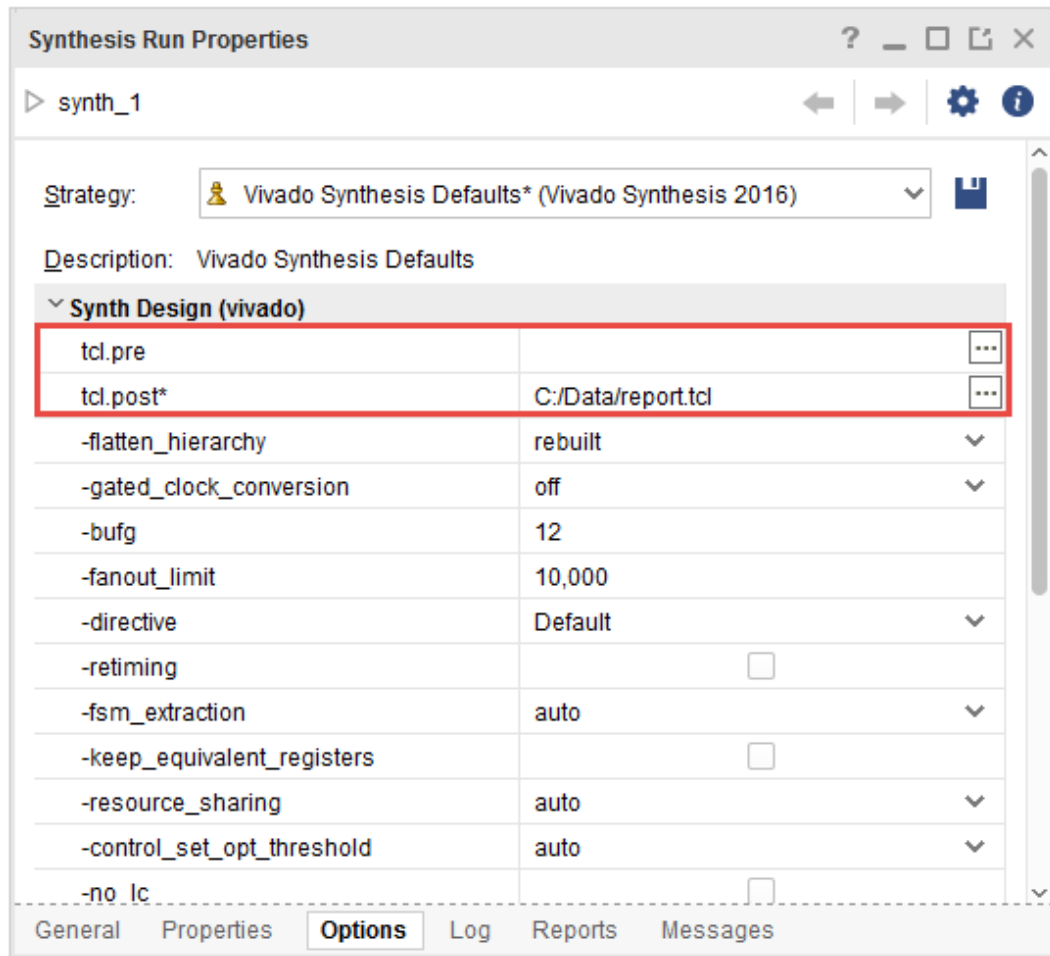
Whenever you launch a synthesis or implementation run, the Vivado tools use a predefined Tcl script to process a standard design flow based on the selected strategy. Tcl hook scripts let you customize the standard flow, with pre-processors or post-processors. Being able to add Tcl script processing anywhere in a run can be useful. Every step in the design flow has a pre-hook and post-hook capability. Common uses are:

- Custom reports: timing, power, utilization, or any user-defined Tcl report.
- Modifying the timing constraints for portions of the flow only.
- Modifications to netlist, constraint, or device programming.

In the GUI you can specify the Tcl hook scripts to be sourced by using the **Change Run Settings** command for the design run. Right-click a run in the **Design Runs** window and select the **Change Run Settings** from the pop-up menu to open the **Design Run Settings** dialog box. The `tcl.pre` and `tcl.post` options can be used to specify a Tcl hook script.

The Vivado IDE sets a property on the synthesis or implementation run to specify the `tcl.pre` or `tcl.post` script to apply before or after the run, as shown in [Defining Tcl Hook Scripts](#). You can also set this property directly on a synthesis or implementation run, either in the Tcl Console or as part of a Tcl script.

Figure 1: Defining Pre and Post Run Tcl Scripts



The properties to set on a synthesis run are:

```
STEPS.SYNTH_DESIGN.TCL.PRE
STEPS.SYNTH_DESIGN.TCL.POST
```

For instance, set the following property to have the `report.tcl` script launched before synthesis is complete:

```
set_property STEPS.SYNTH_DESIGN.TCL.PRE {C:/Data/report.tcl} [get_runs synth_1]
```

For an implementation run you can define Tcl scripts before and after each step of the implementation process: Opt Design, Power Opt Design, Place Design, Post-Place Power Opt Design, Phys Opt Design, Route Design and Bitstream generation. The properties for each of these are:

```

STEPS.OPT_DESIGN.TCL.PRE
STEPS.OPT_DESIGN.TCL.POST
STEPS.POWER_OPT_DESIGN.TCL.PRE
STEPS.POWER_OPT_DESIGN.TCL.POST
STEPS.PLACE_DESIGN.TCL.PRE
STEPS.PLACE_DESIGN.TCL.POST
STEPS.POST_PLACE_POWER_OPT_DESIGN.TCL.PRE
STEPS.POST_PLACE_POWER_OPT_DESIGN.TCL.POST
STEPS.PHYS_OPT_DESIGN.TCL.PRE
STEPS.PHYS_OPT_DESIGN.TCL.POST
STEPS.ROUTE_DESIGN.TCL.PRE
STEPS.ROUTE_DESIGN.TCL.POST
STEPS.WRITE_BITSTREAM.TCL.PRE
STEPS.WRITE_BITSTREAM.TCL.POST
    
```



IMPORTANT! Relative paths within the `tcl.pre` and `tcl.post` scripts are relative to the appropriate run directory of the project they are applied to: `<project>/<project.runs>/<run_name>`. You can use the `DIRECTORY` property of the current project or current run to define the relative paths in your Tcl hook scripts:

```

get_property DIRECTORY [current_project]
get_property DIRECTORY [current_run]
    
```

Sharing Hook Scripts Between Steps

When the hook script is step agnostic and only generates a set of reports for an implementation step, it is not efficient to duplicate the script content for each step and just change, for instance, the report file name to match the implementation step. A better way to proceed is to share the same hook script for all the implementation steps and use the Tcl variable `ACTIVE_STEP` to build the report filename. This ensures a different file name for each step.

In Project mode, the Vivado IDE automatically updates the Tcl variable `ACTIVE_STEP` when submitting a run through the run infrastructure to match the implementation step being run.

Note: The Tcl variable `ACTIVE_STEP` is only available in Project mode while using the run infrastructure.

The following is an example of a hook script using the `ACTIVE_STEP` variable:

```

set step $ACTIVE_STEP
report_timing_summary -file tim_summary_${step}.rpt
if {$step == {route_design}} {
    report_route_status -file route_status.rpt
}
    
```

Customizing the GUI

You can use the **Tools** → **Custom Commands** → **Customize Commands** menu item to add system or user-defined Tcl commands to the Vivado IDE main menu and toolbar menu. For more information on adding custom commands to the menu, see this [link](#) in the *Vivado Design Suite User Guide: Using the Vivado IDE (UG893)*.

Writing a Tcl Script

When writing a Tcl script, the emphasis should be, whenever possible, on providing code that can enhance the user experience. This means writing scripts that provide the same type of user experience as the embedded Vivado commands such as providing embedded Help and interactive command line argument. It is also critical to consider all the corner cases that could happen, whether Vivado objects are empty or not after using the `get_*` commands and so forth. It is also common when writing Tcl code, to create some lower-level procedures that are used in the code. To avoid name collision of procedures and global variables, it is recommended that you develop the code within its own namespace so that name collisions are minimized.

Defining Tcl Procedures

Because the Vivado Design Suite provides a full Tcl interpreter built into the tool, creating new custom commands and procedures is a simple task. You can write Tcl scripts that can be loaded and run from the Vivado IDE, or you can write procedures, to act like new Tcl commands, taking arguments, checking for errors, and returning results.

A Tcl procedure is defined with the `proc` command which takes three arguments: the procedure name, the list of arguments, and the body of code to be executed. The following code provides a simple example of a procedure definition:

```
proc helloProc { arg1 } {  
    # This is a comment inside the body of the procedure  
    puts "Hello World! Arg1 is $arg1"  
}
```



TIP: Although the curly brackets are optional for the argument definition of this procedure, since `helloProc` has only one argument, it makes the procedure definition easier to read by enclosing the arguments in braces. The braces are required when the procedure accepts multiple arguments.

A procedure usually has predefined arguments. Each of them can optionally have a default value. When an argument has a default value, it does not need to be specified when calling the procedure if all the mandatory preceding arguments are specified. A procedure returns an empty string unless the `return` command is used to return a different value.

The following example defines a procedure, `reportWorstViolations`, with three arguments:

```
proc reportWorstViolations { nbrPaths corner delayType } {
    report_timing -max_paths $nbrPaths -corner $corner -delay_type $delayType
    -nworst 1
}
```

When running the procedure, all the arguments must be specified as shown:

```
%> reportWorstViolations 2 Slow max
%> reportWorstViolations 10 Fast min
```

The next example is a different form of the same procedure, where the last two of the three arguments have a default value. The default value for `corner` is `Slow`, and the default value for `delayType` is `Max`. With default values specified in the definition of the procedure, the `corner` and `delayType` arguments are optional when calling the procedure.

```
proc reportWorstViolations { nbrPaths { corner Slow } { delayType Max } } {
    report_timing -max_paths $nbrPaths -corner $corner -delay_type $delayType
    -nworst 1
}
```

When running this procedure, all of the following calls of the command are valid:

```
%> reportWorstViolations 2
%> reportWorstViolations 10 Fast
%> reportWorstViolations 10 Slow Min
```

The following example is an illustration of a procedure that has one mandatory argument, `nbrPath`, but that can also accept any number of additional arguments. This uses the Tcl keyword `args` in the list of arguments when defining the procedure. The `args` keyword is a Tcl list that can have any number of elements, including none.

```
proc reportWorstViolations { nbrPaths args } {
    eval report_timing -max_paths $nbrPaths $args
}
```

When executing a Tcl command, you can use variable substitution to replace some of the command line arguments accepted or required by the Tcl command. In this case, you must use the Tcl `eval` command to evaluate the command line with the Tcl variable as part of the command. In the preceding example, the variable list of arguments (`$args`) is passed to the encapsulated `report_timing` command as a variable, and so requires the use of the `eval` command.

When running this procedure, any of the following forms of the command will work:

```
%> reportWorstViolations 2
%> reportWorstViolations 1 -to [get_ports]
%> reportWorstViolations 10 -delay_type min_max -nworst 2
```

In the first example, the number 2 is passed to the `$nbrPaths` argument, and applied to `-max_paths`. In the second and third examples, the numbers 1 and 10 respectively are applied to `-max_paths`, and all the subsequent characters are assigned to `$args`.

The following example provides the procedure definition for the `reportCriticalPaths` command that was previously used in the Non-Project mode example script. The procedure takes a single argument, `$filename`, and has been commented to explain each section:

```

#-----
# reportCriticalPaths
#-----
# This function generates a CSV file that provides a summary of the first
# 50 violations for both Setup and Hold analysis. So a maximum number of
# 100 paths are reported.
#-----
proc reportCriticalPaths { fileName } {
    # Open the specified output file in write mode
    set FH [open $fileName w]
    # Write the current date and CSV format to a file header
    puts $FH "#\n# File created on [clock format [clock seconds]]\n#\n#"
    puts $FH "Startpoint,Endpoint,DelayType,Slack,#Levels,#LUTs"
    # Iterate through both Min and Max delay types
    foreach delayType {max min} {
        # Collect details from the 50 worst timing paths for the current
        analysis
        # (max = setup/recovery, min = hold/removal)
        # The $path variable contains a Timing Path object.
        foreach path [get_timing_paths -delay_type $delayType -max_paths 50 -
        nworst 1] {
            # Get the LUT cells of the timing paths
            set luts [get_cells -filter {REF_NAME =~ LUT*} -of_object $path]
            # Get the startpoint of the Timing Path object
            set startpoint [get_property STARTPOINT_PIN $path]
            # Get the endpoint of the Timing Path object
            set endpoint [get_property ENDPOINT_PIN $path]
            # Get the slack on the Timing Path object
            set slack [get_property SLACK $path]
            # Get the number of logic levels between startpoint and endpoint
            set levels [get_property LOGIC_LEVELS $path]
            # Save the collected path details to the CSV file
            puts $FH "$startpoint,$endpoint,$delayType,$slack,$levels,[llength
            $luts]"
        }
    }
    # Close the output file
    close $FH
    puts "CSV file $fileName has been created.\n"
    return 0
}; # End PROC
    
```

Parsing Command Line Arguments

It can be useful and sometimes necessary to write procedures that use external parameters or arguments as they can broaden the spectrum of usage of the procedure without having to write too much redundant code. A single procedure that can handle multiple contexts is easier to use and maintain than multiple procedures that cover the same range of contexts with duplicated code.

This is especially useful when the procedure is being used interactively. It is a lot friendlier for the user to be able to specify some command line options like with any Vivado commands.

Tcl provides an easy way to do this through the `args` variable. The keyword `args` used inside the list of arguments of a procedure can match any number of elements, including none. The `args` variable is a regular Tcl list that can be processed and analyzed like any Tcl list.

There are multiple techniques to parse the command line arguments, and the example code below shows just one of them:

```

01 proc lshift listVar {
02     upvar 1 $listVar L
03     set r [lindex $L 0]
04     set L [lreplace $L [set L 0] 0]
05     return $r
06 }
07
08
09 proc myproc { args } {
10
11     #-----
12     # Process command line arguments
13     #-----
14     set error 0
15     set help 0
16     set verbose 0
17     set ports {}
18     # if {[llength $args] == 0} { incr help }; # Uncomment if necessary
19     while {[llength $args]} {
20         set flag [lshift args]
21         switch -exact -- $flag {
22             -p -
23             -ports {
24                 set ports [lshift args]
25             }
26             -v -
27             -verbose {
28                 set verbose 1
29             }
30             -h -
31             -help {
32                 incr help
33             }
34             default {
35                 if {[string match "-*" $flag]} {
36                     puts " ERROR - option '$flag' is not a valid option."
37                     incr error
38                 } else {
39                     puts "ERROR - option '$flag' is not a valid option."

```

```

40     incr error
41     }
42 }
43 }
44 }
45
46 if {$help} {
47     set callerflag [lindex [info level [expr [info level] -1]] 0]
48     # <-- HELP
49     puts [format {
50 Usage: %s
51     [-ports|-p <listOfPorts>]
52     [-verbose|-v]
53     [-help|-h]
54
55 Description: xxxxxxxxxxxxxxxxxxxxxxx.
56     xxxxxxxxxxxxxxxxxxxxxxx.
57
58 Example:
59     %s -port xxxxxxxxxxxxxxx
60
61 } $callerflag $callerflag ]
62 # HELP -->
63 return -code ok {}
64 }
65
66 # Check validity of arguments. Increment $error to generate an error
67
68 if {$error} {
69     return -code error {Oops, something is not correct}
70 }
71
72 # Do something
73
74 return -code ok {}
75 }
    
```

Explanations:

1. Lines 1-6: Definition for the `lshift` procedure that removes the first element of a list.
2. Line 9: `myproc` is defined with a single argument, `args`, that can take any number of elements. In this example code, `myproc` supports three command line options: `-ports <string>`, `-verbose`, and `-help`.
3. Lines 19-44: Loop through all the command line arguments. When all the arguments have been processed, the `args` variable is empty.
4. Line 20: The command line argument that needs to be processed is saved inside the `flag` variable. Use the `lshift` proc to get the argument and remove it from the `args` variable.
5. Lines 21-43: Check the content of the `flag` variable against all the valid arguments. The switch statement uses the `-exact` option so that the full option name is checked against the content of `flag`. For example, to define the ports, the user needs to specify `-p` or `-ports`.

The `-p/-ports` option takes a command line argument that is being read and removed from the list `args` with `lshift args` (line 24).

The `-v/-verbose` option is just a boolean and therefore does not need any additional argument from `args` (line 28).

Lines 31-33: Check for the `-h/-help` options.

Lines 36-38: Check for any command line argument starting with "-" (without quotes). In this sample proc, they are not supported.

Lines 39-40: Check for a command line argument that does not start with "-" (without quotes). In this example proc, they are not supported.

6. Lines 46-64: Display the embedded Help if `-h/-help` has been specified. Those lines as well as lines 30-33 can be removed if the proc does not need to provide any embedded Help.
7. Lines 68-70: Check if any error has occurred. Typically, some additional code to check the validity of the arguments should happen before line 68. If there would be any error or, for example, incompatibility between the command line options provided by the user, then the `error` variable could be incremented which would then trigger line 69.
8. Line 73 and beyond: Add your code here.

The above code parses the command line arguments and searches for an exact match with the supported options (line 21). However, there are some cases when it might be better to match the command line arguments against some expressions instead of searching for an exact match. This is done by using the `-glob` switch instead of the `-exact` switch on line 21. See the following example.

```

21 switch -glob -- $flag {
22     -p* -
23     -ports {
24         set ports [lshift args]
25     }
26     -v* -
27     -verbose {
28         set verbose 1
29     }
30     -h* -
31     -help {
32         incr help
33     }
34     default {
35         if {[string match "-*" $flag]} {
36             puts " ERROR - option '$flag' is not a valid option."
37             incr error
38         } else {
39             puts "ERROR - option '$flag' is not a valid option."
40             incr error
41         }
42     }
43 }
    
```

Lines 22, 26 and 30 illustrate some expressions using the "*" as a wildcard. The above code matches any string starting with `-p` as a valid command line option to define the ports, for example `-pfoo`.

Example

Although the example procedure, `myproc`, is acceptable for an interactive command, it has some runtime overhead due to the parsing of the arguments. The runtime overhead might not be acceptable for a low-level procedure that is called many times. A different technique can be used to add some command line arguments to a procedure that needs very little runtime overhead. This is done by assigning the list of command line arguments to a Tcl array. However, this implies that each command line option has one and only one argument. See the following example.

```

01 proc myproc2 { args } {
02   # Default values
03   set defaults [list -p 123 -v 0]
04   # First, assign default values
05   array set options $defaults
06   # Then, override with user choice
07   array set options $args
08
09   set ports $options(-p)
10   set verbose $options(-v)
11   set error 0
12
13   # Check validity of arguments. Increment $error to generate an error
14
15   if {$error} {
16     return -code error {Oops, something is not correct}
17   }
18
19   # Do something
20
21   return -code ok {}
22 }
    
```

Explanations

- Line 1: `myproc2` is defined with a single argument, `args`, that can take any number of elements. However, since `args` is used later to set a Tcl array, it must have an even number of arguments.
- Line 3: Default values for the various options. Each option has one and only one value.
- The format of the list is:

```

expand="page"> <option1> <valueForOption1> <option2> <valueForOption2>
<optionN> <valueForOptionN>
    
```

- Line 5: The Tcl array `options` is initialized with the default values.
- Line 7: The `args` variable overrides the default values
- Line 9-10: The value of each option is being read with `$options(<option>)`. It is also possible to check that an option exist with the following.

```

if [info exists options(<option>)] { }
    
```

Note: The command line options that are working as a flag and have no intrinsic value are easily implemented by passing, for example, a value of 0 or 1 with the option. In the previous example procedure, the flag `-v` is turned on with: `myproc2 -v 1`.

Local and Global Variables

A local variable is a variable created inside a procedure. It is created at runtime inside the stack of the function. The variable is only accessible within the procedure and the variable name is not subject to name collision with variable names outside of the procedure. This means that, for example, a local variable `foo` created inside a procedure is different from a variable `foo` created outside of the procedure and both variables have independent content. A local variable is created with the `set` Tcl keyword like any other variable.

The parameters defined as the arguments of a procedure are, by default, local variables. Whenever a procedure is called (for example `reportCriticalPaths $myfilename`), the content of the calling variables (for example `$myfilename`) are copied inside the stack of the procedure. If the calling variables are Tcl lists with a large number of elements, this mechanism has a runtime and memory penalty. There are also some scenarios when it is necessary to modify the content of the caller variables. Tcl provides a way to do that by passing a variable name as a reference instead of passing the content of the variable. Once a variable is passed as a reference, any modification of the variable inside the procedure directly modifies the caller's variable inside the caller's space. The keyword `upvar` is used inside the body of the procedure to define a parameter that is passed as reference. The procedure `lshift` that has been introduced earlier uses this technique:

```
proc lshift {listVar} {
    upvar 1 $listVar L
    set r [lindex $L 0]
    set L [lreplace $L [set L 0] 0]
    return $r
}
```

In the example `proc myproc`, `lshift` is called by passing the variable name `args` instead of the content `$args`.

A global variable is a variable created outside of a procedure and that belongs to the global namespace. To refer to a global variable inside a procedure, the keyword `global` is used followed by the variable name:

```
proc printEnv {} {
    global env
    foreach var [lsort [array names env]] { puts " $var = $env($var)" }
}
```

The above example defines a procedure `printEnv` that prints the system environment variables. The Tcl array, `env` is a global variable initialized when the Vivado tools start. The `printEnv` procedure refers to the global `env` variable through the `global env` command. After the global variable is declared, it is accessed like any local variable. The global variable can be read and modified.

Another way to access a global variable is to specify the namespace qualifier with it. The namespace qualifier for the global namespace is `::` (without any quotes) and therefore a procedure can refer to the global variable `env` with `::env`. The syntax is the same for any global variable. For example:

```
proc printEnv {} {
    foreach var [lsort [array names ::env]] { puts " $var = $::env($var)" }
}
```

Since `printEnv` specifies the full path to the `env` variable, the procedure does not need to declare `global env`.

Note: Xilinx does not recommend that you use global variables as they rely on variable names created outside the scope of the procedure. Global variables are sometimes used to avoid having to pass large Tcl lists to a procedure. The `upvar` technique should always be considered before using a global variable.

Note: When using the run infrastructure in Project mode, it is not possible to share global variables defined inside the Vivado environment with the hook scripts. Refer to [Getting User Input](#) for recommended methods to share information between scripts.

Note: The `close_project` and `close_design` commands do not change the state of the Tcl interpreter. All the global variables and user created namespaces are persistent after running those commands.

Namespaces for Procedures

By default, every procedure created inside the Tcl interpreter is created inside the global namespace. A disadvantage of this is potential conflicts with the procedure or variable names when multiple Tcl scripts from different sources are being used. In addition, the global namespace is also being polluted by procedure names that might be only be used by some other procedures and that are not meant to be directly accessed by the user.

Instead of defining all the variables and procedures in the global namespace, Tcl supports the concept of namespace that encompasses variables and procedures inside a more private scope. Namespaces can also be nested, so a namespace can be defined inside another namespace without restriction on the number of levels of scoping. Namespaces add a new syntax to procedure and variable names. A double-colon, `::`, separates the namespace name from the variable or procedure name.

Below is an example that illustrates how a namespace is created and how procedures and variables are assigned to the namespace. This example creates a namespace, `foo` that reproduces the functionality of a small stack with two public procedures (`push` and `pop`):

```

01 namespace eval foo {
02     variable stack [list]
03     variable count 0
04     variable params
05     array set params [list var1 value1 var2 value2 var3 value3]
06
07     namespace export push pop
08
09     proc push { args } {
10         variable stack
11         variable count
12         lappend stack $args
13         incr count
14     }
15
16     proc pop {} {
17         variable stack
18         variable count
19         if {[llength $stack] > 0} {
20             set value [lindex $stack end]
21             set stack [lrange $stack 0 end-1]
22             incr count -1
23             return $value
24         } else {
25             error " no more element in the stack"
26         }
27     }
28
29 }
30
31 proc foo::dump {} {
32     variable stack
33     variable count
34     if {[llength $stack] > 0} {
35         puts " There are $count element(s) in the stack:"
36         foreach element $stack {
37             puts "   $element"
38         }
39         return 0
40     } else {
41         error " no element in the stack"
42     }
43 }
44
45 namespace import foo::*
    
```

Explanations:

1. The namespace is defined with the command:

```
namespace eval <name> { }
```

2. Line 1 declares the namespace, `foo` and line 29 is the closing curly bracket of the namespace definition.

- Variables inside the namespace are created with the command `variable` (lines 2-4):

```
variable <varname> ?<varvalue>?
```

A Tcl array cannot be initialized with the `variable` command. It needs to be created first (line 4) and initialized afterward (line 5).

Note: Do not use the `set` command to declare variables inside a namespace as it will confuse the Tcl interpreter in the case the same variable name exists in the global namespace.

- Procedures can be created directly inside the namespace definition or outside. When a procedure is created within the command, `namespace eval { }`, it does not need to have the namespace qualifier in the name (in this example `foo::`).

Lines 9 and 16: `push` and `pop` are created inside the namespace definition

- Procedures can also be created outside of the namespace definition and added to the namespace by using the full namespace qualifier prepended to the procedure name. In the above example, the procedure `dump` (line 31) is created output of the namespace definition but added to the namespace `foo`.
- Lines 10-11, 17-18, 32-33: Procedures refer to variables created inside the namespace using the keyword `variable`.
- A procedure created inside a namespace can be accessed with the full namespace qualifier, for example `foo::push`, `foo::pop` and `foo::dump`. From within the namespace itself, the namespace qualifier is not needed when referring to procedures from the same namespace. For instance, if the procedure `dump` needs to call `push`, it does not need to specify `foo::push`, but just `push`.
- Line 7: The namespace supports the concept of public and private procedures. Although all the procedures within a namespace can be accessed with the full namespace qualifier, a namespace can specify which of the procedures can be exported outside of the namespace with the command, `namespace export`. Once a procedure name is exported, it can be imported into the global namespace with the command, `namespace import` (line 45). Doing that enables the procedure to be directly called without having to specify the full namespace qualifier.

Here is an example usage of the namespace `foo`:

```
vivado% foo::push This is a test
1
vivado% foo::push {This is another line}
2
vivado% push This is the third line
3
vivado% foo::dump
  There are 3 element(s) in the stack:
    This is a test
    {This is another line}
    This is the third line
0
vivado% puts "The last element stacked is: [foo::pop]"
The last element stacked is: This is the third line
vivado% puts "The previous element stacked is: [pop]"
The previous element stacked is: {This is another line}
```

```
vivado% foo::dump
  There are 1 element(s) in the stack:
    This is a test
0
vivado% dump
invalid command name "dump"
```

Template Script

Below is a template script based on the notions that been introduced earlier. It illustrates:

1. Usage of a private namespace to avoid polluting the global namespace (`lshift` is only available inside the namespace `foo`).
2. Handling of command line arguments (including `-help` and `-version` to provide a version of the script).
3. Usage of `return -error` (or `error`) command to generate Tcl errors when it is needed.

```
namespace eval foo {
  namespace export myproc
  variable version 1.0
}
proc foo::lshift listVar {
  upvar 1 $listVar L
  set r [lindex $L 0]
  set L [lreplace $L [set L 0] 0]
  return $r
}
proc foo::myproc { args } {
  #-----
  # Process command line arguments
  #-----
  set error 0
  set help 0
  set verbose 0
  set ports {}
  # if {[llength $args] == 0} { incr help }; # Uncomment if necessary
  while {[llength $args]} {
    set flag [lshift args]
    switch -exact -- $flag {
      -p -
      -ports {
        set ports [lshift args]
      }
      -v -
      -verbose {
        set verbose 1
      }
      -h -
      -help {
        incr help
      }
      -version {
        variable version
        return $version
      }
      default {
        if {[string match "-*" $flag]} {
          puts " ERROR - option '$flag' is not a valid option."
        }
      }
    }
  }
}
```

```

        incr error
    } else {
        puts "ERROR - option '$flag' is not a valid option."
        incr error
    }
}
}
}
if {$help} {
set callerflag [lindex [info level [expr [info level] -1]] 0]
# <-- HELP
puts [format {
Usage: %s
        [-ports|-p <listOfPorts>]
        [-verbose|-v]
        [-version]
        [-help|-h]
Description: xxxxxxxxxxxxxxxxxxxxxxxx.
             xxxxxxxxxxxxxxxxxxxxxxxx.
Example:
    %s -port xxxxxxxxxxxxxxxxxxxx
} $callerflag $callerflag ]
# HELP -->
return -code ok {}
}
# Check validity of arguments. Increment $error to generate an error
if {$error} {
    return -code error {Oops, something is not correct}
}
# Do something
return -code ok {}
}

```

Accessing Design Objects

The Vivado Design Suite loads the project, design, and device information into an in-memory database, which is used by synthesis, implementation, timing analysis, and to generate a bitstream. The database is the same for project and Non-Project flows. The database is updated as you step through the FPGA design flow. You can write the database contents out to disk as a checkpoint file (.dcp) at any point of the design flow. Using Tcl commands in the Vivado tools lets you interact with the design database, query Tcl objects, read or set their properties, and use them in Tcl scripts for various purposes. It is very helpful to understand the content of the database, to understand how efficient scripts can be written around it.

The Vivado Design Suite Tcl interpreter provides access to many first class objects such as project, device, nets, cells, and pins. The Vivado Design Suite updates these design objects dynamically, as the design progresses, and loads them into the in-memory database in both Project and Non-Project modes.

You can interactively query design objects, analyze the state of your project, write a script to access the in-memory design, and run custom reports or execute optional design flow steps. Each object comes with a number of properties that can always be read and sometimes written. Most design objects are related to other design objects, allowing you to traverse the design to find related objects or information.

You can query design objects using the `get_*` Tcl commands which return list of design objects, that can be directly manipulated, or assigned to a Tcl variable. The complete list of `get_*` commands can be returned with `help get_*`. Caching objects in variables can save runtime by reducing the number of queries to the design database. Querying the list of nets or pins can be a time consuming process, so saving the results can speed the design flow when accessing the information repeatedly. See [Caching Objects](#) for more on this topic.

Each class of design object (net, pin, port,) has a unique set of standard properties that can be read and sometimes written to modify their value in the database. In addition, the design attributes specified in the RTL source files, the Verilog parameters and VHDL generics are stored with the associated netlist object as properties. For example, a port object has a property that indicates its direction, while a net object has a property that defines its fanout. The Vivado tools provides a number of commands for adding, changing, and reporting these properties. Using the `get_*-filter` option lets you get a list of design objects that is filtered, or reduced, to match specific property values, as described in [Filtering Results](#). We can get the list of properties on an object by using the `list_property` command. When a property type is `enum`, it is possible to get the list of all the valid values by using the `list_property_value` command.

There are two properties that are common to all objects: `NAME` and `CLASS`. When an object is assigned to a Tcl variable, a pointer to the object is stored in the variable. Objects can be passed by variable to Tcl commands or Tcl procs. When an object is passed as an argument to a Tcl proc or command which expects a string, the object's `NAME` property value is passed instead of the object itself. The example below shows a cell object assigned to the variable, `$inst`, and the results of the `puts` command and the `report_property` command on the `$inst` variable. Notice that the `puts` command just prints the object `NAME` because it only works with strings, while the `report_property` command returns all of the object properties and their values:

```
set inst [get_cells cpuEngine]
cpuEngine
puts $inst
cpuEngine
report_property $inst
Property      Type  Read-only Value
CLASS         string true   cell
FILE_NAME     string true
C:/2014.1/cpu/project_1.srcs/sources_1/imports/netlist/top.edf
IS_BLACKBOX   bool  true    0
IS_PRIMITIVE  bool  true    0
IS_SEQUENTIAL bool  true    0
LINE_NUMBER   int   true    812044
NAME          string true   cpuEngine
PRIMITIVE_COUNT int   true    11720
REF_NAME      string true   or1200_top
```

You can also create custom properties for any class of design objects in the Vivado Design Suite. This can be useful when you want to annotate some information from a script onto the in-memory design objects. The following example creates a property, `SELECTED`, for a cell object. The value of the property is defined as an integer.

```
create_property SELECTED cell -type int
```

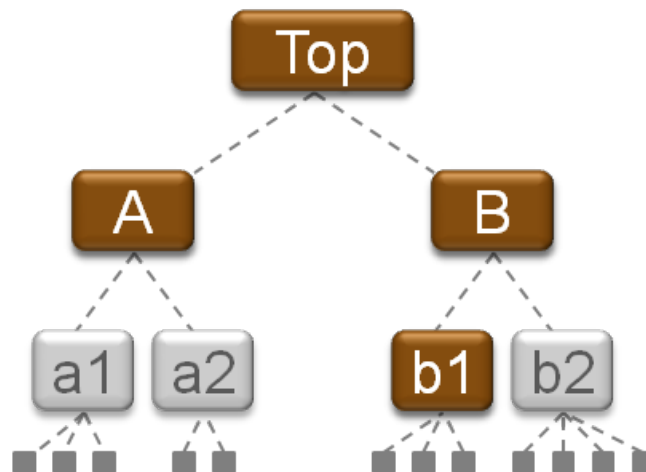
Once a property has been created on a class of objects, it can be managed on a specific object with `set_property` and `get_property` commands, and reported with `list_property` and `report_property` commands. The following example sets the `SELECTED` property to a value of 1 on all the cells that match the specified name pattern, `*aurora_64b66b*`:

```
set_property SELECTED 1 [get_cells -hier *aurora_64b66b*]
```

Getting Objects By Name

Most designs are made up of a series of blocks or modules connected in some hierarchical fashion. Whether the design is crafted from the bottom-up, or the top-down, or from the middle out, searching the design hierarchy to locate a specific object is a common task.

Figure 2: Searching the Design Hierarchy



By default, the `get_*` commands only return objects from the top-level of the design. You can use the `current_instance` command before using the `get_*` commands to scope the design object queries to a specific hierarchical instance of the design. To move the scope back to the top-level of the design, you simply have to use the `current_instance` command with no argument.

As an example, [Getting Objects By Name](#) shows a hierarchical design where the modules A and B are instantiated at the top-level. Module A includes the a1 and a2 hierarchical instances, and module B includes the b1 and b2 hierarchical instances. Each of a1, a2, b1, and b2 has leaf cells (unisim instances) inside, as indicated in the figure.

```
# Set the current instance of the design to module B.
current_instance B
get_cells * ; # Returns b1 and b2, cells found in the level of the current
instance.
get_nets * ; # Returns nets from module B, the current instance.
# Reset the current instance to the top-level of the design.
current_instance
get_cells * ; # Returns A and B, located at the top-level of the design.
```

Although the `get_*` commands only search the top level, or the level of the current instance, you can specify a search pattern that includes a hierarchical instance name relative to the current instance. By default, the current instance is set to the top-level of the design. To query the instance b1 from the top level, you can specify the following name pattern:

```
get_cells B/b1 ; # Search the top-level for an instance with a hierarchical
name.
```

Using the *-hierarchical* Option

While the default behavior is to search for objects only at the level of the current instance, many of the `get_*` commands have a `-hierarchical` option to enable searching the design hierarchy level by level, starting from the level of the current instance.

```
get_cells -hierarchical * ; # Returns all cells of the design.
get_nets -hier *nt* ; # Returns all hierarchical nets that match *nt*.
```


However, one important feature of the `-hierarchical` option is that the Vivado tools try to match the specified name pattern at each level of the design hierarchy, and not against the full hierarchical name of an object. In general, when `-hierarchical` is used, the specified search pattern must not include the hierarchical separator otherwise no object will be returned. There is an exception to this rule when the netlist has been partially flattened during synthesis. That is when the hierarchy separator is also used to mark the flattened netlist level. In this case, it is possible to use it in the search pattern as it only represents a level of hierarchy in the name and not in the design loaded in memory.

The following example is based on [Getting Objects By Name](#) which shows a purely hierarchical netlist.

```
get_cells -hierarchical B/* ; # No cell is returned.
get_cells -hierarchical b* ; # B/b1 and B/b2 are returned.
```

The `-hierarchical` search is equivalent to manually performing a search at each level of the hierarchy, using the `current_instance` command to set the search scope to a particular hierarchical instance, and return all the objects that match the specified name pattern at that level. The following Tcl code, based on [Getting Objects By Name](#), illustrates this manual process:

```
set result {}
foreach hcell [list " A B A/a1 A/a2 B/b1 B/b2] {
    current_instance $hcell ;# Move scope to $hcell
    set result [concat $result [get_cells <pattern>]]
    current_instance ;# Return scope to design top-level
}
```

 **IMPORTANT!** When `-hierarchical` is used with `-regexp`, the specified search string is matched against the full hierarchical name, and `B/. *` will return all cell names that match this pattern. For example, based on [Getting Objects By Name](#), `get_cells -hierarchical -regexp B/. *` returns all the cells below the block B. See the Vivado Design Suite Tcl Command Reference Guide ([UG835](#)) for more information on `-regexp`.

Using the `-filter` and `-regexp` Options

The Vivado Design Suite offers multiple ways to select a subset of objects with the `get_*` commands, using the `-filter` and/or `-regexp` options in conjunction with the `-hierarchical` option.

The table below summarizes the effect of the `-hierarchical/-filter/-regexp` options on the pattern that is provided to the command:

```
get_* [-hierarchical] [-filter] [-regexp] pattern
```

Table 1: Effects of `-hierarchical/-filter/-regexp` Options

<code>-hierarchical</code>	<code>-filter</code>	<code>-regexp</code>	Result
			Pattern matches the local name of objects that belong to the current hierarchical level (<code>current_instance</code>).
Yes			Pattern matches the local name of objects that belong to the current hierarchical level (<code>current_instance</code>) and below.
	Yes		Pattern is a filtering expression applied to objects that belong to the current hierarchical level (<code>current_instance</code>). The <code>NAME</code> property matches against the full hierarchical name of the object.
Yes	Yes		Pattern is a filtering expression applied to objects that belong to the current hierarchical level (<code>current_instance</code>) and below. The <code>NAME</code> property matches against the full hierarchical name of the object.
		Yes	Pattern is a regular expression that matches the local name of objects that belong to the current hierarchical level (<code>current_instance</code>).
Yes		Yes	Pattern is a regular expression that matches the local name of objects that belong to the current hierarchical level (<code>current_instance</code>) and below.

Table 1: Effects of `-hierarchical/-filter/-regexp` Options (cont'd)

<code>-hierarchical</code>	<code>-filter</code>	<code>-regexp</code>	Result
	Yes	Yes	<code>Pattern</code> is a filtering expression applied to objects that belong to the current hierarchical level (<code>current_instance</code>). The <code>Name</code> property matches against the full hierarchical name of the object. The matching expressions are based on the regular expression format.
Yes	Yes	Yes	<code>Pattern</code> is a filtering expression applied to objects that belong to the current hierarchical level (<code>current_instance</code>) and below. The <code>Name</code> property matches against the full hierarchical name of the object. The matching expressions are based on the regular expression format.

Note: The local name of an object refers to the part of the name that comes from the current hierarchical level (`current_instance`). It does not include the part of the name inherited from the parent.

Note: When some parts of the design have been flattened, the local name of objects that belonged to the flattened levels includes the hierarchical separator. In such a case, the hierarchy separator in this part of the name is not seen any more as a separator, but just as a literal character.

Note: The `-filter` option specifies a filtering expression where the pattern matching inside the expression follows the global expression format. A filtering expression involves string matching based on object properties and can be as complex as required. When the `NAME` property is used inside a filtering expression, the full hierarchical name of the object is used for the string matching and not its local name. However, only objects that belong to the current hierarchical level (`current_instance`) are being considered. If `-hierarchical` is used with `-filter`, then all the objects that belong to the current hierarchical level and below are considered for the filtering. If `-regexp` is used with `-filter`, the pattern matching inside the expression follows the regular expression format.

Note: The `-regexp` option implies that the pattern provided to the command is a regular expression. Be careful as some characters, such as `*`, `.`, `[`, `]`, `+`, have a special meaning inside a regular expression. Those characters need to be escaped when used as literal and not as special characters in the context of the regular expression.

The string matching is case sensitive and always anchored to the start and end of the search string. To match a sub-string of a search string, use the following syntax depending on whether or not a regular expression is used:

- The pattern follows the format of a regular expression (`-regexp` only): `.*<substring>.*`
- The pattern follows the format of a global expression (other options): `*<substring>*`

Following are some examples based on the `cpu_hdl` project, which can be found under the Open Example Project link on the Getting Started page of the Vivado IDE, that illustrate the differences between the options.

- Change the current instance to `fftEngine/fftInst/ingressLoop[7].ingressFifo:`

```
vivado% current_instance fftEngine/fftInst/ingressLoop[7].ingressFifo
fftEngine/fftInst/ingressLoop[7].ingressFifo
```

- Get all the cells under the current instance: there is only one (hierarchical) cell:

```
vivado% get_cells
fftEngine/fftInst/ingressLoop[7].ingressFifo/buffer_fifo
vivado% get_cells -hier
fftEngine/fftInst/ingressLoop[7].ingressFifo/buffer_fifo
fftEngine/fftInst/ingressLoop[7].ingressFifo/buffer_fifo/
infer_fifo.two_rd_addr_reg
[8]_i_1__29 (154 other cells)
```

- The local name of the cells under the current instance and below does not include `ingressLoop`. The string `ingressLoop` is inherited from the parent cell and is part of the full hierarchical name:

```
vivado% get_cells *ingressLoop*
WARNING: [Vivado 12-180] No cells matched '*ingressLoop*'.
vivado% get_cells *ingressLoop* -hier
WARNING: [Vivado 12-180] No cells matched '*ingressLoop*'.
```

- With the `-filter` option, the `NAME` property matches the full hierarchical names:

```
vivado% get_cells -filter {NAME =~ *ingressLoop*}
fftEngine/fftInst/ingressLoop[7].ingressFifo/buffer_fifo
vivado% get_cells -filter {NAME =~ *ingressLoop*} -hier
fftEngine/fftInst/ingressLoop[7].ingressFifo/buffer_fifo
fftEngine/fftInst/ingressLoop[7].ingressFifo/buffer_fifo/
infer_fifo.two_rd_addr_reg
[8]_i_1__29 (154 other cells)
```

- Search for cells matching the pattern `*reg[*]*`:

```
vivado% get_cells *reg[*]*
WARNING: [Vivado 12-180] No cells matched '*reg[*]*'.
vivado% get_cells *reg[*]* -hier
fftEngine/fftInst/ingressLoop[7].ingressFifo/buffer_fifo/
infer_fifo.wr_addr_reg[9]_
i_1__15 (109 other cells)
vivado% get_cells -hier -regexp {.*reg\[.*\].*}
fftEngine/fftInst/ingressLoop[7].ingressFifo/buffer_fifo/
infer_fifo.wr_addr_reg[9]_
i_1__15 (109 other cells)
vivado% get_cells -hier -regexp {.*reg[.].*}
WARNING: [Vivado 12-180] No cells matched '.*reg[.].*'.
```

The last query, `get_cells -hier -regexp {.*reg[.].*}` does not match any cell since the square brackets, `[]` have not been escaped. As a result, they are processed as special characters for the regular expression and not as literal square brackets in the cell name.

When a range of values needs to be specified in the filtering expression, the `-regexp` option should be used in addition to the `-filter` option. For example, the code below only gets the cells from `*reg[0]*` to `*reg[16]*`. The regular expression is built around matching `.*reg\[([0-9])\].*` or matching `.*reg\[1[0-6]\].*` as shown below:

```
expanses="page">vivado% get_cells -hierarchical -regexp -filter {NAME =~
"*.reg\[([0-9])|1[0-6]\].*"}
```

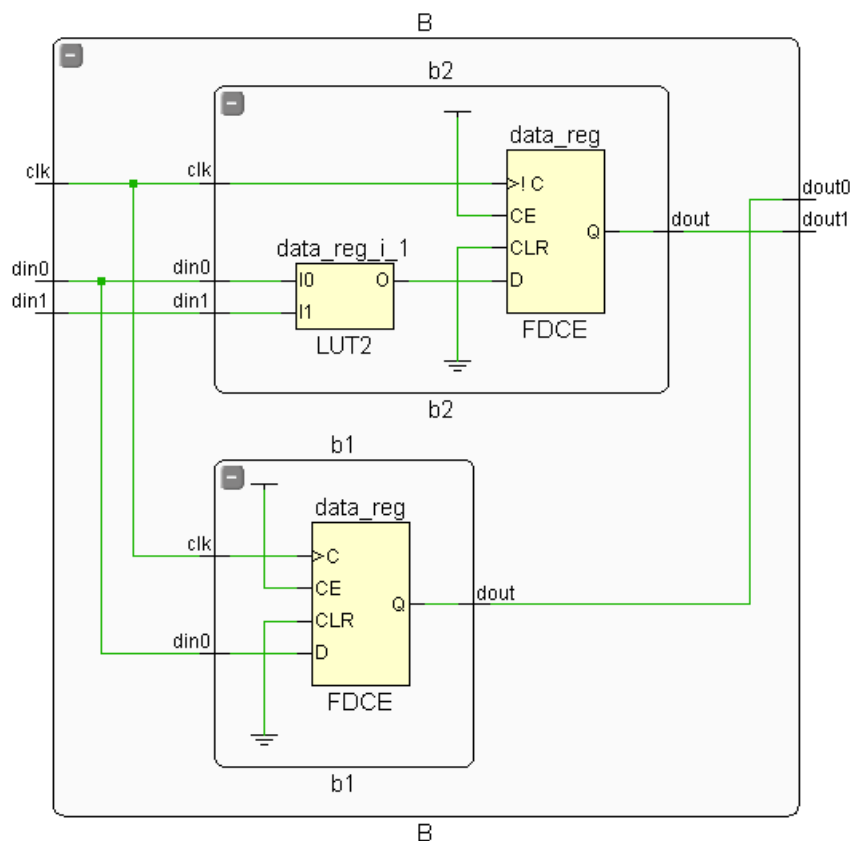
In another example, both commands below return all the tiles matching `CLB*X*Y*`, excluding the tiles from `CLB*X1Y*` to `CLB*X16Y*` with `X` between 1 and 16:

```
expansion="page">vivado% get_tiles -regexp -filter {NAME !~ "CLB.*X([1][0-6]|[0-9])Y.*" && TYPE=~ "CLB.*"}
```

```
expansion="page">vivado% get_tiles -regexp -filter {NAME !~ "CLB.*X1[0-6]Y.*" && NAME !~ "CLB.*X[1-9]Y.*" && TYPE=~ "CLB.*"}
```

Searching for Pins

Figure 3: Searching for Pin Names



The names of pins are based on the instance they belong to. When searching for pins, you must use the hierarchy separator character to separate the instance name and the pin name patterns. The following examples are illustrated by [Searching for Pins](#).

```
# Current instance is set to design top-level
get_pins B/* ; # Returns B/clock B/din0 B/din1 B/dout0 B/dout1
get_pins B/b2/*/O ; # Returns B/b2/data_reg_i_1/O
current_instance B/b2 ; # Change scope to B/b2
get_pins *_reg/D ; # Returns B/b2/data_reg/D
```

You can also use the `-hierarchical` option when searching for pins:

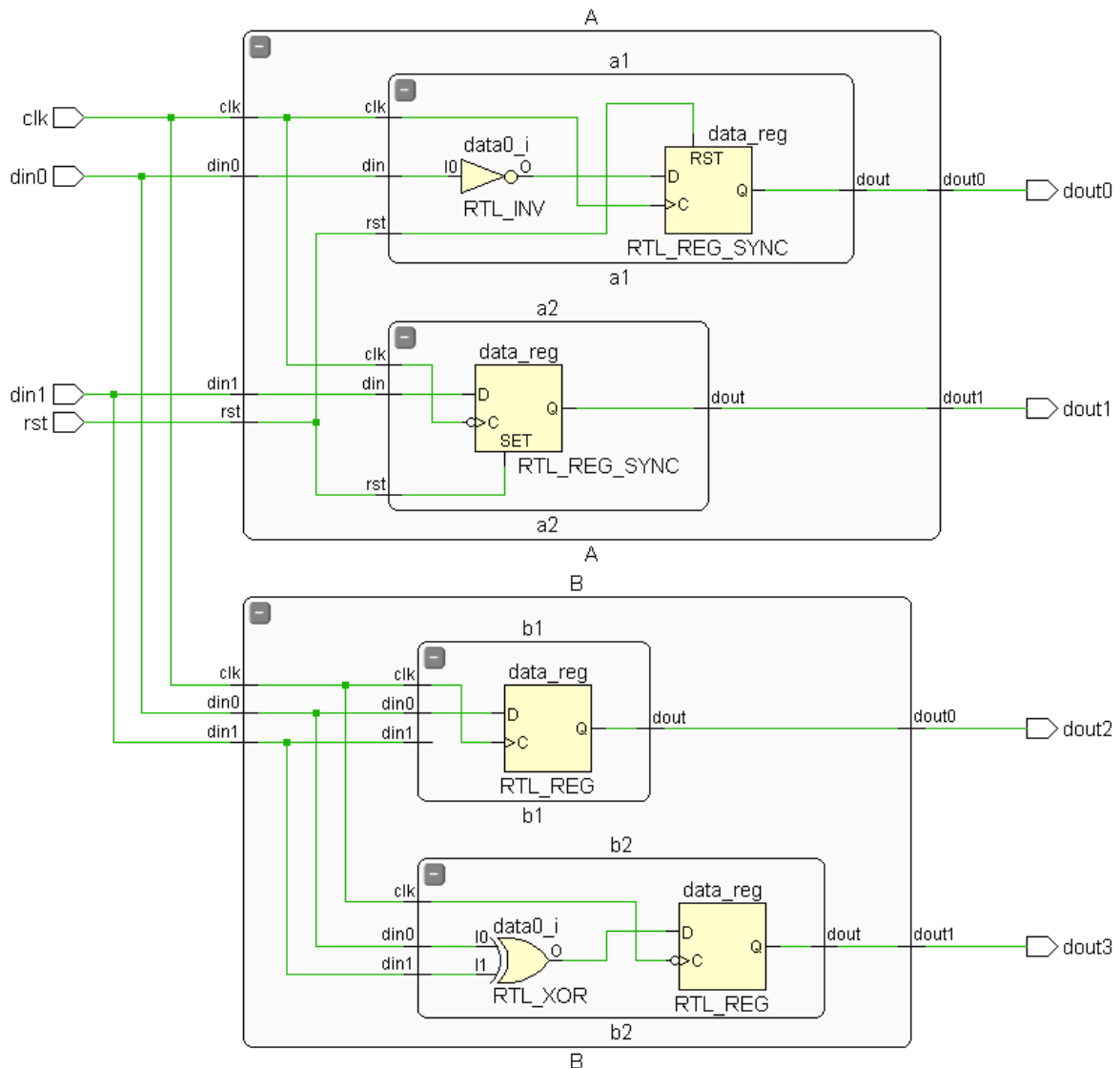
```
current_instance ; # Reset to the top-level of the hierarchy
get_pins -hier */D # Returns pin objects for all D pins in the design
```

Note: `-hierarchical` and `-hier` refer to the same option. The Vivado Design Suite Tcl shell completes option names automatically if enough characters are provided to identify a unique option. Therefore, `-of_object` and `-of` can also refer to the same option.

Filtering Results

More often than not, when you use `get_*` to search for design objects, you are only interested in a subset of the objects returned. You might not want all of the netlist objects in the design, but for example, only cells of a certain type, or nets of a certain name. In some cases, only a subset of elements are of interest and need to be returned.

Figure 4: Searching Hierarchical Designs




You can limit the search results, by narrowly defining your search pattern, using wildcards '*' and '?', or using `-regexp` to build complex search patterns to evaluate. You can limit the scope of hierarchy being searched, by setting the `current_instance` or by specifying `-hierarchy`.

For example, the following expressions return different results:

```
get_cells * ; # Returns 2 cells: A,B
get_cells -hier * ; # Returns all cells of the design (leaf and
hierarchical)
get_cells -hier * -filter {NAME =~ */?1/*} ; # Returns 3 cells: A/a1/
data0_i,
# A/a1/data_reg, B/b1/
data_reg
```

The `-filter` option lets you filter the results of the `get_*` commands, based on specific properties of the objects being searched. For example, the following command returns all the cells with a hierarchical name that begins with `B/b*`, and that have not been placed by the user, so that `IS_LOC_FIXED` is `FALSE`, or `0`:


```
set unLoced [ get_cells -hier -filter {NAME =~ B/b* && !IS_LOC_FIXED} ]
```


 **IMPORTANT!** The `NAME` property contains the full hierarchical name of the object. When filtering on the `NAME` property, the pattern is evaluated against the complete `NAME` string, regardless of the other options used in the command, including `-hierarchical`.

The `-filter` option causes Vivado to filter the results of a query before it is returned. However, in some cases you may have assigned the results of a prior search to a variable, that is now stored in memory. The `filter` command lets you filter the content of any list of objects, including lists stored in a variable. Using the results of the prior example, stored in `$unLoced`, you can further filter the list of objects as follows:

```
set unLocedLeaf [filter $unLoced {IS_PRIMITIVE}]
```

The preceding example filters the stored results of the prior search, filtering the list to return only the objects that are primitive instances in the design.

 **IMPORTANT!** The `filter` command does not modify the original Tcl variable and therefore the result must be saved inside another Tcl variable.

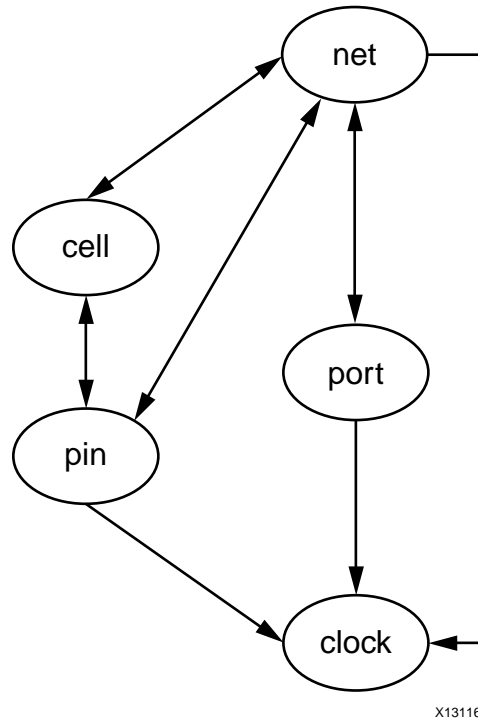
 **TIP:** Note the direct use of the boolean properties `IS_LOC_FIXED` and `IS_PRIMITIVE` in the example above. Boolean (`bool`) type properties can be directly evaluated in filter expressions as `true` or `false`.

The specific operators that can be used in filter expressions are "equals" and "not-equals" (`==` and `!=`), and "contains" and "not-contains" (`=~` and `!~`). Numeric comparison operators `<`, `>`, `<=`, and `>=` can also be used. Multiple filter expressions can be joined by `AND` and `OR` (`&&` and `||`).

Getting Objects by Relationship

There are times when you will need to find objects that are related to other objects in the design. For instance, selecting all of the nets connected to the pins of a specific cell, or all of the cells connected to a specific net. The Vivado Design Suite provides the ability to traverse the elements of the design through their various relationships to one another. This is accomplished through the use of the `-of_objects` option supported by many of the `get_*` commands. [Getting Objects by Relationship](#) illustrates the relationship of objects in the in-memory design.

Figure 5: Vivado Design Suite Object Relationships



Note: This image is intended to be representative, and is not a complete map of all objects and relationships in the Vivado Design Suite database.

The Help message for each of the `get_*` commands that supports the `-of_objects` option lists the related objects that can be traversed:

```

get_cells -of_objects {pins, timing paths, nets, bels or sites}
get_clocks -of_objects {nets, ports, or pins}
get_nets -of_objects {pins, ports, cells, timing paths or clocks}
get_pins -of_objects {cells, nets, bel pins, timing paths or clocks}
get_ports -of_objects {nets, instances, sites, clocks, timing paths, io
standards, io
banks, package pins}
    
```

With the `-of_objects` option, getting the list of all pin objects attached to a list of net objects becomes very simple:

```

get_pins -of_objects [get_nets -hier]
    
```

To only get the list of drivers for those nets you just need to use the `-filter` option:

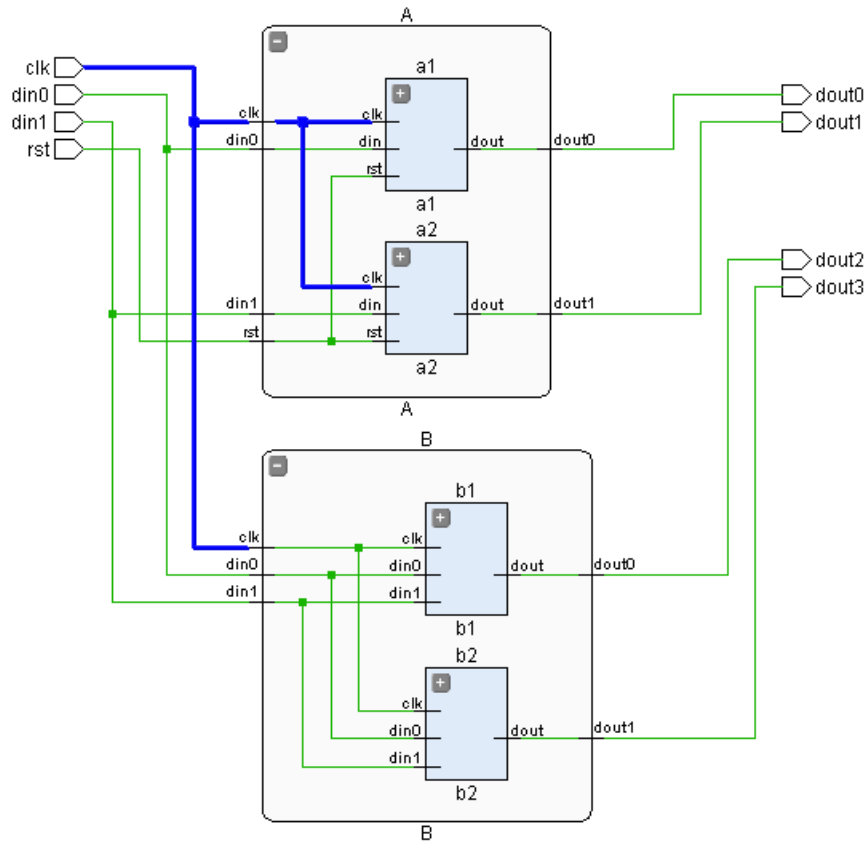
```

get_pins -of [get_nets -hier] -filter {DIRECTION == OUT}
    
```

Note: If an empty list of objects is passed through `-of_objects`, then the `get_*` command returns an empty Tcl list.

You can also get the list of pins from a list of cells, or a list of cells from a list of nets and so on.

Figure 6: Traversing Objects by Relationship



Using [Getting Objects by Relationship](#) as an illustration, the following example gets the clock pin from instance a1, then works its way outward and upward through the hierarchy. It gets the net connected to that pin, and gets the pins connected to that net, then gets the nets connected to those pins, and finally gets the pins connected to those nets.

```
get_pins -of [get_nets -of [get_pins -of [get_nets -of [get_pins A/a1/
clk]]]]
A/a2/clk A/clk A/a1/clk B/clk
```

Notice that the last `get_pins` command returns the clock pin of hierarchical module B, `B/clk`, along with the other pins that have already been returned. However, to cross the hierarchy, and return the primitive pins on the clock net object, you can use the `-leaf` option of the `get_pins` command. The following example shows what is returned when `-leaf` is used:

```
get_pins -leaf -of [get_nets -of [get_pins -of [get_nets -of [get_pins A/a1/
clk]]]]
B/b1/data_reg/C A/a2/data_reg/C A/a1/data_reg/C B/b2/data_reg/C
```

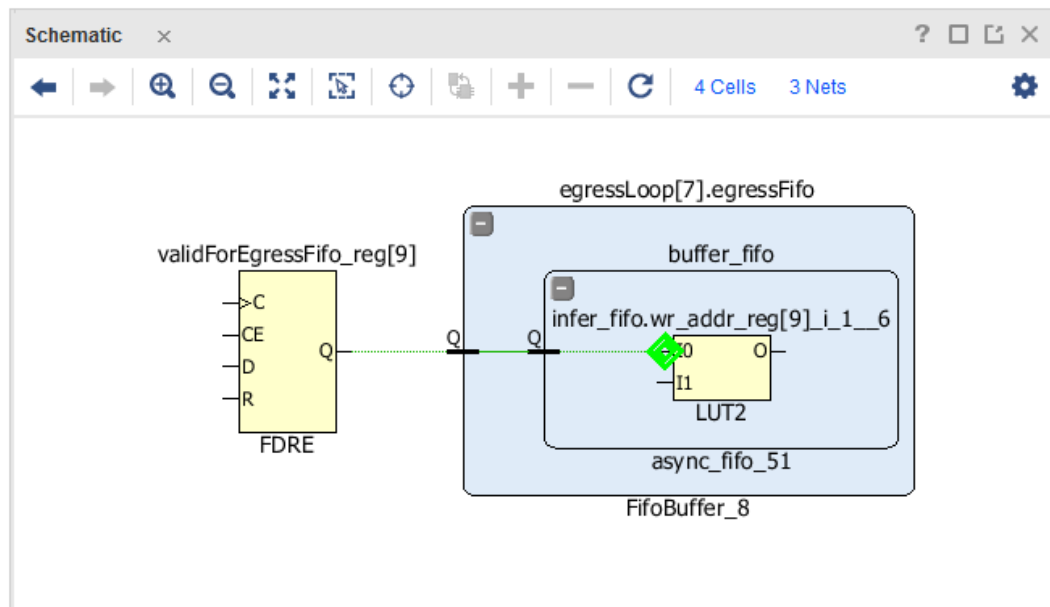

get_nets Command

The `get_nets` command can return multiple representations of the same net as the net traverses through the design hierarchy. Below are some examples using the options provided with `get_nets` to ensure that the proper representation of the net is selected.

The following examples use the leaf pin of a LUT2 as defined below to query different segments of the net connected to the leaf pin.

```
set mypin [get_pins{egressLoop[7].egressFifo/buffer_fifo/infer_fifo.wr_addr_reg[9]_i_1_6/I0}]
mark_objects -color green $mypin
```

Figure 7: Set mypin Example



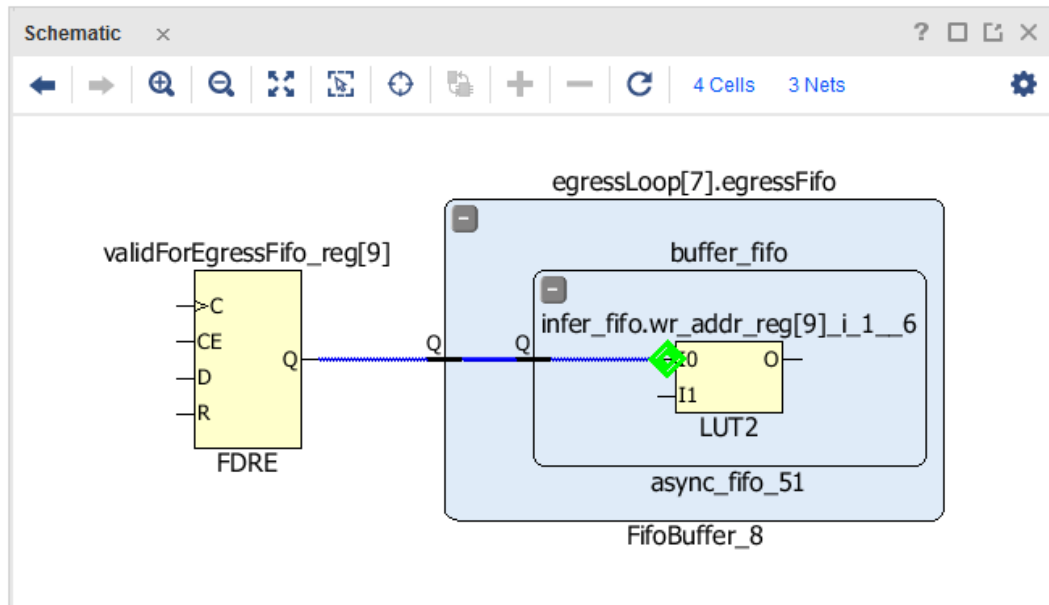
Simply getting the net connected to the leaf pin `mypin` returns the net segment within the hierarchy directly connected to the leaf pin.

```
select_objects [get_nets -of $mypin]
```

In order to select all segments of the net connected to leaf pin `mypin`, use the `-segments` option.

```
select_objects [get_nets -segments -of $mypin]
```

Figure 8: get_nets Segments Example



In order to only get the net segment at the highest level of the hierarchy connected to the leaf pin mypin, use the `-top_net_of_hierarchical_group` along with the `-segments` option. This is often useful when printing debug statements as this will provide the name of the net with the shortest number of characters.

```
select_objects [get_nets -top_net_of_hierarchical_group -segments -of $mypin]
```

Figure 9: get_nets Top Segments Example

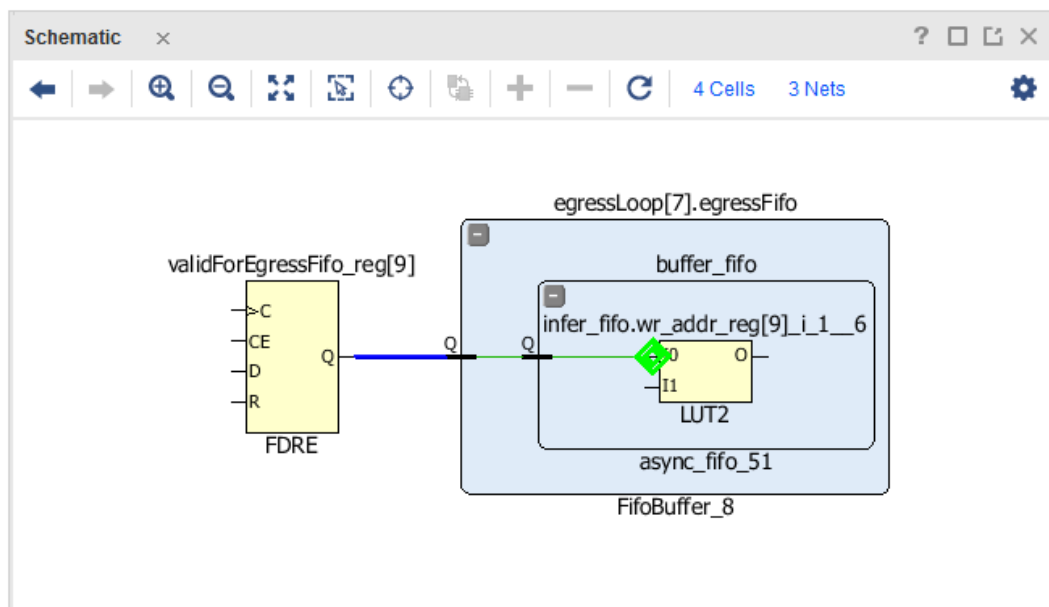
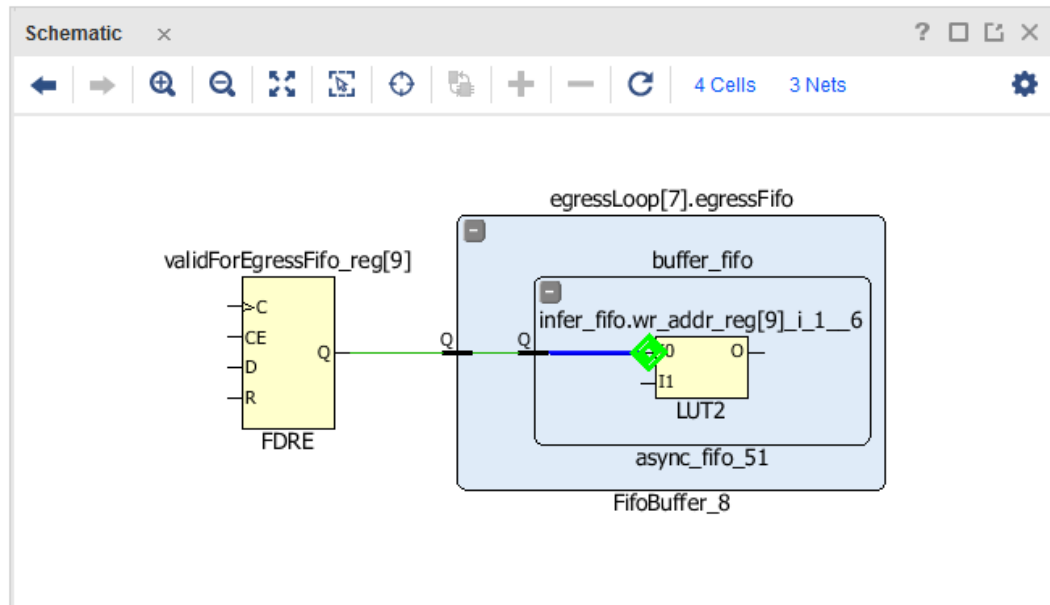


Figure 10: `get_nets` of Pin Example


Timing Path Object

The `get_timing_path` command can be used to return a list of timing path objects. Because the `get_timing_path` command uses the same engine as the `report_timing` command, it also shares most of its command line options.

Timing path objects can be very practical to perform advanced scripting related to static timing analysis. The timing path object can also be used to generate the full text report of the path using `report_timing -of <timingPathObject>`.

The commands `get_nets`, `get_cells`, or `get_pins` can be used on a timing path object to query list of nets/cells/pins in the datapath section of the path. The design elements inside the source and destination clock networks cannot be queried.

The list of objects returned from a timing path objects by `get_nets`, `get_cells`, or `get_pins` is sorted based on the appearance of the design elements inside the datapath.

Persistency of Objects

A Vivado object persists as long as the element it points to exists in memory. For example, if a Tcl variable points to a cell object and the cell is deleted afterward (either manually or through some optimization steps), the cell object becomes null. This could lead to unexpected results or crash if you execute a command that relies on it.

In the same way, once a design or a project is closed, all the design objects and potentially all the other Vivado objects are nullified, and any Tcl variable pointing to Vivado objects that no longer exist is stalled.



CAUTION! If you execute a command that relies on an object that no longer exists in memory, the command could produce unexpected results or cause a system crash.

For example, the code below is flawed:

```
foreach port [get_ports] {
    # The 'port' object is used as key
    set dir($port) [get_property DIRECTION $port]
}
foreach key [array name dir] {
    puts "$key -> $dir($key)"
}
close_project
# All the objects have been nullified
foreach key [array name dir] {
    # null
    puts "$key -> $dir($key)"
}
```

Once the project is closed, all the objects (i.e., port objects in this example) are nullified and therefore it is no longer possible to print the list of ports.

To be able to print the list of ports after the design is closed, the associative array 'dir' should have been built using the property NAME of the 'port' object:

```
foreach port [get_ports] {
    set dir([get_property NAME $port]) [get_property DIRECTION $port]}
```

Another example of objects becoming invalid is after using the command 'read_checkpoint -cell <cell>'. When a checkpoint is read for a cell, the design is rebuilt in the background and previous first-class objects become invalid. The code below could result in a crash as the objects from the get_cell query are invalidated after the first read_checkpoint:

```
foreach cell_hd [get_cell -hier -filter HD.RECONFIGURABLE==1] {
    read_checkpoint -cell $cell ...
}
```

The safe way to write the code is to convert the objects into their string representation:

```
foreach cell_hd [get_property NAME [get_cell -hier -filter
HD.RECONFIGURABLE==1]] {
    read_checkpoint -cell $cell ...
}
```

Handling Lists of Objects

When using the `get_*` commands, the returned object looks and acts like a standard Tcl list. However, the Vivado Design Suite is returning a container of a single class of objects (for example cells, nets, pins, or ports), which is not a generic Tcl list. However, for most of your purposes, the container of objects looks and acts just like any Tcl list. The container of objects is handled automatically by the Vivado Design Suite, and is totally transparent to the user. For example, the standard Tcl `llength` command can be used on a container of objects (for example from `get_cells`) and returns the number of elements in the container, like it would for any standard Tcl list.

The built-in Tcl commands that handle lists in the Vivado Design Suite have been overloaded and enhanced to fully support objects and containers of objects. For example, `lsort`, `lappend`, `lindex`, and `llength`, have been enhanced to manage the container based on the `NAME` property of the object. The result of these commands, when passed a container of objects, returns a container of objects. For example, `lsort` will sort a container of cells from the `get_cells` command based on the hierarchical names of the objects.

You can add new objects to the container (using `lappend`, for instance), but you can only add the same type of object that is currently in the container. Adding a different type of object, or string, to the list is not permitted and will result in a Tcl error.

The following example shows a Vivado container being sorted in a descending order, and each object put onto a separate line, by using the `puts` command and a `foreach` loop:

```
foreach X [lsort -decreasing [get_cells]] {puts $X}
wbArbEngine
usb_vbus_pad_1_i_IBUF_inst
usb_vbus_pad_0_i_IBUF_inst
usbEngine1
usbEngine0
...
```

Note: Although the `lappend` command is supported by the Tcl Console, it is not supported in a XDC constraint file with the `read_xdc` command. However, it is possible to convert a list built with the `lappend` command in a different way that is compatible with the `read_xdc` command. In the following example:

```
set myClocks {}
lappend myClocks [get_clocks CLK1]
lappend myClocks [get_clocks CLK2]
lappend myClocks [get_clocks CLK3]
```

The Tcl variable `myClocks` can be built differently to be compatible with the `read_xdc` command:

```
set myClocks [list [get_clocks CLK1] \
                  [get_clocks CLK2] \
                  [get_clocks CLK3] \
                  ]
```

Collection versus String Representation

The `get_*` commands do not create a regular Tcl list of elements. They create a Vivado collection of objects, but the Vivado collections have been implemented in such way that they behave like any regular Tcl list. The process is transparent to the user and to Tcl. Vivado collections behave like Tcl lists and can be manipulated in the very same way and with the same commands.

Vivado collections have been implemented in Tcl to improve runtime and reduce the memory footprint when dealing with Vivado objects.

Now, when a Vivado collection is converted as a string, it is possible to limit the number of objects to be converted. So, for example, if you print in the Tcl console a list of instances, and that the list (a Vivado collection under the hood) has 100,000 instances, only the first 500 (default limit) instances will be exported. This avoids cluttering the Tcl console with a string that could be extremely long.

The notion of string representation of a Vivado collection of objects is important to understand. The maximum number of objects to include in the string representation of a collection is controlled through the parameter `tcl.collectionResultDisplayLimit`:

```
tcl.collectionResultDisplayLimit 500 integer true
```

The maximum number of elements can be displayed by any command that displays a collection. You can make this unlimited by setting the limit to 0. (default: 500). For example:

```
set_param tcl.collectionResultDisplayLimit 0
set_param tcl.collectionResultDisplayLimit 1000
```

When a Vivado collection has more elements than the limit defined by the parameter `tcl.collectionResultDisplayLimit`, only the first *n*th elements are converted as a string, then `!..!` is added at the end of the string representation to indicate that more elements in the original collection have not been included.

Note: The string representation does not alter the original collection in any way so there is never any loss of elements in the original collection.

Note: The parameter `tcl.collectionResultDisplayLimit` only applies to string representation of Vivado collections. It does not apply to string representation of regular Tcl lists.

For example, if a design has 20000 instances:

```
vivado% set cells [get_cells -hier]
vivado% llength $cells
20000
vivado% set var [join $cells "\n"]
vivado% llength $var
501
vivado% lindex $var end
...
```

Redirecting Output

Many of the Vivado Design Suite Tcl commands allow you to redirect the information returned by the command to a file with the `-file` option, for printing or processing outside of the tool; or as a string that can be saved in a variable with the `-return_string` option for further processing within the Vivado tools.

All of the report commands support the `-file` option. File output is useful for report commands that output a great deal of information, that may require further review, or support the documentation of a design project, or to pass to downstream processes such as other design disciplines, or other departments. Some of the commands supporting file output include:

```
report_datasheet
report_drc
report_power
report_timing
report_timing_summary
report_utilization
```

For example, to save the results of the `report_timing` command to a file:

```
report_timing -delay_type max -file setup_violations.rpt
report_timing -delay_type min -file hold_violations.rpt
```

A relative or absolute path can be specified as part of the file name. A relative path is relative to the directory from which the Vivado tools have been started, or to the current working directory which can be retrieved with the `pwd` command.



TIP: If the path is not specified as part of the file name, the file is written into the current working directory, or the directory from which the Vivado tools were launched.

To append the content from a command to an existing file, use the `-append` option in addition to `-file`. For example, the code below creates one file, `all_violations.rpt`, that combines the output of two separate commands:

```
report_timing -delay_type max -file all_violations.rpt
report_timing -delay_type min -file -append all_violations.rpt
```

After the file has been created, you may have need to access the file from the file system, opening the file to read from it, or to write to it. The Vivado Design Suite Tcl console offers a number of commands for accessing files. See [Accessing Files](#) for more information.

All `report_*` commands also support the `-return_string` option. This option directs the command to return its output as a string that can be assigned to a Tcl variable. Assigning the command output to a variable is useful for further processing within the Tcl script, to allow extraction of key information to enable flow control, branching, and to set other variables for use in the script.

Some of the commands that support `-return_string` are:

```
report_clocks
report_clock_interaction
report_disable_timing
report_environment
report_high_fanout_nets
report_operating_conditions
report_power
report_property
report_pulse_width
report_route_status
report_utilization
```

You can split the returned string from the report on the newline character, `\n`, to process the string line by line as a list:

```
set timeLines [split [report_timing -return_string -max_paths 10] \n ]
```

The Vivado Design Suite Tcl console also offers many tool for working with strings. See [Working with Strings](#) for more information.

Accessing Files

After a file has been written to the file system, Tcl provides many useful commands for working with the files. You can extract elements of a file, such as the file path, file name and file extension. Some of the Tcl commands available to examine information about file include:

- `file exists <filename>`: A boolean test that returns 1 if `filename` exists, and you have permission to read its location; returns 0 otherwise. Use this to determine if the file you are looking for already exists.
- `file type <filename>`: Returns the type of filename as a string with one of the following values: `file`, `directory`, `characterSpecial`, `blockSpecial`, `fifo`, `link`, or `socket`.
- `file dirname <filename>`: This returns the directory structure of the `fileName`, up to but not including the last slash.
- `file rootname <filename>`: Returns all the characters in `filename` up to but not including last dot.

- `file tail <filename>`: Return all characters in `filename` after the last slash.
- `file extension <filename>`: Returns all characters in `filename` after, and including, the last dot.

The following examples illustrates some of the Tcl commands:

```
set filePath {C:/Data/carry_chain.txt}
file dirname $filePath ; # Returns C:/Data
file tail $filePath ; # Returns carry_chain.txt
file extension $filePath ; # Returns .txt
```

After the Vivado tools have created a file, through a `report_*` command, or `write_*` command, you can open the file from within a Tcl script to read its contents, or to write additional content. To open, read from, write to, and close a file, you can use some of the following Tcl commands:

- `open <filename> [access] [perms]`: Opens the `filename` and returns the file handle, or `fileID`, used to access the file. It is a standard practice to capture the `fileID` in a Tcl variable, so that you can refer to the file handle when needed. The file permissions of a new file are set to the conjunction of `perms` and the process `umask`. The `access` mode determines whether you can read to or write to the open file. Some common access modes are:
 - **r**: Read only. The file must exist; it will not be created. This is the default access mode if one is not specified.
 - **w**: Write only. This will create the specified file if it does not already exist. The data is written to the front of the file, truncating or overwriting the content of an existing file.
 - **a**: Append only. This will create the specified file if it does not already exist. The data is written at the end of the file, appending to any existing file content.
- `read [-newline] fileId`: Read all remaining bytes from `fileId`, optionally discarding the last character if it is a newline, `\n`. When used in this form right after opening the file, the `read` command will read the entire file at once.
- `read fileId numBytes`: Read the specified number of bytes, `numBytes`, from `fileId`. Use this form of the command to read blocks of the file, up to the end of the file.
- `eof fileId`: Returns 1 if an end-of-file (EOF) has occurred on `fileId`, 0 otherwise.
- `gets fileId [varName]`: Read the next line from `fileId`, discarding the newline character. Places the characters of line in `$varName` if given, otherwise returns them to the command shell. The following are different forms of the `gets` commands:

```
gets $fileHandle
Append line 4 of file.
gets $fileHandle line
28
puts $line
```

```

Append line 5 of file.
set line [gets $fileHandle]
Append line 6 of file.
puts $line
Append line 6 of file.
    
```

In the preceding example, `$fileHandle` is the file handle returned when the file was opened. The first line uses the simple form of `gets`, without specifying a Tcl variable to capture the output. In this case the output is returned to `stdout`. The second form of the command assigns the output to a variable called `$line`, and the `gets` command returns the number of characters it has read, 28.

Note: You can assign the return of the `gets` command to a Tcl variable, but depending on which form you are using you may capture the contents of the file, or the number of characters the `gets` command has read.

- `puts [-nonewline] [fileId] string`: Write a string to the specified `fileId`, optionally omitting the newline character, `\n`. The default `fileId` for the `puts` command is `stdout`.
- `close fileId`: Close the open file channel `fileId`. It is very important to close any files your Tcl scripts have opened, or you may develop memory leaks in the Vivado application, or encounter other undesirable effects.

The following example opens a file in read access mode, storing the file handle as `$FH`, reads the contents of the file in a single operation, assigning it to `$content`, and splits the contents into a Tcl list. The file is closed upon completion.

Note: It is not recommended to read large files in a single operation due to performance and memory considerations.

Rather than reading the entire file at once, and then parsing the results, the following example reads the file line-by-line until the end of the file has been reached, and writes the line number and line content to `stdout`. The file is closed upon completion:

```

set FH [open C:/Data/carry_chains.txt r]
set i 1
while {[eof $FH]} {
    # Read a line from the file, and assign it to the $line variable
    set line [gets $FH]
    puts "Line $i: $line"
    incr i
}
close $FH
set FH [open C:/Data/carry_chains.txt r]
set content [read $FH]; # The entire file content is saved to $content
foreach line [split $content \n] {
    # The current line is saved inside $line variable
    puts $line
}
close $FH
    
```

The example below writes to a file, `ports.rpt`, saving all the I/O ports from the design, with the port direction, sorted by name:

```
set FH [open C:/Data/ports.rpt w]
foreach port [lsort [get_ports *]] {
    puts $FH [format "%-18s %-4s" $port [get_property DIRECTION $port]]
}
close $FH
```

In the example above, the file is opened in write mode. Unlike read mode, the write mode will create the file if it does not exist, or overwrite the file if it does exist. To write new content to the end of an existing file, you should open the file in append mode instead.

Working with Strings

The `-return_string` argument directs the output of a `report_*` command to a Tcl string rather than to `stdout`. The string can be assigned to a Tcl variable, and parsed or otherwise processed.

```
set rpt [report_timing -return_string]
```

After the string has been assigned to a variable, Tcl provides many useful commands for processing the string in a number of ways:

- `append string [arg1 arg2 ... argN]`: Appends the specified `args` to the end of `string`.
- `format formatString [arg1 arg2 ... argN]`: Returns a formatted string generated to match the format specified by the `formatString` template. The template must be specified using `%` conversion specifiers as used in `sprintf`. The additional arguments, `args`, provide values to be substituted into the formatted string.
- `reg exp [switches] exp string`: Returns 1 if the regular expression, `exp`, matches all or part of `string`, 0 otherwise. The `-nocase` switch can be specified to ignore character case when matching.
- `string match patternstring`: Returns 1 if the `glob` `pattern` matches `string`, 0 otherwise.
- `scan stringformatString [varName1varName2 ...]`: Extracts values from the specified `string` into variables, `varName`, applying the `formatString` using `%` conversion specifiers as in `sscanf` behavior. If no `varNames` are specified, `scan` returns the list of values to `stdout`.
- `string range stringfirst last`: Returns the range of characters from `string` specified by character indices `first` through `last` inclusive.

- `string compare string1string2`: Performs a lexicographical comparison of two strings, and returns -1 if `string1` comes before `string2`, 0 if they are the same, and 1 if `string1` comes after `string2`.
- `string last string1string2`: Return the character index in `string2` of the last occurrence of `string1`. Returns -1 if `string1` is not found in `string2`.
- `string length string`: Returns the number of characters in `string`.

The following example assigns the results of the `report_timing` command to the `$report` Tcl variable, using `-return_string`. The string is processed to extract the start point, end point, path group and path type of each path. After the path information is extracted, a summary of that path is printed to the Tcl console.

```
# Capture return string of timing report, and assign variables
set report [report_timing -return_string -max_paths 10]
set startPoint {}
set endPoint {}
set pathGroup {}
set pathType {}
# Write the header for string output
puts [format "%-12s %-12s %-20s -> %-20s" "Path Type" "Path Group" "Start
Point" "End Point"]
puts [format "%-12s %-12s %-20s -> %-20s" "-----" "-----"
"-----" "-----"]
# Split the return string into multiple lines to allow line by line
processing
foreach line [split $report \n] {
if {[regexp -nocase -- {\s*Source:\s*([\[:blank:\]]+)(\s+\(?|\$)} $line -
startPoint]} {
} elseif {[regexp -nocase -- {\s*Destination:\s*([\[:blank:\]]+)(\s+\(?|\$)} $line -
endPoint]} {
} elseif {[regexp -nocase -- {\s*Path Group:\s*([\[:blank:\]]+)\s*$} $line
- pathGroup]} {
} elseif {[regexp -nocase -- {\s*Path Type:\s*([\[:blank:\]]+)(\s+\(?|\$)}
$line - pathType]} {
puts [format "%-12s %-12s %-20s -> %-20s" $pathType $pathGroup $startPoint
$endPoint]
}
}
```

An example output from the code is:

```
Path Type Path Group Start Point -> End Point
----->-----
Setup bftClk ingressLoop[0]/ram/CLKBWRCLK -> transformLoop[0].ct/
xOutReg_reg/A[0]
Setup bftClk ingressLoop[0]/ram/CLKBWRCLK -> transformLoop[0].ct/
xOutReg_reg/A[10]
Setup bftClk ingressLoop[0]/ram/CLKBWRCLK -> transformLoop[0].ct/
xOutReg_reg/A[11]
Setup bftClk ingressLoop[0]/ram/CLKBWRCLK -> transformLoop[0].ct/
xOutReg_reg/A[12]
Setup bftClk ingressLoop[0]/ram/CLKBWRCLK -> transformLoop[0].ct/
xOutReg_reg/A[13]
Setup bftClk ingressLoop[0]/ram/CLKBWRCLK -> transformLoop[0].ct/
xOutReg_reg/A[14]
Setup bftClk ingressLoop[0]/ram/CLKBWRCLK -> transformLoop[0].ct/
```

```
xOutReg_reg/A[15]
Setup bftClk ingressLoop[0]/ram/CLKBWRCLK -> transformLoop[0].ct/
xOutReg_reg/A[16]
Setup bftClk ingressLoop[0]/ram/CLKBWRCLK -> transformLoop[0].ct/
xOutReg_reg/A[17]
Setup bftClk ingressLoop[0]/ram/CLKBWRCLK -> transformLoop[0].ct/
xOutReg_reg/A[18]
```

Controlling Loops

Tcl has few built-in commands such as `for`, `foreach` and `while` that are used to loop or iterate through a section of code.

Their syntax is:

```
for <start testCondition next body>
foreach <varname list body>
while <testCondition body>
```

With all the above commands, the entire Tcl script body is executed at each iteration. However, Tcl provides two commands to change the control flow of the loop: `break` and `continue`.

The `break` statement is used to abort the looping command. The `continue` statement is used to jump to the next iteration of the loop.

Note: When running inside a proc, the loop can also be aborted using the `return` command. In this case, not only the loop is aborted but the control goes back to the caller of the proc.

For example, let us suppose that we have a file that contains a list of cell names with the format of one instance name per line. The sample code below reads this file and build a Tcl list that only includes the cell names that currently exist in the design. The code reuses the procedure `get_file_content` that was introduced earlier. If too many cell names are not found inside the current design then the code stops processing the content of the file:

```
set valid_cell_names [list]
set error 0
set max_errors 1000
foreach line [split [get_file_content ./all_cell_names.lst] \n] {
    if {[get_cells $line] == {}} {
        # cell name not found
        puts " Error - cell $line not found "
        incr error
        if {$error > $max_errors} {
            puts " Too many errors occured. Cannot continue "
            break
        } else {
            # Go to next cell name
            continue
        }
    }
}
```

```

    }
  }
  lappend valid_cell_names $line
}
puts " [llength $valid_cell_names] valid cells have been found "

```

Error Handling

Checking Validity of Variables

When developing Tcl scripts, it is recommended to always check for corner cases and for conditions where the code could fail. By doing the proper checks, it is possible to inform the user of issues and/or incorrect usage of the script. If the checks are not correctly performed, then the script could stop without informing the user about what went wrong and therefore what should be corrected.

Example 1: Check when a file is opened for read/write (unsafe version).

```

if {[file exists $filename]} {
    set FH [open $filename r]
    if {$FH != {}} {
        # The file is opened, do something
        #
        close $FH
    } else {
        puts " File $filename could not be opened"
    }
} else {
    puts " File $filename does not exist"
}

```

Although the above script seems algorithmically correct, it would not work properly as the `open` command generates a low-level Tcl error (`TCL_ERROR`) that would stop the execution of the script in the event the file could not be opened. Later, in Example 3 we will see how this script can be improved.

Example 2: Check that the Vivado objects are valid after using the `get_*` commands.

```

proc get_pin_dir { pinName } {
    if {$pinName == {}} {
        puts " Error - no pin name provided"
        return {}
    }
    set pin [get_pins $pinName]
    if {$pin == {}} {
        puts " Error - pin $pinName does not exist"
        return {}
    }
    set direction [get_property DIRECTION $pin]
    return $direction
}

```

It is especially important to check that Vivado objects do exist after using the `get_*` commands when those objects are used inside other commands (`filter`, `get_*`,).

Handling Tcl Errors

Some built-in Tcl commands (but also user procs) can generate a Tcl error (TCL_ERROR) that can stop the execution of the script if the error is not caught by the program. An example is the `file` command that generates a TCL_ERROR when the file cannot be opened.

To do safe programming and catch the TCL_ERROR condition, Tcl has a built-in `catch` command that returns 1 when an error is caught and otherwise returns 0. The `catch` command can be used on a single command or a set of commands.

The basic syntax of the `catch` command is:

```
catch script [varname]
```

Where the `script` is a single or a set of Tcl commands and `varname` is a variable name in which the message explaining the TCL_ERROR is saved.

Note: The `varname` argument is optional.

The `catch` command is often used as illustrated below:

```
If {[catch script errorstring]} {
    # A low-level TCL_ERROR happened
    puts " Error - $errorstring "
} else {
    # No TCL_ERROR was generated
    puts " The code completed successfully "
}
```

Example 1 can be made safer using the `catch` command to cover the case where the file cannot be opened:

Example 3: Check when a file is opened for read/write (safe version).

```
if {[file exists $filename]} {
    if {[catch { set FH [open $filename r] } errorstring]} {
        puts " File $filename could not be opened : $errorstring"
    } else {
        # The file is opened, do something
        #
        close $FH
    }
} else {
    puts " File $filename does not exist"
}
```

A Tcl error can also be user generated using the `error` command. This can be used, for example, to propagate a `TCL_ERROR` that is caught with the `catch` command to the upper level (bubbling). However, the `error` command can be used as well to generate a `TCL_ERROR` when, for example, a corner case is not supported by the script or an unexpected condition has happened in the code.

For example, the proc below returns the file content or generates a `TCL_ERROR` when the file cannot be opened:

```
proc get_file_content { filename } {
    if {[catch {
        set FH [open $filename r]
        set content [read $FH]
        close $FH
    } errorstring]} {
        error " File $filename could not be opened : $errorstring "
    }
    return $content
}
```

The proc `get_file_content` can be called through a `catch` command to catch the potential error:

```
if {[catch { set content [get_file_content ./myreport.rpt] } errorstring]} {
    puts " The following error was generated: $errorstring "
} else {
    puts " The content of the file is: $content "
}
```

Example 2 can also be improved to generate a `TCL_ERROR` when a wrong condition occurs as shown in Example 4:

Example 4: Check that the Vivado objects are valid. Generate a `TCL_ERROR` otherwise (revised).

```
proc get_pin_dir { pinName } {
    if {$pinName == {}} {
        error " Error - no pin name provided"
    }
    set pin [get_pins $pinName]
    if {$pin == {}} {
        error " Error - pin $pinName does not exist"
    }
    set direction [get_property DIRECTION $pin]
    return $direction
}
```

Accessing Environment Variables

Tcl provides a convenient way to access the environment variables in a read-only mode through the Tcl global variable `env`. The variable `env` is a Tcl array that is automatically created and initialized at startup inside the Tcl interpreter.

Note: After initialization, any change to the `env` variable is not applied to the environment outside of the Tcl interpreter. Similarly, any change to your environment variables done after starting the Tcl interpreter will not be reflected by the `env` variable.

The keys of the `env` array are the environment variables at the time Vivado Design Suite starts. The keys are case sensitive.

For example:

```
Vivado% puts "The PATH variable is $env(PATH) "
```

To get the list of all the Unix environment variables:

```
Vivado%: set all_env_var [array names env]
```

It is possible to check if an environment variable exists (i.e a key to `env` array exists) by using the `info` command. For example to check for `MYVARIABLE`:

```
Vivado% if {[info exists env(MYVARIABLE)]} { }
```

The `env` array is a global variable and can therefore be referenced inside a proc after being declared as global.

For example:

```
proc print_env {} {  
    global env  
    puts " UNIX Environment:"  
    foreach var [lsort [array names env]] {  
        puts " $var : $env($var)"  
    }  
}
```

Calling External Programs

It is possible to call external programs from within Tcl and capture the returned result. Although there is an automated mechanism to send unknown Tcl commands to the OS (Windows/Linux) for execution, it is always recommended to be explicit when calling external programs or commands. This is done using the `exec` command.

It is important to use the `exec` command for consistency of results, to make sure that the script works under every host OS (Windows or Linux) and all Vivado modes (Tcl mode, GUI, or batch mode).

The following example (Linux) gets the list of all files and directories under the `run` directory by calling the `ls` command.

```
vivado% set result [exec ls]
vivado% foreach element [split $result \n] { ... }
```

The equivalent example on Windows is shown below.

```
vivado% set result [exec cmd /c dir /B]
vivado% foreach element [split $result \n] { ... }
```

It is not recommended to call the `ls` command without `exec` as the script could fail in some of the Vivado modes (see [Vivado Integrated Design Environment \(IDE\)/Tcl Modes versus Batch Mode](#)).

The next example executes a Perl script and sends the result to the Tcl environment. Note that the `exec` command calls `/bin/perl` (assuming it matches your environment), which in turn calls the Perl script itself:

```
vivado% set result [exec /bin/perl <path_to>/my_perl_script.pl]
```

Vivado Integrated Design Environment (IDE)/Tcl Modes versus Batch Mode

The Tcl console that runs under the Vivado Integrated Design Environment (IDE) or Tcl mode (`vivado -mode tcl` or `vivado -mode gui`) is slightly different from the one that runs under the batch mode (`vivado -mode batch`).

This behavior is inherent to Tcl and is not related to the Vivado tool. Literature can be found on the web that explains the underlying reasons.

But the consequence is that during an interactive session (Tcl or GUI modes), Vivado runs under `tclsh` mode. However, in batch mode, Vivado runs in Tcl script mode.

Although in all three modes (Tcl, GUI and batch) the Tcl console behaves mostly the same, the Tcl environment is slightly different. One difference is that in batch mode, the unknown commands are not sent to the OS for execution. To make sure that a script will work under all the three Vivado modes, it is recommended to explicitly use the `exec` command to execute external programs.

Creating Custom Design Rules Checks (DRCs)

The Vivado Design Suite lets you define and use custom design rule checks (DRCs) written in Tcl. When creating custom DRCs be aware of the following:

- The basis of creating a custom DRC is a Tcl checker procedure that gets design objects of interest, or attributes of those design objects, and a checking function that defines the design rule. The Tcl checker procedure is defined in a separate Tcl script that must be loaded into the Vivado Design Suite prior to running `report_drc`. Inside of the Tcl checker procedure, the `create_drc_violation` command is used to identify and flag violations when checking the rule against a design. The `create_drc_violation` command creates a violation object within the in-memory design, with properties that can be reported and further processed in the Vivado Design Suite.
- The Tcl checker procedure is associated to a user-defined DRC that is created using the `create_drc_check` command. Call this rule by name when you run the `report_drc` command.
- Optionally, you can elect to create a DRC rule deck by using the `create_drc_ruledeck` command. A DRC rule deck is a collection of DRCs. A mix of both user-created and predefined DRCs can be added to the user-created DRC rule deck by using the `add_drc_checks` command.
- Checking the design against the design rules is performed by running the `report_drc` command. When running `report_drc`, you can specify to run either a DRC rule deck, user-defined design rule checks, or predefined DRCs.

Creating a Tcl Checker Procedure

The Tcl checker procedure selects the design objects of interest to be checked. It then performs the necessary tests or evaluations of the design objects, and finally returns the results in the form of DRC violation objects that identify the objects associated with the specific error.

The following Tcl script defines the `dataWidthCheck` Tcl checker procedure which checks the width of the `WRITE_B` bus. This Tcl script file must be loaded into the Vivado tools prior to running the `report_drc` command. Refer to [Loading and Running Tcl Scripts](#) for more information on loading the Tcl checker procedure.

```
# This is a simplistic check -- report BRAM cells with WRITE_WIDTH_B wider
than 36.
proc dataWidthCheck {} {
  # list to hold violations
  set vios {}
  # iterate through the objects to be checked
  foreach bram [get_cells -hier -filter {PRIMITIVE_SUBGROUP == bram}] {
    set bwidth [get_property WRITE_WIDTH_B $bram]
    if { $bwidth > 36 } {
      # define the message to report when violations are found
      set msg "On cell %ELG, WRITE_WIDTH_B is $bwidth"
    }
  }
}
```

```

        set vio [ create_drc_violation -name {RAMW-1} -msg $msg $bram ]
        lappend vios $vio
    }; # End IF
}; # End FOR
if {[llength $vios] > 0} {
    return -code error $vios
} else {
    return {}
}
}; # End IF
} : # End PROC
    
```

As you can see from the `proc` definition, the `dataWidthCheck` procedure accepts no arguments and can find everything it needs from the design. It creates an empty list variable, `$vios`, to store the violation objects returned by the `create_drc_violation` command.

The `dataWidthCheck` procedure iterates through all of the BRAMs in the design, and performs an evaluation of the `WRITE_WIDTH_B` property on each of those cells. If the `WRITE_WIDTH_B` of the block RAM cell exceeds a width of 36, a DRC violation is created with a specific message, `$msg`. The message contains a placeholder for the cell `%ELG` and the width of the bus found, `$bwidth`. In the `dataWidthCheck` procedure, the `create_drc_violation` command only returns one object, `$bram`, that maps to the `%ELG` placeholder defined in the message string. The `create_drc_violation` command supports messaging placeholders for netlist objects, clock regions, device sites, and package I/O banks by using their respective keys `%ELG`, `%CRG`, `%SIG`, and `%PBG`.



IMPORTANT! Both the order and the type of objects passed by `create_drc_violation` must match the `-msg` specification in the `create_drc_check` command, or the expected substitution will not occur.

A violation object is created using the `create_drc_violation` each time the tested block RAM exceeds the allowable width of the `WRITE_WIDTH_B` property. The violation object is given the same name as the associated DRC rule in the Vivado Design Suite. It includes the previously defined messaging string, and identifies the specific object or objects that are involved in violation of the rule. The standard object that the design rule violation can return includes cells, ports, pins, nets, clock regions, device sites, and package I/O banks. The message string from the violation can also pass other information, such as the value of a specific property, in order to provide as much detail in the DRC report as needed.

If any violations are found, the `dataWidthCheck` proc returns an error code to inform the `report_drc` command of the results of that specific check:

```

return -code error $vios
    
```

In addition to the error code, the violation objects are returned with the `$vios` variable, which stores a list of violation objects created by the procedure.

Creating a DRC Check

Once the Tcl checker procedure is defined, you must now define the DRC as part of the DRC reporting system within the Vivado Design Suite.

First, you must register the new design rule using the `create_drc_check` command. This command requires you to provide a unique name for the user-defined rule check. This name that must match the name given to the violation created by the Tcl checker procedure. You will need to specify this unique name when adding the check to DRC rule decks or when running `report_drc`. In the `dataWidthCheck` Tcl checker procedure above, the `create_drc_violation` command uses the name `RAMW-1`. In addition, the `create_drc_check` command requires you to provide the procedure name of the Tcl checker procedure to be run when the rule is checked. In this case above, the Tcl checker procedure `dataWidthCheck` is provided as the `-rule_body` argument and must be loaded into the Vivado Design Suite prior to running the `report_drc` command.

```
create_drc_check -name {RAMW-1} -hiername {RAMB Checks} \  
  -desc {Block RAM Data Width Check} -rule_body dataWidthCheck -severity  
  Advisory
```

You can optionally group the DRC into a special category, provide a description of the rule for reporting purposes, and assign a severity.

You can define a message to add to the DRC report when violations are encountered. By default, the message created by the `create_drc_violation` command in the Tcl checker procedure is passed upward to the DRC object. In this case, any message defined by `create_drc_violation` is simply passed through to the DRC report.

The DRC object features the `is_enabled` property that can be set to `TRUE` or `FALSE` using the `set_property` command. When a new rule check is created, the `is_enabled` property is set to `TRUE` as a default. Set the `is_enabled` property to `FALSE` to disable the DRC from being used when `report_drc` is run.

Creating a DRC Rule Deck

You can optionally group multiple related DRC checks that can be run together into a DRC rule deck. To do this, you must first create the DRC rule deck by using the `create_drc_ruledeck` command. Once the DRC rule deck is created, DRCs can be added and removed from the DRC rule deck by using the `add_drc_checks` and `remove_drc_checks` commands. Mixing user-defined checks and predefined checks into a single DRC rule deck is allowed in the Vivado Design Suite. Below is an example of creating a DRC rule deck called `myrules` along with the addition and removal of DRCs from the DRC rule deck.

```
create_drc_ruledeck myrules  
add_drc_checks -ruledeck myrules {RAMW-1 RAMW-2 RAMW-3}  
remove_drc_checks {RAMW-2} -ruledeck myrules
```

Note: If the `is_enabled` property of the DRC is set to `FALSE`, then the DRC will not be run as part of the DRC rule deck when running `report_drc`. In some cases, it might be more desirable to disable the DRC than to remove it from the DRC rule deck.

Reporting Custom DRCs

A user-defined DRC can be run individually, with other rules, or as part of a DRC rule deck using the `report_drc` command. Below are examples of running the previously defined `RAMW-1` rule individually, with other rules, and as part of the previously created DRC rule deck.

```
report_drc -check {RAMW-1}
report_drc -check {RAMW-1 RAMW-2}
report_drc -ruledecks myrules
```

Remember that the `is_enabled` property of the rule check must be set to `TRUE` in order for `report_drc` to run the check.

DRC Explanation Script

There are times when the designer has a DRC rule name or a pattern of DRC rules and wants to get an explanation about what these rules are doing. This can be done by reporting properties on the DRC objects.

The example script below takes as input a pattern matching a set of DRC rule(s) and prints some explanation (severity and description) for each rule. If the pattern does not match any rule then an error message is issued.

```
proc explain_drc { drcs } {
    package require struct::matrix
    set loop_drcs [get_drc_checks $drcs -quiet]
    if {$loop_drcs == {}} {
        puts " Error: $drcs does not match any existing DRC rule"
        return
    }
    struct::matrix drcsm
    drcsm add columns 3
    drcsm add row {DRC_ID SEVERITY DESCRIPTION}
    foreach drc $loop_drcs {
        set description "\[get_property DESCRIPTION [get_drc_checks $drc]]\"
        set severity "\[get_property SEVERITY [get_drc_checks $drc]]\"
        set key "\[get_property NAME [get_drc_checks $drc]]\"
        drcsm add row "$key $severity $description"
    }
    puts "[drcsm format 2chan]";
    drcsm destroy
}
```

There are a number of Tcl packages embedded inside Vivado and this example script uses the `struct::matrix` package to format the summary table.

The following are some sample outputs from the `explain_drc` proc:

```
Vivado% explain_drc CFGBVS-1
DRC_ID SEVERITY DESCRIPTION
CFGBVS-1 Warning Missing CFGBVS and CONFIG_VOLTAGE Design Properties
Vivado% explain_drc CFGBVS-*
DRC_ID SEVERITY DESCRIPTION
CFGBVS-1 Warning Missing CFGBVS and CONFIG_VOLTAGE Design Properties
CFGBVS-2 Critical Warning CFGBVS Design Property
CFGBVS-3 Warning CONFIG_VOLTAGE Design Property
CFGBVS-4 Critical Warning CFGBVS and CONFIG_VOLTAGE Design Properties
CFGBVS-5 Critical Warning CONFIG_VOLTAGE Design Property
CFGBVS-6 Critical Warning CONFIG_VOLTAGE with HP Config Banks
CFGBVS-7 Warning CONFIG_VOLTAGE with Config Bank VCCO
Vivado% explain_drc foo
Error: foo does not match any existing DRC rule
```

Manipulating DRCs

DRCs are just like other objects in Tcl and their properties can be changed. Use the following command to list the properties of a DRC Object.

```
Vivado% report_property [get_drc_checks RAMW-1]
Property      Type      Read-only Visible Value
ARCHITECTURES string* true      true
CLASS         string true      true drc_check
DESCRIPTION   string true      true Block RAM Data Width Check
GROUP        string true      true RAMW
HIERNAME      string true      true RAMB Checks
IS_ENABLED    bool false true 1
IS_USER_DEFINED bool true true 1
MESSAGE       string true      true
MSG_ID        int true true 1
NAME          string true true RAMW-1
SEVERITY      enum false true Advisory
```

Note: There are two properties of the RAMW-1 DRC check that you can modify. Those are the `IS_ENABLED` property and the `SEVERITY` property. Change the values of these properties on the DRC Check object by using the `set_property` command, just like any other object.

To disable the RAMW-1 DRC check, issue the Tcl command:

```
Vivado% set_property IS_ENABLED false [get_drc_checks RAMW-1]
```

To increase the severity of the RAMW-1 DRC Check, issue the Tcl command:

```
Vivado% set_property SEVERITY {Critical Warning} [get_drc_checks RAMW-1]
```

These properties can also be changed on built-in DRC rules. In order to reset the built-in DRC rules to factor defaults, use the following Tcl command:

```
Vivado% reset_drc_check [get_drc_checks]
```



CAUTION! Although Vivado allows you to disable and downgrade the severity of the built-in DRC Objects, this practice is highly discouraged as it can cause unpredictable results and could potentially cause permanent damage to the device.

For more information on Running DRCs, see the *Vivado Design Suite User Guide: System-Level Design Entry* ([UG895](#)).

Custom GUI Buttons

In GUI mode, custom buttons can be added to the main toolbar. These buttons can be linked to a Vivado command or user proc and can be defined with or without arguments. Dedicated icons can also be used for the custom buttons. If a button defines arguments, a simple widget opens up when the button is activated by the user.

Any change to the custom buttons is automatically saved on-disk inside the user area for the Vivado tools version that is modified. These changes are reflected in subsequent calls of the same Vivado tools version. Custom buttons do not need to be re-defined every time Vivado Design Suite is started.

There are two ways to define a custom button:

- Through the GUI: **Tools** → **Custom Commands** → **Customize Commands**.
- Programmatically through a Tcl API.

The following table lists commands of the Tcl API to create or delete custom GUI buttons.

Table 2: Tcl APIs for Custom GUI buttons

Tcl API	Description
<code>create_gui_custom_command</code>	Create a custom GUI button
<code>remove_gui_custom_commands</code>	Remove a custom GUI button
<code>get_gui_custom_commands</code>	Get the list of custom GUI buttons
<code>create_gui_custom_command_arg</code>	Create an argument for an existing custom GUI button
<code>remove_gui_custom_command_arg</code>	Remove an argument for an existing custom GUI button
<code>get_gui_custom_command_arg</code>	Get the list of arguments for an existing custom GUI button

A custom button can be defined with or without one or more arguments. After the custom button has been created using `create_gui_custom_command`, each argument must be added with `create_gui_custom_command_arg`.

When a custom button is removed, Vivado Design Suite automatically removes all its arguments. There is no need to manually remove the arguments.

Create a Custom GUI Button

A custom button is created using the `create_gui_custom_command` command.

The syntax is:

```
create_gui_custom_command -name <arg> [-menu_name <arg>] [-description
<arg>]
                                [-show_on_toolbar] [-run_proc <arg>]
                                [-toolbar_icon <arg>] [-command <arg>]
                                [-tcl_file <arg>] [-quiet] [-verbose]
```

Usage:

Name	Description
-name	Unique name of the command to create.
[-menu_name]	Menu name for the custom command.
[-description]	Display this text for the description of the menu item and optionally the toolbar button
[-show_on_toolbar]	Add this command to the toolbar
[-run_proc]	Needed when '-command' and 'tcl_file' options are both specified. If true, gui button will run command mentioned in '-command' option otherwise source script mentioned in '-tcl_file' option
[-toolbar_icon]	The full path to the PNG or JPEG file to display on the toolbar button
[-command]	The command to execute
[-tcl_file]	The full path to the Tcl file to source
[-quiet]	Ignore command errors
[-verbose]	Suspend message limits during command execution

The name specified using `-name` must be unique among all the custom buttons and should not contain any spaces. This name is used to add arguments to the button.

Example 1: Create a custom button calling the proc, myProc:

```
create_gui_custom_command -name "myButton" \
    -menu_name "Do something" \
    -command "myProc" \
    -show_on_toolbar \
    -run_proc true
```

Example 2: Create a custom button to print inside the Tcl console the clock(s) propagating through the selected object(s):

```
create_gui_custom_command -name "getClock" \
    -menu_name "get_clock" \
    -command {get_clocks -of [get_selected_objects]} \
    -description {This button returns the clocks going through the selected objects} \
    -show_on_toolbar
```

Remove a Custom GUI Button

A custom button can be removed either directly from the GUI or using the `remove_gui_custom_command` command.

The syntax is:

```
remove_gui_custom_commands [-quiet] [-verbose] <names>...
Usage:
  Name      Description
  -----
  [-quiet]  Ignore command errors
  [-verbose] Suspend message limits during command execution
  <names>   name of one or more custom commands to remove
```

The name that must be specified is the name defined using `create_gui_custom_command -name`.

The custom buttons defined in [Create a Custom GUI Button](#) and [Create a Custom GUI Button](#) can be removed using the following commands:

```
remove_gui_custom_command myButton
remove_gui_custom_command getClock
```

Add Arguments to a Custom Button

A custom button can have one or more arguments. Arguments are optional. After an argument is specified, a widget opens when the button is activated by the user. Arguments are defined with the command `create_gui_custom_command_arg`.

The syntax is:

```
create_gui_custom_command_arg -command_name <arg> -arg_name <arg>
                               [-default <arg>] [-comment <arg>] [-optional]
                               [-quiet] [-verbose]
Usage:
  Name      Description
  -----
  -command_name Unique name of the custom command for which an argument is
                being created.
  -arg_name     Unique name of the custom command argument to create.
  [-default]   Default value of the custom command argument.
  [-comment]   Comment for the custom command argument.
  [-optional]  Make the custom command argument optional.
  [-quiet]     Ignore command errors
  [-verbose]   Suspend message limits during command execution
```

In the example below, three arguments are created for the button, myButton. The last two arguments are optional.

```
create_gui_custom_command -name "myButton" \
  -menu_name "Do something" \
  -command "myProc" \
  -show_on_toolbar \
  -run_proc true
create_gui_custom_command_arg -command_name "myButton" -arg_name
"Top_Module" \
  -default "\[lindex \[find_top\] 0\]"
create_gui_custom_command_arg -command_name "myButton" -arg_name
"Output_Directory"
\
  -default "-output_dir report" -optional
create_gui_custom_command_arg -command_name "myButton" -arg_name "Force" \
  -default "-force" -optional
```

Xilinx Tcl Store

Vivado Design Suite features the Xilinx Tcl Store, a powerful way to deliver and share Tcl code across the Xilinx community. The Xilinx Tcl Store delivers apps (sets of Tcl scripts) and plug-ins that are maintained by the Xilinx community. Any Xilinx user can become a contributor. For further information, refer to the Xilinx Tcl Store Wiki at <https://github.com/Xilinx/XilinxTclStore/wiki/Xilinx-Tcl-Store-Home>.

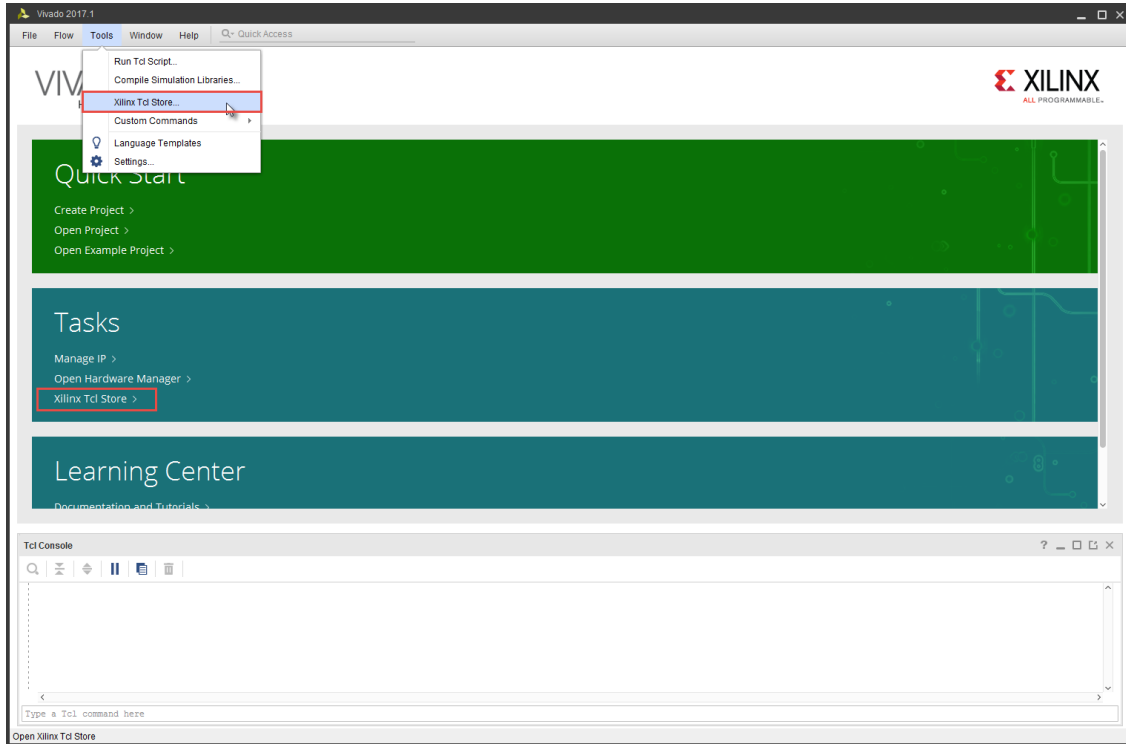
Accessing the Xilinx Tcl Store

The Xilinx Tcl Store saves information related to the Tcl Store inside your \$HOME/.Xilinx (Linux) or %APPDATA%/Xilinx (Windows) area. The information that is saved enables the tool to keep track of the list of apps that are installed by the user on a per Vivado release basis. These directories are also used to cache the apps that have been refreshed and updated from the online Xilinx Tcl Store repository.

Accessing the Tcl Store GUI

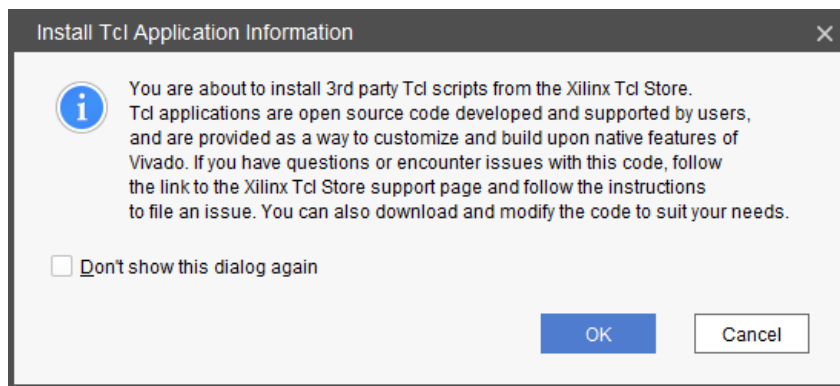
The Xilinx Tcl Store GUI is accessible from the Getting Started page when the tool starts or from the menu bar **Tools** → **Xilinx Tcl Store**.

Figure 11: Accessing Xilinx Tcl Store



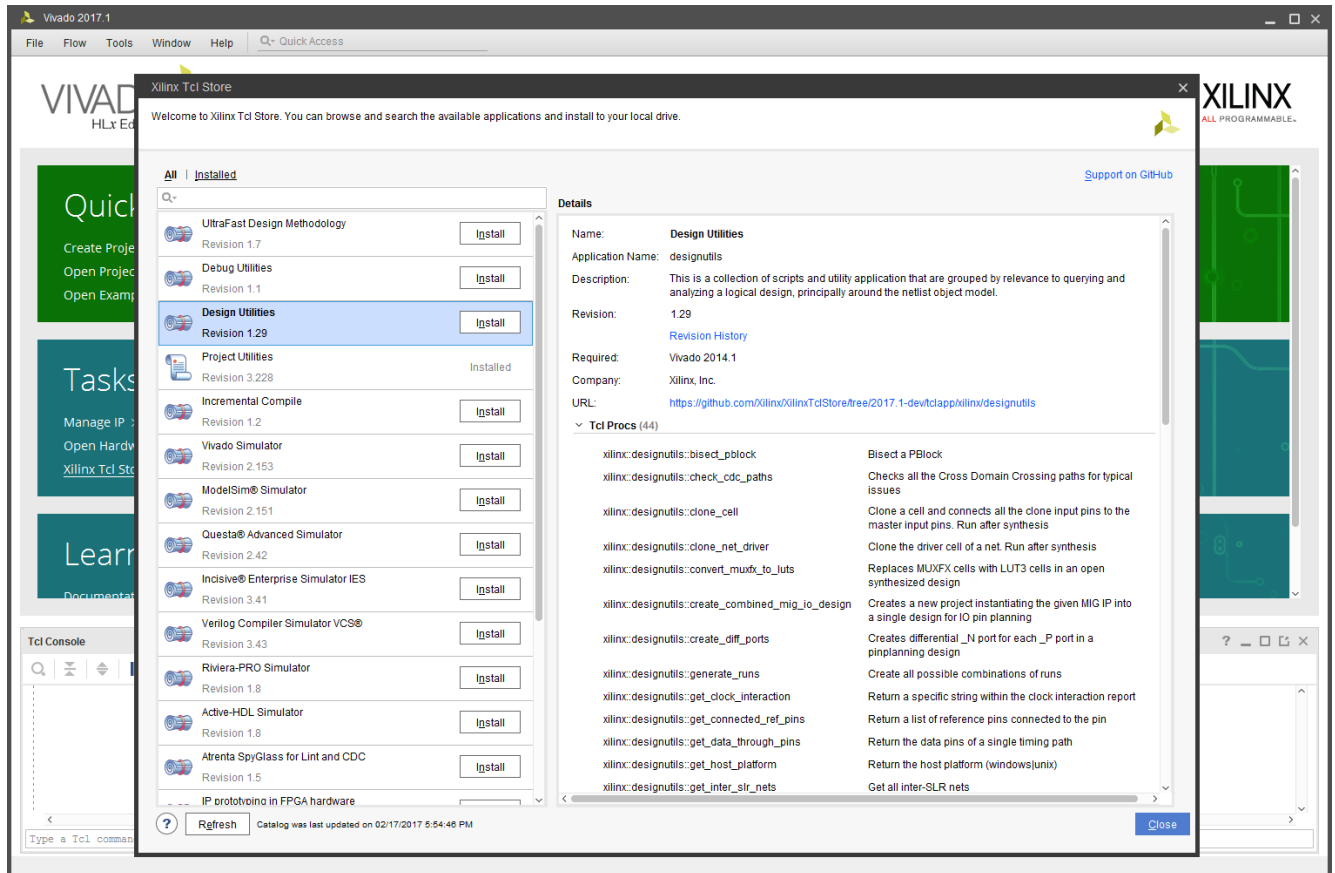
Note: The first time you open the Xilinx Tcl Store GUI, a disclaimer window displays the terms of usage of the Xilinx Tcl Store.

Figure 12: Xilinx Tcl Store GUI Disclaimer



The Tcl Store GUI is divided into two panels.

Figure 13: Xilinx Tcl Store GUI



The left panel shows the available apps. The right panel provides information on the app selected in the left panel. The detailed information for each app includes the following:

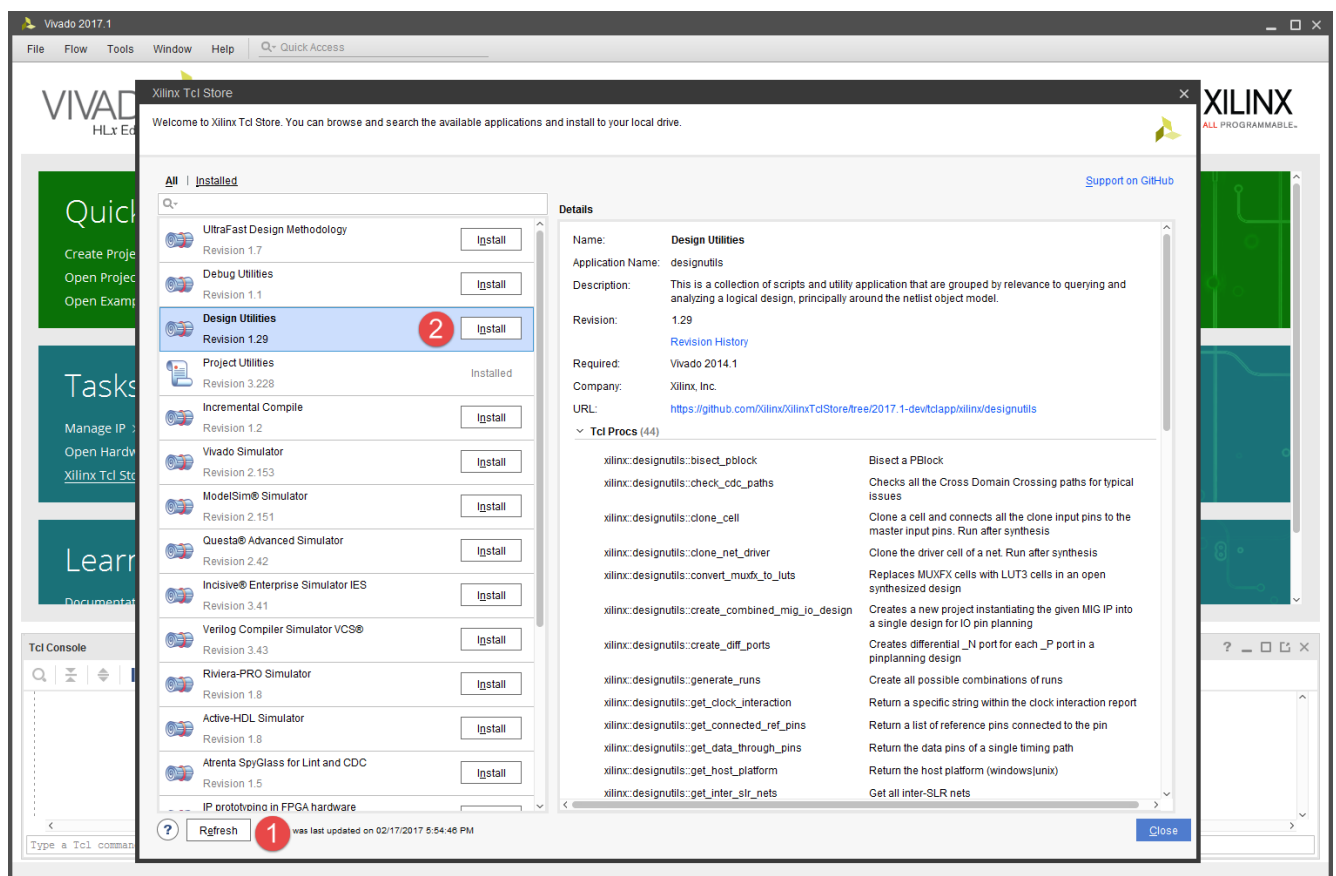
- **Name:** Name of the app.
- **Description:** A short description of the app.
- **Revision:** The app revision number.
- **Required:** The minimum required Vivado release version for the app to work (Vivado 2014.1 in [Accessing the Tcl Store GUI](#)).
- **Company:** The company name providing and maintaining the app.
- **URL:** A hyperlink to the app page under GitHub. The code for the various procs can be accessed from there.
- **Tcl Procs:** The list of Tcl procs provided with the app. A short summary is provided for each proc.

Installing an App

To install an app, click the **Install** button on the right side of the app name. Once installed, the procs defined in the app become available for use. The procs are pulled to a specific namespace (built from the app name and company name) and behave like native Vivado built-in commands. The new Tcl commands are automatically registered to the Help infrastructure.

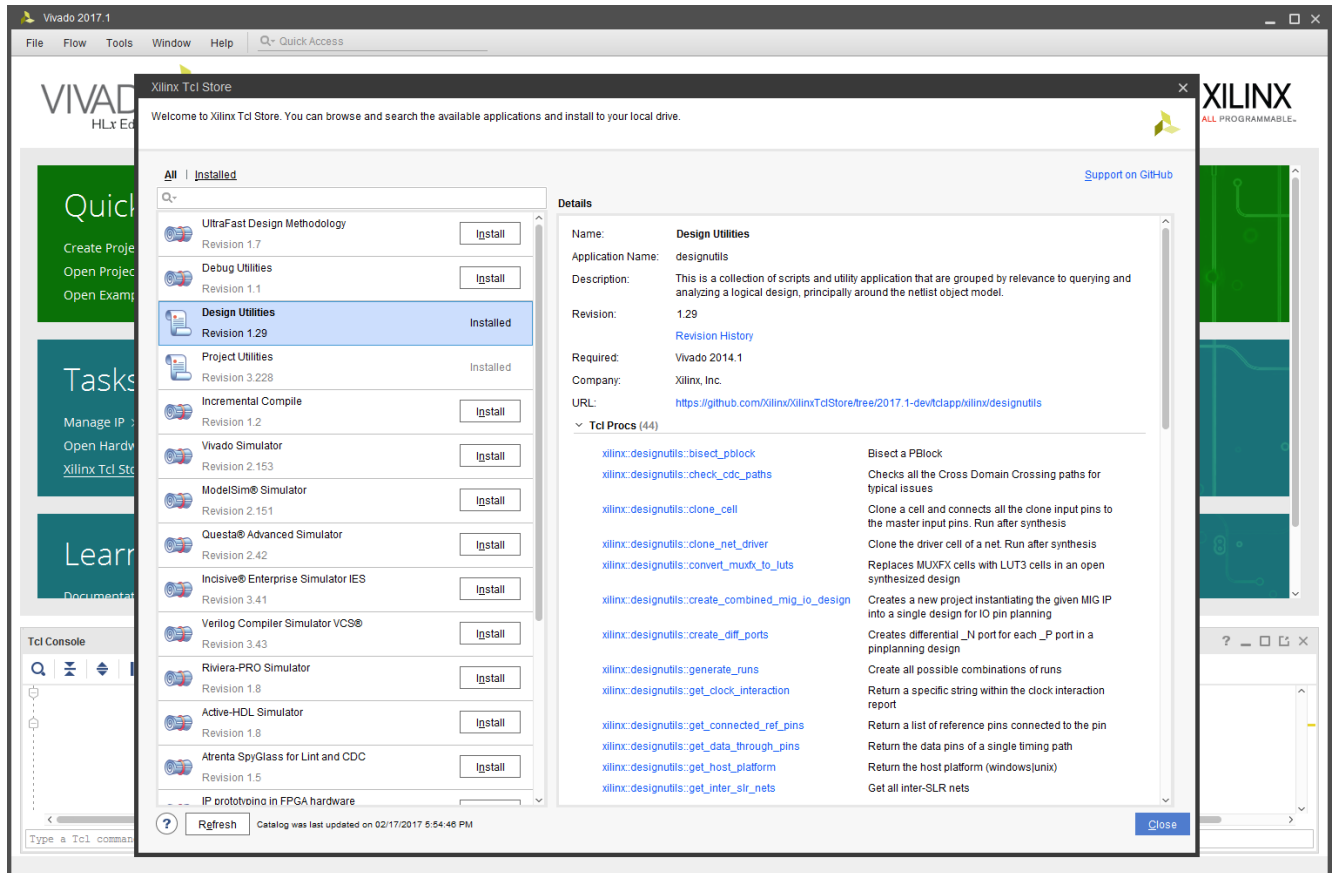
[Installing an App](#) shows the steps. Xilinx recommends that you refresh the catalog (**Refresh** button) before installing an app to make sure that you install the latest version of the app (Step 1). Click **Install** to install the app (Step 2).

Figure 14: Install Button



After the app is installed, the proc names become hyperlinks and the **Install** button is greyed-out. In [Installing an App](#) the designutils app has been installed.

Figure 15: designutils App Installed

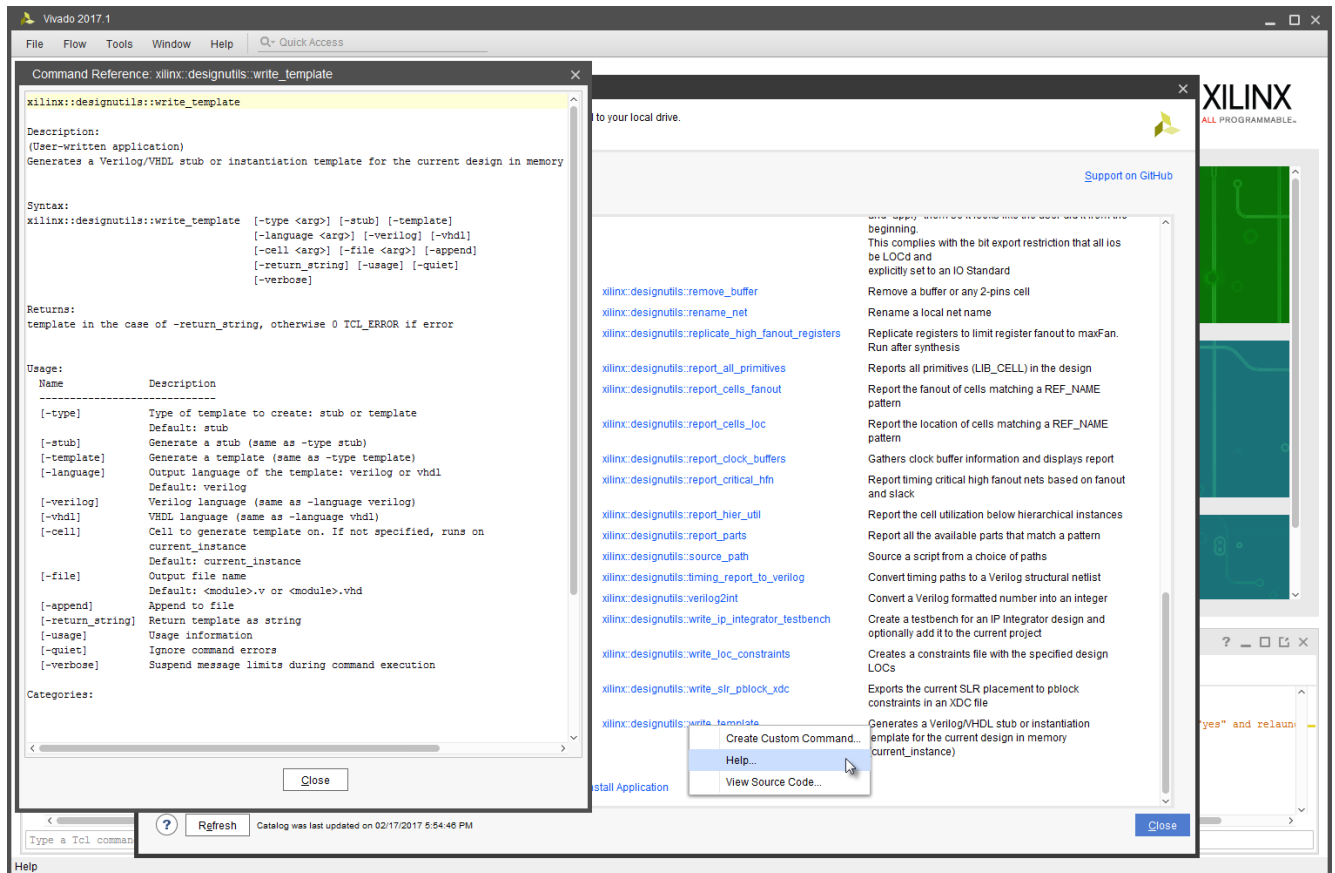


Getting Help from an Installed App

After an app has been installed, additional Help is available on each proc. The detailed Help for a proc can be accessed in three different ways. You can select the hyperlinked proc name to open a dialog box that shows the detailed Help. You can also right-click the proc name to open a context window with a Help menu item. Selecting Help opens the embedded Help information for the selected proc. Finally, the detailed Help can also be accessed from the Tcl console using the full namespace for the proc name along with the `-help` command line option.

The following figure shows the detailed Help for `xilinx::designutils::write_template`.

Figure 16: write_template Help



The same Help text can be printed from the Tcl console with:

```
vivado% xilinx::designutils::write_template -help
```

Note: The full name qualifier for this proc is `xilinx::designutils::write_template` and not just `write_template`.

Accessing Tcl Procs from an Installed App

Once you have installed an app, all the user procs that belong to this app can be accessed from the command line in two different ways:

- From the `::<company>::<app>` namespace. When Vivado IDE starts, a wrapper is automatically created for all the user procs for each installed app.
- From the app full namespace qualifier `::tclapp::<company>::<app>`, namespace in which the user proc has been defined.

For example, after the designutils app has been installed, the user proc, `write_template`, can be accessed with:

```
vivado% ::xilinx::designutils::write_template
vivado% ::tclapp::xilinx::designutils::write_template
```

The benefit of calling the proc from the `::xilinx` namespace over the `::tclapp::xilinx` namespace is that the wrapper that is created by Vivado supports a number of default command line arguments such as `-help`, `-verbose`, and `-quiet`, which are common to all built-in Vivado commands.

For example:

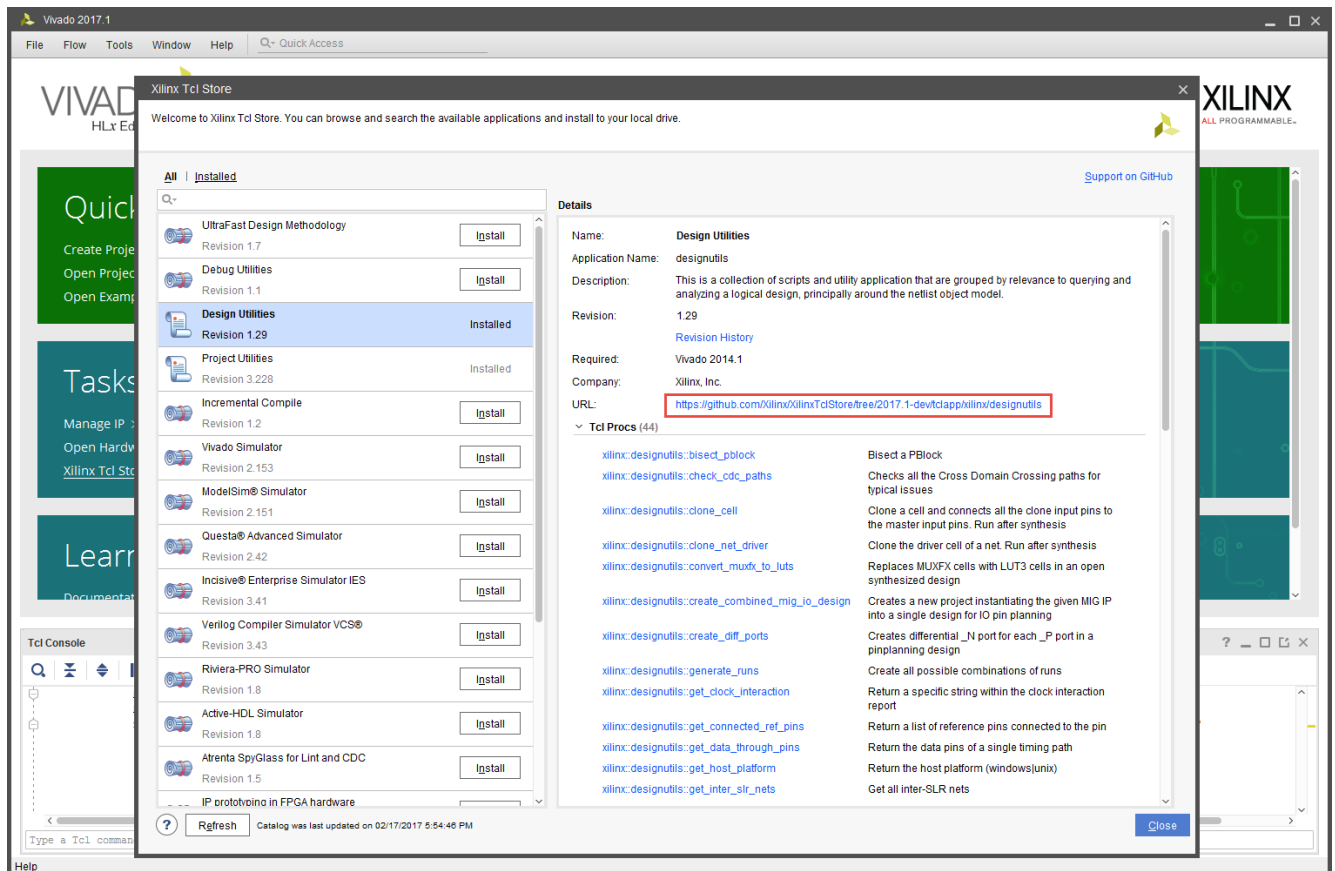
```
Vivado% xilinx::designutils::write_template -help
xilinx::designutils::write_template
Description:
(User-written application)
Generates a Verilog/VHDL stub or instantiation template for the current
design in
memory (current_instance)
Syntax:
xilinx::designutils::write_template [-type <arg>] [-stub] [-template]
                                   [-language <arg>] [-verilog] [-vhdl]
                                   [-cell <arg>] [-file <arg>] [-append]
                                   [-return_string] [-usage] [-quiet]
                                   [-verbose]

Returns:
template in the case of -return_string, otherwise 0 TCL_ERROR if error
Usage:
Name          Description
-----
[-type]       Type of template to create: stub or template
               Default: stub
[-stub]       Generate a stub (same as -type stub)
[-template]   Generate a template (same as -type template)
[-language]   Output language of the template: verilog or vhd1
               Default: verilog
[-verilog]    Verilog language (same as -language verilog)
[-vhdl]       VHDL language (same as -language vhd1)
[-cell]       Cell to generate template on. If not specified, runs on
               current_instance
               Default: current_instance
[-file]       Output file name
               Default: <module>.v or <module>.vhd
[-append]    Append to file
[-return_string] Return template as string
[-usage]     Usage information
[-quiet]     Ignore command errors
[-verbose]   Suspend message limits during command execution
Categories:
Description:
Generates a Verilog/VHDL stub or instantiation template for the
current design
in memory (current_instance).
This command must be run on a synthesized or implemented design.
Example:
::xilinx::designutils::write_template -verilog -return_string
```

Accessing the Source Code

There are two ways to access the source code for an app or a particular proc. The Details pane includes a URL link to GitHub. Clicking this link opens the default browser directly to the app page inside GitHub. The source code of individual procs can be accessed from this page.

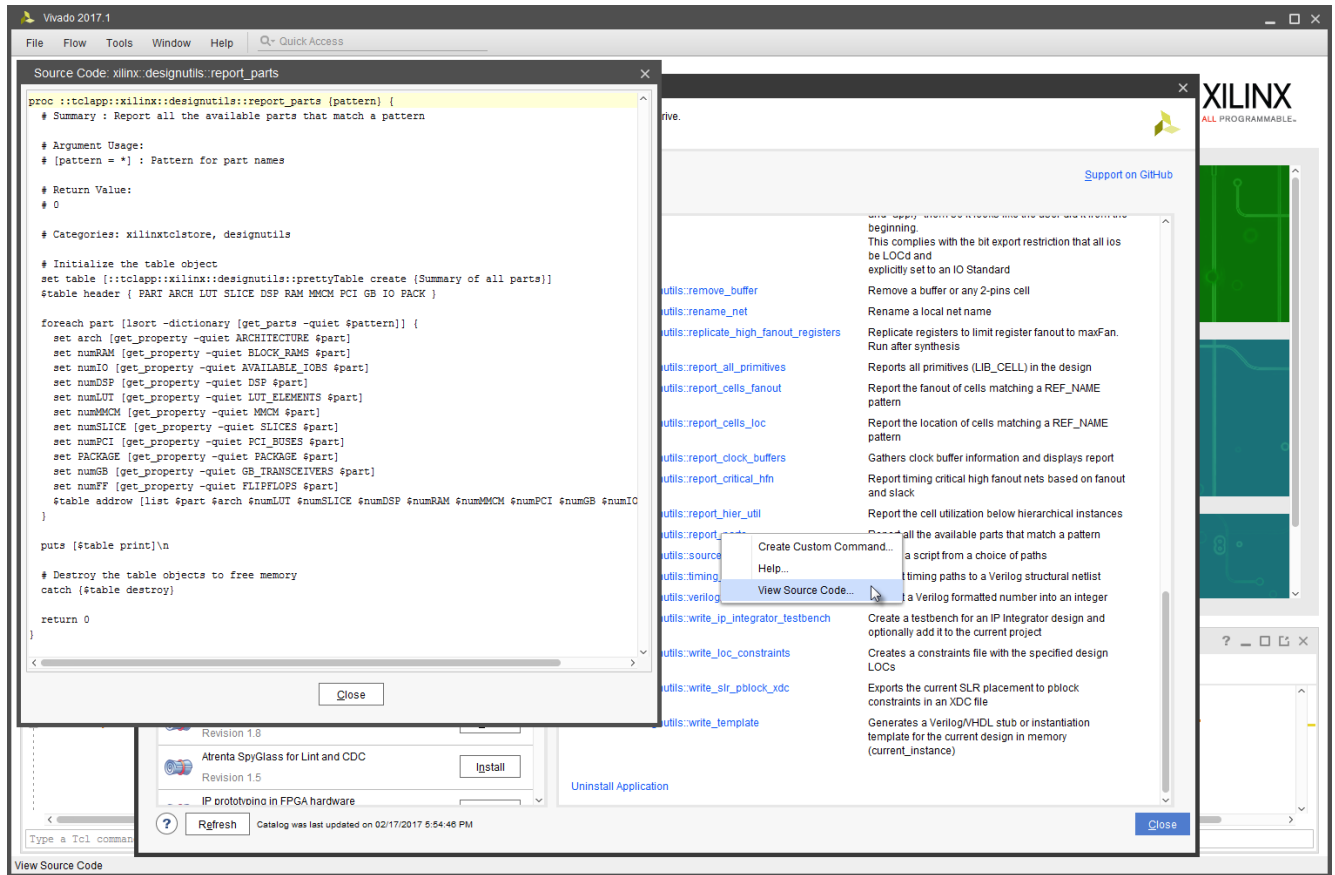
Figure 17: Hyperlink to GitHub App Page



After an app has been installed, the proc names become hyperlinks. To view the source code, click the proc name, and select View Source Code.

Note: The Tcl Store does not track the procs dependencies. Only the content of the selected proc is displayed in the source window, not dependent procs. The full app code can be browsed from GitHub by following the app's URL.

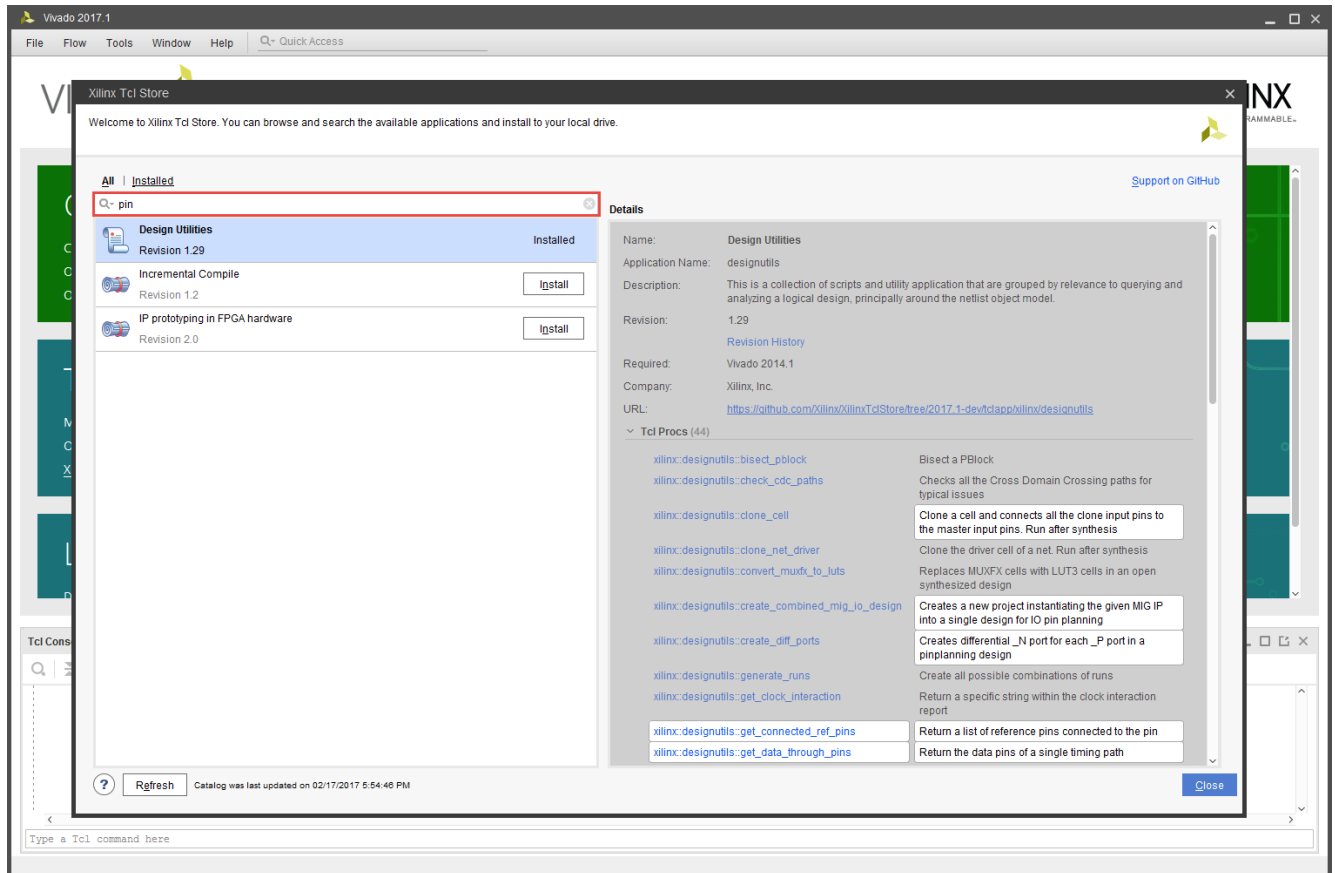
Figure 18: Pro Source Code



Searching the Tcl Store

To search through the Tcl Store, use the embedded search bar located above the list of apps. The search applies on the proc names and proc summaries. The list of apps is reduced to those having one or more matches. After an app is selected, the matching areas are highlighted in white and non-matching ones are grayed out.

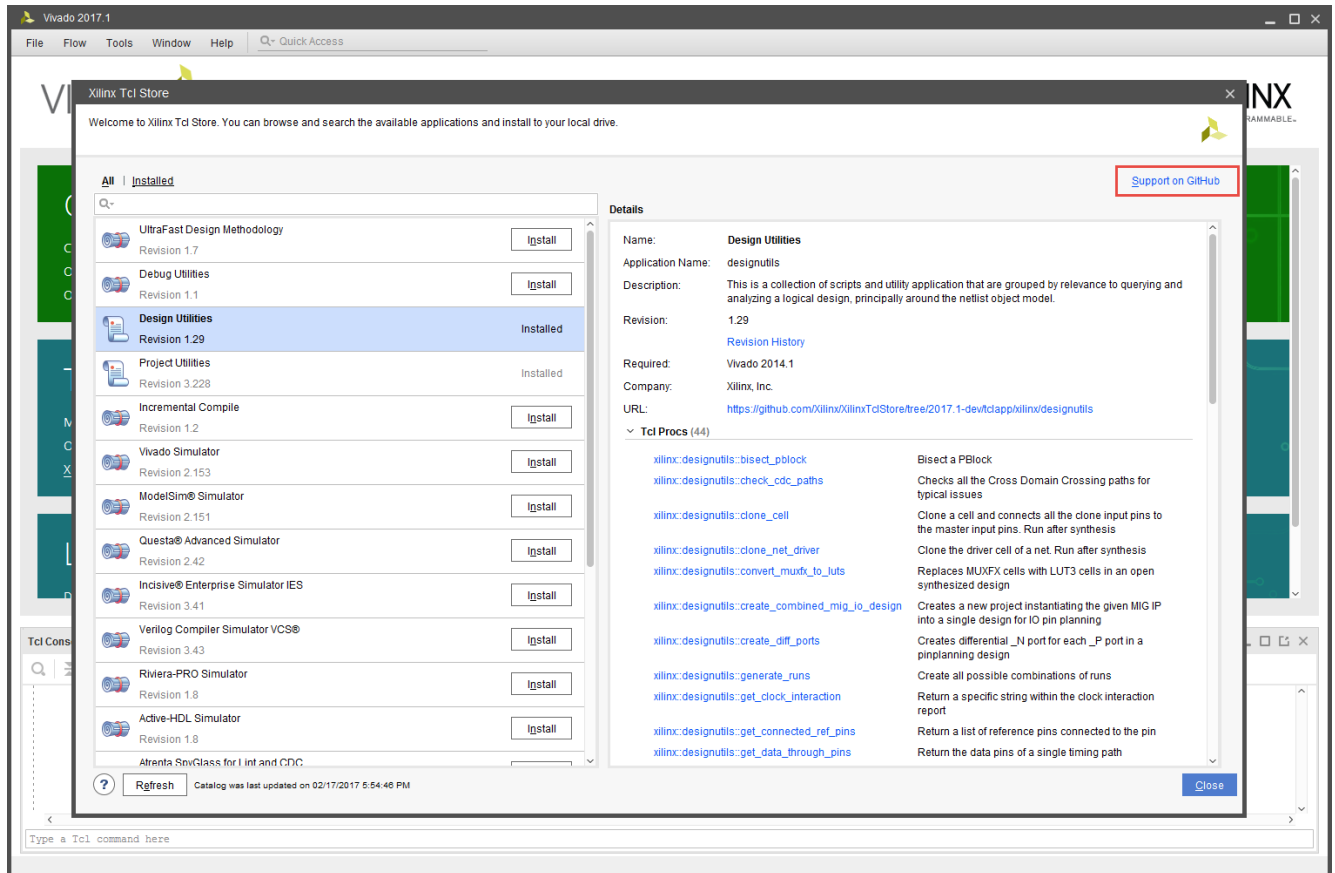
Figure 19: Search Bar



Xilinx Tcl Store Support

To report an issue for a particular app or proc, click the **Support on GitHub** link on the top-right of the Tcl Store GUI. Clicking this link opens the default browser directly to the Tcl Store support page inside GitHub. The GitHub Support page provides additional information for filing an issue.

Figure 20: Hyperlink to GitHub Support Page

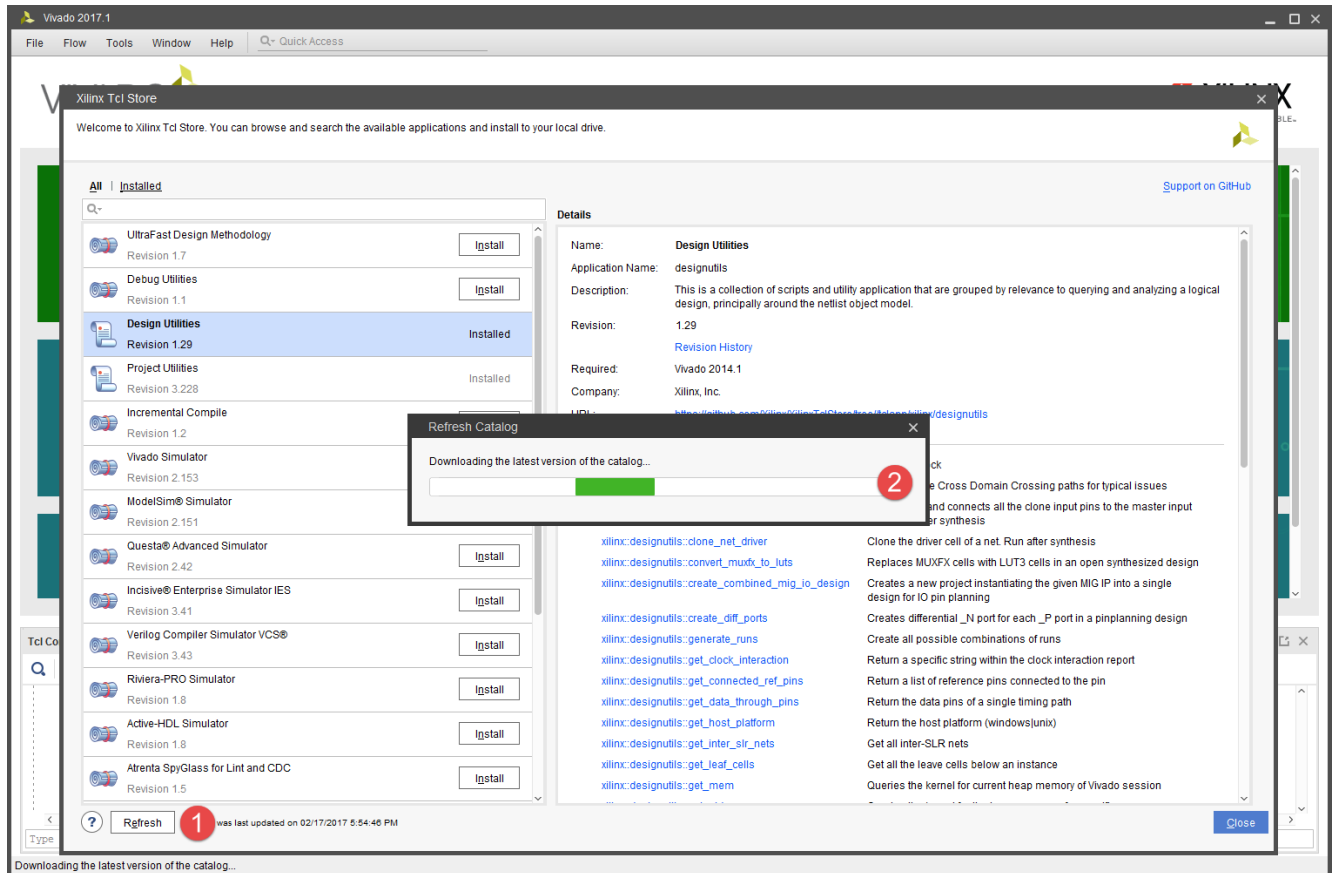


Refreshing the Catalog

Apps are released to Github asynchronous to the Vivado Design Suite releases. Refreshing the catalog provides access to the latest version of an app.

Refresh the catalog by selecting the **Refresh** button at bottom left of the **Xilinx Tcl Store** window (Step 1). This action queries the online git repository for the latest information of all the apps and opens a dialog (Step 2). If an app is then installed, the Tcl Store mechanism automatically downloads any newer content from the online repository.

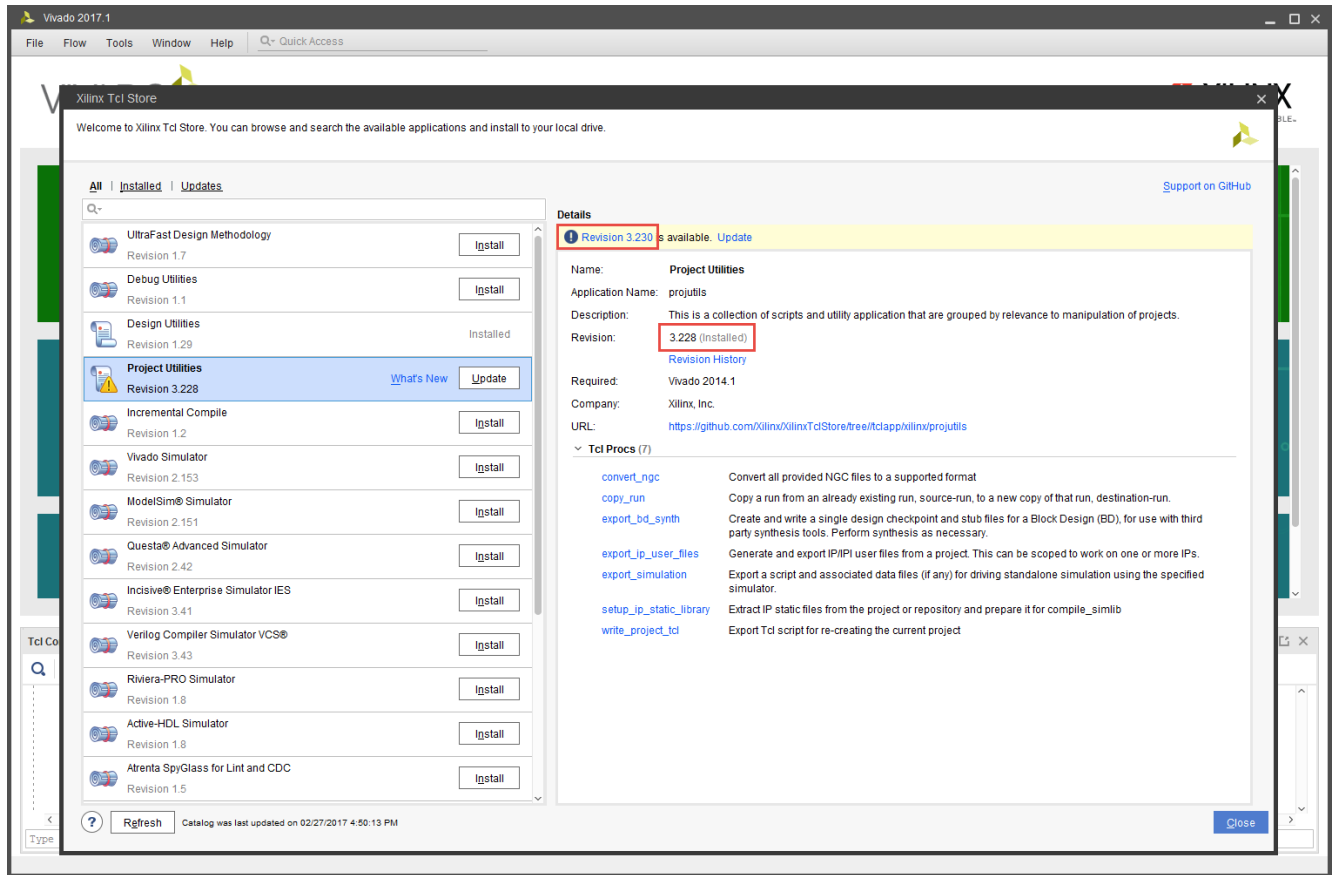
Figure 21: Refreshing the Catalog



Updating an App

After the catalog has been refreshed, the GUI notifies the user of any available updates for the apps from the online repository. In the previous steps, the projutils app version 3.228 is installed. After refreshing the catalog, a **What's New** hyperlink appears to notify you that a newer version is available. If you select the **What's New** hyperlink, a notification dialog opens to confirm the newest version available for the app, which is 3.230 in the Updating an App figure below.

Figure 22: Confirming the App Version

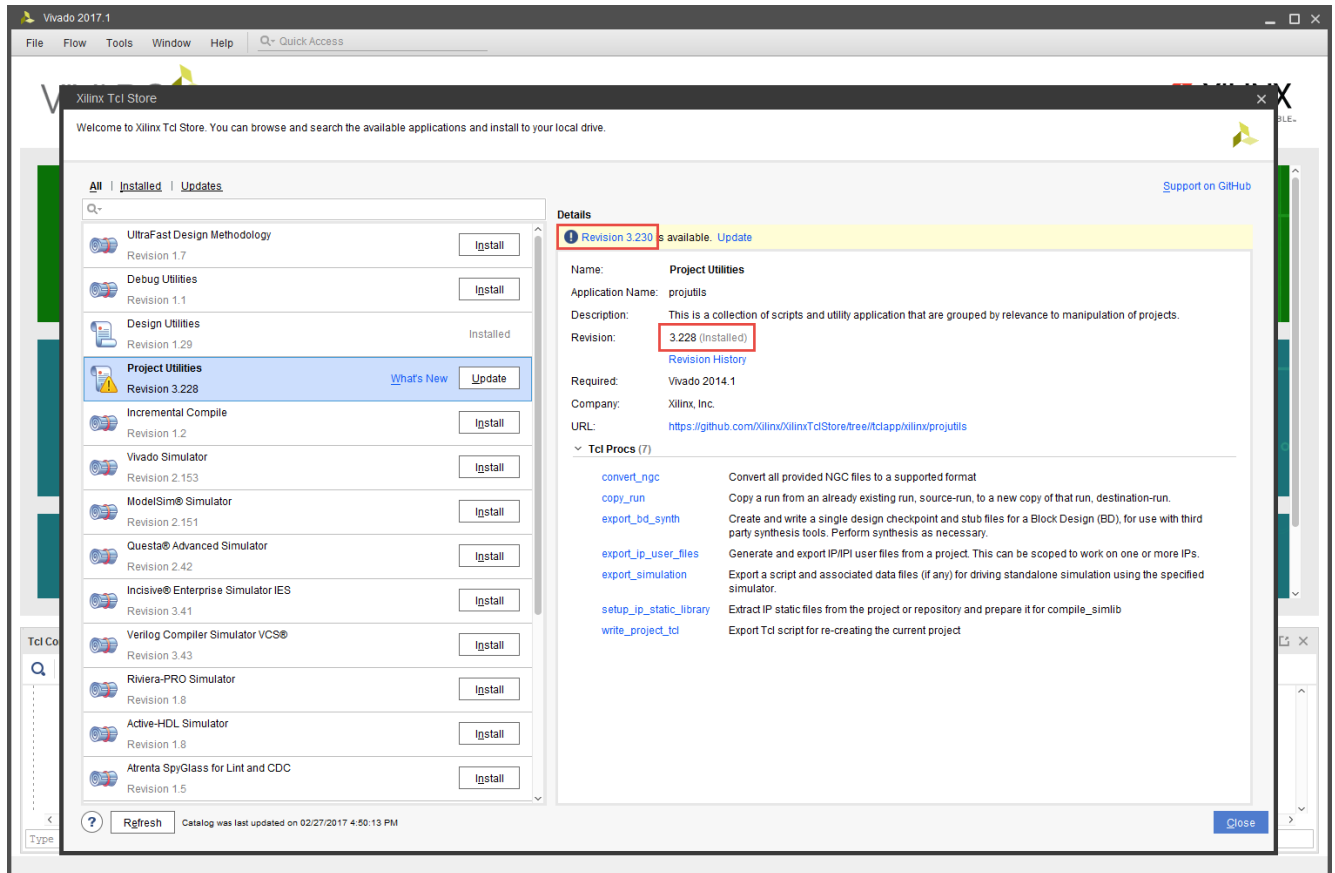


This is a notification that the app is not updated yet. The version of the projutils app remains 3.228 until you click the **Update** button.

Note: It is not possible to revert an app to a previous version.

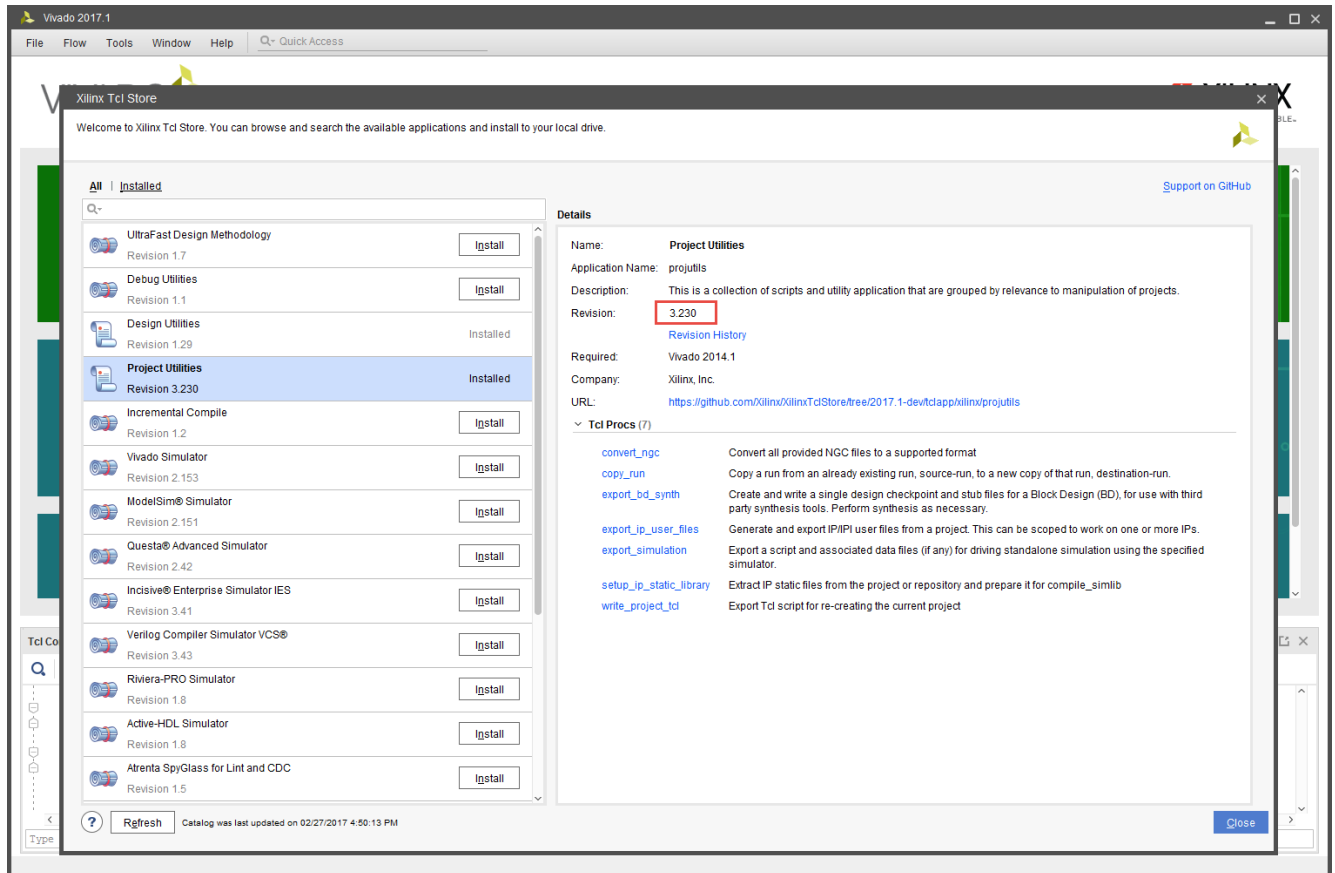
To update the app to the newest version, click the **Update** button (Step 1) and a dialog window opens to confirm the update (Step 2) as shown in the following figure.

Figure 23: Updating the App



After the update is completed, the installed version of projutils is upgraded to the latest version.

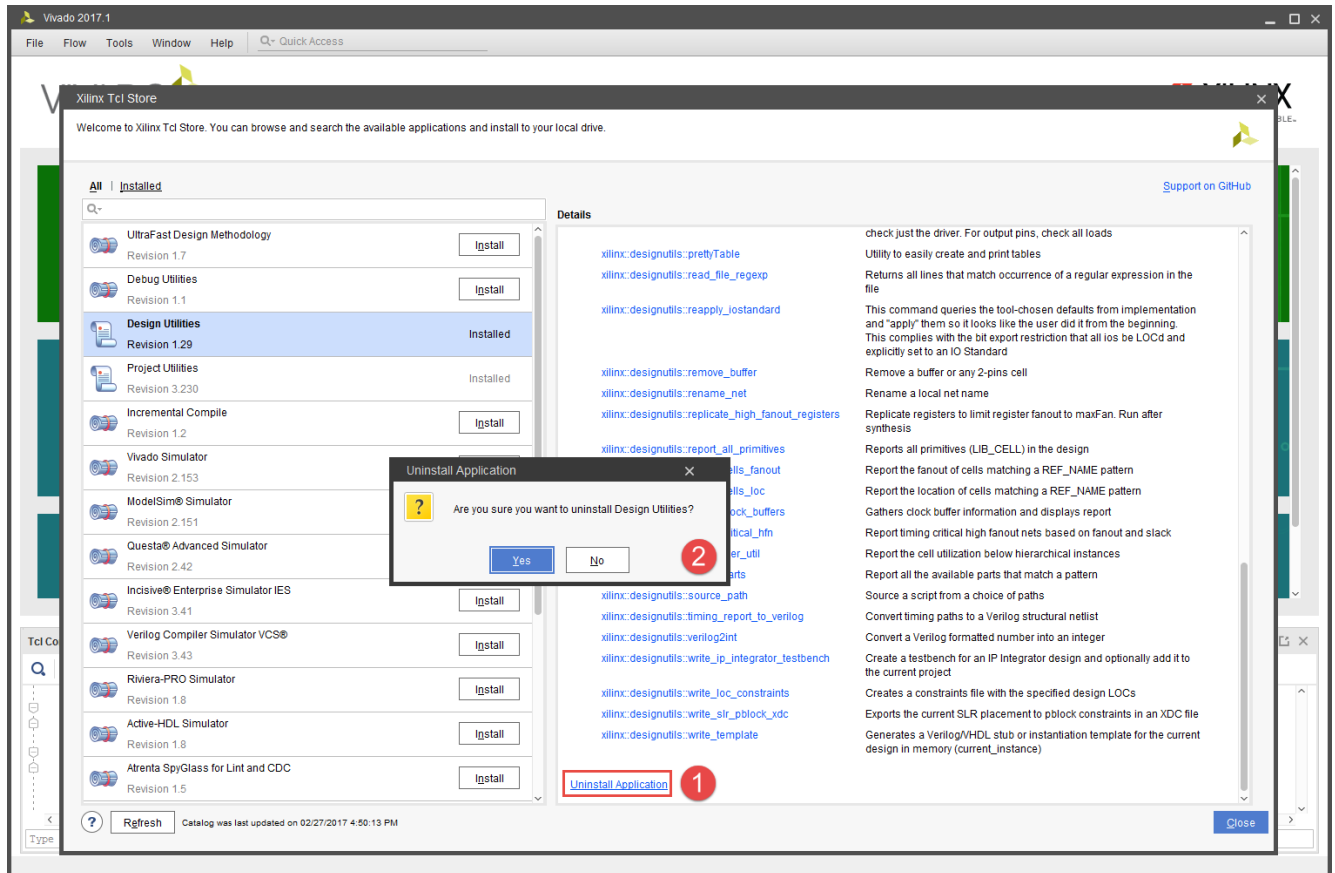
Figure 24: Confirming the Update



Uninstalling an App

To uninstall an app, select the app in the left panel of the GUI. Then in the right panel, at the bottom of the **Details** section, click the **Uninstall Application** hyperlink (Step 1). A dialog window opens to confirm the uninstall (Step 2).

Figure 25: Uninstalling the App



After an app is uninstalled, the procs provided by the app are no longer available inside the Tcl console.

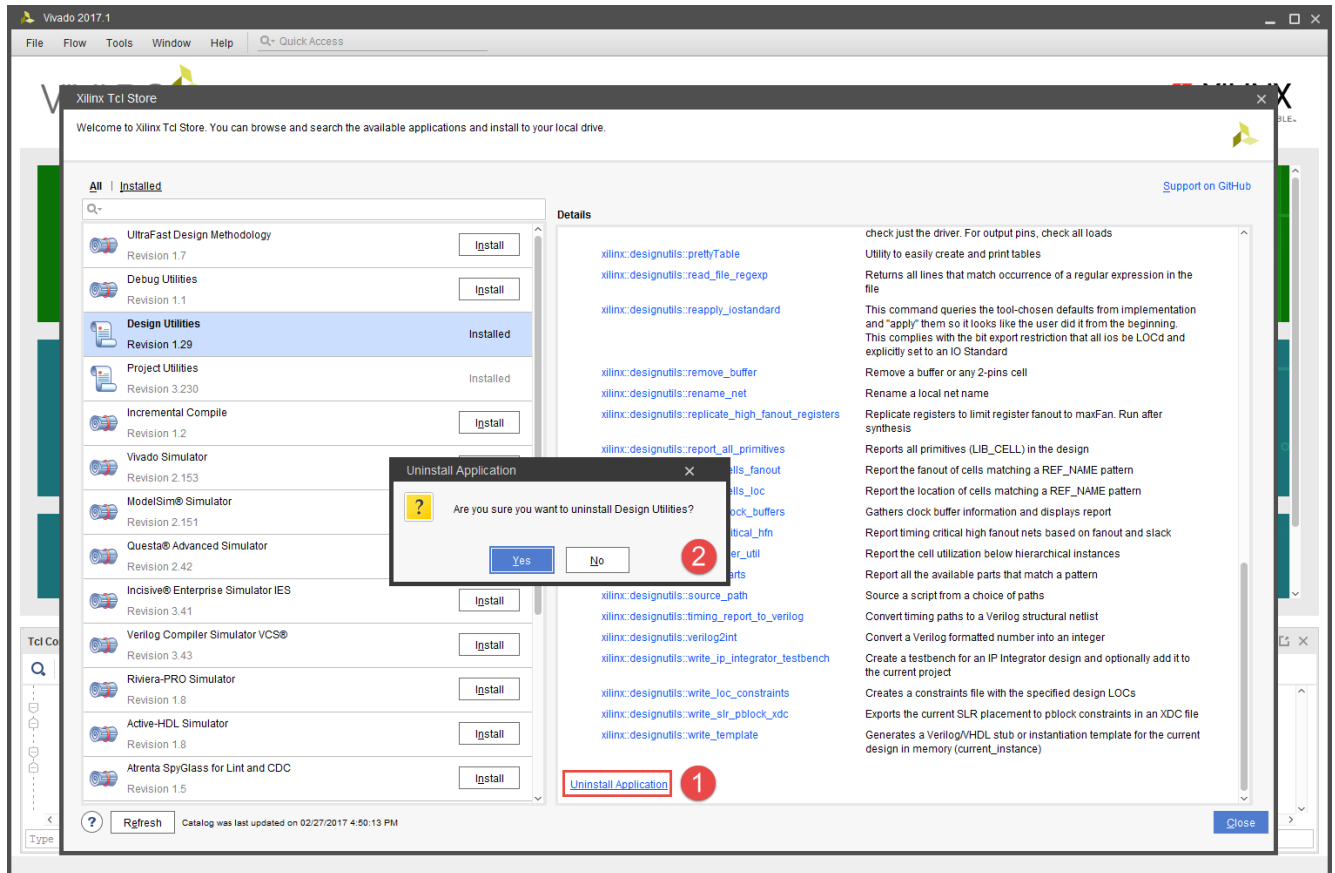
Disabling Catalog Refresh

For some companies that are concerned about applications querying information outside their firewall, there is a feature to disable refreshing of the repository. This prevents Vivado from querying the app catalog. In this case users are limited to the current static version of the repo. To disable refresh capability, the following Tcl param can be set in the startup `Vivado_init.tcl` script for all Vivado sessions:

```
vivado% set_param tclapp.enableGitAccess 0
```

After the catalog refresh is disabled, the **Refresh** button is replaced by the message shown in [Disabling Catalog Refresh](#): Internet access is not available.

Figure 26: Disabling Refresh



Coding Guidelines

The Xilinx Tcl Store is an open source repository that allows internal and external users to contribute Tcl scripts for use by the Xilinx community. To prevent redundant efforts and ensure consistency, a gatekeeping committee reviews requests from contributors. Refer to the online wiki for further information on this process (<https://github.com/Xilinx/XilinxTclStore/wiki/Xilinx-Tcl-Store-Home>).

This section reviews the various coding guidelines that a Tcl script must follow before being added to the Xilinx Tcl Store. Those guidelines ensure, for instance, that the script is compliant with the underlying Xilinx Tcl Store mechanism or that there is no name collision between proc names and variables across all the apps and Tcl scripts. However, this section does not cover the process you must follow to contribute to the Tcl Store. The online Wiki covers that aspect.

The Xilinx Tcl Store includes many Tcl scripts that can be used as reference and as example code. In addition, a template app that can be found under:

```
<VIVADO_INSTALL>/data/XilinxTclStore/tclapp/mycompany/template/*
```

This template illustrates the directory structure that a new app must follow along with sample scripts. This section uses the following script as example code and reference:

```
<VIVADO_INSTALL>/data/XilinxTclStore/tclapp/mycompany/template/myscript1.tcl
```

The example code in this section assumes that the app name is `template` and that the app is provided and maintained by a company named `mycompany`.

Terminology

- A user proc is referred to in this guide as a proc that is expected to be executed by the user.
- A helper proc is a proc that can be used behind the scenes by a user proc to perform a task. However, a helper proc is not expected to be directly executed by the user. Helper procs are not included in the Help system.

Vivado Package

Each app requires a minimum Vivado version to work. The app can check this by requiring a minimum Vivado package version number inside the Tcl code. The Vivado package name follows the format `1.<release>`. For example: `1.2018.1`, `1.2018.2`, `1.2018.3`, and so forth.

If the app requires, for instance, Vivado 2018.1 to work, the following code should be added at the very top of the script:

```
package require Vivado 1.2018.1
```

If the app depends on some functionalities added, for instance, to Vivado 2018.3, then the following code should be used instead:

```
package require Vivado 1.2018.3
```

The required Vivado package should be the minimum Vivado release that works with the app. This means that the Tcl scripts should not update the Vivado package that is required unless this is necessary, for instance, if the app would be enhanced to support functionalities that are delivered with the new release of Vivado.

App Namespace

Inside the Xilinx Tcl Store, a Tcl script belongs to an app, and an app (for example, `template`) is provided by a company (for example, `mycompany`). An app is an organizational container that offers some type of functionality. To avoid naming collision, each app has its own namespace. The full namespace qualifier for an app is:

```
::tclapp::<company>::<app>
```

or

```
::tclapp::mycompany::template
```

See the examples below:

```
namespace eval ::tclapp::mycompany::template {namespace export my_command1
}
proc ::tclapp::mycompany::template::my_command1 { args } {
}
```

The above code creates the `proc my_command1` under the namespace `::tclapp::mycompany::template`. Since `my_command1` is expected to be executed by the user, it needs to be exported out of the app namespace. That is done with `namespace export my_command1`.

User Procs and Helper Procs

A Tcl script can define multiple user procs. A user proc is a Tcl proc (that is, a command) expected to be executed by the user. As stated previously, all the user procs need to be exported from the namespace of the app.

In addition to user procs, a Tcl script can define some helper procs. Helper procs are only used by the user procs and should not be exposed to the user. As a result, helper procs should not be exported from the namespace. Exporting a proc from the namespace is the only way to specify to the system which of the procs should be exposed to the user through the command line interface (scripting and/or Tcl console).

When a user proc uses helper procs, it is recommended to create a sub-namespace under the app and move the user proc and helper procs below it. Doing this ensures that there will be no name collision between all the helper procs within the app. It is especially important as the app grows in size and more scripts are added along with their own helper procs.

The code below illustrates the recommended structure for the Tcl code. The user proc still exists directly under the app's namespace, but it is just a wrapper used to call the original proc that has been moved under the sub-namespace, `::tclapp::mycompany::template::my_command1`.

```
namespace eval ::tclapp::mycompany::template {
    namespace export my_command1
}
proc ::tclapp::mycompany::template::my_command1 { args } {
    # Calling the original code moved under the sub-namespace
    uplevel [concat ::tclapp::mycompany::template::my_command1::my_command1
    $args]
}
eval [list namespace eval ::tclapp::mycompany::template::my_command1 {
} ]
proc ::tclapp::mycompany::template::my_command1::my_command1 { args } {
```

```
# Here is the code of the original proc
}
proc ::tclapp::mycompany::template::my_command1::helper1 { args } {
    # Here is the code of the helper proc
}
```

Note: The sub-namespace `::tclapp::mycompany::template::my_command1` needs to be created prior to defining the procs inside. The syntax to create the sub-namespace must be `eval [list namespace eval ::tclapp::mycompany::template::my_command1 {}]` to prevent an error message from the linter.

Note: To make the code easier to read, the above code does not include the mandatory meta-comments that are discussed later in this section.

Install and Uninstall Hook Procs

Each app can have an `install` and `uninstall` proc. After they have been defined, the procs are recognized by the Tcl Store and automatically called in specific situations:

- The `install` proc is automatically called when the app is installed. This is the first proc called by the Tcl Store during the install process. After the app has been installed, the `install` proc is no longer called. During the subsequent start of Vivado tools, the `install` proc is not called because the app is only loaded.
- The `uninstall` proc is automatically called when the app is uninstalled. This is the last proc called by the Tcl Store during the uninstall process.

The name of the `install` proc is `::tclapp::<company>::<app>::install` and the name of the `uninstall` proc is `::tclapp::<company>::<app>::uninstall`.

For example:

```
::tclapp::mycompany::template::install
::tclapp::mycompany::template::uninstall
```

The `install` and `uninstall` procs can be used to handle, for example, a custom GUI button. The button can be installed by the `install` proc and removed by the `uninstall` proc. Multiple custom GUI buttons can be associated with an app. After a button is installed, it is available through all subsequent calls of the same Vivado tools version, until the app is uninstalled. The `install` and `uninstall` procs are optional. If the app does not use the `install` and `uninstall` procs, these procs can either be left undefined or defined with an empty body.

Below is an example of empty procs:

```
proc ::tclapp::mycompany::template::install { args } {
    # Summary :
    # Argument Usage:
    # Return Value:
    # Here is the code of the install proc
    # For example, a GUI custom button could be added
}
```

```

proc ::tclapp::mycompany::template::uninstall { args } {
    # Summary :
    # Argument Usage:
    # Return Value:
    # Here is the code of the uninstall proc
    # For example, the GUI custom button added by the install proc should be
    removed
}
    
```

The example procs below reference a custom GUI button:

```

proc ::tclapp::mycompany::template::install { args } {
    # Summary :
    # Argument Usage:
    # Return Value:
    ## Add Vivado GUI button for the app
    if { [lsearch [get_gui_custom_commands] myButton] >= 0 } {
        puts "INFO: Vivado GUI button for the app is already installed.
        Exiting ..."
        return -code ok
    }
    puts "INFO: Adding Vivado GUI button for the app"
    create_gui_custom_command -name "myButton" \
        -menu_name "Do something" \
        -command "::tclapp::mycompany::template::my_command1" \
        -show_on_toolbar \
        -run_proc true
        create_gui_custom_command_arg -command_name "myButton" -arg_name
        "Top_Module"
    -default "[lindex [find_top] 0]"
        create_gui_custom_command_arg -command_name "myButton" -arg_name
        "Output_Directory" -default "-output_dir report" -optional
        create_gui_custom_command_arg -command_name "myButton" -arg_name "Force" -
        default
        "-force" -optional
        return -code ok
    }
proc ::tclapp::mycompany::template::uninstall { args } {
    # Summary :
    # Argument Usage:
    # Return Value:
    if { [lsearch [get_gui_custom_commands] myButton] >= 0 } {
        puts "INFO: Vivado GUI button for this app is removed."
        remove_gui_custom_commands "myButton"
    } else {
        puts "INFO: Vivado GUI button for this app is not installed."
    }
    return -code ok
}
    
```

Sharing Variables

The golden rule regarding variables is that global variables are forbidden. The Xilinx Tcl Store linter checks for global variables inside the scripts and generates an error message if any global variable is defined.

If some variables need to be shared within procs of an app, then they should be declared inside the namespace. This is done by creating the variables with the keyword `variable` inside the namespace. Such variables can be used like global variables, but only within the namespace.

The code below creates the variable `verbose` that can be shared within all the procs that belong to the same namespace. The variable is initialized to 0:

```
namespace eval ::tclapp::mycompany::template {
    variable verbose 0
}
```

To access the variable inside a proc, the variable should be declared with the keyword `variable` inside the proc.

For example:

```
proc ::tclapp::mycompany::template::my_command1::my_command1 { args } {
    variable verbose
    # The variable verbose can be accessed here
    set verbose 1
}
proc ::tclapp::mycompany::template::my_command1::helper1 { args } {
    variable verbose
    # The variable verbose can be accessed here
    if {$verbose} {
        ..
    }
}
```

Note: The variable `verbose` can also be accessed from any namespace (including the global namespace) by using the full namespace qualifier. For example:

```
set ::tclapp::mycompany::template::verbose 1
```

Meta-Comments

All the procs inside the Tcl scripts must include some mandatory meta-comments. This applies to user procs (exported out of the namespace) as well as helper procs. The Xilinx Tcl Store linter generates error messages if the meta-comments are missing. The meta-comments for all the exported procs must have complete information. The helper procs however can have empty meta-comments, but the meta-comments must be declared.

The meta-comments provide information to the system such as a short description of what the procs are doing, some category information as well as the list of the command line options supported by the procs. The meta-comments must be included between the proc definition and before the first line of code. All of the meta-comments are mandatory.

The list of mandatory meta-comments is as follows:

- **Summary:** Summary of what the proc is doing. This can be a multi-line summary. The summary is displayed inside the GUI as the proc short description.

- **Argument Usage:** List of command line arguments in the proc. This meta-comment is used to build the Help system. Another section in this document describes the supported format.
- **Return Value:** Use this meta-comment to specify the possible return values for the proc. This meta-comment is used to build the Help system.
- **Categories:** List of categories the app belongs to. Use this meta-comment to specify which categories in the Vivado Help system your app should be listed under. In this meta-comment, "Categories:" should be followed by a comma-separated list. By convention, the first category listed should always be `xilixtclstore` followed by the app name.

Below is an example of meta-comments needed for a user proc.

```
proc ::tclapp::mycompany::template::my_command1 { args } {
    # Summary: Multi-lines summary of
    # what the proc is doing
    # Argument Usage:
    # [-verbose]: Verbose mode
    # [-file <arg>]: Report file name
    # [-append]: Append to file
    # [-return_string]: Return report as string
    # [-usage]: Usage information
    # Return Value:
    # return report if -return_string is used, otherwise 0. If any error
    occur TCL_ERROR
    is returned
    # Categories: xilixtclstore, template
    # The code for the proc starts below
}

```

Note: The detailed meta-comments must be included in the user proc being exported out of the namespace, not the proc `my_command1` that was created in the sub-namespace with its helper proc.

Below is an example of meta-comment for a helper proc. All the meta-comments are defined although they are empty:

```
proc ::tclapp::mycompany::template::my_command1::lshift {inputlist} {
    # Summary :
    # Argument Usage:
    # Return Value:
    # Categories:
    # The code starts below
}

```

To summarize, the rule is that all Tcl procs inside the scripts must include all the meta-comments. However, on the user procs exported from the namespace need to have detailed information.

Meta-Comment for Command Line Arguments

The user proc's command line arguments must be described with the meta-comment `Argument Usage` inside the user procs. This meta-comment is used by the Help system to generate the message when `<command> -help` is executed by the user or when the proc help is displayed in the GUI. For example:

```
# Argument Usage:
# [-verbose]: Verbose mode
# [-file <arg>]: Report file name
# [-append]: Append to file
# [-return_string]: Return report as string
# [-usage]: Usage information
```

The above meta-comment `Argument Usage` generates the following message from the Help system:

```
Syntax:
xilinx::designutils::write_template [-verbose] [-file <arg>] [-append]
                                   [-return_string] [-usage] [-quiet]

Usage:
Name          Description
-----
[-verbose]    Verbose mode
               Default: 0
[-file]       Report file name
               Default: None
[-append]     Append to file
               Default: 0
[-return_string] Return report as string
               Default: 0
[-usage]      Usage information
               Default: 0
[-quiet]      Ignore command errors
```

It is important to keep in mind that the meta-comment `Argument Usage` is not a preprocessing of the command line argument by Vivado before calling the Tcl proc. It is only used by the Help system. The Tcl code of the proc has to handle the complete processing of the command line arguments.

User Procs without Command Line Argument

If the user proc does not provide any command line arguments, the meta-comment `Argument Usage`, although mandatory, must be left empty. For example:

```
proc ::tclapp::mycompany::template::my_command2 {} {
    # Summary : A one line summary of what this proc does
    # Argument Usage:
    # Return Value:
    # TCL_OK is returned with result set to a string
    # Categories: xilinxctlstore, template
}
```

User Procs with Command Line Argument

Like any Tcl proc, the arguments definition of the user procs can be either position-based or accept a variable list of arguments through the `args` variable.

```
proc ::tclapp::mycompany::template::my_command2 { arg1 {optional1 ,} } {
}
```

or,

```
proc ::tclapp::mycompany::template::my_command2 { args } {
}
```

In both cases, it is up to the developer to define the meta-comment `Argument Usage` to reflect the list of command line arguments accepted by the proc. The system does not check the consistency between the list of arguments from the meta-comment `Argument Usage` with the actual arguments definition.

Because the meta-comment `Argument Usage` is used to build the Help message, whatever above form is used for the proc to pass argument, the meta-comment must be updated accordingly. For example:

```
proc ::tclapp::mycompany::template::my_command2 { arg1 {optional1 ,} } {
    # Summary : A one line summary of what this proc does
    # Argument Usage:
    # arg1 : A one line summary of this argument
    # [optional1=,] : A one line summary of this argument
    # Return Value:
    # TCL_OK is returned with result set to a string
    # Categories: xilixtclstore, template
}
```

or,

```
proc ::tclapp::mycompany::template::my_command2 { args } {
    # Summary : A one line summary of what this proc does
    # Argument Usage:
    # arg1 : A one line summary of this argument
    # [optional1=,] : A one line summary of this argument
    # Return Value:
    # TCL_OK is returned with result set to a string
    # Categories: xilixtclstore, template
}
```

Note: Using `args` should always be preferred whenever possible over using position-based arguments. The `args` method provides the best user experience as the list and order of the command line arguments has no restriction. If the proc supports only one or two command arguments then the position-based can be still used, but is not as user-friendly since the arguments are ordered and the user does not know in which order the arguments should be passed to the proc (information not provided by the Help system).

Meta-Comment Argument Usage

This is the most complex of the meta-comments. There should be one line for each mandatory or optional argument supported by your proc. Optional arguments should be enclosed within []. Arguments that are accompanied by a value must be followed by the literal text '<arg>' (without quotes), indicating to the user where the value should be placed. The summary should explain what are the valid values that a user could use. You can also specify a default value, which is a value that will be assumed if the user does not specify the given optional argument. You can also have optional arguments that do not take any value (these are often referred to as "flags"). A flag's presence on the command line implies a value of true, indicating that some optional action should be taken by the app. An exception to this rule is if the name of the flag is prefixed with "no_" (for example, `-no_cleanup`), in which case a value of false is implied, indicating that the app will not take some action, which by default it normally performs.

You can also specify positional arguments. A positional argument is one for which just a value is specified and that has no corresponding flag (for example, `-arg1`).

For example, the following meta-comment:

```
# Argument Usage:
# timingPath : mandatory name
# [-append]: optional flag
# -cell <arg>: mandatory argument with no default value
# [-template <arg> = stub]: optional argument with a default value. The
default
value is: stub
```

Results in the following Help message:

```
Syntax:
mycompany::template::mycommand [-append] -cell <arg> [-template <arg>]
                                [-quiet] [-verbose] <timingPath> <-
name>
Returns:
template in the case of -return_string, otherwise 0 TCL_ERROR if error
Usage:
  Name      Description
  -----
  [-append] optional flag
             Default: 0
  -cell     mandatory argument with no default value
  [-template] optional argument with a default value. The default value
is:
             stub
             Default: stub
  [-quiet]  Ignore command errors
  [-verbose] Suspend message limits during command execution
  <timingPath> mandatory
```

The actual processing of the command line arguments has to be programmatically done inside the proc.

Note: The `-append` argument is optional and has a default value of 0. After the `-append` argument is specified on the command line, the system returns 1.

Example Script

The complete script used as example in this section can be found under:

```
<XilinxTclStore>/tclapp/mycompany/template/myscript1.tcl
package require Vivado 1.2014.1
namespace eval ::tclapp::mycompany::template {
    # Export procs that should be allowed to import into other namespaces
    namespace export my_command1
}
proc ::tclapp::mycompany::template::my_command1 { args } {
    # Summary: Multi-lines summary of
    # what the proc is doing
    # Argument Usage:
    # [-verbose]: Verbose mode
    # [-file <arg>]: Report file name
    # [-append]: Append to file
    # [-return_string]: Return report as string
    # [-usage]: Usage information
    # Return Value:
    # return report if -return_string is used, otherwise 0. If any error
    occur TCL_ERROR
    is returned
    # Categories: xilixtclstore, template
    uplevel [concat ::tclapp::mycompany::template::my_command1::my_command1
    $args]
}
# Trick to silence the linter
eval [list namespace eval ::tclapp::mycompany::template::my_command1 {
} ]
proc ::tclapp::mycompany::template::my_command1::lshift {inputlist} {
    # Summary :
    # Argument Usage:
    # Return Value:
    # Categories:
    upvar $inputlist argv
    set arg [lindex $argv 0]
    set argv [lrange $argv 1 end]
    return $arg
}
proc ::tclapp::mycompany::template::my_command1::my_command1 {args} {
    # Summary :
    # Argument Usage:
    # Return Value:
    # Categories:
    #-----
    # Process command line arguments
    #-----
    set error 0
    set help 0
    set filename {}
    set cell {}
    set returnString 0
    while {[llength $args]} {
        set name [lshift args]
        switch -regexp -- $name {
            -cell -
                {^-c(e(ll?)?)?$} {
                    set cell [lshift args]
                }
            -file -
                {^-f(i(le?)?)?$} {
```

```

        set filename [lshift args]
        if {$filename == {}} {
            puts " -E- no filename specified."
            incr error
        }
    }
    -append -
    {^-a(p(p(e(nd?)?)?)?)?$} {
        set mode {a}
    }
    -return_string -
    {^-r(e(t(u(r(n(_(s(t(r(i(ng?)?)?)?)?)?)?)?)?)?)?)?$} {
        set returnString 1
    }
    -usage -
    {^-u(s(a(ge?)?)?)?$} {
        set help 1
    }
    default {
        if {[string match "-*" $name]} {
            puts " -E- option '$name' is not a valid option. Use the -
usage option
            for more details"
            incr error
        } else {
            puts " -E- option '$name' is not a valid option. Use the -
usage option
            for more details"
            incr error
        }
    }
}
if {$help} {
    puts [format {
Usage: my_command1
        [-cell <arg>]      - Cell to generate template on. If not
specified,
                        runs on current_instance
        [-file <arg>]     - Output file name
                        Default: <module>.v or <module>.vhd
        [-append]        - Append to file
        [-return_string] - Return template as string
        [-usage|-u]      - This help message
Description: Get information on a cell and generate a report
Example:
        tclapp::mycompany::template::my_command1
        tclapp::mycompany::template::my_command1 -cell ila_v2_1_0 -
return_string
    } ]
    # HELP -->
    return {}
}
if {$error} {
    error " -E- some error(s) happened. Cannot continue"
}
return -code ok "my_command1 result"
}
    
```

You can run the Xilinx Tcl Store linter on your Tcl script using the Vivado command `linter`. The arguments are a list of Tcl script(s). For example:

```
vivado% linter myscript.tcl
vivado% linter [glob -nocomplain *.tcl]
```

Every error generated by the linter should be fixed. To be submitted, all the Tcl scripts of the app must pass the linter.

Contributing to the Xilinx Tcl Store

If you are interested to contribute to the Xilinx Tcl Store, please refer to the online wiki at:

<https://github.com/Xilinx/XilinxTclStore/wiki/Xilinx-Tcl-Store-Home>

The Wiki includes detailed information about the various steps and workflow.

Tcl Scripting Tips

The runtime and efficiency of Tcl scripts can be improved by following a few rules. The following examples are a few suggestions for ways to improve runtime and memory footprint when using Tcl scripting in the Vivado Design Suite.

Performance via Nesting

When a Tcl command is executed from the Tcl console, the command is first being processed at the level of the Tcl interpreter. If there is no syntax error, the command is then executed at the C++ level. If the command returns a value, the C++ code sends the returned value to the Tcl interpreter through some layers of software. This layering back and forth between the Tcl interpreter and the low-level C++ code has some runtime penalty. However, when nesting is used within the same command, nested commands are directly called from the C++ code. The C++ code only returns to the Tcl interpreter once the whole command has been completed. For example, this code:

```
set nets [get_nets -hier]
set pins [get_pins -of_objects $nets]
```

is slower than this code:

```
set pins [get_pins -of_objects [get_nets -hier]]
```

This is because the first code sample creates an intermediate Tcl variable, `nets`.

However, it might sometimes be preferable to create intermediate Tcl variables if the results of these variables can be reused in other parts of the code.

Caching Objects

Objects or lists of objects should be cached in Tcl variables so they can be reused later.

For example, if the same list of nets is going to be reused multiple times in the script, it does not make sense to do the same query over and over. Although the Tcl commands in the Vivado tools have been implemented efficiently, every Tcl query goes back and forth between the Tcl interpreter and the lower level C++ code of the application. This C++/Tcl interface consumes runtime that should be avoided when possible.

Use the different filtering capabilities of the Vivado tools as often as possible. Tools such as effective search pattern definition, `-of_objects` option, the `-filter` option, and the `filter` command can reduce run-time. Those features have been implemented at a very low level in the application, and are very efficient in terms of runtime and memory.

By caching the results of a general query, a list of objects can be post-processed using the `filter` command to create a sub-list of objects. You can also use standard Tcl list commands to parse the results assigned to the Tcl variable without accessing the in-memory design unless necessary.

```
set allCells [get_cells * -hier]
lsort $allCells ; # Returns a sort ordered list of all cells
filter $allCells {IS_PRIMITIVE} ; # Returns only the primitive cells
filter $allCells {!IS_PRIMITIVE} ; # Returns non-primitive cells
```

Object Names and the NAME Property

While some Tcl commands expect a design object, other commands may expect a string input. The Vivado Design Suite has been implemented to allow design objects to be passed directly to Tcl commands, even those expecting a string argument. In this case, the hierarchical name of the design object is passed to the Tcl command as a string. There is no need to access the `NAME` property of the object in order to pass it to the Tcl command.

For example in the following `regexp` command, both IF statements are equivalent, since in both cases the Tcl interpreter is passed the name of the object:

```
if {[regexp {.*enable.*} $MyObject]} { ... }
if {[regexp {.*enable.*} [get_property NAME $MyObject]]} { ... }
```


In this example, the first expression is not only easier to read than the second expression, it will also run much faster than the second, since it does not have to access and return the properties on the object. The `get_property` command in the second statement will cause the Vivado tools to iterate between the Tcl interpreter and the underlying C++ application code to access and return the object properties. If this is done in a looping construct, for multiple objects, it can significantly increase the run time for your Tcl script.

Connecting and Disconnecting Nets

The runtime for connecting or disconnecting a collection of objects can vary significantly depending on which command line options are used.

`disconnect_net`: for disconnecting a large number of nets or pins, when the list of netlist elements is already available as first-class objects, the command line option `-pinlist` should be used instead of `-objects`. However, when the netlist elements are only known by name (string), then `-objects` can be used and results in Vivado automatically converting the strings into first-class objects. The `-objects` forces the conversion into first-class objects even when first-class objects are passed as argument.

`connect_net`: for faster runtime, the command line option `-dict` should be favored as an alternative to `-net_object_list` but it requires a list of net and pin/port object pairs

For example:

```
set myNetA [get_nets netA]
set myPin1 [get_pins pin1]
set myPin2 [get_pins pin2]
set myPin3 [get_pins pin3]
connect_net -dict { $myNetA $myPin1 $myNetA $myPin2 $myNetA $myPin3 }
```

get_property and Sorted Lists

The list of elements (strings or objects) returned by `get_property` is ordered based on the input list of objects. It also has the same number of elements. This property can be used to iterate with the Tcl command `foreach` through multiple lists at once.

Inefficient code:

```
set cells [get_cells -hier -filter {...}]
foreach cell $cells {
    set loc [get_property LOC $cell]
    ...
}
```

In the code above, the command `get_property LOC $cell` is executed for each cell inside the collection `$cells`.

Efficient code:

```
set cells [get_cells -hier -filter {...}]
foreach cell $cells loc [get_property LOC $cells] {
    ...
}
```

In the code above, the command `get_property LOC $cells` is executed only once which improves the runtime significantly when a long list of objects is processed. This is possible because the list returned by `get_property` has the same number of elements as the Tcl list `$cells` and the returned elements are in the same order as the input list.

Formatting Lists of Objects

When a list is returned from the `get_*` commands, the list is un-formatted and returned to `stdout` in a single line delimited by a space. This is shown in the following example:

```
get_cells
A B clk_IBUF_inst rst_IBUF_inst din0_IBUF_inst din1_IBUF_inst
dout0_OBUF_inst
dout1_OBUF_inst dout2_OBUF_inst dout3_OBUF_inst clk_IBUF_BUFG_inst
```

This un-formatted return makes it difficult to see what has been returned in the Tcl Console and the Vivado IDE. To have each item in the list returned on a separate line, simply execute the command nested in a `join` command, with the newline character, `'\n'`, as follows:

```
join [get_cells] \n
A
B
clk_IBUF_inst
rst_IBUF_inst
din0_IBUF_inst
din1_IBUF_inst
dout0_OBUF_inst
dout1_OBUF_inst
dout2_OBUF_inst
dout3_OBUF_inst
clk_IBUF_BUFG_inst
```

The list returned by the `get_*` command is unaffected by the `join` command.

Note: When converting a Vivado collection of objects into a string representation, not all the objects have to be included in the string representation. The number of objects to be included in the string representation is defined with the parameter `tcl.collectionResultDisplayLimit` (default: 500). Refer to section [Collection versus String Representation](#) for more information.

Finding Vivado Tcl Commands by Options

The following procedure, `findCmd`, searches through the syntax of all the Tcl commands in the Vivado Design Suite, and displays a list of commands that support the specified option:

```
proc findCmd {option} {
    foreach cmd [lsort [info commands *]] {
        catch {
            if {[regexp "$option" [help -syntax $cmd]]} {
                puts $cmd
            }
        }
    }
} ; # End proc
```

To find the Vivado tools commands that support the `-return_string` option use:

```
findCmd return_string
```

Writing Efficient Code

One way to improve runtime is to write code efficiently such that a container is built and a command runs on the entire container versus running the command within a loop on each item that would be part of the container. The following example illustrates this and is similar to that seen in the [Creating Custom Design Rules Checks \(DRCs\)](#) section.

Inefficient code:

```
foreach bram [get_cells -hier -filter {PRIMITIVE_SUBGROUP == bram}] {
    set bwidth [get_property WRITE_WIDTH_B $bram]
    if { $bwidth > 36 } {
        highlight_object -color red [get_cells $bram]
    }; # End IF
}; # End FOR
```

Efficient code:

```
foreach bram [get_cells -hier -filter {PRIMITIVE_SUBGROUP == bram}] {
    set bwidth [get_property WRITE_WIDTH_B $bram]
    if { $bwidth > 36 } {
        lappend bram_list $bram
    }; # End IF
}; # End FOR
highlight_object -color red [get_cells $bram_list]
```

An even more compact and efficient way to code this is to apply the filter as part of the `get_cells` command. This removes the need to perform a `foreach` loop with individualized checking at the expense of a slightly more complicated filter.

```
highlight_object -color red [get_cells -hier -filter {PRIMITIVE_SUBGROUP ==
bram &&
WRITE_WIDTH_B > 36}]
```

Getting User Input

In a traditional `tclsh` shell, your input is typically captured using the `stdin` channel. For example:

```
gets stdin answer
```

In the Vivado IDE, the Tcl code can be executed in different environments that are most of the time incompatible with the `stdin` channel. Unless you know that the script will only be executed in Vivado Tcl mode on a local shell, `stdin` cannot be used to get user input.

Your input is typically used to alter the behavior of a script or set values for parameters. In this regard, getting some information through `stdin` is unreliable and prone to errors (typos, wrong value, etc.).

It is recommended that you provide custom values to a script through a configuration file that can be easily read by the Tcl script. A configuration file can be as simple as a list of Tcl variables in a file that can be imported in a script using the command: `source`

```
<configuration_file>
```

Such a configuration file can be used whether the Vivado IDE is run in batch mode or using a remote machine (LSF, etc.).

Additional Resources and Legal Notices

Xilinx Resources

For support resources such as Answers, Documentation, Downloads, and Forums, see [Xilinx Support](#).

Documentation Navigator and Design Hubs

Xilinx[®] Documentation Navigator (DocNav) provides access to Xilinx documents, videos, and support resources, which you can filter and search to find information. To open DocNav:

- From the Vivado[®] IDE, select **Help** → **Documentation and Tutorials**.
- On Windows, select **Start** → **All Programs** → **Xilinx Design Tools** → **DocNav**.
- At the Linux command prompt, enter `docnav`.

Xilinx Design Hubs provide links to documentation organized by design tasks and other topics, which you can use to learn key concepts and address frequently asked questions. To access the Design Hubs:

- In DocNav, click the **Design Hubs View** tab.
- On the Xilinx website, see the [Design Hubs](#) page.

Note: For more information on DocNav, see the [Documentation Navigator](#) page on the Xilinx website.

References

These documents provide supplemental material useful with this guide:

1. *Vivado Design Suite Tcl Command Reference Guide* ([UG835](#))
2. *Vivado Design Suite User Guide: Getting Started* ([UG910](#))
3. *Vivado Design Suite User Guide: Using Constraints* ([UG903](#))
4. *ISE to Vivado Design Suite Migration Guide* ([UG911](#))
5. *Vivado Design Suite User Guide: Design Flows Overview* ([UG892](#))
6. *Vivado Design Suite User Guide: Using the Vivado IDE* ([UG893](#))
7. *Vivado Design Suite User Guide: System-Level Design Entry* ([UG895](#))
8. [Tcl Developer Xchange](#)
9. [Vivado Design Suite Documentation](#)

Please Read: Important Legal Notices

The information disclosed to you hereunder (the "Materials") is provided solely for the selection and use of Xilinx products. To the maximum extent permitted by applicable law: (1) Materials are made available "AS IS" and with all faults, Xilinx hereby DISCLAIMS ALL WARRANTIES AND CONDITIONS, EXPRESS, IMPLIED, OR STATUTORY, INCLUDING BUT NOT LIMITED TO WARRANTIES OF MERCHANTABILITY, NON-INFRINGEMENT, OR FITNESS FOR ANY PARTICULAR PURPOSE; and (2) Xilinx shall not be liable (whether in contract or tort, including negligence, or under any other theory of liability) for any loss or damage of any kind or nature related to, arising under, or in connection with, the Materials (including your use of the Materials), including for any direct, indirect, special, incidental, or consequential loss or damage (including loss of data, profits, goodwill, or any type of loss or damage suffered as a result of any action brought by a third party) even if such damage or loss was reasonably foreseeable or Xilinx had been advised of the possibility of the same. Xilinx assumes no obligation to correct any errors contained in the Materials or to notify you of updates to the Materials or to product specifications. You may not reproduce, modify, distribute, or publicly display the Materials without prior written consent. Certain products are subject to the terms and conditions of Xilinx's limited warranty, please refer to Xilinx's Terms of Sale which can be viewed at <https://www.xilinx.com/legal.htm#tos>; IP cores may be subject to warranty and support terms contained in a license issued to you by Xilinx. Xilinx products are not designed or intended to be fail-safe or for use in any application requiring fail-safe performance; you assume sole risk and liability for use of Xilinx products in such critical applications, please refer to Xilinx's Terms of Sale which can be viewed at <https://www.xilinx.com/legal.htm#tos>.

AUTOMOTIVE APPLICATIONS DISCLAIMER

AUTOMOTIVE PRODUCTS (IDENTIFIED AS "XA" IN THE PART NUMBER) ARE NOT WARRANTED FOR USE IN THE DEPLOYMENT OF AIRBAGS OR FOR USE IN APPLICATIONS THAT AFFECT CONTROL OF A VEHICLE ("SAFETY APPLICATION") UNLESS THERE IS A SAFETY CONCEPT OR REDUNDANCY FEATURE CONSISTENT WITH THE ISO 26262 AUTOMOTIVE SAFETY STANDARD ("SAFETY DESIGN"). CUSTOMER SHALL, PRIOR TO USING OR DISTRIBUTING ANY SYSTEMS THAT INCORPORATE PRODUCTS, THOROUGHLY TEST SUCH SYSTEMS FOR SAFETY PURPOSES. USE OF PRODUCTS IN A SAFETY APPLICATION WITHOUT A SAFETY DESIGN IS FULLY AT THE RISK OF CUSTOMER, SUBJECT ONLY TO APPLICABLE LAWS AND REGULATIONS GOVERNING LIMITATIONS ON PRODUCT LIABILITY.

Copyright

© Copyright 2012-2021 Xilinx, Inc. Xilinx, the Xilinx logo, Alveo, Artix, Kintex, Spartan, Versal, Virtex, Vivado, Zynq, and other designated brands included herein are trademarks of Xilinx in the United States and other countries. All other trademarks are the property of their respective owners.