

# **LogiCORE IP AXI Bridge for PCI Express v1.05a**

## ***Product Guide***

**PG055 October 16, 2012**

# Table of Contents

## SECTION I: SUMMARY

### IP Facts

#### Chapter 1: Overview

Feature Summary . . . . .	7
Limitations . . . . .	7
Licensing and Ordering Information . . . . .	7

#### Chapter 2: Product Specification

Standards . . . . .	9
Performance . . . . .	10
Resource Utilization . . . . .	12
Port Descriptions . . . . .	13
Bridge Parameters . . . . .	16
Parameter Dependencies . . . . .	23
Memory Map . . . . .	27

#### Chapter 3: Designing with the Core

General Design Guidelines . . . . .	44
Clocking . . . . .	44
Resets . . . . .	45
AXI Transactions for PCIe . . . . .	46
Transaction Ordering for PCIe . . . . .	47
Address Translation . . . . .	48
Interrupts . . . . .	52
Malformed TLP . . . . .	54
Abnormal Conditions . . . . .	54
Root Port . . . . .	58

## SECTION II: VIVADO DESIGN SUITE

### Chapter 4: Customizing and Generating the Core

Graphical User Interface .....	62
--------------------------------	----

### Chapter 5: Constraining the Core

Required Constraints .....	74
System Integration .....	74
Placement Constraints .....	75
Clock Frequencies .....	76

## SECTION III: ISE DESIGN SUITE

### Chapter 6: Constraining the Core

Required Constraints .....	78
System Integration .....	78
Placement Constraints .....	79

## SECTION IV: APPENDICES

### Appendix A: Migrating

### Appendix B: Debugging

### Appendix C: Additional Resources

Xilinx Resources .....	85
Solution Centers .....	85
References .....	85
Technical Support .....	86
Revision History .....	86
Notice of Disclaimer .....	87

# SECTION I: SUMMARY

IP Facts

Overview

Product Specification

Designing with the Core

## Introduction

The Advanced eXtensible Interface (AXI) Root Port/Endpoint (RP/EP) Bridge for PCI Express® is an interface between the AXI4 and PCI Express. Definitions and references are provided in this document for all of the functional modules, registers, and interfaces that are implemented in the AXI Bridge for PCI Express. Definitions are also provided for the hardware implementation and software interfaces to the AXI Bridge for PCI Express in the Field Programmable Gate Array (FPGA).

## Features

- Zynq™-7000, Kintex™-7, Virtex®-7, Artix™-7, Virtex-6, and Spartan®-6 FPGA Integrated Blocks for PCI Express
- Kintex-7/Virtex-7/Artix-7 FPGA x1, x2, x4, x8 Gen1 and x1, x2, x4 Gen2
- Virtex-6 FPGA x1, x2, x4 Gen1 and x1, x2 Gen2
- Spartan-6 FPGA x1 Gen1
- Maximum Payload Size (MPS) up to 256 bytes
- Multiple Vector Messaged Signaled Interrupts (MSIs)
- Legacy interrupt support
- Memory-mapped AXI4 access to PCIe® space
- PCIe access to memory-mapped AXI4 space
- Tracks and manages Transaction Layer Packets (TLPs) completion processing
- Detects and indicates error conditions with interrupts
- Optimal AXI4 pipeline support for enhanced performance
- Compliant with Advanced RISC Machine (ARM®) Advanced Microcontroller Bus Architecture 4 (AMBA®) AXI4 specification
- Supports up to three PCIe 32-bit or 64-bit PCIe Base Address Registers (BARs) as Endpoint
- Supports a single PCIe 32-bit or 64-bit BAR as Root Port

LogiCORE IP Facts Table	
<b>Core Specifics</b>	
Supported Device Family <sup>(1)</sup>	Zynq-7000 <sup>(2)</sup> , Kintex-7, Virtex-7, Artix-7, Virtex-6, Spartan-6
Supported User Interfaces	AXI4
Resources	See <a href="#">Table 2-4</a> .
<b>Provided with Core</b>	
Design Files	ISE: VHDL and Verilog Vivado: VHDL and Verilog
Example Design	Use Base System Builder (BSB) in EDK
Test Bench	Not Provided
Constraints File	ISE: UCF (Tcl generated) Vivado: XDC (Tcl generated) BSB: UCF and XDC
Simulation Model	Not Provided
Supported S/W Driver <sup>(3)</sup>	Standalone and Linux
<b>Tested Design Flows<sup>(4)</sup></b>	
Design Entry	Xilinx Platform Studio (XPS) v14.3 Vivado™ Design Suite <sup>(5)</sup> v2012.3
Simulation	Mentor Graphics ModelSim
Synthesis	Xilinx Synthesis Technology (XST) Vivado Synthesis
<b>Support</b>	
Provided by Xilinx @ <a href="http://www.xilinx.com/support">www.xilinx.com/support</a>	

### Notes:

1. For a complete list of supported derivative devices, see [Embedded Edition Derivative Device Support](#).
2. Supported in ISE® Design Suite implementations only.
3. Standalone driver details can be found in the EDK or SDK directory (<install\_directory>/doc/usenglish/xilinx\_drivers.htm). Linux OS and driver support information is available from [//wiki.xilinx.com](http://wiki.xilinx.com).
4. For the supported versions of the tools, see the [Xilinx Design Tools: Release Notes Guide](#).
5. Supports only 7 series devices.

# Overview

The LogiCORE™ IP AXI Bridge for PCI Express® (PCIe®) core is designed for the Xilinx® Embedded Development Kit (EDK) with Xilinx Platform Studio (XPS) or Vivado™ Design Suite tool flow. The AXI Bridge for PCIe provides an interface between an AXI4 customer user interface and PCI Express using the Xilinx Integrated Block for PCI Express. The AXI Bridge for PCIe provides the translation level between the AXI4 memory-mapped embedded system to the PCI Express system. The AXI Bridge for PCIe translates the AXI4 memory read or writes to PCIe Transaction Layer Packets (TLP) packets and translates PCIe memory read and write request TLP packets to AXI4 interface commands.

The architecture of the AXI Bridge for PCI Express is shown in [Figure 1-1](#).

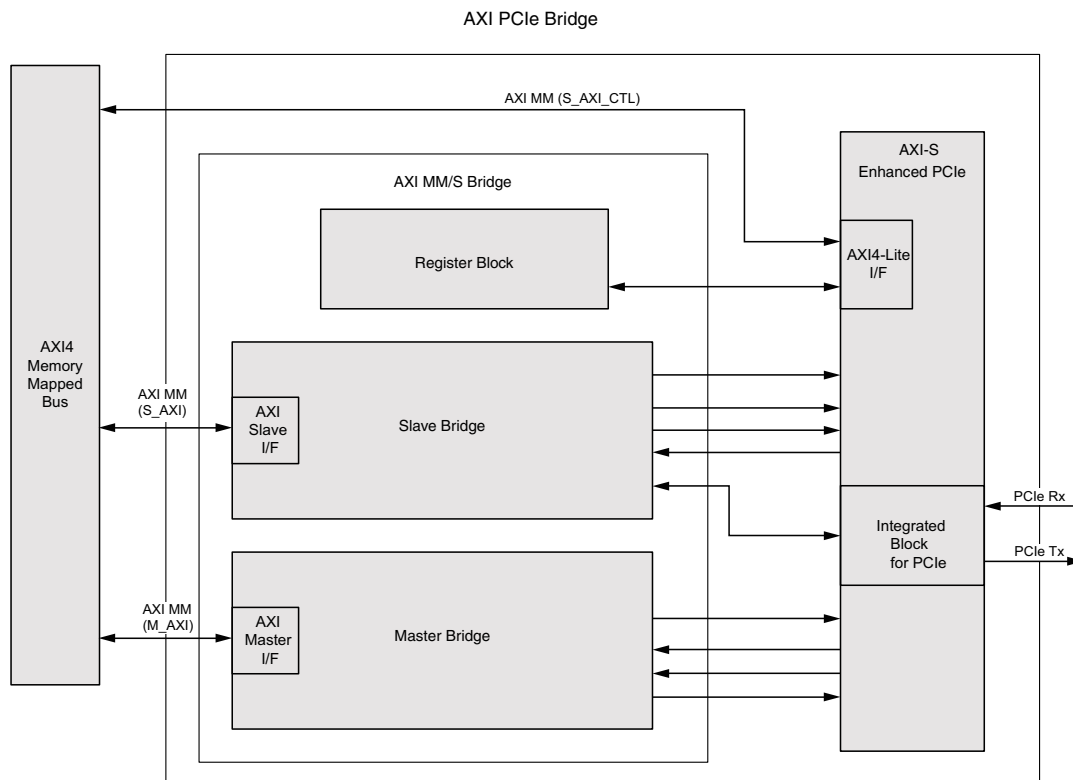


Figure 1-1: High-Level AXI Bridge for PCI Express Architecture

---

## Feature Summary

The AXI Bridge for PCI Express core is an interface between the AXI4 and PCI Express. It contains the memory mapped AXI4 to AXI4-Stream Bridge and the AXI4-Stream Enhanced Interface Block for PCIe. The memory-mapped AXI4 to AXI4-Stream Bridge contains a register block and two functional half bridges, referred to as the Slave Bridge and Master Bridge. The Slave Bridge connects to the AXI4 Interconnect as a slave device to handle any issued AXI4 master read or write requests. The Master Bridge connects to the AXI4 Interconnect as a master to process the PCIe generated read or write TLPs. The core uses a set of interrupts to detect and flag error conditions.

The AXI Bridge for PCI Express supports both Root Port and Endpoint configurations. When configured as an Endpoint, the AXI Bridge for PCIe supports up to three 32-bit or 64-bit PCIe Base Address Registers (BARs). When configured as an Root Port, the core supports a single 32-bit or 64-bit PCIe BAR.

The AXI Bridge for PCI Express is compliant with the *PCI Express Base Specification v2.0* [Ref 4] and with the AMBA® 4 AXI4 specification [Ref 3].

---

## Limitations

### Reference Clock for PCIe Frequency Value

The REFCLK input used by the serial transceiver for PCIe must be 100 MHz or 125 MHz for Spartan-6 device configurations, and 100 MHz or 250 MHz for Virtex®-6, 7 series, and Zynq™-7000 device configurations. The C\_REF\_CLK\_FREQ parameter is used to set this value, as defined in [Table 2-6, page 16](#).

---

## Licensing and Ordering Information

This Xilinx LogiCORE IP module is provided at no additional cost with the Xilinx Vivado Design Suite and ISE® Design Suite Embedded Edition tools under the terms of the [Xilinx End User License](#).

Information about this and other Xilinx LogiCORE IP modules is available at the [Xilinx Intellectual Property](#) page. For information on pricing and availability of other Xilinx LogiCORE IP modules and tools, contact your [local Xilinx sales representative](#).

For more information, visit the AXI Bridge for PCI Express [product page](#).

# Product Specification

Figure 2-1 shows the architecture of the LogiCORE™ IP AXI Bridge for PCI Express®.

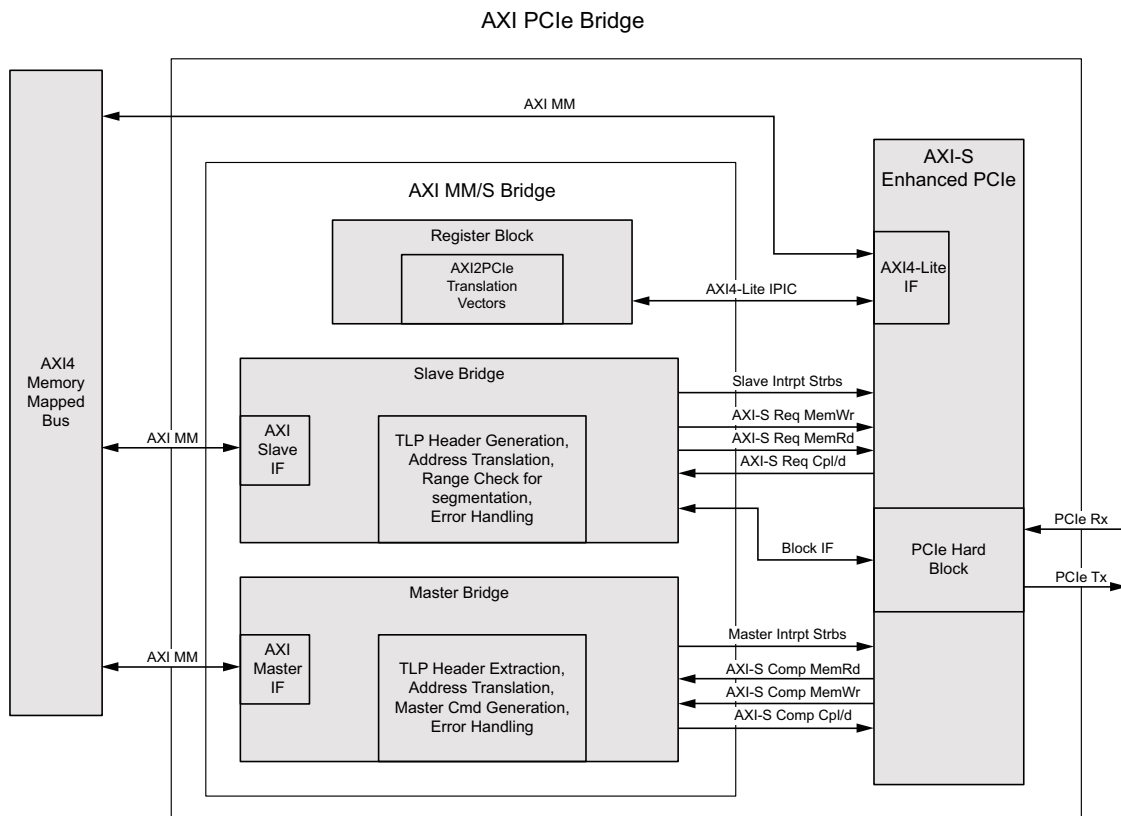


Figure 2-1: AXI Bridge for PCI Express Architecture

The Register block contains registers used in the AXI Bridge for PCI Express for dynamically mapping the AXI4 MM address range provided using AXIBAR parameters to an address for PCIe® range.

The Slave Bridge provides termination of memory-mapped AXI4 transactions from an AXI master device (such as a processor). The Slave Bridge provides a way to translate addresses that are mapped within the AXI Memory Mapped address domain to the domain addresses for PCIe. When a remote AXI master initiates a write transaction to the Slave Bridge, the write address and qualifiers are captured and write data is queued in a First In First Out (FIFO). These are then converted into one or more MemWr TLPs, depending on the



configured Max Payload Size setting, which are passed to the Integrated Block for PCI Express.

A second remote AXI master initiated write request write address and qualifiers can then be captured and the associated write data queued, pending the completion of the previous write TLP transfer to the integrated block for PCI Express. The resulting AXI Slave Bridge write pipeline is two-deep.

When a remote AXI master initiates a read transaction to the Slave Bridge, the read address and qualifiers are captured and a MemRd request TLP is passed to the integrated block for PCI Express and a completion timeout timer is started. Completions received through the integrated block for PCI Express are correlated with pending read requests and read data is returned to the AXI master. The Slave bridge is capable of handling up to eight memory mapped AXI4 read requests with pending completions.

The Master Bridge processes both PCIe MemWr and MemRd request TLPs received from the integrated block for PCI Express and provides a means to translate addresses that are mapped within the address for PCIe domain to the memory-mapped AXI4 address domain. Each PCIe MemWr request TLP header is used to create an address and qualifiers for the memory-mapped AXI4 bus and the associated write data is passed to the addressed memory mapped AXI4 Slave. The Master Bridge can support up to four active PCIe MemWr request TLPs.

Each PCIe MemRd request TLP header is used to create an address and qualifiers for the memory-mapped AXI4 bus. Read data is collected from the addressed memory mapped AXI4 Slave and used to generate completion TLPs which are then passed to the integrated block for PCI Express. The Master bridge can handle up to four read requests with pending completions for improved AXI4 pipelining performance.

The instantiated AXI4-Stream Enhanced PCIe block contains submodules including the Requester/Completer interfaces to the AXI bridge and the Register block. The Register block contains the status, control, interrupt registers, and the AXI4-Lite interface.

---

## Standards

The AXI PCIe core is compliant with the *ARM® AMBA® 4 AXI4 Specification*[Ref 3] and the *PCI Express Base Specification v2.0*[Ref 4].

# Performance

Figure 2-2 shows a configuration diagram for a target FPGA.

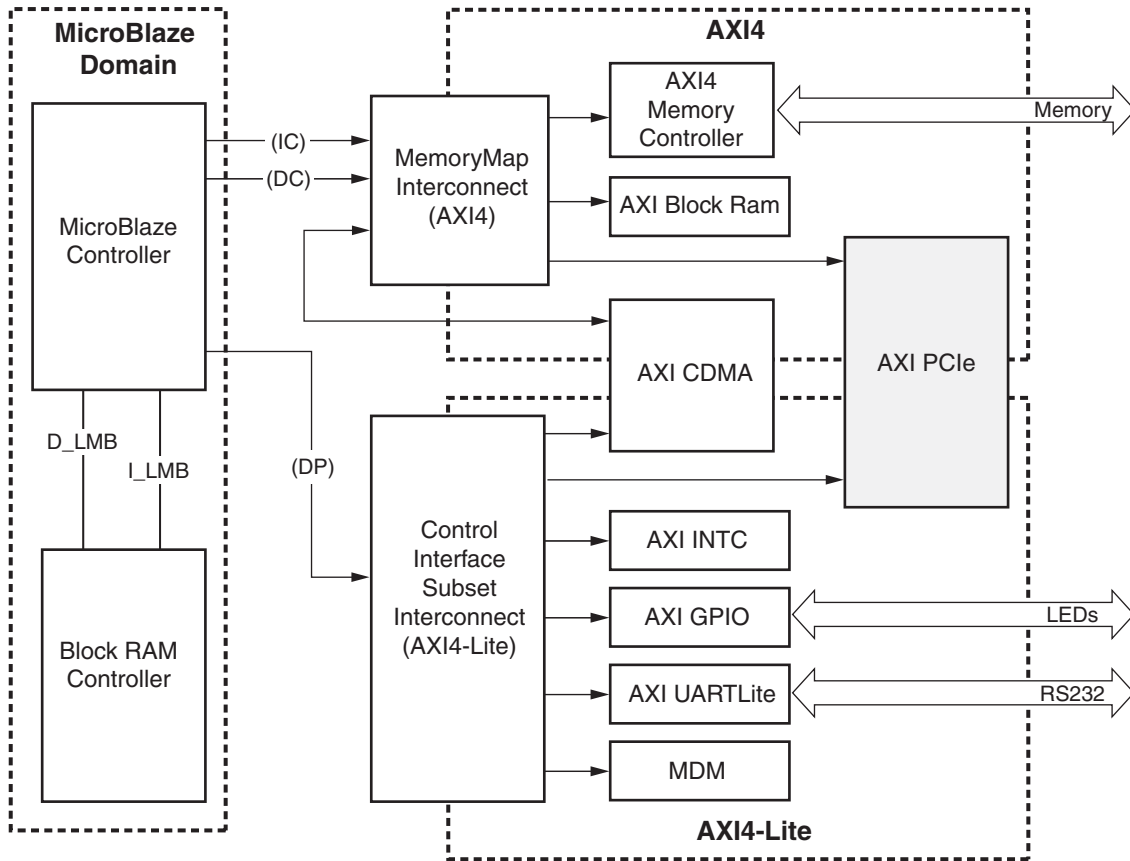


Figure 2-2: FPGA System Configuration Diagram

The target FPGA is filled with logic to drive the Lookup Table (LUT) and block RAM utilization to approximately 70% and the I/O utilization to approximately 80%. The data shown in Table 2-1 is obtained using the default tool options and the slowest speed grade for the target FPGA.

Table 2-1: System Performance

Target FPGA	Target F <sub>MAX</sub> (MHz)		
	AXI4	AXI4-Lite	MicroBlaze Processor
XC6SLX45T <sup>(1)</sup>	90 MHz	120 MHz	80 MHz

Table 2-1: System Performance (Cont'd)

Target FPGA	Target F <sub>MAX</sub> (MHz)		
	AXI4	AXI4-Lite	MicroBlaze Processor
XC6VLX240T <sup>(2)</sup>	135 MHz	180 MHz	135 MHz

**Notes:**

1. Spartan®-6 FPGA LUT utilization: 70%; block RAM utilization: 70%; I/O utilization: 80%; MicroBlaze™ processor not AXI4 interconnect; AXI4 interconnect configured with a single clock of 120 MHz.
2. Virtex®-6 FPGA LUT utilization: 70%; block RAM utilization: 70%; I/O utilization: 80%.
3. Kintex™-7 FPGA results are not shown, but expected to be comparable to Virtex-6 devices.

## Maximum Frequencies

The maximum frequency for the AXI clock is:

- 62.5 MHz for Spartan-6 devices
- 125 MHz for Virtex-6 and 7 series FPGAs

## Throughput

Throughput was measured at Gen1 speeds on both Virtex-6 and Kintex-7 devices configured as 64-bit, x4 (see Table 2-2). All results were measured in a simulation environment.

Table 2-2: Measured Bandwidth on AXI Bridge to PCI Express

Measurement	Throughput
S_AXI Write/Initiator Path	890 MB/s
S_AXI Read/Initiator Path	913 MB/s

## Line Rate Support for PCIe Gen1/Gen2

The link speed, number of lanes supported, and support of line rate for PCIe are defined in Table 2-3. Achieving line rate for PCIe is dependent on the device family, the AXI clock frequency, the AXI data width, the number of lanes, and Gen1 (2.5 GT/s) or Gen2 (5.0 GT/s) link speed.

Table 2-3: Line Rate for PCIe Support for Gen1/Gen2

C_FAMILY	AXI_ACLK Frequency	C_X_AXI_DATA_WIDTH	C_NO_OF_LANES	Gen1 (2.5 GT/s)	Gen2 (5.0 GT/s)
Spartan-6	62.5 MHz	32	x1	Yes	No
Virtex-6, 7 series	125 MHz	64	x1	Yes	Yes
Virtex-6, 7 series	125 MHz	64	x2	Yes	Yes

Table 2-3: Line Rate for PCIe Support for Gen1/Gen2

C_FAMILY	AXI_ACLK Frequency	C_X_AXI_DATA_WIDTH	C_NO_OF_LANES	Gen1 (2.5 GT/s)	Gen2 (5.0 GT/s)
Virtex-6, 7 series	125 MHz	64	x4	Yes	No
Virtex-6	125 MHz	64	x8	No	No
7 series	125 MHz	128	x4	Yes	Yes
7 series	125 MHz	128	x8	Yes	No

## Resource Utilization

Table 2-4 illustrates a subset of IP core configurations and the device utilization estimates. Variation in tools and optimization settings can result in variance of these reported numbers.

**Note:** These utilization values are for ISE® tools only.

Table 2-4: Resource Utilization Summary

Device	Configuration	Slices	Registers	LUTs
Kintex-7	Endpoint x2 Gen1	3600	6300	9050
Kintex-7	Root Port x2 Gen1	4700	8200	10800
Kintex-7	Root Port x2 Gen2	4600	8270	10860
Virtex-6	Endpoint x4 Gen1	3870	6170	9120
Virtex-6	Root Port x4 Gen1	4560	8010	11050
Spartan-6	Endpoint x1 Gen1	2450	3950	5880
Virtex-7	Endpoint x8 Gen1	5300	9160	12620
Artix-7	Endpoint x4 Gen1	4000	6740	9270
Zynq™-7000	Endpoint x4 Gen1	3740	6250	8460

## Port Descriptions

The interface signals for the AXI Bridge for PCI Express are described in [Table 2-5](#).

Table 2-5: Top-Level Interface Signals

Signal Name	I/O	Description
<b>Global Signals</b>		
REFCLK	I	PCIe Reference Clock
AXI_ARESETN	I	Global reset signal for AXI Interfaces
AXI_ACLK	I	Global clock signal for AXI Interfaces
AXI_ACLK_OUT	O	PCIe derived clock output for AXI_ACLK
AXI_CTL_ACLK	I	Global clock signal for AXI CTL Interface
AXI_CTL_ACLK_OUT	O	PCIe derived clock output for AXI_CTL_ACLK
MMCM_LOCK	O	AXI_ACLK_OUT from the axi_enhanced_pcie block is stable
INTERRUPT_OUT	O	Interrupt signal
<b>AXI Slave Interface</b>		
S_AXI_AWID[C_S_AXI_ID_WIDTH-1:0]	I	Slave write address ID
S_AXI_AWADDR[C_S_AXI_ADDR_WIDTH-1:0]	I	Slave address write
S_AXI_AWREGION[3:0]	I	Slave write region decode
S_AXI_AWLEN[7:0]	I	Slave write burst length
S_AXI_AWSIZE[2:0]	I	Slave write burst size
S_AXI_AWBURST[1:0]	I	Slave write burst type
S_AXI_AWVALID	I	Slave address write valid
S_AXI_AWREADY	O	Slave address write ready
S_AXI_WDATA[C_S_AXI_DATA_WIDTH-1:0]	I	Slave write data
S_AXI_WSTRB[C_S_AXI_DATA_WIDTH/8-1:0]	I	Slave write strobe
S_AXI_WLAST	I	Slave write last
S_AXI_WVALID	I	Slave write valid
S_AXI_WREADY	O	Slave write ready
S_AXI_BID[C_S_AXI_ID_WIDTH-1:0]	O	Slave response ID
S_AXI_BRESP[1:0]	O	Slave write response
S_AXI_BVALID	O	Slave write response valid
S_AXI_BREADY	I	Slave response ready
S_AXI_ARID[C_S_AXI_ID_WIDTH-1:0]	I	Slave read address ID
S_AXI_ARADDR[C_S_AXI_ADDR_WIDTH-1:0]	I	Slave read address
S_AXI_ARREGION[3:0]	I	Slave read region decode

Table 2-5: Top-Level Interface Signals (Cont'd)

Signal Name	I/O	Description
S_AXI_ARLEN[7:0]	I	Slave read burst length
S_AXI_ARSIZE[2:0]	I	Slave read burst size
S_AXI_ARBURST[1:0]	I	Slave read burst type
S_AXI_ARVALID	I	Slave read address valid
S_AXI_ARREADY	O	Slave read address ready
S_AXI_RID[C_S_AXI_ID_WIDTH-1:0]	O	Slave read ID tag
S_AXI_RDATA[C_S_AXI_DATA_WIDTH-1:0]	O	Slave read data
S_AXI_RRESP[1:0]	O	Slave read response
S_AXI_RLAST	O	Slave read last
S_AXI_RVALID	O	Slave read valid
S_AXI_RREADY	I	Slave read ready
<b>AXI Master Interface</b>		
M_AXI_AWADDR[C_M_AXI_ADDR_WIDTH-1:0]	O	Master address write
M_AXI_AWLEN[7:0]	O	Master write burst length
M_AXI_AWSIZE[2:0]	O	Master write burst size
M_AXI_AWBURST[1:0]	O	Master write burst type
M_AXI_AWPROT[2:0]	O	Master write protection type
M_AXI_AWVALID	O	Master write address valid
M_AXI_AWREADY	I	Master write address ready
M_AXI_WDATA[C_M_AXI_DATA_WIDTH-1:0]	O	Master write data
M_AXI_WSTRB[C_M_AXI_DATA_WIDTH/8-1:0]	O	Master write strobe
M_AXI_WLAST	O	Master write last
M_AXI_WVALID	O	Master write valid
M_AXI_WREADY	I	Master write ready
M_AXI_BID	I	Master response ID
M_AXI_BRESP[1:0]	I	Master write response
M_AXI_BVALID	I	Master write response valid
M_AXI_BREADY	O	Master response ready
M_AXI_ARADDR[C_M_AXI_ADDR_WIDTH-1:0]	O	Master read address
M_AXI_ARLEN[7:0]	O	Master read burst length
M_AXI_ARSIZE[2:0]	O	Master read burst size
M_AXI_ARBURST[1:0]	O	Master read burst type
M_AXI_ARPROT[2:0]	O	Master read protection type
M_AXI_ARVALID	O	Master read address valid
M_AXI_ARREADY	I	Master read address ready

Table 2-5: Top-Level Interface Signals (Cont'd)

Signal Name	I/O	Description
M_AXI_RID[3:0]	I	Master read ID tag
M_AXI_RDATA[C_M_AXI_DATA_WIDTH-1:0]	I	Master read data
M_AXI_RRESP[1:0]	I	Master read response
M_AXI_RLAST	I	Master read last
M_AXI_RVALID	I	Master read valid
M_AXI_RREADY	O	Master read ready
<b>AXI4-Lite Control Interface</b>		
S_AXI_CTL_AWADDR[31:0]	I	Slave write address
S_AXI_CTL_AWVALID	I	Slave write address valid
S_AXI_CTL_AWREADY	O	Slave write address ready
S_AXI_CTL_WDATA[31:0]	I	Slave write data
S_AXI_CTL_WSTRB[3:0]	I	Slave write strobe
S_AXI_CTL_WVALID	I	Slave write valid
S_AXI_CTL_WREADY	O	Slave write ready
S_AXI_CTL_BRESP[1:0]	O	Slave write response
S_AXI_CTL_BVALID	O	Slave write response valid
S_AXI_CTL_BREADY	I	Slave response ready
S_AXI_CTL_ARADDR[31:0]	I	Slave read address
S_AXI_CTL_ARVALID	I	Slave read address valid
S_AXI_CTL_ARREADY	O	Slave read address ready
S_AXI_CTL_RDATA[31:0]	O	Slave read data
S_AXI_CTL_RRESP[1:0]	O	Slave read response
S_AXI_CTL_RVALID	O	Slave read valid
S_AXI_CTL_RREADY	I	Slave read ready
<b>MSI Signals</b>		
INTX_MSI_Request	I	Legacy Interrupt Input (see C_INTERRUPT_PIN) when MSI_enable = '0'. Initiates a MSI write request when MSI_enable = '1'.
MSI_enable	O	Indicates when MSI is enabled
MSI_Vector_Num [4:0]	I	Indicates MSI vector to send when writing a MSI write request.
MSI_Vector_Width [2:0]	O	Indicates the size of the MSI field (the number of MSI vectors allocated to the device).
<b>PCIe Interface</b>		
PCI_EXP_RXP[C_NO_OF_LANES-1: 0]	I	PCIe RX serial interface
PCI_EXP_RXN[C_NO_OF_LANES-1: 0]	I	PCIe RX serial interface

Table 2-5: Top-Level Interface Signals (Cont'd)

Signal Name	I/O	Description
PCI_EXP_TXP[C_NO_OF_LANES-1: 0]	O	PCIe TX serial interface
PCI_EXP_TXN[C_NO_OF_LANES-1:0]	O	PCIe TX serial interface

## Bridge Parameters

Because many features in the AXI Bridge for PCI Express design can be parameterized, you are able to uniquely tailor the implementation of the AXI Bridge for PCIe using only the resources required for the desired functionality. This approach also achieves the best possible performance with the lowest resource usage.

The parameters defined for the AXI Bridge for PCI Express are shown in [Table 2-6](#).

Table 2-6: Top-Level Parameters

Generic	Parameter Name	Description	Allowable Values	Default Value	VHDL Type
<b>Bridge Parameters</b>					
G1	C_FAMILY	Target FPGA Family	virtex6, spartan6, kintex7, virtex7, artix7, zynq	virtex6	String
G2	C_INCLUDE_RC	Configures the AXI bridge for PCIe to be a Root Port or an Endpoint	0: Endpoint 1: Root Port (applies only for Virtex-6, 7 series, and Zynq-7000 devices)	0	Integer
G3	C_COMP_TIMEOUT	Selects the Slave Bridge completion timeout counter value	0: 50 $\mu$ s 1: 50 ms	0	Integer
G4	C_INCLUDE_BAROFFSET_REG	Include the registers for high-order bits to be substituted in translation in Slave Bridge	0: Exclude 1: Include	0	Integer
G5	C_SUPPORTS_NARROW_BURST	Instantiates internal logic to support narrow burst transfers. Only enable when AXI master bridge generates narrow burst traffic.	0: Not supported 1: Supported	0	Integer



Table 2-6: Top-Level Parameters (Cont'd)

Generic	Parameter Name	Description	Allowable Values	Default Value	VHDL Type
G6	C_AXIBAR_NUM	Number of AXI address apertures that can be accessed	1-6; 1: BAR_0 enabled 2: BAR_0, BAR_1 enabled 3: BAR_0, BAR_1, BAR_2 enabled 4: BAR_0 through BAR_3 enabled 5: BAR_0 through BAR_4 enabled 6: BAR_0 through BAR_5 enabled	6	Integer
G7	C_AXIBAR_0	AXI BAR_0 aperture low address	Valid AXI address <sup>(1)(3)(4)</sup>	0xFFFF_FFFF	std_logic_vector
G8	C_AXIBAR_HIGHADDR_0	AXI BAR_0 aperture high address	Valid AXI address <sup>(1)(3)(4)</sup>	0x0000_0000	std_logic_vector
G9	C_AXIBAR_AS_0	AXI BAR_0 address size	0: 32 bit 1: 64 bit	0	Integer
G10	C_AXIBAR2PCIEBAR_0	PCIe BAR to which AXI BAR_0 is mapped	Valid address for PCIe <sup>(2)</sup>	0xFFFF_FFFF	std_logic_vector
G11	C_AXIBAR_1	AXI BAR_1 aperture low address	Valid AXI address <sup>(1)(3)(4)</sup>	0xFFFF_FFFF	std_logic_vector
G12	C_AXIBAR_HIGHADDR_1	AXI BAR_1 aperture high address	Valid AXI address <sup>(1)(3)(4)</sup>	0x0000_0000	std_logic_vector
G13	C_AXIBAR_AS_1	AXI BAR_1 address size	0: 32 bit 1: 64 bit	0	Integer
G14	C_AXIBAR2PCIEBAR_1	PCIe BAR to which AXI BAR_1 is mapped	Valid address for PCIe <sup>(2)</sup>	0xFFFF_FFFF	std_logic_vector
G15	C_AXIBAR_2	AXI BAR_2 aperture low address	Valid AXI address <sup>(1)(3)(4)</sup>	0xFFFF_FFFF	std_logic_vector
G16	C_AXIBAR_HIGHADDR_2	AXI BAR_2 aperture high address	Valid AXI address <sup>(1)(3)(4)</sup>	0x0000_0000	std_logic_vector
G17	C_AXIBAR_AS_2	AXI BAR_2 address size	0: 32 bit 1: 64 bit	0	Integer
G18	C_AXIBAR2PCIEBAR_2	PCIe BAR to which AXI BAR_2 is mapped	Valid address for PCIe <sup>(2)</sup>	0xFFFF_FFFF	std_logic_vector
G19	C_AXIBAR_3	AXI BAR_3 aperture low address	Valid AXI address <sup>(1)(3)(4)</sup>	0xFFFF_FFFF	std_logic_vector
G20	C_AXIBAR_HIGHADDR_3	AXI BAR_3 aperture high address	Valid AXI address <sup>(1)(3)(4)</sup>	0x0000_0000	std_logic_vector

Table 2-6: Top-Level Parameters (Cont'd)

Generic	Parameter Name	Description	Allowable Values	Default Value	VHDL Type
G21	C_AXIBAR_AS_3	AXI BAR_3 address size	0: 32 bit 1: 64 bit	0	Integer
G22	C_AXIBAR2PCIEBAR_3	PCIe BAR to which AXI BAR_3 is mapped	Valid address for PCIe <sup>(2)</sup>	0xFFFF_FFFF	std_logic_vector
G23	C_AXIBAR_4	AXI BAR_4 aperture low address	Valid AXI address <sup>(1)(3)(4)</sup>	0xFFFF_FFFF	std_logic_vector
G24	C_AXIBAR_HIGHADDR_4	AXI BAR_4 aperture high address	Valid AXI address <sup>(1)(3)(4)</sup>	0x0000_0000	std_logic_vector
G25	C_AXIBAR_AS_4	AXI BAR_4 address size	0: 32 bit 1: 64 bit	0	Integer
G26	C_AXIBAR2PCIEBAR_4	PCIe BAR to which AXI BAR_4 is mapped	Valid address for PCIe <sup>(2)</sup>	0xFFFF_FFFF	std_logic_vector
G27	C_AXIBAR_5	AXI BAR_5 aperture low address	Valid AXI address <sup>(1)(3)(4)</sup>	0xFFFF_FFFF	std_logic_vector
G28	C_AXIBAR_HIGHADDR_5	AXI BAR_5 aperture high address	Valid AXI address <sup>(1)(3)(4)</sup>	0x0000_0000	std_logic_vector
G29	C_AXIBAR_AS_5	AXI BAR_5 address size	0: 32 bit 1: 64 bit	0	Integer
G30	C_AXIBAR2PCIEBAR_5	PCIe BAR to which AXI BAR_5 is mapped	Valid address for PCIe <sup>(2)</sup>	0xFFFF_FFFF	std_logic_vector
G31	C_PCIEBAR_NUM	Number of address for PCIe apertures that can be accessed	1-3; 1: BAR_0 enabled 2: BAR_0, BAR_1 enabled 3: BAR_0, BAR_1, BAR_2 enabled	3	Integer

Table 2-6: Top-Level Parameters (Cont'd)

Generic	Parameter Name	Description	Allowable Values	Default Value	VHDL Type
G32	C_PCIEBAR_AS	Configures PCIEBAR aperture width to be 32 bits wide or 64 bits wide	<p>0: Generates three 32-bit PCIEBAR address apertures. 32-bit BAR example: PCIEBAR_0 is 32 bits PCIEBAR_1 is 32 bits PCIEBAR_2 is 32 bits</p> <p>1: Generates three 64 bit PCIEBAR address apertures. 64-bit BAR example: PCIEBAR_0 and PCIEBAR_1 concatenate to comprise 64-bit PCIEBAR_0.  PCIEBAR_2 and PCIEBAR_3 concatenate to comprise 64-bit PCIEBAR_1.  PCIEBAR_4 and PCIEBAR_5 concatenate to comprise 64-bit PCIEBAR_2</p>	1	Integer
G33	C_PCIEBAR_LEN_0	Power of 2 in the size of bytes of PCIE BAR_0 space	13-31	16	Integer
G34	C_PCIEBAR2AXIBAR_0	AXI BAR to which PCIE BAR_0 is mapped	Valid AXI address	0x0000_0000	std_logic_vector
	C_PCIEBAR2AXIBAR_0_SEC	Defines the AXI BAR memory space (PCIE BAR_0) (accessible from PCIE) to be either secure or non-secure memory mapped.	<p>0: Denotes a non-secure memory space 1: Marks the AXI memory space as secure</p>	0	Integer
G35	C_PCIEBAR_LEN_1	Power of 2 in the size of bytes of PCIE BAR_1 space	13-31	16	Integer
G36	C_PCIEBAR2AXIBAR_1	AXI BAR to which PCIE BAR_1 is mapped	Valid AXI address	0x0000_0000	std_logic_vector

Table 2-6: Top-Level Parameters (Cont'd)

Generic	Parameter Name	Description	Allowable Values	Default Value	VHDL Type
	C_PCIEBAR2AXIBAR_1_SEC	Defines the AXI BAR memory space (PCIe BAR_1) (accessible from PCIe) to be either secure or non-secure memory mapped.	0: Denotes a non-secure memory space 1: Marks the AXI memory space as secure	0	Integer
G37	C_PCIEBAR_LEN_2	Power of 2 in the size of bytes of PCIe BAR_2 space	13-31	16	Integer
G38	C_PCIEBAR2AXIBAR_2	AXI BAR to which PCIe BAR_2 is mapped	Valid AXI address	0x0000_0000	std_logic_vector
	C_PCIEBAR2AXIBAR_2_SEC	Defines the AXI BAR memory space (PCIe BAR_2) (accessible from PCIe) to be either secure or non-secure memory mapped.	0: Denotes a non-secure memory space 1: Marks the AXI memory space as secure	0	Integer
<b>AXI4-Lite Parameters</b>					
G39	C_BASEADDR	Device base address	Valid AXI address	0xFFFF_FFFF	std_logic_vector
G40	C_HIGHADDR	Device high address	Valid AXI address	0x0000_0000	std_logic_vector
	C_S_AXI_CTL_PROTOCOL	AXI4-Lite port connection definition to AXI Interconnect and EDK system	AXI4LITE	AXI4LITE	string
<b>Core for PCIe Configuration Parameters</b>					
G41	C_NO_OF_LANES	Number of PCIe Lanes	1: Spartan-6 FPGAs 1, 2, 4: Virtex-6 FPGAs 1, 2, 4, 8: 7 series FPGAs	1	integer
G42	C_DEVICE_ID	Device ID	16-bit vector	0x0000	std_logic_vector
G43	C_VENDOR_ID	Vendor ID	16-bit vector	0x0000	std_logic_vector
G44	C_CLASS_CODE	Class Code	24-bit vector	0x00_0000	std_logic_vector
G45	C_REV_ID	Rev ID	8-bit vector	0x00	std_logic_vector
G46	C_SUBSYSTEM_ID	Subsystem ID	16-bit vector	0x0000	std_logic_vector

Table 2-6: Top-Level Parameters (Cont'd)

Generic	Parameter Name	Description	Allowable Values	Default Value	VHDL Type
G47	C_SUBSYSTEM_VENDOR_ID	Subsystem Vendor ID	16-bit vector	0x0000	std_logic_vector
	C_PCIE_USE_MODE	Specifies PCIe use mode for underlying serial transceiver wrapper usage/configuration (specific only to 7 series). This parameter ignored for Zynq-7000 devices (set to "3.0").	See <a href="#">Table 2-8</a> . 1.0: For Kintex-7 325T IES (initial ES) silicon 1.1: For Virtex-7 485T IES (initial ES) silicon 3.0: For GES (general ES) silicon	1.0	string
G48	C_PCIE_CAP_SLOT_IMPLEMENTED	PCIe Capabilities Register Slot Implemented	0: Not add-in card slot 1: Downstream port is connected to add-in card slot (valid only for Root Complex)	0	integer
G49	C_REF_CLK_FREQ	REFCLK input Frequency	0: 100 MHz 1: 125 MHz - Spartan-6 FPGAs only 2: 250 MHz - Virtex-6 or 7 series FPGAs only	0	integer
	C_NUM_MSI_REQ	Specifies the size of the MSI request vector for selecting the number of requested message values.	0-5	0	integer
<b>Memory Mapped AXI4 Parameters</b>					
G50	C_M_AXI_DATA_WIDTH	AXI Master Bus Data width	32: Spartan-6 FPGAs only 64: Virtex-6 or 7 series FPGAs only 128: 7 series FPGAs only	64	integer
G51	C_M_AXI_ADDR_WIDTH	AXI Master Bus Address width	32	32	integer
G52	C_S_AXI_ID_WIDTH	AXI Slave Bus ID width	4	4	integer
G53	C_S_AXI_DATA_WIDTH	AXI Slave Bus Data width	32: Spartan-6 FPGAs only 64: Virtex-6 or 7 series FPGAs only 128: 7 series FPGAs only	64	integer
G54	C_S_AXI_ADDR_WIDTH	AXI Slave Bus Address width	32	32	integer

Table 2-6: Top-Level Parameters (Cont'd)

Generic	Parameter Name	Description	Allowable Values	Default Value	VHDL Type
	C_M_AXI_PROTOCOL	Protocol definition for M_AXI (Master Bridge) port on AXI Interconnect in EDK system	AXI4	AXI4	string
	C_S_AXI_PROTOCOL	Protocol definition for S_AXI (Slave Bridge) port on AXI Interconnect in EDK system.	AXI4	AXI4	string
G55	C_MAX_LINK_SPEED	Maximum PCIe link speed supported	0: 2.5 GT/s - Spartan-6, Virtex-6, or 7 series 1: 5.0 GT/s - Virtex-6 or 7 series only	0	integer
G56	C_INTERRUPT_PIN	Legacy INTX pin support/select	0: No INTX support (setting for Root Port) 1: INTA selected (only allowable when core in Endpoint configuration)	0	integer
<b>AXI4 Interconnect Parameters</b>					
G57	C_INTERCONNECT_S_AXI_WRITE_ACCEPTANCE <sup>(5)</sup>	AXI Interconnect Slave Port Write Pipeline Depth	1: Only one active AXI AWADDR can be accepted in the AXI slave bridge for PCIe 2: Maximum of two active AXI AWADDR values can be stored in AXI slave bridge for PCIe	2	integer
G58	C_INTERCONNECT_S_AXI_READ_ACCEPTANCE <sup>(5)</sup>	AXI Interconnect Slave Port Read Pipeline Depth	1: Only one active AXI ARADDR can be accepted in AXI slave bridge PCIe 2, 4, 8: Size of pipeline for active AXI ARADDR values to be stored in AXI slave bridge PCIe A value of 8 is not allowed for 128-bit core (Gen2 7 series) configurations. The maximum setting of this parameter value is 4.	8	integer
G59	C_INTERCONNECT_M_AXI_WRITE_ISSUING <sup>(5)</sup>	AXI Interconnect Master Bridge write address issue depth	1, 2, 4: Number of actively issued AXI AWADDR values on the AXI Interconnect to the target slave device(s).	4	integer

Table 2-6: Top-Level Parameters (Cont'd)

Generic	Parameter Name	Description	Allowable Values	Default Value	VHDL Type
G60	C_INTERCONNECT_M_AXI_READ_ISSUING <sup>(5)</sup>	AXI Interconnect Master Bridge read address issue depth	1, 2, 4: Number of actively issued AXI ARADDR values on the AXI Interconnect to the target slave device(s).	4	integer

1. This is a 32-bit address.
2. The width of this should match the address size (C\_AXIBAR\_AS) for this BAR.
3. The range specified must comprise a complete, contiguous power of two range, such that the range =  $2^n$  and the  $n$  least significant bits of the Base Address are zero. The address value is a 32-bit AXI address.
4. The difference between C\_AXIBAR\_n and C\_AXIBAR\_HIGHADDR\_n must be less than or equal to 0x7FFF\_FFFF and greater than or equal to 0x0000\_1FFF.
5. It is not recommended to edit these default values on the AXI bridge for PCIe IP unless resource utilization needs to be reduced which impacts the AXI bridge performance.

## Parameter Dependencies

Table 2-7 lists the parameter dependencies.

Table 2-7: Parameter Dependencies

Generic	Parameter	Affects	Depends	Description
<b>Bridge Parameters</b>				
G1	C_FAMILY	G2, G41, G49, G55		
G2	C_INCLUDE_RC		G1	Meaningful only if G1 = Kintex-7. Spartan-6 and Virtex-6 are EP only.
G3	C_COMP_TIMEOUT			
G4	C_INCLUDE_BAROFFSET_REG	G10, G14, G18, G22, G26, G30	G6	If G4 = 0, then G10, G14, G18, G22, G26 and G30 have no meaning. The number of registers included is set by G6.
G5	C_SUPPORTS_NARROW_BURST			
G6	C_AXIBAR_NUM	G4, G7 - G30		If G6 = 1, then G7 - G10 are enabled. If G6 = 2, then G7 - G14 are enabled. If G6 = 3, then G7 - G18 are enabled. If G6 = 4, then G7 - G22 are enabled. If G6 = 5, then G7 - G26 are enabled. If G6 = 6, then G7 - G30 are enabled.
G7	C_AXIBAR_0	G8	G6, G8	G7 and G8 define the range in AXI memory space that is responded to by this device (AXI BAR)

Table 2-7: Parameter Dependencies (Cont'd)

Generic	Parameter	Affects	Depends	Description
G8	C_AXIBAR_HIGHADDR_0	G7	G6, G7	G7 and G8 define the range in AXI memory space that is responded to by this device (AXI BAR)
G9	C_AXIBAR_AS_0		G6	
G10	C_AXIBAR2PCIEBAR_0		G4, G6	Meaningful when G4 = 1.
G11	C_AXIBAR_1	G12	G12	G11 and G12 define the range in AXI-memory space that is responded to by this device (AXIBAR)
G12	C_AXIBAR_HIGHADDR_1	G11	G6, G11	G11 and G12 define the range in AXI-memory space that is responded to by this device (AXIBAR)
G13	C_AXIBAR_AS_1		G6	
G14	C_AXIBAR2PCIEBAR_1		G4, G6	Meaningful when G4 = 1.
G15	C_AXIBAR_2	G16	G16	G15 and G16 define the range in AXI-memory space that is responded to by this device (AXIBAR)
G16	C_AXIBAR_HIGHADDR_2	G15	G6, G15	G15 and G16 define the range in AXI-memory space that is responded to by this device (AXIBAR)
G17	C_AXIBAR_AS_2		G6	
G18	C_AXIBAR2PCIEBAR_2		G4, G6	Meaningful when G4 = 1.
G19	C_AXIBAR_3	G20	G20	G19 and G20 define the range in AXI-memory space that is responded to by this device (AXIBAR)
G20	C_AXIBAR_HIGHADDR_3	G19	G6, G19	G19 and G20 define the range in AXI-memory space that is responded to by this device (AXIBAR)
G21	C_AXIBAR_AS_3		G6	
G22	C_AXIBAR2PCIEBAR_3		G4, G6	Meaningful when G4 = 1.
G23	C_AXIBAR_4	G24	G24	G23 and G24 define the range in AXI-memory space that is responded to by this device (AXIBAR)
G24	C_AXIBAR_HIGHADDR_4	G23	G6, G23	G23 and G24 define the range in AXI-memory space that is responded to by this device (AXIBAR)
G25	C_AXIBAR_AS_4		G6	
G26	C_AXIBAR2PCIEBAR_4		G4, G6	Meaningful if G4 = 1.
G27	C_AXIBAR_5	G28	G28	G27 and G28 define the range in AXI-memory space that is responded to by this device (AXIBAR)



Table 2-7: Parameter Dependencies (Cont'd)

Generic	Parameter	Affects	Depends	Description
G28	C_AXIBAR_HIGHADDR_5	G27	G6, G27	G27 and G28 define the range in AXI-memory space that is responded to by this device (AXIBAR)
G29	C_AXIBAR_AS_5		G6	
G30	C_AXIBAR2PCIEBAR_5		G4, G6	Meaningful if G4 = 1.
G31	C_PCIEBAR_NUM	G33-G38		If G31 = 1, then G32, G33 are enabled. If G31 = 2, then G32 - G36 are enabled. If G31 = 3, then G32 - G38 are enabled
G32	C_PCIEBAR_AS			
G33	C_PCIEBAR_LEN_0	G34	G31	
G34	C_PCIEBAR2AXIBAR_0		G31, G33	Only the high-order bits above the length defined by G33 are meaningful.
G35	C_PCIEBAR_LEN_1	G36	G31	
G36	C_PCIEBAR2AXIBAR_1		G31, G35	Only the high-order bits above the length defined by G35 are meaningful.
G37	C_PCIEBAR_LEN_2	G38	G31	
G38	C_PCIEBAR2AXIBAR_2		G31, G37	Only the high-order bits above the length defined by G37 are meaningful.

Table 2-7: Parameter Dependencies (Cont'd)

Generic	Parameter	Affects	Depends	Description										
<b>Core for PCIe Configuration Parameters</b>														
G41	C_NO_OF_LANES		G1, G50, G53	<table border="1"> <thead> <tr> <th>Parameter Setting</th> <th>Result</th> </tr> </thead> <tbody> <tr> <td>G1 = Spartan-6</td> <td>G41 = 1 only</td> </tr> <tr> <td>G1 = Virtex-6</td> <td>G41 = 1, 2, or 4</td> </tr> <tr> <td>G1 = Kintex-7 &amp; G50 = G53 = 64</td> <td>G41 = 1, 2, or 4 (Gen1), or G41 = 1 or 2 (Gen2)</td> </tr> <tr> <td>G1 = Kintex-7 &amp; G50 = G53 = 128</td> <td>G41 = 1, 2, 4, or 8 (Gen1) or 1, 2, or 4 (Gen2)</td> </tr> </tbody> </table>	Parameter Setting	Result	G1 = Spartan-6	G41 = 1 only	G1 = Virtex-6	G41 = 1, 2, or 4	G1 = Kintex-7 & G50 = G53 = 64	G41 = 1, 2, or 4 (Gen1), or G41 = 1 or 2 (Gen2)	G1 = Kintex-7 & G50 = G53 = 128	G41 = 1, 2, 4, or 8 (Gen1) or 1, 2, or 4 (Gen2)
				Parameter Setting	Result									
				G1 = Spartan-6	G41 = 1 only									
				G1 = Virtex-6	G41 = 1, 2, or 4									
				G1 = Kintex-7 & G50 = G53 = 64	G41 = 1, 2, or 4 (Gen1), or G41 = 1 or 2 (Gen2)									
G1 = Kintex-7 & G50 = G53 = 128	G41 = 1, 2, 4, or 8 (Gen1) or 1, 2, or 4 (Gen2)													
Spartan-6 is a fixed x1 EP.														
G42	C_DEVICE_ID													
G43	C_VENDOR_ID													
G44	C_CLASS_CODE													
G45	C_REV_ID													
G46	C_SUBSYSTEM_ID													
G47	C_SUBSYSTEM_VENDOR_ID													
G48	C_PCIE_CAP_SLOT_IMPLEMENTED		G2	If G2 = 0, G48 is not meaningful										
G49	C_REF_CLK_FREQ		G1	If G1 = Spartan-6, G49 must be = 0 or 1. If G1 = Virtex-6, G49 must be = 0 or 2.										
<b>Memory-Mapped AXI4 Bus Parameters</b>														
G50	C_M_AXI_DATA_WIDTH	G53	G1, G41, G53	G50 must be equal to G53										
G51	C_M_AXI_ADDR_WIDTH	G54	G54	G51 must be equal to G54										
G52	C_S_AXI_ID_WIDTH													
G53	C_S_AXI_DATA_WIDTH	G50	G1, G41, G50	G53 must be equal to G50										
G54	C_S_AXI_ADDR_WIDTH	G51	G51	G54 must be equal to G51										
G55	C_MAX_LINK_SPEED		G1	If G1 = Spartan-6, G55 must be = 0.										
G56	C_INTERRUPT_PIN													

Table 2-8 summarizes the relationship between the IP design parameters, C\_FAMILY and C\_PCIE\_USE\_MODE. The C\_PCIE\_USE\_MODE is used to specify the 7 series (and derivative FPGA technology) serial transceiver wrappers to use based on the silicon version. Initial Engineering Silicon (IES) as well as General Engineering Silicon (GES) must be specified.

Table 2-8: Silicon Version Specification

C_FAMILY	C_PCIE_USE_MODE
Kintex-7	"1.0" = for Kintex-7 325T IES (initial silicon) "3.0" = for GES (general silicon)
Virtex-7	"1.1" = for Virtex-7 485T IES (initial silicon) "3.0" = for GES (general silicon)
Artix-7	"3.0" = for IES (initial silicon) to use latest serial transceiver wrappers (only allowable value)
Zynq	Not applicable. (set internally = "3.0")
Virtex-6	Not applicable.
Spartan-6	Not applicable.

## Memory Map

The memory map shown in [Table 2-9](#) shows the address mapping for the AXI Bridge for PCI Express. These registers are described in more detail in the following section. All registers are accessed through the AXI4-Lite Control Interface and are offset from C\_BASEADDR. During a reset, all registers return to default values.

Table 2-9: Register Memory Map

Accessibility	Offset	Contents	Location
RO - EP, R/W - RC	0x000 - 0x124	PCIe Configuration Space Header	Part of integrated PCIe configuration space.
RO	0x128	Vendor-Specific Enhanced Capability (VSEC) Capability	VSEC of integrated PCIe configuration space.
RO	0x12C	VSEC Header	
RO	0x130	Bridge Info	AXI bridge defined memory-mapped register space.
RO - EP, R/W - RC	0x134	Bridge Status and Control	
R/W	0x138	Interrupt Decode	
R/W	0x13C	Interrupt Mask	
RO - EP, R/W - RC	0x140	Bus Location	
RO	0x144	Physical-Side Interface (PHY) Status/Control	
RO - EP, R/W - RC	0x148	Root Port Status/Control	
RO - EP, R/W - RC	0x14C	Root Port MSI Base 1	
RO - EP, R/W - RC	0x150	Root Port MSI Base 2	
RO - EP, R/W - RC	0x154	Root Port Error FIFO Read	
RO - EP, R/W - RC	0x158	Root Port Interrupt FIFO Read 1	
RO - EP, R/W - RC	0x15C	Root Port Interrupt FIFO Read 2	
RO	0x160 - 0x1FF	Reserved (zeros returned on read)	

Table 2-9: Register Memory Map (Cont'd)

Accessibility	Offset	Contents	Location
RO	0x200	VSEC Capability 2	
RO	0x204	VSEC Header 2	
R/W	0x208 - 0x234	AXI Base Address Translation Configuration Registers	AXI bridge defined memory-mapped space.
RO	0x238 - 0xFFFF	Reserved (zeros returned on read)	

## PCIe Configuration Space Header

The PCIe Configuration Space Header is a memory aperture for accessing the core for PCIe configuration space. For Spartan-6 device configurations, this area is read-only. For Virtex-6 and 7 series devices, this area is read-only when configured as an Endpoint. Writes are permitted for some registers when a Virtex-6 or 7 series device is configured as a Root Port. Special access modes can be enabled using the PHY Status/Control register. All reserved or undefined memory-mapped addresses must return zero and writes have no effect.

## VSEC Capability Register (Offset 0x128)

The VSEC structure allows the memory space of the core to appear as though it is a part of the underlying Integrated Block for PCIe configuration space. The VSEC is inserted immediately following the last enhanced capability structure in the underlying block. VSEC is defined in §7.18 of the *PCI Express Base Specification, v1.1* (§7.19 of v2.0)[Ref 4].

Table 2-10: VSEC Capability Register

Bit(s)	Name	Core Access	Reset Value	Description
15:0	VSEC Capability ID	RO	0x000B	PCI-SIG® defined ID identifying this Enhanced Capability as a Vendor-Specific capability. Hardcoded to 0x000B.
19:16	Capability Version	RO	0x1	Version of this capability structure. Hardcoded to 0x1.
31:20	Next Capability Offset	RO	0x200	Offset to next capability. Hardcoded to 0x0200.

## VSEC Header Register (Offset 0x12C)

The VSEC header provides a unique (within a given vendor) identifier for the layout and contents of the VSEC structure, as well as its revision and length.

Table 2-11: VSEC Header Register

Bit(s)	Name	Core Access	Reset Value	Description
15:0	VSEC ID	RO	0x0001	ID value uniquely identifying the nature and format of this VSEC structure.
19:16	VSEC REV	RO	0	Version of this capability structure. Hardcoded to 0h.
31:20	VSEC Length	RO	0x038	Length of the entire VSEC Capability structure, in bytes, including the VSEC Capability register. Hardcoded to 0x038 (56 decimal).

## Bridge Info Register (Offset 0x130)

The Bridge Info register provides general configuration information about the AXI4-Stream Bridge. Information in this register is static and does not change during operation.

Table 2-12: Bridge Info Register

Bit(s)	Name	Core Access	Reset Value	Description
0	Gen2 Capable	RO	0	If set, indicates the link is Gen2 capable. Underlying Integrated Block and Link partner support PCIe Gen2 speed.
1	Root Port Present	RO	0	Indicates underlying Integrated Block is a Root Port when this bit is set. If set, Root Port registers are present in this interface.
2	Up Config Capable	RO		Indicates underlying Integrated Block is upconfig capable when this bit is set.
15:3	Reserved	RO	0	Reserved
18:16	ECAM Size	RO	0	Size of Enhanced Configuration Access Mechanism (ECAM) Bus Number field, in number of bits. If ECAM window is present, value is between 1 and 8. If not present, value is 0. Total address bits dedicated to ECAM window is 20+(ECAM Size). The size of the ECAM is determined by the parameter settings of C_BASEADDR and C_HIGHADDR.
31:19	Reserved	RO	0	Reserved

## Bridge Status and Control Register (Offset 0x134)

The Bridge Status and Control register provides information about the current state of the AXI4-Stream Bridge. It also provides control over how reads and writes to the Core Configuration Access aperture are handled. For Spartan-6 devices, this register is not used and the contents are hardwired to 0.

Table 2-13: Bridge Status and Control Register

Bit(s)	Name	Core Access	Reset Value	Description
0	ECAM Busy	RO	0	Indicates an ECAM access is in progress (waiting for completion).
7:1	Reserved	RO	0	Reserved
8	Global Disable	RW	0	When set, disables interrupt line from being asserted. Does not prevent bits in Interrupt Decode register from being set.
15:9	Reserved	RO	0	Reserved
16	RW1C as RW	RW	0	When set, allows writing to core registers which are normally RW1C. Hard-wired to zero for Spartan-6 device cores.
17	RO as RW	RW	0	When set, allows writing to certain registers which are normally RO. (Only supported for Kintex-7 FPGA cores.)
31:18	Reserved	RO	0	Reserved

## Interrupt Decode Register (Offset 0x138)

The Interrupt Decode register provides a single location where the host processor interrupt service routine can determine what is causing the interrupt to be asserted and how to clear the interrupt. Writing a 1 to any bit of the Interrupt Decode register clears that bit.



**IMPORTANT:** An asserted bit in the Interrupt Decode register does not cause the interrupt line to assert unless the corresponding bit in the Interrupt Mask register is also set.

Table 2-14: Interrupt Decode Register

Bit(s)	Name	Core Access	Reset Value	Description
0	Link Down	RW1C	0	Indicates that Link-Up on the PCI Express link was lost. Not asserted unless link-up had previously been seen.
1	ECRC Error	RW1C	0	Indicates Received packet failed ECRC check. (Only applicable to Kintex-7 FPGA cores.)
2	Streaming Error	RW1C	0	Indicates a gap was encountered in a streamed packet on the TX interface (RW, RR, or CC).
3	Hot Reset	RW1C	0	Indicates a Hot Reset was detected.
4	Reserved	RO	0	Reserved

Table 2-14: Interrupt Decode Register (Cont'd)

Bit(s)	Name	Core Access	Reset Value	Description
7:5	Cfg Completion Status	RW1C	0	Indicates config completion status.
8	Cfg Timeout	RW1C	0	Indicates timeout on an ECAM access. (Only applicable to Root Port cores.)
9	Correctable	RW1C	0	Indicates a correctable error message was received. Requester ID of error message should be read from the Root Port FIFO. (Only applicable to Root Port cores.)
10	Non-Fatal	RW1C	0	Indicates a non-fatal error message was received. Requester ID of error message should be read from the Root Port FIFO. (Only applicable to Root Port cores)
11	Fatal	RW1C	0	Indicates a fatal error message was received. Requester ID of error message should be read from the Root Port FIFO. (Only applicable to Root Port cores.)
15:12	Reserved	RO	0	Reserved
16	INTx Interrupt Received	RW1C	0	Indicates an INTx interrupt was received. Interrupt details should be read from the Root Port FIFO. (Only applicable to Root Port cores.)
17	MSI Interrupt Received	RW1C	0	Indicates an MSI(x) interrupt was received. Interrupt details should be read from the Root Port FIFO. (Only applicable to Root Port cores.)
19:18	Reserved	RO	0	Reserved
20	Slave Unsupported Request	RW1C	0	Indicates that a completion TLP was received with a status of 0b001 - Unsupported Request.
21	Slave Unexpected Completion	RW1C	0	Indicates that a completion TLP was received that was unexpected.
22	Slave Completion Timeout	RW1C	0	Indicates that the expected completion TLP(s) for a read request for PCIe was not returned within the time period selected by the C_COMP_TIMEOUT parameter.
23	Slave Error Poison	RW1C	0	Indicates the EP bit was set in a completion TLP.
24	Slave Completer Abort	RW1C	0	Indicates that a completion TLP was received with a status of 0b100 - Completer Abort.
25	Slave Illegal Burst	RW1C	0	Indicates that a burst type other than INCR was requested by the AXI Master.
26	Master DECERR	RW1C	0	Indicates a Decoder Error (DECERR) response was received.
27	Master SLVERR	RW1C	0	Indicates a Slave Error (SLVERR) response was received.

Table 2-14: Interrupt Decode Register (Cont'd)

Bit(s)	Name	Core Access	Reset Value	Description
28	Master Error Poison	RW1C	0	Indicates an EP bit was set in a MemWR TLP for PCIe.
31:29	Reserved	RO	0	Reserved

## Interrupt Mask Register (Offset 0x13C)

The Interrupt Mask register controls whether each individual interrupt source can cause the interrupt line to be asserted. A one in any location allows the interrupt source to assert the interrupt line. The Interrupt Mask register initializes to all zeros. Therefore, by default no interrupt is generated for any event. Table 2-15 describes the Interrupt Mask register bits and values.

Table 2-15: Interrupt Mask Register

Bit(s)	Name	Core Access	Reset Value	Description
0	Link Down	RW	0	Enables interrupts for Link Down events when bit is set.
1	ECRC Error	RW	0	Enables interrupts for ECRC Error events when bit is set. (Only writable for EP configurations, otherwise = '0')
2	Streaming Error	RW	0	Enables interrupts for Streaming Error events when bit is set.
3	Hot Reset	RW	0	Enables interrupts for Hot Reset events when bit is set. (Only writable for EP configurations, otherwise = '0')
4	Reserved	RO	0	Reserved
7:5	Cfg Completion Status	RW	0	Enables interrupts for config completion status. (Only writable for Root Port Configurations, otherwise = '0')
8	Cfg Timeout	RO	0	Enables interrupts for Config (Cfg) Timeout events when bit is set. (Only writable for Root Port Configurations, otherwise = '0')
9	Correctable	RO	0	Enables interrupts for Correctable Error events when bit is set. (Only writable for Root Port Configurations, otherwise = '0')
10	Non-Fatal	RO	0	Enables interrupts for Non-Fatal Error events when bit is set. (Only writable for Root Port Configurations, otherwise = '0')
11	Fatal	RO	0	Enables interrupts for Fatal Error events when bit is set. (Only writable for Root Port Configurations, otherwise = '0')
15:12	Reserved	RO	0	Reserved
16	INTx Interrupt Received	RO	0	Enables interrupts for INTx Interrupt events when bit is set. (Only writable for Root Port Configurations, otherwise = '0')
17	MSI Interrupt Received	RO	0	Enables interrupts for MSI Interrupt events when bit is set. (Only writable for Root Port Configurations, otherwise = '0')
19:18	Reserved	RO	0	Reserved



Table 2-15: Interrupt Mask Register (Cont'd)

Bit(s)	Name	Core Access	Reset Value	Description
20	Slave Unsupported Request	RW	0	Enables the Slave Unsupported Request interrupt when bit is set.
21	Slave Unexpected Completion	RW	0	Enables the Slave Unexpected Completion interrupt when bit is set.
22	Slave Completion Timeout	RW	0	Enables the Slave Completion Timeout interrupt when bit is set.
23	Slave Error Poison	RW	0	Enables the Slave Error Poison interrupt when bit is set.
24	Slave Completer Abort	RW	0	Enables the Slave Completer Abort interrupt when bit is set.
25	Slave Illegal Burst	RW	0	Enables the Slave Illegal Burst interrupt when bit is set.
26	Master DECERR	RW	0	Enables the Master DECERR interrupt when bit is set.
27	Master SLVERR	RW	0	Enables the Master SLVERR interrupt when bit is set.
28	Master Error Poison	RW	0	Enables the Master Error Poison interrupt when bit is set.
31:29	Reserved	RO	0	Reserved

## Bus Location Register (Offset 0x140)

The Bus Location register reports the Bus, Device, and Function number, and the Port number for the PCIe port (Table 2-16).

Table 2-16: Bus Location Register

Bit(s)	Name	Core Access	Reset Value	Description
2:0	Function Number	RO	0	Function number of the port for PCIe. Hard-wired to 0.
7:3	Device Number	RO	0	Device number of port for PCIe. For Endpoint, this register is RO and is set by the Root Port.
15:8	Bus Number	RO	0	Bus number of port for PCIe. For Endpoint, this register is RO and is set by the external Root Port.
23:16	Port Number	RW	0	Sets the Port number field of the Link Capabilities register. Not supported for Spartan-6 devices.
31:24	Reserved	RO	0	Reserved

## PHY Status/Control Register (Offset 0x144)

The PHY Status/Control register (described in [Table 2-17](#)) provides the status of the current PHY state, as well as control of speed and rate switching for Gen2-capable cores.

Table 2-17: PHY Status/Control Register

Bit(s)	Name	Core Access	Reset Value	Description
0	Link Rate	RO	0	Reports the current link rate. 0b = 2.5 GT/s, 1b = 5.0 GT/s.
2:1	Link Width	RO	0	Reports the current link width. 00b = x1, 01b = x2, 10b = x4, 11b = x8.
8:3	LTSSM State	RO	0	Reports the current Link Training and Status State Machine (LTSSM) state. Encoding is specific to the underlying Integrated Block <a href="#">[Ref 1]</a> .
10:9	Lane Reversal	RO	0	Reports the current lane reversal mode. 00b: No reversal 01b: Lanes 1:0 reversed 10b: Lanes 3:0 reversed 11b: Lanes 7:0 reversed
11	Link Up	RO	0	Reports the current PHY Link-up state. 1b: Link up 0b: Link down Link up indicates the core has achieved link up status, meaning the LTSSM is in the L0 state and the core can send/receive data packets.
15:12	Reserved	RO	0	Reserved
17:16	Directed Link Width	RW	0	Specifies completer link width for a directed link change operation. Only acted on when Directed Link Change specifies a width change. 00b: x1 01b: x2 10b: x4 11b: x8 (RO for Spartan-6 FPGA cores, hard wired to 0)
18	Directed Link Speed	RW	0	Specifies completer link speed for a directed link change operation. Only acted on when Directed Link Change specifies a speed change. 0b: 2.5 GT/s 1b: 5.0 GT/s (RO for Spartan-6 FPGA cores, hard wired to 0)
19	Directed Link Autonomous	RW	0	Specifies link reliability or autonomous for directed link change operation. 0b: Link reliability 1b: Autonomous (RO for Spartan-6 FPGA cores, hardwired to 0)

Table 2-17: PHY Status/Control Register (Cont'd)

Bit(s)	Name	Core Access	Reset Value	Description
21:20	Directed Link Change	RW	0	Directs LTSSM to initiate a link width and/or speed change. 00b: No change 01b: Force link width 10b: Force link speed 11b: Force link width and speed (RO for Spartan-6 FPGA cores, hardwired to 0)
31:22	Reserved	RO	0	Reserved

## Root Port Status/Control Register (Offset 0x148)

The Root Port Status/Control register provides access to Root Port specific status and control. This register is only implemented for Root Port cores. For non-Root Port cores, reads return 0 and writes are ignored (described in Table 2-18).

Table 2-18: Root Port Status/Control Register

Bit(s)	Name	Core Access	Reset Value	Description
0	Bridge Enable	RW	0	When set, allows the reads and writes to the AXIBARs to be presented on the PCIe bus. RP Software needs to write 1 to this bit when enumeration is done. AXI Enhanced PCIe Bridge clears this location when link up to link down transition occurs. Default is set to '0'.
15:1	Reserved	RO	0	Reserved.
16	Error FIFO Not Empty	RO	0	Indicates that the Root Port Error FIFO has data to read.
17	Error FIFO Overflow	RW1C	0	Indicates that the Root Port Error FIFO overflowed and an error message was dropped. Writing a '1' clears the overflow status.
18	Interrupt FIFO Not Empty	RO	0	Indicates that the Root Port Interrupt FIFO has data to read.
19	Interrupt FIFO Overflow	RW1C	0	Indicates that the Root Port Interrupt FIFO overflowed and an interrupt message was dropped. Writing a '1' clears the overflow status
27:20	Completion Timeout	RW	0	Sets the timeout counter size for Completion Timeouts.
31:28	Reserved	RO	0	Reserved.

## Root Port MSI Base Register 1 (Offset 0x14C)

The Root Port MSI Base Register contains the upper 32-bits of the 64-bit MSI address (described in [Table 2-19](#)).

For EP configurations, read returns zero.

**Table 2-19: Root Port MSI Base Register 1**

Bit(s)	Name	Core Access	Reset Value	Description
31:0	MSI Base	RW	0	4Kb-aligned address for MSI interrupts. In case of 32-bit MSI, it returns 0 but captures the upper 32-bits of the MSI address in case of 64-bit MSI.

## Root Port MSI Base Register 2 (Offset 0x150)

The Root Port MSI Base Register 2 (described in [Table 2-20](#)) sets the address window in Root Port cores used for MSI interrupts. MemWr TLPs to addresses in this range are interpreted as MSI interrupts. MSI TLPS are interpreted based on the address programmed in this register. The window is always 4 Kb, beginning at the address indicated in this register. For EP configurations, a read returns zero.

**Table 2-20: Root Port MSI Base Register 2**

Bit(s)	Name	Core Access	Reset Value	Description
11:0	Reserved	RO	0	Reserved
31:12	MSI Base	RW	0	4 Kb-aligned address for MSI interrupts.

## Root Port Error FIFO Read Register (Offset 0x154)

Reads from this location return queued error (Correctable/Non-fatal/Fatal) messages. Data from each read follows the format shown in [Table 2-21](#). For EP configurations, read returns zero.

Reads are non-destructive. Removing the message from the FIFO requires a write. The write value is ignored.

Table 2-21: Root Port Error FIFO Read Register

Bit(s)	Name	Core Access	Reset Value	Description
15:0	Requester ID	RWC	0	Requester ID belonging to the requester of the error message.
17:16	Error Type	RWC	0	Indicates the type of the error. 00b: Correctable 01b: Non-Fatal 10b: Fatal 11b: Reserved
18	Error Valid	RWC	0	Indicates whether read succeeded. 1b: Success 0b: No message to read
31:19	Reserved	RO	0	Reserved

## Root Port Interrupt FIFO Read Register 1 (Offset 0x158)

Reads from this location return queued interrupt messages. Data from each read follows the format shown in Table 2-22. For MSI interrupts, the message payload is presented in the Root Port Interrupt FIFO Read 2 register. The interrupt-handling flow should be to read this register first, immediately followed by the Root Port Interrupt FIFO Read 2 register. For non-Root Port cores, reads return zero.

**Note:** Reads are non-destructive. Removing the message from the FIFO requires a write to either this register or the Root Port Interrupt FIFO Read 2 register. The write value is ignored.

Table 2-22: Root Port Interrupt FIFO Read Register 1

Bit(s)	Name	Core Access	Reset Value	Description
15:0	Requester ID	RWC	0	Requester ID belonging to the requester of the error message.
26:16	MSI Address	RWC	0	For MSI interrupts, contains address bits 12:2 from the TLP address field.
28:27	Interrupt Line	RWC	0	Indicates interrupt line used. 00b: INTA 01b: INTB 10b: INTC 11b: INTD For MSI, this field is set to 00b and should be ignored.
29	Interrupt Assert	RWC	0	Indicates assert or deassert for INTx. 1b: Assert 0b: Deassert For MSI, this field is set to 0b and should be ignored.
30	MSI Interrupt	RWC	0	Indicates whether interrupt is MSI or INTx. 1b = MSI, 0b = INTx.
31	Interrupt Valid	RWC	0	Indicates whether read succeeded. 1b: Success 0b: No interrupt to read

## Root Port Interrupt FIFO Read Register 2 (Offset 0x15C)

Reads from this location return queued interrupt messages. Data from each read follows the format shown in Table 2-23. For MSI interrupts, the message payload is presented in this register, while the header information is presented in the Root Port Interrupt FIFO Read 1 register. The interrupt-handling flow should be to read the Root Port Interrupt FIFO Read 1 register first, immediately followed by this register. For non-Root Port cores, reads return 0. For INTx interrupts, reads return zero.

**Note:** Reads are non-destructive. Removing the message from the FIFO requires a write to EITHER this register or the Root Port Interrupt FIFO Read 1 register (write value is ignored).

Table 2-23: Root Port Interrupt FIFO Read Register 2

Bit(s)	Name	Core Access	Reset Value	Description
15:0	Message Data	RWC	0	Payload for MSI messages.
31:16	Reserved	RO	0	Reserved

## VSEC Capability Register 2 (Offset 0x200)

The VSEC structure allows the memory space for the core to appear as though it is a part of the underlying integrated block PCIe configuration space. The VSEC is inserted immediately following the last enhanced capability structure in the underlying block. VSEC is defined in §7.18 of the *PCI Express Base Specification, v1.1* (§7.19 of v2.0)[Ref 4].

This register is only included if C\_INCLUDE\_BAR\_OFFSET\_REG = 1.

Table 2-24: VSEC Capability Register 2

Bit(s)	Name	Core Access	Reset Value	Description
15:0	VSEC Capability ID	RO	0x000B	PCI-SIG defined ID identifying this Enhanced Capability as a Vendor-Specific capability. Hardcoded to 0x000B.
19:16	Capability Version	RO	0x1	Version of this capability structure. Hardcoded to 0x1.
31:20	Next Capability Offset	RO	0x000	Offset to next capability.

## VSEC Header Register 2 (Offset 0x204)

The VSEC Header Register 2 (described in Table 2-25) provides a unique (within a given vendor) identifier for the layout and contents of the VSEC structure, as well as its revision and length.

This register is only included if C\_INCLUDE\_BAR\_OFFSET\_REG = 1.

Table 2-25: VSEC Header Register 2

Bit(s)	Name	Core Access	Reset Value	Description
15:0	VSEC ID	RO	0x0002	ID value uniquely identifying the nature and format of this VSEC structure.
19:16	VSEC REV	RO	0x0	Version of this capability structure. Hardcoded to 0x0.
31:20	VSEC Length	RO	0x038	Length of the entire VSEC Capability structure, in bytes, including the VSEC Capability register. Hardcoded to 0x038 (56 decimal).

## AXI Base Address Translation Configuration Registers (Offset 0x208 - 0x234)

The AXI Base Address Translation Configuration Registers and their offsets are shown in [Table 2-26](#) and the register bits are described in [Table 2-27](#). This set of registers can be used in two configurations based on the top-level parameter C\_AXIBAR\_AS\_n. When the BAR is set to a 32-bit address space, then the translation vector should be placed into the AXIBAR2PCIEBAR\_nL register where n is the BAR number. When the BAR is set to a 64-bit address space, then the most significant 32 bits are written into the AXIBAR2PCIEBAR\_nU and the least significant 32 bits are written into AXIBAR2PCIEBAR\_nL. These registers are only included if C\_INCLUDE\_BAR\_OFFSET\_REG = 1.

Table 2-26: AXI Base Address Translation Configuration Registers

Offset	Bits	Register Mnemonic
0x208	31-0	AXIBAR2PCIEBAR_0U
0x20C	31-0	AXIBAR2PCIEBAR_0L
0x210	31-0	AXIBAR2PCIEBAR_1U
0x214	31-0	AXIBAR2PCIEBAR_1L
0x218	31-0	AXIBAR2PCIEBAR_2U
0x21C	31-0	AXIBAR2PCIEBAR_2L
0x220	31-0	AXIBAR2PCIEBAR_3U
0x224	31-0	AXIBAR2PCIEBAR_3L
0x228	31-0	AXIBAR2PCIEBAR_4U
0x22C	31-0	AXIBAR2PCIEBAR_4L
0x230	31-0	AXIBAR2PCIEBAR_5U
0x234	31-0	AXIBAR2PCIEBAR_5L

Table 2-27: AXI Base Address Translation Configuration Register Bit Definitions

Bits	Name	Core Access	Reset Value	Description
31-0	Lower Address	R/W	C_AXIBAR2PCIEBAR_0(31 to 0)	<b>Lower Address:</b> To create the address for PCIe—this is the value substituted for the least significant 32 bits of the AXI address.
31-0	Upper Address	R/W	if (C_AXIBAR2PCIEBAR_0 = 64 bits), then reset value = C_AXIBAR2PCIEBAR_0(63 to 32)  if (C_AXIBAR2PCIEBAR_0 = 32 bits), then reset value = 0x00000000	<b>Upper Address:</b> To create the address for PCIe—this is the value substituted for the most significant 32 bits of the AXI address.
31-0	Lower Address	R/W	C_AXIBAR2PCIEBAR_1(31 to 0)	<b>Lower Address:</b> To create the address for PCIe—this is the value substituted for the least significant 32 bits of the AXI address.
31-0	Upper Address	R/W	if (C_AXIBAR2PCIEBAR_1 = 64 bits) then reset value = C_AXIBAR2PCIEBAR_1(63 to 32)  if (C_AXIBAR2PCIEBAR_1 = 32 bits) then reset value = 0x00000000	<b>Upper Address:</b> To create the address for PCIe— this is the value substituted for the most significant 32 bits of the AXI address.
31-0	Lower Address	R/W	C_AXIBAR2PCIEBAR_2(31 to 0)	<b>Lower Address:</b> To create the address for PCIe—this is the value substituted for the least significant 32 bits of the AXI address.
31-0	Upper Address	R/W	if (C_AXIBAR2PCIEBAR_2 = 64 bits), then reset value = C_AXIBAR2PCIEBAR_2(63 to 32)  if (C_AXIBAR2PCIEBAR_2 = 32 bits), then reset value = 0x00000000	<b>Upper Address:</b> To create the address for PCIe—this is the value substituted for the most significant 32 bits of the AXI address.
31-0	Lower Address	R/W	C_AXIBAR2PCIEBAR_3(31 to 0)	<b>Lower Address:</b> To create the address for PCIe—this is the value substituted for the least significant 32 bits of the AXI address.



Table 2-27: AXI Base Address Translation Configuration Register Bit Definitions (Cont'd)

Bits	Name	Core Access	Reset Value	Description
31-0	Upper Address	R/W	if (C_AXIBAR2PCIEBAR_3 = 64 bits) then reset value = C_AXIBAR2PCIEBAR_3(63 to 32)  if (C_AXIBAR2PCIEBAR_3 = 32 bits) then reset value = 0x00000000	<b>Upper Address:</b> To create the address for PCIe—this is the value substituted for the most significant 32 bits of the AXI address.
31-0	Lower Address	R/W	C_AXIBAR2PCIEBAR_4(31 to 0)	<b>Lower Address:</b> To create the address for PCIe—this is the value substituted for the least significant 32 bits of the AXI address.
31-0	Upper Address	R/W	if (C_AXIBAR2PCIEBAR_4 = 64 bits), then reset value = C_AXIBAR2PCIEBAR_4(63 to 32)  if (C_AXIBAR2PCIEBAR_4 = 32 bits), then reset value = 0x00000000	<b>Upper Address:</b> To create the address for PCIe—this is the value substituted for the most significant 32 bits of the AXI address.
31-0	Lower Address	R/W	C_AXIBAR2PCIEBAR_5(31 to 0)	<b>Lower Address:</b> To create the address for PCIe—this is the value substituted for the least significant 32 bits of the AXI address.
31-0	Upper Address	R/W	if (C_AXIBAR2PCIEBAR_5 = 64 bits) then reset value = C_AXIBAR2PCIEBAR_5(63 to 32)  if (C_AXIBAR2PCIEBAR_5 = 32 bits) then reset value = 0x00000000	<b>Upper Address:</b> To create the address for PCIe—this is the value substituted for the most significant 32 bits of the AXI address.

## Enhanced Configuration Access

When the AXI Bridge for PCIe is configured as a Root Port, configuration traffic is generated by using the PCI Express Enhanced Configuration Access Mechanism (ECAM). ECAM functionality is available only when the core is configured as a Root Port. Reads and writes to a certain memory aperture are translated to configuration reads and writes, as specified in the *PCI Express Base Specification (v1.1 and v2.1)*, §7.2.2[Ref 4].

Depending on the core configuration, the ECAM memory aperture is  $2^{21}$ – $2^{28}$  (byte) addresses. The address breakdown is defined in Table 2-28. The ECAM window begins at memory map base address and extends to  $2^{(20+ECAM\_SIZE)} - 1$ . ECAM\_SIZE is calculated from the C\_BASEADDR and C\_HIGHADDR parameters. The number N of low-order bits of the two

parameters that do not match, specifies the  $2^{*n}$  byte address range of the ECAM space. If `C_INCLUDE_RC = 0`, then `ECAM_SIZE = 0`.

When an ECAM access is attempted to the primary bus number, which defaults as bus 0 from reset, then access to the type 1 PCI™ Configuration Header of the integrated block in the Enhanced Interface for PCIe is performed. When an ECAM access is attempted to the secondary bus number, then type 0 configuration transactions are generated. When an ECAM access is attempted to a bus number that is in the range defined by the secondary bus number and subordinate bus number (not including the secondary bus number), then type 1 configuration transactions are generated. The primary, secondary, and subordinate bus numbers are written by Root Port software to the type 1 PCI Configuration Header of the Enhanced Interface for PCIe in the beginning of the enumeration procedure.

When an ECAM access is attempted to a bus number that is out of the bus\_number and subordinate bus number, the bridge does not generate a configuration request and signal SLVERR response on the AXI4-Lite bus. When the AXI Bridge for PCIe is configured for EP (`C_INCLUDE_RC = 0`), the underlying Integrated Block configuration space and the core memory map are available at the beginning of the memory space. The memory space looks like a simple PCI Express configuration space. When the AXI Bridge for PCIe is configured for RC (`C_INCLUDE_RC = 1`), the same is true, but it also looks like an ECAM access to primary bus, Device 0, Function 0.

When the AXI Bridge for PCI Express is configured as a Root Port, the reads and writes of the local ECAM are Bus 0. Because the FPGA only has a single Integrated Block for PCIe core, all local ECAM operations to Bus 0 return the ECAM data for Device 0, Function 0.

Configuration write accesses across the PCI Express bus are non-posted writes and block the AXI4-Lite interface while they are in progress. Because of this, system software is not able to service an interrupt if one were to occur. However, interrupts due to abnormal terminations of configuration transactions can generate interrupts. ECAM read transactions block subsequent Requester read TLPs until the configuration read completions packet is returned to allow unique identification of the completion packet.

Table 2-28: ECAM Addressing

Bits	Name	Description
1:0	Byte Address	Ignored for this implementation. The <code>S_AXI_CTL_WSTRB[3:0]</code> signals define byte enables for ECAM accesses.
7:2	Register Number	Register within the configuration space to access.
11:8	Extended Register Number	Along with Register Number, allows access to PCI Express Extended Configuration Space.
14:12	Function Number	Function Number to complete.

Table 2-28: ECAM Addressing (Cont'd)

Bits	Name	Description
19:15	Device Number	Device Number to complete.
(20+n-1):20	Bus Number	Bus Number, $1 \leq n \leq 8$ . $n$ is the number of bits available for Bus Number as derived from core parameters C_INCLUDE_RC, C_BASEADDR, and C_HIGHADDR.

## Unsupported Memory Space

Advanced Error Reporting (AER) is not supported in the AXI Bridge for PCI Express core. The AER register space is not accessible in the AXI Bridge for PCI Express memory mapped space.

# Designing with the Core

This chapter includes guidelines and additional information to make designing with the core easier. It contains these sections:

- [General Design Guidelines](#)
- [Clocking](#)
- [Resets](#)
- [AXI Transactions for PCIe](#)
- [Transaction Ordering for PCIe](#)
- [Address Translation](#)

---

## General Design Guidelines

The Base System Builder tool in the Xilinx® Embedded Development Kit (EDK) design environment has been optimized to provide a starting point for designing with the LogiCORE™ IP AXI Bridge for PCIe®.

---

## Clocking

[Figure 3-1](#) shows the clocking diagram for the core. The AXI\_ACLK\_OUT output must be fed back and used as the input for AXI\_ACLK. This is the main memory-mapped AXI4 bus clock.

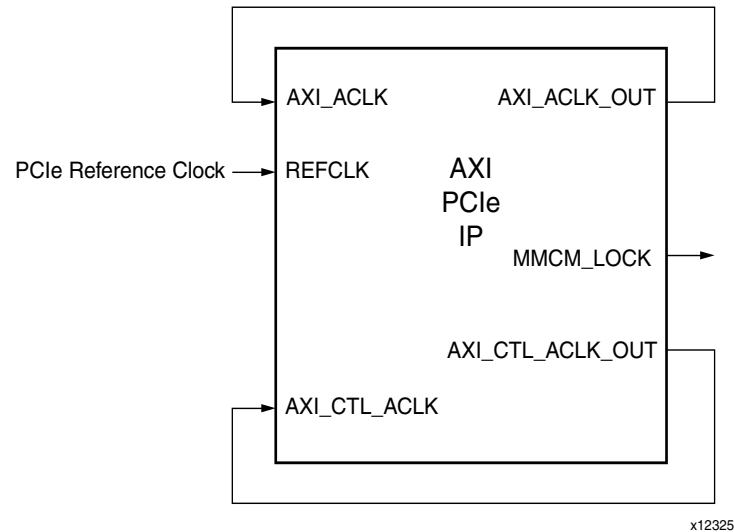


Figure 3-1: Clocking Diagram

The REFCLK input must be provided at the frequency selected by the value of C\_REF\_CLK\_FREQ. This clock is used to generate the two output clocks and is also the clock used to drive the AXI4 bus.

The AXI\_CTL\_ACLK\_OUT output must be fed back and used for the input AXI\_CTL\_ACLK. This is the AXI4-Lite interconnect clock. The AXI\_CTL\_ACLK\_OUT clock is rising edge aligned and an integer division of the AXI\_ACLK\_OUT clock.

## Resets

The bridge is designed to be used with the Proc\_Sys\_Reset module for generation of the AXI\_ARESET input. When using the EDK tools to build a system, it is best to connect the PERSTN pin of the host connector for PCIe to the Peripheral\_Reset port of the Proc\_Sys\_Reset module. The bridge does not use PERSTN directly. Also, the MMCM\_LOCK output must be connected to the DCM\_Locked input of the Proc\_Sys\_Reset module to make sure that AXI\_ARESET is held active for 16 clocks after MMCM\_LOCK becomes active. See Figure 3-2.

**Note:** Be sure to set the correct polarity on the Aux\_Reset\_In signal of the Proc\_Sys\_Reset IP block. When PERSTN is active- Low, set the parameter as follows:

```
PARAMETER C_AUX_RESET_HIGH = 0
```

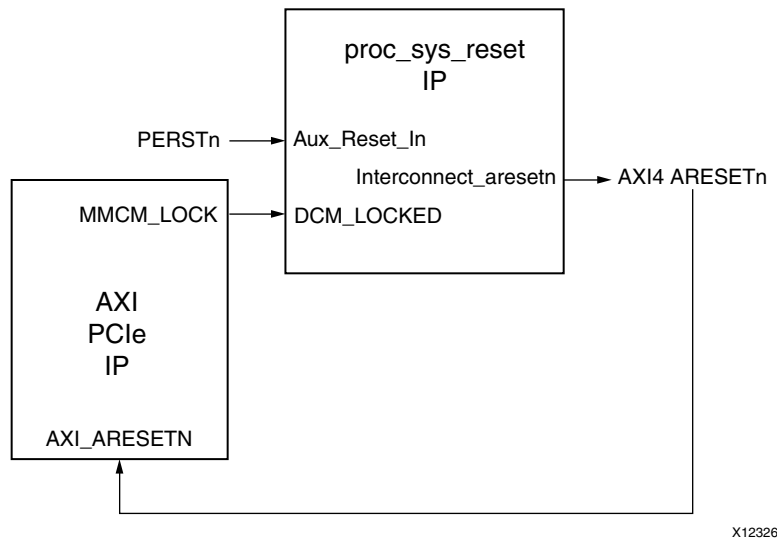


Figure 3-2: System Reset Connection

## AXI Transactions for PCIe

Table 3-1 and Table 3-2 are the translation tables for AXI4-Stream and memory-mapped transactions.

Table 3-1: AXI4 Memory-Mapped Transactions to AXI4-Stream PCIe TLPs

AXI4 Memory-Mapped Transaction	AXI4-Stream PCIe TLPs
INCR Burst Read of 32-bit address AXIBAR	MemRd 32 (3DW)
INCR Burst Write to 32-bit address AXIBAR	MemWr 32 (3DW)
INCR Burst Read of 32-bit address AXIBAR	MemRd 64 (4DW)
INCR Burst Write to 32-bit address AXIBAR	MemWr 64 (4DW)

Table 3-2: AXI4-Stream PCIe TLPs to AXI4 Memory Mapped Transactions

AXI4-Stream PCIe TLPs	AXI4 Memory-Mapped Transaction
MemRd 32 (3DW) of PCIEBAR	INCR Burst Read with 32-bit address
MemWr 32 (3DW) to PCIEBAR	INCR Burst Write with 32-bit address
MemRd 64 (4DW) of PCIEBAR	INCR Burst Read with 32-bit address
MemWr 64 (4DW) to PCIEBAR	INCR Burst Write with 32-bit address

---

## Transaction Ordering for PCIe

The AXI Bridge for PCIe conforms to strict PCIe transaction ordering rules. See the PCIe v2.1 Specification for the complete rule set. The following behaviors are implemented in the AXI Bridge for PCIe to enforce the PCIe transaction ordering rules on the highly-parallel AXI bus of the bridge. The rules are enforced without regard to the Relaxed Ordering attribute bit within the TLP header:

- The BRESP to the remote (requesting) AXI4 master device for a write to a remote PCIe device is not issued until the MemWr TLP transmission is guaranteed to be sent on the PCIe link before any subsequent tx-transfers.
- A remote AXI master read of a remote PCIe device is not permitted to pass any previous or simultaneous AXI master writes to a remote PCIe device that occurs previously or at the same time. Timing is based off the AXI ARVALID signal timing relative to the AXI AWVALID. Any AXI write transaction in which AWVALID was asserted before or at the same time as the ARVALID for a read from pcie is asserted causes the MemRd TLP(s) to be held until the pipelined or simultaneous MemWr TLP(s) have been sent.
- A remote PCIe device read of a remote AXI slave is not permitted to pass any previous remote PCIe device writes to a remote AXI slave received by the AXI Bridge for PCIe. The AXI read address phase is held until the previous AXI write transactions have completed and BRESP has been received for the AXI write transactions.
- Read completion data received from a remote PCIe device are not permitted to pass any remote PCIe device writes to a remote AXI slave received by the AXI Bridge for PCIe prior to the read completion data. The BRESP for the AXI write(s) must be received before the completion data is presented on the AXI read data channel.
- Read data from a remote AXI slave is not permitted to pass any remote AXI master writes to a remote PCIe device initiated on the AXI bus prior to or simultaneously with the read data being returned on the AXI bus. Timing is based off the AXI AWVALID signal timing relative to the AXI RVALID assertion. Any AXI write transaction in which AWVALID was asserted before or simultaneously with the RVALID being asserted up to and including the last data beat, causes the Completion TLP(s) to be held until the pipelined or simultaneous MemWr TLP(s) have been sent.



---

**IMPORTANT:** *The transaction ordering rules for PCIe have an impact on data throughput in heavy bidirectional traffic.*

---

## Address Translation

The address space for PCIe is different than AXI address space. To access one address space from another address space requires an address translation process. On the AXI side, the bridge supports mapping to PCIe on up to six 32-bit or 64-bit AXI base address registers (BARs). The generics used to configure the BARs follow.

C\_AXIBAR\_NUM, C\_AXIBAR\_n, C\_AXIBAR\_HIGHADDR\_n, C\_AXIBAR2PCIEBAR\_n and C\_AXIBAR\_AS\_n,

where "n" represents an AXI BAR number from 0 to 5. The bridge for PCIe supports mapping on up to three 64-bit BARs for PCIe. The generics used to configure the BARs are:

C\_PCIEBAR\_NUM, C\_PCIE2AXIBAR\_n and C\_PCIEBAR\_LEN\_n,

where "n" represents a particular BAR number for PCIe from 0 to 2.

The C\_INCLUDE\_BAROFFSET\_REG generic allows for dynamic address translation. When this parameter is set to one, the AXIBAR2PCIEBAR\_n translation vectors can be changed by using the software.

In the four following examples,

- [Example 1 \(32-bit PCIe Address Mapping\)](#) demonstrates how to set up four 32-bit AXI BARs and translate the AXI address to an address for PCIe.
- [Example 2 \(64-bit PCIe Address Mapping\)](#) demonstrates how to set up three 64-bit AXI BARs and translate the AXI address to an address for PCIe.
- [Example 3](#) demonstrates how to set up two 64-bit PCIe BARs and translate the address for PCIe to an AXI address.
- [Example 4](#) demonstrates how set up a combination of two 32-bit AXI BARs and two 64 bit AXI BARs, and translate the AXI address to an address for PCIe.

### Example 1 (32-bit PCIe Address Mapping)

This example shows the generic settings to set up four independent 32-bit AXI BARs and address translation of AXI addresses to a remote address space for PCIe. This setting of AXI BARs does not depend on the BARs for PCIe within the AXI Bridge for PCIe.



In this example, where C\_AXIBAR\_NUM=4, the following assignments for each range are made:

```
C_AXIBAR_AS_0=0
C_AXIBAR_0=0x12340000
C_AXI_HIGHADDR_0=0x1234FFFF
C_AXIBAR2PCIEBAR_0=0x5671XXXX (Bits 15-0 do not matter as the lower 16-bits hold the actual lower 16-bits of the PCIe address)
```

```
C_AXIBAR_AS_1=0
C_AXIBAR_1=0xABCDE000
C_AXI_HIGHADDR_1=0xABCDFFFF
C_AXIBAR2PCIEBAR_1=0xFEDC0XXX (Bits 12-0 do not matter as the lower 13-bits hold the actual lower 13-bits of the PCIe address)
```

```
C_AXIBAR_AS_2=0
C_AXIBAR_2=0xFE000000
C_AXI_HIGHADDR_2=0xFFFFFFFF
C_AXIBAR2PCIEBAR_2=0x40XXXXXX (Bits 24-0 do not care)
```

- Accessing the Bridge AXIBAR\_0 with address 0x12340ABC on the AXI bus yields 0x56710ABC on the bus for PCIe.

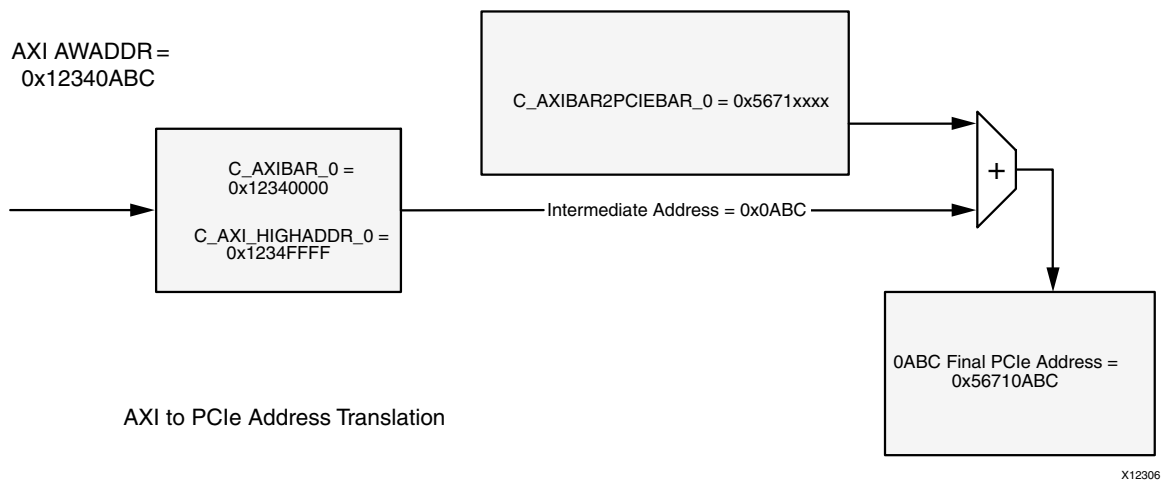


Figure 3-3: AXI to PCIe Address Translation

- Accessing the Bridge AXIBAR\_1 with address 0xABCDF123 on the AXI bus yields 0xFEDC1123 on the bus for PCIe.
- Accessing the Bridge AXIBAR\_2 with address 0xFFFFEDCBA on the AXI bus yields 0x41FEDCBA on the bus for PCIe.

## Example 2 (64-bit PCIe Address Mapping)

This example shows the generic settings to set up to three independent 64-bit AXI BARs and address translation of AXI addresses to a remote address space for PCIe. This setting of AXI BARs does not depend on the BARs for PCIe within the Bridge.

In this example, where C\_AXIBAR\_NUM=3, the following assignments for each range are made:

```
C_AXIBAR_AS_0=1
C_AXIBAR_0=0x12340000
C_AXI_HIGHADDR_0=0x1234FFFF
C_AXIBAR2PCIEBAR_0=0x500000005671XXXX (Bits 15-0 do not matter)

C_AXIBAR_AS_1=1
C_AXIBAR_1=0xABCDE000
C_AXI_HIGHADDR_1=0xABCDFFFF
C_AXIBAR2PCIEBAR_1=0x60000000FEDC0XXX (Bits 12-0 do not matter)

C_AXIBAR_AS_2=1
C_AXIBAR_2=0xFE000000
C_AXI_HIGHADDR_2=0xFFFFFFFF
C_AXIBAR2PCIEBAR_2=0x7000000040XXXXXX (Bits 24-0 do not matter)
```

- Accessing the Bridge AXIBAR\_0 with address 0x12340ABC on the AXI bus yields 0x5000000056710ABC on the bus for PCIe.
- Accessing the Bridge AXIBAR\_1 with address 0xABCDF123 on the AXI bus yields 0x60000000FEDC1123 on the bus for PCIe.
- Accessing the Bridge AXIBAR\_2 with address 0xFFFE DCBA on the AXI bus yields 0x7000000041FEDCBA on the bus for PCIe.

## Example 3

This example shows the generic settings to set up two independent BARs for PCIe and address translation of addresses for PCIe to a remote AXI address space. This setting of BARs for PCIe does not depend on the AXI BARs within the bridge.

In this example, where C\_PCIEBAR\_NUM=2, the following range assignments are made:

```
BAR 0 is set to 0x20000000_ABCD8000 by the Root Port
C_PCIEBAR_LEN_0=15
C_PCIEBAR2AXIBAR_0=0x1234_0XXX (Bits 14-0 do not matter)

BAR 1 is set to 0xA000000012000000 by Root Port
C_PCIEBAR_LEN_1=25
C_PCIEBAR2AXIBAR_1=0xFEXXXXXX (Bits 24-0 do not matter)
```

- Accessing the Bridge PCIEBAR\_0 with address 0x20000000\_ABCDFFF4 on the bus for PCIe yields 0x1234\_7FF4 on the AXI bus.

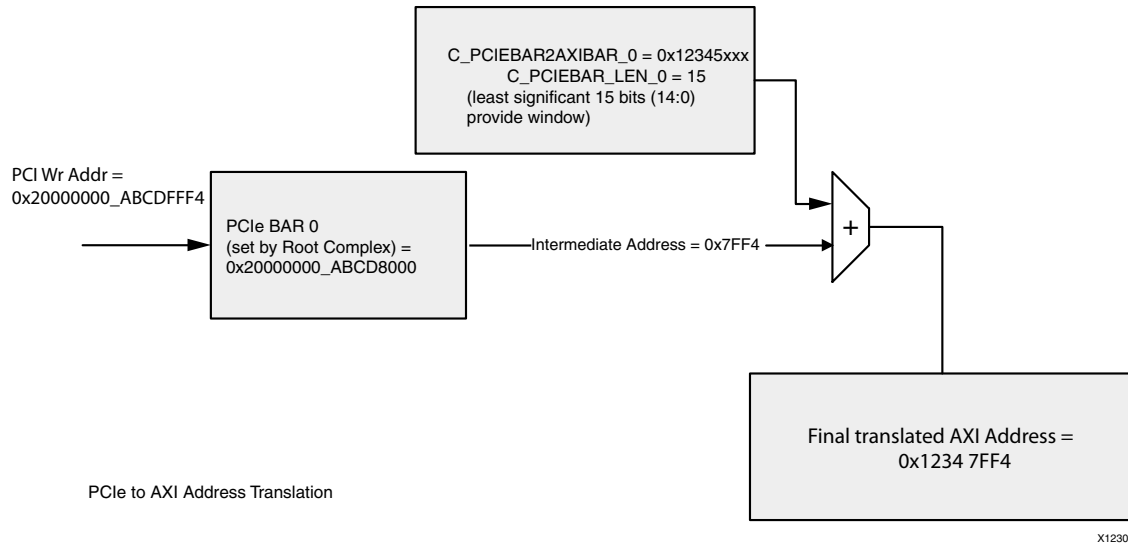


Figure 3-4: PCIe to AXI Translation

- Accessing Bridge PCIEBAR\_1 with address 0xA00000001235FEDC on the bus for PCIe yields 0xFE35FEDC on the AXI bus.

### Example 4

This example shows the generic settings to set up a combination of two independent 32-bit AXI BARs and two independent 64-bit BARs and address translation of AXI addresses to a remote address space for PCIe. This setting of AXI BARs does not depend on the BARs for PCIe within the Bridge.

In this example, where C\_AXIBAR\_NUM=4, the following assignments for each range are made:

```

C_AXIBAR_AS_0=0
C_AXIBAR_0=0x12340000
C_AXI_HIGHADDR_0=0x1234FFFF
C_AXIBAR2PCIEBAR_0=0x5671XXXX (Bits 15-0 do not matter)

C_AXIBAR_AS_1=1
C_AXIBAR_1=0xABCDE000
C_AXI_HIGHADDR_1=0xABCDFFFF
C_AXIBAR2PCIEBAR_1=0x50000000FEDC0XXX (Bits 12-0 do not matter)

C_AXIBAR_AS_2=0
C_AXIBAR_2=0xFE000000
C_AXI_HIGHADDR_2=0xFFFFFFFF
C_AXIBAR2PCIEBAR_2=0x40XXXXXX (Bits 24-0 do not matter)

C_AXIBAR_AS_3=1
C_AXIBAR_3=0x00000000
C_AXI_HIGHADDR_3=0x0000007F
C_AXIBAR2PCIEBAR_3=0x600000008765438X (Bits 6-0 do not matter)
    
```

- Accessing the Bridge AXIBAR\_0 with address 0x12340ABC on the AXI bus yields 0x56710ABC on the bus for PCIe.
- Accessing the Bridge AXIBAR\_1 with address 0xABCD123 on the AXI bus yields 0x5000000FEDC1123 on the bus for PCIe.
- Accessing the Bridge AXIBAR\_2 with address 0xFFFEDCBA on the AXI bus yields 0x41FEDCBA on the bus for PCIe.
- Accessing the AXI M S PCIe Bridge AXIBAR\_3 with address 0x00000071 on the AXI bus yields 0x6000000876543F1 on the bus for PCIe.

## Addressing Checks

When setting the following parameters for PCIe address mapping, C\_PCIE2AXIBAR\_n and C\_PCIEBAR\_LEN\_n, be sure these are set to allow for the 32-bit addressing space on the AXI system. For example, the following setting is illegal and results in an invalid AXI address.

```
C_PCIE2AXIBAR_0 = 0xFFFF_0000  
C_PCIEBAR_LEN_0 = 23
```

Also, check for a larger value on C\_PCIEBAR\_LEN\_n compared to the value assigned to parameter, C\_PCIE2AXIBAR\_n. For example, the following parameter settings.

```
C_PCIE2AXIBAR_0 = 0xFFFF_E000  
C_PCIEBAR_LEN_0 = 20
```

To keep the AXI BAR upper address bits as 0xFFFF\_E000 (to reference bits [31:13]), the C\_PCIEBAR\_LEN\_0 parameter must be set to 13.

---

## Interrupts

This section describes the interrupt pins which include Local, MSI and Legacy Interrupts.

### Local Interrupts

The INTERRUPT\_OUT pin can be configured to send interrupts based on the settings of the Interrupt Mask register. The INTERRUPT\_OUT pin signals interrupts to devices attached to the memory mapped AXI4 side of the Bridge. The MSI interrupt defined in the Interrupt Mask & Interrupt Decode registers is used to indicate the receipt of a Message Signaled Interrupt only when the bridge is operating in Root Port mode (C\_INCLUDE\_RC=1).

## MSI Interrupt

When the `MSI_enable` output pin indicates that the bridge has Endpoint MSI functionality enabled (`MSI_enable = '1'`), the `INTX_MSI_Request` input pin is defined as `MSI_Request` and can be used to trigger a Message Signaled Interrupt through a special MemWr TLP to an external Root Port for PCIe on the PCIe side of the Bridge. The `INTX_MSI_Request` input pin is positive-edge detected and synchronous to `AXI_ACLK`. The address and data contained in this MemWr TLP are determined by an external Root Port for PCIe configuration of registers within the integrated block for PCI Express. The `INTX_MSI_Request` pin input is valid only when the bridge is operating in Endpoint mode (`C_INCLUDE_RC=0`).

Additional MSI capability now supports multiple vectors on the Endpoint configuration of the AXI Bridge for PCI Express. Using the handshaking described here, an additional input value specifies the vector number to send with the MSI MemWr TLP upstream to the Root Port. This is specified on the input signal, `MSI_Vector_Num`. This signal is (4:0), and represents up to (32), the allowable MSI messages that can be sent from the Endpoint (and what is enabled after configuration).

The bridge ignores any bits set on the `MSI_Vector_Num` input signal, if they are not allocated in the Message Control Register.

The Endpoint requests the number of message as specified in the design parameter (of the AXI Bridge for PCIe), `C_NUM_MSI_REQ`. Following specification requirements, this parameter can be set up to 5. `C_NUM_MSI_REQ` represents the number of MSI vectors requested. For example, `C_NUM_MSI_REQ = 5` represents a request of  $2^5 = 32$  MSI vectors. This parameter value, `C_NUM_MSI_REQ` is assigned to the Message Control Register field, Multiple Message Capable, bits (3:1).

After configuration, the number of allocated MSI vectors is specified in the design output port, `MSI_Vector_Width`. This signal with width, (2:0), can only be values up to 5 ("101"), representing 32 allocated MSI vectors for the Endpoint. Output values of 6 and 7, "110" and "111", are reserved. The `MSI_Vector_Width` output signal is a direct correlation from the value in the Multiple Message Enable field bits (6:4) of the Message Control Register as shown in [Table 3-3](#).

Table 3-3: MSI Vectors Enabled

Value in Message Control Register	Number of Messages Requested in Message Control Register	Output Signal, <code>MSI_Vector_Width</code> (2:0)
"000"	1	"000"
"001"	2	"001"
"010"	4	"010"
"011"	8	"011"
"100"	16	"100"
"101"	32	"101"

Table 3-3: MSI Vectors Enabled

Value in Message Control Register	Number of Messages Requested in Message Control Register	Output Signal, MSI_Vector_Width (2:0)
"110"	Reserved	N/A
"111"	Reserved	N/A

Additional IP is required in the Endpoint PCIe system to create the prioritization scheme for the MSI vectors on the PCIe interface.

## Legacy Interrupts

The bridge supports legacy interrupts for PCI™ if selected by the C\_INTERRUPT\_PIN parameter. (Can only be set to 1 when C\_INCLUDE\_RC = 0.) A value of 1 selects INTA, as defined in Table 2-6. If a legacy interrupt for PCI support is selected and the MSI\_enable output pin indicates that the bridge has endpoint MSI functionality disabled (MSI\_enable = '0'), the INTX\_MSI\_Request pin is defined as INTX. When the INTX pin goes high, an assert INTA message is sent. When the INTX pin goes Low, a deassert INTA message is sent. These messages are defined in the PCI 2.1 specification. The INTX\_MSI\_Request pin input is valid only when the bridge is operating in Endpoint mode (C\_INCLUDE\_RC=0).

---

## Malformed TLP

The integrated block for PCIe Express detects a malformed TLP. For the IP configured as an Endpoint core, a malformed TLP results in a fatal error message being sent upstream if error reporting is enabled in the Device Control Register.

For the IP configured as a Root Port, when a Malformed TLP is received from the Endpoint, this can fall under one of several types of violations as per the PCIe specification. For example, if a Received TLP has the Error Poison bit set, this is discarded by the MM/S master bridge, and the MEP (Master Error Poison) bit is set in the Interrupt Decode register.

---

## Abnormal Conditions

This section describes how the Slave side (Table 3-4) and Master side (Table 3-5) of the AXI Bridge for PCI Express handle abnormal conditions.

### Slave Bridge Abnormal Conditions

Slave Bridge abnormal conditions are classified as: Illegal Burst Type and Completion TLP Errors. The following sections describe the manner in which the Bridge handles these errors.

## Illegal Burst Type

The Slave Bridge monitors AXI read and write burst type inputs to ensure that only the INCR (incrementing burst) type is requested. Any other value on these inputs is treated as an error condition and the Slave Illegal Burst (SIB) interrupt is asserted. In the case of a read request, the Bridge asserts `SLVERR` for all data beats and arbitrary data is placed on the `S_AXI_RDATA` bus. In the case of a write request, the Bridge asserts `SLVERR` for the write response and all write data is discarded.

## Completion TLP Errors

Any request to the bus for PCIe (except for posted Memory write) requires a completion TLP to complete the associated AXI request. The Slave side of the Bridge checks the received completion TLPs for errors and checks for completion TLPs that are never returned (Completion Timeout). Each of the completion TLP error types are discussed in the subsequent sections.

### Unexpected Completion

When the Slave Bridge receives a completion TLP, it matches the header RequesterID and Tag to the outstanding RequesterID and Tag. A match failure indicates the TLP is an Unexpected Completion which results in the completion TLP being discarded and a Slave Unexpected Completion (`SUC`) interrupt strobe being asserted. Normal operation then continues.

### Unsupported Request

A device for PCIe might not be capable of satisfying a specific read request. For example, the read request targets an unsupported address for PCIe causing the completer to return a completion TLP with a completion status of "0b001 - Unsupported Request". The completer can also return a completion TLP with a completion status that is "reserved" according to the 2.1 PCIe Specification, which must be treated as an unsupported request status. When the slave bridge receives an unsupported request response, the Slave Unsupported Request (`SUR`) interrupt is asserted and the `SLVERR` response is asserted with arbitrary data on the memory mapped AXI4 bus.

### Completion Timeout

A Completion Timeout occurs when a completion (Cpl) or completion with data (CplD) TLP is not returned after an AXI to PCIe read request. Completions must complete within the `C_COMP_TIMEOUT` parameter selected value from the time the MemRd for PCIe request is issued. When a completion timeout occurs, a Slave Completion Timeout (`SCT`) interrupt is asserted and the `SLVERR` response is asserted with arbitrary data on the memory mapped AXI4 bus.

### Poison Bit Received on Completion Packet

An Error Poison occurs when the completion TLP "EP" bit is set, indicating that there is poisoned data in the payload. When the slave bridge detects the poisoned packet, the Slave Error Poison (SEP) interrupt is asserted and the SLVERR response is asserted with arbitrary data on the memory mapped AXI4 bus.

### Completer Abort

A Completer Abort occurs when the completion TLP completion status is "0b100 - Completer Abort". This indicates that the completer has encountered a state in which it was unable to complete the transaction. When the slave bridge receives a completer abort response, the Slave Completer Abort (SCA) interrupt is asserted and the SLVERR response is asserted with arbitrary data on the memory mapped AXI4 bus.

Table 3-4: Slave Bridge Response to Abnormal Conditions

Transfer Type	Abnormal Condition	Bridge Response
Read	Illegal burst type	SIB interrupt is asserted. SLVERR response given with arbitrary read data.
Write	Illegal burst type	SIB interrupt is asserted. Write data is discarded. SLVERR response given.
Read	Unexpected completion	SUC interrupt is asserted. Completion is discarded.
Read	Unsupported Request status returned	SUR interrupt is asserted. SLVERR response given with arbitrary read data.
Read	Completion timeout	SCT interrupt is asserted. SLVERR response given with arbitrary read data.
Read	Poison bit in completion	Completion data is discarded. SEP interrupt is asserted. SLVERR response given with arbitrary read data.
Read	Completer Abort (CA) status returned	SCA interrupt is asserted. SLVERR response given with arbitrary read data.

## Master Bridge Abnormal Conditions

The following sections describe the manner in which the Master Bridge handles abnormal conditions.



## AXI DECERR Response

When the Master Bridge receives a DECERR response from the AXI bus, the request is discarded and the Master DECERR (MDE) interrupt is asserted. If the request was non-posted, a completion packet with the Completion Status = Unsupported Request (UR) is returned on the bus for PCIe.

## AXI SLVERR Response

When the Master Bridge receives a SLVERR response from the addressed AXI slave, the request is discarded and the Master SLVERR (MSE) interrupt is asserted. If the request was non-posted, a completion packet with the Completion Status = Completer Abort (CA) is returned on the bus for PCIe.

## Max Payload Size for PCIe, Max Read Request Size or 4K Page Violated

It is the responsibility of the requester to ensure that the outbound request adhere to the Max Payload Size, Max Read Request Size, and 4 Kb Page Violation rules. If the master bridge receives a request that violates one of these rules, the bridge processes the invalid request as a valid request, which can return a completion that violates one of these conditions or can result in the loss of data. The Master Bridge does not return a malformed TLP completion to signal this violation.

## Completion Packets

When the MAX\_READ\_REQUEST\_SIZE is greater than the MAX\_PAYLOAD\_SIZE, a read request for PCIe can ask for more data than the Master Bridge can insert into a single completion packet. When this situation occurs, multiple completion packets are generated up to MAX\_PAYLOAD\_SIZE, with the Read Completion Boundary (RCB) observed.

## Poison Bit

When the poison bit is set in a transaction layer packet (TLP) header, the payload following the header is corrupt. When the Master Bridge receives a memory request TLP with the poison bit set, it discards the TLP and asserts the Master Error Poison (MEP) interrupt strobe.

## Zero Length Requests

When the Master Bridge receives a read request with the Length = 0x1, FirstBE = 0x00, and LastBE = 0x00, it responds by sending a completion with Status = Successful Completion. When the Master Bridge receives a write request with the Length = 0x1, FirstBE = 0x00, and LastBE = 0x00 there is no effect.

Table 3-5: Master Bridge Response to Abnormal Conditions

Transfer Type	Abnormal Condition	Bridge Response
Read	DECERR response	MDE interrupt strobe asserted Completion returned with Unsupported Request status
Write	DECERR response	MDE interrupt strobe asserted
Read	SLVERR response	MSE interrupt strobe asserted Completion returned with Completer Abort status
Write	SLVERR response	MSE interrupt strobe asserted
Write	Poison bit set in request	MEP interrupt strobe asserted Data is discarded
Read	DECERR response	MDE interrupt strobe asserted Completion returned with Unsupported Request status
Write	DECERR response	MDE interrupt strobe asserted

## Link Down Behavior

The normal operation of the AXI Bridge for PCIe is dependent on the Integrated Block for PCIe establishing and maintaining the point-to-point link with an external device for PCIe. If the link has been lost, it must be re-established to return to normal operation.

When a Hot Reset is received by the AXI Bridge for PCIe, the link goes down and the PCI Configuration Space must be reconfigured.

Initiated AXI4 write transactions that have not yet completed on the AXI4 bus when the link goes down have a `SLVERR` response given and the write data is discarded. Initiated AXI4 read transactions that have not yet completed on the AXI4 bus when the link goes down have a `SLVERR` response given, with arbitrary read data returned.

Any MemWr TLPs for PCIe that have been received, but the associated AXI4 write transaction has not started when the link goes down, are discarded. If the associated AXI4 write transaction is in the process of being transferred, it completes as normal. Any MemRd TLPs for PCIe that have been received, but have not returned completion TLPs by the time the link goes down, complete on the AXI4 bus, but do not return completion TLPs on the PCIe bus.

---

## Root Port

When configured to support Root Port functionality, the AXI Bridge for PCIe fully supports Root Port operation as supported by the underlying block. There are a few details that need special consideration. The following subsections contain information and design considerations about Root Port support.

## Power Limit Message TLP

The AXI Bridge for PCIe automatically sends a Power Limit Message TLP when the Master Enable bit of the Command Register is set. The software must set the Requester ID register before setting the Master Enable bit to ensure that the desired Requester ID is used in the Message TLP.

## Root Port Configuration Read

When an ECAM access is performed to the primary bus number, self-configuration of the integrated block for PCIe is performed. A PCIe configuration transaction is not performed and is not presented on the link. When an ECAM access is performed to the bus number that is equal to the secondary bus value in the Enhanced PCIe type 1 configuration header, then type 0 configuration transactions are generated.

When an ECAM access is attempted to a bus number that is in the range defined by the secondary bus number and subordinate bus number range (not including secondary bus number), then type 1 configuration transactions are generated. The primary, secondary and subordinate bus numbers are written and updated by Root Port software to the type 1 PCI Configuration Header of the AXI Bridge for PCIe in the enumeration procedure.

When an ECAM access is attempted to a bus number that is out of the range defined by the secondary bus\_number and subordinate bus number, the bridge does not generate a configuration request and signal a `SLVERR` response on the AXI4-Lite bus.

When a Unsupported Request (UR) response is received for a configuration read request, all ones are returned on the AXI4-Lite bus to signify that a device does not exist at the requested device address. It is the responsibility of the software to ensure configuration write requests are not performed to device addresses that do not exist. However, the AXI Bridge for PCIe IP core asserts `SLVERR` response on the AXI4-Lite bus when a configuration write request is performed on device addresses that do not exist or a UR response is received.

If a configuration transaction is attempted to a device number other than zero, the AXI Bridge for PCIe asserts `SLVERR` on the AXI4-Lite bus. PCIe transactions are generated for only the device number of zero.

## Unsupported Request to Upstream Traffic

To receive upstream traffic from a connected device, the Root Ports PCIe BAR\_0 must be configured. If BAR\_0 is not configured, the Root Port responds to requests with a Completion returned with Unsupported Request status.

## Configuration Transaction Timeout

Configuration transactions are non-posted transactions. The AXI Bridge for PCIe IP core has a timer for timeout termination of configuration transactions that have not completed on the PCIe link. `SLVERR` is returned when a configuration timeout occurs. Timeout of configuration transactions are flagged by an interrupt as well.

## Abnormal Configuration Transaction Termination Responses

Responses on AXI4-Lite to abnormal terminations to configuration transactions are shown in [Table 3-6](#).

*Table 3-6: Responses of AXI Bridge for PCIe to Abnormal Configuration Terminations*

Transfer Type	Abnormal Condition	Bridge Response
Config Read or Write	Bus number not in the range of primary bus number through subordinate bus number	SLVERR response is asserted
Config Read or Write	Valid bus number and completion timeout occurs	SLVERR response is asserted
Config Read or Write	Device number not zero	SLVERR response is asserted
Config Read or Write	Completion timeout	SLVERR response is asserted
Config Write	Bus number in the range of secondary bus number through subordinate bus number and UR is returned.	SLVERR response is asserted

# SECTION II: VIVADO DESIGN SUITE

Customizing and Generating the Core

Constraining the Core

# Customizing and Generating the Core

This chapter includes information about using the Vivado™ Design Suite to customize and generate the core.

---

## Graphical User Interface

The AXI Memory Mapped to PCI Express® core is a fully configurable and highly customizable solution. The core is customized using the Vivado IP Catalog.

**Note:** The screen captures in this chapter are conceptual representatives of their subjects and provide general information only. For the latest information, see the Vivado IP Catalog.

## Customizing the Core using the Vivado IP Catalog

The Customize IP dialog box for the AXI Memory Mapped to PCI Express® consists of the following pages:

- [Basic Parameter Settings](#)
- [PCIe Link Configuration](#)
- [PCIe ID Settings](#)
- [Base Address Registers](#)
- [PCIe Misc](#)
- [AXI Base Address Registers](#)
- [AXI System](#)

### Basic Parameter Settings

The initial customization screen shown in [Figure 4-1](#) is used to define the basic parameters for the core, including the component name, reference clock frequency, and silicon type.

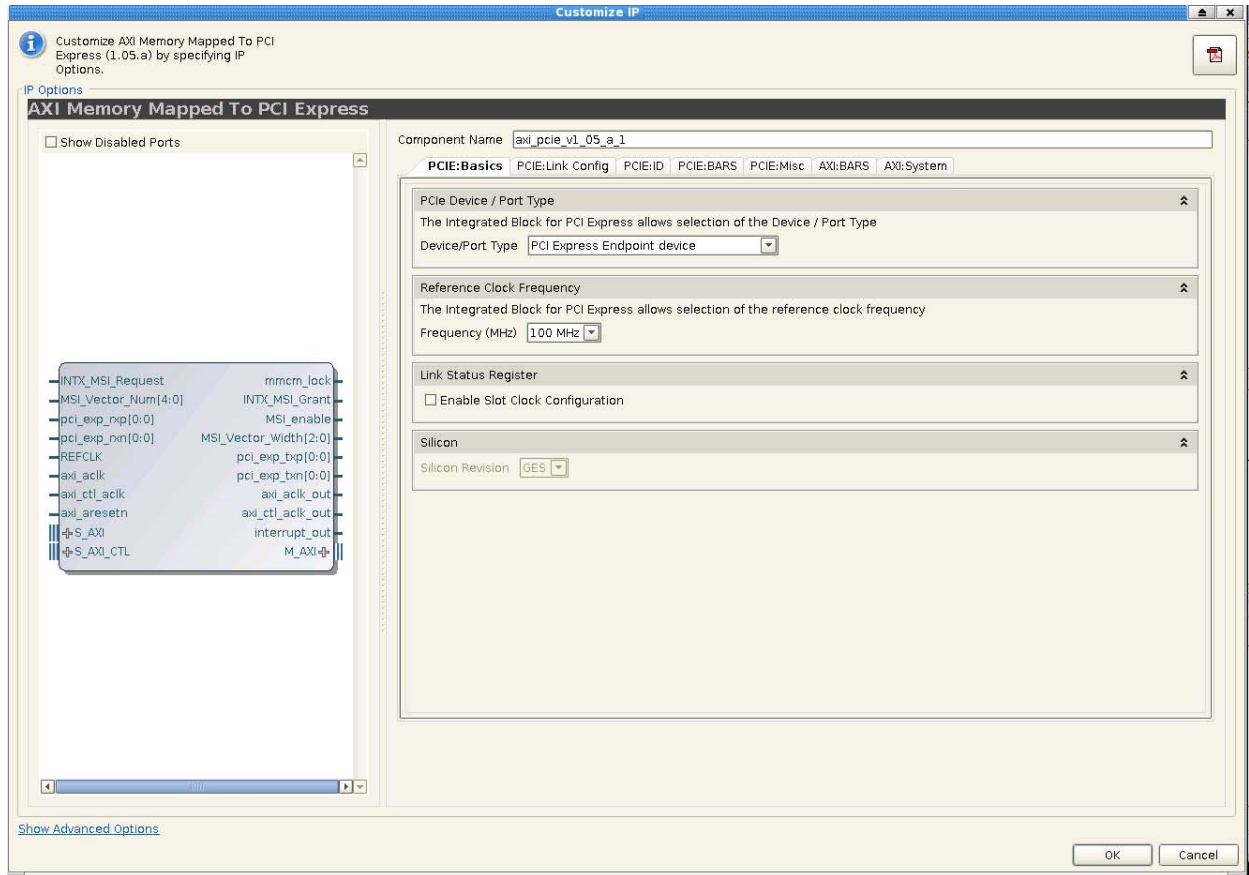


Figure 4-1: Basic Parameter Settings

### Component Name

Base name of the output files generated for the core. The name must begin with a letter and can be composed of these characters: a to z, 0 to 9, and “\_”

### PCIe Device / Port Type

Indicates the PCI Express logical device type.

### Reference Clock Frequency

Selects the frequency of the reference clock provided on `sys_clk`.

### Slot Clock Configuration

Enables the Slot Clock Configuration bit in the Link Status register. Selecting this option means the link is synchronously clocked. See [Clocking, page 44](#) for more information on clocking options.

## Silicon Type

Selects the silicon type.

## PCIe Link Configuration

The Interface Settings page is shown in [Figure 4-2](#).

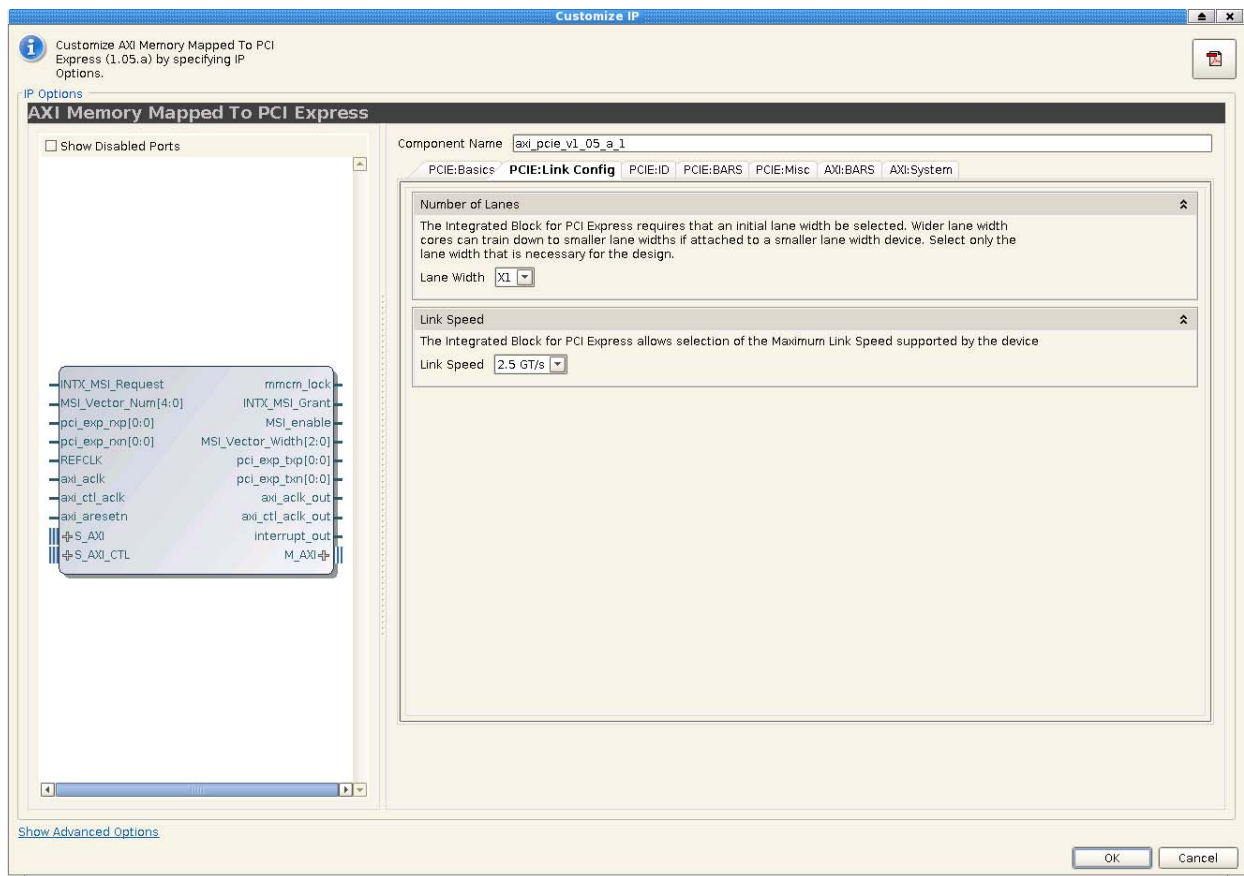


Figure 4-2: PCIe Link Configuration

## Number of Lanes

The AXI Memory Mapped to PCI Express® core requires the selection of the initial lane width. [Table 4-1](#) defines the available widths and associated generated core. Wider lane width cores can train down to smaller lane widths if attached to a smaller lane-width device.

Table 4-1: Lane Width and Product Generated

Lane Width	Product Generated
x1	1-Lane
x2	2-Lane



Table 4-1: Lane Width and Product Generated

Lane Width	Product Generated
x4	4-Lane
x8	8-Lane

### Link Speed

The AXI Memory Mapped to PCI Express® allows the selection of Maximum Link Speed supported by the device. Table 4-2 defines the lane widths and link speeds supported by the device. Higher link speed cores are capable of training to a lower link speed if connected to a lower link speed capable device.

Table 4-2: Lane Width and Link Speed

Lane Width	Link Speed
x1	2.5 Gb/s, 5 Gb/s
x2	2.5 Gb/s, 5 Gb/s
x4	2.5 Gb/s, 5 Gb/s
x8	2.5 Gb/s, 5 Gb/s

### PCIe ID Settings

The Identity Settings pages are shown in Figure 4-3. These settings customize the IP initial values and device class code.

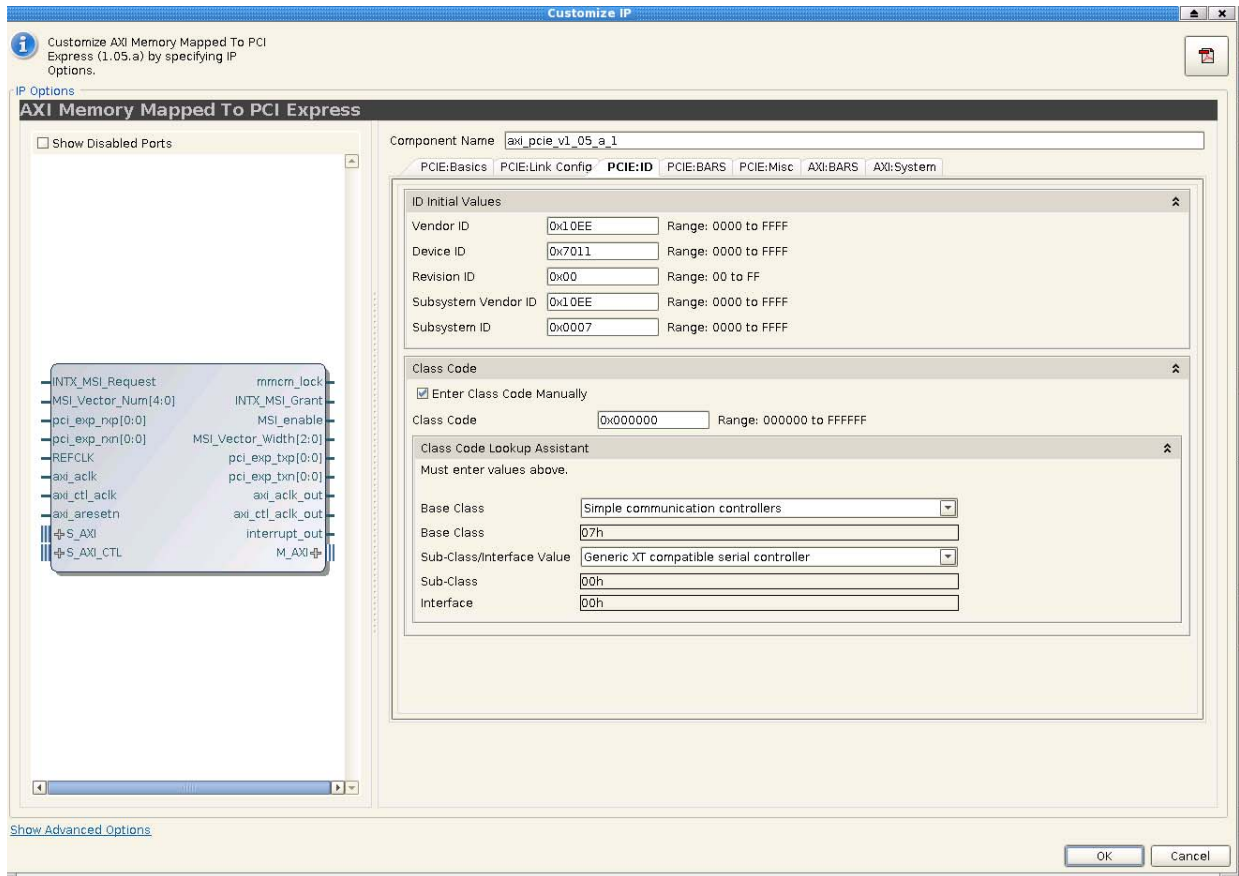


Figure 4-3: PCIe ID Settings

### ID Initial Values

- **Vendor ID:** Identifies the manufacturer of the device or application. Valid identifiers are assigned by the PCI™ Special Interest Group to guarantee that each identifier is unique. The default value, 10EEh, is the Vendor ID for Xilinx. Enter your vendor identification number here. FFFFh is reserved.
- **Device ID:** A unique identifier for the application; the default value, which depends on the configuration selected, is 70<link speed><link width>h. This field can be any value; change this value for the application.
- **Revision ID:** Indicates the revision of the device or application; an extension of the Device ID. The default value is 00h; enter values appropriate for the application.
- **Subsystem Vendor ID:** Further qualifies the manufacturer of the device or application. Enter a Subsystem Vendor ID here; the default value is 10EEh. Typically, this value is the same as Vendor ID. Setting the value to 0000h can cause compliance testing issues.
- **Subsystem ID:** Further qualifies the manufacturer of the device or application. This value is typically the same as the Device ID; the default value depends on the lane width and link speed selected. Setting the value to 0000h can cause compliance testing issues.

## Class Code

The Class Code identifies the general function of a device, and is divided into three byte-size fields. The customization GUI allows you to either enter the 24-bit value manually (default) by either selecting the **Enter Class Code Manually** checkbox or using the Class Code lookup assistant to populate the field. De-select the “Enter Class Code Manually” checkbox to enable the Class Code assistant.

- **Base Class:** Broadly identifies the type of function performed by the device.
- **Sub-Class:** More specifically identifies the device function.
- **Interface:** Defines a specific register-level programming interface, if any, allowing device-independent software to interface with the device.

Class code encoding can be found at [www.pcisig.com](http://www.pcisig.com) [Ref 4].

## Class Code Look-up Assistant

The Class Code Look-up Assistant provides the Base Class, Sub-Class and Interface values for a selected general function of a device. This Look-up Assistant tool only displays the three values for a selected function. You must enter the values in Class Code for these values to be translated into device settings.

## Base Address Registers

The Base Address Registers (BARs) screens shown in [Figure 4-4](#) set the base address register space for the Endpoint configuration. Each BAR (0 through 5) configures the BAR Aperture Size and Control attributes of the Physical Function, as described in [Table 4-3, page 69](#).

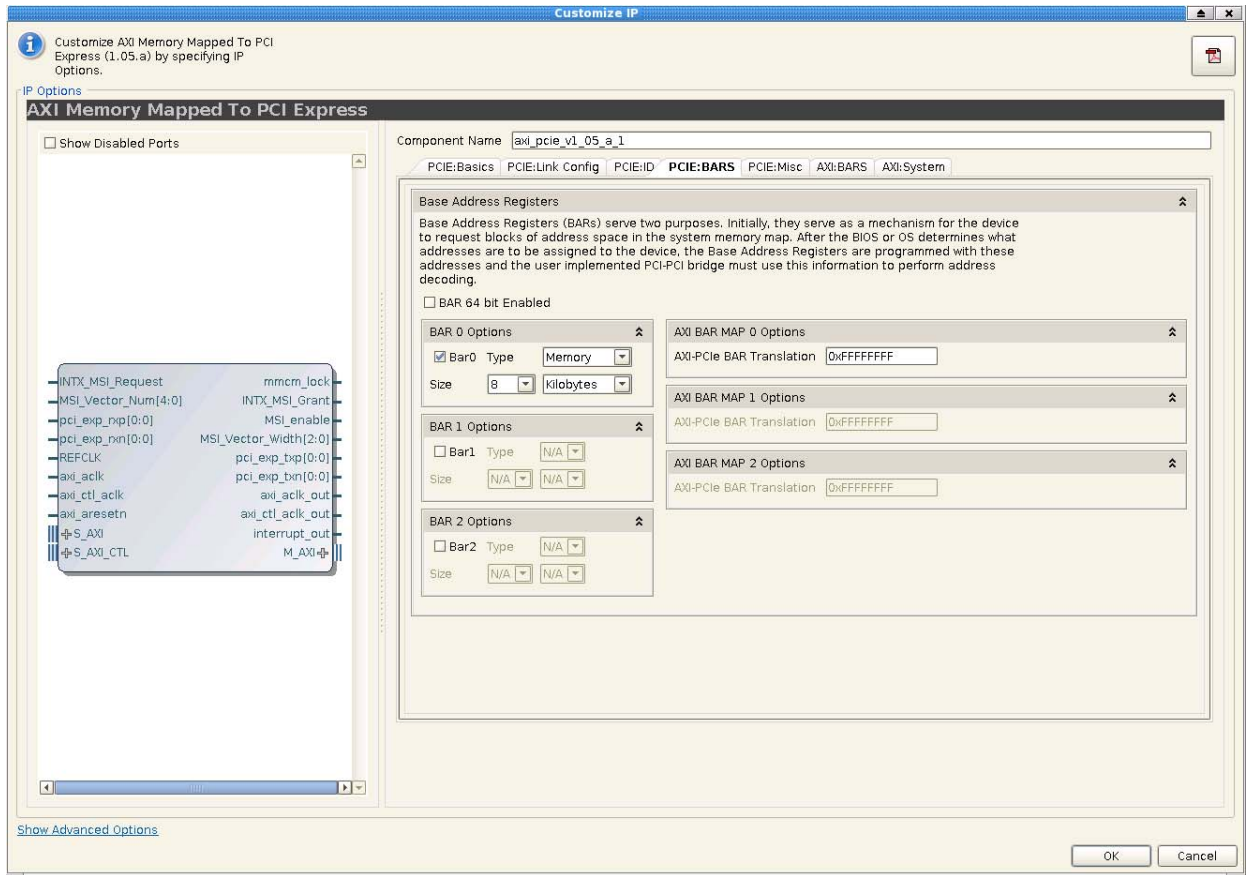


Figure 4-4: PCIe Base Address Register

### Base Address Register Overview

The AXI Memory Mapped to PCI Express® in Endpoint configuration supports up to three 32-bit BARs or three 64-bit BARs. The AXI Memory Mapped to PCI Express® in Root Port configuration supports one 32-bit BARs or one 64-bit BAR.

BARs can be one of two sizes. The selection applies to all BARs.

- **32-bit BARs:** The address space can be as small as 16 bytes or as large as 2 gigabytes. Used for Memory to I/O.
- **64-bit BARs:** The address space can be as small as 128 bytes or as large as 8 exabytes. Used for Memory only.

All BAR registers share these options:

- **Checkbox:** Click the checkbox to enable the BAR; deselect the checkbox to disable the BAR.
- **Type:** BARs can be Memory apertures only.

- **Memory:** Memory BARs can be either 64-bit or 32-bit and can be prefetchable. When a BAR is set as 64 bits, it uses the next BAR for the extended address space and makes the next BAR inaccessible to you.
- **Size:** The available Size range depends on the PCIe® Device/Port Type and the Type of BAR selected. [Table 4-3](#) lists the available BAR size ranges.

Table 4-3: BAR Size Ranges for Device Configuration

PCIe Device/Port Type	BAR Type	BAR Size Range
PCI Express Endpoint	32-bit Memory	128 Bytes - 2 Gigabytes
	64-bit Memory	128 Bytes - 8 Exabytes

- **Value:** The value assigned to the BAR based on the current selections.

For more information about managing the Base Address Register settings, see [Managing Base Address Register Settings](#).

### Managing Base Address Register Settings

Memory indicates that the address space is defined as memory aperture. The base address register only responds to commands that access the specified address space. Generally, memory spaces less than 4 KB in size should be avoided.

### Disabling Unused Resources

For best results, disable unused base address registers to conserve system resources. A base address register is disabled by deselecting unused BARs in the GUI.

### PCIe Misc

The PCIe miscellaneous screen is shown in [Figure 4-5](#).

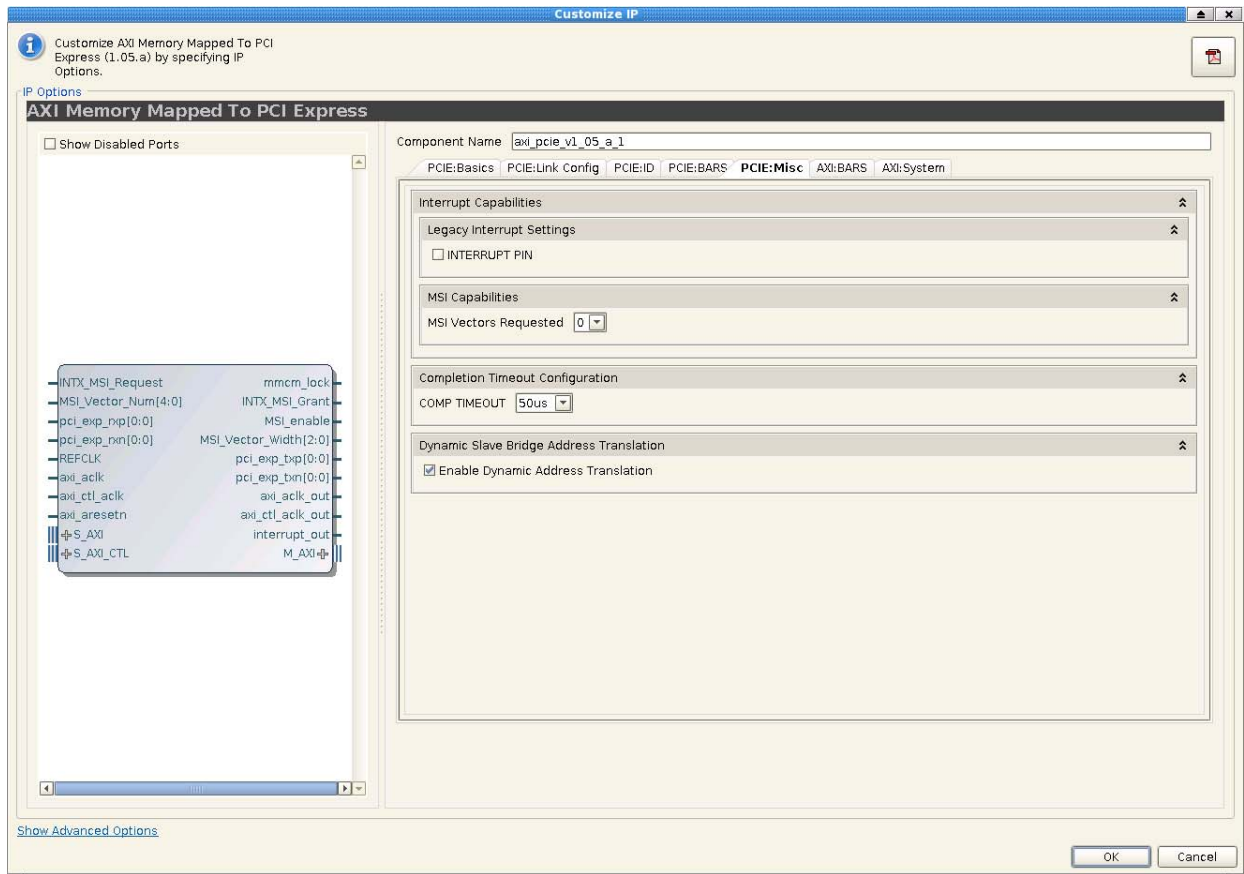


Figure 4-5: PCI's Miscellaneous

### Interrupt Pin

Indicates the usage of Legacy interrupts. The AXI Memory Mapped to PCI Express® core implements INTA only.

### MSI Vectors Requested

Indicates the number of MSI vectors requested by the core.

### Completion Timeout Configuration

Indicates the completion timeout value for incoming completions due to outstanding memory read requests.

### Dynamic Slave Bridge Address Translation

Enables the address translation vectors within the AXI Memory Mapped to PCI Express® bridge logic to be changed dynamically via the AXI Lite interface.

## AXI Base Address Registers

The AXI Base Address Registers (BARs) screen shown in Figure 4-6 set the AXI base address registers and the translation between AXI Memory space and PCI Express Memory space. Each BAR has a Base Address, High Address, and translation field which can be configured via the GUI.

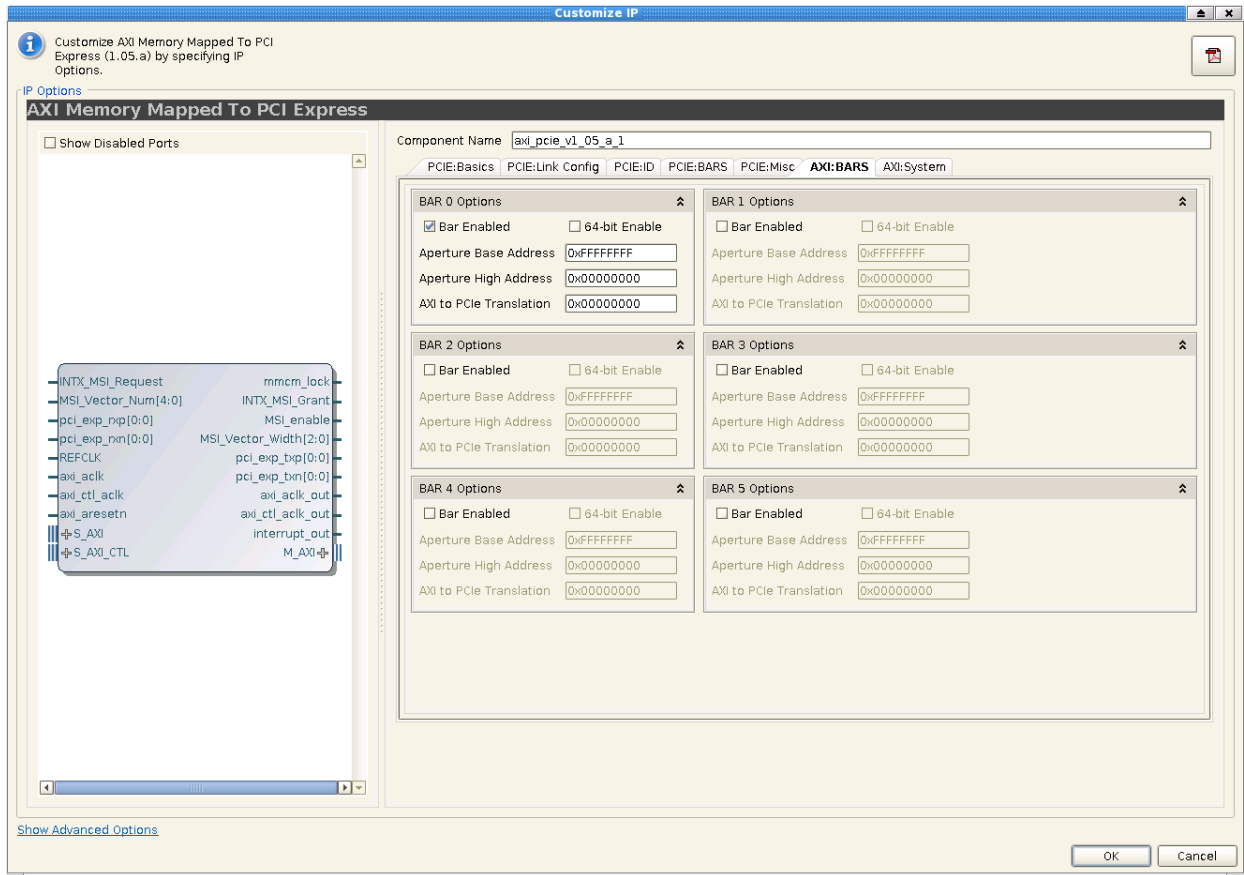


Figure 4-6: AXI Base Address Registers

### Bar Enabled

Indicates if the AXI Base Address Register is enabled.

### 64-bit Enable

Indicates if the AXI Base Address Register is 64-bit addressable.

### Aperture Base Address

Sets the base address for the address range associated to the BAR.

### Aperture High Address

Sets the upper address threshold for the address range associated to the BAR.

### AXI to PCIe Translation

Configures the translation mapping between AXI and PCI Express address space.

SRIOV BARs can be one of two sizes:

- **32-bit BARs:** The address space can be as small as 16 bytes or as large as 2 gigabytes. Used for Memory to I/O.
- **64-bit BARs:** The address space can be as small as 128 bytes or as large as 8 exabytes. Used for Memory only.

### AXI System

The AXI System screen shown in Figure 4-7 sets the AXI Addressing and AXI Interconnect parameters.

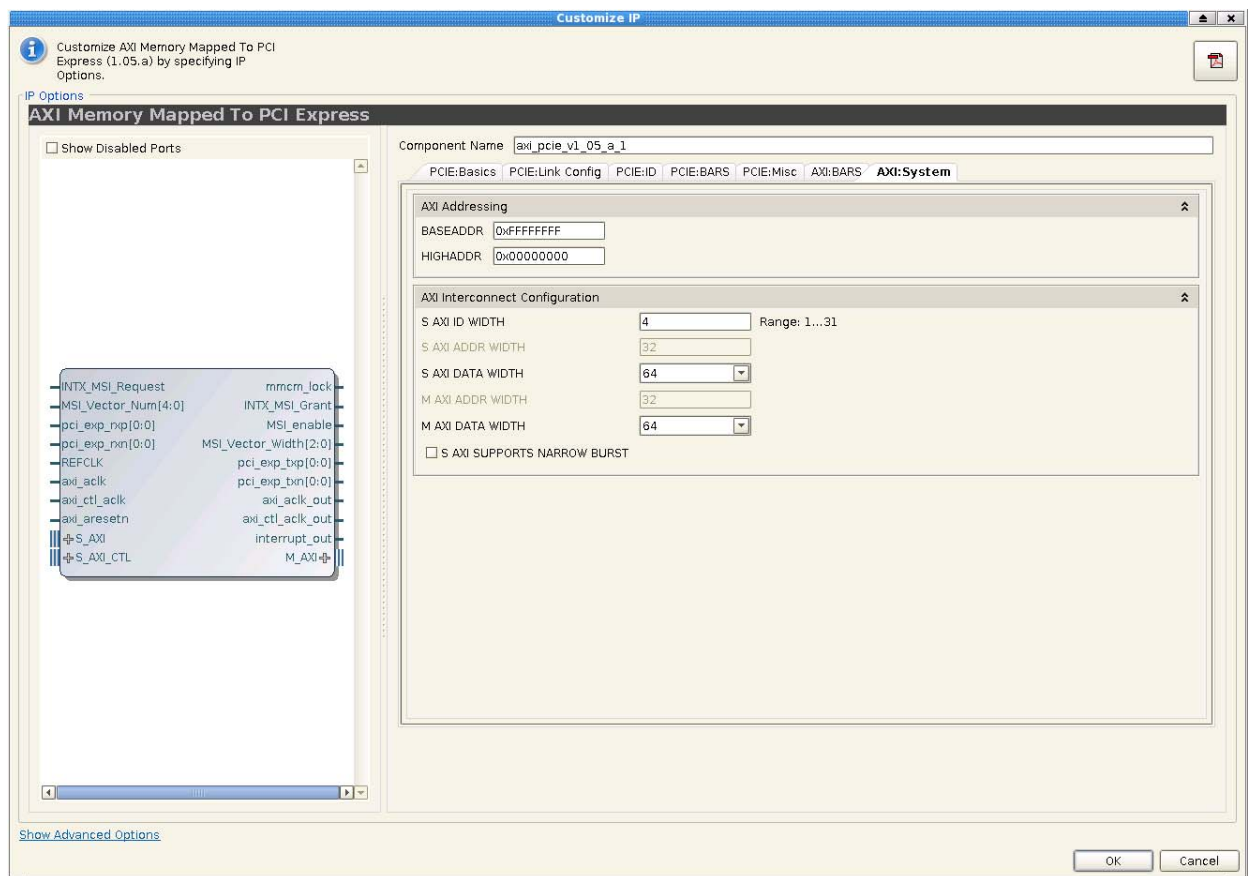


Figure 4-7: AXI System Settings



**BASEADDR**

Sets the AXI Base Address for the device.

**BASEADDR**

Sets the AXI High Address threshold for the device.

**S AXI ID WIDTH**

Sets the ID width for the AXI Slave Interface.

**S AXI ADDR WIDTH**

Sets the ID width for the AXI Slave Interface. AXI supports 32-bit addressing so this field is always set to 32.

**S AXI DATA WIDTH**

Sets the data bus width for the AXI Slave interface. When X4G2 is selected, a 128-bit interface is recommended to achieve maximum performance.

**M AXI ADDR WIDTH**

Sets the ID width for the AXI Master Interface. AXI supports 32-bit addressing so this field is always set to 32.

**M AXI DATA WIDTH**

Sets the data bus width for the AXI Master interface. When X4G2 is selected, a 128-bit interface is recommended to achieve maximum performance.

**S AXI SUPPORTS NARROW BURST**

Configures the IP to accept narrow burst transactions. When not enabled, the IP is optimized accordingly.

# Constraining the Core

---

## Required Constraints

The AXI Bridge for PCIe® core requires a clock period constraint for the REFCLK input that agrees with the C\_REF\_CLK\_FREQ parameter setting. In addition, pin-placement (LOC) constraints are needed that are board/part/package specific.

See [Placement Constraints](#) for more details on the constraint paths for FPGA architectures.

Additional information on clocking can be found in the Xilinx Solution Center for PCI Express (see [Solution Centers, page 85](#)).

---

## System Integration

A typical embedded system including the AXI Bridge for PCIe core is shown in [Figure 2-2, page 10](#). Some additional components to this system in the EDK environment can include the need to connect the MicroBlaze™ processor or Zynq™ ARM® processor peripheral to communicate with PCI Express (in addition to the AXI4-Lite register port on the PCIe bridge). The EDK provides a helper core to achieve this functionality and bridges transactions from the AXI4-Lite MicroBlaze processor peripheral ports (DP and IP) to the AXI4 Interconnect (connected to the AXI Bridge for PCIe). The axi2axi\_connector IP core provides this support and you can connect this in the EDK environment.

The AXI Bridge for PCIe core can be configured with each port connection for an AXI EDK system topology. When instantiating the core, ensure the following bus interface tags are defined.

```
BUS_INTERFACE M_AXI
BUS_INTERFACE S_AXI
BUS_INTERFACE S_AXI_CTL
```

## PCIe Clock Integration

The PCIe differential clock input in the system might need to use a differential input buffer (that is instantiated separately) from the AXI Bridge for the PCIe core. IP Integrator automatically inserts the appropriate clock buffer.

---

## Placement Constraints

The core level Tcl supports timing constraints for the AXI PCIe core. You can find the generated XDC file in the IP Sources tab after generating the IP in the Customize IP dialog box.

For design platforms, it might be necessary to manually place and constrain the underlying blocks of the AXI Bridge for the PCIe core. The modules to assign a LOC constraint include:

- the embedded Integrated Block for PCIe itself
- the GTX transceivers (for each channel)
- the PCIe differential clock input (if utilized)

Because these blocks are embedded in the AXI Bridge for PCIe core, the following path constraints must be utilized. The path names for each of these blocks vary based on the FPGA architecture. The following subsection describes example constraints for the 7 series architecture. All example constraints provided here are supported in the XDC file for Vivado designs.

### Constraints for 7 Series FPGAs

This section highlights the LOC constraints to be specified in the XDC file for the AXI Bridge for PCIe core for 7 series FPGA design implementations.

For placement/path information on the Integrated Block for PCIe itself, the following constraint can be utilized:

```
set_property LOC PCIE_X*Y* [get_cells -hier -match_style ucf {*pcie_7x_i/  
pcie_block_i}]
```

For placement/path information of the GTX transceivers, the following constraint can be utilized:

```
set_property LOC GTXE2_CHANNEL_X*Y* [get_cells {*pipe_wrapper_i/  
pipe_lane[*].gt_wrapper_i/gtx_channel.gtxe2_channel_i}]
```

For placement/path constraints of the input PCIe differential clock source (using the example provided in the section, [System Integration](#)), the following can be utilized:

```
set_property LOC IBUFDS_GTE2_X*Y* [get_cells {*/PCIe_Diff_Clk_I/  
USE_IBUFDS_GTE2.GEN_IBUFDS_GTE2[0].IBUFDS_GTE2_I}]
```

## Constraints for Artix-7 FPGAs

Special consideration must be given to Artix™-7 device implementations. The same IP block constraint can be used as described previously (see [Constraints for 7 Series FPGAs, page 75](#)). However, the PCIe serial transceiver wrapper instance is different in the IP. Use the following LOC constraint for the GTP transceivers in Artix-7 devices.

```
set_property LOC GTPE2_CHANNEL_X*Y* [get_cells -hier -match_style ucf  
{*pipe_wrapper_i/pipe_lane[0].gt_wrapper_i/gtp_channel.gtpe2_channel_i}]
```

Also for Artix-7 devices, the GTP\_COMMON must be constrained to a location. The following LOC constraint can be utilized.

```
set_property LOC GTPE2_COMMON_X*Y* [get_cells -hier -match_style ucf  
{*pipe_wrapper_i/pipe_lane[0].pipe_quad.pipe_common.qpll_wrapper_i/  
gtp_common.gtpe2_common_i}]
```

---

## Clock Frequencies

The AXI Memory Mapped to PCI Express Bridge supports reference clock frequencies of 100MHz and 250MHz and is configurable within the customization GUI.

# SECTION III: ISE DESIGN SUITE

## Constraining the Core

# Constraining the Core

---

## Required Constraints

The AXI Bridge for PCIe IP core requires a clock period constraint for the REFCLK input that agrees with the C\_REF\_CLK\_FREQ parameter setting. In addition, pin-placement (LOC) constraints are needed that are board/part/package specific.

See [Placement Constraints](#) for more details on the constraint paths for FPGA architectures.

Additional information is available in the [Xilinx Solution Center for PCI Express](#).

---

## System Integration

A typical embedded system including the AXI Bridge for PCIe is shown in [Figure 2-2, page 10](#). Some additional components to this system in the Embedded Developers Kit (EDK) environment can include the need to connect the MicroBlaze™ processor peripheral ports to communicate with PCI Express® (in addition to the AXI4-Lite register port on the PCIe bridge). The EDK provides a helper core to achieve this functionality and bridges transactions from the AXI4-Lite MicroBlaze processor peripheral ports (DP and IP) to the AXI4 Interconnect (connected to the AXI Bridge for PCIe). The axi2axi\_connector IP core provides this support and you can connect this in the EDK environment.

The AXI Bridge for PCIe IP core can be configured with each port connection for an AXI EDK system topology. When instantiating the core, ensure the following bus interface tags are defined.

```
BUS_INTERFACE M_AXI
BUS_INTERFACE S_AXI
BUS_INTERFACE S_AXI_CTL
```

## PCIe Clock Integration

The PCIe differential clock input in the EDK system might need to use a differential input buffer (that is instantiated separately) from the AXI Bridge for the PCIe core. This can be accomplished with a separate IP block available in the EDK under the name util\_ds\_buf.

The I/O buffer instantiation for the PCIe differential clock on Spartan®-6 design implementations is described here. The buffer type is specific for Spartan-6 FPGAs.

```
BEGIN util_ds_buf
  PARAMETER INSTANCE = PCIe_Diff_Clk_I
  PARAMETER HW_VER = 1.01.a
  PARAMETER C_BUF_TYPE = IBUFDS
  PORT IBUF_DS_P = PCIe_Diff_Clk_P
  PORT IBUF_DS_N = PCIe_Diff_Clk_N
  PORT IBUF_OUT = PCIe_Diff_Clk
END
```

A Virtex®-6 FPGA I/O buffer instantiation follows (as in the MHS file). The buffer type is specific for the Virtex-6 architecture.

```
BEGIN util_ds_buf
  PARAMETER INSTANCE = PCIe_Diff_Clk_I
  PARAMETER HW_VER = 1.01.a
  PARAMETER C_BUF_TYPE = IBUFDSGTXE
  PORT IBUF_DS_P = PCIe_Diff_Clk_P
  PORT IBUF_DS_N = PCIe_Diff_Clk_N
  PORT IBUF_OUT = PCIe_Diff_Clk
END
```

A 7 series FPGA I/O buffer instantiation follows (as it would appear in the MHS file). The buffer type that follows is specific to Kintex™-7 FPGA implementations. The buffer type can change based on target FPGA technology.

```
BEGIN util_ds_buf
  PARAMETER INSTANCE = PCIe_Diff_Clk_I
  PARAMETER HW_VER = 1.01.a
  PARAMETER C_BUF_TYPE = IBUFDSGTE
  PORT IBUF_DS_P = PCIe_Input_Clk_P
  PORT IBUF_DS_N = PCIe_Input_Clk_N
  PORT IBUF_OUT = PCIe_Diff_Clk
END
```

The corresponding location constraints for the PCIe clock differential buffer are highlighted in the following section.

---

## Placement Constraints

If you use the Base System Builder (BSB) in the EDK, placement and timing constraints are auto-generated for specific FPGA technologies. These include the SP605, ML605, and KC705. The VC707 with PCI Express is not supported in the BSB flow at this time.



**RECOMMENDED:** Use the Base System Builder tool as a guide for creating the necessary placement and timing constraints on the AXI Bridge for PCIe core.

---

Core level timing constraints are supported. The generated UCF can be found in the `./implementation/<name of AXI PCIe C_INSTANCE from MHS file>`.

For design platforms, it might be necessary to manually place and constrain the underlying blocks of the AXI Bridge for the PCIe core. The modules to assign a LOC constraint include:

- the PCIe embedded block itself
- the PCIe GTX transceivers (for each channel)
- the PCIe differential clock input (if utilized)

Because these blocks are embedded in the AXI Bridge for PCIe bridge IP core, the following path constraints must be utilized. The path names for each of these blocks vary based on the FPGA architecture. The following sections describe example constraints for each supported FPGA architecture: Spartan-6, Virtex-6, 7 series, and Artix™-7. See [Constraints for Spartan-6 Devices](#), [Constraints for Virtex-6 Devices](#), [Constraints for 7 Series FPGAs](#), and [Constraints for Artix-7 FPGAs](#). All example constraints provided in this document are supported in the UCF for EDK designs.

## Constraints for Spartan-6 Devices

For placement constraints on Spartan-6 FPGA designs, see the *Spartan-6 FPGA GTP Transceiver User Guide* for more information. Spartan-6 FPGA designs can LOC the I/Os on the PCIe design to use the corresponding serial transceivers in the UCF.

## Constraints for Virtex-6 Devices

This section highlights the LOC constraints to be specified in the UCF for the AXI Bridge for PCIe core for Virtex-6 FPGA design implementations. The "\*" characters must be specified for the FPGA/board design.

For placement/path information on the PCIe block itself, the following constraint can be utilized.

```
INST "*/pcie_2_0_i/pcie_block_i" LOC = PCIE_X*Y*;
```

For placement/path information of the PCIe GTX transceivers, the following constraint can be utilized.

```
INST "*/pcie_2_0_i/pcie_gt_i/gtx_v6_i/GTXD[0].GTX" LOC = GTXE1_X*Y*;
```

For placement/path constraints of the input PCIe differential clock source (using the example provided in the section, [System Integration](#)), the following can be utilized.

```
INST "*/PCIE_Diff_Clk_I/USE_IBUFDS_GTXE1.GEN_IBUFDS_GTXE1[0].IBUFDS_GTXE1_I" LOC = IBUFDS_GTXE1_X*Y*;
```

The "PCIE\_Diff\_Clk\_I" is the name of the instance (in the MHS file) given to the differential buffer (util\_ds\_buf) in the MHS file as highlighted in the section, [System Integration](#).



## Constraints for 7 Series FPGAs

This section highlights the LOC constraints to be specified in the UCF for the AXI Bridge for PCIe core for 7 series FPGA design implementations. The "\*" characters must be specified for the FPGA/board design.

For placement/path information on the PCIe block itself, the following constraint can be utilized.

```
INST "**pcie_7x*/**pcie_top_i/pcie_7x_i/pcie_block_i" LOC = PCIE_X*Y*;
```

For placement/path information of the GTX transceivers, the following constraint can be utilized.

```
INST "**pcie_7x*/**gt_top_i/pipe_wrapper_i/pipe_lane[*].gt_wrapper_i/  
gtx_channel.gtxe2_channel_i" LOC = GTXE2_CHANNEL_X*Y*;
```

For placement/path constraints of the input PCIe differential clock source (using the example provided in the section, [System Integration](#)), the following can be utilized.

```
INST "**/PCIE_Diff_Clk_I/USE_IBUFDS_GTE2.GEN_IBUFDS_GTE2[0].IBUFDS_GTE2_I" LOC =  
IBUFDS_GTE2_X*Y*;
```

The "PCIE\_Diff\_Clk\_I" is the name of the instance (in the MHS file) given to the differential buffer (util\_ds\_buf) in the MHS file as highlighted in the section, [System Integration](#), page 78.

## Constraints for Artix-7 FPGAs

Special consideration must be given to Artix-7 device implementations. The same IP block constraint can be used as described previously (see [Constraints for 7 Series FPGAs](#), page 81). However, the PCIe serial transceiver wrapper instance is different in the IP. Use the following LOC constraint for the GTP transceivers in Artix-7 devices.

```
INST "**pcie_7x*/**gt_top_i/pipe_wrapper_i/pipe_lane[*].gt_wrapper_i/  
gtp_channel.gtpe2_channel_i" LOC = GTPE2_CHANNEL_X*Y*;
```

Also for Artix-7 devices, the GTP\_COMMON must be constrained to a location. The following LOC constraint can be utilized.

```
INST "**pcie_7x*/**gt_top_i/pipe_wrapper_i/  
pipe_lane[*].pipe_quad.pipe_common.qpll_wrapper_i/gtp_common.gtpe2_common_i" LOC =  
GTPE2_COMMON_X*Y*;
```

## SECTION IV: APPENDICES

Migrating

Debugging

Additional Resources

# Migrating

For information on migrating to the Vivado™ Design Suite, see UG911, *Vivado Design Suite Migration Methodology Guide* [\[Ref 2\]](#).

# Debugging

See [Solution Centers in Appendix C](#) for information helpful to the debugging progress.

# Additional Resources

---

## Xilinx Resources

For support resources such as Answers, Documentation, Downloads, and Forums, see the Xilinx Support website at:

[www.xilinx.com/support](http://www.xilinx.com/support).

For a glossary of technical terms used in Xilinx documentation, see:

[www.xilinx.com/company/terms.htm](http://www.xilinx.com/company/terms.htm).

---

## Solution Centers

See the [Xilinx Solution Centers](#) for support on devices, software tools, and intellectual property at all stages of the design cycle. Topics include design assistance, advisories, and troubleshooting tips.

For debugging issues specific to the AXI Bridge for PCI Express, see [AXI Bridge for PCI Express - Release Notes and Known Issues for All Versions](#).

---

## References

This section provides links to supplemental material useful to this document:

1. To search for the following Xilinx documentation, go to [www.xilinx.com/support/documentation/index.htm](http://www.xilinx.com/support/documentation/index.htm):
  - *Xilinx AXI Reference Guide* (UG761)
  - *Virtex-6 FPGA Integrated Block for PCI Express User Guide* (UG671)
  - *Spartan-6 FPGA Integrated Endpoint Block for PCI Express User Guide* (UG672)
  - *7 Series FPGAs Integrated Block for PCI Express Product Guide* (PG054)

2. [Vivado™ Design Suite 2012.3 Documentation](#)
3. ARM® documentation
  - [AMBA AXI4-Stream Protocol Specification](#)
4. PCI-SIG® documentation ([www.pcisig.com/specifications](http://www.pcisig.com/specifications))
  - *PCI Express Base Specification v1.1 and §7.19 of v2.0*
  - *PCI Express Base Specification v1.1 and v2.0, §7.2.2*
  - *PCI Express Base Specification v2.1*

## Technical Support

Xilinx provides technical support at [www.xilinx.com/support](http://www.xilinx.com/support) for this LogiCORE™ IP product when used as described in the product documentation. Xilinx cannot guarantee timing, functionality, or support of product if implemented in devices that are not defined in the documentation, if customized beyond that allowed in the product documentation, or if changes are made to any section of the design labeled DO NOT MODIFY.

See the IDS Embedded Edition Derivative Device Support web page ([www.xilinx.com/ise/embedded/ddsupport.htm](http://www.xilinx.com/ise/embedded/ddsupport.htm)) for a complete list of supported derivative devices for this core.

## Revision History

The following table shows the revision history for this document.

Date	Version	Revision
07/25/12	1.0	Initial Xilinx release. This release is for core version 1.04.a with ISE Design Suite 14.2 and Vivado Design Suite 2012.2. This document replaces DS820, <i>LogiCORE IP AXI Bridge for PCI Express Data Sheet</i> .
10/16/12	1.1	<ul style="list-style-type: none"> <li>• Updated core v1.05a, ISE Design Suite 14.3, and Vivado Design Suite 2012.3.</li> <li>• Added <a href="#">Chapter 4, Customizing and Generating the Core</a>.</li> <li>• Major updates to <a href="#">PCIe Clock Integration</a>.</li> <li>• Added <a href="#">Unsupported Request to Upstream Traffic and Clock Frequencies</a>.</li> </ul>

---

## Notice of Disclaimer

The information disclosed to you hereunder (the "Materials") is provided solely for the selection and use of Xilinx products. To the maximum extent permitted by applicable law: (1) Materials are made available "AS IS" and with all faults, Xilinx hereby DISCLAIMS ALL WARRANTIES AND CONDITIONS, EXPRESS, IMPLIED, OR STATUTORY, INCLUDING BUT NOT LIMITED TO WARRANTIES OF MERCHANTABILITY, NON-INFRINGEMENT, OR FITNESS FOR ANY PARTICULAR PURPOSE; and (2) Xilinx shall not be liable (whether in contract or tort, including negligence, or under any other theory of liability) for any loss or damage of any kind or nature related to, arising under, or in connection with, the Materials (including your use of the Materials), including for any direct, indirect, special, incidental, or consequential loss or damage (including loss of data, profits, goodwill, or any type of loss or damage suffered as a result of any action brought by a third party) even if such damage or loss was reasonably foreseeable or Xilinx had been advised of the possibility of the same. Xilinx assumes no obligation to correct any errors contained in the Materials or to notify you of updates to the Materials or to product specifications. You may not reproduce, modify, distribute, or publicly display the Materials without prior written consent. Certain products are subject to the terms and conditions of the Limited Warranties which can be viewed at <http://www.xilinx.com/warranty.htm>; IP cores may be subject to warranty and support terms contained in a license issued to you by Xilinx. Xilinx products are not designed or intended to be fail-safe or for use in any application requiring fail-safe performance; you assume sole risk and liability for use of Xilinx products in Critical Applications: <http://www.xilinx.com/warranty.htm#critapps>.

© Copyright 2012 Xilinx, Inc. Xilinx, the Xilinx logo, Artix, ISE, Kintex, Spartan, Virtex, Vivado, Zynq, and other designated brands included herein are trademarks of Xilinx in the United States and other countries. AMBA, AMBA Designer, ARM, ARM1176JZ-S, CoreSight, Cortex, and PrimeCell are trademarks of ARM in the EU and other countries. PCI, PCI Express, PCIe, and PCI-X are trademarks of PCI-SIG. All other trademarks are the property of their respective owners.