

# MIPI D-PHY v3.0

## *LogiCORE IP Product Guide*

**Vivado Design Suite**

**PG202 October 5, 2016**

# Table of Contents

## IP Facts

### Chapter 1: Overview

Feature Summary . . . . .	5
Applications . . . . .	6
Unsupported Features . . . . .	6
Licensing and Ordering Information . . . . .	6

### Chapter 2: Product Specification

MIPI D-PHY TX (Master) Core Architecture . . . . .	7
MIPI D-PHY RX (Slave) Core Architecture . . . . .	9
Standards . . . . .	11
Performance . . . . .	11
Resource Utilization . . . . .	13
Port Descriptions . . . . .	13
Register Space . . . . .	24

### Chapter 3: Designing with the Core

General Design Guidelines . . . . .	29
Shared Logic . . . . .	30
I/O Planning . . . . .	34
Clocking . . . . .	36
Resets . . . . .	40
Protocol Description . . . . .	42

### Chapter 4: Design Flow Steps

Customizing and Generating the Core . . . . .	52
Constraining the Core . . . . .	58
Simulation . . . . .	60
Synthesis and Implementation . . . . .	60

### Chapter 5: Example Design

Overview . . . . .	61
Simulating the Example Design . . . . .	62

## Chapter 6: Test Bench

### Appendix A: Verification, Compliance, and Interoperability

Hardware Validation .....	65
---------------------------	----

### Appendix B: Debugging

Finding Help on Xilinx.com .....	66
Vivado Design Suite Debug Tools .....	67
Simulation Debug .....	68
Hardware Debug .....	69
AXI4-Lite Interface Debug .....	71

### Appendix C: Additional Resources and Legal Notices

Xilinx Resources .....	72
References .....	72
Revision History .....	73
Please Read: Important Legal Notices .....	73

## Introduction

The Xilinx® MIPI D-PHY IP core is designed for transmission and reception of video or pixel data for camera and display interfaces. The core is used as the physical layer for higher level protocols such as the Mobile Industry Processor Interface (MIPI) Camera Serial Interface (CSI-2) and Display Serial Interface (DSI).

This product guide provides information about using, customizing, and simulating the core for UltraScale+, and 7-series FPGA families. It also describes the core architecture and provides details on customizing and interfacing to the core.

## Features

- Compliant to MIPI Alliance Standard for D-PHY Specification, version 1.1.
- Synchronous transfer at high-speed mode with a bit rate of 80-1,500 Mb/s
- One clock lane and up to four data lanes
- Asynchronous transfer at low-power mode with a bit rate of 10 Mb/s
- Ultra low-power mode, and high-speed mode for clock lane
- Ultra low-power mode, high-speed mode, and escape mode for data lane
- PHY-Protocol Interface (PPI) to connect CSI-2 and DSI applications
- Optional AXI4-Lite interface for register access

LogiCORE™ IP Facts Table	
<b>Core Specifics</b>	
Supported Device Family <sup>(1)</sup>	UltraScale+™ Families Zynq® UltraScale+ MPSoC 7 Series
Supported User Interfaces	PPI, AXI4-Lite
Resources	<a href="#">Performance and Resource Utilization web page</a>
<b>Provided with Core</b>	
Design Files	Encrypted RTL
Example Design	Verilog
Test Bench	Verilog
Constraints File	Xilinx Design Constraints (XDC)
Simulation Model	Not Provided
Supported S/W Driver	N/A
<b>Tested Design Flows<sup>(2)</sup></b>	
Design Entry	Vivado® Design Suite
Simulation	For supported simulators, see the <a href="#">Xilinx Design Tools: Release Notes Guide</a> .
Synthesis	Vivado synthesis
<b>Support</b>	
Provided by Xilinx at the <a href="#">Xilinx Support web page</a>	

**Notes:**

1. For a complete list of supported devices, see the Vivado IP catalog.
2. For the supported versions of the tools, see the [Xilinx Design Tools: Release Notes Guide](#).

# Overview

The MIPI D-PHY core is a full-featured IP core, incorporating all the necessary logic to properly communicate on this high-speed I/O interface standard. The core supports transmission/reception of camera sensor and video data from/to a standard-format PHY-Protocol Interface (PPI) using the high-speed SelectIO™ interface.

Figure 1-1 shows a high-level view of the MIPI D-PHY with all its components.

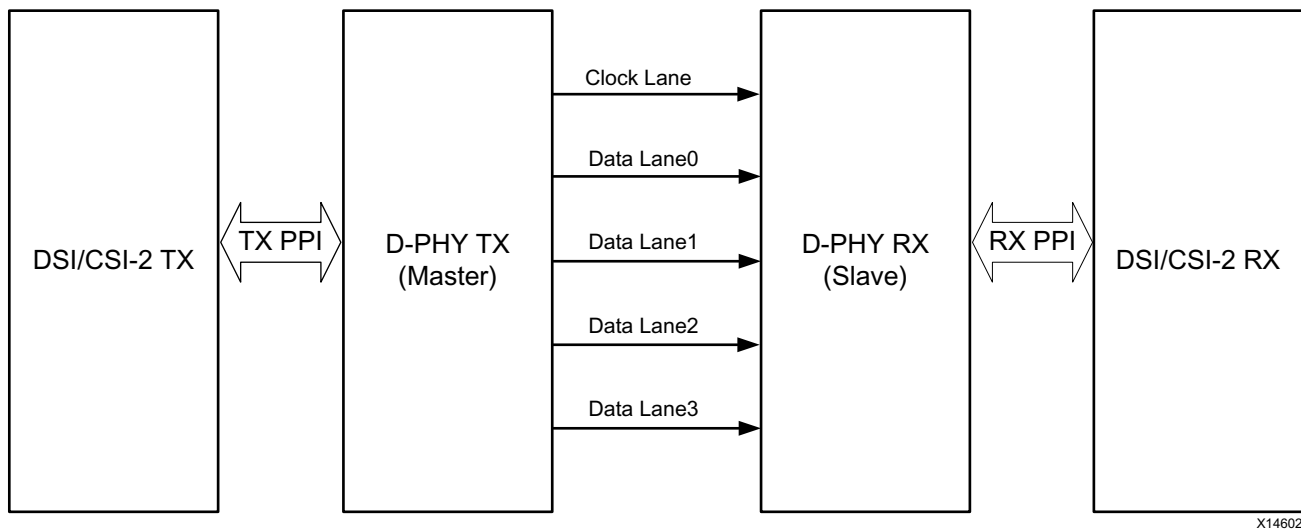


Figure 1-1: D-PHY IP Overview

## Feature Summary

The MIPI D-PHY core can be configured as a Master (TX) or Slave (RX). It supports high-speed data transfer up to 1,500 Mb/s, and control data can be transferred using Low-Power Data Transfer mode at 10 Mb/s. The PPI interface allows a seamless interface to DSI and/or CSI IP cores. Using the MIPI D-PHY core Vivado® Integrated Design Environment (IDE)-based I/O planner, you can customize the data lane(s) selection by selecting the I/O bank followed by the clock lane. Optionally, the MIPI D-PHY core provides an AXI4-Lite interface to update the protocol timer values and retrieve the core status for debugging purposes.

---

## Applications

The MIPI D-PHY core can be used to interface with the MIPI CSI-2 and DSI controller TX/RX devices. This core allows for seamless integration with higher level protocol layers through the PPI.

---

## Unsupported Features

- Link turnaround (reverse data communication)
- Low-power contention detection
- 8B9B encoding

---

## Licensing and Ordering Information

This Xilinx LogiCORE™ IP module is provided at no additional cost with the Xilinx Vivado Design Suite under the terms of the [Xilinx End User License](#). Information about this and other Xilinx LogiCORE IP modules is available at the [Xilinx Intellectual Property](#) page. For information about pricing and availability of other Xilinx LogiCORE IP modules and tools, contact your [local Xilinx sales representative](#).

# Product Specification

The MIPI D-PHY core is a physical layer that supports the MIPI CSI-2 and DSI protocols. It is a universal PHY that can be configured as either a transmitter or a receiver. The core consists of an analog front end to generate and receive the electrical level signals, and a digital backend to control the I/O functions.

The MIPI D-PHY core provides a point-to-point connection between master and slave, or host and device that comply with a relevant MIPI standard. A typical configuration consists of a clock lane and 1 to 4 data lanes. The master/host is primarily the source of data, and the slave/device is usually the sink of data. The D-PHY lanes can be configured for unidirectional lane operation, originating at the master and terminating at the slave. The core can be configured to operate as a master or as a slave. The D-PHY link supports a high-speed (HS) mode for fast data traffic and a low-power (LP) mode for control transactions.

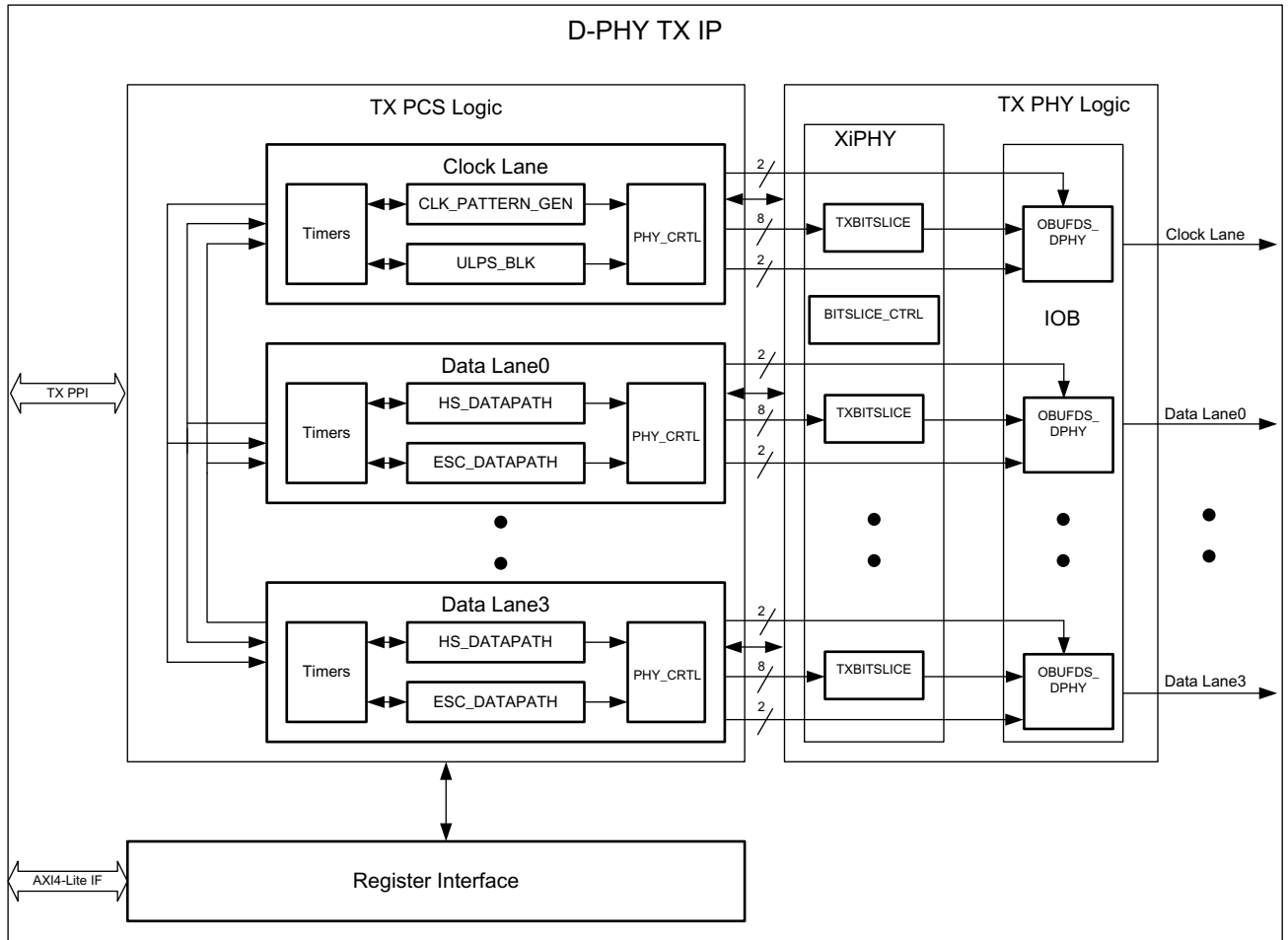
- In HS mode, the low-swing differential signal supports data transfers from 80 Mb/s to 1,500 Mb/s.
- In LP mode, all wires operate as a single-ended line capable of supporting 10 Mb/s asynchronous data communications.

---

## MIPI D-PHY TX (Master) Core Architecture

Figure 2-1 shows the MIPI D-PHY TX (Master) core architecture for UltraScale+™ family and Zynq® UltraScale+ MPSoC devices. The TX core is partitioned into three major blocks:

- **TX Physical Coding Sublayer (PCS) Logic:** Provides the PPI to the core and generates the necessary controls to the PHY for the lane operation. It also generates entry sequences, line switching between low power and high speed, and performs lane initialization.
- **TX PHY Logic:** Integrates the BITSlice\_CONTROL and TX\_BITSlice in native mode and D-PHY-compatible I/O block. This block does serialization and has clocking implementation for the PHY.
- **Register Interface:** Optional AXI4-Lite register interface to control mandatory protocol timers and registers.



X14603-012616

Figure 2-1: MIPI D-PHY TX (Master) Core Architecture for UltraScale+ Family

Figure 2-2 shows the MIPI D-PHY TX (Master) Core Architecture for the 7-Series FPGA family.



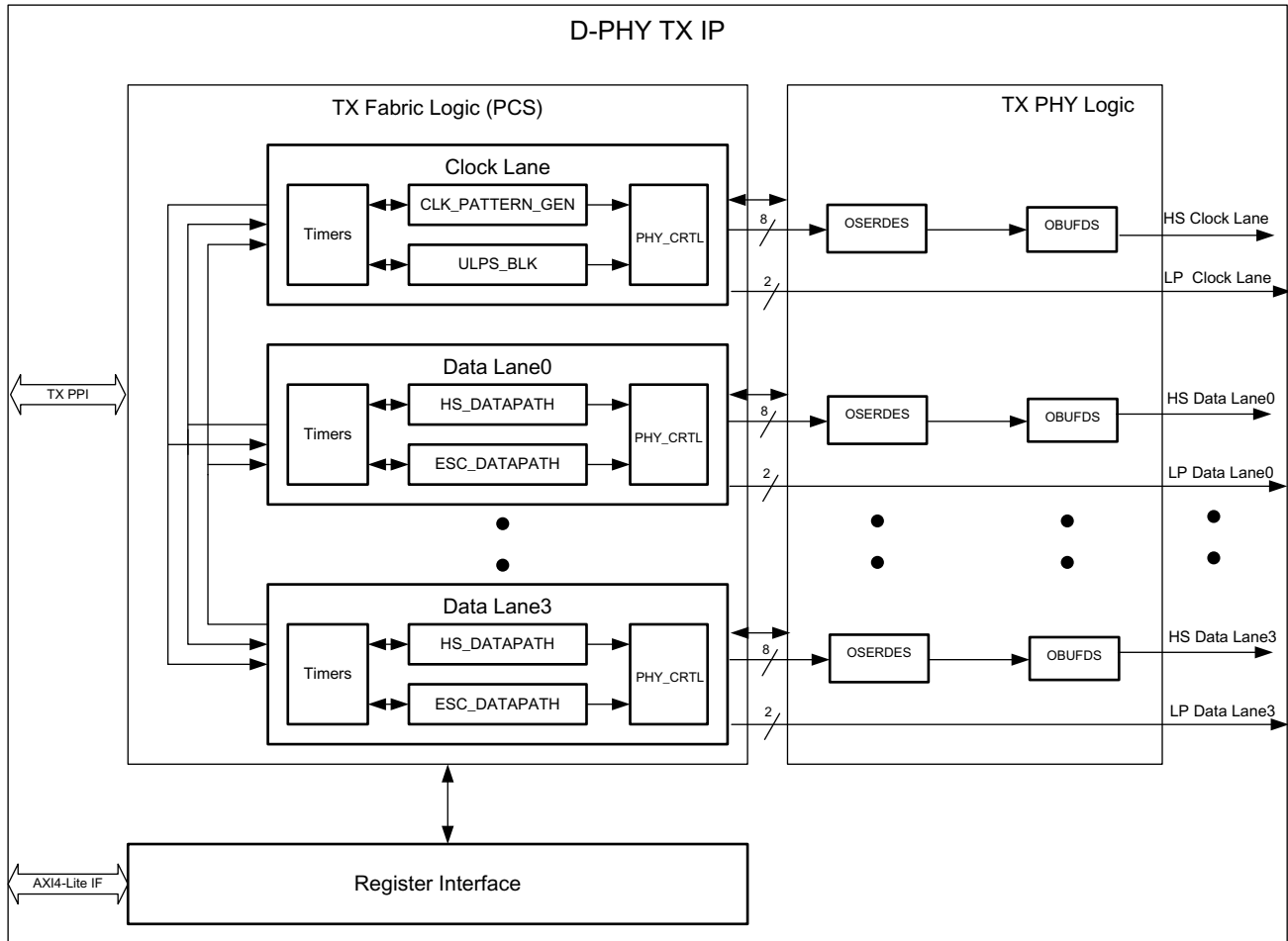


Figure 2-2: MIPI D-PHY TX (Master) Core Architecture for 7-Series FPGA Family

## MIPI D-PHY RX (Slave) Core Architecture

Figure 2-3 shows the MIPI D-PHY RX (Slave) core architecture for UltraScale+™ family and Zynq® UltraScale+ MPSoC devices. The RX core is partitioned into three major blocks:

- **RX PCS Logic:** Interfaces with PHY and delivers PHY-Protocol Interface (PPI)-compliant transactions such as High-Speed and Escape mode Low-Power Data Transmission (LPDT) packets. It is also responsible for lane initialization, start-of-transmission (SoT) detection, and clock recovery in escape mode.
- **RX PHY Logic:** Performs clock recovery in high-speed mode and de-serialization. Integrates the BITSlice\_CONTROL and RX\_BITSLICE in native mode and D-PHY compatible I/O block.
- **Register Interface:** Optional AXI4-Lite register interface to control protocol mandatory timers and registers.

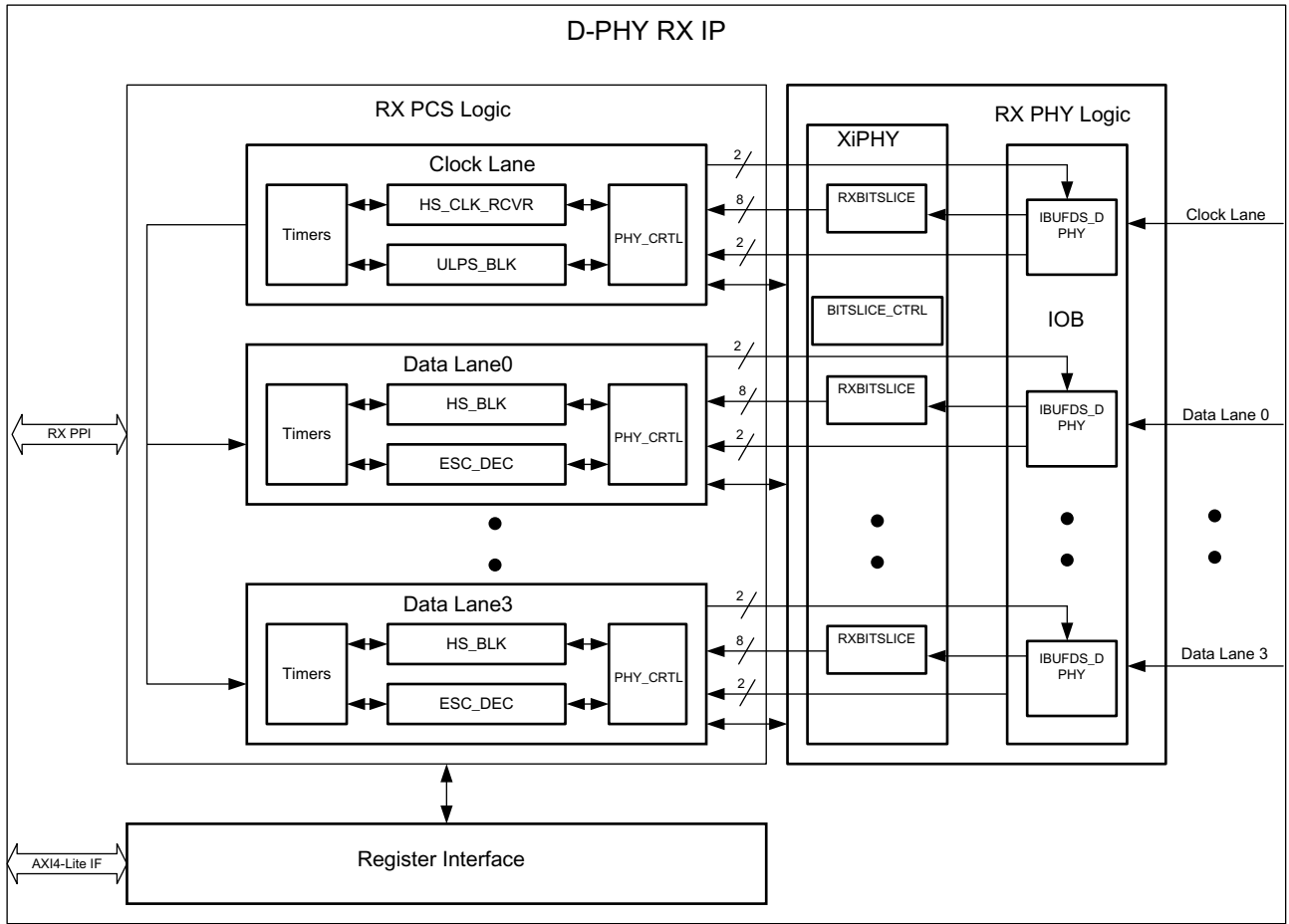


Figure 2-3: MIPI D-PHY RX (Slave) Core Architecture for UltraScale+ Family

Figure 2-4 shows the MIPI D-PHY RX (Slave) Core Architecture for the 7-Series FPGA family.

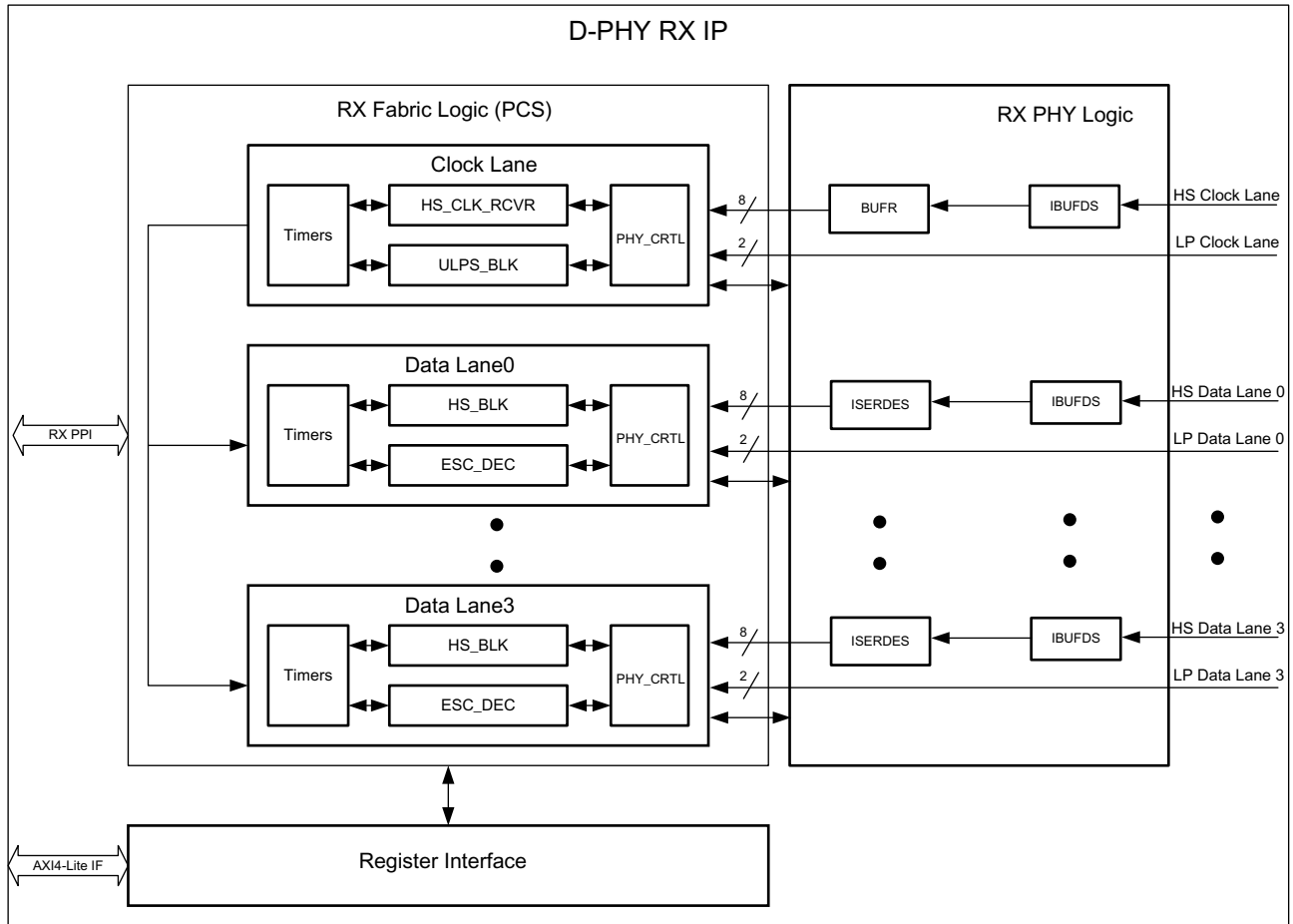


Figure 2-4: MIPI D-PHY RX (Slave) Core Architecture for 7-Series FPGA Family

## Standards

This core is designed to be compatible with the *MIPI Alliance specification for D-PHY*, version 1.1 [Ref 1]. For a list of supported devices, see the Vivado® IP catalog.

## Performance

This section details the performance information for various core configurations.

### Maximum Frequencies

The maximum frequency of the core operation is dependent on the supported line rates and the speed grade of the devices.

## Latency

The MIPI D-PHY TX core latency is measured from the `requesths` signal of the data lane assertion to the `readyhs` signal assertion.

The MIPI D-PHY RX core latency is the time from the start-of-transmission (SoT) pattern on the serial lines to the `activehs` signal assertion on the PPI.

Table 2-1 provides the latency numbers for various core configurations.

Table 2-1: Latency for D-PHY Core Configurations

Line Rate (Mb/s)	LPX (ns)	Device Family	Lanes	Latency (in byteclkhs <sup>(1)</sup> cycles)	Data Flow Mode
250	50	UltraScale+	1	10	D-PHY TX (Master)
500	50	UltraScale+	1	18	D-PHY TX (Master)
1,000	50	UltraScale+	1	33	D-PHY TX (Master)
1,250	50	UltraScale+	1	43	D-PHY TX (Master)
1,500	50	UltraScale+	1	51	D-PHY TX (Master)
250	50	UltraScale+	1	6	D-PHY RX (Slave)
500	50	UltraScale+	1	6	D-PHY RX (Slave)
1,000	50	UltraScale+	1	6	D-PHY RX (Slave)
1,250	50	UltraScale+	1	6	D-PHY RX (Slave)
1,500	50	UltraScale+	1	6	D-PHY RX (Slave)
250	50	7 Series	1	16	D-PHY TX (Master)
500	50	7 Series	1	24	D-PHY TX (Master)
1,000	50	7 Series	1	39	D-PHY TX (Master)
1,250	50	7 Series	1	48	D-PHY TX (Master)
250	50	7 Series	1	5	D-PHY RX (Slave)
500	50	7 Series	1	5	D-PHY RX (Slave)
1,000	50	7 Series	1	5	D-PHY RX (Slave)
1250	50	7 Series	1	5	D-PHY RX (Slave)

**Notes:**

1. Frequency of byteclkhs (MHz) = line rate in Mb/s divided by 8.

## Throughput

The MIPI D-PHY TX core throughput is measured from the clock lane `requesths` signal assertion to the clock lane `requesths` signal deassertion by transferring a standard 640x480 resolution image as frame data on the PPI.

Table 2-2 provides the throughput numbers for various core configurations.

Table 2-2: Throughput for MIPI D-PHY TX Core Configurations

Line Rate (Mb/s)	LPX (ns)	Device Family	Lanes	Throughput (Mb/s)	Data Flow Mode
250	50	UltraScale+	1	239	D-PHY TX (Master)
500	50	UltraScale+	1	462	D-PHY TX (Master)
1,000	50	UltraScale+	1	879	D-PHY TX (Master)
1,250	50	UltraScale+	1	1075	D-PHY TX (Master)
1,500	50	UltraScale+	1	1261	D-PHY TX (Master)
250	50	7 Series	1	231	D-PHY TX (Master)
500	50	7 Series	1	462	D-PHY TX (Master)
1,000	50	7 Series	1	879	D-PHY TX (Master)
1,250	50	7 Series	1	1066	D-PHY TX (Master)

---

## Resource Utilization

For full details about performance and resource utilization, visit the [Performance and Resource Utilization web page](#).

---

## Port Descriptions

The external interface of the core is PPI, and the AXI4-Lite interface is optionally available for register programming.

### PPI Signals

The MIPI D-PHY core provides PPI signaling for clock lane and data lane operation. The signal ports are listed in Tables 2-3 to 2-13. In these tables <n> is the configurable data lane number (0 to 3).

Table 2-3: Common PPI Control Signals

Signal	Direction	Clock Domain	Description
cl_stopstate, dl<n>_stopstate	Output	Async	Lane is in Stop state. This active-High signal indicates that the Lane module (TX or RX) is currently in the Stop state. Also, the protocol can use this signal to indirectly determine if the PHY line levels are in the LP-11 state. <b>Note:</b> This signal is asynchronous to any clock in the PPI.
cl_enable, dl<n>_enable	Input	Async	Enable Lane Module. This active-High signal forces the lane module out of "shutdown". All line drivers, receivers, terminators, and contention detectors are turned off when Enable is Low. When Enable is Low, all other PPI inputs are ignored and all PPI outputs are driven to the default inactive state. Enable is level sensitive and does not depend on any clock.
cl_ulpsactivenot, dl<n>_ulpsactivenot	Output	Async	ULP State (not) Active. This active-Low signal is asserted to indicate that the Lane is in the ULP state. For a receiver, this signal indicates that the Lane is in the Ultra Low Power (ULP) state. At the beginning of the ULP state, ulpsactivenot is asserted together with rxulpsec, or rxclkulpsnot for a clock lane. At the end of the ULP state, this signal becomes inactive to indicate that the Mark-1 state has been observed. Later, after a period of time (T <sub>wakeup</sub> ), the rxulpsec (or rxclkulpsnot) signal is deasserted.

Table 2-4: D-PHY TX Clock Lane High-Speed PPI Signal

Signal	Direction	Clock Domain	Description
cl_txrequesths	Input	txbyteclkhs	High-Speed Transmit Request and Data Valid. For clock lanes, this active-High signal causes the lane module to begin transmitting a high-speed clock.

Table 2-5: D-PHY TX Clock Lane Escape Mode PPI Signals

Signal	Direction	Clock Domain	Description
cl_txulpsclk	Input	core_clk	Transmit Ultra-Low Power State on Clock Lane. This active-High signal is asserted to cause a clock lane module to enter the ULP state. The lane module remains in this mode until txulpsclk is deasserted.
cl_txulpsexit	Input	core_clk	Transmit ULP Exit Sequence. This active-High signal is asserted when the ULP state is active and the protocol is ready to leave the ULP state. The PHY leaves the ULP state and begins driving Mark-1 after txulpsexit is asserted. The PHY later drives the Stop state (LP-11) when txrequestesc is deasserted. txulpsexit is synchronous to txclkesc. This signal is ignored when the lane is not in the ULP state.

Table 2-6: D-PHY TX Data Lane High-Speed PPI Signals

Signal	Direction	Clock Domain	Description
txbyteclkhs	Output	N/A	High-Speed Transmit Byte Clock. This is used to synchronize PPI signals in the high-speed transmit clock domain. Xilinx recommends that all transmitting data lane modules share one txbyteclkhs signal. The frequency of txbyteclkhs is exactly 1/8 the high-speed bit rate.
dl<n>_txdatahs[7:0]	Input	txbyteclkhs	High-Speed Transmit Data. Eight-bit high-speed data to be transmitted. The signal connected to txdatahs[0] is transmitted first. Data is captured on rising edges of txbyteclkhs.
dl<n>_txrequesths	Input	txbyteclkhs	High-Speed Transmit Request and Data Valid. A Low-to-High transition on txrequesths causes the Lane module to initiate a SoT sequence. A High-to-Low transition on txrequest causes the lane module to initiate an EoT sequence. For data lanes, this active-High signal also indicates that the protocol is driving valid data on txdatahs to be transmitted. The lane module accepts the data when both txrequesths and txreadyhs are active on the same rising txbyteclkhs clock edge. The protocol always provides valid transmit data when txrequesths is active. After asserted, txrequesths remains High until the data has been accepted, as indicated by txreadyhs. txrequesths is only asserted while txrequestesc is Low.
dl<n>_txreadyhs	Output	txbyteclkhs	High-Speed Transmit Ready. This active-High signal indicates that txdatahs[7:0] is accepted by the Lane module to be serially transmitted. txreadyhs is valid on rising edges of txbyteclkhs.

Table 2-7: D-PHY TX Data Lane Control Interface PPI Signal

Signal	Direction	Clock Domain	Description
dl<n>_forcetxstopmode	Input	Async	Force Lane to Generate Stop State. This signal allows the protocol to force a lane module into the Stop state during initialization or following an error situation, such as an expired timeout. When this signal is High, the lane module state machine is immediately forced into the Stop state.

Table 2-8: D-PHY TX Data Lane Escape Mode PPI Signals

Signal	Direction	Clock Domain	Description
txclkesc	Input	N/A	Escape Mode Transmit Clock. This clock is directly used to generate escape sequences. The period of this clock determines the phase times for low-power signals as defined in the D-PHY specification.
dl<n>_txrequestesc	Input	txclkesc	Escape Mode Transmit Request. This active-High signal, asserted together with exactly one of txlpdtesc, txulpesc, or one bit of txtriggeresc, is used to request entry into escape mode. When in escape mode, the lane stays in escape mode until txrequestesc is deasserted. txrequestesc is only asserted by the protocol while txrequesths is Low. txrequesths has highest priority than txrequestesc.
dl<n>_txlpdtesc	Input	txclkesc	Escape Mode Transmit Low-Power Data. This active-High signal is asserted with txrequestesc to cause the lane module to enter low-power data transmission mode. The Lane module remains in this mode until txrequestesc is deasserted. txulpesc and all bits of txtriggeresc[3:0] are Low when txlpdtesc is asserted.
dl<n>_txulpsexit	Input	txclkesc	Transmit ULP Exit Sequence. This active-High signal is asserted when the ULP state is active and the protocol is ready to leave the ULP state. The PHY leaves the ULP state and begins driving Mark-1 after txulpsexit is asserted. The PHY later drives the Stop state (LP-11) when txrequestesc is deasserted. txulpsexit is synchronous to txclkesc. This signal is ignored when the lane is not in the ULP state.



Table 2-8: D-PHY TX Data Lane Escape Mode PPI Signals (Cont'd)

Signal	Direction	Clock Domain	Description								
dl<n>_txulpsesc	Input	txclkesc	Escape Mode Transmit Ultra-Low Power State. This active-High signal is asserted with txrequestesc to cause the lane module to enter the ultra-low power state. The lane module remains in this mode until txrequestesc is deasserted. txlpdtesc and all bits of txtriggeresc[3:0] are Low when txulpsesc is asserted.								
dl<n>_txtriggeresc[3:0]	Input	txclkesc	Escape Mode Transmit Trigger 0-3. One of these active-High signals is asserted with txrequestesc to cause the associated trigger to be sent across the lane interconnect. In the receiving lane module, the same bit of rxtriggeresc is then asserted and remains asserted until the lane interconnect returns to the Stop state, which happens when txrequestesc is deasserted at the transmitter. Only one bit of txtriggeresc[3:0] is asserted at any given time, and only when txlpdtesc and txulpsesc are both Low. The following mapping is done by the D-PHY TX module: <table border="1" data-bbox="829 940 1386 1129"> <tbody> <tr> <td>Reset-Trigger</td> <td>txtriggeresc[3:0] = 4'b0001</td> </tr> <tr> <td>Unknown-3</td> <td>txtriggeresc[3:0] = 4'b0010</td> </tr> <tr> <td>Unknown-4</td> <td>txtriggeresc[3:0] = 4'b0100</td> </tr> <tr> <td>Unknown-5</td> <td>txtriggeresc[3:0] = 4'b1000</td> </tr> </tbody> </table>	Reset-Trigger	txtriggeresc[3:0] = 4'b0001	Unknown-3	txtriggeresc[3:0] = 4'b0010	Unknown-4	txtriggeresc[3:0] = 4'b0100	Unknown-5	txtriggeresc[3:0] = 4'b1000
Reset-Trigger	txtriggeresc[3:0] = 4'b0001										
Unknown-3	txtriggeresc[3:0] = 4'b0010										
Unknown-4	txtriggeresc[3:0] = 4'b0100										
Unknown-5	txtriggeresc[3:0] = 4'b1000										
dl<n>_txdataesc[7:0]	Input	txclkesc	Escape Mode Transmit Data. This is the eight-bit Escape mode data to be transmitted in low-power data transmission mode. The signal connected to txdataesc[0] is transmitted first. Data is captured on rising edges of txclkesc.								
dl<n>_txvalidesc	Input	txclkesc	Escape Mode Transmit Data Valid. This active-High signal indicates that the protocol is driving valid data on txdataesc[7:0] to be transmitted. The lane module accepts the data when txrequestesc, txvalidesc and txreadyesc are all active on the same rising txclkesc clock edge.								
dl<n>_txreadyesc	Output	txclkesc	Escape Mode Transmit Ready. This active-High signal indicates that txdataesc[7:0] is accepted by the lane module to be serially transmitted. txreadyesc is valid on rising edges of txclkesc.								

Table 2-9: D-PHY RX Clock Lane PPI Signals

Signal	Direction	Clock Domain	Description
cl_rxclkactivehs	Output	Async	Receiver Clock Active. This asynchronous, active-High signal indicates that a clock lane is receiving a Double Data Rate (DDR) clock signal.
cl_rxulpsclknot	Output	Async	Receiver Ultra-Low Power State on Clock Lane. This active-Low signal is asserted to indicate that the clock lane module has entered the ultra-low power state. The lane module remains in this mode with rxulpsclknot asserted until a Stop state is detected on the lane interconnect.

Table 2-10: D-PHY RX Data Lane High-Speed PPI Signals

Signal	Direction	Clock Domain	Description
rxbyteclkhs	Output	N/A	High-Speed Receive Byte Clock. This is used to synchronize signals in the high-speed receive clock domain. The rxbyteclkhs is generated by dividing the received High-Speed DDR clock. <b>Note:</b> This clock is not continuous and is only available for sampling when the RX data lane is in high-speed mode.
dl<n>_rxdatahs[7:0]	Output	rxbyteclkhs	High-Speed Receive Data. Eight-bit high-speed data received by the lane module. The signal connected to rxdatahs[0] was received first. Data is transferred on rising edges of rxbyteclkhs.
dl<n>_rxvalidhs	Output	rxbyteclkhs	High-Speed Receive Data Valid. This active-High signal indicates that the lane module is driving data to the protocol on the rxdatahs[7:0] output. There is no rxreadyhs signal, and the protocol is expected to capture rxdatahs[7:0] on every rising edge of rxbyteclkhs where rxvalidhs is asserted. There is no provision for the protocol to slow down (throttle) the receive data.
dl<n>_rxactivehs	Output	rxbyteclkhs	High-Speed Reception Active. This active-High signal indicates that the lane module is actively receiving a high-speed transmission from the lane interconnect.
dl<n>_rxsynchs	Output	rxbyteclkhs	Receiver Synchronization Observed. This active-High signal indicates that the Lane module has seen an appropriate synchronization event. rxsynchs is High for one cycle of rxbyteclkhs at the beginning of a high-speed transmission when rxactivehs is first asserted.

Table 2-11: D-PHY RX Data Lane PPI Control Interface Signal

Signal	Direction	Clock Domain	Description
dl<n>_forceroxmode	Input	Async	Force Lane Module to Re-Initialization. This signal allows the protocol to initialize a Lane module and should be released, that is, driven Low, only when the Dp and Dn inputs are in the Stop state for a time T_INIT, or longer. <b>Note:</b> Assert this signal when the RX Data Lane is in stopstate. Asserting this signal in the middle of High-Speed data reception will result in data integrity failures.

Table 2-12: D-PHY RX Data Lane Escape Mode PPI Signals

Signal	Direction	Clock Domain	Description								
dl<n>_rxclkesc	Output	N/A	Escape Mode Receive Clock. This signal is used to transfer received data to the protocol during escape mode. This clock is generated from the two low-power signals in the lane interconnect. Because of the asynchronous nature of escape mode data transmission, this clock cannot be periodic.								
dl<n>_rxlpdtesc	Output	rxclkesc	Escape Low-Power Data Receive Mode. This active-High signal is asserted to indicate that the lane module is in low-power data receive mode. While in this mode, received data bytes are driven onto the rxdataesc[7:0] output when rxvalidesc is active. The lane module remains in this mode with rxlpdtesc asserted until a Stop state is detected on the lane interconnect.								
dl<n>_rxulpsesc	Output	Async	Escape Ultra-Low Power (Receive) Mode. This active-High signal is asserted to indicate that the lane module has entered the ultra-low power state. The lane module remains in this mode with rxulpsesc asserted until a Stop state is detected on the lane interconnect.								
dl<n>_rxtriggeresc[3:0]	Output	Async	Escape Mode Receive Trigger 0-3. These active-High signals indicate that a trigger event has been received. The asserted rxtriggeresc[3:0] signal remains active until a Stop state is detected on the lane interconnect. The following mapping is done by the D-PHY RX module: <table border="1" data-bbox="829 1577 1390 1766"> <tbody> <tr> <td>Reset-Trigger</td> <td>rxtriggeresc[3:0] = 4'b0001</td> </tr> <tr> <td>Unknown-3</td> <td>rxtriggeresc[3:0] = 4'b0010</td> </tr> <tr> <td>Unknown-4</td> <td>rxtriggeresc[3:0] = 4'b0100</td> </tr> <tr> <td>Unknown-5</td> <td>rxtriggeresc[3:0] = 4'b1000</td> </tr> </tbody> </table>	Reset-Trigger	rxtriggeresc[3:0] = 4'b0001	Unknown-3	rxtriggeresc[3:0] = 4'b0010	Unknown-4	rxtriggeresc[3:0] = 4'b0100	Unknown-5	rxtriggeresc[3:0] = 4'b1000
Reset-Trigger	rxtriggeresc[3:0] = 4'b0001										
Unknown-3	rxtriggeresc[3:0] = 4'b0010										
Unknown-4	rxtriggeresc[3:0] = 4'b0100										
Unknown-5	rxtriggeresc[3:0] = 4'b1000										

Table 2-12: D-PHY RX Data Lane Escape Mode PPI Signals (Cont'd)

Signal	Direction	Clock Domain	Description
dl<n>_rxdataesc[7:0]	Output	rxclkesc	Escape Mode Receive Data. This is the eight-bit escape mode low-power data received by the lane module. The signal connected to rxdataesc[0] is received first. Data is transferred on rising edges of rxclkesc.
dl<n>_rxvalidesc	Output	rxclkesc	Escape Mode Receive Data Valid. This active-High signal indicates that the lane module is driving valid data to the protocol on the rxdataesc[7:0] output. There is no rxreadyesc signal, and the protocol is expected to capture rxdataesc[7:0] on every rising edge of rxclkesc where rxvalidesc is asserted. There is no provision for the protocol to slow down (throttle) the receive data.

Table 2-13: D-PHY RX Data Lane PPI Error Signals

Signal	Direction	Clock Domain	Description
dl<n>_errsotshs	Output	rxbyteclkhs	Start-of-Transmission (SoT) Error. If the high-speed SoT leader sequence is corrupted, but in such a way that proper synchronization can still be achieved, this active-High signal is asserted for one cycle of rxbyteclkhs. This is considered to be a <i>soft error</i> in the leader sequence and confidence in the payload data is reduced.
dl<n>_errsotsynchs	Output	rxbyteclkhs	Start-of-Transmission Synchronization Error. If the high-speed SoT leader sequence is corrupted in a way that proper synchronization cannot be expected, this active-High signal is asserted for one cycle of rxbyteclkhs.
dl<n>_erresc	Output	Async	Escape Entry Error. If an unrecognized escape entry command is received, this active-High signal is asserted and remains asserted until the next change in line state.
dl<n>_errsyncesc	Output	Async	Low-Power Data Transmission Synchronization Error. If the number of bits received during a low-power data transmission is not a multiple of eight when the transmission ends, this active-High signal is asserted and remains asserted until the next change in line state.
dl<n>_errcontrol	Output	Async	Control Error. This active-High signal is asserted when an incorrect line state sequence is detected. For example, if a turn-around request or escape mode request is immediately followed by a Stop state instead of the required Bridge state, this signal is asserted and remains asserted until the next change in line state.

## Clocking and Reset Signals

Included in the example design sources are circuits for clock and reset management. [Table 2-14](#) shows the ports on the core that are associated with system clock and reset.

**Table 2-14: Clocking and Reset Signals**

Signal	Direction	Clock Domain	Description
core_clk	Input	N/A	A stable core clock used for control logic.
core_rst	Input	core_clk	An active-High reset signal.
system_rst_out	Output	core_clk	An active-High system reset output to be used by the example design level logic. This port is available when <b>Shared Logic is in the Core</b> is selected.
mmcm_lock_out	Output	Async	MMCM lock indication. This port is not available for 7-Series D-PHY RX configuration.
pll_lock_out	Output	Async	PLL lock indication. This port is available when <b>Shared Logic is in the Core</b> is selected. This port is available for UltraScale+ families.
system_rst_in	Input	core_clk	System level reset. This port is available when <b>Shared Logic is in Example Design</b> is selected.
pll_lock_in	Input	Async	PLL lock indication, This port is available when <b>Shared Logic is in Example Design</b> is selected. This port is available for UltraScale+ families.

## I/O Interface Signals

The example design includes circuits for PHY management and D-PHY compatible I/O connectivity. [Table 2-15](#) shows the core ports that are associated with the I/O interface.

**Table 2-15: I/O Interface Signals**

Signal	Direction	Clock Domain	Description
<b>D-PHY TX I/O Interface</b>			
clk_txp	Output	N/A	Positive differential serial data output pin for clock lane. Available only for UltraScale+ families.
clk_txn	Output	N/A	Negative differential serial data output pin for clock lane. Available only for UltraScale+ families.
data_txp[<n-1>:0] <sup>(1)</sup>	Output	N/A	Positive differential serial data output pin for data lane(s). Available only for UltraScale+ families.
data_txn[<n-1>:0] <sup>(1)</sup>	Output	N/A	Negative differential serial data output pin for data lane(s). Available only for UltraScale+ families.
clk_hs_txp	Output	N/A	High-Speed positive differential serial data output pin for clock lane. Available only for 7-series FPGA families.

Table 2-15: I/O Interface Signals (Cont'd)

Signal	Direction	Clock Domain	Description
clk_hs_txn	Output	N/A	High-Speed negative differential serial data output pin for clock lane. Available only for 7-series FPGA families.
clk_lp_txp	Output	N/A	Low-Power positive serial data output pin for clock lane. Available only for 7-series FPGA families.
clk_lp_txn	Output	N/A	Low-Power negative serial data output pin for clock lane. Available only for 7-series FPGA families.
data_hs_txp[<n-1>:0] <sup>(1)</sup>	Output	N/A	High-Speed positive differential serial data output pin for data lane(s). Available only for 7-series FPGA families.
data_hs_txn[<n-1>:0] <sup>(1)</sup>	Output	N/A	High-Speed negative differential serial data output pin for data lane(s). Available only for 7-series FPGA families.
data_lp_txp[<n-1>:0] <sup>(1)</sup>	Output	N/A	Low-Power positive serial data output pin for data lane(s). Available only for 7-series FPGA families.
data_lp_txn[<n-1>:0] <sup>(1)</sup>	Output	N/A	Low-Power negative serial data output pin for data lane(s). Available only for 7-series FPGA families.
<b>D-PHY RX I/O Interface</b>			
clk_rxp	Input	N/A	Positive differential serial data input pin for clock lane. Available only for UltraScale+ families.
clk_rxn	Input	N/A	Negative differential serial data input pin for clock lane. Available only for UltraScale+ families.
data_rxp[<n-1>:0] <sup>(1)</sup>	Input	N/A	Positive differential serial data input pin for data lane(s). Available only for UltraScale+ families.
data_rxn[<n-1>:0] <sup>(1)</sup>	Input	N/A	Negative differential serial data input pin for data lane(s). Available only for UltraScale+ families.
bg<x>_pin<y>_nc	Input	N/A	Inferred bitslice ports. The core infers bitslice0 of a nibble for strobe propagation within the byte group; <x> indicates byte group (0,1,2,3); <y> indicates bitslice0 position (0 for the lower nibble, 6 for the upper nibble.) There is no need to drive any data on these ports. Available only for UltraScale+ families. <b>Note:</b> This port has to be brought to top level, if MIPI D-PHY RX IP is used in the IPI design.
clk_hs_rxp	Input	N/A	High-Speed positive differential serial data input pin for clock lane. Available only for 7-series FPGA families.
clk_hs_rxn	Input	N/A	High-Speed negative differential serial data input pin for clock lane. Available only for 7-series FPGA families.
clk_lp_rxp	Input	N/A	Low-Power positive serial data input pin for clock lane. Available only for 7-series FPGA families.
clk_lp_rxn	Input	N/A	Low-Power negative serial data input pin for clock lane. Available only for 7-series FPGA families.
data_hs_rxp[<n-1>:0] <sup>(1)</sup>	Input	N/A	High-Speed positive differential serial data input pin for data lane(s). Available only for 7-series FPGA families.

Table 2-15: I/O Interface Signals (Cont'd)

Signal	Direction	Clock Domain	Description
data_hs_rxn[<n-1>:0] <sup>(1)</sup>	Input	N/A	High-Speed negative differential serial data input pin for data lane(s). Available only for 7-series FPGA families.
data_lp_rxp[<n-1>:0] <sup>(1)</sup>	Input	N/A	Low-Power positive serial data input pin for data lane(s). Available only for 7-series FPGA families.
data_lp_rxn[<n-1>:0] <sup>(1)</sup>	Input	N/A	Low-Power negative serial data input pin for data lane(s). Available only for 7-series FPGA families.

**Notes:**

1. <n> is the data lane number.

## AXI4-Lite Interface Signals

The AXI4-Lite signals (s\_axi\_\*) are described in the *Vivado Design Suite AXI Reference Guide* (UG1037) [Ref 2].

## 7-Series FPGA Family Calibration Logic Signals

D-PHY RX IP includes calibration logic for 7-Series FPGA family. Table 2-16 lists ports associated with the calibration logic.

Table 2-16: 7-Series FPGA Family Calibration Logic Signals

Signal	Direction	Clock Domain	Description
cal_start_in	Input	N/A	Input for calibration logic to start.
dlyctrl_rdy_out	Output	N/A	Ready signal output from IDEALYCTRL, stating delay values are adjusted as per vtc changes.
cal_done_out	Output	core_clk	Status port indicating Calibration logic has completed calibration and has swept through delay values range.
cal_pass_failn	Output	core_clk	Active-high signal will indicate that calibration logic has found a delay value for proper sampling of incoming data, valid only when cal_done_out is high.
Idelay_tap_val_out [4:0]	Output	core_clk	Gives the tap value corresponding to center of eye, valid only when cal_pass_failn is high.

## Active Lane Support Signals

D-PHY TX IP supports active lanes. Table 2-17 lists the port associated with active lane support.

Table 2-17: Active Lane Support Signal

Signal	Direction	Clock Domain	Description
active_lanes_in[<n-1>:0] <sup>(1)</sup>	Input	core_clk	Input to specify active lanes. This feature is available for D-PHY TX multi-lane configuration. Bits from LSB to MSB corresponds to TX Data lane 0 to 3.

**Notes:**

1. <n> is the data lane number.

## Register Space

The MIPI D-PHY core register space is shown in Table 2-19. This register interface is optional and allows you to access the general interconnect states. It also provides control to program protocol timing parameters, such as INIT, and the protocol watchdog timers.



**IMPORTANT:** This memory space must be aligned to an AXI word (32-bit) boundary.

## Endianness

All registers are in little endian format, as shown in Table 2-18.

Table 2-18: 32-bit Little Endian Example

31	Byte3	24	23	Byte2	16	15	Byte1	8	7	Byte0	0
Address Offset 0x03			Address Offset 0x02			Address Offset 0x01			Address Offset 0x00		

Table 2-19: MIPI D-PHY Core Register Space

Offset	Name	Width	Access	Description
0x0	CONTROL	32-bit	R/W	Enable and soft reset control for PHY.
0x4	CAL_REG	32-bit	N/A	Calibration tap value register and will only be available for 7-Series D-PHY RX configuration.
0x8	INIT	32-bit	R/W	Initialization timer.
0xC	Reserved	32-bit	N/A	N/A
0x10	HS_TIMEOUT	32-bit	R/W	Watchdog timeout in high-speed mode. Time from SoT to EoT is taken into account for the timer elapse. This register is available if the <b>Enable HS and ESC Timeout Counters/Registers</b> checkbox is selected in the Vivado IDE. HS_RX_TIMEOUT is used for RX (slave) HS_TX_TIMEOUT is used for TX (master)



Table 2-19: MIPI D-PHY Core Register Space (Cont'd)

Offset	Name	Width	Access	Description
0x14	ESC_TIMEOUT	32-bit	R/W	Protocol specific. In escape mode, if line stays in LP-00 longer than this time period the core generates a timeout and goes to Stop state. This register is available if the <b>Enable HS and ESC Timeout Counters/Registers</b> checkbox is selected in the Vivado IDE. This register is used as Escape Mode Timeout in RX, and Escape Mode Silence Timeout in TX. Escape Mode Timeout should be greater than Escape Mode Silence Timeout.
0x18	CL_STATUS	32-bit	RO	Status register for PHY error reporting for clock Lane
0x1C to 0x28	DL0_STATUS DL1_STATUS DL2_STATUS DL3_STATUS	32-bit	RO	Status register for PHY error reporting for data lanes 1 to 4.

## CONTROL Registers

Table 2-20 shows the CONTROL register (0x0 offset) bit mapping and description. Writing a 1 to SRST resets the MIPI D-PHY core. For the soft reset impact on the MIPI D-PHY core, see Table 3-2, page 40. The MIPI D-PHY core functions only when the DPHY\_EN bit is set to 1 (by default).

Table 2-20: CONTROL Register Bit Description

Bits	Name	Access	Default Value	Description
31:2	Reserved	RO	0	Reserved.
1	DPHY_EN	R/W	1	Enable bit for D-PHY. 1: D-PHY controller is enabled. 0: D-PHY controller is disabled.
0	SRST	R/W	0	Soft reset for D-PHY Controller. If 1 is written to this bit, the D-PHY controller fabric logic and status registers are reset.

## CAL Register

The CAL register (0x4 offset) is used for calibration. Table 2-21 shows the register bit description.

Table 2-21: CAL Register Bit Description

Bits	Name	Access	Default Value	Description
31-9	Reserved	RO	0	Reserved.
8-4	IDELAY_TAP_VAL	RO	0	IDELAY Tap value corresponding to eye center calculated by calibration logic, valid only when CAL_PASS_FAIL bit is set.
3	CAL_PASS_FAIL	RO	0	Calibration Pass/Fail status. 0: Calibration logic did not find passing tap value during calibration. 1: Calibration logic found a passing tap value during calibration.
2	CAL_DONE	RO	0	Calibration done status Indication 0: Calibration logic still sweeping through delay values. 1: Calibration logic completed sweeping through delay values.
1	CAL_START	RW	0	Start of Calibration Logic 0: Calibration logic is in IDLE. 1: Calibration Logic would start.
0	IDELAYCTRL_RDY	RO	0	RDY port of IDELAYCTRL 0: IDELAYCTRL is not ready. 1: IDELAYCTRL is ready.

## INIT Register

The INIT register (0x8 offset) is used for lane initialization. Table 2-22 shows the register bit description.



**RECOMMENDED:** Xilinx recommends that you use 1 ms or longer as INIT\_VAL for the MIPI D-PHY TX core, and 500  $\mu$ s for the MIPI D-PHY RX core.

Table 2-22: INIT Register Bit Description

Bits	Name	Access	Default Value	Description
31:0	INIT_VAL	R/W	RX D-PHY IP: 500 $\mu$ s (32'h7A120) TX D-PHY IP: 1 ms (32'hF4240)	Initialization timer value in ns.

## HS\_TIMEOUT Register

The HS\_TIMEOUT register (0x10 offset) is used as a watchdog timer in high-speed mode. This register is used as HS\_TX\_TIMEOUT (MIPI D-PHY TX core) or as HS\_RX\_TIMEOUT (MIPI D-PHY RX core). [Table 2-23](#) shows the HS\_TIMEOUT register bit description.

Table 2-23: HS\_TIMEOUT Register Bit Description

Bits	Name	Access	Default Value	Description
31:0	HS_RX_TIMEOUT/ HS_TX_TIMEOUT	R/W	65,541	Maximum frame length in bytes. Valid range is 1,000 to 65,541. Timeout occurs for HS_RX_TIMEOUT/ D-PHY_LANES at the RX data lanes in high speed mode. Timeout occurs for HS_TX_TIMEOUT/ D-PHY_LANES at the TX data lanes in high speed mode.

## ESC\_TIMEOUT Register

The ESC\_TIMEOUT register (0x14 offset) is used for the watchdog timer in escape mode. [Table 2-24](#) shows the ESC\_TIMEOUT register bit description.

Table 2-24: ESC\_TIMEOUT Register Bit Description

Bits	Name	Access	Default Value	Description
31:0	ESC_TIMEOUT	R/W	25,600 ns	Escape timeout period in ns. Timeout occurs for the data lanes in escape mode.

## CL\_STATUS Register

CL\_STATUS register (0x18 offset) provides clock lane status and state machine control. [Table 2-25](#) provides CL\_STATUS register bit description.

Table 2-25: CL\_STATUS Register Bit Description

Bits	Name	Access	Default Value	Description
31:6	Reserved	RO	0	Reserved
5	ERR_CONTROL	RO	0	Clock lane control error. This bit is applicable only for the MIPI D-PHY RX core. This bit is asserted when D-PHY RX clock lane receives erroneous High-Speed entry sequence or ULPS entry sequence or ULPS exit sequence. This bit is cleared when D-PHY RX clock lane receives stopstate on the serial lines.
4	STOP_STATE	RO	0	Clock lane is in the Stop state.

Table 2-25: CL\_STATUS Register Bit Description (Cont'd)

Bits	Name	Access	Default Value	Description
3	INIT_DONE	RO	0	Set after the lane has completed initialization.
2	ULPS	RO	0	Set to 1 when the core in ULPS (ULP State) mode.
1:0	MODE	RO	0	2'b00: Low power Mode (Control Mode) 2'b01: High Speed Mode 2'b10: Escape Mode

## DL\_STATUS Register

The DL\_STATUS register (0x1C to 0x28 offset) provides data lane status and state machine control. Table 2-26 provides the DL\_STATUS register bit description.

Table 2-26: DL\_STATUS Register Bit Description

Bits	Name	Access	Default Value	Description
31:16	PKT_CNT	RO	0	Number of packets received or transmitted on the data lane. There is no roll-over if the packet count reaches 16'hFFFF. The PKT_CNT value remains at 16'hFFFF until it is reset. This field is updated using the rxbyteclkhs clock and the RX clock lane must be in high-speed mode when reset is applied to the D-PHY RX IP. Otherwise, this value does not get reset for MIPI D-PHY RX IP configuration.
15:7	Reserved	RO	0	Reserved.
6	STOP_STATE	RO	0	Data lane is in the Stop state.
5	ESC_ABORT	R/W1C	0	This bit is set after the Data Lane Escape Timeout (Escape Mode Timeout in case of RX, or Escape Mode Silence Timeout in case of TX) is elapsed. Write-to-1 clears this bit.
4	HS_ABORT	R/W1C	0	Set after the Data Lane High-Speed Timeout (HS_TX_TIMEOUT or HS_RX_TIMEOUT) has elapsed. Write to 1 clears this bit.
3	INIT_DONE	RO	0	Set after the lane has completed initialization.
2	ULPS	RO	0	Set to 1 when the core is in ULPS mode.
1:0	MODE	RO	0	2'b00: Low power mode (control mode). 2'b01: High speed mode 2'b10: Escape mode.

# Designing with the Core

This chapter includes guidelines and additional information to facilitate designing with the core.

---

## General Design Guidelines

This section describes the steps required to turn a MIPI D-PHY core into a fully functioning design with user-application logic.



**IMPORTANT:** *Not all implementations require all of the design steps listed here. Follow the logic design guidelines in this manual carefully.*

---

## Use the Example Design as a Starting Point

Each instance of a MIPI D-PHY core that is created is delivered with an example design that can be simulated and implemented in Xilinx® devices. This design can be used as a starting point for your design or can be used to troubleshoot a design, if necessary.

## Know the Degree of Difficulty

The MIPI D-PHY core design is challenging to implement in any technology, and the degree of difficulty is further influenced by:

- Maximum system clock frequency
- Targeted device architecture
- Nature of the user application

All MIPI D-PHY core implementations require careful attention to system performance requirements. Pipelining, logic mappings, placement constraints, and logic duplications are all methods that help boost system performance.

## Keep It Registered

To simplify timing and increase system performance in a design, keep all inputs and outputs registered with flip-flops between the user application and the core. Registering signals might not be possible for all paths, but doing so simplifies timing analysis and makes it easier for the Vivado® design tools to place-and-route the design.

## Recognize Timing Critical Signals

The Xilinx Design Constraints (XDC) file provided with the core example design identifies the critical signals and the timing constraints that should be applied.

## Make Only Allowed Modifications

The MIPI D-PHY core is not intended to be user modifiable, except during the core customization in the Vivado IDE. Supported user configurations of the MIPI D-PHY core are only available through the parameters set in the Vivado IDE. Any other modifications you make might have adverse effects on the system timing and protocol compliance.

## I/O Placement

The MIPI D-PHY protocol supports the SLVS-200 I/O standard, and this I/O standard is supported only in an HP I/O bank in the Xilinx UltraScale+™ and Zynq® UltraScale+ MPSoC families. It is recommended that you use consecutive bit slices for data lanes starting from the clock lane BITSlice. All I/O placements should be restricted to the same I/O bank.

---

## Shared Logic

Shared Logic provides a flexible architecture that works both as a stand-alone core and as part of a larger design with one of more core instances. This minimizes the amount of HDL modifications required, but at the same time retains the flexibility of the core.

There is a level of hierarchy called `<component_name>_support`. [Figure 3-1](#) and [Figure 3-2](#) show two hierarchies where the shared logic is either contained in the core or in the example design. In these figures, `<component_name>` is the name of the generated core. The difference between the two hierarchies is the boundary of the core. It is controlled using the Shared Logic option in the Vivado IDE Shared Logic tab for the MIPI D\_PHY core.

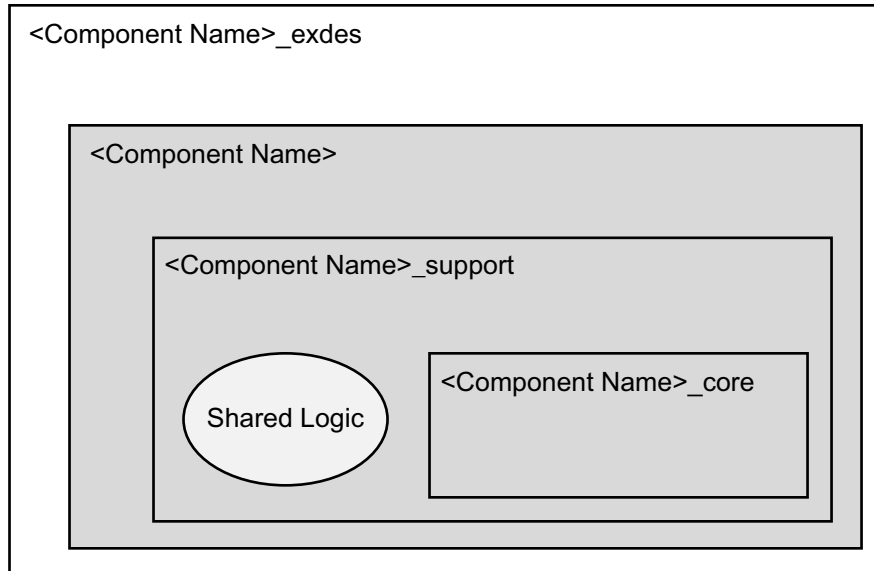


Figure 3-1: Shared Logic Included in Core

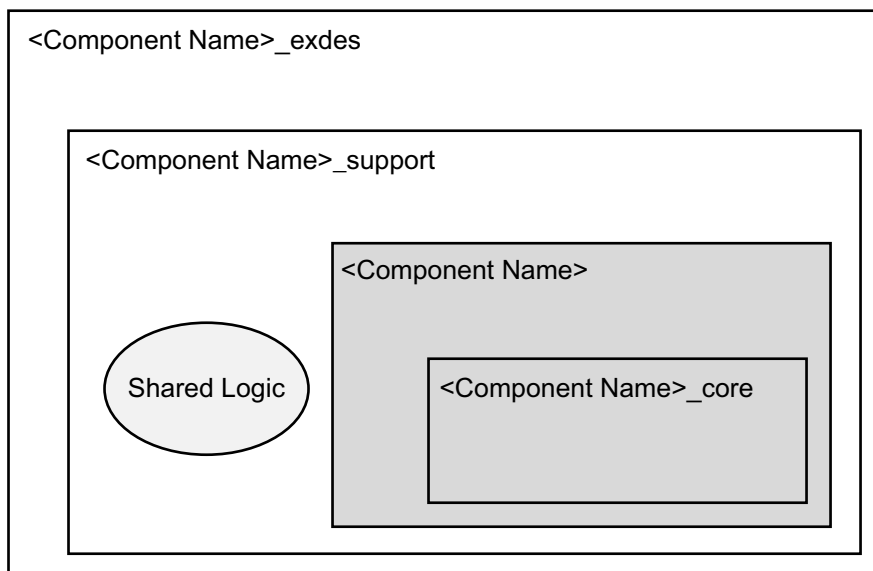


Figure 3-2: Shared Logic Included in Example Design

The shared logic comprises an MMCM, a PLL and some BUFGs (maximum of 4).

## Shared Logic in Core

Select **Include Shared Logic in core** if:

- You do not require direct control over the MMCM and PLL generated clocks
- You want to manage multiple customizations of the core for multi-core designs
- This is the first MIPI D-PHY core in a multi-core system

These components are included in the core, and their output ports are also provided as core outputs.

## Shared Logic in Example Design

Select **Include Shared Logic in example design** if:

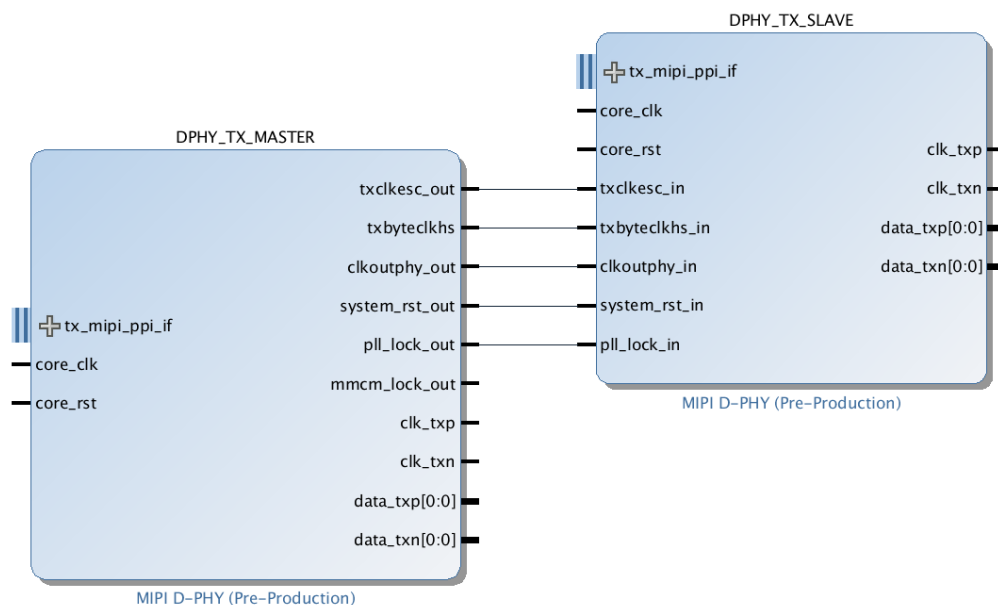
- This is the second MIPI D-PHY core in a multi-core design
- You only want to manage one customization of the MIPI D-PHY core in your design
- You want direct access to the input clocks

To fully utilize the MMCM and PLL, customize one MIPI D-PHY core with shared logic in the core and one with shared logic in the example design. You can connect the MMCM/PLL outputs from the first MIPI D-PHY core to the second core.

If you want fine control you can select **Include shared logic in example design** and base your own logic on the shared logic produced in the example design.

### Case 1: UltraScale+ Device MIPI D-PHY TX Core

Figure 3-3 shows the sharable resource connections from the MIPI D-PHY TX core with shared logic included (DPHY\_TX\_MASTER) to the instance of another MIPI D-PHY TX core without shared logic (DPHY\_TX\_SLAVE).



X15950-021716

Figure 3-3: Shared Logic Example for MIPI D-PHY TX Core



### Case 2: UltraScale+ Device MIPI D-PHY RX Core

Figure 3-4 shows the sharable resource connections from the MIPI D-PHY RX core with shared logic included (DPHY\_RX\_MASTER) to the instance of another MIPI D-PHY RX core without shared logic (DPHY\_RX\_SLAVE).

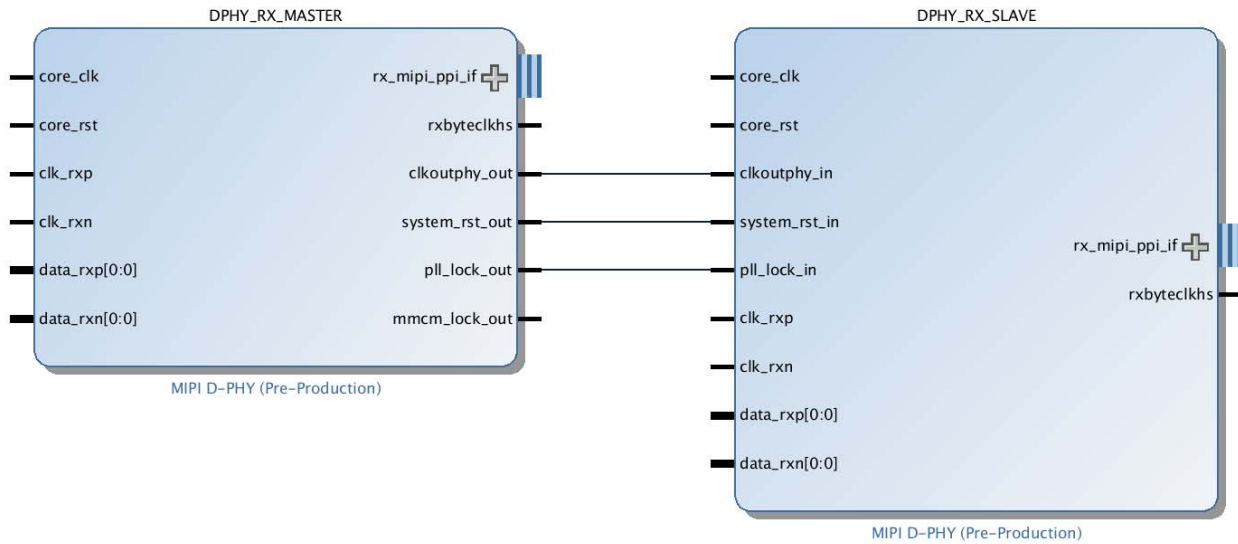


Figure 3-4: Shared Logic Example for MIPI D-PHY RX Core

### Case 3: 7-Series FPGA Device MIPI D-PHY TX Core

Figure 3-5 shows the sharable resource connections from the MIPI D-PHY TX core with shared logic included (DPHY\_TX\_MASTER) to the instance of another MIPI D-PHY TX core without shared logic (DPHY\_TX\_SLAVE).

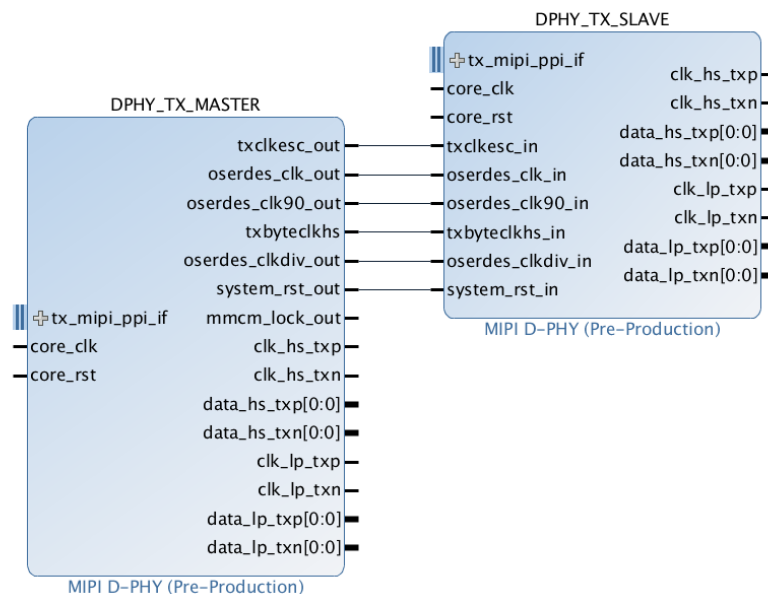


Figure 3-5: Shared Logic Example for 7-Series MIPI D-PHY TX Core

### Case 4: 7-Series FPGA Device MIPI D-PHY RX Core

Figure 3-6 shows the sharable resource connections from the MIPI D-PHY RX core with shared logic included (DPHY\_RX\_MASTER) to the instance of another MIPI D-PHY RX core without shared logic (DPHY\_RX\_SLAVE).

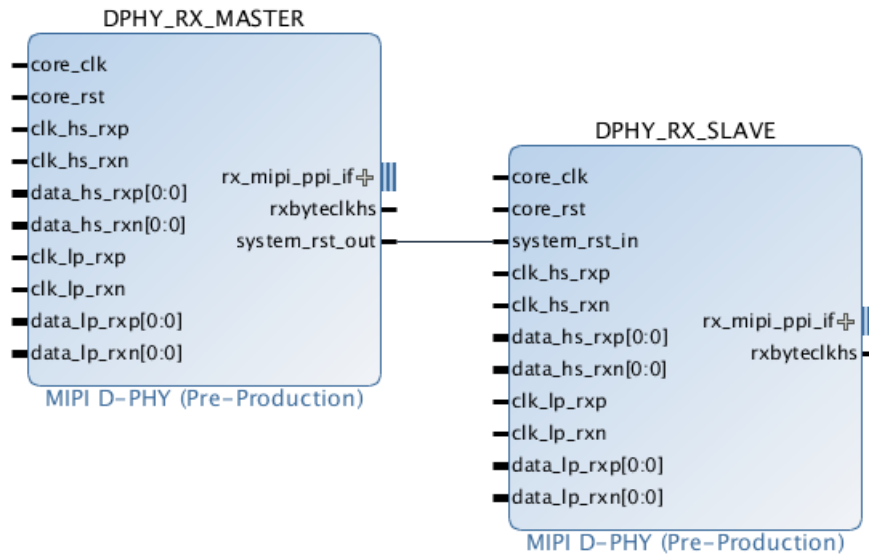


Figure 3-6: Shared Logic Example for 7-Series MIPI D-PHY RX Core

## I/O Planning

The MIPI D-PHY core provides an I/O planner feature for I/O selection. You can select any I/O for the clock and data lanes in the TX core configuration for the selected HP I/O bank.

For the RX core configuration, dedicated byte clocks (DBC) or quad byte clocks (QBC) are listed for the clock lane for the selected HP I/O bank. For the QBC clock lane all of the I/O pins are listed for data lane I/O selection but for the DBC clock lane only byte group I/O pins are listed for data lane I/O selection in the RX core configuration.

Eight D-PHY IP cores can be implemented per IO bank due to BITSlice and BITSlice\_CONTROL instances in UltraScale+ devices.



**IMPORTANT:** *If the RX data lane I/O pins are selected non-contiguously then an additional one, two, or three I/O pins (RX\_BITSlice) are automatically used for clock/Strobe propagation. Therefore, it is recommended that you select adjacent I/O pins for the RX configuration to make efficient use of the I/O. The propagation of strobes to the RX data pins follows the inter-byte and inter-nibble clocking rules given in the UltraScale Architecture SelectIO Resources User Guide (UG571) [Ref 3].*

Figure 3-7 shows the eight MIPI D-PHY RX cores configured with one clock lane and one data lane and implemented in a single HP I/O bank.

The DPHY\_RX\_MASTER is configured with **Include Shared Logic in core** option and the remaining cores are configured with **Include Shared Logic in example design**. The `clkoutphy` signal is generated within the PLL of the DPHY\_RX\_MASTER core for the 1000 Mb/s line rate and shared with all other slave IP cores (DPHY\_RX\_SLAVE1 to DPHY\_RX\_SLAVE7). The `system_rst` and `pll_lock` signal connections are required for slave IP initialization.

**Note:** The master and slave cores should be configured with the same line rate when sharing `clkoutphy`.

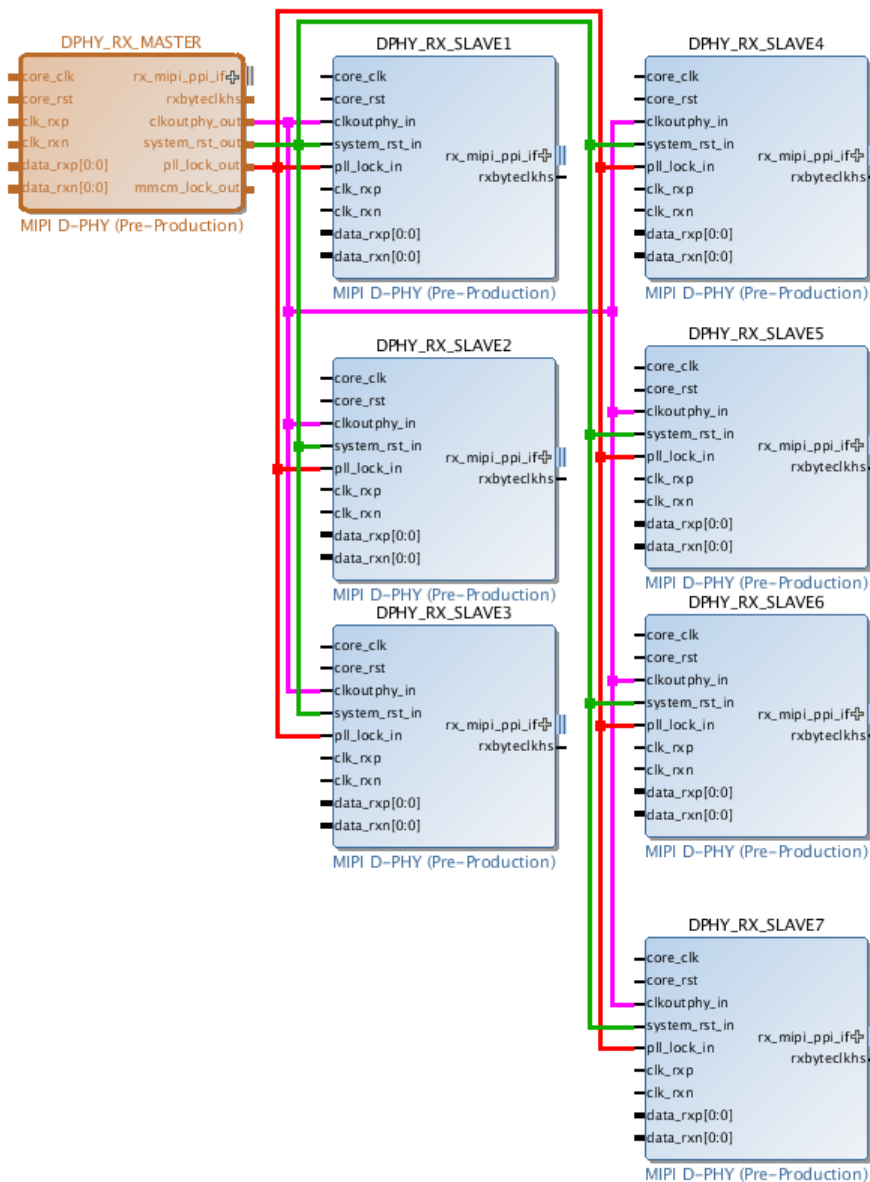


Figure 3-7: MIPI D-PHY RX Core Shared Logic Use Case for Single I/O Bank

## Clocking

The MIPI D-PHY core requires a 200 MHz free running clock (`core_clk`). This clock is used as input to the Mixed-Mode Clock Manager (MMCM), and the required clocks are generated based on IP configurations.

Figure 3-8 and Figure 3-9 show the MIPI D-PHY core clock diagrams for UltraScale+ families. The MIPI D-PHY core takes `core_clk` as an input and generates the necessary clocks from the MMCM. The `clkoutphy` signal from the PLL is used in the `BITSLICE_CONTROL` of the PHY block in native mode.

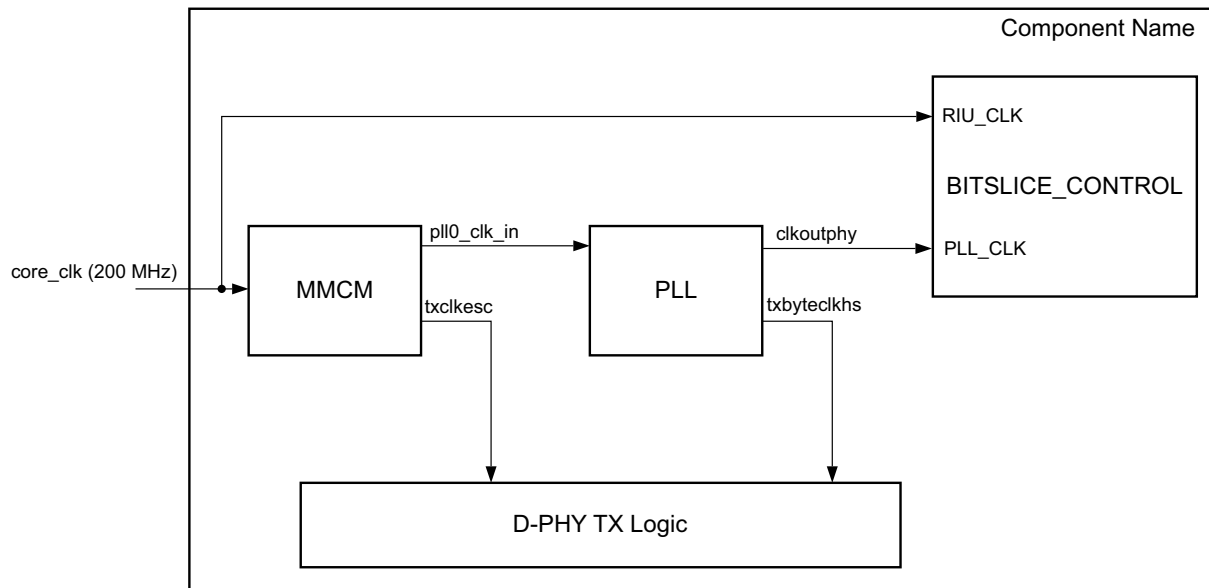
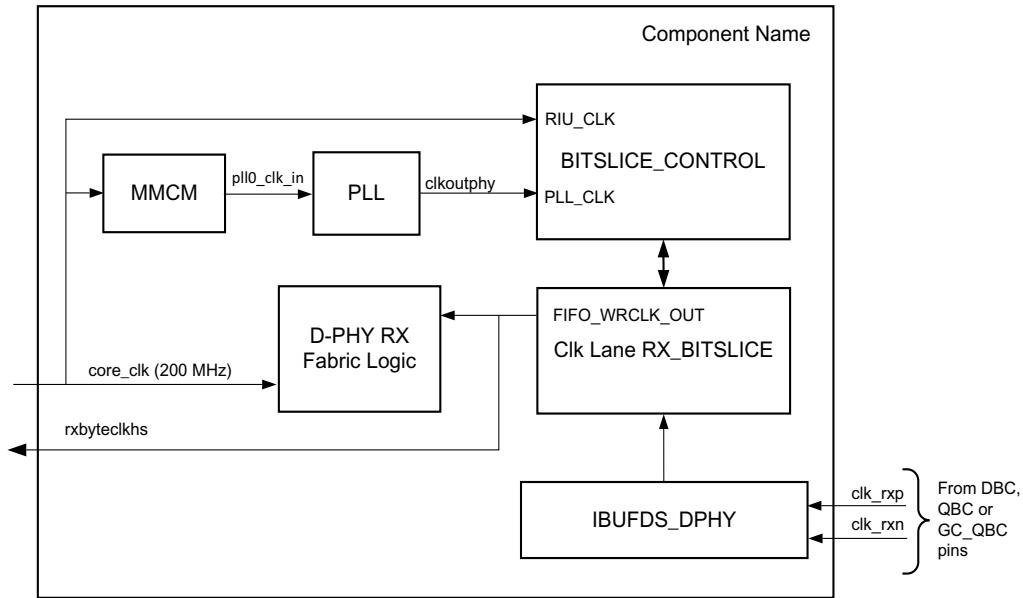


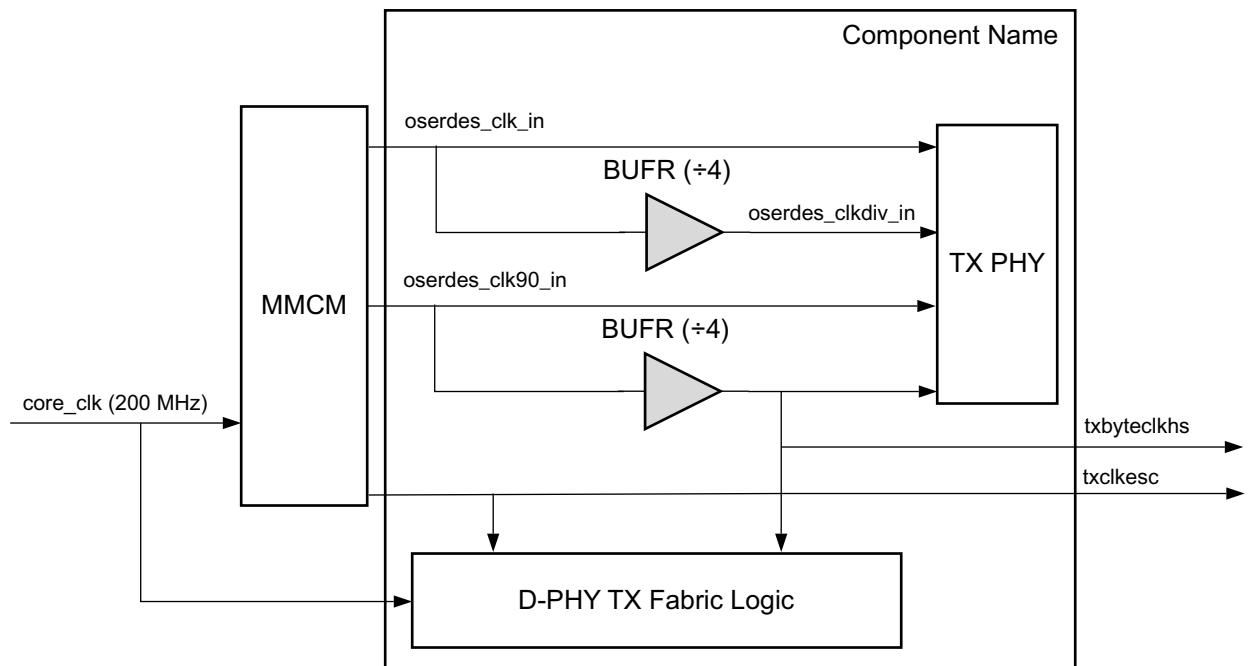
Figure 3-8: MIPI D-PHY Core TX Clocking for UltraScale+ Family



X14836-032116

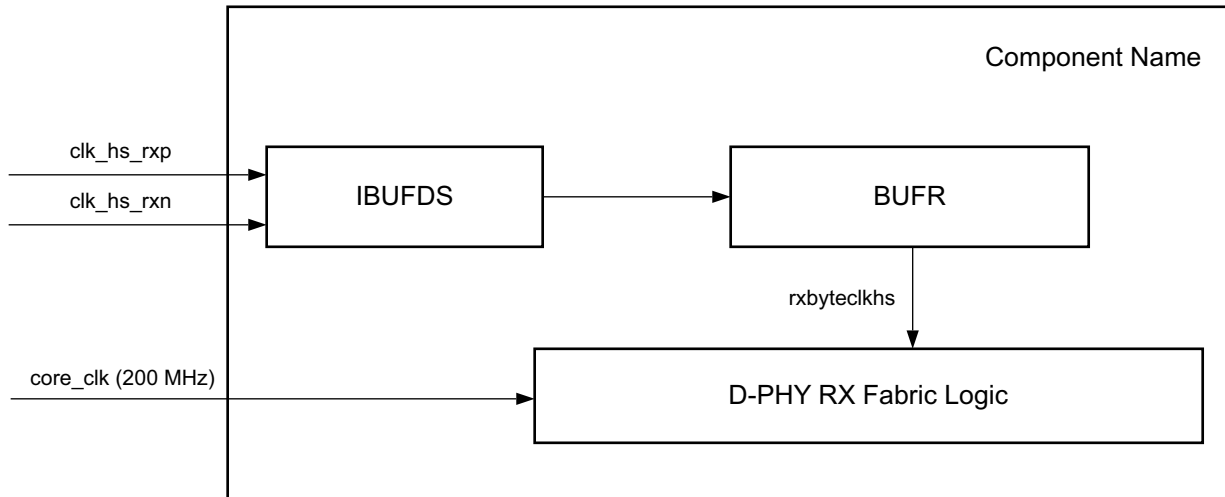
Figure 3-9: MIPI D-PHY Core RX Clocking for UltraScale+ Family

Figure 3-10 and Figure 3-11 show the MIPI D-PHY core clock diagrams for 7-Series FPGA family. The MIPI D-PHY core takes `core_clk` as an input and generates the necessary clocks from the MMCM for D-PHY TX IP. MMCM is not used in D-PHY RX IP.



X17794-09c

Figure 3-10: MIPI D-PHY Core TX Clocking for 7-Series FPGA Family



X17795-0901

Figure 3-11: MIPI D-PHY Core RX Clocking for 7-Series FPGA Family

Table 3-1 provides details about the core clocks.

Table 3-1: MIPI D-PHY Clocking Details

Clock	Frequency	IP Configuration	Notes
core_clk	200.000 MHz	All	Used for control logic and input to MMCM.
txbyteclkhs <sup>(1)</sup>	10.000–187.500 MHz Derived from the line rate divided by 8.	MIPI D-PHY TX core Shared Logic in Core	Input to PHY and used to transmit high-speed data. This clock is generated from oserdes_clk90_out as source for 7-Series devices.
xiphy_byteclk_out <sup>(1)</sup>	75.000–187.500 MHz Line rate divided by ratio <sup>(2)</sup>	MIPI D-PHY TX core Shared Logic in Core Line rate < 600 Mb/s.	Input to PHY and used to transmit high-speed data. This clock is not available for 7-Series FPGA family.
clkoutphy_out <sup>(1)</sup>	Line rate	Shared Logic in Core	PHY serial clock. This clock is not available for 7-Series FPGA family.
txclkesc_out	10.000–20.000 MHz	MIPI D-PHY TX core Shared Logic in Core	Clock used for Escape mode operations
txbyteclkhs_in <sup>(1)</sup>	10.000–187.500 MHz Derived from the line rate divided by 8.	MIPI D-PHY TX core Shared Logic in Example Design	Input to PHY and used to transmit high-speed data. This clock should be generated from oserdes_clk90_in as source for 7-Series FPGA family.

Table 3-1: MIPI D-PHY Clocking Details (Cont'd)

Clock	Frequency	IP Configuration	Notes
xiphy_byteclk_in <sup>(1)</sup>	75.000–187.500 MHz Line rate divided by ratio <sup>(2)</sup>	MIPI D-PHY TX core Shared Logic in Example Design Line rates < 600 Mb/s.	Input to PHY and used to transmit high-speed data. This clock is not available for 7-Series FPGA family.
clkoutphy_in <sup>(1)</sup>	Line rate	Shared Logic in Example Design	PHY serial clock. This clock is not available for 7-Series FPGA family.
txclkesc_in	10.000–20.000 MHz	MIPI D-PHY TX core Shared Logic in Example Design	Clock used for Escape mode operations
rxbyteclkhs	10.000–187.500 MHz Derived from the line rate divided by 8.	MIPI D-PHY RX core	Clock received on RX clock lane and used for high-speed data reception
oserdес_clk_out	line rate/2	7-Series FPGA family and Shared Logic is in the core and D-PHY TX configuration	Used to connect the CLK pin of TX clock lane OSERDES
oserdес_clk90_out	line rate/2	7-Series FPGA family and Shared Logic is in the core and D-PHY TX configuration	Used to connect the CLK pin of TX data lane OSERDES. It has 90 phase shift relationship with oserdес_clk_out.
oserdес_clkdiv_out	line rate/8	7-Series FPGA family and Shared Logic is in the core and D-PHY TX configuration	Used to connect the CLKDIV pin of TX clock lane OSERDES and generated from oserdес_clk_out as source.
oserdес_clk_in	line rate/2	7-Series FPGA family and Shared Logic is in the Example Design and D-PHY TX configuration	Used to connect the CLK pin of TX clock lane OSERDES
oserdес_clk90_in	line rate/2	7-Series FPGA family and Shared Logic is in the Example Design and D-PHY TX configuration	Used to connect the CLK pin of TX data lane OSERDES and should have 90 phase shift with oserdес_clk_in.
oserdес_clkdiv_in	line rate/8	7-Series FPGA family and Shared Logic is in the Example Design and D-PHY TX configuration	Used to connect the CLKDIV pin of TX clock lane OSERDES and should be generated from oserdес_clk_in as source.

**Notes:**

- The txbyteclkhs and xiphy\_byteclk clocks should be generated from same clock source or PLL.
- The ratio is 4 for line rate range from 300 to 599 Mb/s.  
The ratio is 2 for line rate range from 150 to 299 Mb/s.  
The ratio is 1 for line rate range from 80 to 149 Mb/s.  
For example, the xiphy\_byteclk frequency is 125.000 MHz for 500 Mb/s line rate.



**IMPORTANT:** All the input clocks supplied to the MIPI D-PHY core should have  $\pm 100$  PPM difference and violating this results in either data corruption or data duplication.

## Resets

The active-High reset signal `core_rst` is used in the MIPI D-PHY core.

Figure 3-12 shows the power-on reset behavior for the MIPI D-PHY core.

1. The `core_rst` signal is asserted for forty `core_clk` cycles. Forty clock cycles are required to propagate the reset throughout the system.
2. The `mmcm_lock` and `pll_lock` signals go Low due to `core_rst` assertion.
3. The `mmcm_lock` signal is asserted within 100  $\mu$ s after `core_rst` deassertion and generates the input clock for the PLL.
4. The `pll_lock` signal is asserted within 100  $\mu$ s after `mmcm_lock` assertion.
5. LP-11 is driven on the lines for T\_INIT or longer. This helps the MIPI D-PHY core complete the lane initialization. Lane initialization is indicated by the `init_done` internal status signal in the waveform.
6. After LPX\_PERIOD of LP-11 assertion, `stopstate` is asserted.

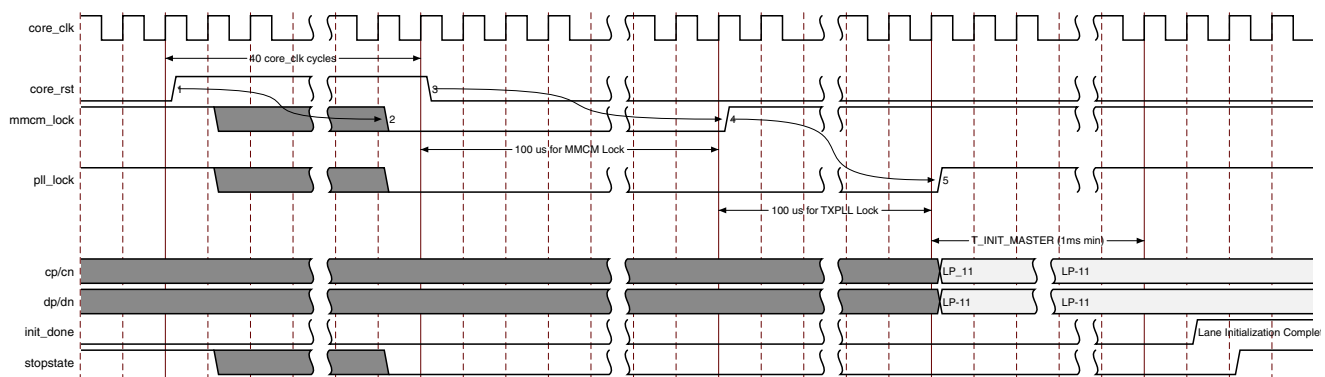


Figure 3-12: Power on Reset Sequence for the MIPI D-PHY Core

Table 3-2 summarizes all resets available to the MIPI D-PHY core and the components affected by them.

Table 3-2: Reset Coverage

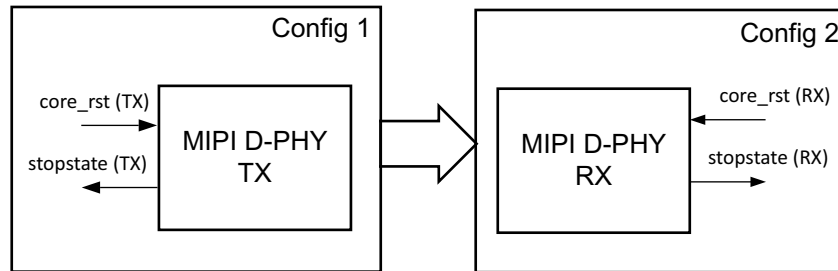
Functional Block	core_rst	DPHY_EN (Core Enable from Register)	SRST (Soft Reset from Register)	s_axi_aresetn
TX/RX PCS	Yes	Yes	Yes	No
TX/RX PHY	Yes	Yes	No	No



Table 3-2: Reset Coverage (Cont'd)

Functional Block	core_rst	DPHY_EN (Core Enable from Register)	SRST (Soft Reset from Register)	s_axi_aresetn
Registers	Yes	Yes	Yes	Yes
Lane Initialization	Yes	Yes	No	No

Figure 3-13 shows the MIPI D-PHY TX IP and MIPI RX IP connected in a system. Config 1 and Config 2 can be in the same or multiple device(s).



X16507-032116

Figure 3-13: MIPI D-PHY TX and RX System

The following is the recommended procedure for resetting the MIPI D-PHY TX and RX core in a system (see Figure 3-14).

1. Assert the MIPI D-PHY TX `core_rst` signal.
2. Assert the MIPI D-PHY RX `core_rst` signal for a minimum 40 `core_clk` cycles.
3. Release the MIPI D-PHY RX `core_rst` signal.
4. Release the MIPI D-PHY TX `core_rst` signal.
5. The MIPI D-PHY RX IP core initialization happens after a `T_INIT_SLAVE` time of 500  $\mu$ s and is indicated by the assertion of `stopstate`.
6. The MIPI D-PHY TX IP core initialization happens after a `T_INIT_MASTER` time of 1 ms and is indicated by `stopstate` assertion.
7. At this point, the MIPI D-PHY TX IP core is ready to accept data from the TX PPI interface.

**Note:** The impact of the assertion of `core_rst` on the MIPI D-PHY core is the same as the assertion of the `DPHY_EN` bit of the `CONTROL` register.

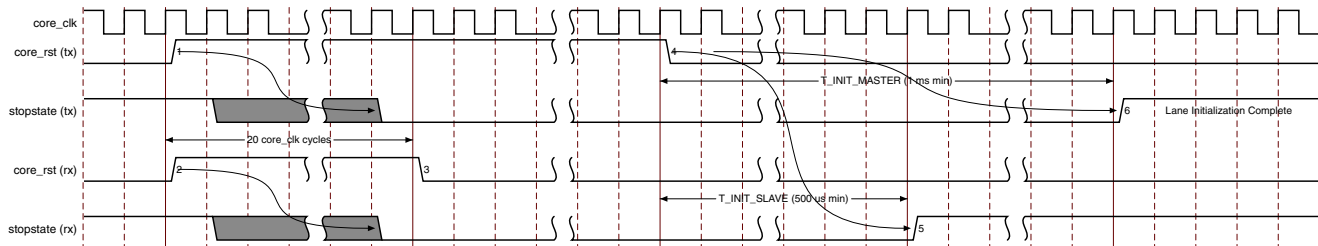


Figure 3-14: Reset Assertion Sequence for MIP D-PHY Core

## Protocol Description

A high-speed clock is generated from the clock lane and is used for high-speed operations. The line status is detected based on low-power signals. During normal operation, the Lane module is always in the control mode or high-speed mode. High-speed operations happen in bursts, and start from and end in the Stop state (LP-11).



**IMPORTANT:** A low-power line state of less than 20 ns is ignored by the MIPI D-PHY RX core.

This section describes the features in detail for the MIPI D-PHY core.

### Initialization

After power-up, the slave side PHY is initialized when the master PHY drives a Stop state for a period longer than  $T_{INIT}$ . The first Stop state that is longer than the specified  $T_{INIT}$  is called the Initialization period.

**Note:**  $T_{INIT}$  is considered a protocol-dependent parameter which must be longer than 100  $\mu$ s.

### High Speed Transfer

High-speed signaling is used for fast data traffic. High-speed data communication appears in bursts with an arbitrary number of payload data bytes.

### High Frequency Clock Transmission

The clock lane transmits a low-swing, differential high-speed DDR clock from the master to the slave for high-speed data transmission. It is controlled by the protocol through the clock lane PPI. The clock signal has quadrature-phase with a toggling bit sequence on the data lane.

## Escape Mode

The low-power (LP) functions include single-ended transmitters (LP-TX), receivers (LP-RX), and Low-Power Contention-Detectors (LP-CD). Because this core supports only unidirectional communication, contention detector logic is not required. Low-power functions are always present in pairs as these are single-ended functions operating on each of the two interconnect wires individually.

### *Remote Triggers*

The MIPI D-PHY defines four types of trigger commands. In escape mode, the MIPI D-PHY applies Spaced-One-Hot bit encoding for asynchronous communication. Therefore, operation of a data lane in this mode does not depend on the clock lane.

Trigger signaling is the mechanism to send a flag to the protocol at the receiving side, on request of the protocol on the transmitting side. So, data received after the trigger command is not interpreted by the core.

### *Low Power Data Transmission*

Low-Power Data Transmission (LPDT) data can be communicated by the protocol at low speed, while the lane remains in low-power mode. Data is encoded on the lines with the Spaced-One-Hot code. The data is self-clocked by the applied bit encoding and does not rely on the clock lane. The core supports a maximum data transfer of 10 Mb/s in low-power (LP) mode.

**Note:** The maximum clock frequency is 20 MHz in LPDT.

### *Ultra-Low Power State*

This is one type of escape mode and is supported by both the clock lane and data lane. You can exit from the ultra-low power state by the wakeup timer, which is governed by the T\_WAKEUP protocol timing parameter.

## Interfaces

The MIPI D-PHY core has a PPI interface and an AXI4-Lite interface.

### *PPI Interface*

The following section explains the PPI timing through a series of examples.

#### **Example 1: High-Speed Transmit from D-PHY TX (Master) Side**

This section describes a high-speed transmission by the D-PHY TX (Master) IP. This behavior is shown in [Figure 3-15](#).

1. While `txrequesths` is Low, the lane module ignores the value of `txdatahs[7:0]`. To begin transmission, the protocol drives the `txdatahs` signal with the first byte of data and asserts the `txrequesths` signal.
2. This data byte is accepted by the D-PHY on the first rising edge of `txbyteclkhs` with `txreadyhs` also asserted. Now, the protocol logic drives the next data byte onto `txdatahs`. After every rising clock cycle with `txreadyhs` active, the protocol supplies a new valid data byte or ends the transmission.
3. After the last data byte has been transferred to the lane module, `txrequesths` is driven Low to cause the lane module to stop the transmission and enter Stop state.
4. The `txreadyhs` signal is driven Low after `txrequesths` goes Low.

The minimum number of bytes transmitted can be as small as one.

**Note:** The `txrequesths` signal of the TX clock lane must be asserted to start the high-speed data transfer.

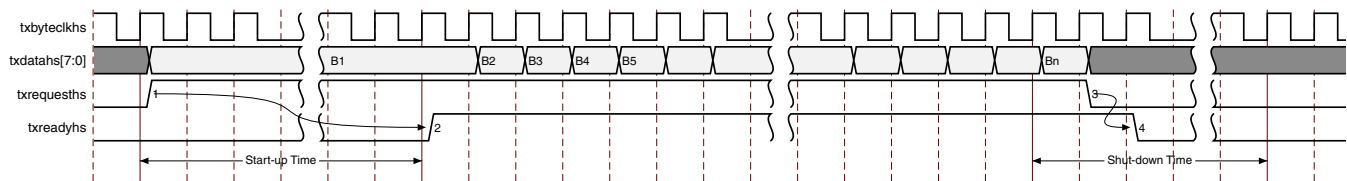


Figure 3-15: High-speed Mode Data Transfer from D-PHY TX (Master)

### Example 2: Low-Power Data Transfer from D-PHY TX (Master) Side

This section describes a low-power data transmission operation. This behavior is shown in Figure 3-16.

1. For low-power data transmission, the `txclkesc` signal is used. The PPI directs the data lane to enter low-power data transmission escape mode by asserting `txrequestesc` and setting `txlpdtesc` High.
2. The low-power transmit data is transferred on the `txdataEsc[7:0]` when `txvalidesc` and `txreadyesc` are both active at a rising edge of `txclkesc`. The byte is transmitted in the time after the `txdataesc` is accepted by the MIPI D-PHY TX core (`txvalidesc` and `txreadyesc` are High) and therefore the `txclkesc` continues running for some minimum time after the last byte is transmitted.
3. The PPI knows the byte transmission is finished when `txreadyesc` is asserted.
4. After the last byte has been transmitted, the PPI deasserts `txrequestesc` to end the low-power data transmission. This causes `txreadyesc` to return Low, after which the `txclkesc` clock is no longer needed.

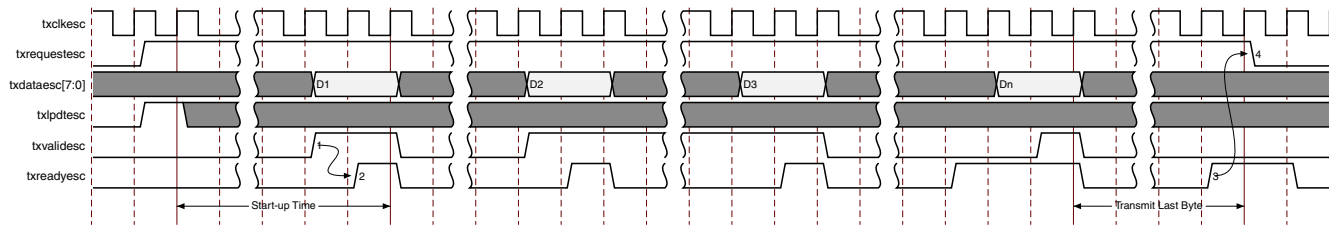


Figure 3-16: Low-power Data Transfer from D-PHY TX (Master)

### Example 3: Trigger Command Transmission from D-PHY TX (Master) Side

This section describes a trigger transmission operation. This behavior is shown in Figure 3-17.

1. txrequestesc is asserted along with the trigger value in txtriggeresc[3:0].
2. Because the PPI does not have a handshake signal to report back the trigger transmission on the serial line, txrequestesc is driven Low after 30 txclkesc clock cycles. The 30 clock cycles ensures that the MIPI D-PHY TX core transfers the trigger command on the serial line.

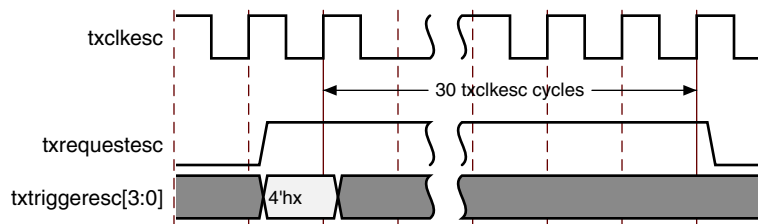


Figure 3-17: Trigger Command Transmission from D-PHY TX (Master)

### Example 4: D-PHY TX (Master) Data Lane ULPS Operation

This section describes a TX data lane ULPS operation. This behavior is shown in Figure 3-18.

1. The PPI drives txrequestesc High to initiate the ULPS entry request. The txulpsesc signal is asserted for one txclkesc cycle.
2. The MIPI D-PHY TX core drives the data lane ulpsactivenot (active-Low) to Low which indicates that the ULPS command is transmitted on the serial lines.
3. The PPI drives the txulpsexit pulse to start the ULPS exit operation.
4. The MIPI D-PHY TX core responds by deasserting the ulpsactivenot signal and starts transmitting MARK-1 on the line for T\_WAKEUP time.
5. The PPI deasserts the txrequestesc after T\_WAKEUP time has elapsed following the deassertion of the ulpsactivenot signal.

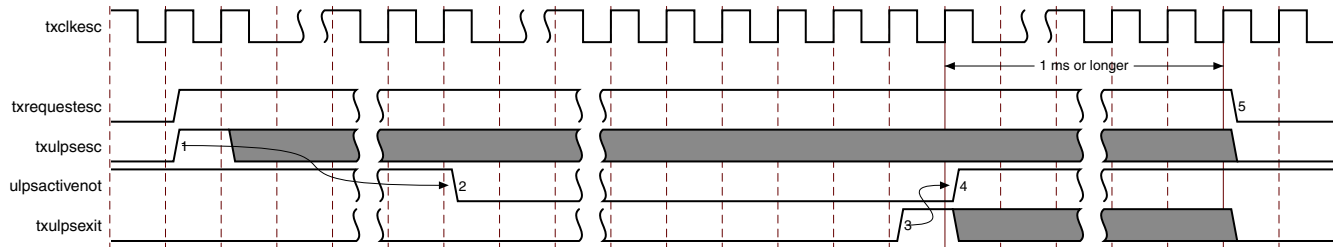


Figure 3-18: D-PHY TX (Master) ULPS Mode Operation for Data Lane

### Example 5: D-PHY TX (Master) Clock Lane ULPS Operation

This section describes a TX clock lane ULPS operation. This behavior is shown in [Figure 3-18](#).

1. The PPI drives `txulpsclk` to initiate the clock lane ULPS mode.
2. The MIPI D-PHY TX core drives the clock lane `ulpsactivenot` (active-Low) to Low after the ULPS entry sequence is transmitted on the serial line.
3. The PPI asserts the `txulpsexit` signal to exit from ULPS.
4. The MIPI D-PHY TX core drives the `ulpsactivenot` High and drives MARK-1 on the serial lines.
5. The PPI deasserts the `txrequestesc` after `T_WAKEUP` time has elapsed following deassertion of the `ulpsactivenot` signal.

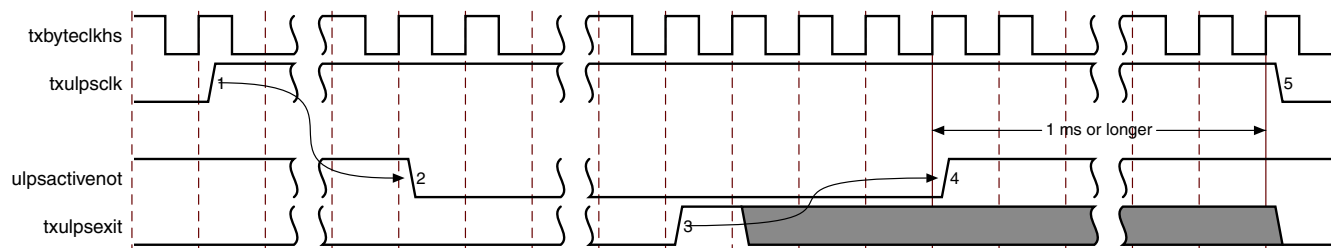


Figure 3-19: D-PHY TX (Master) ULPS Mode Operation for Clock Lane

### Example 6: High-Speed Receive at D-PHY RX (Slave) Side

This section describes a high-speed reception at the slave side PPI. This behavior is shown in [Figure 3-20](#).

The `rxactivehs` signal indicates that a receive operation is occurring. A normal reception starts with a pulse on `rxsynchs` followed by valid receive data on subsequent cycles of `rxbyteclkhs`. Note that the protocol is prepared to receive all of the data. There is no method for the receiving protocol to pause or slow data reception.

Because end-of-transmission (EoT) processing is not performed in the PHY, one or more additional bytes are presented after the last valid data byte. The first of these additional bytes, shown as byte "C" in Figure 3-20, is either all 1s or all 0s. Subsequent bytes might or might not be present and can have any value. The `rxactivevhs` and `rxvalidhs` signals transition Low simultaneously sometime after byte "C" is received. After these signals have transitioned Low, they remain Low until the next high-speed data reception begins.

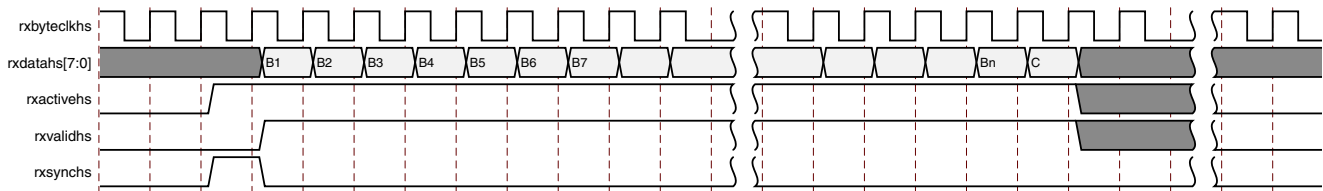


Figure 3-20: High-Speed Mode Data Receive at the D-PHY RX (Slave)

**Note:** D-PHY RX data lanes operate independently and the received high-speed data, from the serial lines, is passed to the higher layers through PPI. MIPI D-PHY RX IP does not perform any byte alignment or skew adjustment between RX data lanes. It is the responsibility of the higher layer protocol cores. Xilinx MIPI CSI-2 Subsystem compensates up to two `rxbyteclkhs` clock cycles between RX data lanes PPI High-Speed data.

### Example 7: High-Speed Receive with Synchronization Error at D-PHY RX (Slave) Side

The MIPI D-PHY RX core can detect a start-of-transmission (SoT) pattern with single-bit error. It is reported by the assertion of `rxerrsoths` for one clock cycle of `rxbytevhs` along with the `rxsynchs` pulse. This behavior is shown in Figure 3-21.

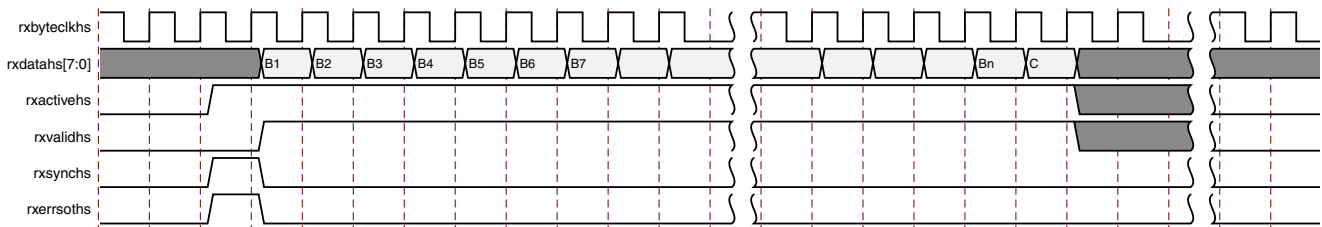


Figure 3-21: High-Speed Mode Data Receive with Synchronization Error at the D-PHY RX (Slave)

**Example 8: High-Speed Receive with Loss of Synchronization at D-PHY RX (Slave) Side**

The MIPI D-PHY RX core reports the multi-bit error on the SoT pattern by asserting `rxerrsotsynchs` for one clock cycle of `rxbyteclkhs`. This scenario indicates that the SoT pattern is corrupted and is shown in Figure 3-22. Note that `rxsynchs` is not asserted. Received payload is passed on to the PPI.

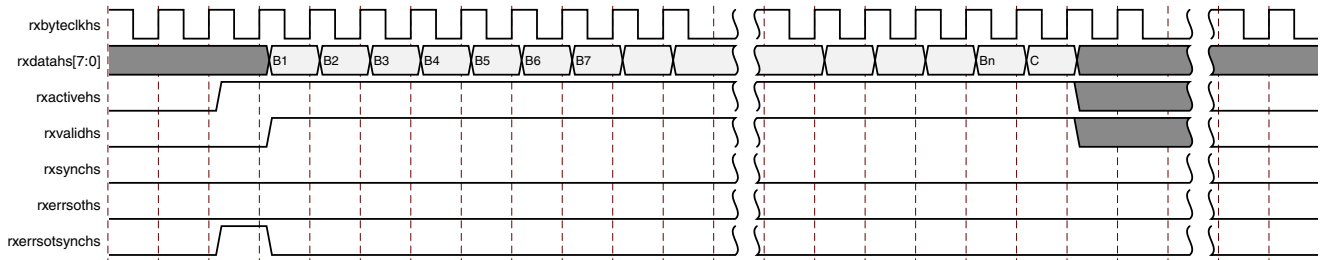


Figure 3-22: High-speed Mode Data Receive with Loss Of Synchronization at the D-PHY RX (Slave)

**Example 9: Low-Power Receive at D-PHY RX (Slave) Side**

Figure 3-23 shows a single-byte data reception in low-power mode.

- The `rxclkesc` signal is generated by the MIPI D-PHY RX core from the data lane interconnect.
- The signal `rxlpdtesc` is asserted by the MIPI D-PHY RX core when the LPDT entry command is detected and stays High until the data lane returns to the Stop state, indicating that the LPDT transmission has finished.
- `rxdataesc[7:0]` is valid when `rxvalidesc` is asserted High.

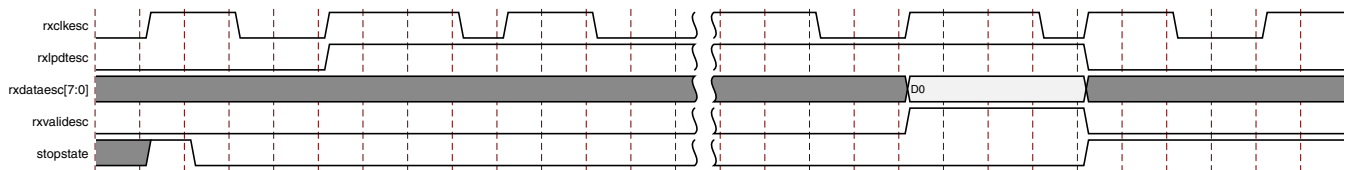


Figure 3-23: Low-Power Data Reception at the D-PHY RX (Slave)



**Example 10: Low-Power Receive With Synchronization Error at D-PHY RX (Slave) Side**

The MIPI D-PHY RX core reports an error to the PPI if the number of received valid bits during LPDT is not a multiple of eight. This is indicated by asserting `errsyncsc` along with `stopstate` and remains asserted until the next change in the serial line state. This behavior is shown in Figure 3-24.

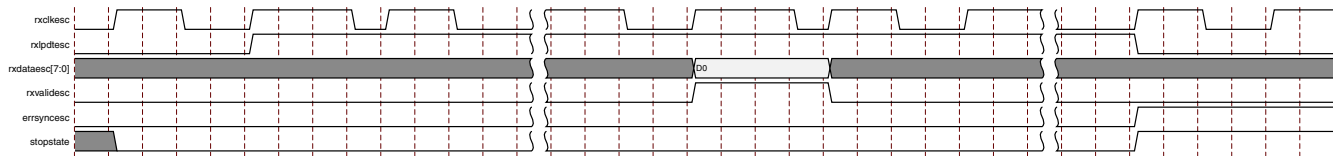


Figure 3-24: Low-Power Data Reception With Synchronization Error at the D-PHY RX (Slave)

**Example 11: ULPS Operation at D-PHY RX (Slave) Data Lane**

The RX Data lane ULPS entry is indicated by assertion of `rxulpsesc` along with assertion of `ulpsactivenot` (active-Low) signal. ULPS exit is marked by reception of MARK-1 on the line and `ulpsactivenot` is deasserted. After receiving MARK-1 for T\_WAKEUP time (1 ms minimum), `rxulpsesc` is deasserted. This behavior is shown in Figure 3-25.

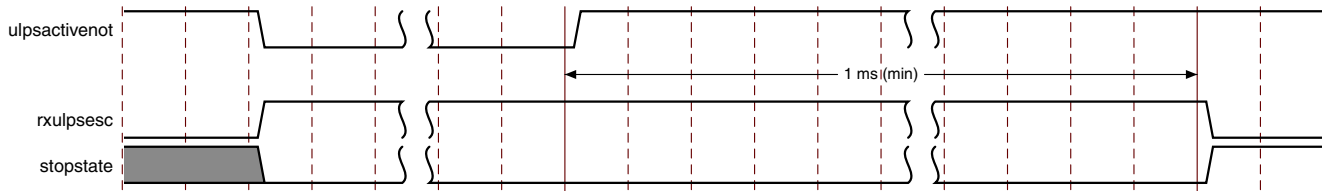


Figure 3-25: D-PHY RX (Slave) ULPS Mode Operation for Data Lane

**Example 12: ULPS Operation at D-PHY RX (Slave) Clock Lane**

The RX clock lane ULPS entry is indicated by assertion of `rxulpsclknot` (active-Low) along with assertion of `ulpsactivenot` (active-Low) signal. ULPS exit is marked by reception of MARK-1 on the line and `ulpsactivenot` is deasserted. After receiving MARK-1 for T\_WAKEUP time (1 ms minimum), `rxulpsclknot` is deasserted. This behavior is shown in Figure 3-26.

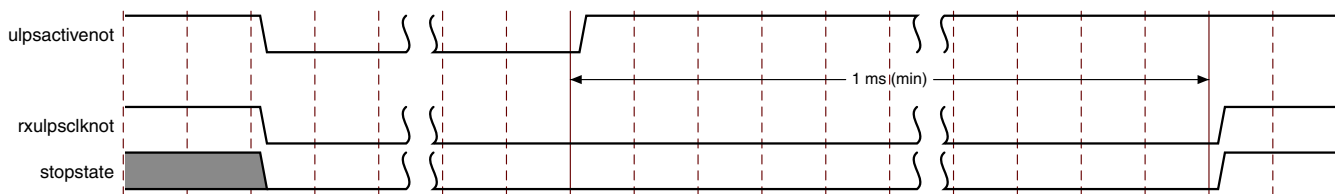


Figure 3-26: D-PHY RX (Slave) ULPS Mode Operation for Clock Lane

**Example 13: RX Data Lane Initialization Using forcerxmode**

The RX data lane can be initialized using the `forcerxmode` signal. This behavior is shown in Figure 3-27.

1. `forcerxmode` is the asynchronous signal and is sampled using `core_clk`.
2. The `forcerxmode` assertion resets the lane initialization status, which is shown as the `init_done` signal in the waveform.
3. LP-11 should be driven on dp/dn serial lines for `T_INIT` or longer by the MIPI D-PHY TX (Master). This initializes the RX data lane.
4. `stopstate` is driven High after lane is initialized.
5. `forcerxmode` can be deasserted by sampling `stopstate`.

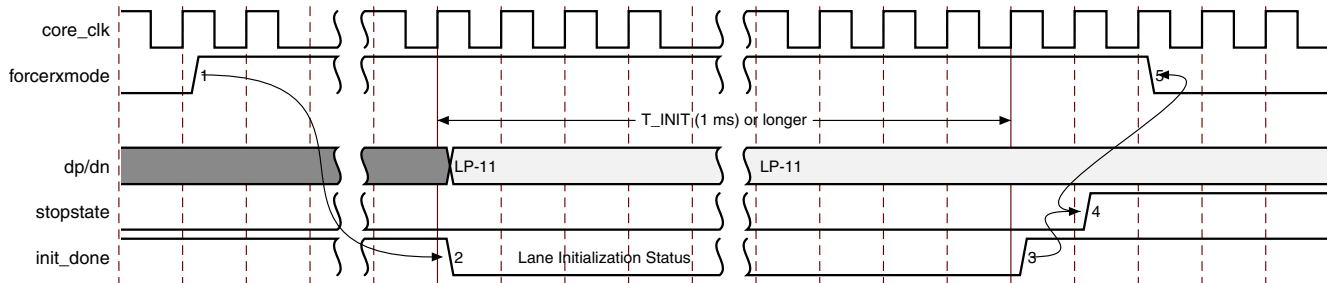


Figure 3-27: RX Data Lane Initialization Using `forcerxmode`

**Note:** Back channel communication is not available from the MIPI D-PHY RX (Slave) to the MIPI D-PHY TX (Master). Hence, you are responsible for making sure that MIPI D-PHY TX drives LP-11 on serial lines after `forcerxmode` is asserted on the MIPI D-PHY RX core module. Otherwise, the MIPI D-PHY RX core does not complete the initialization.

### AXI4-Lite Interface

The register interface uses an AXI4-Lite interface, which was selected because of its simplicity. Figure 3-28 and Figure 3-29 show typical AXI4-Lite write and read transaction timing diagrams.

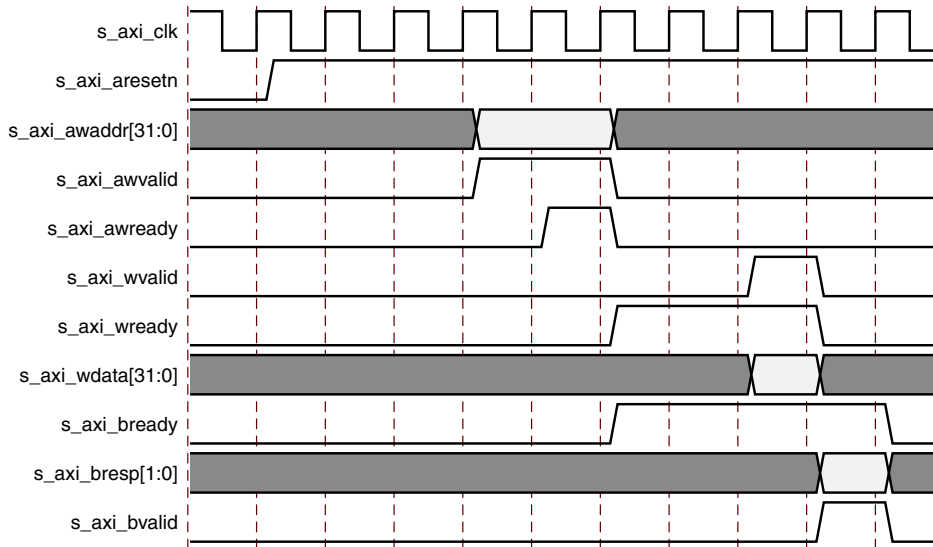


Figure 3-28: AXI4-Lite Write Timing Diagram

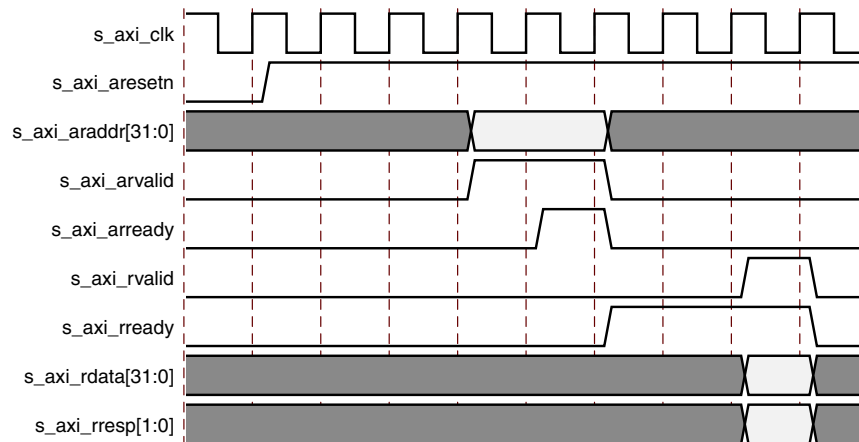


Figure 3-29: AXI4-Lite Read Timing Diagram

# Design Flow Steps

This chapter describes customizing and generating the core, constraining the core, and the simulation, synthesis and implementation steps that are specific to this IP core. More detailed information about the standard Vivado® design flows and the IP integrator can be found in the following Vivado Design Suite user guides:

- *Vivado Design Suite User Guide: Designing IP Subsystems using IP Integrator* (UG994) [Ref 4]
- *Vivado Design Suite User Guide: Designing with IP* (UG896) [Ref 5]
- *Vivado Design Suite User Guide: Getting Started* (UG910) [Ref 6]
- *Vivado Design Suite User Guide: Logic Simulation* (UG900) [Ref 7]

---

## Customizing and Generating the Core

This section includes information about using Xilinx tools to customize and generate the core in the Vivado® Design Suite.

If you are customizing and generating the core in the Vivado IP integrator, see the *Vivado Design Suite User Guide: Designing IP Subsystems using IP Integrator* (UG994) [Ref 4] for detailed information. IP integrator might auto-compute certain configuration values when validating or generating the design. To check whether the values do change, see the description of the parameter in this chapter. To view the parameter value, run the `validate_bd_design` command in the Tcl Console.

You can customize the IP for use in your design by specifying values for the various parameters associated with the IP core using the following steps:

1. Select the IP from the IP catalog.
2. Double-click the selected IP or select the **Customize IP** command from the toolbar or right-click menu.

For details, see the *Vivado Design Suite User Guide: Designing with IP* (UG896) [Ref 5] and the *Vivado Design Suite User Guide: Getting Started* (UG910) [Ref 6].

**Note:** Figures in this chapter are illustrations of the Vivado IDE. The layout depicted here might vary from the current version.

You can customize the core using the following parameters, or allow defaults to be used.

## Core Configuration Tab

Figure 4-1 shows the Core Configuration tab for customizing the MIPI D-PHY core.

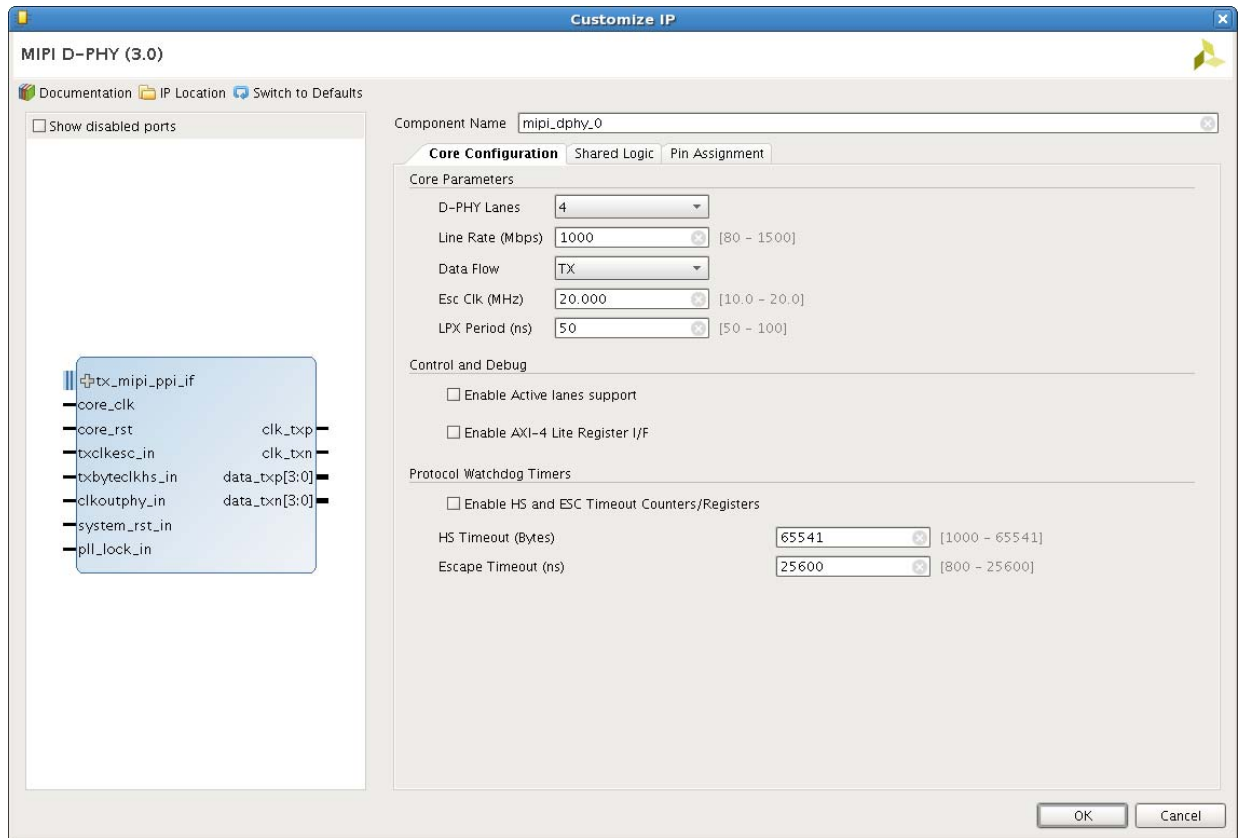


Figure 4-1: Core Configuration Tab

### Component Name

The Component Name is the base name of the output files generated for this core.



**IMPORTANT:** The name must begin with a letter and be composed of the following characters: a to z, A to Z, 0 to 9 and "\_."

## Core Parameters

### D-PHY Lanes

Select the number of data lanes to be used in the core. The valid range is from 1 to 4.

### Line Rate

Enter a line rate value in megabits per second (Mb/s) within the valid range from 80 to 1,500 Mb/s. Line rate is limited based on the speed grade and package of the selected device. See the respective device family data sheet for details on the line rate limits.

### Data Flow

Select the options for the direction of the data transfer. Available options are **TX** (for Master) and **RX** (for Slave).

### Escape Clk (MHz)

Enter a valid escape clock frequency in MHz into the text box for the MIPI D-PHY Master (TX) core. The valid range is from 10.000 to 20.000 MHz. Applicable only for the MIPI D-PHY TX core.

### LPX Period (ns)

Enter a valid LPX Period in nanoseconds (ns) into the text box for MIPI D-PHY Master (TX) core. The valid range is from 50 to 100 ns.

## Control and Debug

### Enable Active Lane support

Select this option to control TX data lanes. Active lanes allows the D-PHY TX to run with lower lanes than IP is configured for. This helps the lane down scaling and disabling any TX data lane by the deasserting corresponding bit in the `active_lanes_in` bus input. It is recommended to update the `active_lanes_in` when all data lanes are in stopstate. `HS_TX_TIMEOUT` will be disabled internally when `active_lanes_in` feature is exercised by the user.

### Enable AXI4-Lite Register I/F

Select the AXI4-Lite based register interface for control and debug purposes.

## ***Protocol Watchdog Timers***

### **Enable HS and ESC Timeout Counters/Registers**

Enable the HS\_TX\_TIMEOUT/HS\_RX\_TIMEOUT and ESC\_TIMEOUT counters. Select this option to enable the HS\_TIMEOUT and ESC\_TIMEOUT registers provided that the AXI-4 Lite register interface is enabled.

### **HS Timeout (Bytes)**

Enter the maximum transmission or reception length in bytes for High-Speed mode. The valid range is from 1,000 to 65,541 bytes.

### **Escape Timeout (ns)**

Enter the maximum transmission or reception length in ns for LPDT escape mode. The valid range is from 800 to 25,600 ns.

### **Calibration Mode**

Select the calibration for 7-Series D-PHY RX IP. Available options:

- None (default selection)- Will not add IDELAYE2 primitive.
- Fixed - Will set IDELAYE2 TAP value given in the IDELAY Tap Value.
- Auto - Will add IDELAYE2 primitive. IDELAY Tap Value will be configured by D-PHY RX IP based on received traffic and calibration algorithm.

### **IDELAY Tap Value**

Enter IDELAY TAP value used calibration in fixed mode. The valid range is from 1 (default option) to 31.

## Shared Logic Tab

Figure 4-2 shows the Shared Logic tab of the Customize IP interface.

**Note:** This tab is not available for 7-Series D-PHY RX configuration.

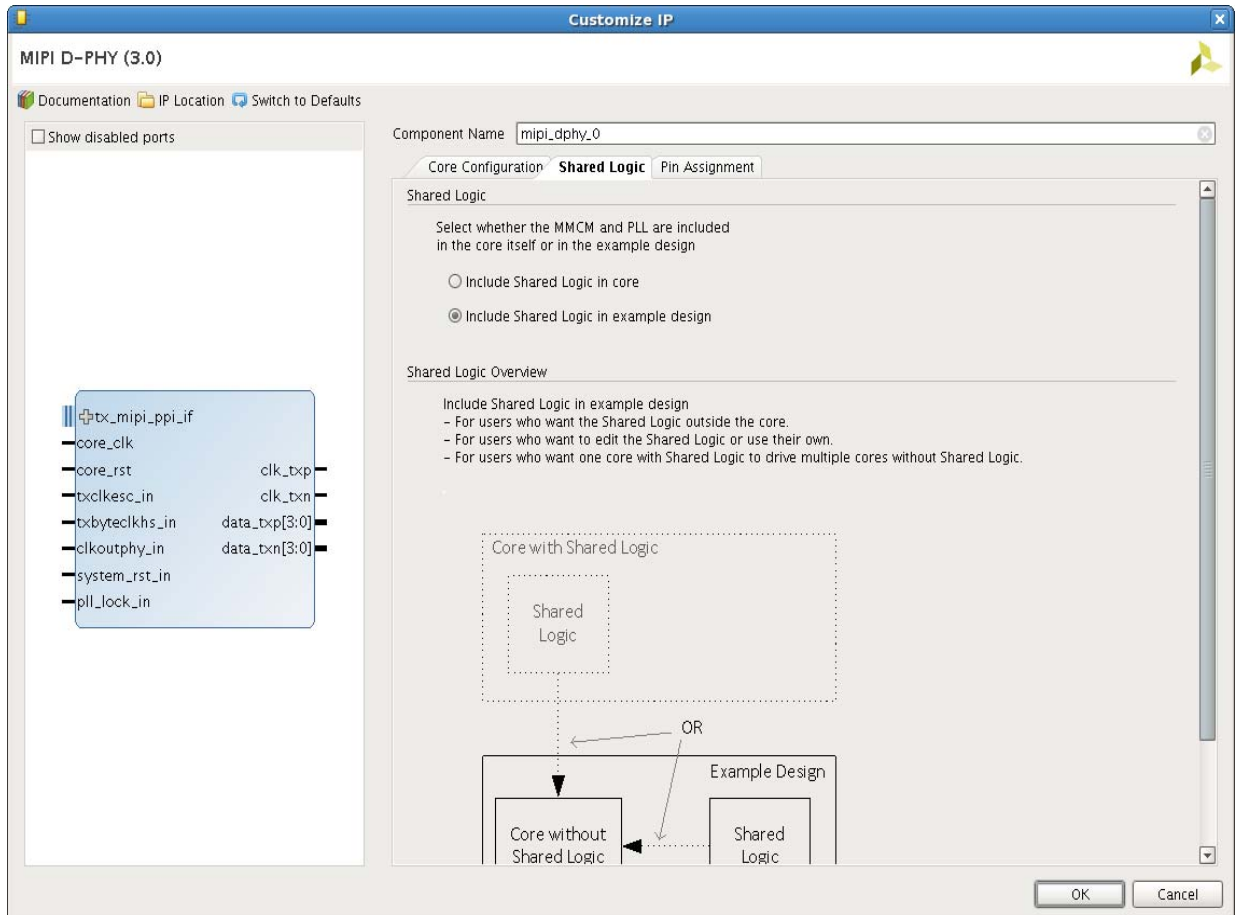


Figure 4-2: Shared Logic Tab

This tab allows you to select whether the MMCM and PLL are included in the core or in the example design.

Available options:

- Include Shared Logic in core
- Include Shared Logic in example design (default selection)



## Pin Assignment Tab

Figure 4-3 shows the I/O pin parameters for the core.

**Note:** This tab is not available for 7-Series D-PHY RX configuration.

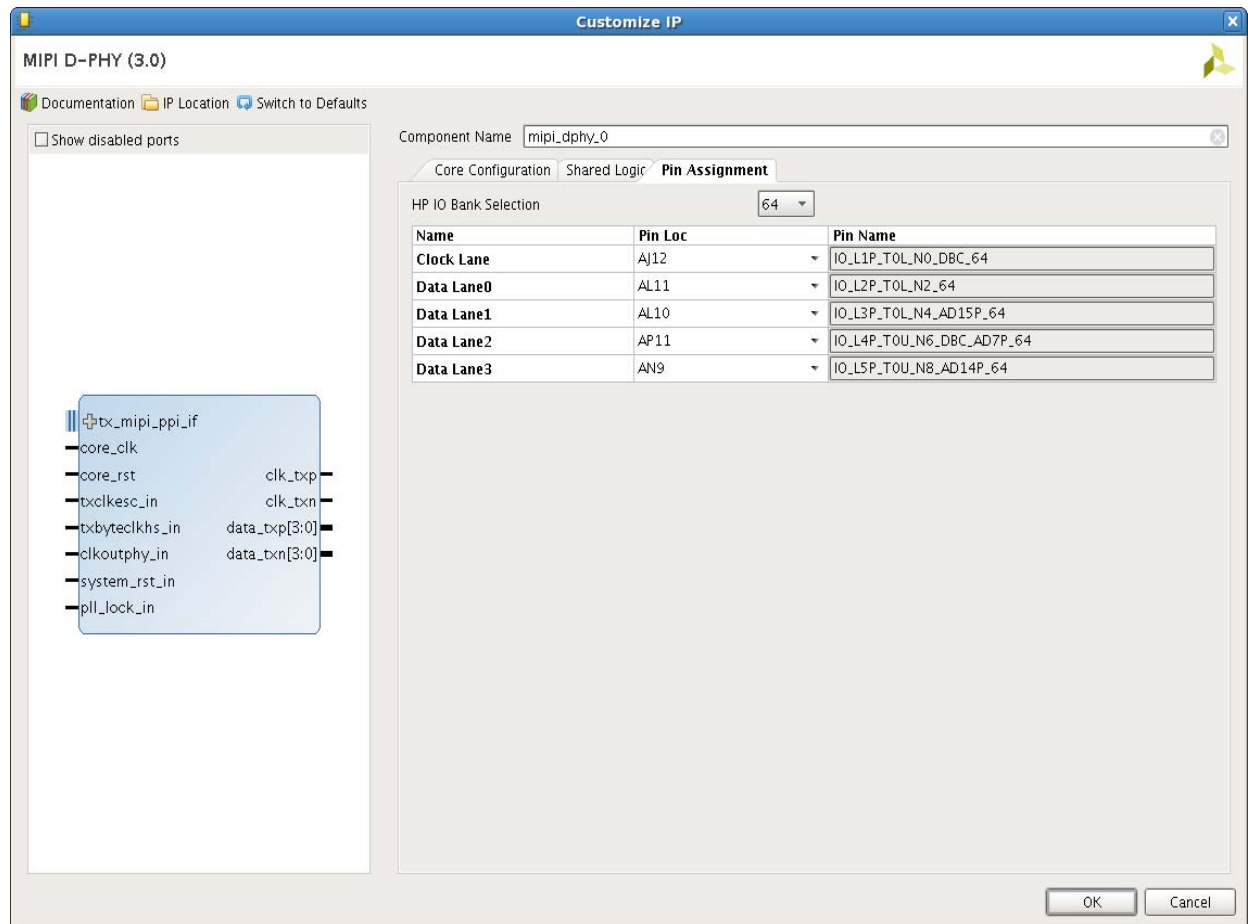


Figure 4-3: Pin Assignment Tab

### HP IO Bank Selection

Select the HP I/O bank for clock lane and data lane implementation.

### Clock Lane

Select the LOC for clock lane. This selection determines the I/O byte group within the selected HP I/O bank.

### Data Lane 0/1/2/3

This displays the Data lane 0, 1, 2, and 3 LOC based on the clock lane selection.

## User Parameters

Table 4-1 shows the relationship between the parameters in the Vivado IDE and the user parameters (which can be viewed in the Tcl Console).

Table 4-1: Vivado IDE Parameter to User Parameter Relationship

Vivado IDE Parameter/Value	User Parameter/Value	Default Value
<b>Core Parameters</b>		
D-PHY Lanes	C_DPHY_LANES	1
Line Rate (Mb/s)	C_LINE_RATE	1,000
Data Flow Mode	C_DATA_FLOW	Master (TX)
Escape Clk (MHz)	C_ESC_CLK_PERIOD	20.000
LPX (ns)	C_LPX_PERIOD	50
<b>Protocol Watchdog Timers</b>		
Enable HS and ESC timeout counters/Registers	C_EN_TIMEOUT_REGS	0
HS Timeout (Bytes)	C_HS_TIMEOUT	65,541
Escape Timeout (ns)	C_ESC_TIMEOUT	25,600
<b>Debug and Control</b>		
Enable Register Interface	C_EN_REGIF	0
Active Lane Support	C_EN_ACT_LANES	0

## Output Generation

For details, see the *Vivado Design Suite User Guide: Designing with IP* (UG896) [Ref 5].

## Constraining the Core

This section contains information about constraining the core in the Vivado Design Suite.

### Required Constraints

This section defines the additional constraint requirements for the core. Constraints are provided with a Xilinx Design Constraints (XDC) file. An XDC is provided with the HDL example design to give a starting point for constraints for your design.

### Device, Package, and Speed Grade Selections

This section is not applicable for this IP core.

## Clock Frequencies

`core_clk` should be specified as follows:

```
create_clock -name core_clk -period 5.000 [get_ports core_clk]
```

This constraint defines the frequency of `core_clk` that is supplied to the MMCM and PCS logic.

## Clock Management

The MIPI D-PHY core uses an MMCM to generate the general interconnect clocks, and the PLL is used to generate the serial clock and parallel clocks for the PHY. The input to the MMCM is constrained as shown in [Clock Frequencies](#). No additional constraints are required for the clock management.

## Clock Placement

This section is not applicable for this IP core.

## Banking

The MIPI D-PHY core provides the [Pin Assignment Tab](#) option to select the HP I/O bank. The clock lane and data lane(s) are implemented on the selected I/O bank BITSlice(s).

**Note:** Pin assignment is not applicable for 7-Series device D-PHY IP configurations.

## Transceiver Placement

This section is not applicable for this IP core.

## I/O Standard and Placement

MIPI standard serial I/O ports should use `MIPI_DPHY_DCI` for the I/O standard in the XDC file for UltraScale+™ families. The LOC and I/O standards must be specified in the XDC file for all input and output ports of the design. UltraScale+ MIPI D-PHY IP generates the IO pin LOC for the pins that are selected during IP customization. No IO pin LOC are provided for 7-Series MIPI D-PHY IP designs. You have to manually select the clock capable IO for 7-series RX clock lane and restrict the IO selection within the IO bank for both D-PHY TX and D-PHY RX IP configurations.

It is recommended to select the IO bank with VPR pin connected for UltraScale+ MIPI D-PHY TX IP core. If VPR pin is present in other IO bank in the same IO column of the device the following `DCI_CASCADE` XDC constraint should be used. For example, IO bank 65 has a VPR pin and the D-PHY TX IP is using the IO bank 66.

```
set_property DCI_CASCADE {66} [get_iobanks 65]
```

---

## Simulation

For comprehensive information about Vivado simulation components, as well as information about using supported third-party tools, see the *Vivado Design Suite User Guide: Logic Simulation* (UG900) [Ref 7].

---

## Synthesis and Implementation

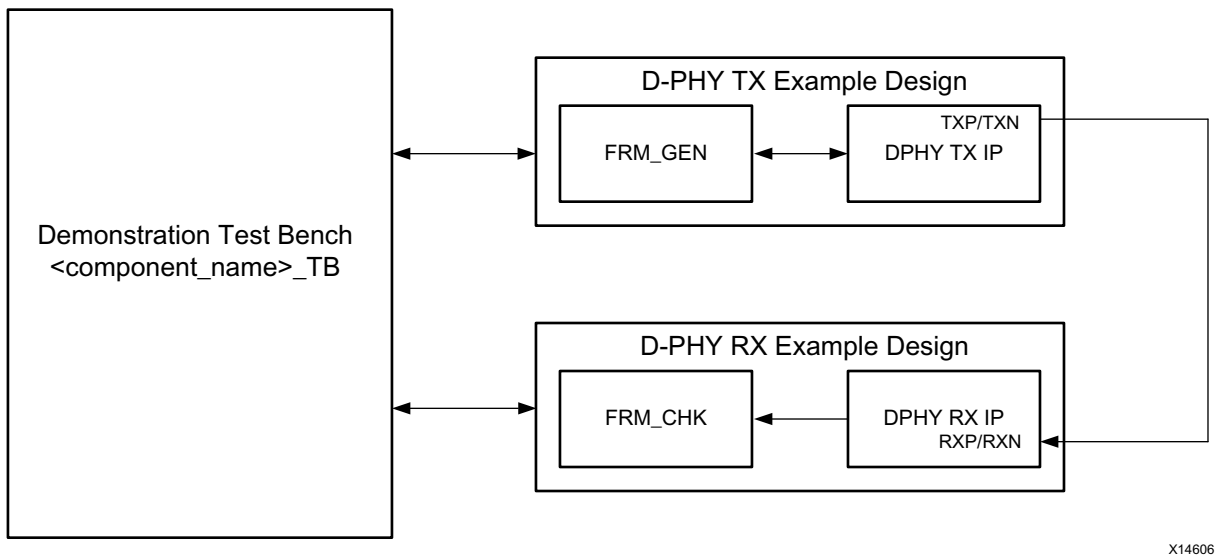
For details about synthesis and implementation, see the *Vivado Design Suite User Guide: Designing with IP* (UG896) [Ref 5].

# Example Design

This chapter contains information about the example design provided in the Vivado® Design Suite.

## Overview

The top module instantiates all components of the core and example design that are needed to implement the design in hardware, as shown in [Figure 5-1](#). This includes the FRM\_GEN, DPHY TX IP, FRM\_CHK and the DPHY RX IP modules.



X14606

Figure 5-1: MIPI D-PHY Core Example Design

The FRM\_GEN module generates user traffic for High-Speed mode and low-power data transmission (LPDT). This module contains a pseudo-random number generator using a linear feedback shift register (LFSR) with a specific initial value to generate a predictable sequence of data.

The FRM\_CHK module verifies the integrity of the RX data. This module uses the same LFSR and initial value as the FRM\_GEN module to generate the expected RX data. The received user data is compared with the locally-generated data and an error is reported if data comparison fails.

The example design can be used to quickly get an MIPI D-PHY core design up and running on a board, or perform a quick simulation of the module. When using the example design on a board, be sure to edit the `<component name>_exdes.xdc` file to supply the correct pins and clock constraints.



---

**IMPORTANT:** *This implementation is used only for reference and as a demonstration of the example test bench.*

---

---

## Simulating the Example Design

For more information about simulation, see the *Vivado Design Suite User Guide: Logic Simulation (UG900)* [Ref 7].

The simulation script performs the following:

1. Compiles the MIPI D-PHY example design and supporting simulation files.
2. Runs the simulation.
3. Runs checks to ensure that it completed successfully.

If the test *passes*, the following message is displayed:

```
MIPI_D-PHY_TB : INFO: Test Completed Successfully
```

If the test *fails*, the following message is displayed:

```
MIPI_D-PHY_TB : ERROR: Test Failed
```

If the test *hangs*, the following message is displayed:

```
MIPI_D-PHY_TB : ERROR: Test did not complete (timed-out)
```

# Test Bench

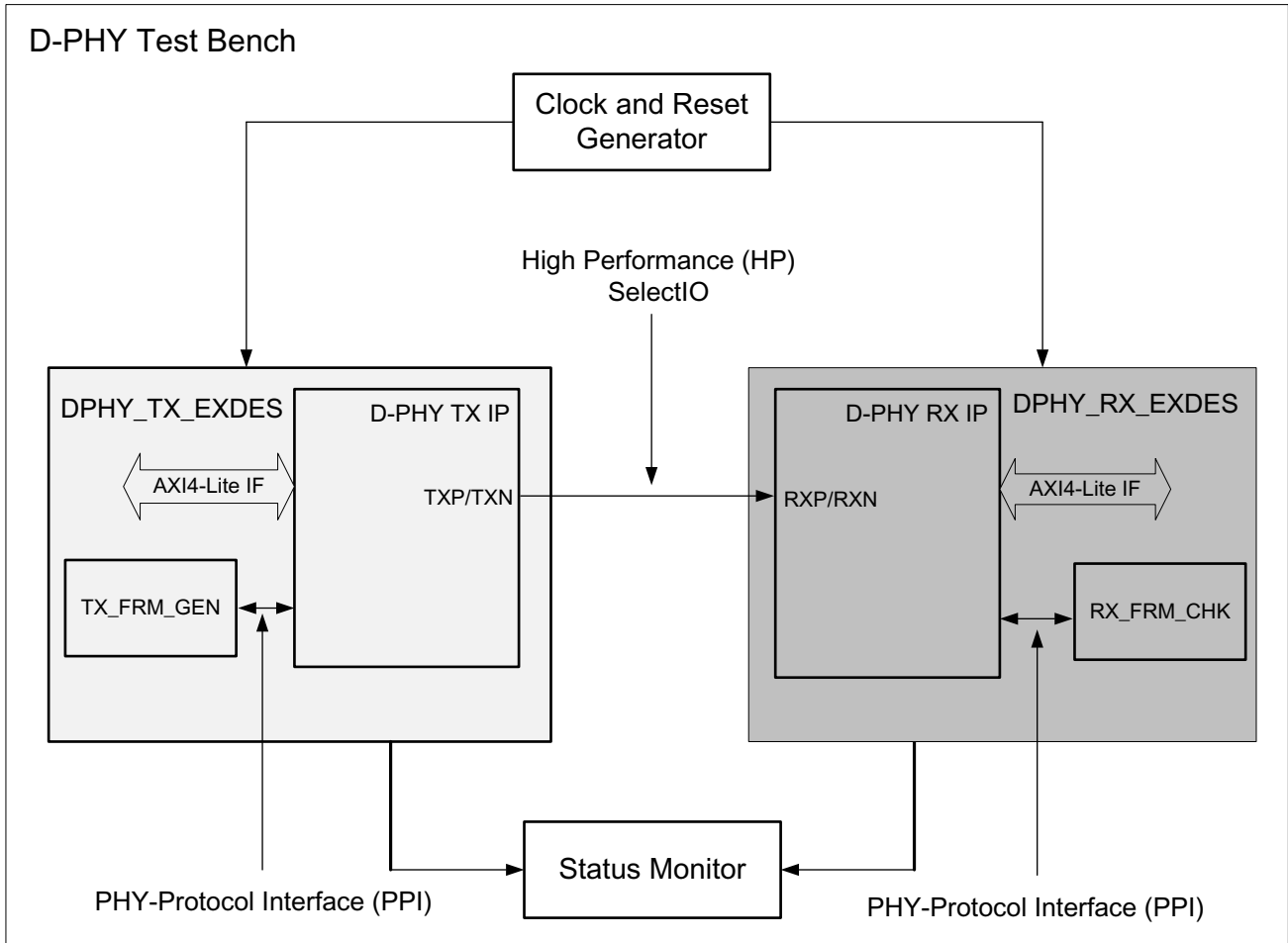
This chapter contains information about the test bench provided in the Vivado® Design Suite.

The MIPI D-PHY core delivers a demonstration test bench for the example design. This chapter describes the MIPI D-PHY core test bench and its functionality. The test bench consists of the following modules:

- Device Under Test (DUT)
- Clock and reset generator
- Status monitor

The example design demonstration test bench is a simple Verilog module to exercise the example design and the core itself. It simulates an instance of the MIPI D-PHY TX example design that is externally looped back to the MIPI D-PHY RX example design. [Figure 6-1](#) shows the MIPI D-PHY test bench where DUT1 is configured as D-PHY TX, and DUT2 is configured as D-PHY RX.

The MIPI D-PHY test bench generates all the required clocks and resets, and waits for successful data pattern checking to complete. If it fails to detect successful data pattern checking, it produces an error.



X14607-012716

Figure 6-1: MIPI D-PHY Test Bench



# Verification, Compliance, and Interoperability

The MIPI D-PHY core has been verified using both simulation and hardware testing. A highly parameterizable transaction-based simulation test suite has been used to verify the core. The tests include:

- High-Speed data transmission
- High-Speed data reception
- Low-Power data transmission (LPDT)
- LPDT data reception
- Clock lane Ultra-Low Power State (ULPS) operation
- Data lane ULPS operation
- Triggers and escape mode commands
- Recovery from error conditions
- Register read and write access

---

## Hardware Validation

The MIPI D-PHY core is tested in hardware for functionality, performance, and reliability using Xilinx® evaluation platforms. The MIPI D-PHY core verification test suites for all possible modules are continuously being updated to increase test coverage across the range of possible parameters for each individual module.

A series of MIPI D-PHY core test scenarios are validated using the Zynq® UltraScale+™ MPSoC, ZCU102 development board. This board allows the prototyping of system designs where the MIPI D-PHY core is used for high-speed serial communication between two boards.

7-Series devices doesn't have native MIPI IOB support and user has to target the HP bank IO for MIPI IP implementation. For more information on MIPI IOB compliant solution and guidance, refer *D-PHY Solutions* (XAPP894) [Ref 10].

# Debugging

This appendix includes details about resources available on the Xilinx Support website and debugging tools.

---

## Finding Help on Xilinx.com

To help in the design and debug process when using the MIPI D-PHY, the [Xilinx Support web page](#) contains key resources such as product documentation, release notes, answer records, information about known issues, and links for obtaining further product support.

### Documentation

This product guide is the main document associated with the MIPI D-PHY. This guide, along with documentation related to all products that aid in the design process, can be found on the [Xilinx Support web page](#) or by using the Xilinx Documentation Navigator.

Download the Xilinx Documentation Navigator from the [Downloads page](#). For more information about this tool and the features available, open the online help after installation.

### Answer Records

Answer Records include information about commonly encountered problems, helpful information on how to resolve these problems, and any known issues with a Xilinx product. Answer Records are created and maintained daily ensuring that users have access to the most accurate information available.

Answer Records for this core can be located by using the Search Support box on the main [Xilinx support web page](#). To maximize your search results, use proper keywords such as

- Product name
- Tool message(s)
- Summary of the issue encountered

A filter search is available after results are returned to further target the results.

## Master Answer Record for the MIPI D-PHY

AR: [54550](#)

### Technical Support

Xilinx provides technical support in the [Xilinx Support web page](#) for this LogiCORE™ IP product when used as described in the product documentation. Xilinx cannot guarantee timing, functionality, or support if you do any of the following:

- Implement the solution in devices that are not defined in the documentation.
- Customize the solution beyond that allowed in the product documentation.
- Change any section of the design labeled DO NOT MODIFY.

To contact Xilinx Technical Support, navigate to the [Xilinx Support web page](#).

---

## Vivado Design Suite Debug Tools

The Vivado® Design Suite debug feature inserts logic analyzer and virtual I/O cores directly into your design. The debug feature also allows you to set trigger conditions to capture application and integrated block port signals in hardware. Captured signals can then be analyzed. This feature in the Vivado IDE is used for logic debugging and validation of a design running in Xilinx devices.

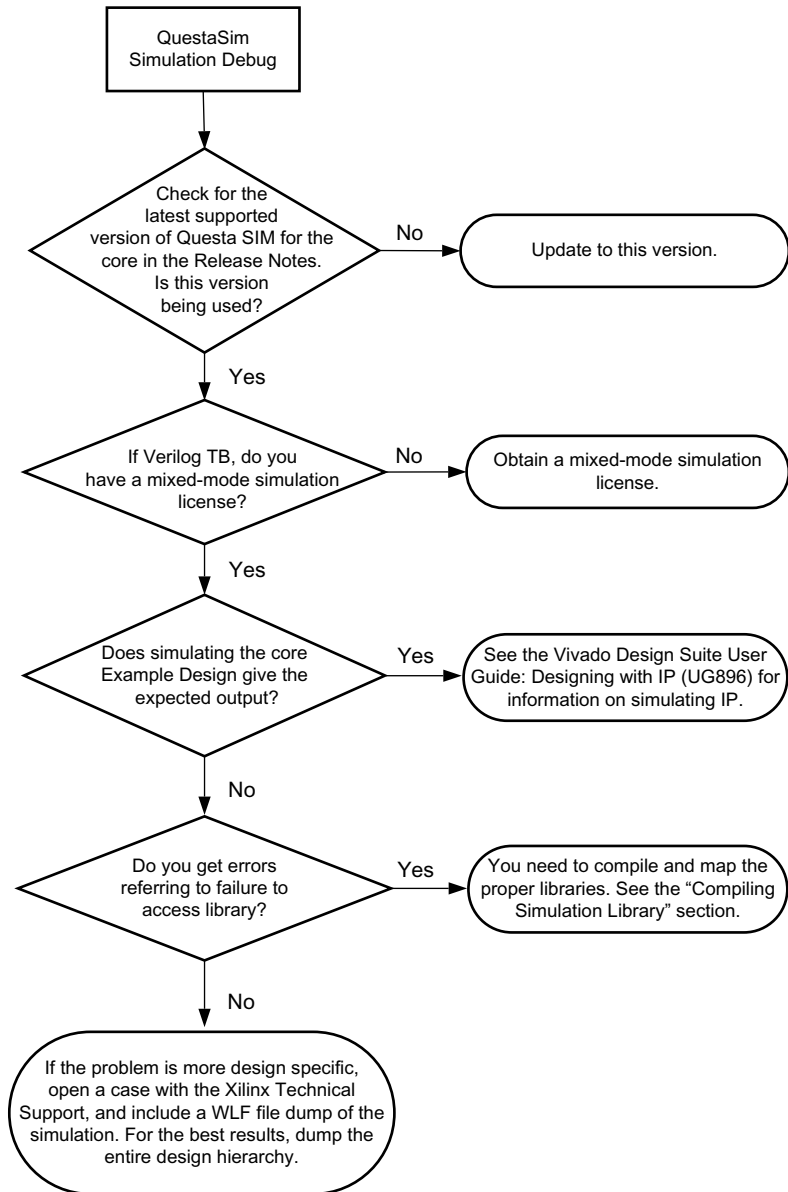
The Vivado logic analyzer is used with the logic debug IP cores, including:

- ILA 2.0 (and later versions)
- VIO 2.0 (and later versions)

See the *Vivado Design Suite User Guide: Programming and Debugging* (UG908) [\[Ref 8\]](#).

# Simulation Debug

The simulation debug flow for Mentor Graphics Questa Simulator (QuestaSim) is illustrated in [Figure B-1](#). A similar approach can be used with other simulators.



X14842-012616

Figure B-1: QuestaSim Simulation Debug Flow

## Hardware Debug

Hardware issues can range from link bring-up to problems seen after hours of testing. This section provides debug steps for common issues. The Vivado Design Suite debug feature is a valuable resource to use in hardware debug. The signal names mentioned in the following individual sections can be probed using the debug feature for debugging the specific problems.

Ensure that all the timing constraints for the core were properly incorporated from the example design and that all constraints were met during implementation.

- Ensure that MMCM and PLL have obtained lock by monitoring the `mmcm_lock_out` and `pll_lock_out` ports respectively.
- Check that the `enable` signal is connected and active-High during core operation.
- Ensure that HS and Escape mode transactions are started when the core is in Stop state.

Figure B-2 shows the steps to perform a hardware debug.

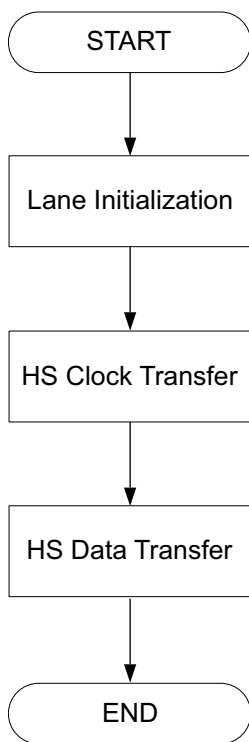


Figure B-2: Debug Flow Chart

## Lane Initialization

After the assertion of power-on reset, MMCM lock followed by PLL lock should be asserted by the core. Monitor the `mmcm_lock_out` and `pll_lock_out` signals for the lock status. The serial lines of clock lane and data lane(s) should be driven with LP-11 for a period of `T_INIT`. The `T_INIT` value of the D-PHY RX should be 50% to 80% of the `T_INIT` value of the D-PHY TX. Bit 3 of the `CL_STATUS` or `DL_STATUS` registers confirm the completion of initialization. When the D-PHY core completes the initialization, `stopstate` is asserted on the PPI. Bit 4 of the `CL_STATUS` register and bit 6 of the `DL_STATUS` register indicate the Stop state.

## HS Clock Transfer

The high-speed clock is transmitted on the D-PHY TX clock lane. The assertion of `txrequesths` on the TX clock lane starts the clock transmission. A value of `2'b01` in the `MODE` field of the `CL_STATUS` register confirms the HS clock transfer. The `cl_rxclkactivehs` PPI signal also can be used to confirm the HS clock reception in the D-PHY RX.

## HS Data Transfer

HS data can be transferred as soon as the HS clock transmission has started. The `txrequesths` signal on the TX data lane starts the data transfer. A value of `2'b01` in the `MODE` field of the `DL_STATUS` register confirms that the data lane is in HS mode. The `PKT_CNT` field of the `DL_STATUS` register provides the numbers of packets transmitted or received by the data lane. The HS mode PPI signals can also be used to monitor the HS data transfer. Each `txrequesths` is counted as one packet in the D-PHY TX and each `rxactivehs` with a `rxsynchs` pulse is considered as one packet in the D-PHY RX. Note that the D-PHY RX also counts erroneous transactions such as `errsoths` and `errsothsynchs`.

You can start with a small number of packets from the D-PHY TX and check whether the `PKT_CNT` of both the D-PHY TX and D-PHY RX match. Ensure that all of the control mode sequences are captured without any errors and that the `errcontrol` signal of the PPI RX is asserted if any erroneous control sequence is received on the serial lines. The `HS_ABORT` field in the `DL_STATUS` register is asserted if the D-PHY RX is receiving more bytes than the `HS_TIMEOUT` programmed value.

---

## AXI4-Lite Interface Debug

Read from a register that does not have all 0s as a default to verify that the interface is functional. See [Figure 3-29](#) for a read timing diagram. Output `s_axi_arready` asserts when the read address is valid, and output `s_axi_rvalid` asserts when the read data/response is valid. If the interface is unresponsive, ensure that the following conditions are met:

- The `s_axi_aclk` and `aclk` inputs are connected and toggling.
- The interface is not being held in reset, and `s_axi_areset` is an active-Low reset.
- The interface is enabled, and `s_axi_aclken` is active-High (if used).
- The main core clocks are toggling and that the enables are also asserted.
- If the simulation has been run, verify in simulation and/or a Vivado Design Suite debug feature captures that the waveform is correct for accessing the AXI4-Lite interface.

# Additional Resources and Legal Notices

---

## Xilinx Resources

For support resources such as Answers, Documentation, Downloads, and Forums, see [Xilinx Support](#).

---

## References

These documents provide supplemental material useful with this product guide:

1. [MIPI Alliance D-PHY Specification](#)
2. *Vivado Design Suite AXI Reference Guide* ([UG1037](#))
3. UltraScale Architecture SelectIO Resources ([UG571](#))
4. *Vivado Design Suite User Guide: Designing IP Subsystems using IP Integrator* ([UG994](#))
5. *Vivado Design Suite User Guide: Designing with IP* ([UG896](#))
6. *Vivado Design Suite User Guide: Getting Started* ([UG910](#))
7. *Vivado Design Suite User Guide: Logic Simulation* ([UG900](#))
8. *Vivado Design Suite User Guide: Programming and Debugging* ([UG908](#))
9. *Vivado Design Suite User Guide: Implementation* ([UG904](#))
10. *D-PHY Solutions* ([XAPP894](#))



## Revision History

The following table shows the revision history for this document.

Date	Version	Revision
10/05/2016	3.0	<ul style="list-style-type: none"> <li>Added 7-Series support</li> <li>Updated Figure 3-12 waveform</li> <li>Added Active Lane Support in Chapter 4</li> </ul>
04/06/2016	2.0	<ul style="list-style-type: none"> <li>Updated D-PHY RX latency numbers.</li> <li>Added PKT_CNT field and updated HS_TIMEOUT/ESC_TIMEOUT registers.</li> <li>Added Shared Logic feature.</li> <li>Updated I/O planning feature.</li> <li>Updated Clocking section.</li> <li>Added recommended reset sequence for D-PHY in a system.</li> <li>Updated the rxvalidhs signal behavior in Example 6 of High-Speed Receive.</li> <li>Added Hardware Validation in Appendix A.</li> <li>Added Debug Flow Chart in Appendix B.</li> </ul>
11/18/2015	1.0	Initial Xilinx release.

## Please Read: Important Legal Notices

The information disclosed to you hereunder (the “Materials”) is provided solely for the selection and use of Xilinx products. To the maximum extent permitted by applicable law: (1) Materials are made available “AS IS” and with all faults, Xilinx hereby DISCLAIMS ALL WARRANTIES AND CONDITIONS, EXPRESS, IMPLIED, OR STATUTORY, INCLUDING BUT NOT LIMITED TO WARRANTIES OF MERCHANTABILITY, NON-INFRINGEMENT, OR FITNESS FOR ANY PARTICULAR PURPOSE; and (2) Xilinx shall not be liable (whether in contract or tort, including negligence, or under any other theory of liability) for any loss or damage of any kind or nature related to, arising under, or in connection with, the Materials (including your use of the Materials), including for any direct, indirect, special, incidental, or consequential loss or damage (including loss of data, profits, goodwill, or any type of loss or damage suffered as a result of any action brought by a third party) even if such damage or loss was reasonably foreseeable or Xilinx had been advised of the possibility of the same. Xilinx assumes no obligation to correct any errors contained in the Materials or to notify you of updates to the Materials or to product specifications. You may not reproduce, modify, distribute, or publicly display the Materials without prior written consent. Certain products are subject to the terms and conditions of Xilinx’s limited warranty, please refer to Xilinx’s Terms of Sale which can be viewed at <http://www.xilinx.com/legal.htm#tos>; IP cores may be subject to warranty and support terms contained in a license issued to you by Xilinx. Xilinx products are not designed or intended to be fail-safe or for use in any application requiring fail-safe performance; you assume sole risk and liability for use of Xilinx products in such critical applications, please refer to Xilinx’s Terms of Sale which can be viewed at <http://www.xilinx.com/legal.htm#tos>.

### AUTOMOTIVE APPLICATIONS DISCLAIMER

AUTOMOTIVE PRODUCTS (IDENTIFIED AS “XA” IN THE PART NUMBER) ARE NOT WARRANTED FOR USE IN THE DEPLOYMENT OF AIRBAGS OR FOR USE IN APPLICATIONS THAT AFFECT CONTROL OF A VEHICLE (“SAFETY APPLICATION”) UNLESS THERE IS A SAFETY CONCEPT OR REDUNDANCY FEATURE CONSISTENT WITH THE ISO 26262 AUTOMOTIVE SAFETY STANDARD (“SAFETY DESIGN”). CUSTOMER SHALL, PRIOR TO USING OR DISTRIBUTING ANY SYSTEMS THAT INCORPORATE PRODUCTS, THOROUGHLY TEST SUCH SYSTEMS FOR SAFETY PURPOSES. USE OF PRODUCTS IN A SAFETY APPLICATION WITHOUT A SAFETY DESIGN IS FULLY AT THE RISK OF CUSTOMER, SUBJECT ONLY TO APPLICABLE LAWS AND REGULATIONS GOVERNING LIMITATIONS ON PRODUCT LIABILITY.

© Copyright 2015–2016 Xilinx, Inc. Xilinx, the Xilinx logo, Artix, ISE, Kintex, Spartan, Virtex, Vivado, Zynq, and other designated brands included herein are trademarks of Xilinx in the United States and other countries. All other trademarks are the property of their respective owners.