

7 Series FPGAs Integrated Block for PCI Express v1.8

Product Guide

PG054 December 18, 2012

Table of Contents

SECTION I: SUMMARY

IP Facts

Chapter 1: Overview

Feature Summary	9
Applications	10
Licensing and Ordering Information	10

Chapter 2: Product Specification

Standards Compliance	12
Resource Utilization	12
Minimum Device Requirements	13
Available Integrated Blocks for PCIe	14
Core Interfaces	15
Transaction Interface	18
PCI Configuration Space	44

Chapter 3: Designing with the Core

General Design Guidelines	50
Tandem Configuration	161
Clocking	202
Resets	205
Protocol Layers	206
FPGA Configuration	208

SECTION II: VIVADO DESIGN SUITE

Chapter 4: Customizing and Generating the Core

Graphical User Interface (GUI)	217
Output Generation	244

Chapter 5: Constraining the Core

Required Constraint Modifications.....	246
Device, Package, and Speed Grade Selections.....	247
Core I/O Assignments	248
Core Physical Constraints	248
Core Timing Constraints	249
Relocating the Integrated Block Core.....	249
Supported Core Pinouts.....	250

Chapter 6: Getting Started Example Design

Directory and File Contents.....	253
Example Design	257
Generating the Core.....	260
Implementation	266
Simulation	267

Chapter 7: Example Design and Model Test Bench for Endpoint Configuration

Programmed Input/Output: Endpoint Example Design	269
Root Port Model Test Bench for Endpoint	284

Chapter 8: Example Design and Model Test Bench for Root Port Configuration

Configurator Example Design	300
Endpoint Model Test Bench for Root Port	306

Chapter 9: PIPE Mode Simulations

SECTION III: ISE DESIGN SUITE

Chapter 10: Customizing and Generating the Core

GUI	311
Output Generation.....	337

Chapter 11: Constraining the Core

Required Constraint Modifications.....	338
Device, Package, and Speed Grade Selections.....	339
Core I/O Assignments	340
Core Physical Constraints	340
Core Timing Constraints	341
Relocating the Integrated Block Core.....	341

Supported Core Pinouts.	342
---------------------------------	-----

Chapter 12: Example Design

Directory and File Contents.	346
Example Design	351
Generating the Core.	355
Implementation	358
Simulation	359

Chapter 13: Example Design and Model Test Bench for Endpoint Configuration

Programmed Input/Output: Endpoint Example Design	361
Root Port Model Test Bench for Endpoint	376

Chapter 14: Example Design and Model Test Bench for Root Port Configuration

Configurator Example Design	392
Endpoint Model Test Bench for Root Port	398

Chapter 15: PIPE Mode Simulations

SECTION IV: APPENDICES

Appendix A: Migrating

Migration Considerations	403
TRN to AXI Migration Considerations.	406

Appendix B: Debugging

Finding Help on Xilinx.com	415
Contacting Xilinx Technical Support.	416
Debug Tools	417
Simulation Debug.	420
Hardware Debug	424

Appendix C: Managing Receive-Buffer Space for Inbound Completions

General Considerations and Concepts	436
Methods of Managing Completion Space	438

Appendix D: PCIE_2_1 Port Descriptions

Clock and Reset Interface	443
Transaction Layer Interface.	444
Block RAM Interface	448

GTX Transceiver Interface	449
Configuration Management Interface	456
Dynamic Reconfiguration Port Interface	487
Debug Interface Ports	487
TL2 Interface Ports	488

Appendix E: Additional Resources

Xilinx Resources	490
References	490
Revision History	491
Notice of Disclaimer	491

SECTION I: SUMMARY

IP Facts

Overview

Product Specification

Designing with the Core

Introduction

The LogiCORE™ IP 7 Series FPGAs Integrated Block for PCI Express® core is a scalable, high-bandwidth, and reliable serial interconnect building block for use with Xilinx® Zynq-7000 All Programmable SoC (System on a Chip), and 7 series FPGA families. The Integrated Block for PCI Express (PCIe®) solution supports 1-lane, 2-lane, 4-lane, and 8-lane Endpoint and Root Port configurations at up to 5 Gb/s (Gen2) speeds, all of which are compliant with the *PCI Express Base Specification, rev. 2.1*. This solution supports the AMBA® AXI4-Stream interface for the customer user interface.

With higher bandwidth per pin, low overhead, low latency, reduced signal integrity issues, and CDR architecture, the Integrated Block for PCIe sets the industry standard for a high-performance, cost-efficient, third-generation I/O solution.

The Integrated Block for PCI Express solution is compatible with industry-standard application form factors such as the *PCI Express Card Electromechanical (CEM) v2.0* and the *PCI Industrial Computer Manufacturers Group (PICMG) 3.4* specifications.

Features

- High-performance, highly flexible, scalable, and reliable, general-purpose I/O core
 - Compliant with the *PCI Express Base Specification, rev. 2.1*
 - Compatible with conventional PCI software model
- Incorporates Xilinx Smart-IP technology to guarantee critical timing
- Uses GTXE2 or GTPE2 transceivers for 7 series FPGA families
 - 2.5 GT/s and 5.0 GT/s line speeds
 - Supports 1-lane, 2-lane, 4-lane, and 8-lane operation
 - Elastic buffers and clock compensation
 - Automatic clock data recovery

LogiCORE IP Facts Table	
Core Specifics	
Supported Device Family ⁽¹⁾	Zynq-7000 ⁽²⁾ , Virtex®-7, Kintex™-7, Artix™-7
Supported User Interfaces	AXI4-Stream
Resources	See Table 2-2 .
Provided with Core	
Design Files	ISE: Verilog/VHDL ⁽³⁾ RTL Source and Simulation Models Vivado: Verilog/VHDL ⁽³⁾ RTL Source and Simulation Models
Example Design	Verilog, VHDL
Test Bench	Verilog, VHDL
Constraints File	ISE: UCF Vivado: XDC
Simulation Model	Verilog, VHDL
Supported S/W Driver	N/A
Tested Design Flows⁽⁴⁾	
Design Entry	ISE® Design Suite v14.4 Vivado™ Design Suite v2012.4 ⁽⁵⁾
Simulation	Cadence Incisive Enterprise Simulator (IES) Synopsys VCS and VCS MX Mentor Graphics ModelSim Xilinx ISim Vivado Simulator
Synthesis	Xilinx Synthesis Technology (XST) Vivado Synthesis
Support	
Provided by Xilinx @ www.xilinx.com/support	

Notes:

1. For a complete listing of supported devices, see the [release notes](#) for this core.
2. Support for Zynq-7000 devices is not available in Vivado Design Suite 2012.4
3. RTL source for the GTX wrapper is Verilog only. VHDL projects require mixed language mode simulators.
4. For the supported versions of the tools, see the [Xilinx Design Tools: Release Notes Guide](#).
5. Supports only 7 series devices.

Features (Continued)

- Supports Endpoint and Root Port configurations
- 8B/10B encode and decode
- Supports Lane Reversal and Lane Polarity Inversion per PCI Express specification requirements
- Standardized user interface
 - Supports AXI4-Stream interface
 - Easy-to-use packet-based protocol
 - Full-duplex communication
 - Back-to-back transactions enable greater link bandwidth utilization
 - Supports flow control of data and discontinuation of an in-process transaction in transmit direction
 - Supports flow control of data in receive direction
- Compliant with PCI/PCI Express power management functions
- Supports a maximum transaction payload of up to 1024 bytes
- Supports Multi-Vector MSI for up to 32 vectors and MSI-X
- Up-configure capability enables application driven bandwidth scalability
- Compliant with PCI Express transaction ordering rules

Overview

Xilinx® 7 series FPGAs include three unified FPGA families that are all designed for lowest power to enable a common design to scale across families for optimal power, performance, and cost. The Artix™-7 family is optimized for lowest cost and absolute power for the highest volume applications. The Virtex®-7 family is optimized for highest system performance and capacity. The Kintex™-7 family is an innovative class of FPGAs optimized for the best price to performance. This document describes the function and operation of the 7 Series FPGAs Integrated Block for PCI Express®, including how to design, customize, and implement it.

The LogiCORE™ IP 7 Series FPGAs Integrated Block v1.8 for PCI Express core is a reliable, high-bandwidth, scalable serial interconnect building block. The core instantiates the 7 Series FPGA Integrated Block for PCI Express found in the 7 series FPGAs, and supports both Verilog and VHDL. This Integrated Block for PCIe simplifies the design process and reduces time to market. It is configurable for Endpoint and Root Port applications. This solution can be used in communication, multimedia, server and mobile platforms and enables applications such as high-end medical imaging, graphics intensive video games, DVD quality streaming video on the desktop, and 10 Gigabit Ethernet interface cards.

Although the 7 Series FPGAs Integrated Block for PCI Express core is a fully verified solution, the challenge associated with implementing a complete design varies depending on the configuration and functionality of the application.



RECOMMENDED: *For the best results, previous experience building high-performance, pipelined FPGA designs using Xilinx implementation software and constraints files is recommended.*

Feature Summary

The 7 Series FPGAs Integrated Block for PCI Express follows the *PCI Express Base Specification, rev. 2.1* [Ref 2] layering model, which consists of the Physical, Data Link, and Transaction Layers. The protocol uses packets to exchange information between layers. Packets are formed in the Transaction and Data Link Layers to carry information from the transmitting component to the receiving component. Necessary information is added to the packet being transmitted, which is required to handle the packet at specific layers.

The functions of the protocol layers include:

- Generating and processing of TLPs
 - Flow-control management
 - Initialization and power management functions
 - Data protection
 - Error checking and retry functions
 - Physical link interface initialization
 - Maintenance and status tracking
 - Serialization, deserialization, and other circuitry for interface operation
-

Applications

The Xilinx 7 series FPGAs Integrated Block for PCI Express architecture enables a broad range of computing and communications target applications, emphasizing performance, cost, scalability, feature extensibility and mission-critical reliability. Typical applications include:

- Data communications networks
 - Telecommunications networks
 - Broadband wired and wireless applications
 - Cross-connects
 - Network interface cards
 - Chip-to-chip and backplane interconnect
 - Crossbar switches
 - Wireless base stations
-

Licensing and Ordering Information

This Xilinx LogiCORE IP module is provided at no additional cost with the Xilinx Vivado™ Design Suite and ISE® Design Suite tools under the terms of the [Xilinx End User License](#). Information about this and other Xilinx LogiCORE IP modules is available at the [Xilinx Intellectual Property](#) page. For information about pricing and availability of other Xilinx LogiCORE IP modules and tools, contact your [local Xilinx sales representative](#).

For more information, visit the [7 Series FPGAs Integrated Block for PCI Express product page](#).

Product Specification

The Xilinx® 7 Series FPGAs Integrated Block for PCI Express® contains full support for 2.5 Gb/s and 5.0 Gb/s PCI Express Endpoint and Root Port configurations. For 8.0 Gb/s (Gen3) support, see *Virtex-7 FPGA Gen3 Integrated Block for PCI Express Product Guide (PG023)* [Ref 4], for device support and information on the Virtex®-7 FPGA Gen3 Integrated Block for PCI Express.

Table 2-1 defines the Integrated Block for PCIe® solutions.

Table 2-1: Product Overview

Product Name	User Interface Width	Supported Lane Widths
1-lane at 2.5 Gb/s, 5.0 Gb/s	64	x1
2-lane at 2.5 Gb/s, 5.0 Gb/s	64	x1, x2 ⁽¹⁾
4-lane at 2.5 Gb/s, 5.0 Gb/s	64, 128	x1, x2, x4 ^{(1),(2)}
8-lane at 2.5 Gb/s, 5.0 Gb/s	64, 128	x1, x2, x4, x8 ^{(1),(3)}

Notes:

1. See [Link Training: 2-Lane, 4-Lane, and 8-Lane Components](#), page 147 for additional information.
2. The x4 at 2.5 Gb/s option in the CORE Generator™ tool provides only the 64-bit width interface.
3. x8 at 5.0 Gb/s only available in the 128-bit width.

The LogiCORE™ IP 7 Series FPGAs Integrated Block for PCI Express core internally instantiates the 7 Series FPGAs Integrated Block for PCI Express (PCIE_2_1). The integrated block follows the PCI Express Base Specification layering model, which consists of the Physical, Data Link, and Transaction layers. The integrated block is compliant with the *PCI Express Base Specification, rev. 2.1* [Ref 2].

Figure 2-1 illustrates these interfaces to the 7 Series FPGAs Integrated Block for PCI Express core:

- System (SYS) interface
- PCI Express (PCI_EXP) interface
- Configuration (CFG) interface
- Transaction interface (AXI4-Stream)
- Physical Layer Control and Status (PL) interface

The core uses packets to exchange information between the various modules. Packets are formed in the Transaction and Data Link Layers to carry information from the transmitting component to the receiving component. Necessary information is added to the packet being transmitted, which is required to handle the packet at those layers. At the receiving end, each layer of the receiving element processes the incoming packet, strips the relevant information and forwards the packet to the next layer.

As a result, the received packets are transformed from their Physical Layer representation to their Data Link Layer representation and the Transaction Layer representation.

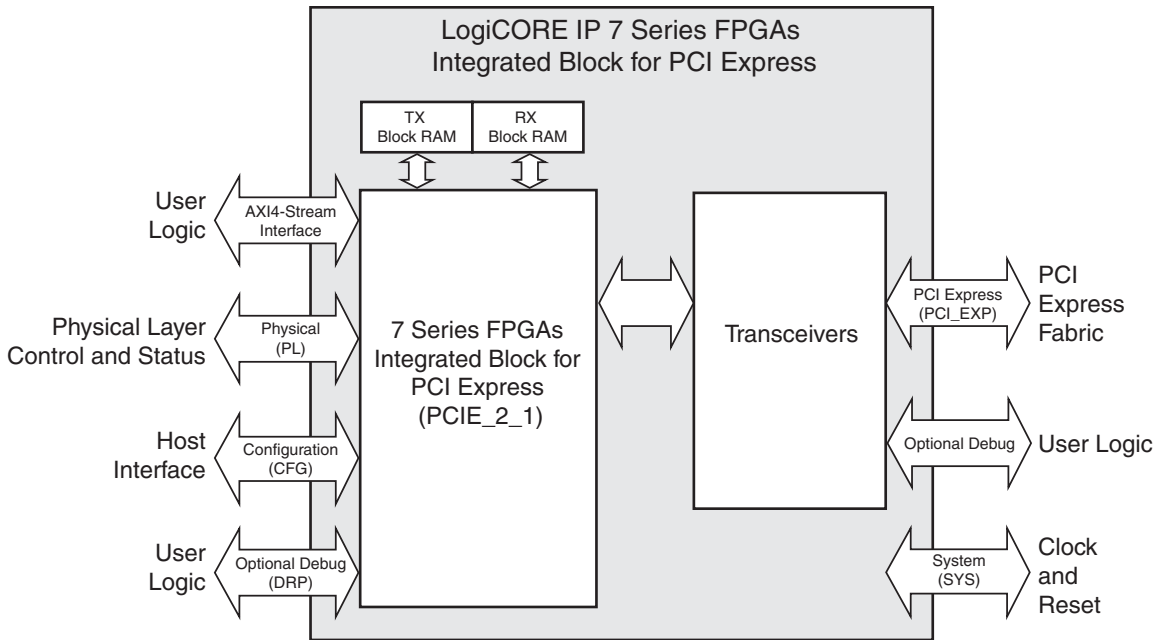


Figure 2-1: Top-Level Functional Blocks and Interfaces

Standards Compliance

The 7 Series FPGAs Integrated Block for PCI Express is compliant with the *PCI Express Base Specification, rev. 2.1* [Ref 2].

Resource Utilization

Table 2-2 shows the resources for the 7 series FPGAs Integrated Block for PCI Express core for ISE® Design Suite implementations.

Table 2-2: Resources Used

Product	Interface Width	GTXE1	LUT ⁽¹⁾	FF ⁽¹⁾	RX Buffers Size (KB)	TX Buffers Size (KB)	CMPS ⁽²⁾ (Bytes)	Block RAM	MMCMs	Clock Buffers
1-lane Gen1/ Gen2 ⁽³⁾	64-bit	1	400	575	8 and 16 ⁽⁴⁾	4-32	128-1024	2-16	1	5
2-lane Gen1/ Gen2	64-bit	2	525	750						
4-lane Gen1	64-bit	4	800	1100						
4-lane Gen2	64-bit, 128-bit	4	800	1300						
8-lane, Gen1	64-bit, 128-bit	8	1350	2275						
8-lane, Gen2	128-bit	8	1450	2600						

Notes:

- Numbers are for the default core configuration. Actual LUT and FF utilization values vary based on specific configurations.
- Capability Maximum Payload Size (CMPS).
- Gen1 speeds are 2.5 Gb/s. Gen2 speeds are 5.0 Gb/s.
- For 128 and 256 Max Payload Size (MPS), 4 KB and 8 KB. For 512 MPS, 8KB and 16KB. For 1024 MPS, 16 KB and 32 KB.

Minimum Device Requirements

Table 2-3 lists the minimum device requirements for 7 series FPGAs Integrated Block for PCI Express configurations.

Table 2-3: 7 Series FPGAs Integrated Block for PCI Express Configurations

		Zynq ⁽¹⁾ -7000 Devices	Virtex-7 FPGAs			Kintex-7 FPGAs	Artix-7 FPGAs ⁽⁴⁾
			XC7VX485T	XC7V585T	XC7V2000T ⁽²⁾	XC7K480T XC7K420 XC7K410T XC7K355T XC7K325T XCK7160T ⁽³⁾ XC7K70T ⁽³⁾	XC7A100T XC7A200T
Number of Integrated Blocks for PCIe (see Table 2-4)		1	4	3	4	1	1
Lanes	Gen1 (2.5 Gb/s)	1-4 or 1-8 ⁽⁶⁾	1-8	1-8	1-8	1-8	1-4
	Gen2 (5.0 Gb/s)	1-4 or 1-8 ⁽⁶⁾	1-8	1-8	1-8	1-8	1-4
	Gen3 (8.0 Gb/s) ⁽⁵⁾	—	—	—	—	—	—
Speed Grade	x1-x4 Gen1	-1, -2, -3, -2L	-1, -2, -3, -2L	-1, -2, -3, -2L	-1, -2, -2L	-1, -2, -3, -2L	-1, -2, -3, -2L
	x8 Gen1	-1, -2, -3, -2L	-1, -2, -3, -2L	-1, -2, -3, -2L	-1, -2, -2L	-1, -2, -3, -2L	NA
	x1-x4 Gen2	-1, -2, -3, -2L	-1, -2, -3, -2L	-1, -2, -3, -2L	-1, -2, -2L	-1, -2, -3, -2L	-2, -3
	x8 Gen2	-2, -3, -2L (1V)	-2, -3, -2L (1V)	-2, -3, -2L (1V)	-2, -2L (1V)	-2, -3, -2L (1V)	NA

Table 2-3: 7 Series FPGAs Integrated Block for PCI Express Configurations (Cont'd)

		Zynq ⁽¹⁾ -7000 Devices	Virtex-7 FPGAs			Kintex-7 FPGAs	Artix-7 FPGAs ⁽⁴⁾
			XC7VX485T	XC7V585T	XC7V2000T ⁽²⁾	XC7K480T XC7K420 XC7K410T XC7K355T XC7K325T XCK7160T ⁽³⁾ XC7K70T ⁽³⁾	XC7A100T XC7A200T
Maximum Payload Size MPS (Bytes)	Gen1	1024	1024	1024	1024	1024	1024
		1024					
	x1-x4 Gen2	1024	1024	1024	1024	1024	1024
	x8 Gen2	512 (-3) 256 (-2, -2L)	512 (-3) 256 (-2, -2L)	512 (-3) 256 (-2, -2L)	512 (-3) 256 (-2, -2L)	512 (-3) 256 (-2, -2L)	512 (-3) 256 (-2, -2L)

Notes:

1. Zynq-7000 devices are support in the ISE Design Suite flow only.
2. XC7V2000T is available in the Vivado tool flow, but not available in the ISE tool flow.
3. Kintex-7 FPGA FBG484 packages only support x1, x2, and x4 operation.
4. Artix-7 devices only support x1, x2, and x4 operation.
5. The 7 Series FPGAs Integrated Block for PCI Express does not support Gen3 operation. See *Virtex-7 FPGA Gen3 Integrated Block for PCI Express Product Guide (PG023)* [Ref 4], for device support and information on the Virtex-7 FPGA Gen3 Integrated Block for PCI Express.
6. 1-4 integrated blocks for 7030 devices, and 1-8 integrated blocks for 7045 devices.

Available Integrated Blocks for PCIe

Table 2-4 lists which 7 series Integrated Blocks are available for use in FPGAs containing multiple blocks. In some cases, not all blocks can be targeted due to lack of bonded transceiver sites adjacent to the Integrated Block.

Table 2-4: Available Integrated Blocks for PCIe

Device Selection			Integrated Block for PCIe Location				
Device	Package		X0Y0	X0Y1	X0Y2	X1Y0	X1Y1
Zynq	ZC7030		✓				
	ZC7045		✓				

Table 2-4: Available Integrated Blocks for PCIe (Cont'd)

Device Selection			Integrated Block for PCIe Location				
Device	Package		X0Y0	X0Y1	X0Y2	X1Y0	X1Y1
Virtex-7	XC7VX485T	FFG1157 FFG1761 FFG1930				✓	✓
		FFG1158 FFG1927	✓	✓		✓	✓
	XC7V585T	FFG1157		✓	✓		
		FFG1761	✓	✓	✓		
	XC7V2000T	FHG1761	✓	✓	✓		
		FLG1925	✓	✓			
Kintex	XC7K480T		✓				
	XC7K420		✓				
	XC7K410T		✓				
	XC7K355T		✓				
	XC7K325T		✓				
	XCK7160T		✓				
	XC7K70T		✓				
Artix	XC7A100T		✓				
	XC7A200T		✓				

Core Interfaces

The 7 Series FPGAs Integrated Block for PCI Express core includes top-level signal interfaces that have sub-groups for the receive direction, transmit direction, and signals common to both directions.

System Interface

The System (SYS) interface consists of the system reset signal (`sys_rst_n`) and the system clock signal (`sys_clk`), as described in [Table 2-5](#).

Table 2-5: System Interface Signals

Function	Signal Name	Direction	Description
System Reset	sys_rst_n	Input	Asynchronous signal. <code>sys_rst_n</code> must be asserted for at least 1500 ns during power on and warm reset operations.
System Clock	sys_clk	Input	Reference clock: Selectable frequency 100 MHz, 125 MHz, or 250 MHz.

Some 7 series devices do not have 3.3 V I/Os available. Therefore the appropriate level shift is required to operate with these devices that contain only 1.8 V banks.

The system reset signal is an asynchronous input. The assertion of `sys_rst_n` causes a hard reset of the entire core. The system reset signal is a 3.3 V signal.

The system input clock must be 100 MHz, 125 MHz, or 250 MHz, as selected in the CORE Generator™ tool GUI Clock and Reference signals.

PCI Express Interface

The PCI Express (PCI_EXP) interface consists of differential transmit and receive pairs organized in multiple lanes. A PCI Express lane consists of a pair of transmit differential signals (`pci_exp_txp`, `pci_exp_txn`) and a pair of receive differential signals {`pci_exp_rxp`, `pci_exp_rxn`}. The 1-lane core supports only Lane 0, the 2-lane core supports lanes 0-1, the 4-lane core supports lanes 0-3, and the 8-lane core supports lanes 0-7. Transmit and receive signals of the PCI_EXP interface are defined in [Table 2-6](#).

Table 2-6: PCI Express Interface Signals for 1-, 2-, 4- and 8-Lane Cores

Lane Number	Name	Direction	Description
1-Lane Cores			
0	<code>pci_exp_txp0</code>	Output	PCI Express Transmit Positive: Serial Differential Output 0 (+)
	<code>pci_exp_txn0</code>	Output	PCI Express Transmit Negative: Serial Differential Output 0 (-)
	<code>pci_exp_rxp0</code>	Input	PCI Express Receive Positive: Serial Differential Input 0 (+)
	<code>pci_exp_rxn0</code>	Input	PCI Express Receive Negative: Serial Differential Input 0 (-)
2-Lane Cores			
0	<code>pci_exp_txp0</code>	Output	PCI Express Transmit Positive: Serial Differential Output 0 (+)
	<code>pci_exp_txn0</code>	Output	PCI Express Transmit Negative: Serial Differential Output 0 (-)
	<code>pci_exp_rxp0</code>	Input	PCI Express Receive Positive: Serial Differential Input 0 (+)
	<code>pci_exp_rxn0</code>	Input	PCI Express Receive Negative: Serial Differential Input 0 (-)

Table 2-6: PCI Express Interface Signals for 1-, 2-, 4- and 8-Lane Cores (Cont'd)

Lane Number	Name	Direction	Description
1	pci_exp_txp1	Output	PCI Express Transmit Positive: Serial Differential Output 1 (+)
	pci_exp_txn1	Output	PCI Express Transmit Negative: Serial Differential Output 1 (-)
	pci_exp_rxp1	Input	PCI Express Receive Positive: Serial Differential Input 1 (+)
	pci_exp_rxn1	Input	PCI Express Receive Negative: Serial Differential Input 1 (-)
4-Lane Cores			
0	pci_exp_txp0	Output	PCI Express Transmit Positive: Serial Differential Output 0 (+)
	pci_exp_txn0	Output	PCI Express Transmit Negative: Serial Differential Output 0 (-)
	pci_exp_rxp0	Input	PCI Express Receive Positive: Serial Differential Input 0 (+)
	pci_exp_rxn0	Input	PCI Express Receive Negative: Serial Differential Input 0 (-)
1	pci_exp_txp1	Output	PCI Express Transmit Positive: Serial Differential Output 1 (+)
	pci_exp_txn1	Output	PCI Express Transmit Negative: Serial Differential Output 1 (-)
	pci_exp_rxp1	Input	PCI Express Receive Positive: Serial Differential Input 1 (+)
	pci_exp_rxn1	Input	PCI Express Receive Negative: Serial Differential Input 1 (-)
2	pci_exp_txp2	Output	PCI Express Transmit Positive: Serial Differential Output 2 (+)
	pci_exp_txn2	Output	PCI Express Transmit Negative: Serial Differential Output 2 (-)
	pci_exp_rxp2	Input	PCI Express Receive Positive: Serial Differential Input 2 (+)
	pci_exp_rxn2	Input	PCI Express Receive Negative: Serial Differential Input 2 (-)
3	pci_exp_txp3	Output	PCI Express Transmit Positive: Serial Differential Output 3 (+)
	pci_exp_txn3	Output	PCI Express Transmit Negative: Serial Differential Output 3 (-)
	pci_exp_rxp3	Input	PCI Express Receive Positive: Serial Differential Input 3 (+)
	pci_exp_rxn3	Input	PCI Express Receive Negative: Serial Differential Input 3 (-)
8-Lane Cores			
0	pci_exp_txp0	Output	PCI Express Transmit Positive: Serial Differential Output 0 (+)
	pci_exp_txn0	Output	PCI Express Transmit Negative: Serial Differential Output 0 (-)
	pci_exp_rxp0	Input	PCI Express Receive Positive: Serial Differential Input 0 (+)
	pci_exp_rxn0	Input	PCI Express Receive Negative: Serial Differential Input 0 (-)
1	pci_exp_txp1	Output	PCI Express Transmit Positive: Serial Differential Output 1 (+)
	pci_exp_txn1	Output	PCI Express Transmit Negative: Serial Differential Output 1 (-)
	pci_exp_rxp1	Input	PCI Express Receive Positive: Serial Differential Input 1 (+)
	pci_exp_rxn1	Input	PCI Express Receive Negative: Serial Differential Input 1 (-)
2	pci_exp_txp2	Output	PCI Express Transmit Positive: Serial Differential Output 2 (+)
	pci_exp_txn2	Output	PCI Express Transmit Negative: Serial Differential Output 2 (-)
	pci_exp_rxp2	Input	PCI Express Receive Positive: Serial Differential Input 2 (+)
	pci_exp_rxn2	Input	PCI Express Receive Negative: Serial Differential Input 2 (-)

Table 2-6: PCI Express Interface Signals for 1-, 2-, 4- and 8-Lane Cores (Cont'd)

Lane Number	Name	Direction	Description
3	pci_exp_txp3	Output	PCI Express Transmit Positive: Serial Differential Output 3 (+)
	pci_exp_txn3	Output	PCI Express Transmit Negative: Serial Differential Output 3 (-)
	pci_exp_rxp3	Input	PCI Express Receive Positive: Serial Differential Input 3 (+)
	pci_exp_rxn3	Input	PCI Express Receive Negative: Serial Differential Input 3 (-)
4	pci_exp_txp4	Output	PCI Express Transmit Positive: Serial Differential Output 4 (+)
	pci_exp_txn4	Output	PCI Express Transmit Negative: Serial Differential Output 4 (-)
	pci_exp_rxp4	Input	PCI Express Receive Positive: Serial Differential Input 4 (+)
	pci_exp_rxn4	Input	PCI Express Receive Negative: Serial Differential Input 4 (-)
5	pci_exp_txp5	Output	PCI Express Transmit Positive: Serial Differential Output 5 (+)
	pci_exp_txn5	Output	PCI Express Transmit Negative: Serial Differential Output 5 (-)
	pci_exp_rxp5	Input	PCI Express Receive Positive: Serial Differential Input 5 (+)
	pci_exp_rxn5	Input	PCI Express Receive Negative: Serial Differential Input 5 (-)
6	pci_exp_txp6	Output	PCI Express Transmit Positive: Serial Differential Output 6 (+)
	pci_exp_txn6	Output	PCI Express Transmit Negative: Serial Differential Output 6 (-)
	pci_exp_rxp6	Input	PCI Express Receive Positive: Serial Differential Input 6 (+)
	pci_exp_rxn6	Input	PCI Express Receive Negative: Serial Differential Input 6 (-)
7	pci_exp_txp7	Output	PCI Express Transmit Positive: Serial Differential Output 7 (+)
	pci_exp_txn7	Output	PCI Express Transmit Negative: Serial Differential Output 7 (-)
	pci_exp_rxp7	Input	PCI Express Receive Positive: Serial Differential Input 7 (+)
	pci_exp_rxn7	Input	PCI Express Receive Negative: Serial Differential Input 7 (-)

Transaction Interface

The Transaction interface provides a mechanism for the user design to generate and consume TLPs. The signal names and signal descriptions for this interface are shown in [Table 2-7](#), [Table 2-9](#), and [Table 2-10](#).

Common Interface

[Table 2-7](#) describes the common interface signals.

Table 2-7: Common Transaction Interface Signals

Name	Direction	Description
user_clk_out	Output	Transaction Clock: Transaction, Configuration, and Physical Layer Control and Status Interface operations are referenced to and synchronous with the rising edge of this clock. This signal is active after power-on, and <code>sys_rst_n</code> has no effect on it. This signal is guaranteed to be stable at the selected operating frequency only after <code>user_reset_out</code> is deasserted. The <code>user_clk_out</code> clock output is a fixed frequency configured in the CORE Generator tool. This signal does not change frequencies in case of link recovery or training down. See Table 2-8 for recommended and optional frequencies.
user_reset_out	Output	Transaction Reset: User logic interacting with the Transaction and Configuration interfaces must use <code>user_reset_out</code> to return to its quiescent state. This signal is deasserted synchronously with respect to <code>user_clk_out</code> , and is deasserted and asserted asynchronously with <code>sys_rst_n</code> assertion. This signal is asserted for core in-band reset events such as Hot Reset or Link Disable.
user_lnk_up	Output	Transaction Link Up: Transaction link-up is asserted when the core and the connected upstream link partner port are ready and able to exchange data packets. Transaction link-up is deasserted when the core and link partner are attempting to establish communication, or when communication with the link partner is lost due to errors on the transmission channel. This signal is also deasserted when the core is driven to Hot Reset or Link Disable state by the link partner, and all TLPs stored in the core are lost. This signal is not deasserted while in the Recovery state, but is deasserted if Recovery fails.
fc_ph[7:0]	Output	Posted Header Flow Control Credits: The number of Posted Header FC credits for the selected flow control type.
fc_pd[11:0]	Output	Posted Data Flow Control Credits: The number of Posted Data FC credits for the selected flow control type.
fc_nph[7:0]	Output	Non-Posted Header Flow Control Credits: The number of Non-Posted Header FC credits for the selected flow control type.
fc_npd[11:0]	Output	Non-Posted Data Flow Control Credits: The number of Non-Posted Data FC credits for the selected flow control type.
fc_cplh[7:0]	Output	Completion Header Flow Control Credits: The number of Completion Header FC credits for the selected flow control type.
fc_cpld[11:0]	Output	Completion Data Flow Control Credits: The number of Completion Data FC credits for the selected flow control type.
fc_sel[2:0]	Input	Flow Control Informational Select: Selects the type of flow control information presented on the <code>fc_*</code> signals. Possible values: <ul style="list-style-type: none"> • 000: Receive buffer available space • 001: Receive credits granted to the link partner • 010: Receive credits consumed • 100: Transmit user credits available • 101: Transmit credit limit • 110: Transmit credits consumed

Table 2-8: Recommended and Optional Transaction Clock (user_clk_out) Frequencies

Product	Link Speed (Gb/s)	Interface Width ⁽¹⁾ (Bits)	Recommended Frequency (MHz)	Optional Frequency (MHz)
1-lane	2.5	64	62.5	31.25, 125, 250
1-lane	5	64	62.5	125, 250
2-lane	2.5	64	62.5	125, 250
2-lane	5	64	125	250
4-lane	2.5	64	125	250
4-lane	5	64	250	-
4-lane	5	128	125	250
8-lane	2.5	64	250	-
8-lane	2.5	128	125	250
8-lane	5	128	250	-

Notes:

1. Interface Width is a static selection and does not change with dynamic Link Speed changes.

Transmit Interface

Table 2-9 defines the transmit (TX) interface signals. The bus s_axis_tx_tuser consists of unrelated signals. Both the mnemonics and TSUSER signals are used throughout this document. For example, the Transmit Source Discontinue signal is referenced as: (tsrc_dsc)s_axis_tx_tuser[3].

Table 2-9: Transmit Interface Signals

Name	Mnemonic	Direction	Description										
s_axis_tx_tlast		Input	Transmit End-of-Frame (EOF): Signals the end of a packet. Valid only along with assertion of s_axis_tx_tvalid.										
s_axis_tx_tdata[W-1:0]		Input	Transmit Data: Packet data to be transmitted. <table border="1" style="margin-left: 20px;"> <thead> <tr> <th>Product</th> <th>Data Bus Width (W)</th> </tr> </thead> <tbody> <tr> <td>1-lane (2.5 Gb/s and 5.0 Gb/s)</td> <td>64</td> </tr> <tr> <td>2-lane (2.5 Gb/s and 5.0 Gb/s)</td> <td>64</td> </tr> <tr> <td>4-lane (2.5 Gb/s and 5.0 Gb/s)</td> <td>64 or 128</td> </tr> <tr> <td>8-lane (2.5 Gb/s and 5.0 Gb/s)</td> <td>64 or 128</td> </tr> </tbody> </table>	Product	Data Bus Width (W)	1-lane (2.5 Gb/s and 5.0 Gb/s)	64	2-lane (2.5 Gb/s and 5.0 Gb/s)	64	4-lane (2.5 Gb/s and 5.0 Gb/s)	64 or 128	8-lane (2.5 Gb/s and 5.0 Gb/s)	64 or 128
Product	Data Bus Width (W)												
1-lane (2.5 Gb/s and 5.0 Gb/s)	64												
2-lane (2.5 Gb/s and 5.0 Gb/s)	64												
4-lane (2.5 Gb/s and 5.0 Gb/s)	64 or 128												
8-lane (2.5 Gb/s and 5.0 Gb/s)	64 or 128												

Table 2-9: Transmit Interface Signals (Cont'd)

Name	Mnemonic	Direction	Description
s_axis_tx_tkeep[7:0] (64-bit interface) s_axis_tx_tkeep[15:0] (128-bit interface)		Input	Transmit Data Strobe: Determines which data bytes are valid on s_axis_tx_tdata[W-1:0] during a given beat (s_axis_tx_tvalid and s_axis_tx_tready both asserted). Bit 0 corresponds to the least significant byte on s_axis_tx_tdata and bit 7 (64-bit) and bit 15(128-bit) correspond to the most significant byte, for example: <ul style="list-style-type: none"> • s_axis_tx_tkeep[0] == 1b, s_axis_tx_tdata[7:0] is valid • s_axis_tx_tkeep[7] == 0b, s_axis_tx_tdata[63:56] is not valid When s_axis_tx_tlast is not asserted, the only valid values are 0xFF (64-bit) or 0xFFFF (128-bit). When s_axis_tx_tlast is asserted, valid values are: <ul style="list-style-type: none"> • 64-bit: only 0x0F and 0xFF are valid • 128-bit: 0x000F, 0x00FF, 0x0FFF, and 0xFFFF are valid
s_axis_tx_tvalid		Input	Transmit Source Ready: Indicates that the User Application is presenting valid data on s_axis_tx_tdata.
s_axis_tx_tready		Output	Transmit Destination Ready: Indicates that the core is ready to accept data on s_axis_tx_tdata. The simultaneous assertion of s_axis_tx_tvalid and s_axis_tx_tready marks the successful transfer of one data beat on s_axis_tx_tdata.
s_axis_tx_tuser[3]	t_src_dsc	Input	Transmit Source Discontinue: Can be asserted any time starting on the first cycle after SOF. Assert s_axis_tx_tlast simultaneously with (tx_src_dsc)s_axis_tx_tuser[3].
tx_buf_av[5:0]		Output	Transmit Buffers Available: Indicates the number of free transmit buffers available in the core. Each free transmit buffer can accommodate one TLP up to the supported Maximum Payload Size (MPS). The maximum number of transmit buffers is determined by the supported MPS and block RAM configuration selected. (See Core Buffering and Flow Control , page 98.)
tx_err_drop		Output	Transmit Error Drop: Indicates that the core discarded a packet because of a length violation or, when streaming, data was not presented on consecutive clock cycles.
s_axis_tx_tuser[2]	tx_str	Input	Transmit Streamed: Indicates a packet is presented on consecutive clock cycles and transmission on the link can begin before the entire packet has been written to the core. Commonly referred as transmit cut-through mode.
tx_cfg_req		Output	Transmit Configuration Request: Asserted when the core is ready to transmit a Configuration Completion or other internally generated TLP.

Table 2-9: Transmit Interface Signals (Cont'd)

Name	Mnemonic	Direction	Description
tx_cfg_gnt		Input	<p>Transmit Configuration Grant: Asserted by the User Application in response to tx_cfg_req, to allow the core to transmit an internally generated TLP. The tx_cfg_req signal is always deasserted after the core-generated packet has been serviced before another request is made. Therefore, user designs can look for the rising edge of tx_cfg_req to determine when to assert tx_cfg_gnt. Holding tx_cfg_gnt deasserted after tx_cfg_req allows user-initiated TLPs to be given a higher priority of transmission over core-generated TLPs. Asserting tx_cfg_gnt for one clock cycle when tx_cfg_req is asserted causes the next packet output to be the core's internally generated packet. In cases where there is no buffer space to store the internal packet, tx_cfg_req remains asserted even after tx_cfg_gnt has been asserted. The user design does not need to assert tx_cfg_gnt again because the initial assertion has been captured.</p> <p>If the user does not wish to alter the prioritization of the transmission of internally generated TLPs, this signal can be continuously asserted.</p>
s_axis_tx_tuser[1]	tx_err_fwd	Input	<p>Transmit Error Forward: This input marks the current packet in progress as error-poisoned. It can be asserted any time between SOF and EOF, inclusive. The tx_err_fwd signal must not be asserted if (tx_str)s_axis_tx_tuser[2] is asserted.</p>
s_axis_tx_tuser[0]	tx_ecrc_gen	Input	<p>Transmit ECRC Generate: Causes the end-to-end cyclic redundancy check (ECRC) digest to be appended. This input must be asserted at the beginning of the TLP.</p>

Receive Interface

Table 2-10 defines the receive (RX) interface signals. The bus m_axis_tx_tuser consists of unrelated signals. Mnemonics for these signals are used throughout this document in place of the TUSER signal names.

Table 2-10: Receive Interface Signals

Name	Mnemonic	Direction	Description										
m_axis_rx_tlast		Output	Receive End-of-Frame (EOF): Signals the end of a packet. Valid only if m_axis_rx_tvalid is also asserted.										
m_axis_rx_tdata[W-1:0]		Output	<p>Receive Data: Packet data being received. Valid only if m_axis_rx_tvalid is also asserted.</p> <table border="1"> <thead> <tr> <th>Product</th> <th>Data Bus Width (W)</th> </tr> </thead> <tbody> <tr> <td>1-lane (2.5 Gb/s and 5.0 Gb/s)</td> <td>64</td> </tr> <tr> <td>2-lane (2.5 Gb/s and 5.0 Gb/s)</td> <td>64</td> </tr> <tr> <td>4-lane (2.5 Gb/s and 5.0 Gb/s)</td> <td>64 or 128</td> </tr> <tr> <td>8-lane (2.5 Gb/s and 5.0 Gb/s)</td> <td>64 or 128</td> </tr> </tbody> </table> <p><i>128-bit interface only:</i> Unlike the Transmit interface s_axis_tx_tdata[127:0], received TLPs can begin on either the upper QWORD m_axis_rx_tdata[127:64] or lower QWORD m_axis_rx_tdata[63:0] of the bus. See the description of is_sof and (rx_is_sof[4:0]) m_axis_rx_tuser[14:10] m_axis_rx_tuser[21:17] for further explanation.</p>	Product	Data Bus Width (W)	1-lane (2.5 Gb/s and 5.0 Gb/s)	64	2-lane (2.5 Gb/s and 5.0 Gb/s)	64	4-lane (2.5 Gb/s and 5.0 Gb/s)	64 or 128	8-lane (2.5 Gb/s and 5.0 Gb/s)	64 or 128
Product	Data Bus Width (W)												
1-lane (2.5 Gb/s and 5.0 Gb/s)	64												
2-lane (2.5 Gb/s and 5.0 Gb/s)	64												
4-lane (2.5 Gb/s and 5.0 Gb/s)	64 or 128												
8-lane (2.5 Gb/s and 5.0 Gb/s)	64 or 128												
m_axis_rx_tkeep[7:0] (64-bit interface only)		Output	<p>Receive Data Strobe: Determines which data bytes are valid on m_axis_rx_tdata[63:0] during a given beat (m_axis_rx_tvalid and m_axis_rx_tready both asserted).</p> <p>Bit 0 corresponds to the least significant byte on m_axis_rx_tdata and bit 7 correspond to the most significant byte, for example:</p> <ul style="list-style-type: none"> m_axis_rx_tkeep[0] == 1b, m_axis_rx_tdata[7:0] is valid m_axis_rx_tkeep[7] == 0b, m_axis_rx_tdata[63:56] is not valid <p>When m_axis_rx_tlast is not asserted, the only valid value is 0xFF.</p> <p>When m_axis_rx_tlast is asserted, valid values are:</p> <ul style="list-style-type: none"> 64-bit; only 0x0F and 0xFF are valid 										

Table 2-10: Receive Interface Signals (Cont'd)

Name	Mnemonic	Direction	Description
m_axis_rx_tuser[14:10] (128-bit interface only)	rx_is_sof[4:0]	Output	Indicates the start of a new packet header in m_axis_rx_tdata: Bit 4: Asserted when a new packet is present Bit 0-3: Indicates byte location of start of new packet, binary encoded Valid values: <ul style="list-style-type: none"> 5'b10000 = SOF at AXI byte 0 (DWORD 0) m_axis_rx_tdata[7:0] 5'b11000 = SOF at AXI byte 8 (DWORD 2) m_axis_rx_tdata[71:64] 5'b00000 = No SOF present
m_axis_rx_tuser[21:17] (128-bit interface only)	rx_is_eof[4:0]	Output	Indicates the end of a packet in m_axis_rx_tdata: Bit 4: Asserted when a packet is ending Bit 0-3: Indicates byte location of end of the packet, binary encoded Valid values: <ul style="list-style-type: none"> 5'b10011 = EOF at AXI byte 3 (DWORD 0) m_axis_rx_tdata[31:24] 5'b10111 = EOF at AXI byte 7 (DWORD 1) m_axis_rx_tdata[63:56] 5'b11011 = EOF at AXI byte 11 (DWORD 2) m_axis_rx_tdata[95:88] 5'b11111 = EOF at AXI byte 15 (DWORD 3) m_axis_rx_tdata[127:120] 5'b00011 = No EOF present
m_axis_rx_tuser[1]	rx_err_fwd	Output	Receive Error Forward: <i>64-bit interface:</i> When asserted, marks the packet in progress as error-poisoned. Asserted by the core for the entire length of the packet. <i>128-bit interface:</i> When asserted, marks the current packet in progress as error-poisoned. Asserted by the core for the entire length of the packet. If asserted during a straddled data transfer, applies to the packet that is beginning.
m_axis_rx_tuser[0]	rx_ecrc_err	Output	Receive ECRC Error: Indicates the current packet has an ECRC error. Asserted at the packet EOF.
m_axis_rx_tvalid		Output	Receive Source Ready: Indicates that the core is presenting valid data on m_axis_rx_tdata.
m_axis_rx_tready		Input	Receive Destination Ready: Indicates that the User Application is ready to accept data on m_axis_rx_tdata. The simultaneous assertion of m_axis_rx_tvalid and m_axis_rx_tready marks the successful transfer of one data beat on s_axis_tx_tdata.

Table 2-10: Receive Interface Signals (Cont'd)

Name	Mnemonic	Direction	Description
rx_np_ok		Input	Receive Non-Posted OK: The User Application asserts this signal when it is ready to accept Non-Posted Request TLPs. rx_np_ok must be deasserted when the User Application cannot process received Non-Posted TLPs, so that these can be buffered within the core's receive queue. In this case, Posted and Completion TLPs received after the Non-Posted TLPs bypass the blocked TLPs. When the User Application approaches a state where it is unable to service Non-Posted Requests, it must deassert rx_np_ok two clock cycle before the core asserts m_axis_rx_tlast of the next-to-last Non-Posted TLP the User Application can accept.
rx_np_req		Input	Receive Non-Posted Request: When asserted, requests one non-posted TLP from the core per user_clk cycle. If the User Application can process received Non-Posted TLPs at the line rate, this signal can be constantly asserted. If the User Application is not requesting Non-Posted packets, received Posted and Completion TLPs bypass waiting Non-Posted TLPs.
m_axis_rx_tuser[9:2]	rx_bar_hit[7:0]	Output	Receive BAR Hit: Indicates BAR(s) targeted by the current receive transaction. Asserted from the beginning of the packet to m_axis_rx_tlast. <ul style="list-style-type: none"> • (rx_bar_hit[0])m_axis_rx_tuser[2]: BAR0 • (rx_bar_hit[1])m_axis_rx_tuser[3]: BAR1 • (rx_bar_hit[2])m_axis_rx_tuser[4]: BAR2 • (rx_bar_hit[3])m_axis_rx_tuser[5]: BAR3 • (rx_bar_hit[4])m_axis_rx_tuser[6]: BAR4 • (rx_bar_hit[5])m_axis_rx_tuser[7]: BAR5 • (rx_bar_hit[6])m_axis_rx_tuser[8]: Expansion ROM Address If two BARs are configured into a single 64-bit address, both corresponding rx_bar_hit bits are asserted. m_axis_rx_tuser[8:4] are not applicable to Root Port configurations. m_axis_rx_tuser[9] is reserved for future use.
m_axis_rx_tuser[16:15]			Reserved

Physical Layer Interface

The Physical Layer (PL) interface enables the user design to inspect the status of the Link and Link Partner and control the Link State. Table 2-11 describes the signals for the PL interface.

Table 2-11: Physical Layer Interface Signals

Name	Direction	Description
pl_initial_link_width[2:0]	Output	Initial Negotiated Link Width: Indicates the link width after the PCI Express port has achieved the first successful link training. Initial Negotiated Link Width represents the widest link width possible during normal operation of the link, and can be equal to or smaller than the capability link width (smaller of the two) supported by link partners. This value is reset when the core is reset or the LTSSM goes through the Detect state. Otherwise the value remains the same. <ul style="list-style-type: none"> • 000: Link not trained • 001: 1-Lane link • 010: 2-Lane link • 011: 4-Lane link • 100: 8-Lane link
pl_phy_lnk_up	Output	Physical Layer Link Up Status: Indicates the physical layer link up status.
pl_lane_reversal_mode[1:0]	Output	Lane Reversal Mode: Indicates the current Lane Reversal mode. <ul style="list-style-type: none"> • 00: No reversal • 01: Lanes 1:0 reversed • 10: Lanes 3:0 reversed • 11: Lanes 7:0 reversed
pl_link_gen2_cap	Output	Link Gen2 Capable: Indicates that the PCI Express link is 5.0 Gb/s (Gen 2) speed capable (both the Link Partner and the Device are Gen 2 capable) <ul style="list-style-type: none"> • 0: Link is not Gen2 Capable • 1: Link is Gen2 Capable
pl_link_partner_gen2_supported	Output	Link Partner Gen2 Capable: Indicates if the PCI Express link partner advertises 5.0 Gb/s (Gen2) capability. Valid only when user_lnk_up is asserted. <ul style="list-style-type: none"> • 0: Link partner not Gen2 capable • 1: Link partner is Gen2 capable
pl_link_upcfg_cap	Output	Link Upconfigure Capable: Indicates the PCI Express link is Upconfigure capable. Valid only when user_lnk_up is asserted. <ul style="list-style-type: none"> • 0: Link is not Upconfigure capable • 1: Link is Upconfigure capable
pl_sel_lnk_rate	Output	Current Link Rate: Reports the current link speed. Valid only when user_lnk_up is asserted. <ul style="list-style-type: none"> 0: 2.5 Gb/s 1: 5.0 Gb/s

Table 2-11: Physical Layer Interface Signals (Cont'd)

Name	Direction	Description
pl_sel_lnk_width[1:0]	Output	Current Link Width: Reports the current link width. Valid only when <code>user_lnk_up</code> is asserted. 00: 1-Lane link 01: 2-Lane link 10: 4-Lane link 11: 8-Lane link
pl_ltssm_state[5:0]	Output	LTSSM State: Shows the current LTSSM state (hex). 0, 1: Detect Quiet 2, 3: Detect Active 4: Polling Active 5: Polling Configuration 6: Polling Compliance, Pre_Send_EIOS 7: Polling Compliance, Pre_Timeout 8: Polling Compliance, Send_Pattern 9: Polling Compliance, Post_Send_EIOS A: Polling Compliance, Post_Timeout B: Configuration Linkwidth, State 0 C: Configuration Linkwidth, State 1 D: Configuration Linkwidth, Accept 0 E: Configuration Linkwidth, Accept 1 F: Configuration Lanenum Wait 10: Configuration Lanenum, Accept 11: Configuration Complete x1 12: Configuration Complete x2 13: Configuration Complete x4 14: Configuration Complete x8 15: Configuration Idle 16: L0 17: L1 Entry0 18: L1 Entry1 19: L1 Entry2 (also used for the L2/L3 Ready pseudo state) 1A: L1 Idle 1B: L1 Exit 1C: Recovery Rcvrlock 1D: Recovery Rcvrcfg

Table 2-11: Physical Layer Interface Signals (Cont'd)

Name	Direction	Description
pl_ltssm_state[5:0] (Cont'd)	Output	1E: Recovery Speed_0 1F: Recovery Speed_1 20: Recovery Idle 21: Hot Reset 22: Disabled Entry 0 23: Disabled Entry 1 24: Disabled Entry 2 25: Disabled Idle 26: Root Port, Configuration, Linkwidth State 0 27: Root Port, Configuration, Linkwidth State 1 28: Root Port, Configuration, Linkwidth State 2 29: Root Port, Configuration, Link Width Accept 0 2A: Root Port, Configuration, Link Width Accept 1 2B: Root Port, Configuration, Lanenum_Wait 2C: Root Port, Configuration, Lanenum_Accept 2D: Timeout To Detect 2E: Loopback Entry0 2F: Loopback Entry1 30: Loopback Active0 31: Loopback Exit0 32: Loopback Exit1 33: Loopback Master Entry0
pl_rx_pm_state[1:0]	Output	RX Power Management State: Indicates the RX Power Management State: 00: RX Not in L0s 01: RX L0s Entry 10: RX L0s Idle 11: RX L0s FTS
pl_tx_pm_state[2:0]	Output	TX Power Management State: Indicates the TX Power Management State: 000: TX not in L0s 001: TX L0s Entry0 010: TX L0s Entry1 011: TX L0s Entry2 100: TX L0s Idle 101: TX L0s FTS0 110: TX L0s FTS1 111: TX L0s FTS2

Table 2-11: Physical Layer Interface Signals (Cont'd)

Name	Direction	Description
pl_directed_link_auton	Input	Directed Autonomous Link Change: Specifies the reason for directed link width and speed change. This must be used in conjunction with pl_directed_link_change[1:0], pl_directed_link_speed, and pl_directed_link_width[1:0] inputs. <ul style="list-style-type: none"> • 0: Link reliability driven • 1: Application requirement driven (autonomous)
pl_directed_link_change[1:0]	Input	Directed Link Change Control: Directs the PCI Express Port to initiate a link width and/or speed change. Link change operation must be initiated when user_lnk_up is asserted. For a Root Port, pl_directed_link_change must not be set to 10 or 11 unless the attribute RP_AUTO_SPD = 11. <ul style="list-style-type: none"> • 00: No change • 01: Link width • 10: Link speed • 11: Link width and speed (level-triggered)
pl_directed_link_speed	Input	Directed Target Link Speed: Specifies the target link speed for a directed link change operation, in conjunction with the pl_directed_link_change[1:0] input. The target link speed must not be set High unless the pl_link_gen2_capable output is High. <ul style="list-style-type: none"> • 0: 2.5 Gb/s • 1: 5.0 Gb/s
pl_directed_link_width[1:0]	Input	Directed Target Link Width: Specifies the target link width for a directed link change operation, in conjunction with pl_directed_link_change[1:0] input. Encoding Target Link Width: <ul style="list-style-type: none"> • 00: 1-Lane link • 01: 2-Lane link • 10: 4-Lane link • 11: 8-Lane link

Table 2-11: Physical Layer Interface Signals (Cont'd)

Name	Direction	Description
pl_directed_change_done	Output	Directed Link Change Done: Indicates to the user that the directed link speed change or directed link width change is done.
pl_upstream_prefer_deemph	Input	Endpoint Preferred Transmitter De-emphasis: Enables the Endpoint to control de-emphasis used on the link at 5.0 Gb/s speeds. pl_upstream_prefer_deemph can be changed in conjunction with pl_directed_link_speed and pl_directed_link_change[1:0] inputs when transitioning from 2.5 Gb/s to 5.0 Gb/s data rates. Value presented on pl_upstream_prefer_deemph depends upon the property of PCI Express physical interconnect channel in use. <ul style="list-style-type: none"> 0: -6 dB de-emphasis recommended for short, reflection dominated channels. 1: -3.5 dB de-emphasis recommended for long, loss dominated channels.

Table 2-12: Role-Specific Physical Layer Interface Signals: Endpoint

Name	Direction	Description
pl_received_hot_rst	Output	Hot Reset Received: Indicates that an in-band hot reset command has been received.

Table 2-13: Role-Specific Physical Layer Interface Signals: Root Port

Name	Direction	Description
pl_transmit_hot_rst	Input	Transmit Hot Reset: Active-High. Directs the PCI Express Port to transmit an In-Band Hot Reset.
pl_downstream_deemph_source	Input	Root Port Preferred Transmitter De-emphasis: Enables the Root Port to control de-emphasis used on the link at 5.0 Gb/s speeds. <ul style="list-style-type: none"> 0: Use Upstream link partner preferred de-emphasis. 1: Use Selectable de-emphasis value from Link Control 2 register.

Configuration Interface

The Configuration (CFG) interface enables the user design to inspect the state of the Endpoint for PCIe configuration space. The user provides a 10-bit configuration address, which selects one of the 1024 configuration space doubleword (DWORD) registers. The Endpoint returns the state of the selected register over the 32-bit data output port.

Table 2-14 defines the Configuration interface signals. See [Design with Configuration Space Registers and Configuration Interface, page 110](#) for usage.

Table 2-14: Configuration Interface Signals

Name	Direction	Description
cfg_mgmt_do[31:0]	Output	Configuration Data Out: A 32-bit data output port used to obtain read data from the configuration space inside the core.
cfg_mgmt_rd_wr_done	Output	Configuration Read Write Done: Read-write done signal indicates a successful completion of the user configuration register access operation. <ul style="list-style-type: none"> For a user configuration register read operation, this signal validates the <code>cfg_mgmt_do[31:0]</code> data-bus value. For a user configuration register write operation, the assertion indicates completion of a successful write operation.
cfg_mgmt_di[31:0]	Input	Configuration Data In: A 32-bit data input port used to provide write data to the configuration space inside the core.
cfg_mgmt_dwaddr[9:0]	Input	Configuration DWORD Address: A 10-bit address input port used to provide a configuration register DWORD address during configuration register accesses.
cfg_mgmt_byte_en[3:0]	Input	Configuration Byte Enable: Byte enables for configuration register write access.
cfg_mgmt_wr_en	Input	Configuration Write Enable: Write enable for configuration register access.
cfg_mgmt_rd_en	Input	Configuration Read Enable: Read enable for configuration register access.
cfg_mgmt_wr_readonly	Input	Management Write Readonly Bits: Write enable to treat any ReadOnly bit in the current Management Write as a RW bit, not including bits set by attributes, reserved bits, and status bits.
cfg_status[15:0]	Output	Configuration Status: Status register from the Configuration Space Header. Not supported.
cfg_command[15:0]	Output	Configuration Command: Command register from the Configuration Space Header.
cfg_dstatus[15:0]	Output	Configuration Device Status: Device status register from the PCI Express Capability Structure.
cfg_dcommand[15:0]	Output	Configuration Device Command: Device control register from the PCI Express Capability Structure.
cfg_dcommand2[15:0]	Output	Configuration Device Command 2: Device control 2 register from the PCI Express Capability Structure.
cfg_lstatus[15:0]	Output	Configuration Link Status: Link status register from the PCI Express Capability Structure.
cfg_lcommand[15:0]	Output	Configuration Link Command: Link control register from the PCI Express Capability Structure.

Table 2-14: Configuration Interface Signals (Cont'd)

Name	Direction	Description
cfg_aer_ecrc_gen_en	Output	Configuration AER - ECRC Generation Enable: AER Capability and Control Register bit 6. When asserted, indicates that ECRC Generation has been enabled by the host.
cfg_aer_ecrc_check_en	Output	Configuration AER - ECRC Check Enable: AER Capability and Control Register bit 8. When asserted, indicates that ECRC Checking has been enabled by the host.
cfg_pcie_link_state[2:0]	Output	PCI Express Link State: This encoded bus reports the PCI Express Link State information to the user. <ul style="list-style-type: none"> • 000: "L0" • 001: "PPM L1" • 010: "PPM L2/L3 Ready" • 011: "PM_PME" • 100: "in or transitioning to/from ASPM L0s" • 101: "transitioning to/from PPM L1" • 110: "transition to PPM L2/L3 Ready" • 111: Reserved
cfg_trn_pending	Input	User Transaction Pending: If asserted, sets the Transactions Pending bit in the Device Status Register. Note: You must assert this input if the User Application has not received a completion to an upstream request.
cfg_dsn[63:0]	Input	Configuration Device Serial Number: Serial Number Register fields of the Device Serial Number extended capability.
cfg_pmcsr_pme_en	Output	PMCSR PME Enable: PME_En bit (bit 8) in the Power Management Control/Status Register.
cfg_pmcsr_pme_status	Output	PMCSR PME_Status: PME_Status bit (bit 15) in the Power Management Control/Status Register.
cfg_pmcsr_powerstate[1:0]	Output	PMCSR PowerState: PowerState bits (bits 1:0) in the Power Management Control/Status Register.
cfg_pm_halt_aspm_l0s	Input	Halt ASPM L0s: When asserted, it prevents the core from going into ASPM L0s. If the core is already in L0s, it causes the core to return to L0. cfg_pm_force_state, however, takes precedence over this input.
cfg_pm_halt_aspm_l1	Input	Halt ASPM L1: When asserted, it prevents the core from going into ASPM L1 ⁽¹⁾ . If the core is already in L1, it causes the core to return to L0. cfg_pm_force_state, however, takes precedence over this input.
cfg_pm_force_state[1:0]	Input	Force PM State: Forces the Power Management State machine to attempt to stay in or move to the desired state. <ul style="list-style-type: none"> • 00: Move to or stay in L0 • 01: Move to or stay in PPM L1 • 10: Move to or stay in ASPM L0s • 11: Move to or stay in ASPM L1⁽¹⁾

Table 2-14: Configuration Interface Signals (Cont'd)

Name	Direction	Description
cfg_pm_force_state_en	Input	Force PM State Transition Enable: Enables the transition to/stay in the desired Power Management state, as indicated by <code>cfg_pm_force_state</code> . If attempting to move to a desired state, <code>cfg_pm_force_state_en</code> must be held asserted until <code>cfg_pcie_link_state</code> indicates a move to the desired state.
cfg_received_func_lvl_rst	Output	Received Function Level Reset: Indicates when the Function Level Reset has been received (FLR Configuration Register has been set). Note: This feature is not supported in this core. <code>DEV_CAP_FUNCTION_LEVEL_RESET_CAPABLE</code> is always set to <code>FALSE</code> , and this port is unused.
cfg_vc_tvc_map[6:0]	Output	Configuration VC Resource Control TC/VC Map: Indicates whether TCs 1 through 7 are valid for VC0.
cfg_msg_received	Output	Message Received: Active-High. Notifies the user that a Message TLP was received on the Link.
cfg_msg_data[15:0]	Output	Message Requester ID: The Requester ID of the Message was received. Valid only along with assertion of <code>cfg_msg_received</code> .

Notes:

1. ASPM L1 is unsupported in the 7 series FPGAs Integrated Block for PCI Express.

Table 2-15: Role-Specific Configuration Interface Signals: Endpoint

Name	Direction	Description
cfg_bus_number[7:0]	Output	Configuration Bus Number: Provides the assigned bus number for the device. The User Application must use this information in the Bus Number field of outgoing TLP requests. Default value after reset is <code>00h</code> . Refreshed whenever a Type 0 Configuration Write packet is received.
cfg_device_number[4:0]	Output	Configuration Device Number: Provides the assigned device number for the device. The User Application must use this information in the Device Number field of outgoing TLP requests. Default value after reset is <code>00000b</code> . Refreshed whenever a Type 0 Configuration Write packet is received.
cfg_function_number[2:0]	Output	Configuration Function Number: Provides the function number for the device. The User Application must use this information in the Function Number field of outgoing TLP request. Function number is hardwired to <code>000b</code> .

Table 2-15: Role-Specific Configuration Interface Signals: Endpoint (Cont'd)

Name	Direction	Description
cfg_to_turnoff	Output	Configuration To Turnoff: Output that notifies the user that a PME_TURN_Off message has been received and the CMM starts polling the <code>cfg_turnoff_ok</code> input coming in from the user. After <code>cfg_turnoff_ok</code> is asserted, CMM sends a PME_To_Ack message to the upstream device.
cfg_turnoff_ok	Input	Configuration Turnoff OK: The User Application can assert this to notify the Endpoint that it is safe to turn off power.
cfg_pm_wake	Input	Configuration Power Management Wake: A one-clock cycle assertion informs the core to generate and send a Power Management Wake Event (PM_PME) Message TLP to the upstream link partner. Note: The user is required to assert this input only under stable link conditions as reported on the <code>cfg_pcie_link_state[2:0]</code> bus. Assertion of this signal when the PCI Express link is in transition results in incorrect behavior on the PCI Express link.
cfg_msg_received_pm_as_nak	Output	Received Power Management Active State NAK Message: Indicates that a PM_AS_NAK Message was received on the link.
cfg_msg_received_setslotpowerlimit	Output	Received Set Slot Power Limit: Indicates that a Set Slot Power Limit Message was received on the link. The data of the Set Slot Power Limit Message is delivered on the <code>cfg_msg_data</code> output.

Table 2-16: Role-Specific Configuration Interface Signals: Root Port

Name	Direction	Description
cfg_ds_bus_number[7:0]	Input	Configuration Downstream Bus Number: Provides the bus number (Requester ID) of the Downstream Port. This is used in TLPs generated inside the core and does not affect the TLPs presented on the AXI4-Stream interface.
cfg_ds_device_number[4:0]	Input	Configuration Downstream Device Number: Provides the device number (Requester ID) of the Downstream Port. This is used in TLPs generated inside the core and does not affect the TLPs presented on the Transaction interface.
cfg_ds_function_number[2:0]	Input	Configuration Downstream Function Number: Provides the function number (Requester ID) of the Downstream Port. This is used in TLPs generated inside the core and does not affect the TLPs presented on the Transaction interface.

Table 2-16: Role-Specific Configuration Interface Signals: Root Port (Cont'd)

Name	Direction	Description
cfg_wr_rw1c_as_rw	Input	Configuration Write RW1C Bit as RW: Indicates that the current write operation should treat any RW1C bit as a RW bit. Normally, a RW1C bit is cleared by writing a 1 to it, and can normally only be set by internal core conditions. However, during a configuration register access operation with this signal asserted, for every bit on <code>cfg_di</code> that is 1, the corresponding RW1C configuration register bit is set to 1. A value of 0 on <code>cfg_di</code> during this operation has no effect, and non-RW1C bits are unaffected regardless of the value on <code>cfg_di</code> .
cfg_msg_received_err_cor	Output	Received ERR_COR Message: Active-High. Indicates that the core received an ERR_COR Message. Valid only along with assertion of <code>cfg_msg_received</code> . The Requester ID of this Message Transaction is provided on <code>cfg_msg_data[15:0]</code> .
cfg_msg_received_err_non_fatal	Output	Received ERR_NONFATAL Message: Active-High. Indicates that the core received an ERR_NONFATAL Message. Valid only along with assertion of <code>cfg_msg_received</code> . The Requester ID of this Message Transaction is provided on <code>cfg_msg_data[15:0]</code> .
cfg_msg_received_err_fatal	Output	Received ERR_FATAL Message: Active-High. Indicates that the core received an ERR_FATAL Message. Valid only along with assertion of <code>cfg_msg_received</code> . The Requester ID of this Message Transaction is provided on <code>cfg_msg_data[15:0]</code> .
cfg_pm_send_pme_to	Input	Configuration Send Turn-off: Asserting this active-Low input causes the Root Port to send Turn Off Message. When the link partner responds with a Turn Off Ack, this is reported on <code>cfg_msg_received_pme_to_ack</code> , and the final transition to L3 Ready is reported on <code>cfg_pcie_link_state</code> . Tie-off to 1 for Endpoint.
cfg_msg_received_err_pme_to_ack	Output	Received PME_TO_Ack Message: Active-High. Indicates that the core received an PME_TO_Ack Message. Valid only along with assertion of <code>cfg_msg_received</code> . The Requester ID of this Message Transaction is provided on <code>cfg_msg_data[15:0]</code> .
cfg_msg_received_assert_inta	Output	Received Assert_INTA Message: Active-High. Indicates that the core received an Assert_INTA Message. Valid only along with assertion of <code>cfg_msg_received</code> . The Requester ID of this Message Transaction is provided on <code>cfg_msg_data[15:0]</code> .
cfg_msg_received_assert_intb	Output	Received Assert_INTB Message: Active-High. Indicates that the core received an Assert_INTB Message. Valid only along with assertion of <code>cfg_msg_received</code> . The Requester ID of this Message Transaction is provided on <code>cfg_msg_data[15:0]</code> .

Table 2-16: Role-Specific Configuration Interface Signals: Root Port (Cont'd)

Name	Direction	Description
cfg_msg_received_assert_intc	Output	Received Assert_INTC Message: Active-High. Indicates that the core received an Assert_INTC Message. Valid only along with assertion of <code>cfg_msg_received</code> . The Requester ID of this Message Transaction is provided on <code>cfg_msg_data[15:0]</code> .
cfg_msg_received_assert_intd	Output	Received Assert_INTD Message: Active-High. Indicates that the core received an Assert_INTD Message. Valid only along with assertion of <code>cfg_msg_received</code> . The Requester ID of this Message Transaction is provided on <code>cfg_msg_data[15:0]</code> .
cfg_msg_received_deassert_inta	Output	Received Deassert_INTA Message: Active-High. Indicates that the core received a Deassert_INTA Message. Valid only along with assertion of <code>cfg_msg_received</code> . The Requester ID of this Message Transaction is provided on <code>cfg_msg_data[15:0]</code> .
cfg_msg_received_deassert_intb	Output	Received Deassert_INTB Message: Active-High. Indicates that the core received a Deassert_INTB Message. Valid only along with assertion of <code>cfg_msg_received</code> . The Requester ID of this Message Transaction is provided on <code>cfg_msg_data[15:0]</code> .
cfg_msg_received_deassert_intc	Output	Received Deassert_INTC Message: Active-High. Indicates that the core received a Deassert_INTC Message. Valid only along with assertion of <code>cfg_msg_received</code> . The Requester ID of this Message Transaction is provided on <code>cfg_msg_data[15:0]</code> .
cfg_msg_received_deassert_intd	Output	Received Deassert_INTD Message: Active-High. Indicates that the core received a Deassert_INTD Message. Valid only along with assertion of <code>cfg_msg_received</code> . The Requester ID of this Message Transaction is provided on <code>cfg_msg_data[15:0]</code> .
cfg_msg_received_pm_pme	Output	Received PME Message: Indicates that a Power Management Event Message was received on the link.

Interrupt Interface Signals

Table 2-17 defines the Interrupt interface signals.

Table 2-17: Configuration Interface Signals: Interrupt Interface - Endpoint Only

Name	Direction	Description
cfg_interrupt	Input	Configuration Interrupt: Interrupt-request signal. The User Application can assert this input to cause the selected interrupt message type to be transmitted by the core. The signal should be held Low until <code>cfg_interrupt_rdy</code> is asserted.
cfg_interrupt_rdy	Output	Configuration Interrupt Ready: Interrupt grant signal. The simultaneous assertion of <code>cfg_interrupt_rdy</code> and <code>cfg_interrupt</code> indicates that the core has successfully transmitted the requested interrupt message.
cfg_interrupt_assert	Input	Configuration Legacy Interrupt Assert/Deassert Select: Selects between Assert and Deassert messages for Legacy interrupts when <code>cfg_interrupt</code> is asserted. Not used for MSI interrupts. Value Message Type 0 Assert 1 Deassert
cfg_interrupt_di[7:0]	Input	Configuration Interrupt Data In: For MSIs, the portion of the Message Data that the Endpoint must drive to indicate the MSI vector number, if Multi-Vector Interrupts are enabled. The value indicated by <code>cfg_interrupt_mmenable[2:0]</code> determines the number of lower-order bits of Message Data that the Endpoint provides; the remaining upper bits of <code>cfg_interrupt_di[7:0]</code> are not used. For Single-Vector Interrupts, <code>cfg_interrupt_di[7:0]</code> is not used. For Legacy Interrupt messages (Assert_INTx, Deassert_INTx), only INTA (00h) is supported.
cfg_interrupt_do[7:0]	Output	Configuration Interrupt Data Out: The value of the lowest eight bits of the Message Data field in the MSI capability structure of the Endpoint. This value is provided for informational purposes and backwards compatibility.
cfg_interrupt_mmenable[2:0]	Output	Configuration Interrupt Multiple Message Enable: This is the value of the Multiple Message Enable field and defines the number of vectors the system allows for multi-vector MSI. Values range from 000b to 101b. A value of 000b indicates that single-vector MSI is enabled, while other values indicate the number of lower-order bits that can be overridden by <code>cfg_interrupt_di[7:0]</code> . <ul style="list-style-type: none"> • 000: 0 bits • 001: 1 bit • 010: 2 bits • 011: 3 bits • 100: 4 bits • 101: 5 bits

Table 2-17: Configuration Interface Signals: Interrupt Interface - Endpoint Only (Cont'd)

Name	Direction	Description
cfg_interrupt_msienable	Output	Configuration Interrupt MSI Enabled: Indicates that MSI messaging is enabled. <ul style="list-style-type: none"> • 0: Only Legacy (INTX) interrupts or MSI-X Interrupts can be sent. • 1: Only MSI Interrupts should be sent.
cfg_interrupt_msixenable	Output	Configuration Interrupt MSI-X Enabled: Indicates that the MSI-X messaging is enabled. <ul style="list-style-type: none"> • 0: Only Legacy (INTX) interrupts or MSI Interrupts can be sent. • 1: Only MSI-X Interrupts should be sent.
cfg_interrupt_msixfm	Output	Configuration Interrupt MSI-X Function Mask: Indicates the state of the Function Mask bit in the MSI-X Message Control field. If 0, the Mask bit of each vector determines its masking. If 1, all vectors are masked, regardless of their per-vector Mask bit states.
cfg_pciecap_interrupt_msgnum[4:0]	Input	Configuration PCIe Capabilities - Interrupt Message Number: This input sets the Interrupt Message Number field in the PCI Express Capability register. This input value must be adjusted by the user if only MSI is enabled and the host adjusts the Multiple Message Enable field such that it invalidates the current value.
cfg_interrupt_stat	Input	Configuration Interrupt Status: Causes the Interrupt Status bit to be set or cleared when the automatic setting of the Interrupt Status bit based on the Interrupt Interface inputs is disabled.

Error Reporting Signals

Table 2-18 defines the User Application error-reporting signals.

Table 2-18: User Application Error-Reporting Signals

Port Name	Direction	Description
cfg_err_ecrc	Input	ECRC Error Report: The user can assert this signal to report an ECRC error (end-to-end CRC).
cfg_err_ur	Input	Configuration Error Unsupported Request: The user can assert this signal to report that an unsupported request was received. This signal is ignored if cfg_err_cpl_rdy is deasserted.
cfg_err_cpl_timeout ⁽¹⁾	Input	Configuration Error Completion Timeout: The user can assert this signal to report a completion timed out.
cfg_err_cpl_unexpect	Input	Configuration Error Completion Unexpected: The user can assert this signal to report that an unexpected completion was received.

Table 2-18: User Application Error-Reporting Signals (Cont'd)

Port Name	Direction	Description
cfg_err_cpl_abort	Input	Configuration Error Completion Aborted: The user can assert this signal to report that a completion was aborted. This signal is ignored if cfg_err_cpl_rdy is deasserted.
cfg_err_posted	Input	Configuration Error Posted: This signal is used to further qualify any of the cfg_err_* input signals. When this input is asserted concurrently with one of the other signals, it indicates that the transaction that caused the error was a posted transaction.
cfg_err_cor ⁽¹⁾	Input	Configuration Error Correctable Error: The user can assert this signal to report that a correctable error was detected.
cfg_err_atomic_egress_blocked	Input	Configuration Error AtomicOp Egress Blocked: The user asserts this signal to report that an Atomic TLP was blocked.
cfg_err_internal_cor	Input	Configuration Error Corrected Internal: The user asserts this signal to report that an Internal error occurred and was corrected. This input is only sampled if AER is enabled.
cfg_err_internal_uncor	Input	Configuration Error Uncorrectable Internal: The user asserts this signal to report that an Uncorrectable Internal error occurred. This input is only sampled if AER is enabled.
cfg_err_malformed	Input	Configuration Error Malformed Error: The user asserts this signal to report a Malformed Error.
cfg_err_mc_blocked	Input	Configuration Error MultiCast Blocked: The user asserts this signal to report that a Multicast TLP was blocked.
cfg_err_poisoned	Input	Configuration Error Poisoned TLP: The user can assert this signal to report that a Poisoned TLP was received. Normally, only used if attribute DISABLE_RX_POISONED_RESP=TRUE.
cfg_err_no_recovery	Input	Configuration Error Cannot Recover: Used to further qualify the cfg_err_poisoned and cfg_err_cpl_timeout input signals. When this input is asserted concurrently with one of these signals, it indicates that the transaction that caused these errors cannot be recovered from. For a Completion Timeout, it means the user elects not to attempt the Request again. For a received Poisoned TLP, it means that the user cannot continue operation. In either case, assertion causes the corresponding error to not be regarded as ANFE.

Table 2-18: User Application Error-Reporting Signals (Cont'd)

Port Name	Direction	Description
cfg_err_tlp_cpl_header[47:0]	Input	<p>Configuration Error TLP Completion Header: Accepts the header information from the user when an error is signaled. This information is required so that the core can issue a correct completion, if required.</p> <p>This information should be extracted from the received error TLP and presented in the given format:</p> <p>[47:41] Lower Address [40:29] Byte Count [28:26] TC [25:24] Attr [23:8] Requester ID [7:0] Tag</p>
cfg_err_cpl_rdy	Output	<p>Configuration Error Completion Ready: When asserted, this signal indicates that the core can accept assertions on <code>cfg_err_ur</code> and <code>cfg_err_cpl_abort</code> for Non-Posted Transactions. Assertions on <code>cfg_err_ur</code> and <code>cfg_err_cpl_abort</code> are ignored when <code>cfg_err_cpl_rdy</code> is deasserted.</p>
cfg_err_locked	Input	<p>Configuration Error Locked: This signal is used to further qualify any of the <code>cfg_err_*</code> input signals. When this input is asserted concurrently with one of the other signals, it indicates that the transaction that caused the error was a locked transaction.</p> <p>This signal is for use in Legacy mode. If the user needs to signal an unsupported request or an aborted completion for a locked transaction, this signal can be used to return a Completion Locked with UR or CA status.</p> <p>Note: When not in Legacy mode, the core automatically returns a Completion Locked, if appropriate.</p>
cfg_err_aer_headerlog[127:0]	Input	<p>Configuration Error AER Header Log: AER Header log for the signalled error.</p>
cfg_err_aer_headerlog_set	Output	<p>Configuration Error AER Header Log Set: When asserted, indicates that Error AER Header Log is Set in the case of a Single Header implementation/Full in the case of a Multi-Header implementation and the header for user-reported error is not needed.</p>
cfg_aer_interrupt_msgnum[4:0]	Input	<p>Configuration AER Interrupt Message Number: This input sets the AER Interrupt Message (Root Port only) Number field in the AER Capability - Root Error Status register.</p> <p>If AER is enabled, this input must be driven to a value appropriate for MSI or MSix mode, whichever is enabled. This input value must be adjusted by the user if only MSI is enabled and the host adjusts the Multiple Message Enable field such that it invalidates the current value.</p>

Table 2-18: User Application Error-Reporting Signals (Cont'd)

Port Name	Direction	Description
cfg_err_acs	Input	Configuration Error ACS Violation: The user can assert this signal to report that an ACS Violation has occurred.

Notes:

1. The user should assert these signals only if the device power state is D0. Asserting these signals in non-D0 device power states might result in an incorrect operation on the PCIe link. For additional information, see the *PCI Express Base Specification, rev. 2.1, Section 5.3.1.2 [Ref 2]*.

Table 2-19 defines the Error and Advanced Error Reporting Status of the 7 Series FPGAs Integrated Block for PCI Express when configured as a Root Port.

Table 2-19: Error-Reporting Interface - Root Port Only

Name	Direction	Description
cfg_bridge_serr_en	Output	Configuration Bridge Control – SERR Enable: When asserted, this enables the forwarding of Correctable, Non-Fatal, and Fatal errors, as set in the Bridge Control register bit 1. The user must enforce forwarding of these errors.
cfg_slot_control_electromech_il_ctl_pulse	Output	Electromechanical Interlock Control: Indicates that the Electromechanical Interlock Control bit of the Slot Control Configuration register was written with a '1'.
cfg_root_control_syserr_corr_err_en	Output	System Error on Correctable Error Enable: Indicates the status of the System Error on Correctable Error Enable bit in the Root Control Configuration register. This enables the user logic to generate a System Error for reported Correctable Errors.
cfg_root_control_syserr_non_fatal_err_en	Output	System Error on Non-Fatal Error Enable: Indicates the status of the System Error on Non-Fatal Error Enable bit in the Root Control Configuration register. This enables the user logic to generate a System Error for reported Non-Fatal Errors.
cfg_root_control_syserr_fatal_err_en	Output	System Error on Fatal Error Enable: Indicates the status of the System Error on Fatal Error Enable bit in the Root Control Configuration register. This enables the user logic to generate a System Error for reported Fatal Errors.

Table 2-19: Error-Reporting Interface - Root Port Only (Cont'd)

Name	Direction	Description
cfg_root_control_pme_int_en	Output	PME Interrupt Enable: Indicates the status of the PME Interrupt Enable bit in the Root Control Configuration register. This enables the user logic to generate an Interrupt for received PME messages.
cfg_aer_rooterr_corr_err_reporting_en	Output	AER Correctable Error Reporting Enable: Indicates status of the AER Correctable Error Reporting Enable bit in the AER Root Error Command configuration register. This bit enables the user logic to generate Interrupts for reported Correctable Errors.
cfg_aer_rooterr_non_fatal_err_reporting_en	Output	AER Non-Fatal Error Reporting Enable: Indicates status of the AER Non-Fatal Error Reporting Enable bit in the AER Root Error Command configuration register. This bit enables the user logic to generate Interrupts for reported Non-Fatal Errors.
cfg_aer_rooterr_fatal_err_reporting_en	Output	AER Fatal Error Reporting Enable: Indicates status of the AER Fatal Error Reporting Enable bit in the AER Root Error Command configuration register. This bit enables the user logic to generate Interrupts for reported Fatal Errors.
cfg_aer_rooterr_corr_err_received	Output	AER Correctable Error Message Received: Indicates status of the AER Correctable Error Message Received bit in the AER Root Error Status configuration register. This bit indicates that a Correctable Error message was received.
cfg_aer_rooterr_non_fatal_err_received	Output	AER Non-Fatal Error Message Received: Indicates status of the AER Non-Fatal Error Message Received bit in the AER Root Error Status configuration register. This bit indicates that a Non-Fatal Error message was received.
cfg_aer_rooterr_fatal_err_received	Output	AER Fatal Error Message Received: Indicates status of the AER Fatal Error Message Received bit in the AER Root Error Status configuration register. This bit indicates that a Fatal Error message was received.

Dynamic Reconfiguration Port Interface

The Dynamic Reconfiguration Port (DRP) interface allows for the dynamic change of FPGA configuration memory bits of the 7 Series FPGAs Integrated Block for PCI Express core. These configuration bits are represented as attributes for the `PCIE_2_1` library primitive, which is instantiated as part of this core. Table 2-20 defines the DRP interface signals. For detailed usage information, see [Using the Dynamic Reconfiguration Port Interface](#), page 149.

Table 2-20: Dynamic Reconfiguration Port Interface Signals

Name	Direction	Description
<code>pcie_drp_clk</code>	Input	PCI Express DRP Clock: The rising edge of this signal is the timing reference for all the other DRP signals. Normally, <code>drp_clk</code> is driven with a global clock buffer. The maximum frequency is defined in the appropriate <i>7 Series FPGAs Data Sheet</i> .
<code>pcie_drp_en</code>	Input	PCI Express DRP Data Enable: When asserted, this signal enables a read or write operation. If <code>drp_dwe</code> is deasserted, it is a read operation, otherwise a write operation. For any given <code>drp_clk</code> cycle, all other input signals are not affected if <code>drp_den</code> is not active.
<code>pcie_drp_we</code>	Input	PCI Express DRP Write Enable: When asserted, this signal enables a write operation to the port (see <code>drp_den</code>).
<code>pcie_drp_addr[8:0]</code>	Input	PCI Express DRP Address Bus: The value on this bus specifies the individual cell that is written or read. The address is presented in the cycle that <code>drp_den</code> is active.
<code>pcie_drp_di[15:0]</code>	Input	PCI Express DRP Data Input: The value on this bus is the data written to the addressed cell. The data is presented in the cycle that <code>drp_den</code> and <code>drp_dwe</code> are active, and is captured in a register at the end of that cycle, but the actual write occurs at an unspecified time before <code>drp_drdy</code> is returned.
<code>pcie_drp_rdy</code>	Output	PCI Express DRP Ready: This signal is a response to <code>drp_den</code> to indicate that the DRP cycle is complete and another DRP cycle can be initiated. In the case of a DRP read, the <code>drp_do</code> bus must be captured on the rising edge of <code>drp_clk</code> in the cycle that <code>drp_drdy</code> is active. The earliest that <code>drp_den</code> can go active to start the next port cycle is the same clock cycle that <code>drp_drdy</code> is active.
<code>pcie_drp_do[15:0]</code>	Output	PCI Express DRP Data Out: If <code>drp_dwe</code> was inactive when <code>drp_den</code> was activated, the value on this bus when <code>drp_drdy</code> goes active is the data read from the addressed cell. At all other times, the value on <code>drp_do[15:0]</code> is undefined.

Clocking Interface for Partial Reconfiguration

The clocking interface provided to the user supports Partial Reconfiguration by use of clocking external to the PCI Express design. [Table 2-21](#) defines the clocking interface signals

Table 2-21: Clocking Interface Signals

Name	Direction	Description
PIPE_PCLK_IN	Input	Parallel clock used to synchronize data transfers across the parallel interface of the GTX transceiver.
PIPE_RXUSRCLK_IN	Input	Provides a clock for the internal RX PCS datapath.
PIPE_RXOUTCLK_IN	Input	Recommended clock output to the FPGA logic.
PIPE_DCLK_IN	Input	Dynamic reconfiguration clock.
PIPE_USERCLK1_IN	Input	Optional user clock.
PIPE_USERCLK2_IN	Input	Optional user clock.
PIPE_MMCM_LOCK_IN	Input	Indicates if the MMCM is locked onto the source CLK.
PIPE_TXOUTCLK_OUT	Output	Recommended clock output to the FPGA logic.
PIPE_RXOUTCLK_OUT	Output	Recommended clock output to the FPGA logic.
PIPE_PCLK_SEL_OUT	Output	Parallel clock select.
PIPE_GEN3_OUT	Output	Indicates the PCI Express operating speed.

The Clocking architecture is described in detail in the Use Model chapter of the *7 Series FPGAs GTX/GTH Transceivers User Guide (UG476)* [[Ref 10](#)].

PCI Configuration Space

The PCI configuration space consists of three primary parts, illustrated in [Table 2-22](#). These include:

- Legacy PCI v3.0 Type 0/1 Configuration Space Header
 - Type 0 Configuration Space Header used by Endpoint applications (see [Table 2-23](#))
 - Type 1 Configuration Space Header used by Root Port applications (see [Table 2-24](#))
- Legacy Extended Capability Items
 - PCIe Capability Item
 - Power Management Capability Item
 - Message Signaled Interrupt (MSI) Capability Item
 - MSI-X Capability Item (optional)

- PCIe Extended Capabilities
 - Device Serial Number Extended Capability Structure (optional)
 - Virtual Channel Extended Capability Structure (optional)
 - Vendor Specific Extended Capability Structure (optional)
 - Advanced Error Reporting Extended Capability Structure (optional)
 - Resizable BAR Extended Capability Structure (optional)

The core implements up to four legacy extended capability items. The remaining legacy extended capability space from address 0xA8 to 0xFF is reserved or user-definable (Endpoint configuration only). Also, the locations for any optional capability structure that is not implemented are reserved. If you do not use this space, the core returns 0x00000000 when this address range is read. If you implement registers within user-definable locations in the range 0xA8 to 0xFF, this space must be implemented in the User Application. You are also responsible for returning 0x00000000 for any address within this range that is not implemented in the User Application.

For more information about enabling this feature, see [Chapter 4, Customizing and Generating the Core](#) (Vivado Design Suite) or [Chapter 10, Customizing and Generating the Core](#) (ISE Design Suite). For more information about designing with this feature, see [Design with Configuration Space Registers and Configuration Interface, page 110](#).



IMPORTANT: *The core optionally implements up to three PCI Express Extended Capabilities. The remaining PCI Express Extended Capability Space is available for you to implement.*

The starting address of the space available to you depends on which, if any, of the five optional PCIe Extended Capabilities are implemented. If you implement registers in this space, you can select the starting location of this space, and this space must be implemented in the User Application. For more information about enabling this feature, see [Extended Capabilities, page 237](#) (Vivado Design Suite) or [PCI Express Extended Capabilities, page 328](#) (ISE Design Suite). For more information about designing with this feature, see [Design with Configuration Space Registers and Configuration Interface in Chapter 3](#).

Table 2-22: Common PCI Configuration Space Header

	31	16	15	0					
	Device ID		Vendor ID		000h				
	Status		Command		004h				
	Class Code			Rev ID	008h				
	BIST	Header	Lat Timer	Cache Ln	00Ch				
	Header Type Specific (see Table 2-23 and Table 2-24)				010h				
									014h
									018h
									01Ch
									020h
									024h
									028h
									02Ch
									030h
									034h
					038h				
			Intr Pin	Intr Line	03Ch				
	PM Capability		NxtCap	PM Cap	040h				
	Data	BSE	PMCSR		044h				
Customizable ⁽¹⁾	MSI Control		NxtCap	MSI Cap	048h				
	Message Address (Lower)				04Ch				
	Message Address (Upper)				050h				
	Reserved		Message Data		054h				
	Mask Bits				058h				
	Pending Bits				05Ch				
	PE Capability		NxtCap	PE Cap	060h				
	PCI Express Device Capabilities				064h				
Device Status		Device Control		068h					
PCI Express Link Capabilities				06Ch					
Link Status		Link Control		070h					
Root Port Only ⁽²⁾	Slot Capabilities				074h				
	Slot Status		Slot Control		078h				
	Root Capabilities		Root Control		07Ch				
	Root Status				080h				
PCI Express Device Capabilities 2				084h					
Device Status 2		Device Control 2		088h					
PCI Express Link Capabilities 2				08Ch					

Table 2-22: Common PCI Configuration Space Header (Cont'd)

	31	16	15	0	
	Link Status 2		Link Control 2		090h
	Unimplemented Configuration Space (Returns 0x00000000)				094h-098h
Optional	MSIx Control		NxtCap	MSIx Cap	09Ch
	Table Offset			Table BIR	0A0h
	PBA Offset			PBA BIR	0A4h
	Reserved Legacy Configuration Space (Returns 0x00000000)				0A8h-0Fh
Optional ⁽³⁾	Next Cap	Cap. Ver.	PCI Express Extended Capability - DSN		100h
	PCI Express Device Serial Number (1st)				104h
	PCI Express Device Serial Number (2nd)				108h
Optional ⁽³⁾	Next Cap	Cap. Ver.	PCI Express Extended Capability - VC		10Ch
	Port VC Capability Register 1				110h
	Port VC Capability Register 2				114h
	Port VC Status		Port VC Control		118h
	VC Resource Capability Register 0				11Ch
	VC Resource Control Register 0				120h
	VC Resource Status Register 0				124h
Optional ⁽³⁾	Next Cap	Cap. Ver.	PCI Express Extended Capability - VSEC		128h
	Vendor Specific Header				12Ch
	Vendor Specific - Loopback Command				130h
	Vendor Specific - Loopback Status				134h
	Vendor Specific - Error Count #1				138h
	Vendor Specific - Error Count #2				13Ch

Table 2-22: Common PCI Configuration Space Header (Cont'd)

	31	16	15	0	
Optional ⁽³⁾	Next Cap	Cap. Ver.	PCI Express Extended Cap. ID (AER)		140h
	Uncorrectable Error Status Register				144h
	Uncorrectable Error Mask Register				148h
	Uncorrectable Error Severity Register				14Ch
	Correctable Error Status Register				150h
	Correctable Error Mask Register				154h
	Advanced Error Cap. & Control Register				158h
	Header Log Register 1				15Ch
	Header Log Register 2				160h
	Header Log Register 3				164h
	Header Log Register 4				168h
	Optional, Root Port only ⁽³⁾	Root Error Command Register			
Root Error Status Register				170h	
Error Source ID Register				174h	
Optional ⁽³⁾	Next Cap	Cap. Ver.	PCI Express Extended Cap. ID (RBAR)		178h
	Resizable BAR Capability Register(0)				17Ch
	Reserved		Resizable BAR Control(0)		180h
	Resizable BAR Capability Register(1)				184h
	Reserved		Resizable BAR Control(1)		188h
	Resizable BAR Capability Register(2)				18Ch
	Reserved		Resizable BAR Control(2)		190h
	Resizable BAR Capability Register(3)				194h
	Reserved		Resizable BAR Control(3)		198h
	Resizable BAR Capability Register(4)				19Ch
	Reserved		Resizable BAR Control(4)		1A0h
	Resizable BAR Capability Register(5)				1A4h
	Reserved		Resizable BAR Control(5)		1A8h
	Reserved Extended Configuration Space (Returns Completion with 0x00000000)				1ACh- FFFh

Notes:

1. The MSI Capability Structure varies dependent on the selections in the CORE Generator tool GUI.
2. Reserved for Endpoint configurations (returns 0x00000000).
3. The layout of the PCI Express Extended Configuration Space (100h-FFFh) can change dependent on which optional capabilities are enabled. This table represents the Extended Configuration space layout when all five optional extended capability structures are enabled. For more information, see [Optional PCI Express Extended Capabilities, page 118](#).

Table 2-23: Type 0 PCI Configuration Space Header

31	16	15	0	
Device ID		Vendor ID		00h
Status		Command		04h
Class Code			Rev ID	08h
BIST	Header	Lat Timer	Cache Ln	0Ch
Base Address Register 0				10h
Base Address Register 1				14h
Base Address Register 2				18h
Base Address Register 3				1Ch
Base Address Register 4				20h
Base Address Register 5				24h
Cardbus CIS Pointer				28h
Subsystem ID		Subsystem Vendor ID		2Ch
Expansion ROM Base Address				30h
Reserved			CapPtr	34h
Reserved				38h
Max Lat	Min Gnt	Intr Pin	Intr Line	3Ch

Table 2-24: Type 1 PCI Configuration Space Header

31	16	15	0	
Device ID		Vendor ID		00h
Status		Command		04h
Class Code			Rev ID	08h
BIST	Header	Lat Timer	Cache Ln	0Ch
Base Address Register 0				10h
Base Address Register 1				14h
Second Lat Timer	Sub Bus Number	Second Bus Number	Primary Bus Number	18h
Secondary Status		I/O Limit	I/O Base	1Ch
Memory Limit		Memory Base		20h
Prefetchable Memory Limit		Prefetchable Memory Base		24h
Prefetchable Base Upper 32 Bits				28h
Prefetchable Limit Upper 32 Bits				2Ch
I/O Limit Upper 16 Bits		I/O Base Upper 16 Bits		30h
Reserved			CapPtr	34h
Expansion ROM Base Address				38h
Bridge Control		Intr Pin	Intr Line	3Ch

Designing with the Core

This chapter includes guidelines and additional information to make designing with the core easier. It provides design instructions for the Xilinx® 7 Series FPGAs Integrated Block for PCI Express® user interface and assumes knowledge of the PCI Express Transaction Layer Packet (TLP) header fields. Header fields are defined in *PCI Express Base Specification v2.1* [Ref 2], in the “Transaction Layer Specification” chapter.

This chapter contains these sections:

- [General Design Guidelines](#)
- [Tandem Configuration](#)
- [Clocking](#)
- [Resets](#)
- [Protocol Layers](#)
- [FPGA Configuration](#)

General Design Guidelines

This section provides design guidelines on these topics:

- [Designing with the Transaction Layer Interface](#)
- [Designing with the Physical Layer Control and Status Interface](#)
- [Design with Configuration Space Registers and Configuration Interface](#)
- [Error Detection](#)
- [Power Management](#)
- [Generating Interrupt Requests](#)
- [Link Training: 2-Lane, 4-Lane, and 8-Lane Components](#)
- [Lane Reversal](#)
- [Using the Dynamic Reconfiguration Port Interface](#)
- [Tandem Configuration](#)

Designing with the Transaction Layer Interface

This section provides guidelines for designing with the 64-bit and 128-bit transaction layer interface.

Designing with the 64-Bit Transaction Layer Interface

TLP Format on the AXI4-Stream Interface

Data is transmitted and received in Big-Endian order as required by the *PCI Express Base Specification* [Ref 2]. See the “Transaction Layer Specification” chapter of the *PCI Express Base Specification* for detailed information about TLP packet ordering. Figure 3-1 represents a typical 32-bit addressable Memory Write Request TLP (as illustrated in the “Transaction Layer Specification” chapter of the specification).

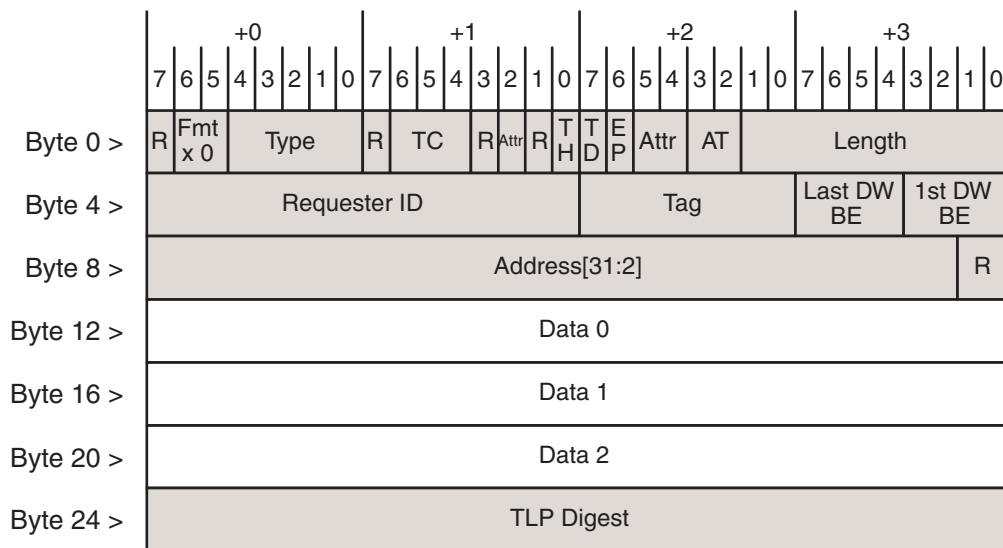


Figure 3-1: PCI Express Base Specification Byte Order

When using the AXI4-Stream interface, packets are arranged on the entire 64-bit datapath. Figure 3-2 shows the same example packet on the AXI4-Stream interface. Byte 0 of the packet appears on `s_axis_tx_tdata[31:24]` (transmit) or `m_axis_rx_tdata[31:24]` (receive) of the first QWORD, byte 1 on `s_axis_tx_tdata[23:16]` or `m_axis_rx_tdata[23:16]`, and so forth. Byte 8 of the packet then appears on `s_axis_tx_tdata[31:24]` or `m_axis_rx_tdata[31:24]` of the second QWORD. The Header section of the packet consists of either three or four DWORDs, determined by the TLP format and type as described in section 2.2 of the *PCI Express Base Specification*.

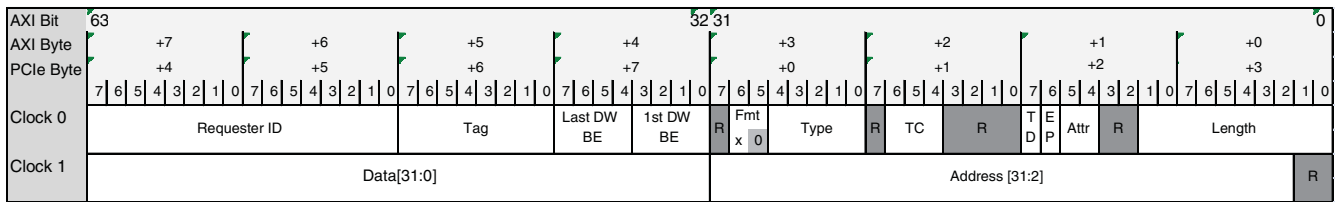


Figure 3-2: Endpoint Integrated Block Byte Order



IMPORTANT: Packets sent to the core for transmission must follow the formatting rules for Transaction Layer Packets (TLPs) as specified in the “Transaction Layer Specification” chapter of the PCI Express Base Specification.

The User Application is responsible for ensuring its packets’ validity. The core does not check that a packet is correctly formed and this can result in transferring a malformed TLP. The exact fields of a given TLP vary depending on the type of packet being transmitted.

Transmitting Outbound Packets

Basic TLP Transmit Operation

The 7 Series FPGAs Integrated Block for PCI Express core automatically transmits these types of packets:

- Completions to a remote device in response to Configuration Space requests.
- Error-message responses to inbound requests that are malformed or unrecognized by the core.

Note: Certain unrecognized requests, for example, unexpected completions, can only be detected by the User Application, which is responsible for generating the appropriate response.

The User Application is responsible for constructing these types of outbound packets:

- Memory, Atomic Ops, and I/O Requests to remote devices.
- Completions in response to requests to the User Application, for example, a Memory Read Request.
- Completions in response to user-implemented Configuration Space requests, when enabled. These requests include PCI™ legacy capability registers beyond address BFh and PCI Express extended capability registers beyond address 1FFh.

Note: For information about accessing user-implemented Configuration Space while in a low-power state, see [Power Management, page 140](#).

When configured as an Endpoint, the 7 Series FPGAs Integrated Block for PCI Express core notifies the User Application of pending internally generated TLPs that arbitrate for the transmit datapath by asserting `tx_cfg_req` (1b). The User Application can choose to give priority to core-generated TLPs by asserting `tx_cfg_gnt` (1b) permanently, without

regard to `tx_cfg_req`. Doing so prevents User-Application-generated TLPs from being transmitted when a core-generated TLP is pending. Alternatively, the User Application can reserve priority for a User-Application-generated TLP over core-generated TLPs, by deasserting `tx_cfg_gnt` (0b) until the user transaction is complete. When the user transaction is complete, the User Application can assert `tx_cfg_gnt` (1b) for at least one clock cycle to allow the pending core-generated TLP to be transmitted. Users must not delay asserting `tx_cfg_gnt` indefinitely, because this might cause a completion timeout in the Requester. See the *PCI Express Base Specification [Ref 2]* for more information on the Completion Timeout Mechanism.

The integrated block does not do any filtering on the Base/Limit registers (Root Port only). The user is responsible for determining if filtering is required. These registers can be read out of the Type 1 Configuration Header space via the Configuration interface (see [Design with Configuration Space Registers and Configuration Interface, page 110](#)).

[Table 2-9, page 20](#) defines the transmit User Application signals. To transmit a TLP, the User Application must perform this sequence of events on the transmit Transaction interface:

1. The User Application logic asserts `s_axis_tx_tvalid` and presents the first TLP QWORD on `s_axis_tx_tdata[63:0]`. If the core is asserting `s_axis_tx_tready`, the QWORD is accepted immediately; otherwise, the User Application must keep the QWORD presented until the core asserts `s_axis_tx_tready`.
2. The User Application asserts `s_axis_tx_tvalid` and presents the remainder of the TLP QWORDS on `s_axis_tx_tdata[63:0]` for subsequent clock cycles (for which the core asserts `s_axis_tx_tready`).
3. The User Application asserts `s_axis_tx_tvalid` and `s_axis_tx_tlast` together with the last QWORD data. If all eight data bytes of the last transfer are valid, they are presented on `s_axis_tx_tdata[63:0]` and `s_axis_tx_tkeep` is driven to `0xFF`; otherwise, the four remaining data bytes are presented on `s_axis_tx_tdata[31:0]`, and `s_axis_tx_tkeep` is driven to `0x0F`.
4. At the next clock cycle, the User Application deasserts `s_axis_tx_tvalid` to signal the end of valid transfers on `s_axis_tx_tdata[63:0]`.

[Figure 3-3](#) illustrates a 3-DW TLP header without a data payload; an example is a 32-bit addressable Memory Read request. When the User Application asserts `s_axis_tx_tlast`, it also places a value of `0x0F` on `s_axis_tx_tkeep`, notifying the core that only `s_axis_tx_tdata[31:0]` contains valid data.

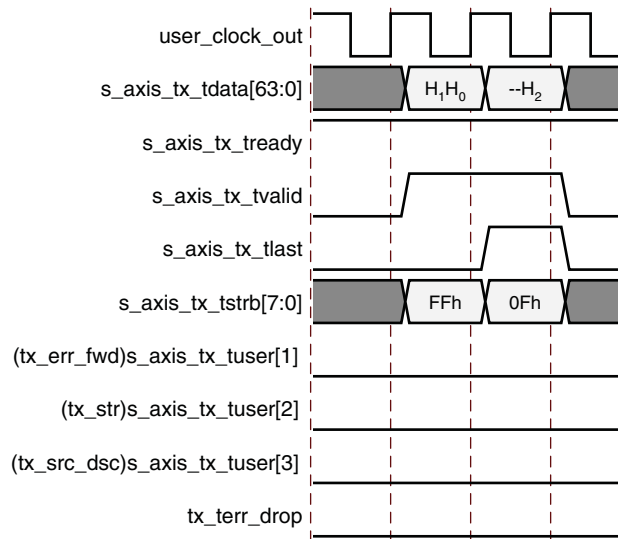


Figure 3-3: TLP 3-DW Header without Payload

Figure 3-4 illustrates a 4-DW TLP header without a data payload; an example is a 64-bit addressable Memory Read request. When the User Application asserts `s_axis_tx_tlast`, it also places a value of `0xFF` on `s_axis_tx_tkeep`, notifying the core that `s_axis_tx_tdata[63:0]` contains valid data.

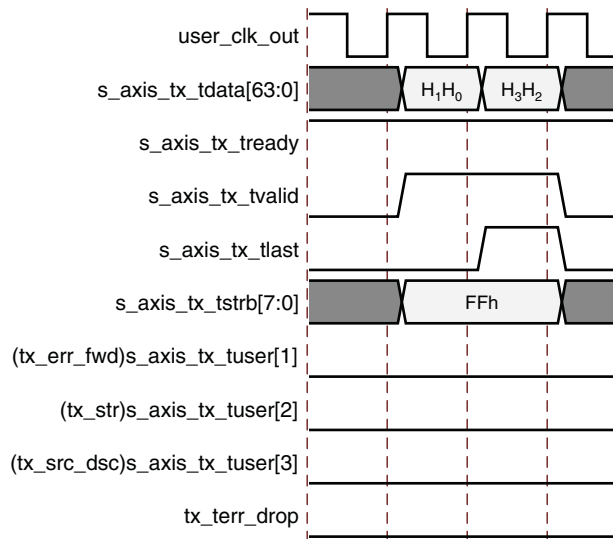


Figure 3-4: TLP with 4-DW Header without Payload

Figure 3-5 illustrates a 3-DW TLP header with a data payload; an example is a 32-bit addressable Memory Write request. When the User Application asserts `s_axis_tx_tlast`, it also puts a value of `0xFF` on `s_axis_tx_tkeep`, notifying the core that `s_axis_tx_tdata[63:0]` contains valid data.

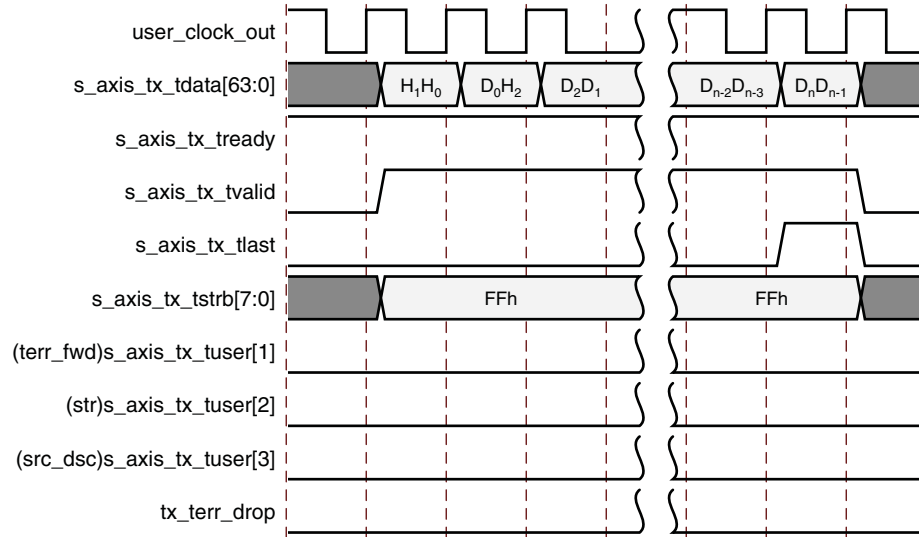


Figure 3-5: TLP with 3-DW Header with Payload

Figure 3-6 illustrates a 4-DW TLP header with a data payload; an example is a 64-bit addressable Memory Write request. When the User Application asserts `s_axis_tx_tlast`, it also places a value of `0x0F` on `s_axis_tx_tkeep`, notifying the core that only `s_axis_tx_tdata[31:0]` contains valid data.

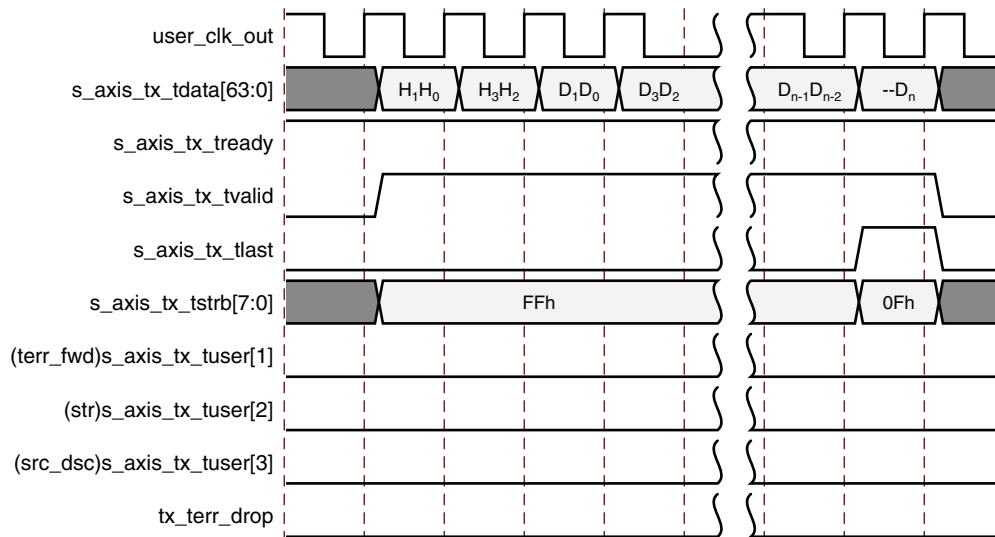


Figure 3-6: TLP with 4-DW Header with Payload

Presenting Back-to-Back Transactions on the Transmit Interface

The User Application can present back-to-back TLPs on the transmit AXI4-Stream interface to maximize bandwidth utilization. Figure 3-7 illustrates back-to-back TLPs presented on the transmit interface. The User Application keeps `s_axis_tx_tvalid` asserted and presents a new TLP on the next clock cycle after asserting `s_axis_tx_tlast` for the previous TLP.

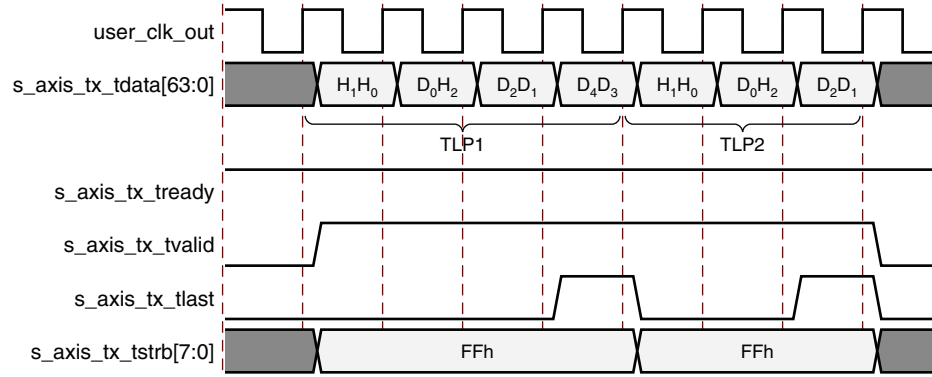


Figure 3-7: Back-to-Back Transaction on the Transmit Interface

Source Throttling on the Transmit Datapath

The Transaction interface lets the User Application throttle back if it has no data to present on `s_axis_tx_tdata[63:0]`. When this condition occurs, the User Application deasserts `s_axis_tx_tvalid`, which instructs the core AXI4-Stream interface to disregard data presented on `s_axis_tx_tdata[63:0]`. Figure 3-8 illustrates the source throttling mechanism, where the User Application does not have data to present every clock cycle, and for this reason must deassert `s_axis_tx_tvalid` during these cycles.

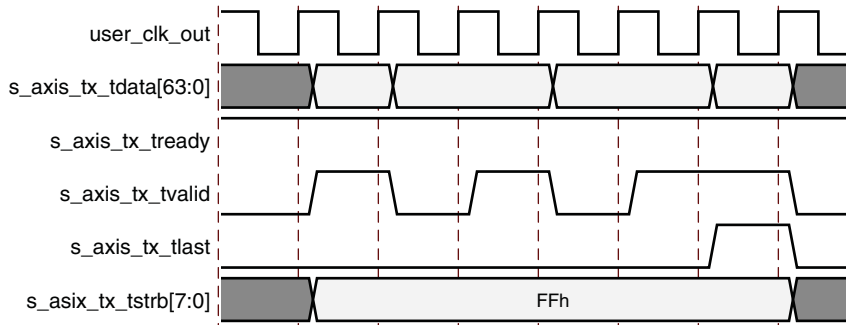


Figure 3-8: Source Throttling on the Transmit Interface

Destination Throttling of the Transmit Datapath

The core AXI4-Stream interface throttles the transmit User Application if there is no space left for a new TLP in its transmit buffer pool. This can occur if the link partner is not processing incoming packets at a rate equal to or greater than the rate at which the User Application is presenting TLPs. Figure 3-9 illustrates the deassertion of `s_axis_tx_tready` to throttle the User Application when the internal transmit buffers of the core are full. If the core needs to throttle the User Application, it does so after the current packet has completed. If another packet starts immediately after the current packet, the throttle occurs immediately after `tlast`.

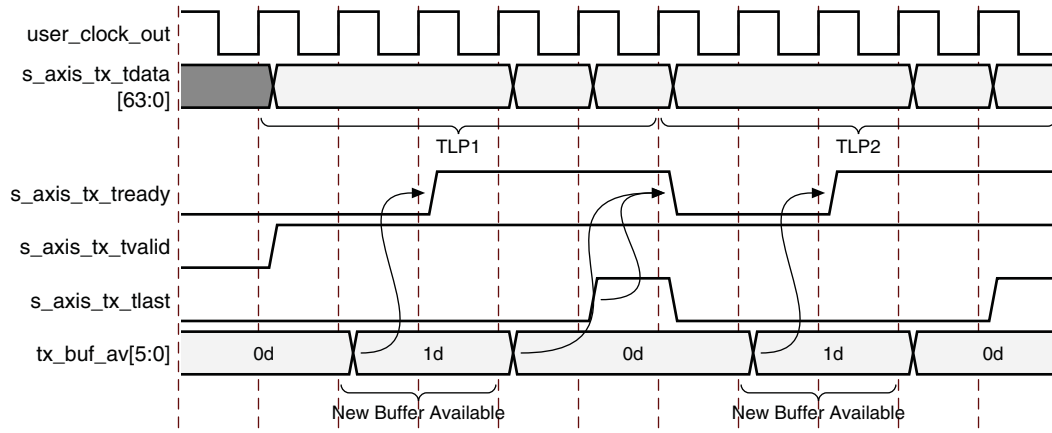


Figure 3-9: Destination Throttling on the Transmit Interface

If the core transmit AXI4-Stream interface accepts the start of a TLP by asserting `s_axis_tx_tready`, it is guaranteed to accept the complete TLP with a size up to the value contained in the `Max_Payload_Size` field of the PCI Express Device Capability Register (offset 04H). To stay compliant to the *PCI Express Base Specification* [Ref 2], users should not violate the `Max_Payload_Size` field of the PCI Express Device Control Register (offset 08H). The core transmit AXI4-Stream interface deasserts `s_axis_tx_tready` only under these conditions:

- The core does not have enough buffering if the packets are not drained due to lack of credits made available from the link partner.
- When the core is transmitting an internally generated TLP (Completion TLP because of a Configuration Read or Write, error Message TLP or error response as requested by the User Application on the `cfg_err` interface), after it has been granted use of the transmit datapath by the User Application, by assertion of `tx_cfg_gnt`. The core subsequently asserts `s_axis_tx_tready` after transmitting the internally generated TLP.
- When the Power State field in Power Management Control/Status Register (offset 0x4) of the PCI Power Management Capability Structure is changed to a non-D0 state. When this occurs, any ongoing TLP is accepted completely and `s_axis_tx_tready` is subsequently deasserted, disallowing the User Application from initiating any new transactions for the duration that the core is in the non-D0 power state

On deassertion of `s_axis_tx_tready` by the core, the User Application needs to hold all control and data signals until the core asserts `s_axis_tx_tready`.

Discontinuing Transmission of Transaction by Source

The core AXI4-Stream interface lets the User Application terminate transmission of a TLP by asserting (`tx_src_dsc`) `s_axis_tx_tuser[3]`. Both `s_axis_tx_tvalid` and `s_axis_tx_tready` must be asserted together with `tx_src_dsc` for the TLP to be discontinued. The signal `tx_src_dsc` must not be asserted at the beginning of a new packet. It can be asserted on any cycle after the first beat of a new packet has been

accepted by the core up to and including the assertion of `s_axis_tx_tlast`. Asserting `src_dsc` has no effect if no TLP transaction is in progress on the transmit interface.

Figure 3-10 illustrates the User Application discontinuing a packet using `tx_src_dsc`. Asserting `src_dsc` with `s_axis_tx_tlast` is optional.

If streaming mode is not used, (`tx_str`) `s_axis_tx_tuser[2] = 0b`, and the packet is discontinued, then the packet is discarded before being transmitted on the serial link. If streaming mode is used (`tx_str = 1b`), the packet is terminated with the EDB symbol on the serial link.

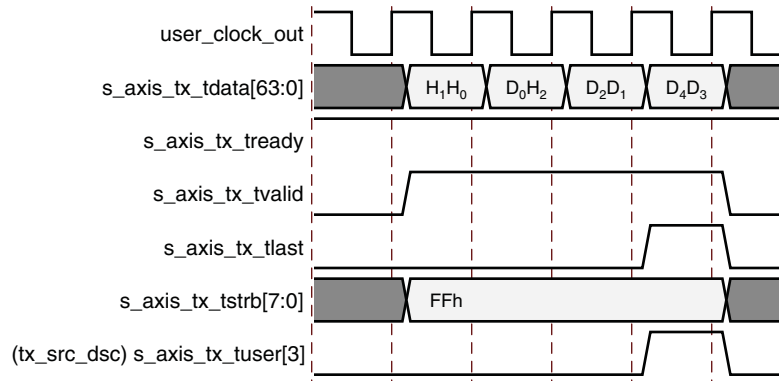


Figure 3-10: Source Driven Transaction Discontinue on the Transmit Interface

Discarding of Transaction by Destination

The core transmit AXI4-Stream interface discards a TLP for three reasons:

- PCI Express Link goes down.
- Presented TLP violates the `Max_Payload_Size` field of the PCI Express Device Capability Register (offset `04H`). It is your responsibility to not violate the `Max_Payload_Size` field of the Device Control Register (offset `08H`).
- (`tx_str`) `s_axis_tx_tuser[2]` is asserted and data is not presented on consecutive clock cycles, that is, `s_axis_tx_tvalid` is deasserted in the middle of a TLP transfer.

When any of these occur, the transmit AXI4-Stream interface continues to accept the remainder of the presented TLP and asserts `tx_err_drop` no later than the second clock cycle following the `s_axis_tx_tlast` of the discarded TLP. Figure 3-11 illustrates the core signaling that a packet was discarded using `tx_err_drop`.

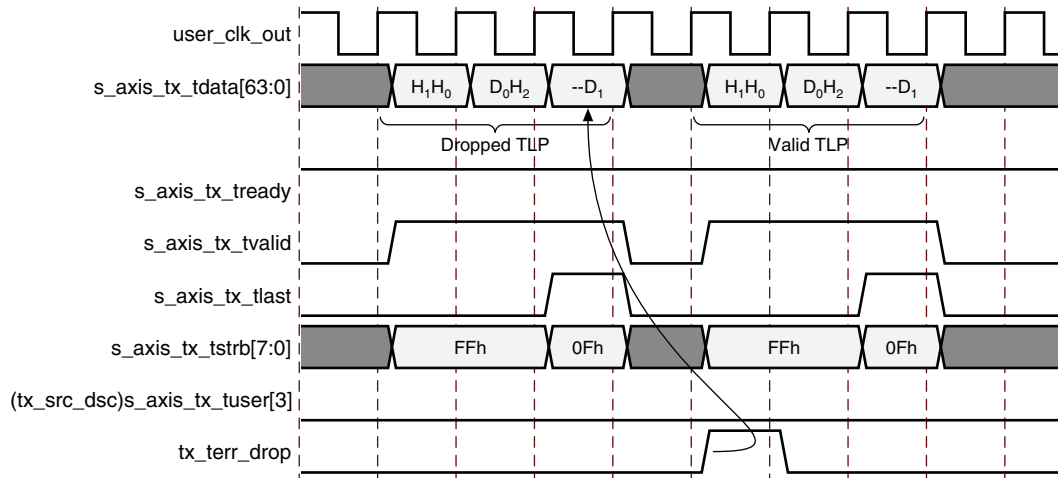


Figure 3-11: Discarding of Transaction by Destination of Transmit Interface

Packet Data Poisoning on the Transmit AXI4-Stream Interface

The User Application uses either of these mechanisms to mark the data payload of a transmitted TLP as poisoned:

- Set EP = 1 in the TLP header. This mechanism can be used if the payload is known to be poisoned when the first DWORD of the header is presented to the core on the AXI4-Stream interface.
- Assert (tx_err_fwd) s_axis_tx_tuser[1] for at least one valid data transfer cycle any time during the packet transmission, as shown in Figure 3-12. This causes the core to set EP = 1 in the TLP header when it transmits the packet onto the PCI Express fabric. This mechanism can be used if the User Application does not know whether a packet could be poisoned at the start of packet transmission. Use of terr_fwd is not supported for packets when (tx_str) s_axis_tx_tuser[2] is asserted (streamed transmit packets). In streaming mode, you can optionally discontinue the packet if it becomes corrupted. See [Discontinuing Transmission of Transaction by Source, page 57](#) for details on discontinuing packets.

When ECRC is being used, instead of setting the EP bit of the TLP to forward an error, the User Application should nullify TLPs with errors by asserting the src_dsc(s_axis_tx_tuser[3]) block input for the TLP and report the error using the cfg_err interface.

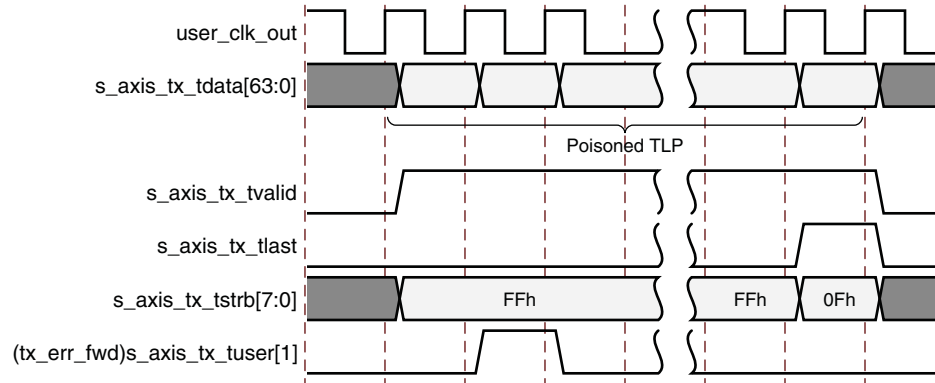


Figure 3-12: Packet Data Poisoning on the Transmit Interface

Streaming Mode for Transactions on the Transmit Interface

The 7 Series FPGAs Integrated Block for PCI Express core allows the User Application to enable Streaming (cut-through) mode for transmission of a TLP, when possible, to reduce latency of operation. To enable this feature, the User Application must hold (tx_str) s_axis_tx_tuser[2] asserted for the entire duration of the transmitted TLP. The User Application must also present valid frames on every clock cycle until the final cycle of the TLP. In other words, the User Application must not deassert s_axis_tx_tvalid for the duration of the presented TLP. Source throttling of the transaction while in streaming mode of operation causes the transaction to be dropped (tx_err_drop is asserted) and a nullified TLP to be signaled on the PCI Express link. Figure 3-13 illustrates the streaming mode of operation, where the first TLP is streamed and the second TLP is dropped because of source throttling.

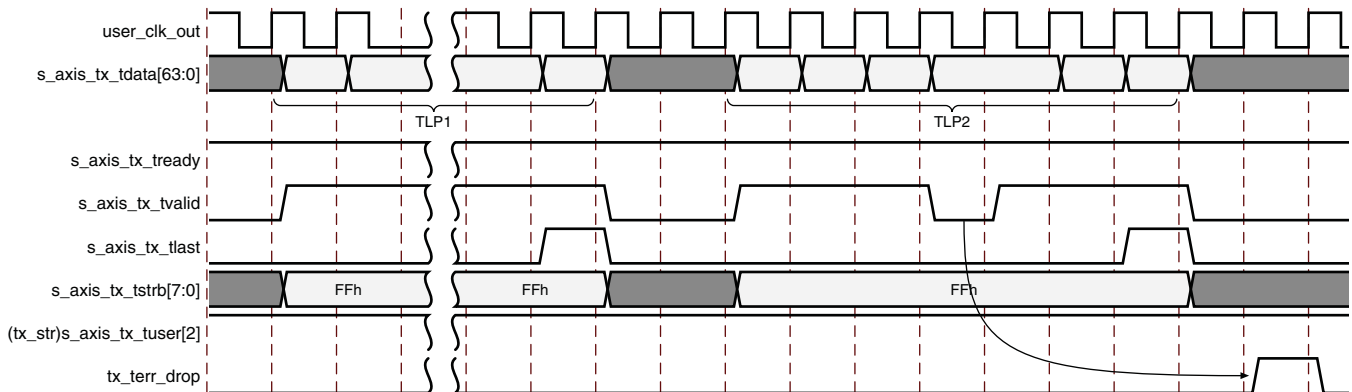


Figure 3-13: Streaming Mode on the Transmit Interface

Using ECRC Generation

The integrated block supports automatic ECRC generation. To enable this feature, the User Application must assert (tx_ecrc_gen) s_axis_tx_tuser[0] at the beginning of a TLP on the transmit AXI4-Stream interface. This signal can be asserted through the duration of the packet, if desired. If the outgoing TLP does not already have a digest, the core generates and appends one and sets the TD bit. There is a single-clock cycle deassertion of

`s_axis_tx_tready` at the end-of-packet to allow for insertion of the digest. Figure 3-14 illustrates ECRC generation operation.

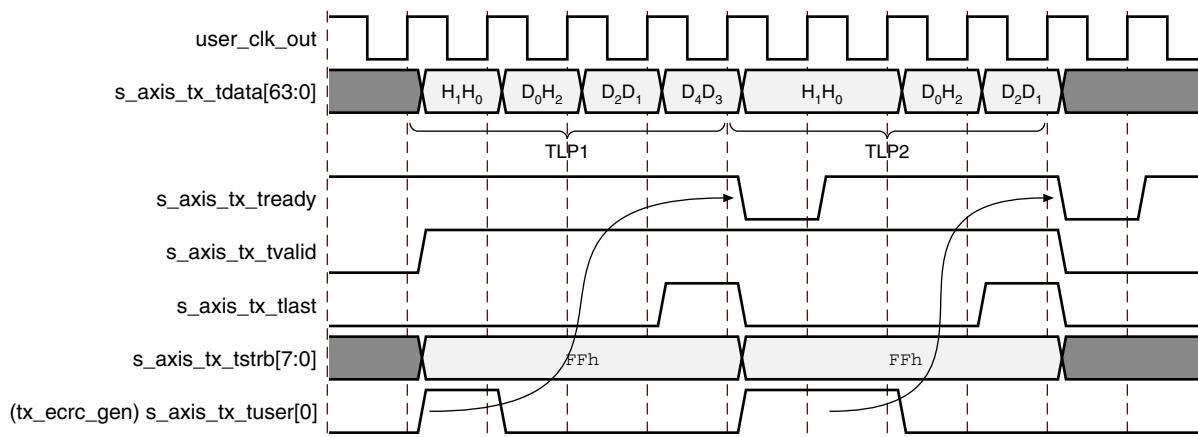


Figure 3-14: ECRC Generation

Receiving Inbound Packets

Basic TLP Receive Operation

Table 2-10, page 23 defines the receive AXI4-Stream interface signals. This sequence of events must occur on the receive AXI4-Stream interface for the Endpoint core to present a TLP to the User Application logic:

1. When the User Application is ready to receive data, it asserts `m_axis_rx_tready`.
2. When the core is ready to transfer data, the core asserts `m_axis_rx_tvalid` and presents the first complete TLP QWORD on `m_axis_rx_tdata[63:0]`.
3. The core keeps `m_axis_rx_tvalid` asserted, and presents TLP QWORDS on `m_axis_rx_tdata[63:0]` on subsequent clock cycles (provided the User Application logic asserts `m_axis_rx_tready`).
4. The core then asserts `m_axis_rx_tvalid` with `m_axis_rx_tlast` and presents either the last QWORD on `s_axis_tx_tdata[63:0]` and a value of `0xFF` on `m_axis_rx_tkeep` or the last DWORD on `s_axis_tx_tdata[31:0]` and a value of `0x0F` on `m_axis_rx_tkeep`.
5. If no further TLPs are available at the next clock cycle, the core deasserts `m_axis_rx_tvalid` to signal the end of valid transfers on `m_axis_rx_tdata[63:0]`.

Note: The User Application should ignore any assertions of `m_axis_rx_tlast`, `m_axis_rx_tkeep`, and `m_axis_rx_tdata` unless `m_axis_rx_tvalid` is concurrently asserted. The `m_axis_rx_tvalid` signal is never deasserted mid-packet.

Figure 3-15 shows a 3-DW TLP header without a data payload; an example is a 32-bit addressable Memory Read request. When the core asserts `m_axis_rx_tlast`, it also

places a value of 0x0F on `m_axis_rx_tkeep`, notifying the user that only `m_axis_rx_tdata[31:0]` contains valid data.

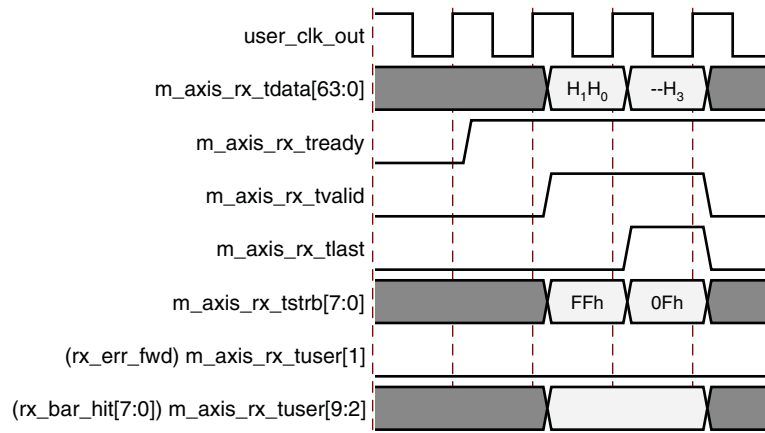


Figure 3-15: TLP 3-DW Header without Payload

Figure 3-16 shows a 4-DW TLP header without a data payload; an example is a 64-bit addressable Memory Read request. When the core asserts `m_axis_rx_tlast`, it also places a value of 0xFF on `m_axis_rx_tkeep`, notifying the user that `m_axis_rx_tdata[63:0]` contains valid data.

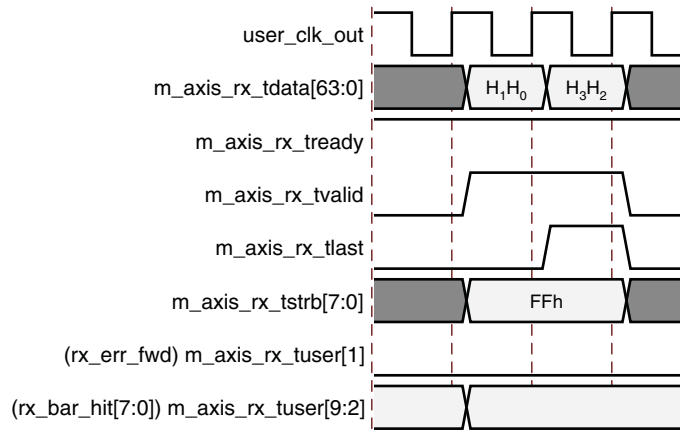


Figure 3-16: TLP 4-DW Header without Payload

Figure 3-17 shows a 3-DW TLP header with a data payload; an example is a 32-bit addressable Memory Write request. When the core asserts `m_axis_rx_tlast`, it also places a value of 0xFF on `m_axis_rx_tkeep`, notifying the user that `m_axis_rx_tdata[63:0]` contains valid data.

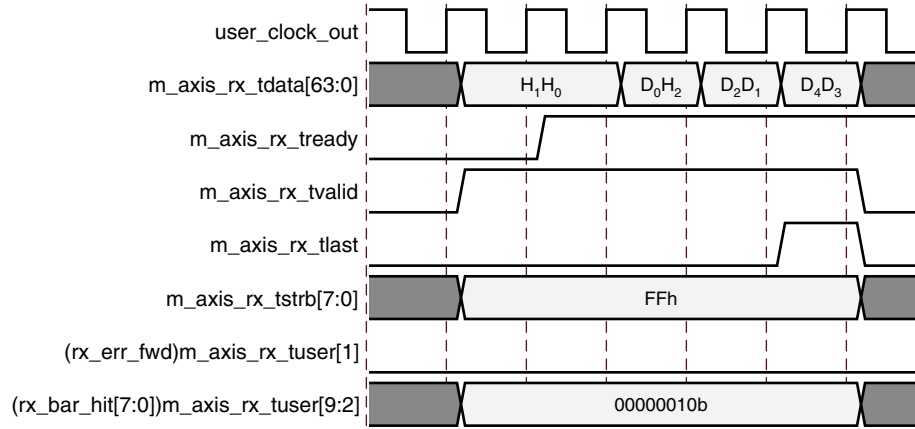


Figure 3-17: TLP 3-DW Header with Payload

Figure 3-18 shows a 4-DW TLP header with a data payload; an example is a 64-bit addressable Memory Write request. When the core asserts `m_axis_rx_tlast`, it also places a value of `0x0F` on `m_axis_rx_tkeep`, notifying the user that only `m_axis_rx_tdata[31:0]` contains valid data.

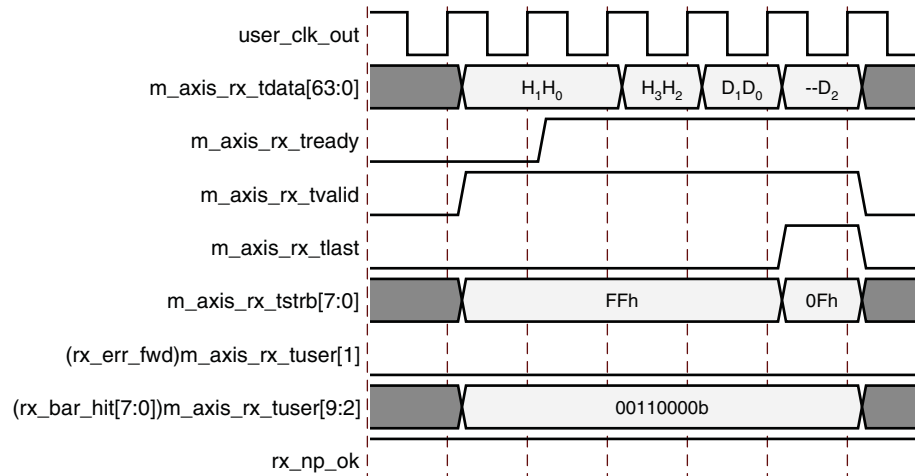


Figure 3-18: TLP 4-DW Header with Payload

Throttling the Datapath on the Receive AXI4-Stream Interface

The User Application can stall the transfer of data from the core at any time by deasserting `m_axis_rx_tready`. If the user deasserts `m_axis_rx_tready` while no transfer is in progress and if a TLP becomes available, the core asserts `m_axis_rx_tvalid` and presents the first TLP QWORD on `m_axis_rx_tdata[63:0]`. The core remains in this state until the user asserts `m_axis_rx_tready` to signal the acceptance of the data presented on `m_axis_rx_tdata[63:0]`. At that point, the core presents subsequent TLP QWORDS as long as `m_axis_rx_tready` remains asserted. If the user deasserts `m_axis_rx_tready` during the middle of a transfer, the core stalls the transfer of data until the user asserts `m_axis_rx_tready` again. There is no limit to the number of cycles

the user can keep `m_axis_rx_tready` deasserted. The core pauses until the user is again ready to receive TLPs.

Figure 3-19 illustrates the core asserting `m_axis_rx_tvalid` along with presenting data on `m_axis_rx_tdata[63:0]`. The User Application logic inserts wait states by deasserting `m_axis_rx_tready`. The core does not present the next TLP QWORD until it detects `m_axis_rx_tready` assertion. The User Application logic can assert or deassert `m_axis_rx_tready` as required to balance receipt of new TLP transfers with the rate of TLP data processing inside the application logic.

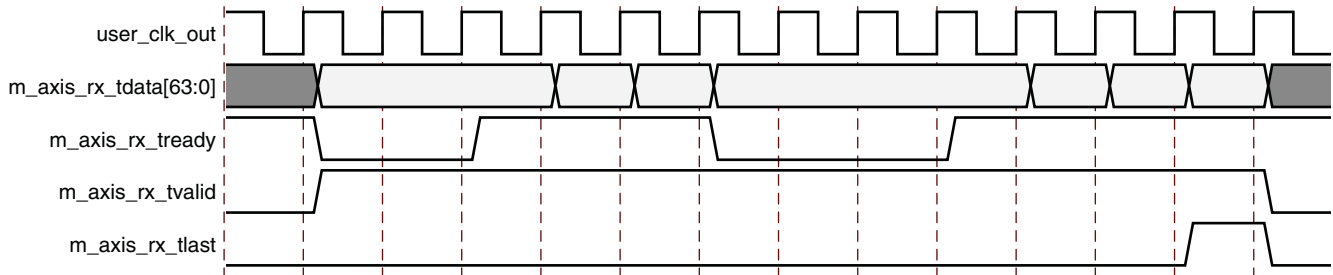


Figure 3-19: User Application Throttling Receive TLP

Receiving Back-to-Back Transactions on the Receive Interface

The User Application logic must be designed to handle presentation of back-to-back TLPs on the receive AXI4-Stream interface by the core. The core can assert `m_axis_rx_tvalid` for a new TLP at the clock cycle after `m_axis_rx_tlast` assertion for the previous TLP.

Figure 3-20 illustrates back-to-back TLPs presented on the receive interface.

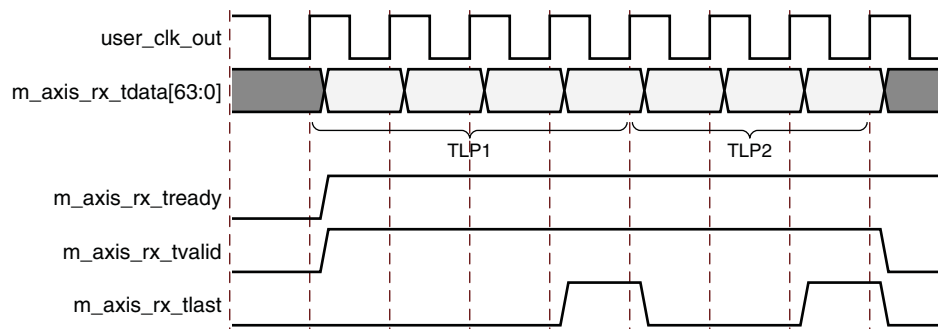


Figure 3-20: Receive Back-to-Back Transactions

If the User Application cannot accept back-to-back packets, it can stall the transfer of the TLP by deasserting `m_axis_rx_tready` as discussed in the [Throttling the Datapath on the Receive AXI4-Stream Interface](#) section. Figure 3-21 shows an example of using `m_axis_rx_tready` to pause the acceptance of the second TLP.

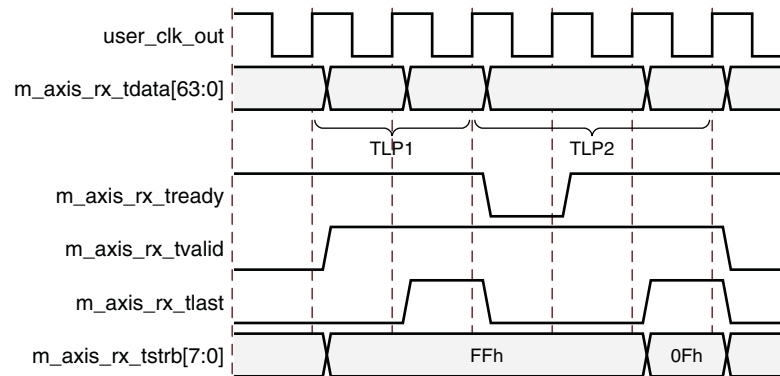


Figure 3-21: User Application Throttling Back-to-Back TLPs

Packet Re-ordering on Receive Interface

Transaction processing in the core receiver is fully compliant with the PCI transaction ordering rules, described in Chapter 2 of the *PCI Express Base Specification* [Ref 2]. The transaction ordering rules allow Posted and Completion TLPs to bypass blocked Non-Posted TLPs.

The 7 Series FPGAs Integrated Block for PCI Express provides two mechanisms for User Applications to manage their Receiver Non-Posted Buffer space. The first of the two mechanisms, *Receive Non-Posted Throttling*, is the use of `rx_np_ok` to prevent the 7 Series FPGAs Integrated Block for PCI Express core from presenting more than two Non-Posted requests after deassertion of the `rx_np_ok` signal. The second mechanism, *Receive Request for Non-Posted*, allows user-controlled Flow Control of the Non-Posted queue, using the `rx_np_req` signal.

The Receive Non-Posted Throttling mechanism assumes that the User Application normally has space in its receiver for non-Posted TLPs and the User Application would throttle the core specifically for Non-Posted requests. The Receive Request for Non-Posted mechanism assumes that the User Application requests the core to present a Non-Posted TLP as and when it has space in its receiver. The two mechanisms are mutually exclusive, and only one can be active for a design. This option must be selected while generating and customizing the core. When the Receive Non-Posted Request option is selected in the Advanced Settings, the Receive Request for Non-Posted mechanism is enabled and any assertion/deassertion of `rx_np_ok` is ignored and vice-versa. The two mechanisms are described in further detail in the next subsections.

- Receive Non-Posted Throttling (Receive Non-Posted Request Disabled)

If the User Application can receive Posted and Completion Transactions from the core, but is not ready to accept Non-Posted Transactions, the User Application can deassert `rx_np_ok`, as shown in Figure 3-22. The User Application must deassert `rx_np_ok` at least two clock cycles before `m_axis_rx_tlast` of the second-to-last Non-Posted TLP the user can accept. While `rx_np_ok` is deasserted, received Posted and Completion Transactions pass Non-Posted Transactions. After the User Application is ready to accept

Non-Posted Transactions, it must reassert `rx_np_ok`. Previously bypassed Non-Posted Transactions are presented to the User Application before other received TLPs. There is no limit as to how long `rx_np_ok` can be deasserted; however, you must take care to not deassert `rx_np_ok` for extended periods, because this can cause a completion timeout in the Requester. See the *PCI Express Base Specification* for more information on the Completion Timeout Mechanism.

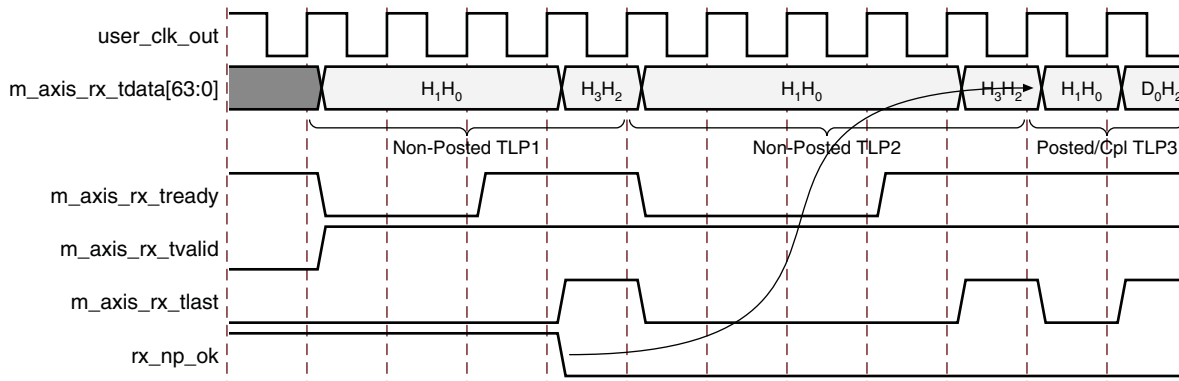


Figure 3-22: Receive Interface Non-Posted Throttling

Packet re-ordering allows the User Application to optimize the rate at which Non-Posted TLPs are processed, while continuing to receive and process Posted and Completion TLPs in a non-blocking fashion. The `rx_np_ok` signaling restrictions require that the User Application be able to receive and buffer at least three Non-Posted TLPs. This algorithm describes the process of managing the Non-Posted TLP buffers:

Consider that `Non-Posted_Buffers_Available` denotes the size of Non-Posted buffer space available to the User Application. The size of the Non-Posted buffer space is greater than three Non-Posted TLPs. `Non-Posted_Buffers_Available` is decremented when Non-Posted TLP is accepted for processing from the core, and is incremented when Non-Posted TLP is drained for processing by the User Application.

```

For every clock cycle do {
  if (Non-Posted_Buffers_Available <= 3) {
    if (Valid transaction Start-of-Frame accepted by user application) {
      Extract TLP Format and Type from the 1st TLP DW
      if (TLP type == Non-Posted) {
        Deassert rx_np_ok on the following clock cycle
        - or -
        Other optional user policies to stall NP transactions
      } else {
      }
    }
  } else { // Non-Posted_Buffers_Available > 3
    Assert rx_np_ok on the following clock cycle.
  }
}

```

- Receive Request for Non-Posted (Receive Non-Posted Request Enabled)

The 7 Series FPGAs Integrated Block for PCI Express allows the User Application to control Flow Control Credit return for the Non-Posted queue using the `rx_np_req` signal. When the User Application has space in its receiver to receive a Non-Posted Transaction, it must assert `rx_np_req` for one clock cycle for every Non-Posted Transaction that the User Application can accept. This enables the integrated block to present one Non-Posted transaction from its receiver queues to the Core Transaction interface, as shown in Figure 3-23 and return one Non-Posted Credit to the connected Link partner.

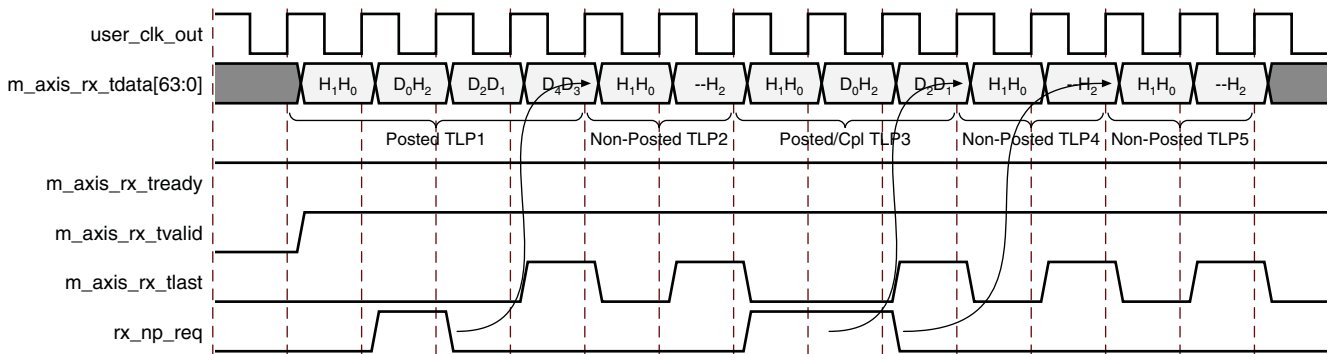


Figure 3-23: Receive Interface Request for Non-Posted Transaction

The 7 Series FPGAs Integrated Block for PCI Express maintains a count of up to 12 Non-Posted Requests from the User Application. In other words, the core remembers assertions of `rx_np_req` even if no Non-Posted TLPs are present in the receive buffer and presents received Non-Posted TLPs to the user, if requests have been previously made by the User Application. If the core has no outstanding requests from the User Application and received Non-Posted TLPs are waiting in the receive buffer, received Posted and Completion Transactions pass the waiting Non-Posted Transactions.

After the user is ready to accept a Non-Posted TLP, asserting `rx_np_req` for one or more cycles causes that number of waiting Non-Posted TLPs to be delivered to the user at the next available TLP boundary. In other words, any Posted or Completion TLP currently on the user application interface finishes before waiting Non-Posted TLPs are presented to the user application. If there are no Posted or Completion TLPs being presented to the user and a Non-Posted TLP is waiting, assertion of `rx_np_req` causes the Non-Posted TLP to be presented to the user. TLPs are delivered to the User Application in order except when the user is throttling Non-Posted TLPs, allowing Posted and Completion TLPs to pass. When the user starts accepting Non-Posted TLPs again, ordering is still maintained with any subsequent Posted or Completion TLPs. If the User Application can accept all Non-Posted Transactions as they are received and does not care about controlling the Flow Control Credit return for the Non-Posted queue, the user should keep this signal asserted.

Packet Data Poisoning and TLP Digest on the Receive AXI4-Stream Interface

To simplify logic within the User Application, the core performs automatic pre-processing based on values of TLP Digest (TD) and Data Poisoning (EP) header bit fields on the received TLP.

All received TLPs with the Data Poisoning bit in the header set (EP = 1) are presented to the user. The core asserts the (rx_err_fwd) `m_axis_rx_tuser[1]` signal for the duration of each poisoned TLP, as illustrated in [Figure 3-24](#).

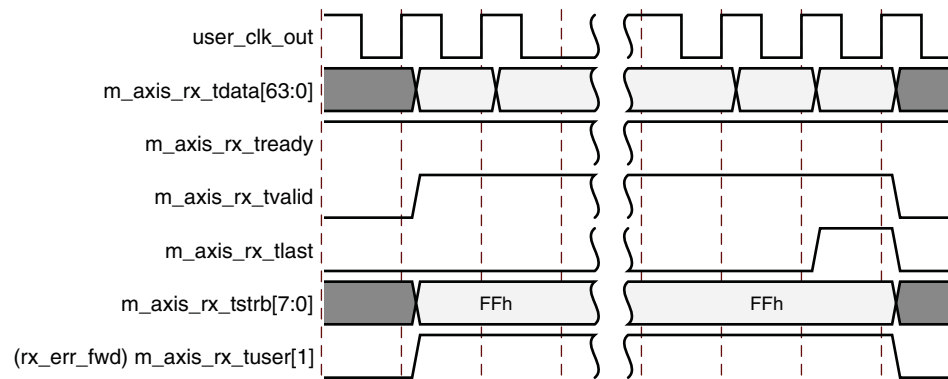


Figure 3-24: Receive Transaction Data Poisoning

If the TLP Digest bit field in the TLP header is set (TD = 1), the TLP contains an End-to-End CRC (ECRC). The core performs these operations based on how the user configured the core during core generation:

- If the Trim TLP Digest option is on, the core removes and discards the ECRC field from the received TLP and clears the TLP Digest bit in the TLP header.
- If the Trim TLP Digest option is off, the core does not remove the ECRC field from the received TLP and presents the entire TLP including TLP Digest to the User Application receiver interface.

See [Chapter 4, Customizing and Generating the Core](#) (Vivado Design Suite) or [Chapter 10, Customizing and Generating the Core](#) (ISE Design Suite) for more information about how to enable the Trim TLP Digest option during core generation.

ECRC Error on the 64-Bit Receive AXI4-Stream Interface

The 7 Series FPGAs Integrated Block for PCI Express core checks the ECRC on incoming transaction packets, when ECRC checking is enabled in the core. When it detects an ECRC error in a transaction packet, the core signals this error to the user by simultaneously asserting `m_axis_rx_tuser[0]` (`rx_ecrc_err`) and `m_axis_rx_tlast` as illustrated in [Figure 3-25](#).

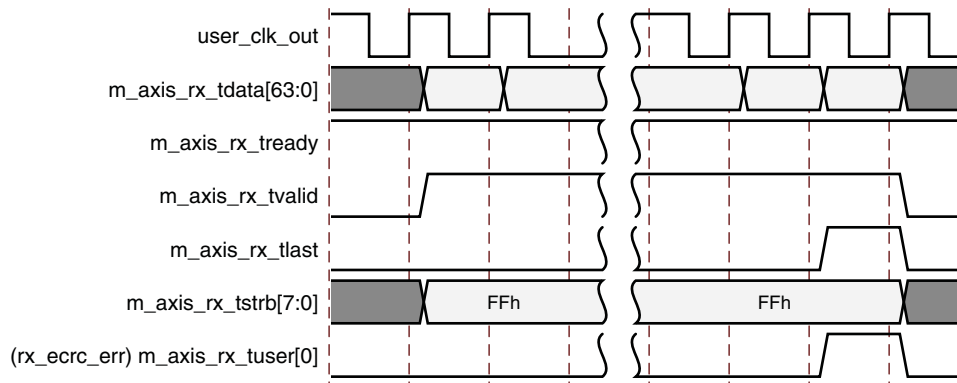


Figure 3-25: ECRC Error on 64-Bit Receive AXI4-Stream Interface

Packet Base Address Register Hit on the Receive AXI4-Stream Interface

The 7 Series FPGAs Integrated Block for PCI Express in Root Port configuration does not perform any BAR decoding/filtering.

The 7 Series FPGAs Integrated Block for PCI Express in Endpoint configuration decodes incoming Memory and I/O TLP request addresses to determine which Base Address Register (BAR) in the core Type0 configuration space is being targeted, and indicates the decoded base address on $(rx_bar_hit[7:0])$ $m_axis_rx_tuser[9:2]$. For each received Memory or I/O TLP, a minimum of one and a maximum of two (adjacent) bit(s) are set to 1b. If the received TLP targets a 32-bit Memory or I/O BAR, only one bit is asserted. If the received TLP targets a 64-bit Memory BAR, two adjacent bits are asserted. If the core receives a TLP that is not decoded by one of the BARs (that is, a misdirected TLP), then the core drops it without presenting it to the user and it automatically generates an Unsupported Request message. Even if the core is configured for a 64-bit BAR, the system might not always allocate a 64-bit address, in which case only one $rx_bar_hit[7:0]$ signal is asserted. Overlapping BAR apertures are not allowed.

Table 3-1 illustrates mapping between $rx_bar_hit[7:0]$ and the BARs, and the corresponding byte offsets in the core Type0 configuration header.

Table 3-1: $(rx_bar_hit[7:0])$ $m_axis_rx_tuser[9:2]$ to Base Address Register Mapping

$rx_bar_hit[x]$	$m_axis_rx_tuser[x]$	BAR	Byte Offset
0	2	0	10h
1	3	1	14h
2	4	2	18h
3	5	3	1Ch
4	6	4	20h
5	7	5	24h
6	8	Expansion ROM BAR	30h
0	9	Reserved	-

For a Memory or I/O TLP Transaction on the receive interface, $(rx_bar_hit[7:0])$ $m_axis_rx_tuser[9:2]$ is valid for the entire TLP, starting with the assertion of $m_axis_rx_tvalid$, as shown in Figure 3-26. When receiving non-Memory and non-I/O transactions, signal $rx_bar_hit[7:0]$ is undefined.

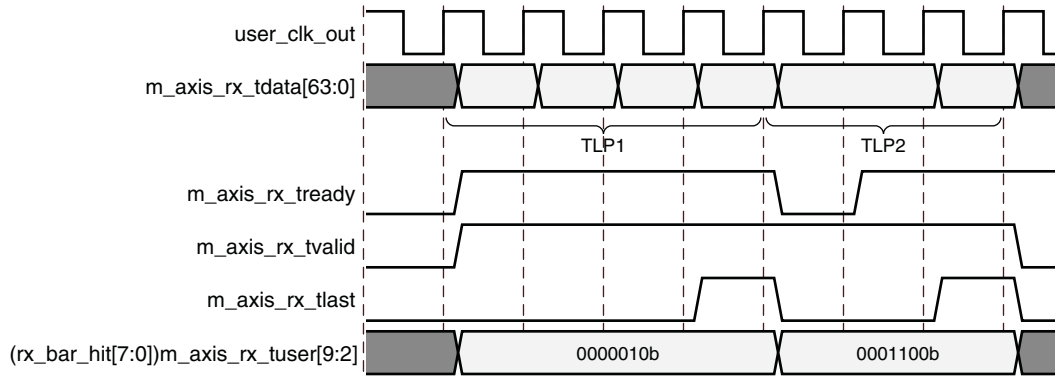


Figure 3-26: BAR Target Determination Using rx_bar_hit

The $(rx_bar_hit[7:0])$ $m_axis_rx_tuser[9:2]$ signal enables received Memory and I/O transactions to be directed to the appropriate destination apertures within the User Application. By utilizing $rx_bar_hit[7:0]$, application logic can inspect only the lower order Memory and I/O address bits within the address aperture to simplify decoding logic.

Packet Transfer During Link-Down Event on Receive AXI4-Stream Interface

The loss of communication with the link partner is signaled by deassertion of $user_lnk_up$. When $user_lnk_up$ is deasserted, it effectively acts as a Hot Reset to the entire core. For this reason, all TLPs stored inside the core or being presented to the receive interface are irrecoverably lost. A TLP in progress on the Receive AXI4-Stream interface is presented to its correct length, according to the Length field in the TLP header. However, the TLP is corrupt and should be discarded by the User Application. Figure 3-27 illustrates the packet transfer discontinue scenario.

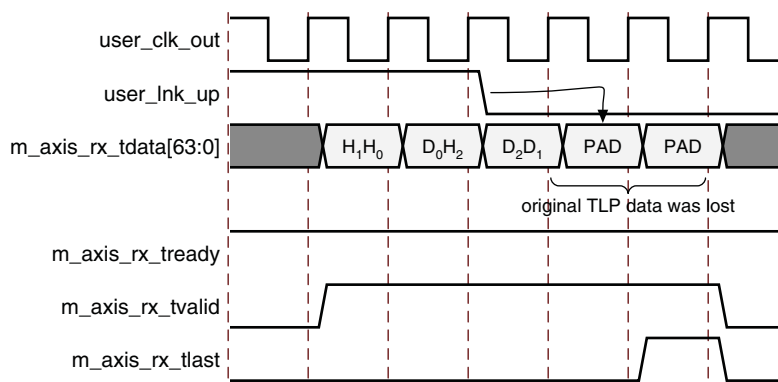


Figure 3-27: Receive Transaction Discontinue

Designing with the 128-Bit Transaction Layer Interface

Note: The Transaction interface width and frequency never change with a lane width/speed upconfigure or downconfigure.

TLP Format in the AXI4-Stream Interface

Data is transmitted and received in Big-Endian order as required by the *PCI Express Base Specification* [Ref 2]. See Chapter 2 of the *PCI Express Base Specification* for detailed information about TLP packet ordering. Figure 3-28 represents a typical 32-bit addressable Memory Write Request TLP (as illustrated in Chapter 2 of the specification).

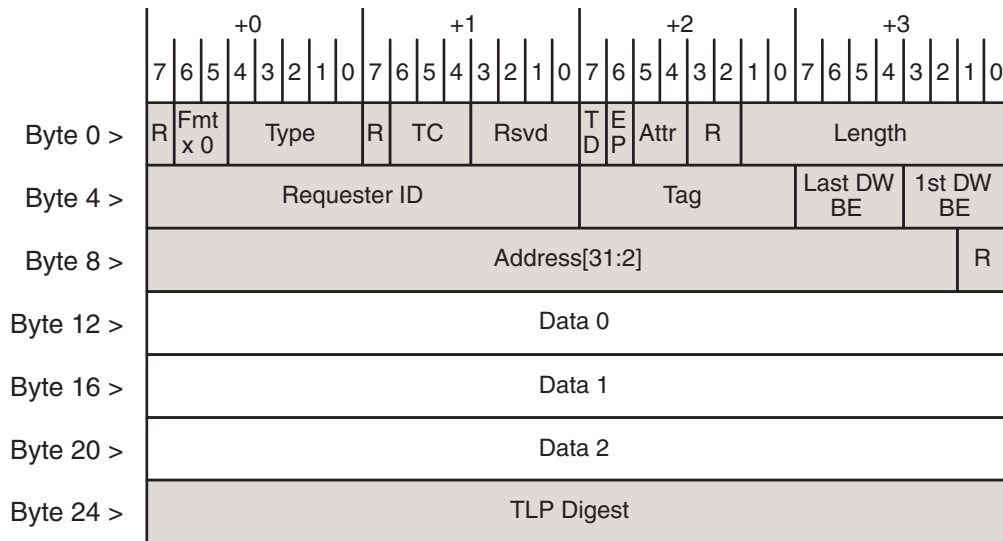


Figure 3-28: PCI Express Base Specification Byte Order

When using the Transaction interface, packets are arranged on the entire 128-bit datapath. Figure 3-29 shows the same example packet on the AXI4-Stream interface. PCIe Byte 0 of the packet appears on `s_axis_tx_tdata[31:24]` (transmit) or `m_axis_rx_tdata[31:24]` (receive) of the first DWORD, byte 1 on `s_axis_tx_tdata[23:16]` or `m_axis_rx_tdata[23:16]`, and so forth. The Header section of the packet consists of either three or four DWORDs, determined by the TLP format and type as described in section 2.2 of the *PCI Express Base Specification*.

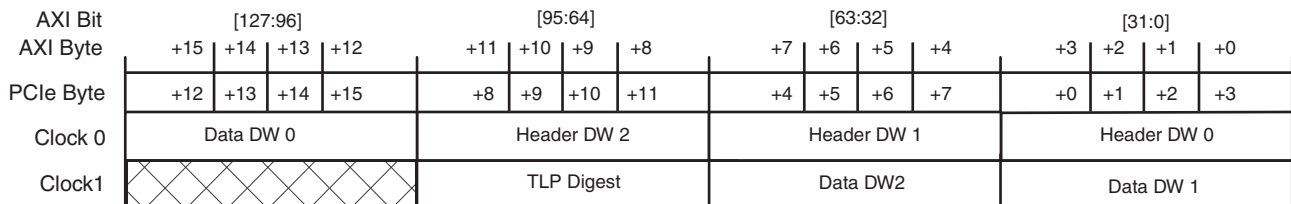


Figure 3-29: Endpoint Integrated Block Byte Order



IMPORTANT: *Packets sent to the core for transmission must follow the formatting rules for Transaction Layer Packets (TLPs) as specified in Chapter 2 of the PCI Express Base Specification.*

The User Application is responsible for ensuring its packets' validity. The core does not check that a packet is correctly formed and this can result in transferring a malformed TLP. The exact fields of a given TLP vary depending on the type of packet being transmitted.

Transmitting Outbound Packets

Basic TLP Transmit Operation

The 7 Series FPGAs Integrated Block for PCI Express core automatically transmits these types of packets:

- Completions to a remote device in response to Configuration Space requests.
- Error-message responses to inbound requests that are malformed or unrecognized by the core.

Note: Certain unrecognized requests, for example, unexpected completions, can only be detected by the User Application, which is responsible for generating the appropriate response.

The User Application is responsible for constructing these types of outbound packets:

- Memory, Atomic Ops, and I/O Requests to remote devices.
- Completions in response to requests to the User Application, for example, a Memory Read Request.

When configured as an Endpoint, the 7 Series FPGAs Integrated Block for PCI Express core notifies the User Application of pending internally generated TLPs that arbitrate for the transmit datapath by asserting `tx_cfg_req` (1b). The User Application can choose to give priority to core-generated TLPs by asserting `tx_cfg_gnt` (1b) permanently, without regard to `tx_cfg_req`. Doing so prevents User-Application-generated TLPs from being transmitted when a core-generated TLP is pending. Alternatively, the User Application can reserve priority for a User-Application-generated TLP over core-generated TLPs, by deasserting `tx_cfg_gnt` (0b) until the user transaction is complete. After the user transaction is complete, the User Application can assert `tx_cfg_gnt` (1b) for at least one clock cycle to allow the pending core-generated TLP to be transmitted. Users must not delay asserting `tx_cfg_gnt` indefinitely, because this might cause a completion timeout in the Requester. See the *PCI Express Base Specification* for more information on the Completion Timeout Mechanism.

- The integrated block does not do any filtering on the Base/Limit registers (Root Port only). The user is responsible for determining if filtering is required. These registers can be read out of the Type 1 Configuration Header space via the Configuration interface (see [Design with Configuration Space Registers and Configuration Interface](#), page 110).

Table 2-9, page 20 defines the transmit User Application signals. To transmit a TLP, the User Application must perform this sequence of events on the transmit AXI4-Stream interface:

1. The User Application logic asserts `s_axis_tx_tvalid`, and presents the first TLP Double-Quad Word (DQWORD = 128 bits) on `s_axis_tx_tdata[127:0]`. If the core is asserting `s_axis_tx_tready`, the DQWORD is accepted immediately; otherwise, the User Application must keep the DQWORD presented until the core asserts `s_axis_tx_tready`.
2. The User Application asserts `s_axis_tx_tvalid` and presents the remainder of the TLP DQWORDS on `s_axis_tx_tdata[127:0]` for subsequent clock cycles (for which the core asserts `s_axis_tx_tready`).
3. The User Application asserts `s_axis_tx_tvalid` and `s_axis_tx_tlast` together with the last DQWORD data. The user must ensure that the strobe field is selected for the final data cycle to create a packet of length equivalent to the length field in the packet header. For more information on the `s_axis_tx_tkeep[15:0]` signaling, see Table 3-2 and Table 3-3.
4. At the next clock cycle, the User Application deasserts `s_axis_tx_tvalid` to signal the end of valid transfers on `s_axis_tx_tdata[127:0]`.

This section uses the notation H_n and D_n to denote Header QW_n and Data QW_n , respectively. Table 3-2 lists the possible single-cycle packet signaling where `s_axis_tx_tlast` is asserted in the same cycle.

Table 3-2: TX: EOF Scenarios, Single Cycle

	s_axis_tx_tdata[127:0]		
	H3 H2 H1 H0	-- H2 H1 H0	D0 H2 H1 H0
s_axis_tx_tlast	1	1	1
s_axis_tx_tkeep[15:0]	0xFFFF	0x0FFF	0xFFFF

Table 3-3 lists the possible signaling for ending a multicycle packet. If a packet ends in the lower QW of the data bus, the next packet cannot start in the upper QW of that beat. All packets must start in the lowest DW of the data bus in a new beat. The `s_axis_tx_tkeep[15:0]` signal indicates which DWORD of the data bus contains EOF.

Table 3-3: TX: EOF Scenarios, Multicycle

	s_axis_tx_tdata[127:0]			
	D3 D2 D1 D0	-- D2 D1 D0	-- -- D1 D0	-- -- -- D0
s_axis_tx_tlast	1	1	1	1
s_axis_tx_tkeep[15:0]	0xFFFF	0x0FFF	0x00FF	0x000F

Figure 3-30 illustrates a 3-DW TLP header without a data payload; an example is a 32-bit addressable Memory Read request. When the User Application asserts `s_axis_tx_tlast`,

it also places a value of 0x0FFF on s_axis_tx_tkeep[15:0], notifying the core that only s_axis_tx_tdata[95:0] contains valid data.

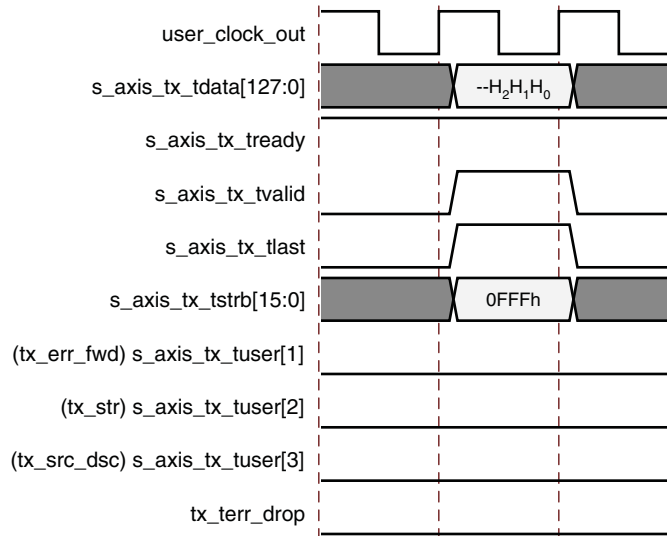


Figure 3-30: TLP 3-DW Header without Payload

Figure 3-31 illustrates a 4-DW TLP header without a data payload; an example is a 64-bit addressable Memory Read request. When the User Application asserts s_axis_tx_tlast, it also places a value of 0xFFFF on s_axis_tx_tkeep[15:0] notifying the core that s_axis_tx_tdata[127:0] contains valid data and the EOF occurs in the upper-most DW.

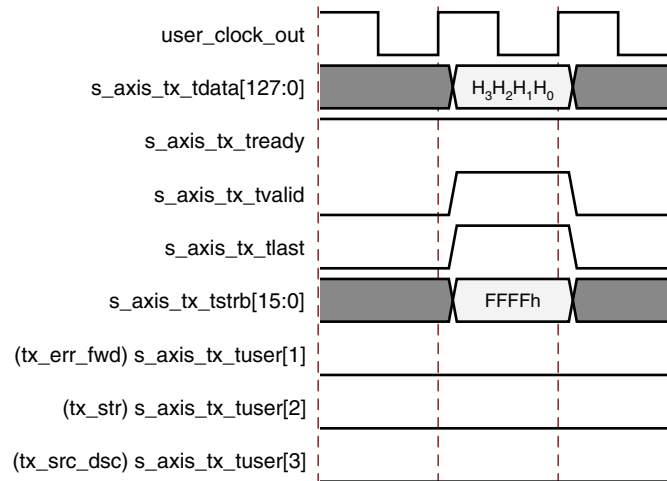


Figure 3-31: TLP with 4-DW Header without Payload

Figure 3-32 illustrates a 3-DW TLP header with a data payload; an example is a 32-bit addressable Memory Write request. When the User Application asserts s_axis_tx_tlast, it also puts a value of 0x0FFF on s_axis_tx_tkeep[15:0] notifying the core that s_axis_tx_tdata[95:0] contains valid data and the EOF occurs in DWORD 2.

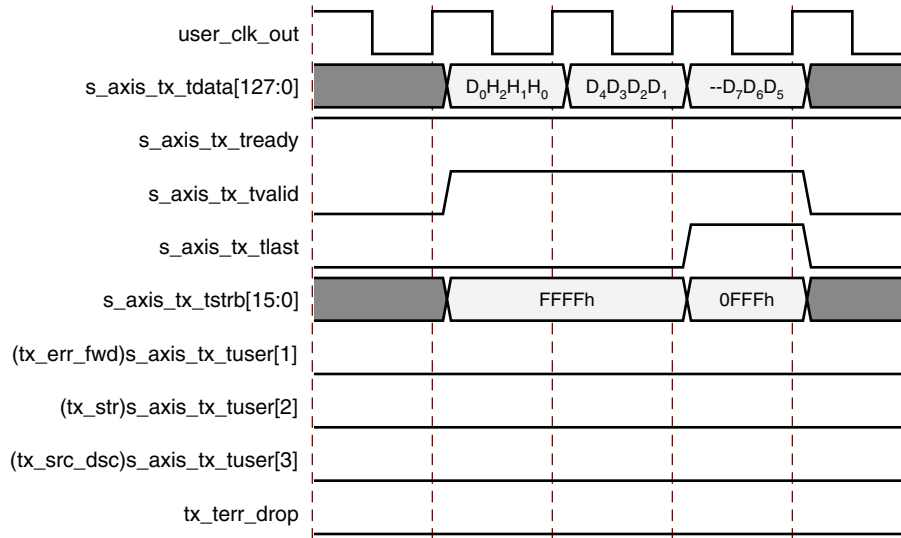


Figure 3-32: TLP with 3-DW Header with Payload

Figure 3-33 illustrates a 4-DW TLP header with a data payload. When the User Application asserts `s_axis_tx_tlast`, it also places a value of `0x00FF` on `s_axis_tx_tkeep[15:0]`, notifying the core that only `s_axis_tx_tdata[63:0]` contains valid data.

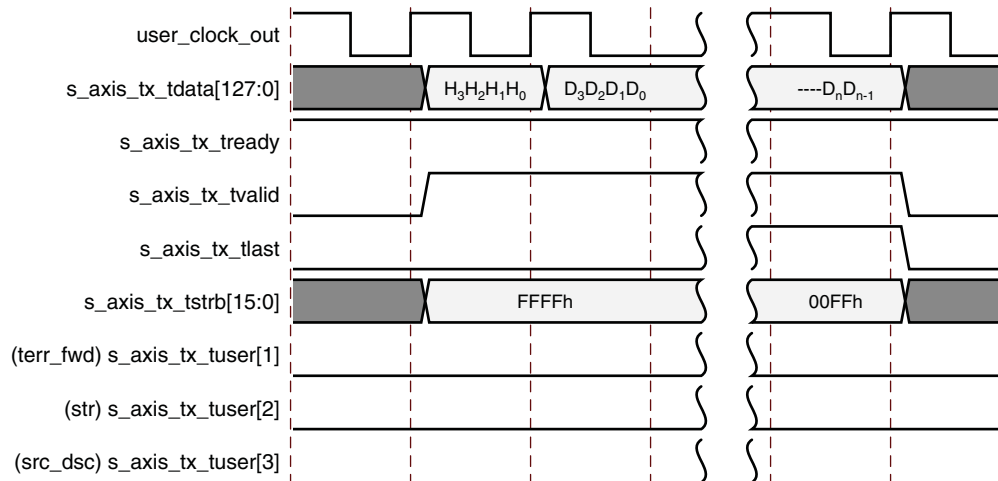


Figure 3-33: TLP with 4-DW Header with Payload

Presenting Back-to-Back Transactions on the Transmit Interface

The User Application can present back-to-back TLPs on the transmit AXI4-Stream interface to maximize bandwidth utilization. Figure 3-34 illustrates back-to-back TLPs presented on the transmit interface, with the restriction that all TLPs must start in the lowest DW of the data bus [31:0]. The User Application keeps `s_axis_tx_tvalid` asserted and presents a new TLP on the next clock cycle after asserting `s_axis_tx_tlast` for the previous TLP.

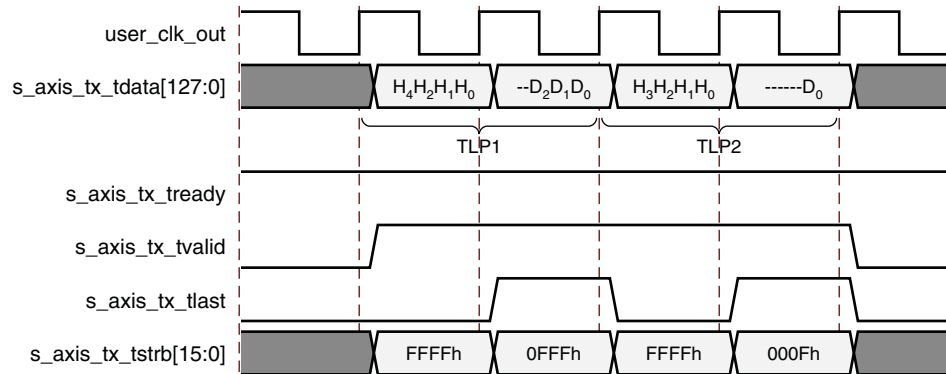


Figure 3-34: Back-to-Back Transaction on the Transmit Interface

Source Throttling on the Transmit Datapath

The AXI4-Stream interface lets the User Application throttle back if it has no data to present on `s_axis_tx_tdata[127:0]`. When this condition occurs, the User Application deasserts `s_axis_tx_tvalid`, which instructs the core AXI4-Stream interface to disregard data presented on `s_axis_tx_tdata[127:0]`. Figure 3-35 illustrates the source throttling mechanism, where the User Application does not have data to present every clock cycle, and therefore must deassert `s_axis_tx_tvalid` during these cycles.

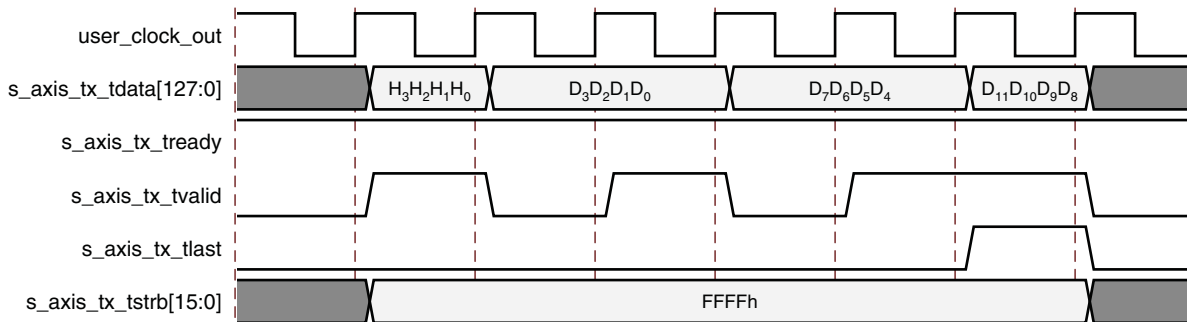


Figure 3-35: Source Throttling on the Transmit Datapath

Destination Throttling of the Transmit Datapath

The core AXI4-Stream interface throttles the transmit User Application if there is no space left for a new TLP in its transmit buffer pool. This can occur if the link partner is not processing incoming packets at a rate equal to or greater than the rate at which the User Application is presenting TLPs. Figure 3-36 illustrates the deassertion of `s_axis_tx_tready` to throttle the User Application when the core's internal transmit buffers are full. If the core needs to throttle the User Application, it does so after the current packet has completed. If another packet starts immediately after the current packet, the throttle occurs immediately after `s_axis_tx_tlast`.

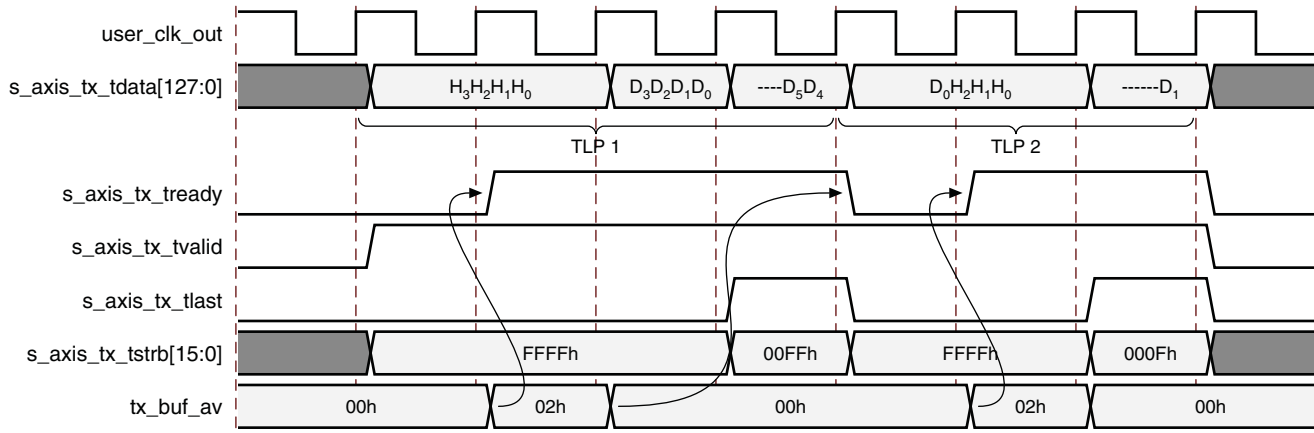


Figure 3-36: Destination Throttling of the Endpoint Transmit Interface

If the core transmit AXI4-Stream interface accepts the start of a TLP by asserting `s_axis_tx_tready`, it is guaranteed to accept the complete TLP with a size up to the value contained in the `Max_Payload_Size` field of the PCI Express Device Capability Register (offset 04H). To stay compliant with the *PCI Express Base Specification* [Ref 2], you should not violate the `Max_Payload_Size` field of the PCI Express Device Control Register (offset 08H). The core transmit AXI4-Stream interface deasserts `s_axis_tx_tready` only under these conditions:

- After it has accepted the TLP completely and has no buffer space available for a new TLP.
- When the core is transmitting an internally generated TLP (Completion TLP because of a Configuration Read or Write, error Message TLP or error response as requested by the User Application on the `cfg_err` interface), after it has been granted use of the transmit datapath by the User Application, by assertion of `tx_cfg_gnt`, the core subsequently asserts `s_axis_tx_tready` after transmitting the internally generated TLP.
- When the Power State field in the Power Management Control/Status Register (offset 0x4) of the PCI Power Management Capability Structure is changed to a non-D0 state, any ongoing TLP is accepted completely and `s_axis_tx_tready` is subsequently deasserted, disallowing the User Application from initiating any new transactions for the duration that the core is in the non-D0 power state.

On deassertion of `s_axis_tx_tready` by the core, the User Application needs to hold all control and data signals until the core asserts `s_axis_tx_tready`.

Discontinuing Transmission of Transaction by Source

The core AXI4-Stream interface lets the User Application terminate transmission of a TLP by asserting (tx_src_dsc) `s_axis_tx_tuser[3]`. Both `s_axis_tx_tvalid` and `s_axis_tx_tready` must be asserted together with `tx_src_dsc` for the TLP to be discontinued. The signal `tx_src_dsc` must not be asserted at the beginning of a TLP. It can

be asserted on any cycle after the first beat of a new TLP up to and including the assertion of `s_axis_tx_tlast`. Asserting `tx_src_dsc` has no effect if no TLP transaction is in progress on the transmit interface. Figure 3-37 illustrates the User Application discontinuing a packet using `tx_src_dsc`. Asserting `s_axis_tx_tlast` together with `tx_src_dsc` is optional.

If streaming mode is not used, $(tx_str) s_axis_tx_tuser[2] = 0b$, and the packet is discontinued, then the packet is discarded before being transmitted on the serial link. If streaming mode is used ($tx_str = 1b$), the packet is terminated with the EDB symbol on the serial link.

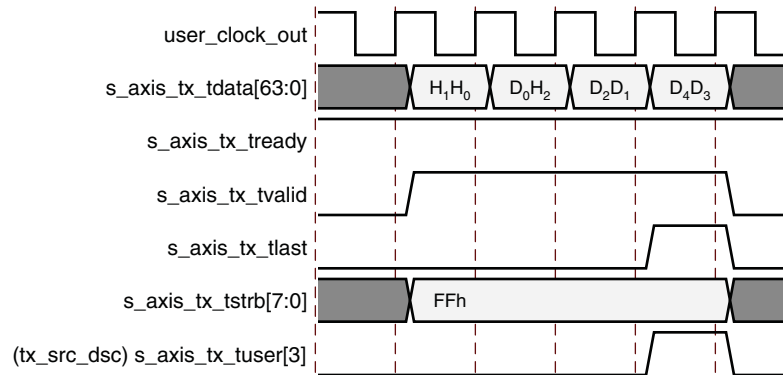


Figure 3-37: Source Driven Transaction Discontinue on the Transmit Interface

Discarding of Transaction by Destination

The core transmit AXI4-Stream interface discards a TLP for three reasons:

- The PCI Express Link goes down.
- Presented TLP violates the `Max_Payload_Size` field of the Device Capability Register (offset 04H) for PCI Express. It is the user's responsibility to not violate the `Max_Payload_Size` field of the Device Control Register (offset 08H).
- $(tx_str) s_axis_tx_tuser[2]$ is asserted and data is not presented on consecutive clock cycles, that is, `s_axis_tx_tvalid` is deasserted in the middle of a TLP transfer.

When any of these occur, the transmit AXI4-Stream interface continues to accept the remainder of the presented TLP and asserts `tx_err_drop` no later than the third clock cycle following the EOF of the discarded TLP. Figure 3-38 illustrates the core signaling that a packet was discarded using `tx_err_drop`.

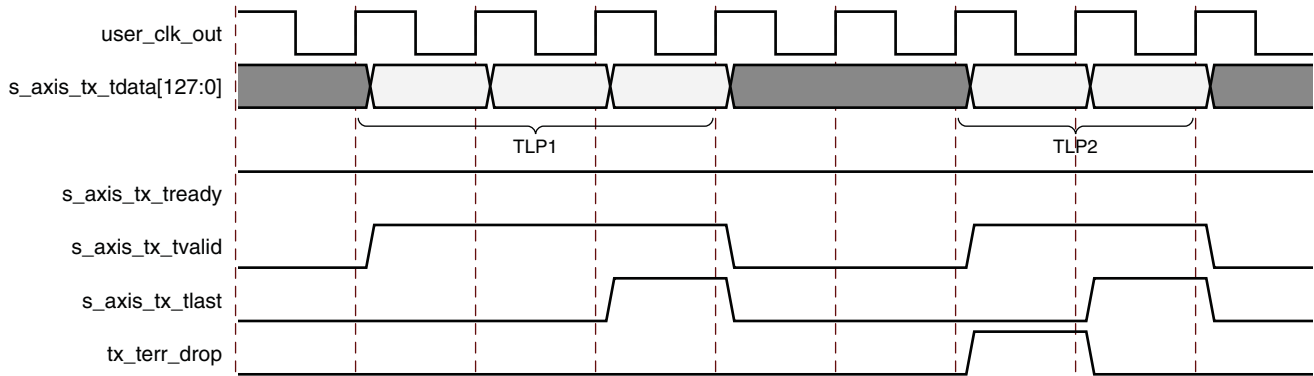


Figure 3-38: Discarding of Transaction by Destination on the Transmit Interface

Packet Data Poisoning on the Transmit AXI4-Stream Interface

The User Application uses either of these two mechanisms to mark the data payload of a transmitted TLP as poisoned:

- Set EP = 1 in the TLP header. This mechanism can be used if the payload is known to be poisoned when the first DWORD of the header is presented to the core on the AXI4-Stream interface.
- Assert (tx_err_fwd) s_axis_tx_tuser[1] for at least one valid data transfer cycle any time during the packet transmission, as shown in Figure 3-39. This causes the core to set EP = 1 in the TLP header when it transmits the packet onto the PCI Express fabric. This mechanism can be used if the User Application does not know whether a packet could be poisoned at the start of packet transmission. Use of tx_err_fwd is not supported for packets when (tx_str) s_axis_tx_tuser[2] is asserted (streamed transmit packets). In streaming mode, users can optionally discontinue the packet if it becomes corrupted. See [Discontinuing Transmission of Transaction by Source](#), page 57 for details on discontinuing packets.

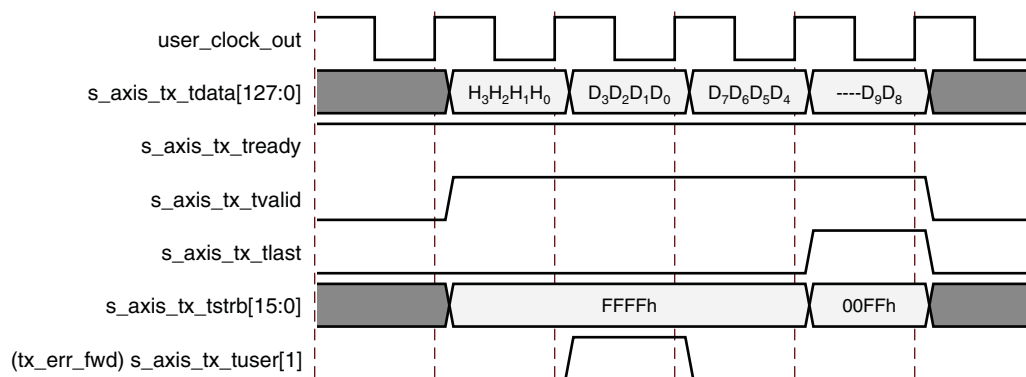


Figure 3-39: Packet Data Poisoning on the Transmit Interface

Streaming Mode for Transactions on the Transmit Interface

The 7 Series FPGAs Integrated Block for PCI Express core allows the User Application to enable Streaming (cut-through) mode for transmission of a TLP, when possible, to reduce latency of operation. To enable this feature, the User Application must assert `(tx_str) s_axis_tx_tuser[2]` for the entire duration of the transmitted TLP. In addition, the User Application must present valid frames on every clock cycle until the final cycle of the TLP. In other words, the User Application must not deassert `s_axis_tx_tvalid` for the duration of the presented TLP. Source throttling of the transaction while in streaming mode of operation causes the transaction to be dropped (`tx_err_drop` is asserted) and a nullified TLP to be signaled on the PCI Express link. [Figure 3-40](#) illustrates the streaming mode of operation, where the first TLP is streamed and the second TLP is dropped because of source throttling.

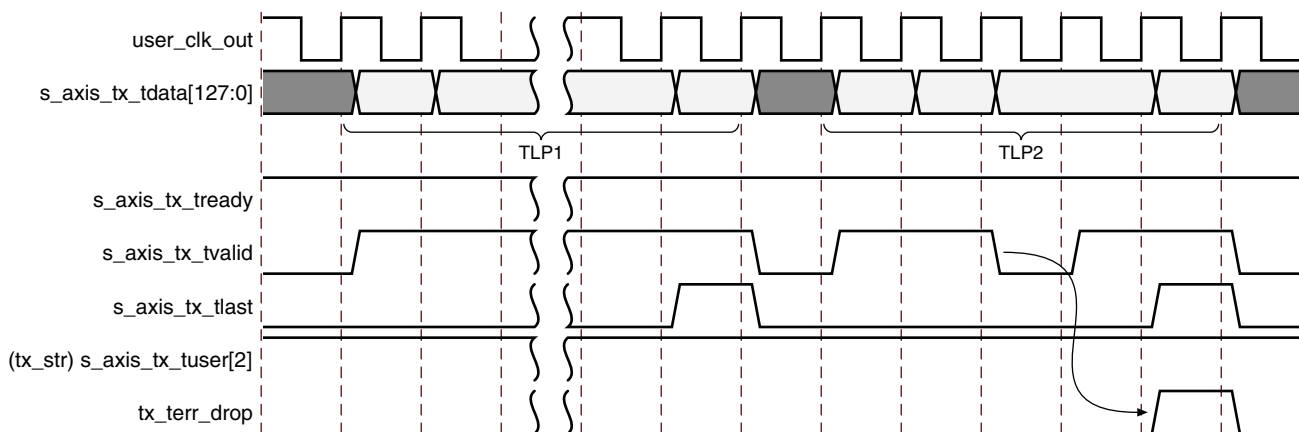


Figure 3-40: Streaming Mode on the Transmit Interface

Using ECRC Generation (128-Bit Interface)

The integrated block supports automatic ECRC generation. To enable this feature, the User Application must assert `(tx_ecrc_gen) s_axis_tx_tuser[0]` at the beginning of a TLP on the transmit AXI4-Stream interface. This signal can be asserted through the duration of the packet, if desired. If the outgoing TLP does not already have a digest, the core generates and appends one and sets the TD bit. There is a single-clock cycle deassertion of `s_axis_tx_tready` at the end of packet to allow for insertion of the digest. [Figure 3-41](#) illustrates ECRC generation operation.

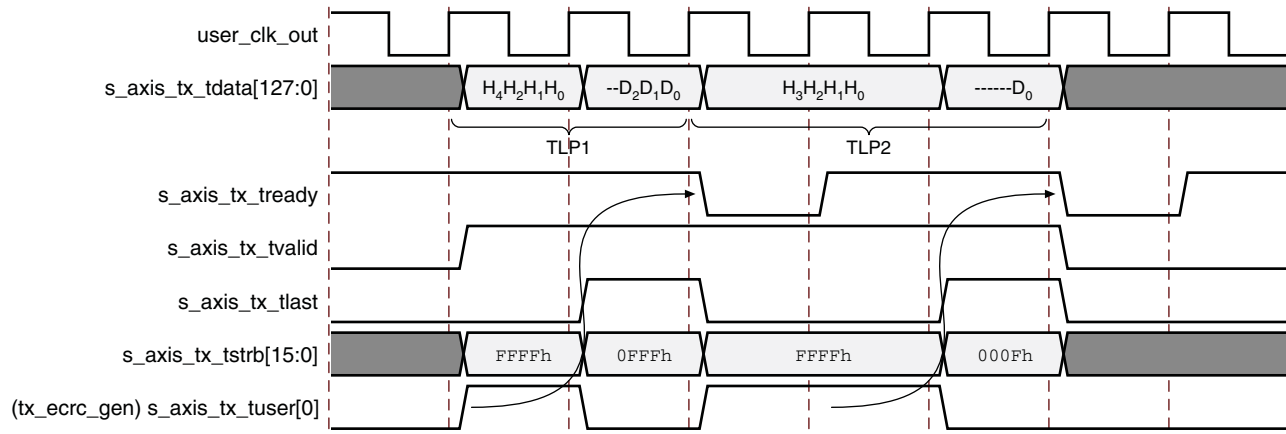


Figure 3-41: ECRC Generation Waveforms (128-Bit Interface)

Receiving Inbound Packets

Basic TLP Receive Operation

Table 2-10, page 23 defines the receive AXI4-Stream interface signals. This sequence of events must occur on the receive AXI4-Stream interface for the Endpoint core to present a TLP to the User Application logic:

1. When the User Application is ready to receive data, it asserts `m_axis_rx_tready`.
2. When the core is ready to transfer data, the core asserts (`rx_is_sof[4]`) `m_axis_rx_tuser[14]` and presents the first complete TLP DQWORD on `m_axis_rx_tdata[127:0]`.
3. The core then deasserts (`rx_is_sof[4]`) `m_axis_rx_tuser[14]`, keeps `m_axis_rx_tvalid` asserted, and presents TLP DQWORDS on `m_axis_rx_tdata[127:0]` on subsequent clock cycles (provided the User Application logic asserts `m_axis_rx_tready`). Signal (`rx_is_eof[4]`) `m_axis_rx_tuser[21]` is asserted to signal the end of a TLP.
4. If no further TLPs are available at the next clock cycle, the core deasserts `m_axis_rx_tvalid` to signal the end of valid transfers on `m_axis_rx_tdata[127:0]`.

Note: The User Application should ignore any assertions of `rx_is_sof`, `rx_is_eof`, and `m_axis_rx_tdata` unless `m_axis_rx_tvalid` is concurrently asserted. Signal `m_axis_rx_tvalid` never deasserts mid-packet.

Signal (`rx_is_sof[4:0]`) `m_axis_rx_tuser[14:0]` indicates whether or not a new packet has been started in the data stream, and if so, where the first byte of the new packet is located. Because new packets are at a minimum of three DQWORDS in length for PCI Express, there is always, at most, one new packet start for a given clock cycle in the 128-bit interface.

Table 3-4: rx_is_sof Signal Description

Bit	Description
rx_is_sof[3:0]	Binary encoded byte location of SOF: 4'b0000 = byte 0, 4'b1111 = byte 15
rx_is_sof[4]	Assertion indicates a new packet has been started in the current RX data.

The rx_is_sof[2:0] signal is always deasserted for the 128-bit interface; users can decode rx_is_sof[3:2] to determine in which DWORD the EOF occurs.

- rx_is_sof = 5'b10000 - SOF located at byte 0 (DWORD 0)
- rx_is_sof = 5'b11000 - OF located at byte 8 (DWORD 2)
- rx_is_sof = 5'b0XXXX - SOF not present

Signal (rx_is_eof[4:0]) m_axis_rx_tuser[21:17] indicates whether or not a current packet is ending in the data stream, and if so, where the last byte of the current packet is located. Because packets are at a minimum of three DWORDs in length for PCI Express, there is always, at most, one packet ending for a given clock cycle in the 128-bit interface.

Table 3-5: rx_is_eof Signal Description

Bit	Description
rx_is_eof[3:0]	Binary encoded byte location of EOF: 4'b0000 = byte 0, 4'b1111 = byte 15
rx_is_eof[4]	Assertion indicates a packet is ending in the current RX data.

The rx_is_eof[1:0] signal is always asserted for the 128-bit interface; users can decode rx_is_eof[3:2] to determine in which DWORD the EOF occurs. These rx_is_eof values are valid for PCI Express:

- rx_is_eof = 5'b10011 - EOF located at byte 3 (DWORD 0)
- rx_is_eof = 5'b10111 - EOF located at byte 7 (DWORD 1)
- rx_is_eof = 5'b11011 - EOF located at byte 11 (DWORD 2)
- rx_is_eof = 5'b11111 - EOF located at byte 15 (DWORD 3)
- rx_is_eof = 5'b0XXXX - EOF not present

Table 3-6 through Table 3-9 use the notation Hn and Dn to denote Header DWORD n and Data DWORD n, respectively. Table 3-6 list the signaling for all the valid cases where a packet can start and end within a single beat (single-cycle TLP).

Table 3-6: Single-Cycle SOF and EOF Scenarios (Header and Header with Data)

	m_axis_rx_tdata[127:0]		
	H3 H2 H1 H0	-- H2 H1 H0	D0 H2 H1 H0
rx_is_sof[4]	1b	1b	1b
rx_is_sof[3:0]	0000b	0000b	0000b
rx_is_eof[4]	1b	1b	1b
rx_is_eof[3:0]	1111b	1011b	1111b

Table 3-7 lists the signaling for all multicycle, non-straddled TLP SOF scenarios.

Table 3-7: Multicycle, Non-Straddled SOF Scenarios

	m_axis_rx_tdata[127:0]		
	H3 H2 H1 H0 ⁽¹⁾	D0 H2 H1 H0 ⁽²⁾	H1 H0 -- -- ⁽³⁾
rx_is_sof[4]	1b	1b	1b
rx_is_sof[3:0]	0000b	0000b	1000b
rx_is_eof[4]	0b	0b	0b
rx_is_eof[3:0]	xxxxb	xxxxb	xxxxb

Notes:

1. Data begins on the next clock cycle.
2. Data continues on the next clock cycle.
3. Remainder of header and possible data on the next clock cycle.

Table 3-8 lists the possible signaling for ending a multicycle packet. If a packet ends in the lower QWORD of the data bus, the next packet can start in the upper QWORD of that beat (see Straddle cases, Table 3-9). rx_is_eof[3:2] indicates which DW the EOF occurs

Table 3-8: Receive - EOF Scenarios (Data)

	m_axis_rx_tdata[127:0]			
	D3 D2 D1 D0	-- D2 D1 D0	-- -- D1 D0	-- -- -- D0
rx_is_sof[4]	0b	0b	0b	0b
rx_is_sof[3:0]	0000b	0000b	0000b	0000b
rx_is_eof[4]	1b	1b	1b	1b
rx_is_eof[3:0]	1111b	1011b	0111b	0011b

Table 3-9 lists the possible signaling for a straddled data transfer beat. A straddled data transfer beat occurs when one packet ends in the lower QWORD and a new packet starts in the upper QWORD of the same cycle. Straddled data transfers only occur in the receive direction.

Table 3-9: Receive - Straddle Cases SOF and EOF

	m_axis_rx_tdata[127:0]	
	H1 H0 Dn Dn-1	H1 H0 -- Dn
rx_is_sof[4]	1b	1b
rx_is_sof[3:0]	1000b	1000b
rx_is_eof[4]	1b	1b
rx_is_eof[3:0]	0111b	0011b

Figure 3-42 shows a 3-DWORD TLP header without a data payload; an example is a 32-bit addressable Memory Read request. When the core asserts rx_is_eof[4], it also places a value of 1011b on rx_is_eof[3:0], notifying the user that EOF occurs on byte 11 (DWORD 2) and only m_axis_rx_tdata[95:0] contains valid data.

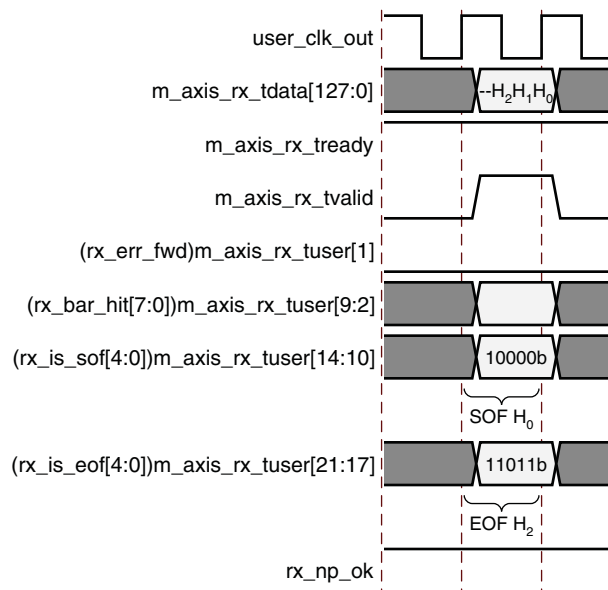


Figure 3-42: TLP 3-DWORD Header without Payload

Figure 3-43 shows a 4-DWORD TLP header without a data payload. When the core asserts (rx_is_eof[4]) m_axis_rx_tuser[21], it also places a value of 1111b on (rx_is_eof[3:0]) m_axis_rx_tuser[20:17], notifying the user that the EOF occurs on byte 15 (DWORD 3) and m_axis_rx_tdata[127:0] contains valid data.

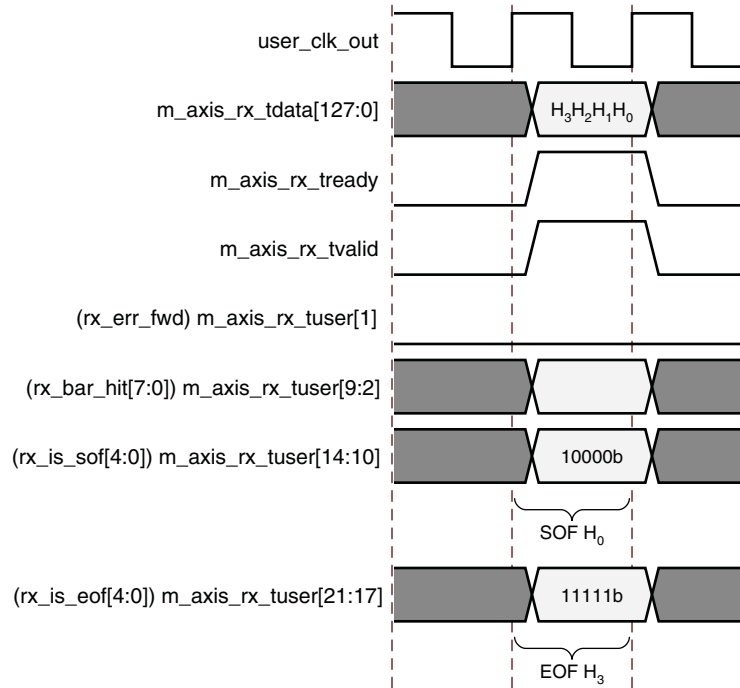


Figure 3-43: TLP 4-DWORD Header without Payload

Figure 3-44 shows a 3-DW TLP header with a data payload; an example is a 32-bit addressable Memory Write request. When the core asserts (rx_is_eof[4]) m_axis_rx_tuser[21], it also places a value of 1111b on (rx_is_eof[3:0]) m_axis_rx_tuser[20:17], notifying the user that EOF occurs on byte 15 (DWORD 3) and m_axis_rx_tdata[127:0] contains valid data.

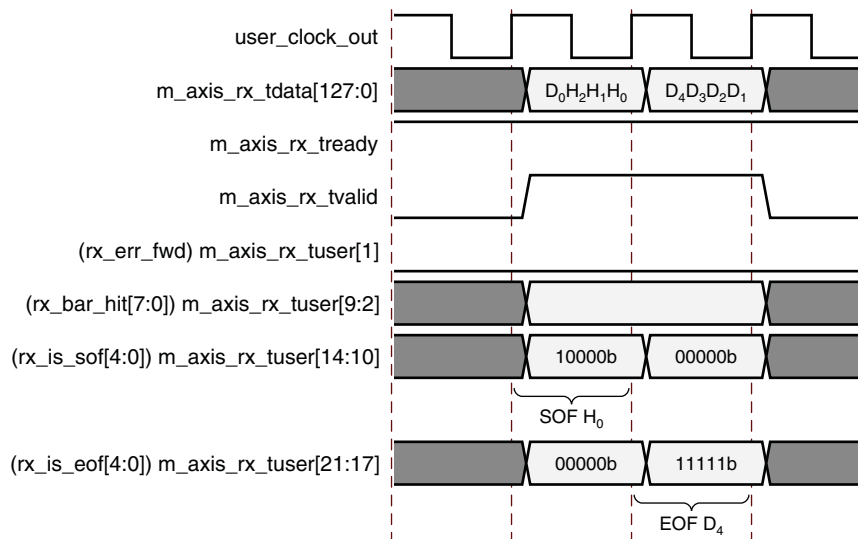


Figure 3-44: TLP 3-DWORD Header with Payload

Figure 3-45 shows a 4-DWORD TLP header with a data payload; an example is a 64-bit addressable Memory Write request. When the core asserts (rx_is_eof[4])

m_axis_rx_tuser[21], it also places a value of 0011b on (rx_is_eof[3:0]) m_axis_rx_tuser[20:17], notifying the user that EOF occurs on byte 3 (DWORD 0) and only m_axis_rx_tdata[31:0] contains valid data.

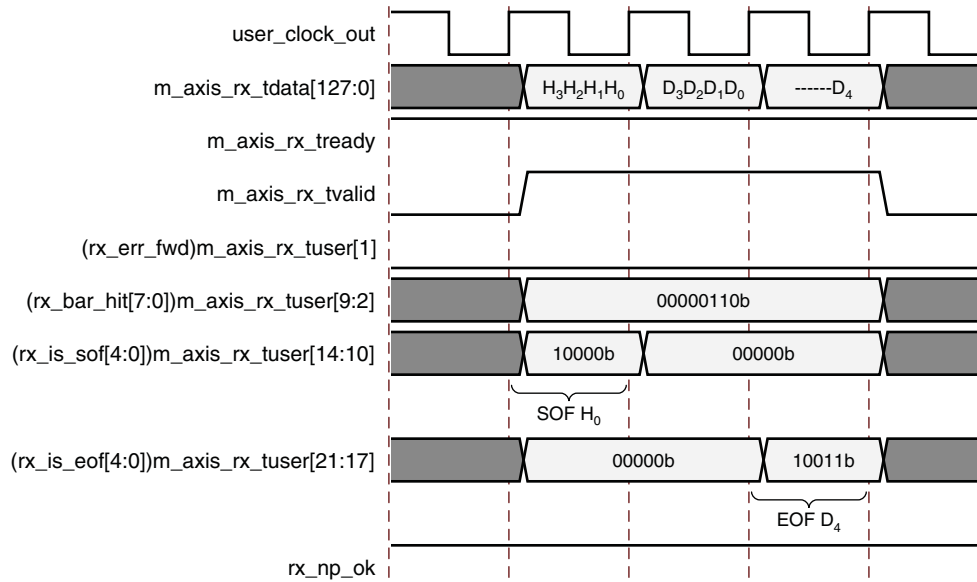


Figure 3-45: TLP 4-DWORD Header with Payload

Throttling the Datapath on the Receive Interface

The User Application can stall the transfer of data from the core at any time by deasserting m_axis_rx_tready. If the user deasserts m_axis_rx_tready while no transfer is in progress and if a TLP becomes available, the core asserts m_axis_rx_tvalid and (rx_is_sof[4]) m_axis_rx_tuser[14] and presents the first TLP DQWORD on m_axis_rx_tdata[127:0]. The core remains in this state until the user asserts m_axis_rx_tready to signal the acceptance of the data presented on m_axis_rx_tdata[127:0]. At that point, the core presents subsequent TLP DQWORDS as long as m_axis_rx_tready remains asserted. If the user deasserts m_axis_rx_tready during the middle of a transfer, the core stalls the transfer of data until the user asserts m_axis_rx_tready again. There is no limit to the number of cycles the user can keep m_axis_rx_tready deasserted. The core pauses until the user is again ready to receive TLPs.

Figure 3-46 illustrates the core asserting m_axis_rx_tvalid and (rx_is_sof[4]) m_axis_rx_tuser[14] along with presenting data on m_axis_rx_tdata[127:0]. The User Application logic inserts wait states by deasserting m_axis_rx_tready. The core does not present the next TLP DQWORD until it detects m_axis_rx_tready assertion. The User Application logic can assert or deassert m_axis_rx_tready as required to balance receipt of new TLP transfers with the rate of TLP data processing inside the application logic.

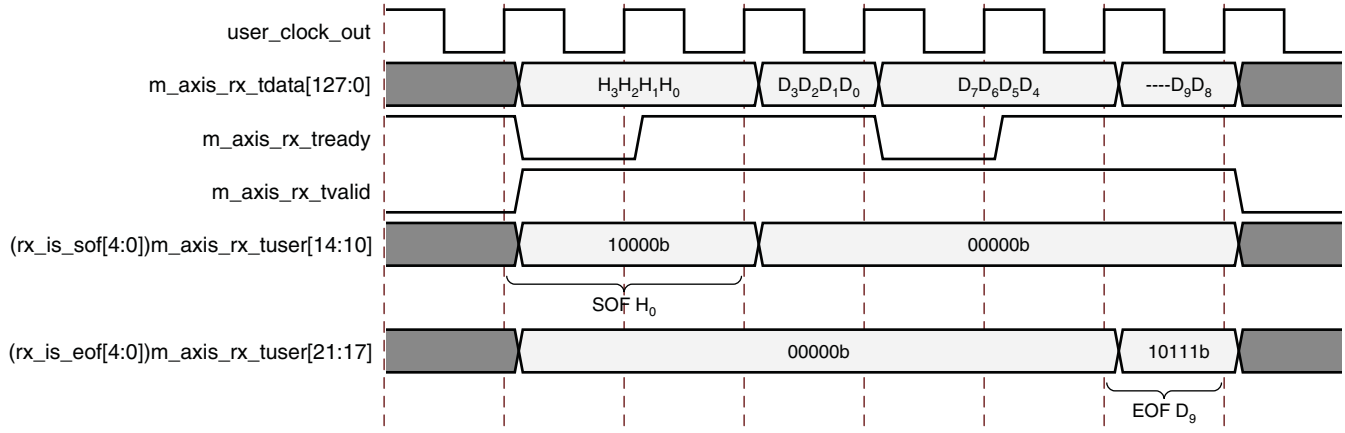


Figure 3-46: User Application Throttling Receive TLP

Receiving Back-to-Back Transactions on the Receive Interface

The User Application logic must be designed to handle presentation of back-to-back TLPs on the receive AXI4-Stream interface by the core. The core can assert (rx_is_sof[4]) m_axis_rx_tuser[14] for a new TLP at the clock cycle after (rx_is_eof[4]) m_axis_rx_tuser[21] assertion for the previous TLP. Figure 3-47 illustrates back-to-back TLPs presented on the receive interface.

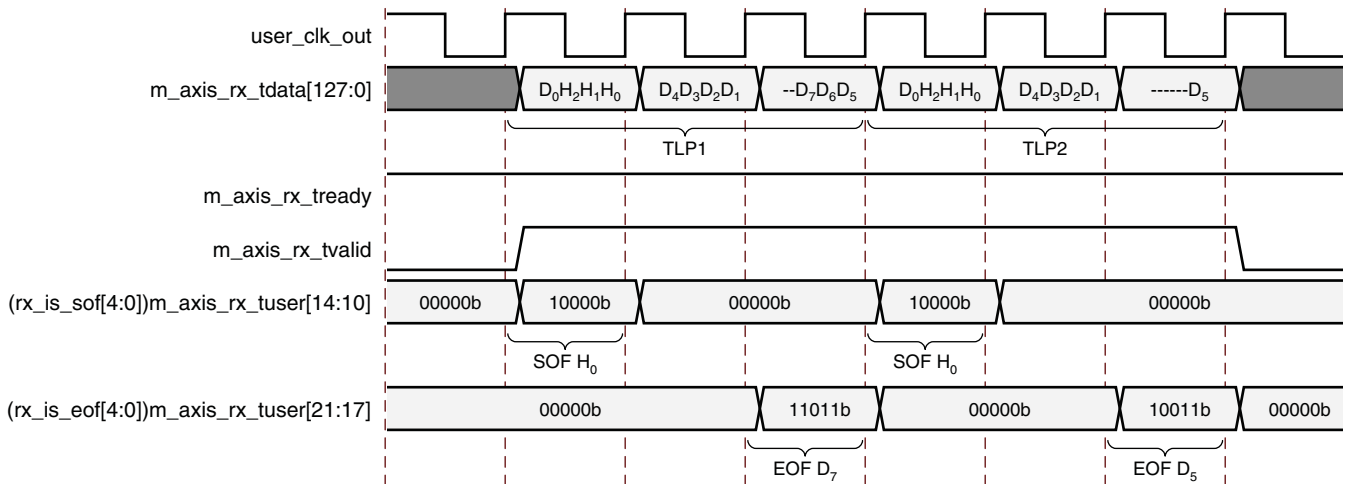


Figure 3-47: Receive Back-to-Back Transactions

If the User Application cannot accept back-to-back packets, it can stall the transfer of the TLP by deasserting m_axis_rx_tready as discussed in the [Throttling the Datapath on the Receive Interface](#) section. Figure 3-48 shows an example of using m_axis_rx_tready to pause the acceptance of the second TLP.

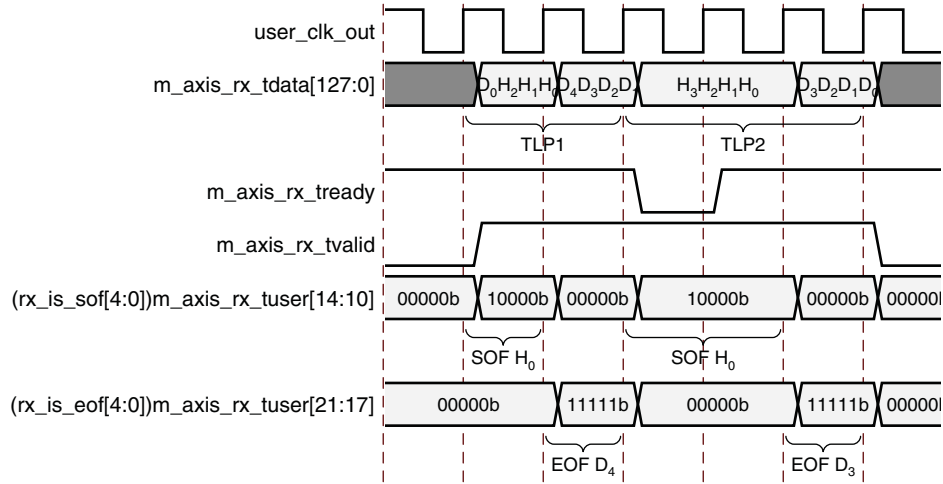


Figure 3-48: User Application Throttling Back-to-Back TLPs

Receiving Straddled Packets on the Receive AXI4-Stream Interface

The User Application logic must be designed to handle presentation of straddled TLPs on the receive AXI4-Stream interface by the core. The core can assert (rx_is_sof[4]) m_axis_rx_tuser[14] for a new TLP on the same clock cycle as (rx_is_eof[4]) m_axis_rx_tuser[21] for the previous TLP, when the previous TLP ends in the lower QWORD. Figure 3-49 illustrates straddled TLPs presented on the receive interface.

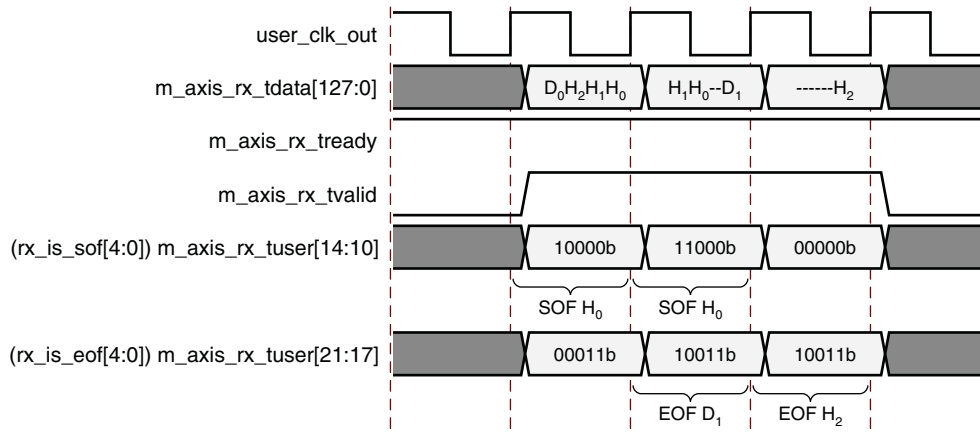


Figure 3-49: Receive Straddled Transactions

In Figure 3-49, the first packet is a 3-DWORD packet with 64 bits of data and the second packet is a 3-DWORD packet that begins on the lower QWORD portion of the bus. In the figure, assertion of (rx_is_eof[4]) m_axis_rx_tuser[21] and (rx_is_eof[3:0]) m_axis_rx_tuser[20:17] = 0011b indicates that the EOF of the previous TLP occurs in bits [31:0].

Packet Re-ordering on the Receive AXI4-Stream Interface

Transaction processing in the core receiver is fully compliant with the PCI transaction ordering rules. The transaction ordering rules allow Posted and Completion TLPs to bypass blocked Non-Posted TLPs.

The 7 Series FPGAs Integrated Block for PCI Express provides two mechanisms for User Applications to manage their Receiver Non-Posted Buffer space. The first of the two mechanisms, *Receive Non-Posted Throttling*, is the use of rx_np_ok to prevent the 7 Series FPGAs Integrated Block for PCI Express core from presenting more than two Non-Posted requests after deassertion of the rx_np_ok signal. The second mechanism, *Receive Request for Non-Posted*, allows user-controlled Flow Control of the Non-Posted queue, using the rx_np_req signal.

The Receive Non-Posted Throttling mechanism assumes that the User Application normally has space in its receiver for non-Posted TLPs and the User Application would throttle the core specifically for Non-Posted requests. The Receive Request for Non-Posted mechanism assumes that the User Application requests the core to present a Non-Posted TLP as and when it has space in its receiver. The two mechanisms are mutually exclusive, and only one can be active for a design. This option must be selected while generating and customizing the core. When the Receive Non-Posted Request option is selected in the Advanced Settings, the Receive Request for Non-Posted mechanism is enabled and any assertion/deassertion of rx_np_ok is ignored and vice-versa. The two mechanisms are described in further detail in the next subsections.

- Receive Non-Posted Throttling (Receive Non-Posted Request Disabled)

If the User Application can receive Posted and Completion Transactions from the core, but is not ready to accept Non-Posted Transactions, the User Application can deassert rx_np_ok, as shown in [Figure 3-50](#). The User Application must deassert rx_np_ok at least one clock cycle before (rx_is_eof[4]) m_axis_rx_tuser[21] of the second-to-last Non-Posted TLP the user can accept. When rx_np_ok is deasserted, received Posted and Completion Transactions pass Non-Posted Transactions. After the User Application is ready to accept Non-Posted Transactions, it must reassert rx_np_ok. Previously bypassed Non-Posted Transactions are presented to the User Application before other received TLPs.

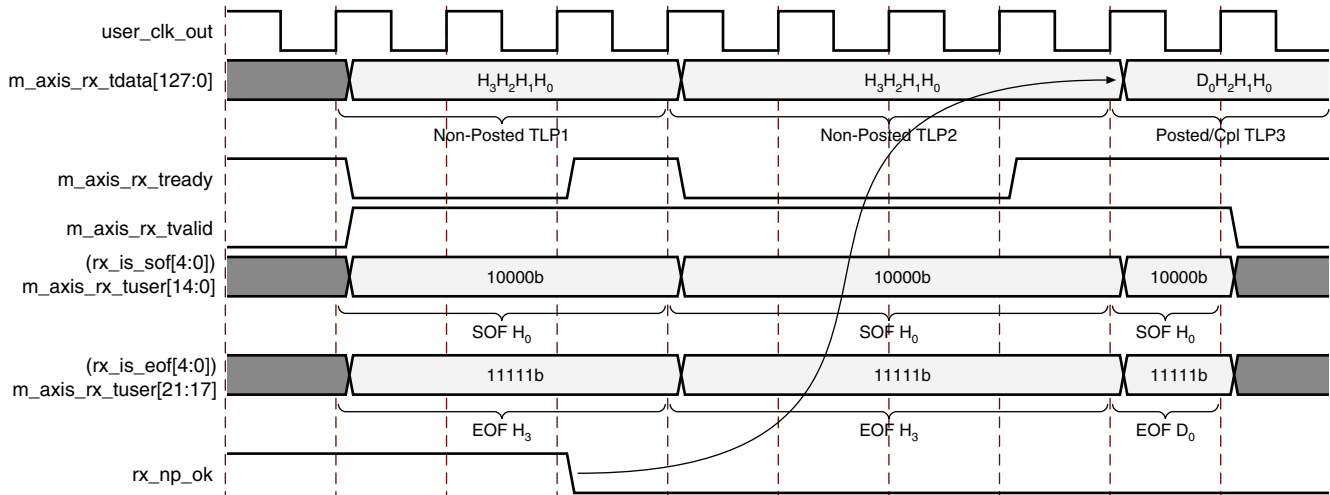


Figure 3-50: Receive Interface Non-Posted Throttling

Packet re-ordering allows the User Application to optimize the rate at which Non-Posted TLPs are processed, while continuing to receive and process Posted and Completion TLPs in a non-blocking fashion. The rx_np_ok signaling restrictions require that the User Application be able to receive and buffer at least three Non-Posted TLPs. This algorithm describes the process of managing the Non-Posted TLP buffers:

Consider that Non-Posted_Buffers_Available denotes the size of Non-Posted buffer space available to User Application. The size of the Non-Posted buffer space is greater than three Non-Posted TLPs. Non-Posted_Buffers_Available is decremented when a Non-Posted TLP is accepted for processing from the core, and is incremented when the Non-Posted TLP is drained for processing by the User Application.

```

For every clock cycle do {
  if (Non-Posted_Buffers_Available <= 3) {
    if (Valid transaction Start-of-Frame accepted by user application) {
      Extract TLP Format and Type from the 1st TLP DW
      if (TLP type == Non-Posted) {
        Deassert rx_np_ok on the following clock cycle
        - or -
        Other optional user policies to stall NP transactions
      } else {
      }
    }
  } else { // Non-Posted_Buffers_Available > 3
    Assert rx_np_ok on the following clock cycle.
  }
}

```

- Receive Request for Non-Posted (Receive Non-Posted Request Enabled)

The 7 Series FPGAs Integrated Block for PCI Express allows the User Application to control Flow Control Credit return for the Non-Posted queue using the rx_np_req signal. When the User Application has space in its receiver to receive a Non-Posted Transaction, it must assert rx_np_req for one clock cycle for every Non-Posted Transaction that the

User Application can accept. This enables the integrated block to present one Non-Posted transaction from its receiver queues to the Core Transaction interface, as shown in Figure 3-51 and return one Non-Posted Credit to the connected Link partner.

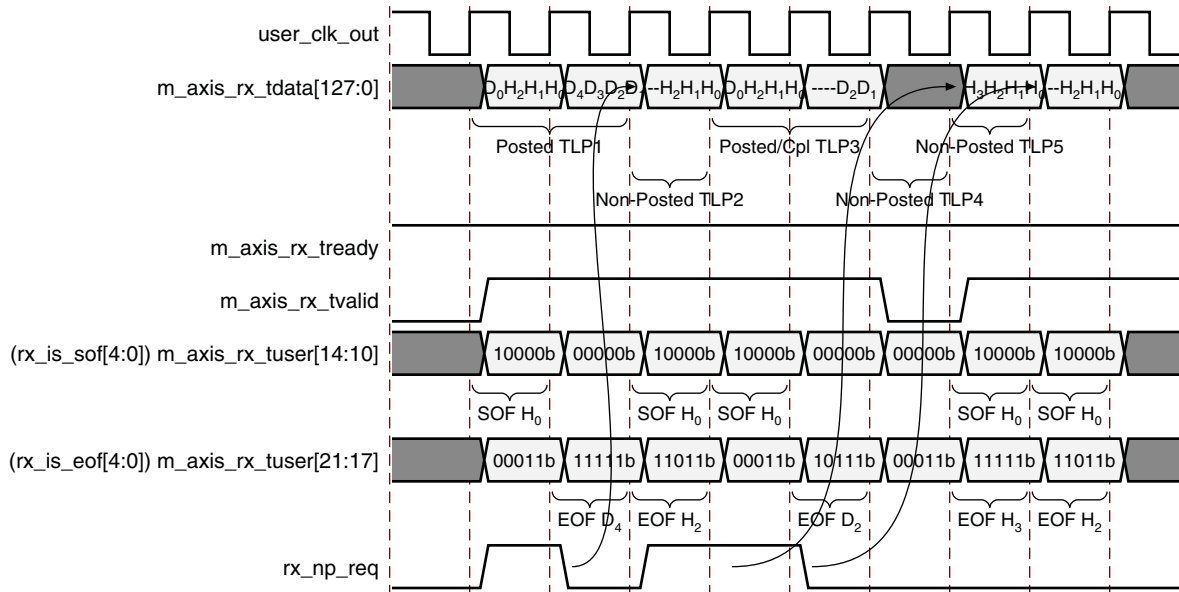


Figure 3-51: Receive Interface Request for Non-Posted Transaction

The 7 Series FPGAs Integrated Block for PCI Express maintains a count of up to 12 Non-Posted Requests from the User Application. In other words, the core remembers assertions of rx_np_req even if no Non-Posted TLPs are present in the receive buffer and presents received Non-Posted TLPs to the user, if requests have been previously made by the User Application. If the core has no outstanding requests from the User Application and received Non-Posted TLPs are waiting in the receive buffer, received Posted and Completion Transactions pass the waiting Non-Posted Transactions. After the user is ready to accept a Non-Posted TLP, asserting rx_np_req for one or more cycles causes that number of waiting Non-Posted TLPs to be delivered to the user at the next available TLP boundary. In other words, any Posted or Completion TLP currently on the user application interface finishes before waiting Non-Posted TLPs are presented to the user application. If there are no Posted or Completion TLPs being presented to the user and a Non-Posted TLP is waiting, assertion of rx_np_req causes the Non-Posted TLP to be presented to the user. TLPs are delivered to the User Application in order except when the user is throttling Non-Posted TLPs, allowing Posted and Completion TLPs to pass. When the user starts accepting Non-Posted TLPs again, ordering is still maintained with any subsequent Posted or Completion TLPs. If the User Application can accept all Non-Posted Transactions as they are received and does not care about controlling the Flow Control Credit return for the Non-Posted queue, the user should keep this signal asserted.

Packet Data Poisoning and TLP Digest on the Receive AXI4-Stream Interface

To simplify logic within the User Application, the core performs automatic pre-processing based on values of TLP Digest (TD) and Data Poisoning (EP) header bit fields on the received TLP.

All received TLPs with the Data Poisoning bit in the header set (EP = 1) are presented to the user. The core asserts the (rx_err_fwd) m_axis_rx_tuser[1] signal for the duration of each poisoned TLP, as illustrated in Figure 3-52.

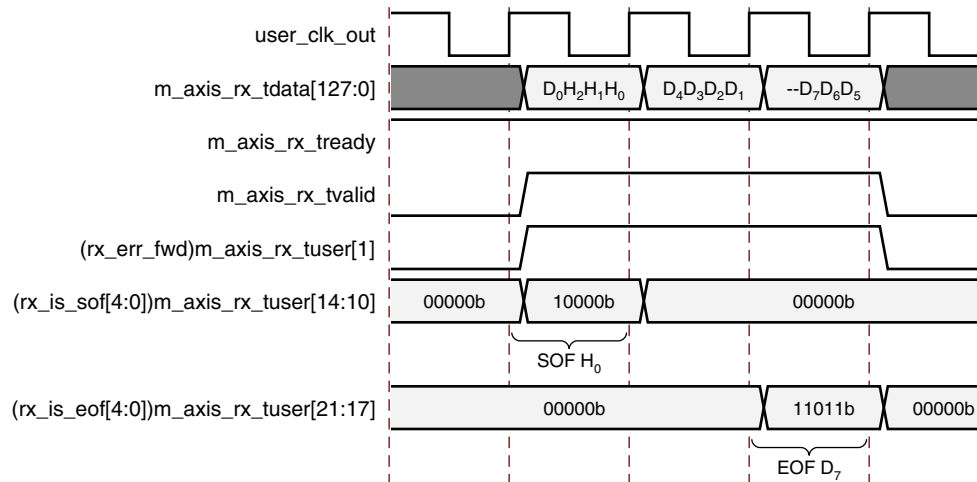


Figure 3-52: Receive Transaction Data Poisoning

If the TLP Digest bit field in the TLP header is set (TD = 1), the TLP contains an End-to-End CRC (ECRC). The core performs these operations based on how the user configured the core during core generation:

- If the Trim TLP Digest option is on, the core removes and discards the ECRC field from the received TLP and clears the TLP Digest bit in the TLP header.
- If the Trim TLP Digest option is off, the core does not remove the ECRC field from the received TLP and presents the entire TLP including TLP Digest to the User Application receiver interface.

See Chapter 4, Customizing and Generating the Core (Vivado™ Design Suite) or Chapter 10, Customizing and Generating the Core (ISE® Design Suite) for more information about how to enable the Trim TLP Digest option during core generation.

ECRC Error on the 128-Bit Receive AXI4-Stream Interface

The 7 Series FPGAs Integrated Block for PCI Express core checks the ECRC on incoming transaction packets, when ECRC checking is enabled in the core. When it detects an ECRC error in a transaction packet, the core signals this error to the user by simultaneously asserting m_axis_rx_tuser[0] (rx_ecrc_err) and m_axis_rx_tuser[21:17] (rx_is_eof[4:0]), as illustrated in Figure 3-53.

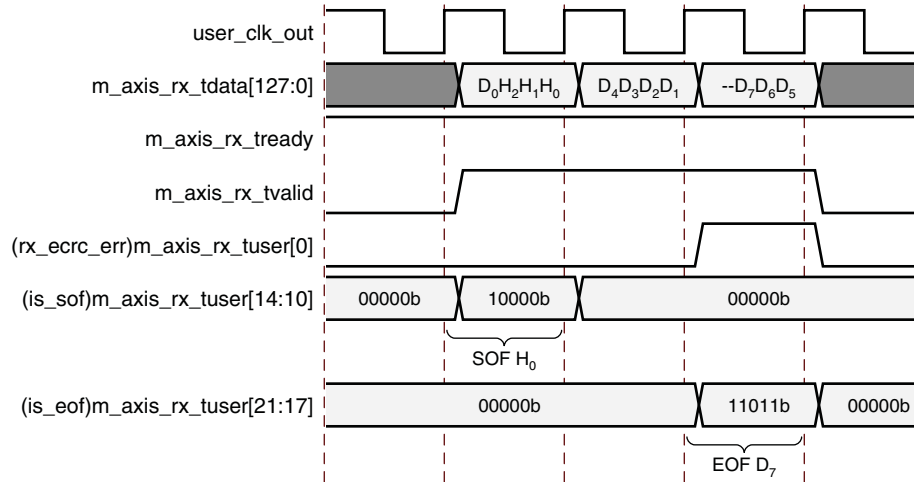


Figure 3-53: ECRC Error on 128-Bit Receive AXI4-Stream Interface

Packet Base Address Register Hit on the Receive AXI4-Stream Interface

The core decodes incoming Memory and I/O TLP request addresses to determine which Base Address Register (BAR) in the core's Type0 configuration space is being targeted, and indicates the decoded base address on $(rx_bar_hit[7:0])$ $m_axis_rx_tuser[8:2]$. For each received Memory or I/O TLP, a minimum of one and a maximum of two (adjacent) bit(s) are set to 0. If the received TLP targets a 32-bit Memory or I/O BAR, only one bit is asserted. If the received TLP targets a 64-bit Memory BAR, two adjacent bits are asserted. If the core receives a TLP that is not decoded by one of the BARs, then the core drops it without presenting it to the user, and it automatically generates an Unsupported Request message. Even if the core is configured for a 64-bit BAR, the system might not always allocate a 64-bit address, in which case only one $rx_bar_hit[7:0]$ signal is asserted.

Table 3-10 illustrates mapping between $rx_bar_hit[7:0]$ and the BARs, and the corresponding byte offsets in the core Type0 configuration header.

Table 3-10: rx_bar_hit to Base Address Register Mapping

$rx_bar_hit[x]$	$m_axis_rx_tuser[x]$	BAR	Byte Offset
0	2	0	10h
1	3	1	14h
2	4	2	18h
3	5	3	1Ch
4	6	4	20h
5	7	5	24h
6	8	Expansion ROM BAR	30h
7	9	Reserved	-

For a Memory or I/O TLP Transaction on the receive interface, $rx_bar_hit[7:0]$ is valid for the entire TLP, starting with the assertion of $(rx_is_sof[4])$ $m_axis_rx_tuser[14]$, as shown in

Figure 3-54. For straddled data transfer beats, rx_bar_hit[7:0] corresponds to the new packet (the packet corresponding to rx_is_sof[4]). When receiving non-Memory and non-I/O transactions, rx_bar_hit[7:0] is undefined.

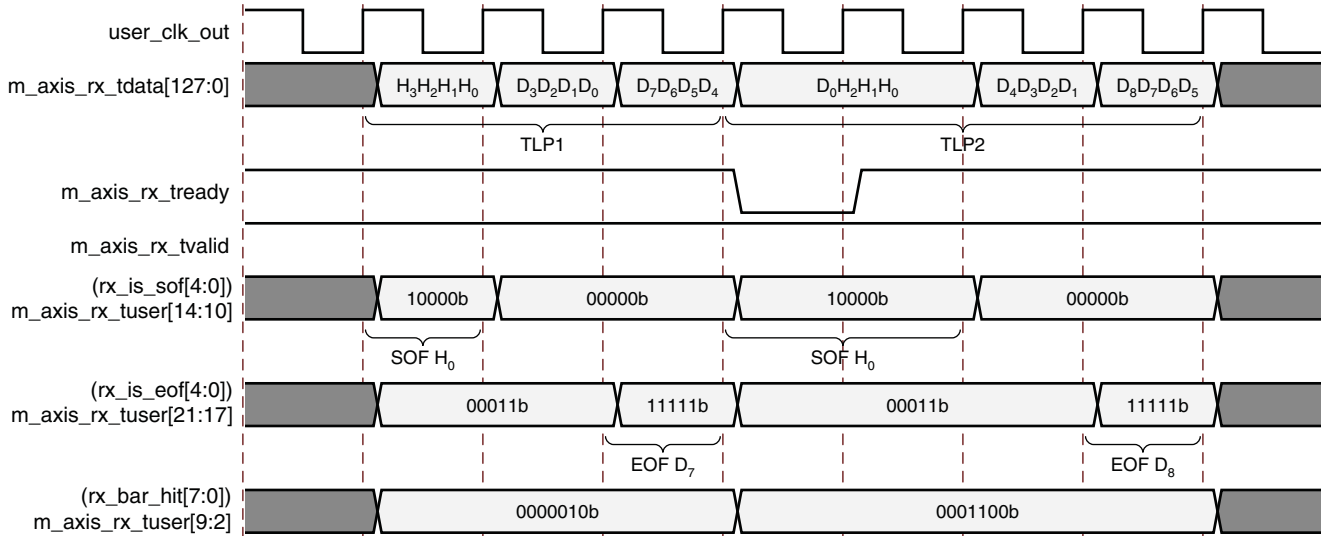


Figure 3-54: BAR Target Determination Using rx_bar_hit

The (rx_bar_hit[7:0]) m_axis_rx_tuser[9:2] signal enables received Memory and I/O transactions to be directed to the appropriate destination apertures within the User Application. By utilizing rx_bar_hit[7:0], application logic can inspect only the lower order Memory and I/O address bits within the address aperture to simplify decoding logic.

Packet Transfer Discontinue on the Receive AXI4-Stream Interface

The loss of communication with the link partner is signaled by deassertion of user_lnk_up. When user_lnk_up is deasserted, it effectively acts as a Hot Reset to the entire core and all TLPs stored inside the core or being presented to the receive interface are irrecoverably lost. A TLP in progress on the Receive AXI4-Stream interface is presented to its correct length, according to the Length field in the TLP header. However, the TLP is corrupt and should be discarded by the User Application. Figure 3-55 illustrates packet transfer discontinue scenario.

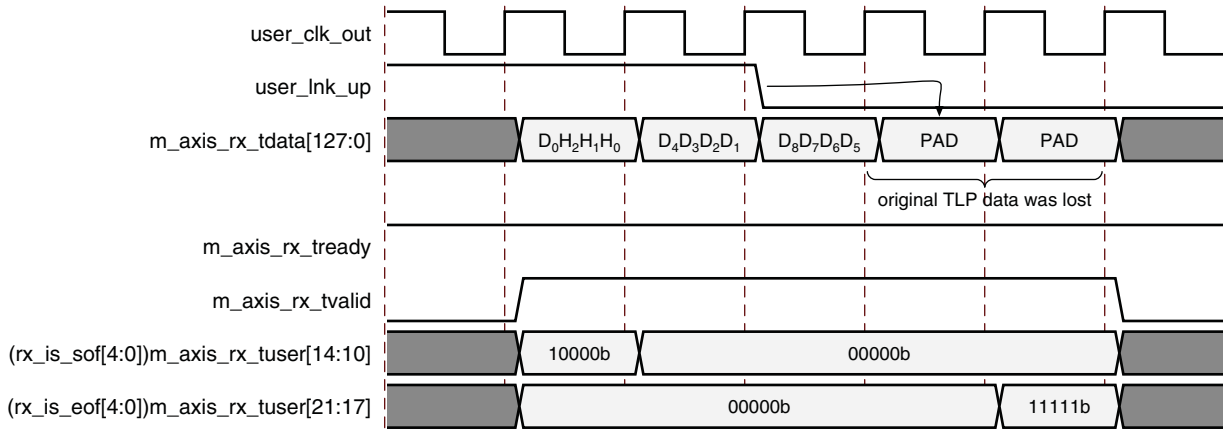


Figure 3-55: Receive Transaction Discontinue

Transaction Processing on the Receive AXI4-Stream Interface

Transaction processing in the 7 Series FPGAs Integrated Block for PCI Express is fully compliant with the PCI Express Received TLP handling rules, as specified in the *PCI Express Base Specification, rev. 2.1* [Ref 2].

The 7 Series FPGAs Integrated Block for PCI Express performs checks on received Transaction Layer Packets (TLPs) and passes valid TLPs to the User Application. It handles erroneous TLPs in the manner indicated in Table 3-11 and Table 3-12. Any errors associated with a TLP that are presented to the User Application for which the core does not check must be signaled by the User Application logic using the `cfg_err_*` interface.

Table 3-11 and Table 3-12 describe the packet disposition implemented in the 7 Series FPGAs Integrated Block for PCI Express based on received TLP type and condition of core/ TLP error for the Endpoint and Root Port configurations.

Table 3-11: TLP Disposition on the Receive AXI4-Stream Interface: Endpoint

TLP Type	Condition of Core or TLP Error		Core Response to TLP
Memory Read Memory Write Atomic Ops I/O Read I/O Write	BAR Miss		Unsupported Request
	Received when in Non-D0 PM State		Unsupported Request
	Neither of the above conditions		TLP presented to User Application
Memory Read Locked	Received by a non-Legacy PCI Express Endpoint		Unsupported Request
	Legacy Endpoint	BAR Miss	Unsupported Request
		Received when in Non-D0 PM State	Unsupported Request
		Neither of above conditions	TLP presented to User Application

Table 3-11: TLP Disposition on the Receive AXI4-Stream Interface: Endpoint (Cont'd)

TLP Type		Condition of Core or TLP Error	Core Response to TLP
Configuration Read/Write Type 0		Internal Config Space	TLP consumed by the core, to read/write internal Configuration Space and a CplID/ Cpl is generated
		User-Defined Config Space	TLP presented to User Application
Configuration Read/Write Type 1		Received by an Endpoint	Unsupported Request
Completion Completion Locked		Requester ID Miss	Unexpected Completion
		Received when in Non-D0 PM State	Unexpected Completion
		Neither of above conditions	TLP presented to User Application
Messages	Set Slot Power Limit	Received by an Endpoint	TLP consumed by the core and used to program the Captured Slot Power Limit Scale/Value fields of the Device Capabilities Register
	PM_PME PME_TO_Ack	Received by an Endpoint	Unsupported Request
	PM_Active_State_NAK PME_Turn_Off	Received by an Endpoint	TLP consumed by the core and used to control Power Management
	Unlock	Received by a non-Legacy Endpoint	Ignored
		Received by a Legacy Endpoint	TLP presented to User Application ⁽¹⁾
	INTX	Received by an Endpoint	Fatal Error
	Error_Fatal Error Non-Fatal Error Correctable	Received by an Endpoint	Unsupported Request
	Vendor Defined Type 0 Vendor Defined Type 1	Received by an Endpoint	TLP presented to User Application ⁽¹⁾
Hot Plug Messages	Received by an Endpoint	TLP dropped by the core	

Notes:

1. The TLP is indicated on the cfg_msg* interface and also appears on the m_axis_rx_* interface.

Table 3-12: TLP Disposition on the Receive AXI4-Stream Interface: Root Port

TLP Type	Condition of Core or TLP Error	Core Response to TLP
Memory Read Memory Write Atomic Ops I/O Read I/O Write	BAR Miss	No BAR Filtering in Root Port configuration: TLP presented to User Application
	Received when in Non-D0 PM State	Unsupported Request
	Neither of the above conditions	TLP presented to User Application
Memory Read Locked	Received by a Root Port	TLP presented to User Application

Table 3-12: TLP Disposition on the Receive AXI4-Stream Interface: Root Port (Cont'd)

TLP Type		Condition of Core or TLP Error	Core Response to TLP
Configuration Read / Write Type 0		Received by a Root Port	Unsupported Request
Configuration Read / Write Type 1		Received by a Root Port	Unsupported Request
Completion Completion Locked		Received by a Root Port	TLP presented to User Application
Messages	Set Slot Power Limit	Received by a Root Port	Unsupported Request
	PM_PME PME_TO_Ack	Received by a Root Port	TLP presented to User Application ⁽¹⁾
	PM_Active_State_NAK	Received by a Root Port	Unsupported Request
	PME_Turn_Off	Received by a Root Port	Fatal Error
	Unlock	Received by a Root Port	Fatal Error
	INTX	Received by a Root Port	TLP presented to User Application ⁽¹⁾
	Error_Fatal Error Non-Fatal Error Correctable	Received by a Root Port	TLP presented to User Application ⁽¹⁾
	Vendor Defined Type 0 Vendor Defined Type 1	Received by a Root Port	TLP presented to User Application ⁽¹⁾
	Hot Plug Messages	Received by a Root Port	TLP dropped by the core

Notes:

1. The TLP is indicated on the `cfg_msg*` interface and also appears on the `m_axis_rx*` interface *only if* enabled in the GUI.

Atomic Operations

The 7 Series FPGAs Integrated Block for PCI Express supports both sending and receiving Atomic operations (Atomic Ops) as defined in the *PCI Express Base Specification v2.1*. The specification defines three TLP types that allow advanced synchronization mechanisms amongst multiple producers and/or consumers. The integrated block treats Atomic Ops TLPs as Non-Posted Memory Transactions. The three TLP types are:

- FetchAdd
- Swap
- CAS (Compare And Set)

Applications that request Atomic Ops must create the TLP in the User Application and send via the transmit AXI4-Stream interface. Applications that respond (complete) to Atomic Ops must receive the TLP from the receive AXI4-Stream interface, create the appropriate completion TLP in the User Application, and send the resulting completion via the transmit AXI4-Stream interface.

Core Buffering and Flow Control

Maximum Payload Size

TLP size is restricted by the capabilities of both link partners. After the link is trained, the root complex sets the MAX_PAYLOAD_SIZE value in the Device Control register. This value is equal to or less than the value advertised by the core's Device Capability register. The advertised value in the Device Capability register of the Integrated Block core is either 128, 256, 512, or 1024 bytes, depending on the setting in the CORE Generator™ tool (1024 is not supported for the 8-lane, 5.0 Gb/s 128-bit core). For more information about these registers, see section 7.8 of the *PCI Express Base Specification* [Ref 2]. The value of the core's Device Control register is provided to the User Application on the `cfg_dcommand[15:0]` output. See [Design with Configuration Space Registers and Configuration Interface](#), page 110 for information about this output.

Transmit Buffers

The Integrated Block for PCI Express transmit AXI4-Stream interface provides `tx_buf_av`, an instantaneous indication of the number of Max_Payload_Size buffers available for use in the transmit buffer pool. [Table 3-13](#) defines the number of transmit buffers available and maximum supported payload size for a specific core.

Table 3-13: Transmit Buffers Available

Capability Max Payload Size (Bytes)	Performance Level ⁽¹⁾	
	Good (Minimize Block RAM Usage)	High (Maximize Performance)
128	26	32
256	14	29
512	15	30
1024 ⁽²⁾	15	31

Notes:

1. Performance level is set through a CORE Generator tool GUI selection.
2. 1024 is not supported for the 8-lane, 5.0 Gb/s, 128-bit core.

Each buffer can hold one maximum sized TLP. A maximum sized TLP is a TLP with a 4-DWORD header plus a data payload equal to the MAX_PAYLOAD_SIZE of the core (as defined in the Device Capability register) plus a TLP Digest. After the link is trained, the root complex sets the MAX_PAYLOAD_SIZE value in the Device Control register. This value is equal to or less than the value advertised by the core's Device Capability register. For more information about these registers, see section 7.8 of the *PCI Express Base Specification*. A TLP is held in the transmit buffer of the core until the link partner acknowledges receipt of the packet, at which time the buffer is released and a new TLP can be loaded into it by the User Application.

For example, if the Capability Max Payload Size selected for the Endpoint core is 256 bytes, and the performance level selected is high, there are 29 total transmit buffers. Each of these buffers can hold at a maximum one 64-bit Memory Write Request (4-DWORD header) plus 256 bytes of data (64 DWORDs) plus TLP Digest (one DWORD) for a total of 69 DWORDs. This example assumes the root complex sets the MAX_PAYLOAD_SIZE register of the Device Control register to 256 bytes, which is the maximum capability advertised by this core. For this reason, at any given time, this core could have 29 of these 69 DWORD TLPs waiting for transmittal. There is no sharing of buffers among multiple TLPs, so even if user is sending smaller TLPs such as 32-bit Memory Read request with no TLP Digest totaling three DWORDs only per TLP, each transmit buffer still holds only one TLP at any time.

The internal transmit buffers are shared between the User Application and the core's configuration management module (CMM). Because of this, the tx_buf_av bus can fluctuate even if the User Application is not transmitting packets. The CMM generates completion TLPs in response to configuration reads or writes, interrupt TLPs at the request of the User Application, and message TLPs when needed.

The Transmit Buffers Available indication enables the User Application to completely utilize the PCI transaction ordering feature of the core transmitter. The transaction ordering rules allow for Posted and Completion TLPs to bypass Non-Posted TLPs. See section 2.4 of the *PCI Express Base Specification* [Ref 2] for more information about ordering rules.

The core supports the transaction ordering rules and promotes Posted and Completion packets ahead of blocked Non-Posted TLPs. Non-Posted TLPs can become blocked if the link partner is in a state where it momentarily has no Non-Posted receive buffers available, which it advertises through Flow Control updates. In this case, the core promotes Completion and Posted TLPs ahead of these blocked Non-Posted TLPs. However, this can only occur if the Completion or Posted TLP has been loaded into the core by the User Application. By monitoring the tx_buf_av bus, the User Application can ensure there is at least one free buffer available for any Completion or Posted TLP. Promotion of Completion and Posted TLPs only occurs when Non-Posted TLPs are blocked; otherwise packets are sent on the link in the order they are received from the User Application.

Receiver Flow Control Credits Available

The Integrated Block for PCI Express provides the User Application information about the state of the receiver buffer pool queues. This information represents the current space available for the Posted, Non-Posted, and Completion queues.

One Header Credit is equal to either a 3- or 4-DWORD TLP Header and one Data Credit is equal to 16 bytes of payload data. [Table 3-14](#) provides values on credits available immediately after user_lnk_up assertion but before the reception of any TLP. If space available for any of the above categories is exhausted, the corresponding credit available signals indicate a value of zero. Credits available return to initial values after the receiver has drained all TLPs.

Table 3-14: Transaction Receiver Credits Available Initial Values

Credit Category	Performance Level	Capability Maximum Payload Size			
		128 Byte	256 Byte	512 Byte	1024 Byte
Non-Posted Header	Good	12			
	High				
Non-Posted Data	Good	12			
	High				
Posted Header	Good	32			
	High				
Posted Data	Good	77	77	154	308
	High	154	154	308	616
Completion Header	Good	36			
	High				
Completion Data	Good	77	77	154	308
	High	154	154	308	616

The User Application can use the `fc_ph[7:0]`, `fc_pd[11:0]`, `fc_nph[7:0]`, `fc_npd[11:0]`, `fc_cplh[7:0]`, `fc_cpdl[11:0]`, and `fc_sel[2:0]` signals to efficiently utilize and manage receiver buffer space available in the core and the core application. For additional information, see [Flow Control Credit Information](#).

Integrated Block for PCI Express Endpoint cores have a unique requirement where the User Application must use advanced methods to prevent buffer overflows when requesting Non-Posted Read Requests from an upstream component. According to the specification, a PCI Express Endpoint is required to advertise infinite storage credits for Completion Transactions in its receivers. This means that Endpoints must internally manage Memory Read Requests transmitted upstream and not overflow the receiver when the corresponding Completions are received. The User Application transmit logic must use Completion credit information presented to modulate the rate and size of Memory Read requests, to stay within the instantaneous Completion space available in the core receiver. For additional information, see [Appendix C, Managing Receive-Buffer Space for Inbound Completions](#).

Flow Control Credit Information

Using the Flow Control Credit Signals

The integrated block provides the User Application with information about the state of the Transaction Layer transmit and receive buffer credit pools. This information represents the current space available, as well as the credit "limit" and "consumed" information for the Posted, Non-Posted, and Completion pools.

Table 2-7, page 19 defines the Flow Control Credit signals. Credit status information is presented on these signals:

- fc_ph[7:0]
- fc_pd[11:0]
- fc_nph[7:0]
- fc_npd[11:0]
- fc_cplh[7:0]
- fc_cpld[11:0]

Collectively, these signals are referred to as fc_*.

The fc_* signals provide information about each of the six credit pools defined in the *PCI Express Base Specification: Header and Data Credits for Each of Posted, Non-Posted, and Completion*.

Six different types of flow control information can be read by the User Application. The fc_sel[2:0] input selects the type of flow control information represented by the fc_* outputs. The Flow Control Information Types are shown in Table 3-15.

Table 3-15: Flow Control Information Types

fc_sel[2:0]	Flow Control Information Type
000	Receive Credits Available Space
001	Receive Credits Limit
010	Receive Credits Consumed
011	Reserved
100	Transmit Credits Available Space
101	Transmit Credit Limit
110	Transmit Credits Consumed
111	Reserved

The fc_sel[2:0] input can be changed on every clock cycle to indicate a different Flow Control Information Type. There is a two clock-cycle delay between the value of fc_sel[2:0] changing and the corresponding Flow Control Information Type being presented on the fc_* outputs for both 64-bit and 128-bit interface. Figure 3-56 illustrates the timing of the Flow Control Credits signals.

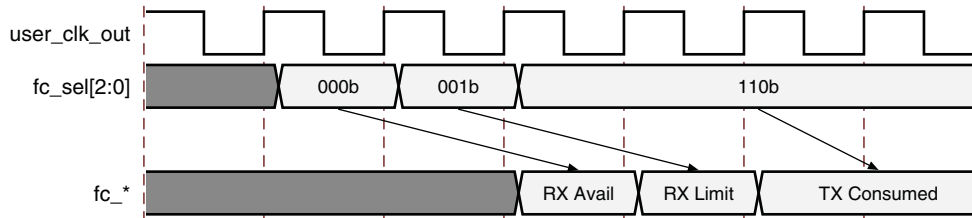


Figure 3-56: Flow Control Credits for the 64-Bit and 128-Bit Interfaces

The output values of the fc_* signals represent credit values as defined in the *PCI Express Base Specification* [Ref 2]. One Header Credit is equal to either a 3- or 4-DWORD TLP Header and one Data Credit is equal to 16 bytes of payload data. Initial credit information is available immediately after user_lnk_up assertion, but before the reception of any TLP. Table 3-16 defines the possible values presented on the fc_* signals. Initial credit information varies depending on the size of the receive buffers within the integrated block and the Link Partner.

Table 3-16: fc_* Value Definition

Header Credit Value	Data Credit Value	Meaning
00 - 7F	000 - 7FF	User credits
FF-80	FFF-800	Negative credits available ⁽¹⁾
7F	7FF	Infinite credits available ⁽¹⁾

Notes:

1. Only Transmit Credits Available Space indicate Negative or Infinite credits available.

Receive Credit Flow Control Information

Receive Credit Flow Control Information can be obtained by setting fc_sel[2:0] to 000b, 001b, or 010b. The Receive Credit Flow Control information indicates the current status of the receive buffers within the integrated block.

Receive Credits Available Space: fc_sel[2:0] = 000b

Receive Credits Available Space shows the credit space available in the integrated block’s Transaction Layer local receive buffers for each credit pool. If space available for any of the credit pools is exhausted, the corresponding fc_* signal indicates a value of zero. Receive Credits Available Space returns to its initial values after the User Application has drained all TLPs from the integrated block.

In the case where infinite credits have been advertised to the Link Partner for a specific Credit pool, such as Completion Credits for Endpoints, the User Application should use this value along with the methods described in [Appendix C, Managing Receive-Buffer Space for Inbound Completions](#), to avoid completion buffer overflow.

Receive Credits Limit: fc_sel[2:0] = 001b

Receive Credits Limit shows the credits granted to the link partner. The fc_* values are initialized with the values advertised by the integrated block during Flow Control initialization and are updated as a cumulative count as TLPs are read out of the Transaction Layer's receive buffers via the AXI4-Stream interface. This value is referred to as CREDITS_ALLOCATED within the *PCI Express Base Specification*.

In the case where infinite credits have been advertised for a specific credit pool, the Receive Buffer Credits Limit for that pool always indicates zero credits.

Receive Credits Consumed: $fc_sel[2:0] = 010b$

Receive Buffer Credits Consumed shows the credits consumed by the link partner (and received by the integrated block). The initial fc_* values are always zero and are updated as a cumulative count, as packets are received by the Transaction Layers receive buffers. This value is referred to as CREDITS_RECEIVED in the *PCI Express Base Specification*.

Transmit Credit Flow Control Information

Transmit Credit Flow Control Information can be obtained by setting $fc_sel[2:0]$ to 100b, 101b, or 110b. The Transmit Credit Flow Control information indicates the current status of the receive buffers within the Link Partner.

Transmit Credits Available Space: $fc_sel[2:0] = 100b$

Transmit Credits Available Space indicates the available credit space within the receive buffers of the Link Partner for each credit pool. If space available for any of the credit pools is exhausted, the corresponding fc_* signal indicates a value of zero or negative. Transmit Credits Available Space returns to its initial values after the integrated block has successfully sent all TLPs to the Link Partner.

If the value is negative, more header or data has been written into the integrated block's local transmit buffers than the Link Partner can currently consume. Because the block does not allow posted packets to pass completions, a posted packet that is written is not transmitted if there is a completion ahead of it waiting for credits (as indicated by a zero or negative value). Similarly, a completion that is written is not transmitted if a posted packet is ahead of it waiting for credits. The User Application can monitor the Transmit Credits Available Space to ensure that these temporary blocking conditions do not occur, and that the bandwidth of the PCI Express Link is fully utilized by only writing packets to the integrated block that have sufficient space within the Link Partner's Receive buffer. Non-Posted packets can always be bypassed within the integrated block; so, any Posted or Completion packet written passes Non-Posted packets waiting for credits.

The Link Partner can advertise infinite credits for one or more of the three traffic types. Infinite credits are indicated to the user by setting the Header and Data credit outputs to their maximum value as indicated in [Table 3-16](#).

Transmit Credits Limit: $fc_sel[2:0] = 101b$

Transmit Credits Limit shows the receive buffer limits of the Link Partner for each credit pool. The `fc_*` values are initialized with the values advertised by the Link Partner during Flow Control initialization and are updated as a cumulative count as Flow Control updates are received from the Link Partner. This value is referred to as `CREDITS_LIMIT` in the *PCI Express Base Specification* [Ref 2].

In the case where infinite credits have been advertised for a specific Credit pool, the Transmit Buffer Credits Limit always indicates zero credits for that pool.

Transmit Credits Consumed: `fc_sel[2:0] = 110b`

Transmit Credits Consumed show the credits consumed of the Receive Buffer of the Link Partner by the integrated block. The initial value is always zero and is updated as a cumulative count, as packets are transmitted to the Link Partner. This value is referred to as `CREDITS_CONSUMED` in the *PCI Express Base Specification*.

Designing with the Physical Layer Control and Status Interface

Physical Layer Control and Status enables the User Application to change link width and speed in response to data throughput and power requirements.

Design Considerations for a Directed Link Change

These points should be considered during a Directed Link Change:

- Link change operation must be initiated only when `user_lnk_up` is asserted and the core is in the L0 state, as indicated by the signal `pl_ltssm_state[5:0]`.
- Link Width Change should not be used when Lane Reversal is enabled.
- Target Link Width of a Link Width Change operation must be equal to or less than the width indicated by `pl_initial_link_width` output.
- When `pl_link_upcfg_cap` is set to `1b`, the PCI Express link is Upconfigure capable. This allows the link width to be varied between the Initial Negotiated Link Width and any smaller link width supported by both the Port and link partner (this is for link reliability or application reasons).
- If a link is not Upconfigure capable, the Negotiated link width can only be varied to a width less than the Negotiated Link Width that is supported by both the link partner and device.
- Before initiating a link speed change from 2.5 Gb/s to 5.0 Gb/s, the User Application must ensure that the link is 5.0 Gb/s (Gen2) capable (that is, `pl_link_gen2_cap` is `1b`) and the Link Partner is also Gen2 capable (`pl_link_partner_gen2_capable` is `1b`).
- A link width change that benefits the application must be initiated only when `cfg_lcommand[9]` (the Hardware Autonomous Width Disable bit) is `0b`. In addition, for both link speed and/or width change driven by application need, `pl_directed_link_auton` must be driven (`1b`). If the user wants the option to restore the

link width and speed to the original (higher) width and speed, the User Application should ensure that `pl_link_upcfg_cap` is 1b.

- If the User Application directs the link to a width not supported by the link partner, the resulting link width is the next narrower mutually supported link width. For example, an 8-lane link is directed to a 4-lane operation, but the link partner supports only 1-lane train down operations. So, this would result in a 1-lane operation.
- The Endpoint should initiate directed link change only when the device is in D0 power state (`cfg_pmcsr_powerstate[1:0] = 00b`).
- A retrain should not be initiated using directed link change pins (Root or Endpoint) or by setting the retrain bit (Root only), if the `cfg_pcie_link_state = 101b` (transitioning to/from PPM L1) or `110b` (transitioning to PPM L2/L3 Ready).
- To ease timing closure, it is permitted to check for the conditions specified above to be all simultaneously TRUE up to 16 user clock cycles before initiating a Directed Link Change. These conditions are:
 - `user_lnk_up == 1'b1`
 - `pl_ltssm_state[5:0] == 6'h16`
 - `cfg_lcommand[9] == 1'b0`
 - `cfg_pmcsr_powerstate[1:0] == 2'b00`
 - `cfg_pcie_link_state[2:0] != either 3'b101 or 3'b110`

Directed Link Width Change

Figure 3-57 shows the directed link width change process that must be implemented by the User Application. Here `target_link_width[1:0]` is the application-driven new link width request.

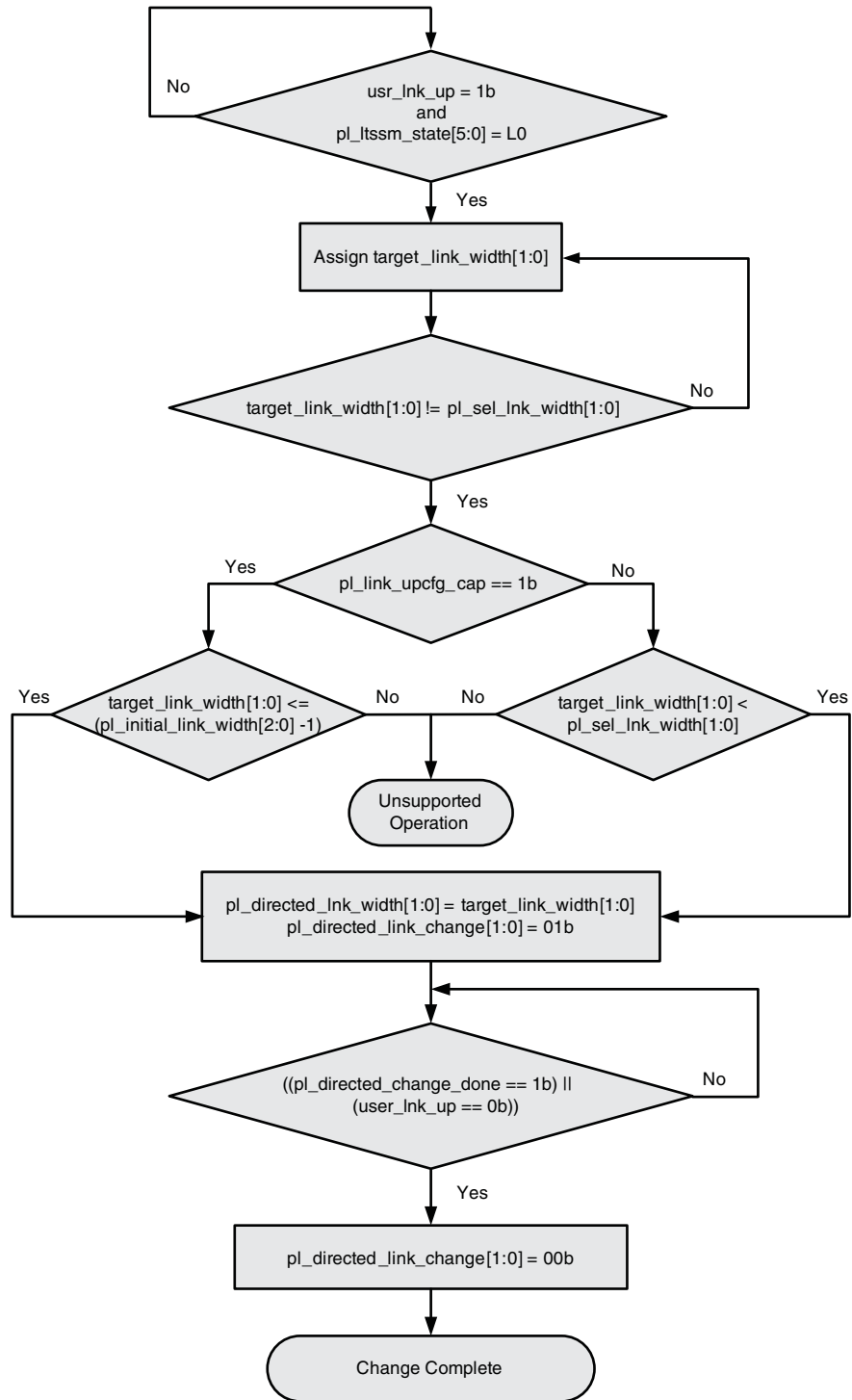


Figure 3-57: Directed Link Width Change

Directed Link Speed Change

Figure 3-58 shows the directed link speed change process that must be implemented by the User Application. Here target_link_speed is the application-driven new link speed request.

Note: A link speed change should not be initiated on a Root Port by driving the pl_directed_link_change pin to 10 or 11 unless the attribute RP_AUTO_SPD = 11.

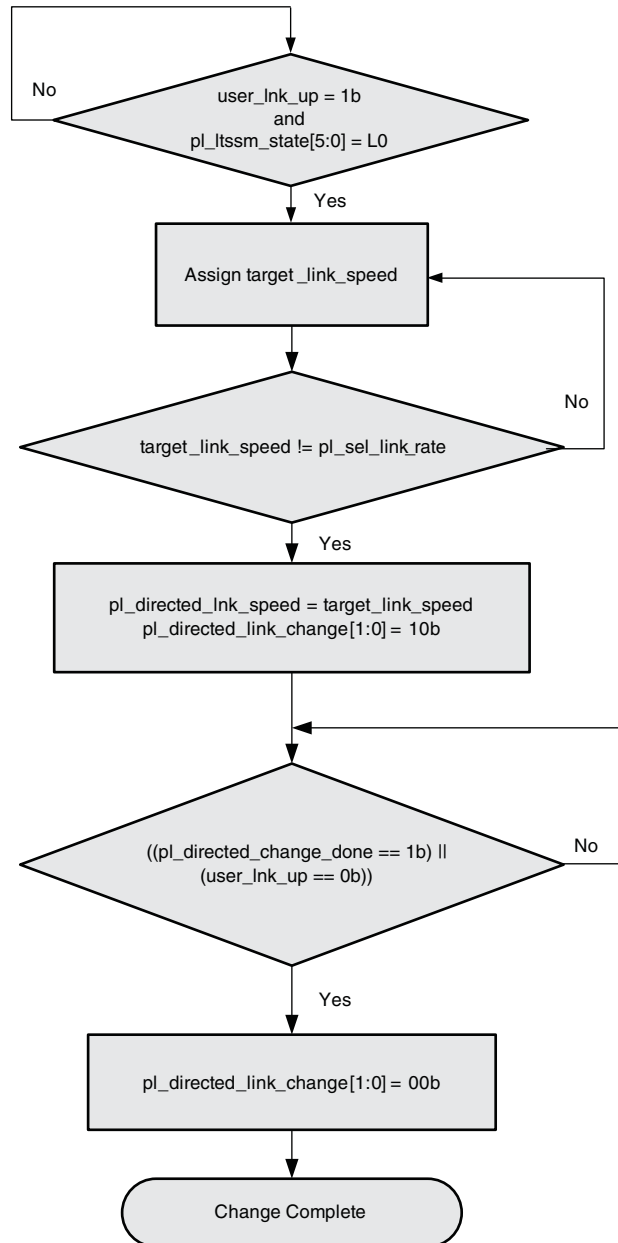


Figure 3-58: Directed Link Speed Change

Directed Link Width and Speed Change

Figure 3-59 shows the directed link width and speed change process that must be implemented by the User Application. Here `target_link_width[1:0]` is the application-driven new link width request, and `target_link_speed` is the application-driven new link speed request.

Note: A link speed change should not be initiated on a Root Port by driving the `pl_directed_link_change` pin to 10 or 11 unless the attribute `RP_AUTO_SPD = 11`.

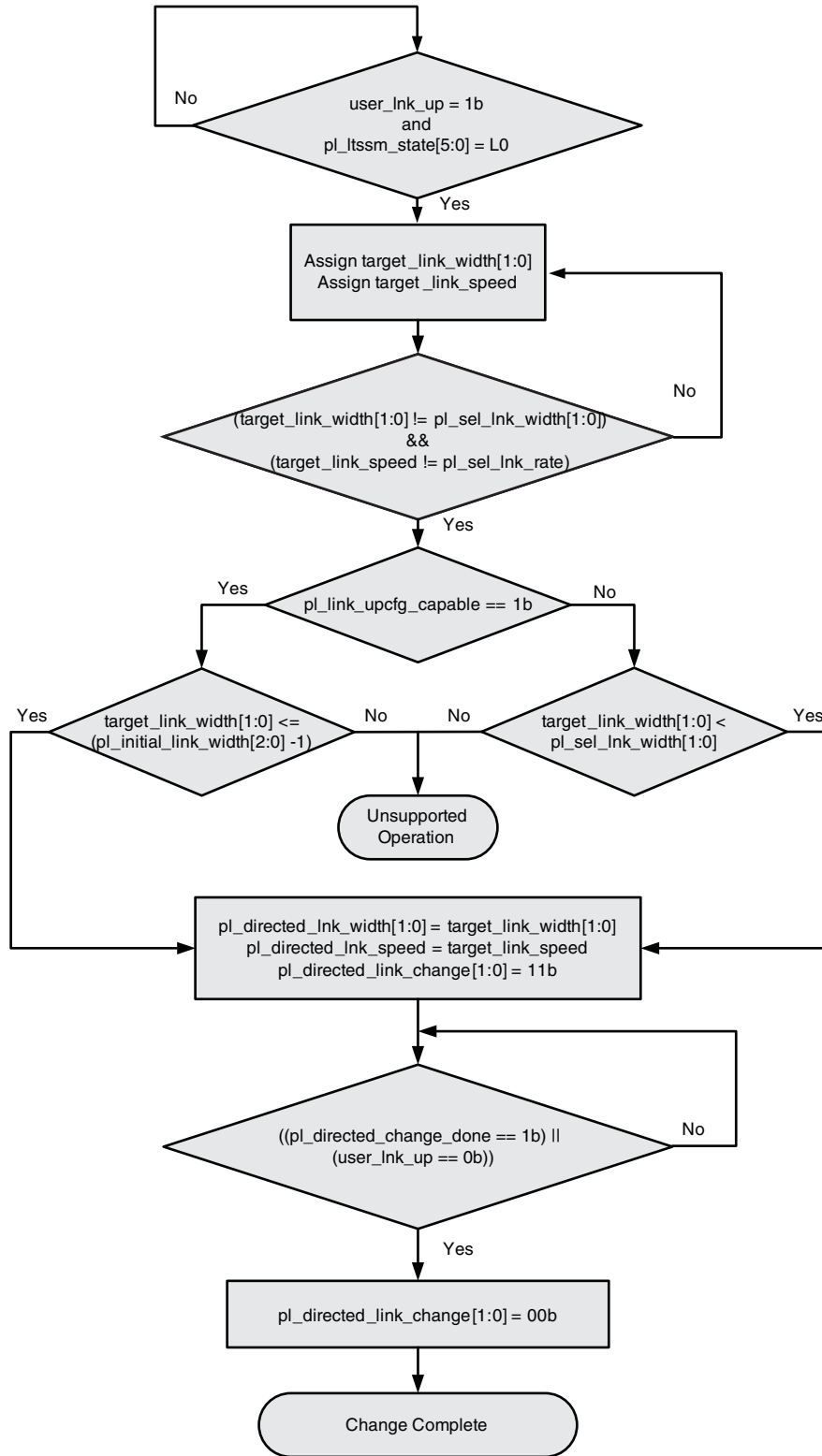


Figure 3-59: Directed Link Width and Speed Change

Design with Configuration Space Registers and Configuration Interface

This section describes the use of the Configuration interface for accessing the PCI Express Configuration Space Type 0 or Type 1 registers that are part of the Integrated Block core. The Configuration interface includes a read/write Configuration Port for accessing the registers. In addition, some commonly used registers are mapped directly on the Configuration interface for convenience.

Registers Mapped Directly onto the Configuration Interface

The Integrated Block core provides direct access to select command and status registers in its Configuration Space. For Endpoints, the values in these registers are typically modified by Configuration Writes received from the Root Complex; however, the User Application can also modify these values using the Configuration Port. In the Root Port configuration, the Configuration Port must always be used to modify these values. [Table 3-17](#) defines the command and status registers mapped to the configuration port.

Table 3-17: Command and Status Registers Mapped to the Configuration Port

Port Name	Direction	Description
cfg_bus_number[7:0]	Output	Bus Number: Default value after reset is 00h. Refreshed whenever a Type 0 Configuration Write packet is received.
cfg_device_number[4:0]	Output	Device Number: Default value after reset is 00000b. Refreshed whenever a Type 0 Configuration Write packet is received.
cfg_function_number[2:0]	Output	Function Number: Function number of the core, hardwired to 000b.
cfg_status[15:0]	Output	Status Register: Status register from the Configuration Space Header. Not supported.
cfg_command[15:0]	Output	Command Register: Command register from the Configuration Space Header.
cfg_dstatus[15:0]	Output	Device Status Register: Device status register from the PCI Express Capability Structure.
cfg_dcommand[15:0]	Output	Device Command Register: Device control register from the PCI Express Capability Structure.
cfg_dcommand2[15:0]	Output	Device Command 2 Register: Device control 2 register from the PCI Express Capability Structure.
cfg_lstatus[15:0]	Output	Link Status Register: Link status register from the PCI Express Capability Structure.
cfg_lcommand[15:0]	Output	Link Command Register: Link control register from the PCI Express Capability Structure.

Device Control and Status Register Definitions

cfg_bus_number[7:0], cfg_device_number[4:0], cfg_function_number[2:0]

Together, these three values comprise the core ID, which the core captures from the corresponding fields of inbound Type 0 Configuration Write accesses. The User Application is responsible for using this core ID as the Requestor ID on any requests it originates, and using it as the Completer ID on any Completion response it sends. This core supports only one function; for this reason, the function number is hardwired to 000b.

cfg_status[15:0]

This output bus is not supported. If the user wishes to retrieve this information, this can be derived by Read access of the Configuration Space in the 7 Series FPGAs Integrated Block for PCI Express via the Configuration Port.

cfg_command[15:0]

This bus reflects the value stored in the Command register in the PCI Configuration Space Header. Table 3-18 provides the definitions for each bit in this bus. See the *PCI Express Base Specification* [Ref 2] for detailed information.

Table 3-18: Bit Mapping on Header Command Register

Bit	Name
cfg_command[15:11]	Reserved
cfg_command[10]	Interrupt Disable
cfg_command[9]	Fast Back-to-Back Transactions Enable (hardwired to 0)
cfg_command[8]	SERR Enable
cfg_command[7]	IDSEL Stepping/Wait Cycle Control (hardwired to 0)
cfg_command[6]	Parity Error Enable - Not Supported
cfg_command[5]	VGA Palette Snoop (hardwired to 0)
cfg_command[4]	Memory Write and Invalidate (hardwired to 0)
cfg_command[3]	Special Cycle Enable (hardwired to 0)
cfg_command[2]	Bus Master Enable
cfg_command[1]	Memory Address Space Decoder Enable
cfg_command[0]	I/O Address Space Decoder Enable

The User Application must monitor the Bus Master Enable bit (cfg_command[2]) and refrain from transmitting requests while this bit is not set. This requirement applies only to requests; completions can be transmitted regardless of this bit.

The Memory Address Space Decoder Enable bit (cfg_command[1]) or the I/O Address Space Decoder Enable bit (cfg_command[0]) must be set to receive Memory or I/O requests. These bits are set by an incoming Configuration Write request from the system host.

cfg_dstatus[15:0]

This bus reflects the value stored in the Device Status register of the PCI Express Capabilities Structure. Table 3-19 defines each bit in the cfg_dstatus bus. See the *PCI Express Base Specification* [Ref 2] for detailed information.

Table 3-19: Bit Mapping on PCI Express Device Status Register

Bit	Name
cfg_dstatus[15:6]	Reserved
cfg_dstatus[5]	Transaction Pending
cfg_dstatus[4]	AUX Power Detected (hardwired to 0)
cfg_dstatus[3]	Unsupported Request Detected
cfg_dstatus[2]	Fatal Error Detected
cfg_dstatus[1]	Non-Fatal Error Detected
cfg_dstatus[0]	Correctable Error Detected

cfg_dcommand[15:0]

This bus reflects the value stored in the Device Control register of the PCI Express Capabilities Structure. Table 3-20 defines each bit in the cfg_dcommand bus. See the *PCI Express Base Specification* for detailed information.

Table 3-20: Bit Mapping of PCI Express Device Control Register

Bit	Name
cfg_dcommand[15]	Reserved
cfg_dcommand[14:12]	Max_Read_Request_Size
cfg_dcommand[11]	Enable No Snoop
cfg_dcommand[10]	Auxiliary Power PM Enable
cfg_dcommand[9]	Phantom Functions Enable
cfg_dcommand[8]	Extended Tag Field Enable
cfg_dcommand[7:5]	Max_Payload_Size
cfg_dcommand[4]	Enable Relaxed Ordering
cfg_dcommand[3]	Unsupported Request Reporting Enable
cfg_dcommand[2]	Fatal Error Reporting Enable
cfg_dcommand[1]	Non-Fatal Error Reporting Enable
cfg_dcommand[0]	Correctable Error Reporting Enable

cfg_lstatus[15:0]

This bus reflects the value stored in the Link Status register in the PCI Express Capabilities Structure. Table 3-21 defines each bit in the cfg_lstatus bus. See the *PCI Express Base Specification* for details.

Table 3-21: Bit Mapping of PCI Express Link Status Register

Bit	Name
cfg_lstatus[15]	Link Autonomous Bandwidth Status
cfg_lstatus[14]	Link Bandwidth Management Status
cfg_lstatus[13]	Data Link Layer Link Active
cfg_lstatus[12]	Slot Clock Configuration
cfg_lstatus[11]	Link Training
cfg_lstatus[10]	Reserved
cfg_lstatus[9:4]	Negotiated Link Width
cfg_lstatus[3:0]	Current Link Speed

cfg_lcommand[15:0]

This bus reflects the value stored in the Link Control register of the PCI Express Capabilities Structure. Table 3-22 provides the definition of each bit in cfg_lcommand bus. See the *PCI Express Base Specification, rev. 2.1* for more details.

Table 3-22: Bit Mapping of PCI Express Link Control Register

Bit	Name
cfg_lcommand[15:12]	Reserved
cfg_lcommand[11]	Link Autonomous Bandwidth Interrupt Enable
cfg_lcommand[10]	Link Bandwidth Management Interrupt Enable
cfg_lcommand[9]	Hardware Autonomous Width Disable
cfg_lcommand[8]	Enable Clock Power Management
cfg_lcommand[7]	Extended Synch
cfg_lcommand[6]	Common Clock Configuration
cfg_lcommand[5] ⁽¹⁾	Retrain Link (Reserved for an Endpoint device)
cfg_lcommand[4]	Link Disable
cfg_lcommand[3]	Read Completion Boundary
cfg_lcommand[2]	Reserved
cfg_lcommand[1:0]	Active State Link PM Control

Notes:

1. During L1 negotiation, the user should not trigger a link retrain by writing a 1 to cfg_lcommand[5]. L1 negotiation can be observed by monitoring the cfg_pcie_link_state port.

cfg_dcommand2[15:0]

This bus reflects the value stored in the Device Control 2 register of the PCI Express Capabilities Structure. Table 3-23 defines each bit in the cfg_dcommand bus. See the *PCI Express Base Specification [Ref 2]* for detailed information.

Table 3-23: Bit Mapping of PCI Express Device Control 2 Register

Bit	Name
cfg_dcommand2[15:5]	Reserved
cfg_dcommand2[4]	Completion Timeout Disable
cfg_dcommand2[3:0]	Completion Timeout Value

Core Response to Command Register Settings

Table 3-24 and Table 3-25 illustrate the behavior of the 7 Series FPGAs Integrated Block for PCI Express based on the Command Register settings when configured as either an Endpoint or a Root Port.

Table 3-24: Command Register (0x004): Endpoint

Bit(s)	Name	Attr	Endpoint Core Behavior
0	I/O Space Enable	RW	The Endpoint does not permit a BAR hit on I/O space unless this is enabled.
1	Memory Space Enable	RW	The Endpoint does not permit a BAR hit on Memory space unless this is enabled.
2	Bus Master Enable	RW	The Endpoint does not enforce this; user could send a TLP via AXI4-Stream interface.
5:3	Reserved	RO	Wired to 0. Not applicable to PCI Express.
6	Parity Error Response	RW	Enables Master Data Parity Error (Status[8]) to be set.
7	Reserved	RO	Wired to 0. Not applicable to PCI Express.
8	SERR# Enable	RW	Can enable Error NonFatal / Error Fatal Message generation, and enables Status[14] ("Signaled System Error").
9	Reserved	RO	Wired to 0. Not applicable to PCI Express.
10	Interrupt Disable	RW	If set to "1", the cfg_interrupt* interface is unable to cause INTx messages to be sent.
15:11	Reserved	RO	Wired to 0. Not applicable to PCI Express.

Table 3-25: Command Register (0x004): Root Port

Bit(s)	Name	Attr	Root Port Core behavior
0	I/O Space Enable	RW	The Root Port ignores this setting. If disabled, it still accepts I/O TLP from the user side and passes downstream. User Application logic must enforce not sending I/O TLPs downstream if this is unset.
1	Memory Space Enable	RW	The Root Port ignores this setting. If disabled, it still accepts Mem TLPs from the user side and passes downstream. User Application logic must enforce not sending Mem TLPs downstream if this is unset.

Table 3-25: Command Register (0x004): Root Port (Cont'd)

Bit(s)	Name	Attr	Root Port Core behavior
2	Bus Master Enable	RW	When set to 0, the Root Port responds to target transactions such as an Upstream Mem or I/O TLPs as a UR (that is, the UR bit is set if enabled or a Cpl w/ UR packet is sent if the TLP was Non-Posted). When set to 1, all target transactions are passed to the user.
5:3	Reserved	RO	Wired to 0. Not applicable to PCI Express.
6	Parity Error Response	RW	Enables Master Data Parity Error (Status[8]) to be set.
7	Reserved	RO	Wired to 0. Not applicable to PCI Express.
8	SERR# Enable	RW	If enabled, Error Fatal/Error Non-Fatal Messages can be forwarded from the AXI4-Stream interface or <code>cfg_err*</code> , or internally generated. The Root Port does not enforce the requirement that Error Fatal/Error Non-Fatal Messages received on the link not be forwarded if this bit unset; user logic must do that. Note: Error conditions detected internal to the Root Port are indicated on <code>cfg_msg*</code> interface.
9	Reserved	RO	Wired to 0. Not applicable to PCI Express.
10	Interrupt Disable	RW	Not applicable to Root Port.
15:11	Reserved	RO	Wired to 0. Not applicable to PCI Express.

Status Register Response to Error Conditions

Table 3-26 through Table 3-28 illustrate the conditions that cause the Status Register bits to be set in the 7 Series FPGAs Integrated Block for PCI Express when configured as either an Endpoint or a Root Port.

Table 3-26: Status Register (0x006): Endpoint

Bit(s)	Name	Attr	Cause in an Endpoint
2:0	Reserved	RO	Wired to 0. Not applicable to PCI Express.
3	Interrupt Status	RO	<ul style="list-style-type: none"> Set when interrupt signaled by user. Clears when interrupt is cleared by the Interrupt handler.
4	Capabilities List	RO	Wired to 1.
7:5	Reserved	RO	Wired to 0. Not applicable to PCI Express.
8	Master Data Parity Error	RW1C	Set if Parity Error Response is set and a Poisoned Cpl TLP is received on the link, or a Poisoned Write TLP is sent.
10:9	Reserved	RO	Wired to 0. Not applicable to PCI Express.
11	Signaled Target Abort	RW1C	Set if a Completion with status Completer Abort is sent upstream by the user via the <code>cfg_err*</code> interface.
12	Received Target Abort	RW1C	Set if a Completion with status Completer Abort is received.

Table 3-26: Status Register (0x006): Endpoint (Cont'd)

Bit(s)	Name	Attr	Cause in an Endpoint
13	Received Master Abort	RW1C	Set if a Completion with status Unsupported Request is received.
14	Signaled System Error	RW1C	Set if an Error Non-Fatal / Error Fatal Message is sent, and SERR# Enable (Command[8]) is set.
15	Detected Parity Error	RW1C	Set if a Poisoned TLP is received on the link.

Table 3-27: Status Register (0x006): Root Port

Bit(s)	Name	Attr	Cause in a Root Port
2:0	Reserved	RO	Wired to 0. Not applicable to PCI Express.
3	Interrupt Status	RO	Has no function in the Root Port.
4	Capabilities List	RO	Wired to 1.
7:5	Reserved	RO	Wired to 0. Not applicable to PCI Express.
8	Master Data Parity Error	RW1C	Set if Parity Error Response is set and a Poisoned Completion TLP is received on the link.
10:9	Reserved	RO	Wired to 0. Not applicable to PCI Express.
11	Signaled Target Abort	RW1C	Never set by the Root Port
12	Received Target Abort	RW1C	Never set by the Root Port
13	Received Master Abort	RW1C	Never set by the Root Port
14	Signaled System Error	RW1C	Set if the Root Port: <ul style="list-style-type: none"> Receives an Error Non-Fatal / Error Fatal Message and both SERR# Enable and Secondary SERR# enable are set. Indicates on the cfg_msg* interface that a Error Fatal / Error Non-Fatal Message should be generated upstream and SERR# enable is set.
15	Detected Parity Error	RW1C	Set if a Poisoned TLP is transmitted downstream.

Table 3-28: Secondary Status Register (0x01E): Root Port

Bit(s)	Name	Attr	Cause in a Root Port
7:0	Reserved	RO	Wired to 0. Not applicable to PCI Express.
8	Secondary Master Data Parity Error	RW1C	Set when the Root Port: <ul style="list-style-type: none"> Receives a Poisoned Completion TLP, and Secondary Parity Error Response==1 Transmits a Poisoned Write TLP, and Secondary Parity Error Response==1
10:9	Reserved	RO	Wired to 0. Not applicable to PCI Express.
11	Secondary Signaled Target Abort	RW1C	Set when User indicates a Completer-Abort via cfg_err_cpl_abort

Table 3-28: Secondary Status Register (0x01E): Root Port

Bit(s)	Name	Attr	Cause in a Root Port
12	Secondary Received Target Abort	RW1C	Set when the Root Port receives a Completion TLP with status Completer-Abort.
13	Secondary Received Master Abort	RW1C	Set when the Root Port receives a Completion TLP with status Unsupported Request
14	Secondary Received System Error	RW1C	Set when the Root Port receives an Error Fatal/Error Non-Fatal Message.
15	Secondary Detected Parity Error	RW1C	Set when the Root Port receives a Poisoned TLP.

Accessing Registers through the Configuration Port

Configuration registers that are not directly mapped to the user interface can be accessed by configuration-space address using the ports shown in Table 2-14, page 31. Root Ports must use the Configuration Port to setup the Configuration Space. Endpoints can also use the Configuration Port to read and write; however, care must be taken to avoid adverse system side effects.

The User Application must supply the address as a DWORD address, not a byte address. To calculate the DWORD address for a register, divide the byte address by four. For example:

- The DWORD address of the Command/Status Register in the PCI Configuration Space Header is 01h. (The byte address is 04h.)
- The DWORD address for BAR0 is 04h. (The byte address is 10h.)

To read any register in configuration space, shown in Table 2-22, page 46, the User Application drives the register DWORD address onto `cfg_dwaddr[9:0]`. The core drives the content of the addressed register onto `cfg_do[31:0]`. The value on `cfg_do[31:0]` is qualified by signal assertion on `cfg_rd_wr_done`. Figure 3-60 illustrates an example with two consecutive reads from the Configuration Space.

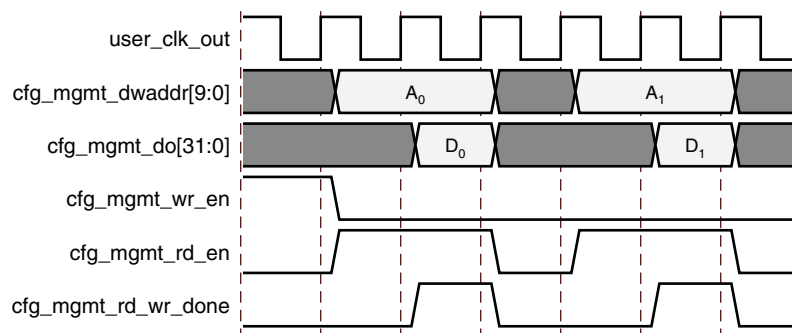


Figure 3-60: Example Configuration Space Read Access

Configuration Space registers which are defined as “RW” by the *PCI Local Bus Specification* and *PCI Express Base Specification* are writable via the Configuration Management interface. To write a register in this address space, the User Application drives the register DWORD address onto `cfg_dwaddr[9:0]` and the data onto `cfg_di[31:0]`. This data is further qualified by `cfg_byte_en[3:0]`, which validates the bytes of data presented on `cfg_di[31:0]`. These signals should be held asserted until `cfg_rd_wr_done` is asserted. [Figure 3-61](#) illustrates an example with two consecutive writes to the Configuration Space, the first write with the User Application writing to all 32 bits of data, and the second write with the User Application selectively writing to only bits [23:26].

Note: Writing to the Configuration Space could have adverse system side effects. Users should ensure these writes do not negatively impact the overall system functionality.

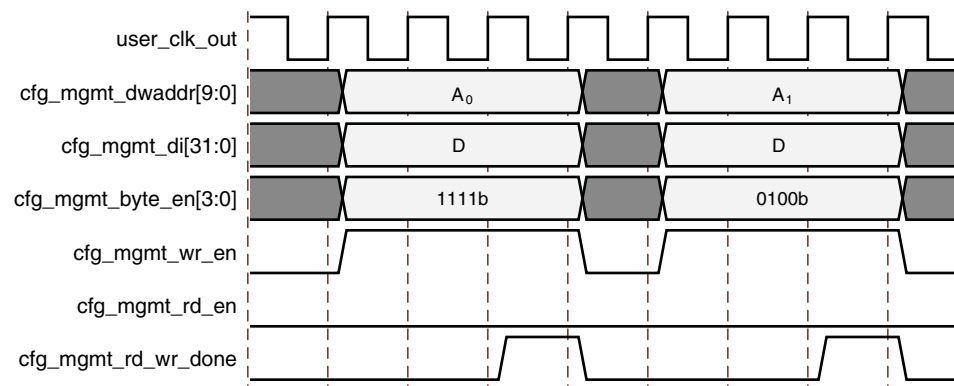


Figure 3-61: Example Configuration Space Write Access

Optional PCI Express Extended Capabilities

The 7 Series FPGAs Integrated Block for PCI Express optionally implements up to five PCI Express Extended Capabilities: Device Serial Number Capability, Virtual Channel Capability, Vendor Specific Capability, Advanced Error Reporting Capability, and Resizable BAR Capability. Using the CORE Generator tool, you can choose which of these to enable. The relative order of the capabilities implemented is always the same. The order is:

1. Device Serial Number (DSN) Capability
2. Virtual Channel (VC) Capability
3. Vendor Specific (VSEC) Capability
4. Advanced Error Reporting (AER) Capability
5. Resizable BAR (RBAR) Capability

The Start addresses (Base Pointer address) of the five capability structures vary depending on the combination of capabilities enabled in the CORE Generator tool GUI.

[Table 3-29](#) through [Table 3-33](#) define the start addresses of the five Extended Capability Structures, depending on the combination of PCI Express Extended Capabilities selected.

Table 3-29: DSN Base Pointer

	DSN Base Pointer
No Capabilities Selected	-
DSN Enabled	100h

Table 3-30: VC Capability Base Pointer

	VC Capability Base Pointer
No Capabilities Selected	-
Only VC Capability Enabled	100h
DSN and VC Capability Enabled	10Ch

Table 3-31: VSEC Capability Base Pointer

	VSEC Capability Base Pointer
No Capabilities Selected	-
Only VSEC Capability Enabled	100h
DSN and VSEC Capability Enabled	10Ch
DSN, VC Capability, and VSEC Capability Enabled	128h

Table 3-32: AER Capability Base Pointer

	AER Capability Base Pointer
No Capabilities Selected	-
Only AER Capability Enabled	100h
DSN and AER Capability Enabled	10Ch
VC Capability and AER Capability Enabled	11Ch
VSEC Capability and AER Capability Enabled	118h
DSN, VC Capability, and AER Capability Enabled	128h
DSN, VSEC Capability, and AER Capability Enabled	124h
VC Capability, VSEC Capability, and AER Capability Enabled	134h
DSN, VC Capability, VSEC Capability, and AER Capability Enabled	140h

Table 3-33: RBAR Capability Base Pointer

	RBAR Capability Base Pointer
No Capabilities Selected	-
Only RBAR Capability Enabled	100h
DSN and RBAR Capability Enabled	10Ch
VC Capability and RBAR Capability Enabled	11Ch
VSEC Capability and RBAR Capability Enabled	118h
AER Capability and RBAR Capability Enabled	138h
DSN, VC Capability, and RBAR Capability Enabled	128h
DSN, VSEC Capability, and RBAR Capability Enabled	124h
DSN, AER Capability, and RBAR Capability Enabled	144h
VC Capability, VSEC Capability, and RBAR Capability Enabled	134h
VC Capability, AER Capability, and RBAR Capability Enabled	154h
VSEC Capability, AER Capability, and RBAR Capability Enabled	150h
DSN, VC Capability, VSEC Capability, and RBAR Capability Enabled	140h
DSN, VC Capability, AER Capability, and RBAR Capability Enabled	160h
DSN, VSEC Capability, AER Capability and RBAR Capability Enabled	15Ch
VC Capability, VSEC Capability, AER Capability, and RBAR Capability Enabled	16Ch
DSN, VC Capability, VSEC Capability, AER Capability, and RBAR Capability Enabled	178h

The rest of the PCI Express Extended Configuration Space is optionally available for you to implement.

Xilinx Defined Vendor Specific Capability

The 7 Series FPGAs Integrated Block for PCI Express supports Xilinx defined Vendor Specific Capability that provides Control and Status for Loopback Master function for both the Root Port and Endpoint configurations.



RECOMMENDED: Use Loopback Master functionality to perform in-system test of the physical link only, that is, when the application is not active.

User logic is required to control the Loopback Master functionality by assessing the VSEC structure via the Configuration interface.

Figure 3-62 shows the VSEC structure in the PCIe Extended Configuration Space implemented in the integrated block.

31			0 Byte Offset
Next Capability Offset	Capability Version = 1h	PCI Express extended capability = 000Bh	00h
VSEC Length = 24 bytes	VSEC Rev = 0h	VSEC ID = 0h	04h
Loopback Control Register			08h
Loopback Status Register			0Ch
Loopback Error Count Register 1			10h
Loopback Error Count Register 2			14h

Figure 3-62: Xilinx Defined Vendor Specific Capability Structure

Loopback Control Register (Offset 08h)

The Loopback Control Register controls Xilinx Defined Loopback specific parameters. Table 3-34 shows the bit locations and definitions.

Table 3-34: Loopback Control Register

Bit Location	Register Description	Attributes
0	Start Loopback: When set to 1b and <i>pl_ltssm_state[5:0]</i> is indicating L0 (16H), the block transitions to Loopback Master state and starts the loopback test. When set to 0b, the block exits the loopback master mode. Note: The Start Loopback bit should not be set to 1b during a link speed change.	RW
1	Force Loopback: The loopback master can force the slave which fails to achieve symbol lock at specified "link speed" and "de-emphasis level" to enter the loopback.active state by setting this bit to 1b. The start bit must be set to 1b when force is set to 1b.	RW
3:2	Loopback Link Speed: Advertised link speed in the TS1s sent by master with loopback bit set to 1b. The master can control the loopback link speed by properly controlling these bits.	RW
4	Loopback De-emphasis: Advertised de-emphasis level in the TS1s sent by master. This also sets the De-emphasis level for the loopback slave.	RW
5	Loopback Modified Compliance: The loopback master generates modified compliance pattern when in loopback mode else compliance pattern is generated. Only one SKP OS is generated instead of two while in modified compliance.	RW
6	Loopback Suppress SKP OS: When this bit is set to 1b then SKP OS are not transmitted by Loopback Master. This bit is ignored when <i>send_modified_compliance</i> pattern is set to 0b.	RW
15:7	Reserved	RO
23:16	Reserved	RO
31:24	Reserved	RO

Loopback Status Register (Offset 0Ch)

The Loopback Status Register provides information about Xilinx Defined Loopback specific parameters. Table 3-35 shows the bit locations and definitions.

Table 3-35: Loopback Status Register

Bit Location	Register Description	Attributes																		
0	Loopback Slave: This bit is set by hardware, if the device is currently in loopback slave mode. When this bit is set to 1b, the Start Loopback bit must not be set to 1b.	RO																		
1	Loopback Slave Failed: This bit is set by Loopback Master hardware, when the master receives no TS1's while Loopback bit set to 1b, within 100 ms of "Loopback.Active". This bit is never set to 1b, when the Force Loopback bit is set to 1b. Setting the Start Loopback bit to 1b clears this bit to 0b.	RO																		
7:2	Reserved	RO																		
15:8	<p>Loopback Tested: These bits are set to 0b, when the Start Loopback bit is set to 1b. These bits are set to 1b when loopback test has been performed on a given lane and the Loopback_Err_count_n for the corresponding lane is valid.</p> <table border="1"> <thead> <tr> <th>Bit Positions</th> <th>Lane</th> </tr> </thead> <tbody> <tr> <td>8</td> <td>Lane 0 Tested</td> </tr> <tr> <td>9</td> <td>Lane 1 Tested</td> </tr> <tr> <td>10</td> <td>Lane 2 Tested</td> </tr> <tr> <td>11</td> <td>Lane 3 Tested</td> </tr> <tr> <td>12</td> <td>Lane 4 Tested</td> </tr> <tr> <td>13</td> <td>Lane 5 Tested</td> </tr> <tr> <td>14</td> <td>Lane 6 Tested</td> </tr> <tr> <td>15</td> <td>Lane 7 Tested</td> </tr> </tbody> </table>	Bit Positions	Lane	8	Lane 0 Tested	9	Lane 1 Tested	10	Lane 2 Tested	11	Lane 3 Tested	12	Lane 4 Tested	13	Lane 5 Tested	14	Lane 6 Tested	15	Lane 7 Tested	RO
Bit Positions	Lane																			
8	Lane 0 Tested																			
9	Lane 1 Tested																			
10	Lane 2 Tested																			
11	Lane 3 Tested																			
12	Lane 4 Tested																			
13	Lane 5 Tested																			
14	Lane 6 Tested																			
15	Lane 7 Tested																			
31:16	Reserved	RO																		

Loopback Error Count Register 1 (Offset 10h)

The Loopback Error Count Register 1 provides information about the Error Count on the Physical Lanes 0 - 3, as tested by Xilinx Defined Loopback Control Test. A lane has an error count reported as zero if that lane was not tested in loopback. This could be if the lane is either not part of a configured port or has not detected a receiver at the other end.

Table 3-36 shows the bit locations and definitions.

Table 3-36: Loopback Error Count Register 1

Bit Location	Register Description	Attributes
7:0	Loopback Error Count 0: This specifies the Error Count on Lane 0. An error is said to have occurred if there is an 8B/10B error or disparity error signaled on the Lane. Setting Loopback Start bit to 1b clears the error count to 0h. This is only valid when Loopback Tested: Lane 0 Tested is set to 1b.	RO
15:8	Loopback Error Count 1: This specifies the Error Count on Lane 1. An error is said to have occurred if there is an 8B/10B error or disparity error signaled on the Lane. Setting Loopback Start bit to 1b clears the error count to 0h. This is only valid when Loopback Tested: Lane 1 Tested is set to 1b.	RO
23:16	Loopback Error Count 2: This specifies the Error Count on Lane 2. An error is said to have occurred if there is an 8B/10B error or disparity error signaled on the Lane. Setting Loopback Start bit to 1b clears the error count to 0h. This is only valid when Loopback Tested: Lane 2 Tested is set to 1b.	RO
31:24	Loopback Error Count 3: This specifies the Error Count on Lane 3. An error is said to have occurred if there is an 8B/10B error or disparity error signaled on the Lane. Setting Loopback Start bit to 1b clears the error count to 0h. This is only valid when Loopback Tested: Lane 3 Tested is set to 1b.	RO

Loopback Error Count Register 2 (Offset 14h)

The Loopback Error Count Register 2 provides information about the Error Count on the Physical Lanes 7 - 4, as tested by Xilinx Defined Loopback Control Test. A lane has an error count reported as zero if that lane was not tested in loopback. This could be the case the lane is either not part of configured port or has not detected a receiver at the other end. Table 3-37 shows the bit locations and definitions.

Table 3-37: Loopback Error Count Register 2

Bit Location	Register Description	Attributes
7:0	Loopback Error Count 4: This specifies the Error Count on Lane 4. An error is said to have occurred if there is an 8B/10B error or disparity error signaled on the Lane. Setting Loopback Start bit to 1b clears the error count to 0h. This is only valid when Loopback Tested: Lane 4 Tested is set to 1b.	RO
15:8	Loopback Error Count 5: This specifies the Error Count on Lane 5. An error is said to have occurred if there is an 8B/10B error or disparity error signaled on the Lane. Setting Loopback Start bit to 1b clears the error count to 0h. This is only valid when Loopback Tested: Lane 5 Tested is set to 1b.	RO
23:16	Loopback Error Count 6: This specifies the Error Count on Lane 6. An error is said to have occurred if there is an 8B/10B error or disparity error signaled on the Lane. Setting Loopback Start bit to 1b clears the error count to 0h. This is only valid when Loopback Tested: Lane 6 Tested is set to 1b.	RO
31:24	Loopback Error Count 7: This specifies the Error Count on Lane 7. An error is said to have occurred if there is an 8B/10B error or disparity error signaled on the lane. Setting Loopback Start bit to 1b clears the error count to 0h. This is only valid when Loopback Tested: Lane 7 Tested is set to 1b.	RO

Advanced Error Reporting Capability

The 7 Series FPGAs Integrated Block for PCI Express implements the Advanced Error Reporting (AER) Capability structure as defined in *PCI Express Base Specification, rev. 2.1* [Ref 2]. All optional bits defined in the specification are supported. Multiple Header Logging is not supported.

When AER is enabled, the core responds to error conditions by setting the appropriate Configuration Space bit(s) and sending the appropriate error messages in the manner described in *PCI Express Base Specification, rev. 2.1*.

For additional signaling requirements when AER is enabled, see [AER Requirements, page 134](#).

Resizable BAR Capability

The 7 Series FPGAs Integrated Block for PCI Express implements the Resizable BAR Capability structure as defined in *PCI Express Base Specification, rev. 2.1*. For more information on the Resizable BAR feature of the integrated block, see [Resizable BAR Implementation-Specific Information \(Endpoint Only\), page 135](#).

User-Implemented Configuration Space

The 7 Series FPGAs Integrated Block for PCI Express enables you to optionally implement registers in the PCI Configuration Space, the PCI Express Extended Configuration Space, or both, in the User Application. The User Application is required to return Config Completions for all address within this space. For more information about enabling and customizing this feature, see [Chapter 4, Customizing and Generating the Core](#) (Vivado Design Suite) or [Chapter 10, Customizing and Generating the Core](#) (ISE Design Suite).

PCI Configuration Space

If you choose to implement registers within $0xA8$ to $0xFF$ in the PCI Configuration Space, the start address of the address region you wish to implement can be defined during the core generation process.

The User Application is responsible for generating all Completions to Configuration Reads and Writes from the user-defined start address to the end of PCI Configuration Space ($0xFF$). Configuration Reads to unimplemented registers within this range should be responded to with a Completion with $0x00000000$ as the data, and configuration writes should be responded to with a successful Completion.

For example, to implement address range $0xC0$ to $0xCF$, there are several address ranges defined that should be treated differently depending on the access. See [Table 3-38](#) for more details on this example.

Table 3-38: Example: User-Implemented Space 0xC0 to 0xCF

	Configuration Writes	Configuration Reads
0x00 to 0xBF	Core responds automatically	Core responds automatically
0xC0 to 0xCF	User Application responds with Successful Completion	User Application responds with register contents
0xD0 to 0xFF	User Application responds with Successful Completion	User Application responds with 0x00000000

PCI Express Extended Configuration Space

The starting address of the region in the PCI Express Extended Configuration Space that is optionally available for you to implement depends on the PCI Express Extended Capabilities that the user has enabled in the 7 Series FPGAs Integrated Block for PCI Express.

The 7 Series FPGAs Integrated Block for PCI Express allows the user to select the start address of the user-implemented PCI Express Extended Configuration Space, while generating and customizing the core. This space must be implemented in the User Application. The User Application is required to generate a CplD with 0x00000000 for Configuration Read and successful Cpl for Configuration Write to addresses in this selected range not implemented in the User Application.

The user can choose to implement a User Configuration Space with a start address not adjacent to the last capability structure implemented by the 7 Series FPGAs Integrated Block for PCI Express. In such a case, the core returns a completion with 0x00000000 for configuration accesses to the region that the user has chosen to not implement. Table 3-39 further illustrates this scenario.

Table 3-39: Example: User-Defined Start Address for Configuration Space

Configuration Space	Byte Address
DSN Capability	100h - 108h
VSEC Capability	10Ch - 120h
Reserved Extended Configuration Space (Core Returns Successful Completion with 0x00000000)	124h - 164h
User-Implemented PCI Express Extended Configuration Space	168h - 47Ch
User-Implemented Reserved PCI Express Extended Configuration Space (User Application Returns Successful Completion with 0x00000000)	480h - FFFh

Table 3-39 illustrates an example Configuration of the PCI Express Extended Configuration Space, with these settings:

- DSN Capability Enabled
- VSEC Capability Enabled

- User Implemented PCI Express Extended Configuration Space Enabled
- User Implemented PCI Express Extended Configuration Space Start Address 168h

In this configuration, the DSN Capability occupies the registers at 100h-108h, and the VSEC Capability occupies registers at addresses 10Ch to 120h.

The remaining PCI Express Extended Configuration Space, starting at address 124h is available to the user to implement. For this example, the user has chosen to implement registers in the address region starting 168h.

In this scenario, the core returns successful Completions with 0x00000000 for Configuration accesses to registers 124h-164h. [Table 3-39](#) also illustrates a case where the user only implements the registers from 168h to 47Ch. In this case, the user is responsible for returning successful Completions with 0x00000000 for configuration accesses to 480h-FFFh.

Additional Packet Handling Requirements

The User Application must manage the mechanisms described in this section to ensure protocol compliance, because the core does not manage them automatically.

Generation of Completions

The Integrated Block core does not generate Completions for Memory Reads or I/O requests made by a remote device. The user is expected to service these completions according to the rules specified in the *PCI Express Base Specification* [[Ref 2](#)].

Tracking Non-Posted Requests and Inbound Completions

The integrated block does not track transmitted I/O requests or Memory Reads that have yet to be serviced with inbound Completions. The User Application is required to keep track of such requests using the Tag ID or other information.

One Memory Read request can be answered by several Completion packets. The User Application must accept all inbound Completions associated with the original Memory Read until all requested data has been received.

The *PCI Express Base Specification* requires that an Endpoint advertise infinite Completion Flow Control credits as a receiver; the Endpoint can only transmit Memory Reads and I/O requests if it has enough space to receive subsequent Completions.

The integrated block does not keep track of receive-buffer space for Completion. Rather, it sets aside a fixed amount of buffer space for inbound Completions. The User Application must keep track of this buffer space to know if it can transmit requests requiring a Completion response. See [Appendix C, Managing Receive-Buffer Space for Inbound Completions](#) for Inbound Completions for more information.

Handling Message TLPs

By default, the 7 Series FPGAs Integrated Block for PCI Express does not route any received messages to the AXI4-Stream interface. It signals the receipt of messages on the `cfg_msg_*` interface. The user can, however, choose to receive these messages, in addition to signaling on this interface, by enabling this feature during customization of the core through the CORE Generator tool.

Root Port Configuration

The Root Port of a PCI Express Root Complex does not send any internally generated messages on the PCI Express link, although messages can still be sent via the AXI4-Stream interface, such as a Set Slot Power Limit message. Any errors detected by the Integrated Block in Root Port configuration that could cause an error message to be sent are therefore signaled to the User Application on the `cfg_msg_*` interface.

The Integrated Block for PCI Express in Root Port configuration also decodes received messages and signals these to the User Application on this interface. When configured as a Root Port, the Integrated Block distinguishes between these received messages and error conditions detected internally by the asserting the `cfg_msg_received` signal.

Reporting User Error Conditions

The User Application must report errors that occur during Completion handling using dedicated error signals on the core interface, and must observe the Device Power State before signaling an error to the core. If the User Application detects an error (for example, a Completion Timeout) while the device has been programmed to a non-D0 state, the User Application is responsible to signal the error after the device is programmed back to the D0 state.

After the User Application signals an error, the core reports the error on the PCI Express Link and also sets the appropriate status bit(s) in the Configuration Space. Because status bits must be set in the appropriate Configuration Space register, the User Application cannot generate error reporting packets on the transmit interface. The type of error-reporting packets transmitted depends on whether or not the error resulted from a Posted or Non-Posted Request, and if AER is enabled or disabled. User-reported Posted errors cause Message packets to be sent to the Root Complex if enabled to do so through the Device Control Error Reporting bits and/or the Status SERR Enable bit, and the AER Mask bits (if AER enabled). User-reported non-Posted errors cause Completion packets with non-successful status to be sent to the Root Complex, unless the error is regarded as an Advisory Non-Fatal Error. If AER is enabled, user-reported non-Posted errors can also cause Message packets to be sent, if enabled by the AER Mask bits. For more information about Advisory Non-Fatal Errors, see Chapter 6 of the *PCI Express Base Specification*. Errors on Non-Posted Requests can result in either Messages to the Root Complex or Completion packets with non-Successful status sent to the original Requester.

Error Types

The User Application triggers different types of errors using the signals defined in [Table 2-18, page 38](#).

- End-to-end CRC ECRC Error
- Unsupported Request Error
- Completion Timeout Error
- Unexpected Completion Error
- Completer Abort Error
- Correctable Error
- Atomic Egress Blocked Error
- Multicast Blocked Error
- Correctable Internal Error
- Malformed Error
- Poisoned Error
- Uncorrectable Internal Error

Multiple errors can be detected in the same received packet; for example, the same packet can be an Unsupported Request and have an ECRC error. If this happens, only one error should be reported. Because all user-reported errors have the same severity, the User Application design can determine which error to report. The `cfg_err_posted` signal, combined with the appropriate error reporting signal, indicates what type of error-reporting packets are transmitted. The user can signal only one error per clock cycle. See [Figure 3-63](#), [Figure 3-64](#), and [Figure 3-65](#), and [Table 3-40](#) and [Table 3-41](#).

The User Application must ensure that the device is in a D0 Power state prior to reporting any errors via the `cfg_err_` interface. The User Application can ensure this by checking that the PMCSR PowerState (`cfg_pmcsr_pme_powerstate[1:0]`) is set to `2'b00`. If the PowerState is not set to `2'b00` (the core is in a non-D0 power state) and `PME_EN` `cfg_pmcsr_pme_en` is asserted (`1'b1`), then the user can assert (pulse) `cfg_pm_wake` and wait for the Root to set the PMCSR PowerState bits to `2'b00`. If the PowerState (`cfg_pmcsr_pme_powerstate`) is not equal to `2'b00` and `PME_EN` `cfg_pmcsr_pme_en` is deasserted (`1'b0`), the user must wait for the Root to set the PowerState to `2'b00`.

Table 3-40: User-Indicated Error Signaling

User Reported Error	Internal Cause	AER Enabled	Action
None	None	Don't care	No action is taken.
cfg_err_ur && cfg_err_posted = 0	RX: • Bar Miss (NP TLP) • Locked TLP • Type1 Cfg • Non-Cpl TLP during PM mode • Poisoned TLP	No	A completion with an Unsupported Request status is sent.
		Yes	A completion with an Unsupported Request status is sent. If enabled, a Correctable Error Message is sent.
cfg_err_ur && cfg_err_posted = 1	RX: • Bar Miss (Posted) TLP • Locked (Posted) TLP • Posted TLP during PM mode	No	If enabled, a Non-Fatal Error Message is sent.
		Yes	Depending on the AER Severity register, either a Non-Fatal or Fatal Error Message is sent.
cfg_err_cpl_abort && cfg_err_posted = 0	Poisoned TLP	No	A completion with a Completer Abort status is sent. If enabled, a Non-Fatal Error Message is sent.
		Yes	A completion with a Completer Abort status is sent. If enabled, a Correctable Error Message is sent.
cfg_err_cpl_abort && cfg_err_posted = 1	ECRC Error	No	A completion with a Completer Abort status is sent. If enabled, a Non-Fatal Error Message is sent.
		Yes	Depending on the AER Severity register, either a Non-Fatal or Fatal Error Message is sent.
cfg_err_cpl_timeout && cfg_err_no_recovery = 0	Poisoned TLP	No	None (considered an Advisory Non-Fatal Error).
		Yes	If enabled, a Correctable Error Message is sent.
cfg_err_cpl_timeout && cfg_err_no_recovery = 1	ECRC Error	No	If enabled, a Non-Fatal Error Message is sent.
		Yes	Depending on the AER Severity register, a Non-Fatal or Fatal Error Message is sent.
cfg_err_ecrc	ECRC Error	No	If enabled, a Non-Fatal Error Message is sent.
		Yes	Depending on the AER Severity register, either a Non-Fatal or Fatal Error Message is sent.

Table 3-40: User-Indicated Error Signaling (Cont'd)

User Reported Error	Internal Cause	AER Enabled	Action
cfg_err_cor	RX: <ul style="list-style-type: none"> • PLM MGT Err • Replay TO • Replay Rollover • Bad DLLP • Bad TLP (crc/seq#) • Header Log Overflow⁽¹⁾ 	Don't care	If enabled, a Correctable Error Message is sent.
cfg_err_internal_cor		Yes	
cfg_err_cpl_unexpect	Poisoned TLP	No	None (considered an Advisory Non-Fatal Error).
		Yes	If enabled, a Correctable Error Message is sent.
cfg_err_atomic_egress_blocked	Poisoned TLP	No	None (considered an Advisory Non-Fatal Error).
		Yes	If enabled, a Correctable Error Message is sent.
cfg_err_malformed	RX: <ul style="list-style-type: none"> • Out-of-range ACK/NAK • Malformed TLP • Buffer Overflow • FC error 	No	If enabled, a Fatal Error Message is sent.
		Yes	Depending on the AER Severity register, either a Non-Fatal or Fatal Error Message is sent.
cfg_err_mc_blocked	ECRC Error	No	If enabled, a Non-Fatal Error Message is sent.
		Yes	Depending on the AER Severity register, either a Non-Fatal or Fatal Error Message is sent.
cfg_err_poisoned && cfg_err_no_recovery = 0	Poisoned TLP	No	None (considered an Advisory Non-Fatal Error).
		Yes	If enabled, a Correctable Error Message is sent.
cfg_err_poisoned && cfg_err_no_recovery = 1	ECRC Error	No	If enabled, a Non-Fatal Error Message is sent.
		Yes	Depending on the AER Severity register, either a Non-Fatal or Fatal Error Message is sent.

Notes:

1. Only when AER is enabled.

Table 3-41: Possible Error Conditions for TLPs Received by the User Application

Received TLP Type	Possible Error Condition					Error Qualifying Signal Status	
	Unsupported Request (cfg_err_ur)	Completion Abort (cfg_err_cpl_abort)	Correctable Error (cfg_err_cor)	ECRC Error (cfg_err_ecrc)	Unexpected Completion (cfg_err_cpl_unexpect)	Value to Drive on (cfg_err_posted)	Drive Data on (cfg_err_tlp_cpl_header[47:0])
Memory Write	3	X	N/A	3	X	1	No
Memory Read	3	3	N/A	3	X	0	Yes
I/O	3	3	N/A	3	X	0	Yes
Completion	X	X	N/A	3	3	1	No

Notes:

1. A checkmark indicates a possible error condition for a given TLP type. For example, users can signal Unsupported Request or ECRC Error for a Memory Write TLP, if these errors are detected. An X indicates not a valid error condition for a given TLP type. For example, users should never signal Completion Abort in response to a Memory Write TLP.

Whenever an error is detected in a Non-Posted Request, the User Application deasserts `cfg_err_posted` and provides header information on `cfg_err_tlp_cpl_header[47:0]` during the same clock cycle the error is reported, as illustrated in [Figure 3-63](#). The additional header information is necessary to construct the required Completion with non-Successful status. Additional information about when to assert or deassert `cfg_err_posted` is provided in the remainder of this section.

If an error is detected on a Posted Request, the User Application instead asserts `cfg_err_posted`, but otherwise follows the same signaling protocol. This results in a Non-Fatal Message to be sent, if enabled (see [Figure 3-64](#)).

If several non-Posted errors are signaled on `cfg_err_ur` or `cfg_err_cpl_abort` in a short amount of time, it is possible for the core to be unable to buffer them all. If that occurs, then `cfg_err_cpl_rdy` is deasserted and the user must cease signaling those types of errors on the same cycle. The user must not resume signaling those types of errors until `cfg_err_cpl_rdy` is reasserted (see [Figure 3-65](#)).

The core’s ability to generate error messages can be disabled by the Root Complex issuing a configuration write to the Endpoint core’s Device Control register and the PCI Command register setting the appropriate bits to 0. For more information about these registers, see Chapter 7 of the *PCI Express Base Specification [Ref 2]*. However, error-reporting status bits are always set in the Configuration Space whether or not their Messages are disabled.

If AER is enabled, the root complex has fine-grained control over the ability and types of error messages generated by the Endpoint core by setting the Severity and Mask Registers in the AER Capability Structure. For more information about these registers, see Chapter 7 of the *PCI Express Base Specification, rev. 2.1*.

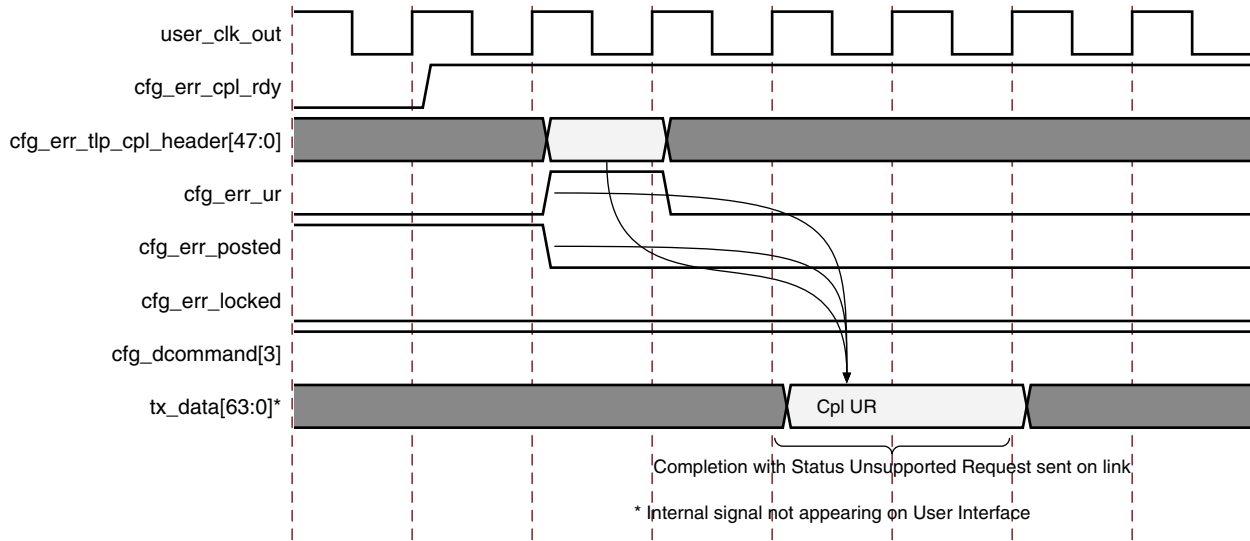


Figure 3-63: Signaling Unsupported Request for Non-Posted TLP

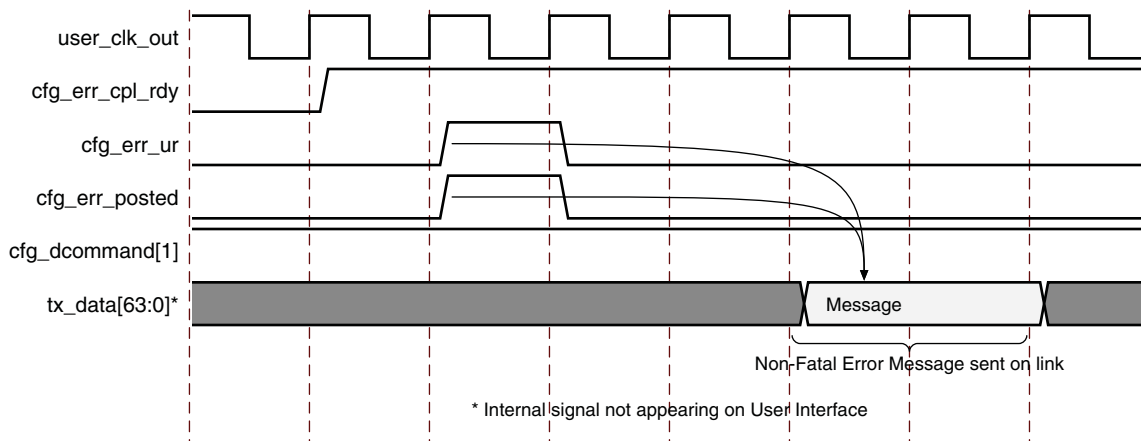


Figure 3-64: Signaling Unsupported Request for Posted TLP

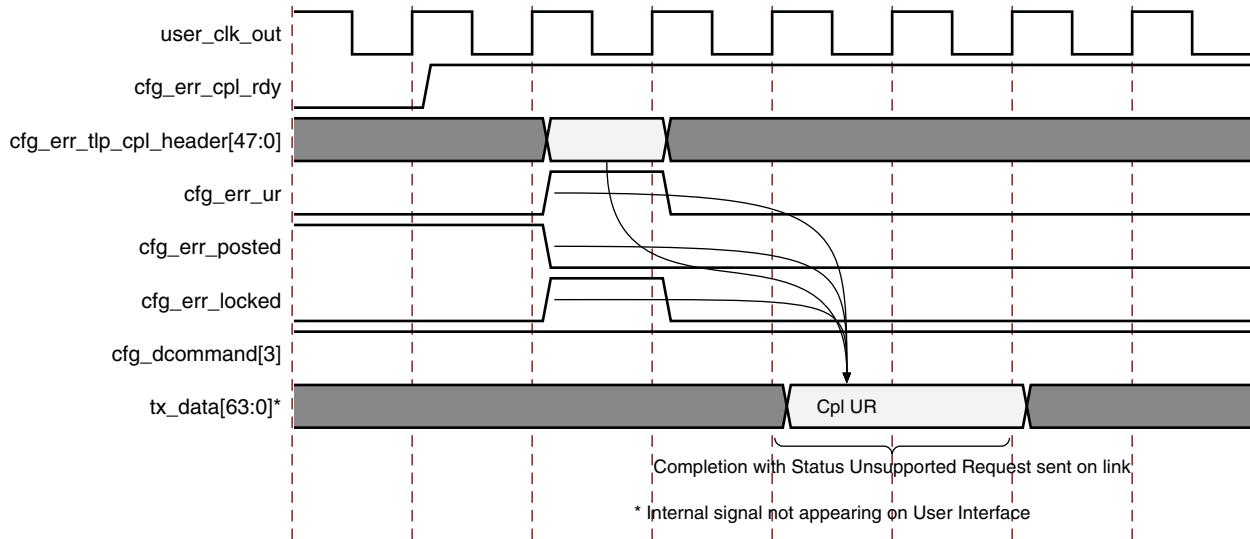


Figure 3-65: Signaling Locked Unsupported Request for Locked Non-Posted TLP

Completion Timeouts

The Integrated Block core does not implement Completion timers; for this reason, the User Application must track how long its pending Non-Posted Requests have each been waiting for a Completion and trigger timeouts on them accordingly. The core has no method of knowing when such a timeout has occurred, and for this reason does not filter out inbound Completions for expired requests.

If a request times out, the User Application must assert `cfg_err_cpl_timeout`, which causes an error message to be sent to the Root Complex. If a Completion is later received after a request times out, the User Application must treat it as an Unexpected Completion.

Unexpected Completions

The Integrated Block core automatically reports Unexpected Completions in response to inbound Completions whose Requestor ID is different than the Endpoint ID programmed in the Configuration Space. These completions are not passed to the User Application. The current version of the core regards an Unexpected Completion to be an Advisory Non-Fatal Error (ANFE), and no message is sent.

Completer Abort

If the User Application is unable to transmit a normal Completion in response to a Non-Posted Request it receives, it must signal `cfg_err_cpl_abort`. The `cfg_err_posted` signal can also be set to 1 simultaneously to indicate Non-Posted and the appropriate request information placed on `cfg_err_tlp_cpl_header[47:0]`. This sends a Completion with non-Successful status to the original Requester, but does not send an Error Message. When in Legacy mode if the `cfg_err_locked` signal is set to 0 (to indicate the transaction causing the error was a locked transaction), a Completion Locked with Non-Successful status is sent.

If the `cfg_err_posted` signal is set to 0 (to indicate a Posted transaction), no Completion is sent, but a Non-Fatal Error Message is sent (if enabled).

Unsupported Request

If the User Application receives an inbound Request it does not support or recognize, it must assert `cfg_err_ur` to signal an Unsupported Request. The `cfg_err_posted` signal must also be asserted or deasserted depending on whether the packet in question is a Posted or Non-Posted Request. If the packet is Posted, a Non-Fatal Error Message is sent out (if enabled); if the packet is Non-Posted, a Completion with a non-Successful status is sent to the original Requester. When in Legacy mode if the `cfg_err_locked` signal is set to 0 (to indicate the transaction causing the error was a locked transaction), a Completion Locked with Unsupported Request status is sent.

The Unsupported Request condition can occur for several reasons, including:

- An inbound Memory Write packet violates the User Application's programming model, for example, if the User Application has been allotted a 4 KB address space but only uses 3 KB, and the inbound packet addresses the unused portion.

Note: If this occurs on a Non-Posted Request, the User Application should use `cfg_err_cpl_abort` to flag the error.

- An inbound packet uses a packet Type not supported by the User Application, for example, an I/O request to a memory-only device.

ECRC Error

When enabled, the Integrated Block core automatically checks the ECRC field for validity. If an ECRC error is detected, the core responds by setting the appropriate status bits and an appropriate error message is sent, if enabled to do so in the configuration space.

If automatic ECRC checking is disabled, the User Application can still signal an ECRC error by asserting `cfg_err_ecrc`. The User Application should only assert `cfg_err_ecrc` if AER is disabled.

AER Requirements

Whenever the User Application signals an error using one of the `cfg_err_*` inputs (for example, `cfg_err_ecrc_n`), it must also log the header of the TLP that caused the error. The User Application provides header information on `cfg_err_aer_headerlog[127:0]` during the same clock cycle the error is reported. The User Application must hold the header information until `cfg_err_aer_headerlog_set` is asserted. `cfg_err_aer_headerlog_set` remains asserted until the Uncorrectable Error Status Register bit corresponding to the first error pointer is cleared (typically, via system software – see the *PCI Express Base Specification, v2.1 [Ref 2]*). If `cfg_err_aer_headerlog_set` is already asserted, there is already a header logged. [Figure 3-66](#) illustrates the operation for AER header logging.

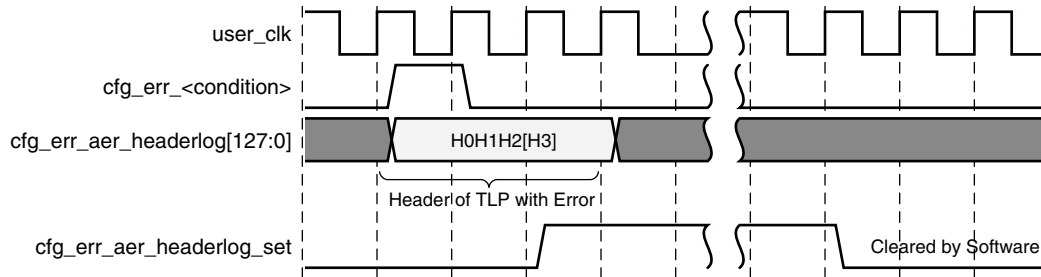


Figure 3-66: AER Header Logging

Resizable BAR Implementation-Specific Information (Endpoint Only)

The integrated block can support up to six resizable BARs; however, the BAR Index field of the Resizable BAR Capability Registers (0 through 5) must be in ascending order. For example, if Bar Index (0) is set to 4 (indicating it points to the BAR[4]), Bar Index (1) can be set to 5 and Bar Index (2 - 5) cannot be used and is disabled. In this example, if BAR[4] represents a 64-bit BAR (using BAR5 for the upper 32 bits), Bar Index(1) cannot be used.

When the Bar Size field of a Resizable BAR Capability is programmed, any value previously programmed in the corresponding BAR is cleared and the number of writable bits in that BAR is immediately changed to reflect the new size.

Error Detection

The *PCI Express Base Specification* identifies a number of errors a PCIe port should check for, together with a number of additional optional checks.

Most of the required checks (including several of the optional checks) are carried out by the integrated block. Some, however, need to be implemented by the user. The integrated block performs checks on received TLPs only. You must perform all checks on transmit TLPs. Details of checks made by the integrated block or you are shown in [Table 3-42](#). This table is organized broadly in line with the sections of the *PCI Express Base Specification* describing how these checks should be made.

Table 3-42: Error Checking Summary

	PCI Express Specification Section	Check is Required or Optional	Where Check is Implemented
Checks Made Regarding TLPs with Data Payloads			
That the data payload of a TLP does not exceed Max_Payload_Size. Any TLP that violates this rule is a Malformed TLP.	2.2.2	Required	Integrated Block
That where a TLP includes data, the actual amount of data matches the value in the length field. Any TLP that violates this rule is a Malformed TLP.	2.2.2	Required	Integrated Block

Table 3-42: Error Checking Summary (Cont'd)

	PCI Express Specification Section	Check is Required or Optional	Where Check is Implemented
Checks Made Regarding TLP Digests			
That the presence (or absence) of a digest correctly reflects the setting of the TD field. Any TLP that violates this rule is a Malformed TLP.	2.2.3	Required	Integrated Block
Checks Made Regarding First/Last DWORD Byte Enable (1 DWORD = 32 bits)			
<ul style="list-style-type: none"> • That if length > 1 DWORD, then the first DWORD BE is not 0000 • That if length = 1 DWORD, then the last DWORD BE is 0000 • That if length > 1 DWORD, then the last DWORD BE is not 0000 • That the BEs are not non-contiguous for packets ≥ 3DW in length or 2 DWORD packets that are not QWORD aligned Any TLP that violates these rules is a Malformed TLP.	2.2.5	Optional	User
Checks Made Regarding Memory, I/O, and Configuration Requests			
That the tag field is the correct length for the current configuration. The tag field for received and transmitted memory and I/O requests must be checked by the user.	2.2.6.2	Optional	Integrated Block
That MWr requests do not specify an Address/Length combination that causes a Memory Space access to cross a 4 KB boundary. Any MWr request that violates this rule is treated as a Malformed TLP. For MRd requests, this optional check should be implemented in the fabric, if desired.	2.2.7	Optional	Integrated Block
That I/O requests obey these restrictions: <ul style="list-style-type: none"> • TC[2:0] must be 000b • Attr[1:0] must be 00b • AT[1:0] must be 00b • Length[9:0] must be 00 0000 0001b • The last DW BE[3:0] must be 000b Any I/O request that violates this rule is treated as a Malformed TLP.	2.2.7	Optional	Integrated Block
That configuration requests obey these restrictions: <ul style="list-style-type: none"> • TC[2:0] must be 000b • Attr[1:0] must be 00b • AT[1:0] must be 00b • Length[9:0] must be 00 0000 0001b • The last DW BE[3:0] must be 000b Any configuration request that violates this rule is treated as a Malformed TLP.	2.2.7	Optional	Integrated Block
That configuration requests address a valid function number field.	7.3.2	Required	Integrated Block
Checks Made Regarding Message Requests			
That Assert_INTx/Deassert_INTx Messages are only issued by upstream Ports. Any Assert_INTx/Deassert_INTx Message that violates this rule is treated as a Malformed TLP.	2.2.8.1	Optional	Integrated Block

Table 3-42: Error Checking Summary (Cont'd)

	PCI Express Specification Section	Check is Required or Optional	Where Check is Implemented
That Assert_INTx/Deassert_INTx Messages use TC0. Any Assert_INTx/Deassert_INTx Message that violates this rule is treated as a Malformed TLP.	2.2.8.1	Required	Integrated Block
That Power Management Messages use TC0. Any PM Message that violates this rule is treated as a Malformed TLP.	2.2.8.2	Required	Integrated Block
That Error Signaling Messages use TC0. Any Error Signaling Message that violates this rule is treated as a Malformed TLP.	2.2.8.3	Required	Integrated Block
That Unlock Messages use TC0. Any Unlock Message that violates this rule is treated as a Malformed TLP.	2.2.8.4	Required	Integrated Block
That Set_Slot_Power_Limit Messages use TC0. Any Set_Slot_Power_Limit message that violates this rule is treated as a Malformed TLP.	2.2.8.5	Required	Integrated Block
Unsupported Type 0 Vendor-Defined Messages. Reported as unsupported requests. Note: Type 1 Vendor-Defined Messages should be ignored.	2.2.8.6	Required	User
Unsupported messages, that is, all messages other than: <ul style="list-style-type: none"> • Supported Type 0 Vendor-Defined Messages (message code 01111110) • Type 1 Vendor-Defined Messages (message code 01111111) • Ignored Messages (messages codes 01000000, 01000001, 01000011, 01000100, 01000101, 01000111, 01001000) Reported as unsupported requests.	2.2.8.6, 2.2.8.7	Required	User
That Latency Tolerance Reporting Messages use TC0. Any Latency Tolerance Reporting message that violates this rule is treated as a Malformed TLP.	2.2.8.8	Optional	User
That TLPs containing a TLP Prefix must have an underlying TLP Header. A TLP that violates this rule is treated as a Malformed TLP.	2.2.10	Optional	User
That in a TLPs containing a combinations of Local and End-End TLP Prefixes, all Local TLP Prefixes precede any End-End TLP Prefixes. Any TLP that violates this rule is treated as a Malformed TLP.	2.2.10	Optional	User
It is an error to receive a TLP with a Local TLP Prefix type not supported by the Receiver. If the Extended Fmt Field Supported bit is set, any TLP that violates this rule is treated as a Malformed TLP.	2.2.10.1	Optional	User
That the maximum number of End-End TLP Prefixes permitted in a TLP is 4. Any TLP that violates this rule is treated as a Malformed TLP.	2.2.10.2	Optional	User
It is an error to receive a TLP with End-End TLP Prefix by a Receiver that does not support End-End Prefixes. Any TLP that violates this rule is treated as a Malformed TLP.	2.2.10.2	Optional	User
Checks Made Regarding Handling of TLPs			
If the Extended Fmt Field Supported bit is set, Received TLPs that use encodings of Fmt and Type that are Reserved are treated as Malformed TLPs.	2.3	Optional	User

Table 3-42: Error Checking Summary (Cont'd)

	PCI Express Specification Section	Check is Required or Optional	Where Check is Implemented
That TLPs with Fmt[2] clear and that use undefined Type field values are treated as Malformed TLPs.	2.3	Optional	User
That any received TLP passes the required and implemented optional checks on TLP formation. Any TLP that violates this rule is a malformed TLP. The user must generate the appropriate completion TLP.	2.3	Required	Integrated Block
That Memory Read Request-Locked (MRdLk) requests do not include a payload. Any MRdLk requests with payload must be discarded by the user and a malformed TLP must be signaled.	2.3	Required	User
That a Completion with Data (CpID) has a 3DW header. Any CpID with a 4 DW header must be discarded by the user and a malformed TLP must be signaled.	2.3	Required	User
That an I/O request has a 3DW header. Any I/O request with a 4DW header must be discarded by the user and a malformed TLP must be signaled.	2.2.7	Required	User
That the byte enable rules for received memory reads are followed. If not, TLP must be discarded by the user and a malformed TLP must be signaled.	2.2.5	Required	User
Checks Made Regarding Request Handling			
Unsupported request types. Reported as an unsupported request. The user must generate the appropriate completion TLP.	2.3.1	Required	Integrated Block
Requests that violate the programming model of the device. Reported as a completer abort. The user must generate the appropriate completion TLP.	2.3.1	Optional	User
Requests that cannot be processed due to a device-specific error condition. Reported as a completer abort. The user must generate the appropriate completion TLP.	2.3.1	Required	User
That completions do not include more data than permitted by the Max_Payload_Size. Any completion that violates this rule is treated as a Malformed TLP.	2.3.1.1	Required	Integrated Block
Violations of RCB. Any completion that violates the RCB rules is treated as a Malformed TLP.	2.3.1.1	Optional	User
Checks Made Regarding Completion Handling			
Unexpected completions.	2.3.2	Required	User
Completions with a status of request retry for requests other than configuration requests. Treated as a malformed TLP.	2.3.2	Optional	User
Completions with a completion status of unsupported request or completer abort. Reported via conventional PCI reporting mechanisms.	2.3.2	Required	User

Table 3-42: Error Checking Summary (Cont'd)

	PCI Express Specification Section	Check is Required or Optional	Where Check is Implemented
Checks Made Regarding Virtual Channel Mechanism			
That requesters that do not support the VC capability structure only operate on TC0. Received requests on TC1-TC7 must be handled normally (without error) and completions must be returned on the same TC in which the request was received.	2.5	Optional	User
That the TC associated with each TLP is mapped to an enabled VC at an Ingress Port. Any TLP that violates this rule is treated as a Malformed TLP.	2.5.3	Required	Integrated Block
Checks Made Regarding Flow Control			
That the initial FC value is greater than or equal to the minimum advertisement. Reported as a flow control protocol error. Requires knowledge of the device and the Max Payload Size setting at the far end of the link.	2.6.1	Optional	User
That no receiver ever cumulatively issues more than 2047 outstanding unused data credits or 127 outstanding unused header credits. Reported as a flow control protocol error.	2.6.1	Optional	Integrated Block
That if infinite credits are advertised during initialization, all updates must also be infinite. Reported as a flow control protocol error. This also applies where just a header or just the data has been advertised as infinite.	2.6.1	Optional	Integrated Block
That the VC used by a TLP has been enabled. Any TLP that violates this rule is treated as a Malformed TLP.	2.6.1	Required	Integrated Block
Receiver Overflow. The <i>PCI Express Base Specification</i> defines this as happening where the number of TLPs exceeds <code>CREDITS_ALLOCATED</code> .	2.6.1.2	Optional	Integrated Block
That Update FCPs are scheduled for transmission at the specified interval.	2.6.1.2	Optional	Integrated Block
Checks Made Regarding Data Integrity			
Integrity of TD bit in messages received and forwarded by switches. Any failed ECRC checks are reported.	2.7.1	Required	Integrated Block ⁽¹⁾
Receipt of a Poisoned TLP.	2.7.2.2	Required	User
Checks Made Regarding Completion Timeout			
That the completion timeout timer does not expire in less than 50 μ s but must expire if a request is not completed in 50 ms.	2.8	Required	User
Checks Made Regarding LCRC and Sequence Number (TLP Transmitter)			
REPLAY_NUM rolling over from 11b to 00b. Causes the Transmitter to: (a) report an error; (b) signal the Physical Layer to retrain the Link.	3.5.2.1	Required	Integrated Block
Retry buffer containing TLPs for which no Ack or Nak DLLP has been received for a period exceeding specified maximum time. Causes the Transmitter to: (a) report an error; (b) initiate a replay.	3.5.2.1	Required	Integrated Block

Table 3-42: Error Checking Summary (Cont'd)

	PCI Express Specification Section	Check is Required or Optional	Where Check is Implemented
Value in the CRC field of all received DLLPs compared with calculated result. If not equal: (a) the DLLP is discarded as corrupt; (b) an error is reported.	3.5.2.1	Required	Integrated Block
Sequence Number specified by the AckNak_Seq_Num compared with that of unacknowledged TLPs and value in ACKD_SEQ. If no match found: (a) the DLLP is discarded; (b) a DLLP error is reported.	3.5.2.1	Required	Integrated Block
Checks Made Regarding LCRC and Sequence Number (TLP Receiver)			
LCRC field of the received TLP compared with calculated result. If not equal: (a) the TLP is discarded as corrupt; (b) an error is reported.	3.5.3.1	Required	Integrated Block
LCRC field of the received TLP compared with logical NOT of calculated result if TLP end framing symbol is EDB. LCRC does not match logical NOT of the calculated value: (a) the TLP is discarded as corrupt; (b) an error is reported.	3.5.3.1	Required	Integrated Block
TLP Sequence Number compared with expected value stored in NEXT_RCV_SEQ. If not equal, an error is reported.	3.5.3.1	Required	Integrated Block
Checks Resulting in Receiver Errors			
Validity of received 8B/10B symbols bearing in mind the running disparity. Errors reported as Receiver Errors.	4.2.1.3	Required	Integrated Block
Framing Errors, Loss of Symbol Lock, Lane Deskew Errors, and Elasticity Buffer Overflow/Underflow. Errors reported as Receiver Errors.	4.2.2.1	Optional	User

Notes:

1. The integrated block checks the ECRC depending on the customizable ECRC check setting.

Power Management

The Integrated Block core supports these power management modes:

- Active State Power Management (ASPM)
- Programmed Power Management (PPM)

Implementing these power management functions as part of the PCI Express design enables the PCI Express hierarchy to seamlessly exchange power-management messages to save system power. All power management message identification functions are implemented. The subsections in this section describe the user logic definition to support the above modes of power management.

For additional information on ASPM and PPM implementation, see the *PCI Express Base Specification* [Ref 2].

Active State Power Management

The Active State Power Management (ASPM) functionality is autonomous and transparent from a user-logic function perspective. The core supports the conditions required for ASPM. The integrated block supports ASPM L0s.

Programmed Power Management

To achieve considerable power savings on the PCI Express hierarchy tree, the core supports these link states of Programmed Power Management (PPM):

- L0: Active State (data exchange state)
- L1: Higher Latency, lower power standby state
- L3: Link Off State

The Programmed Power Management Protocol is initiated by the Downstream Component/Upstream Port.

PPM L0 State

The L0 state represents *normal* operation and is transparent to the user logic. The core reaches the L0 (active state) after a successful initialization and training of the PCI Express Link(s) as per the protocol.

PPM L1 State

These steps outline the transition of the core to the PPM L1 state:

1. The transition to a lower power PPM L1 state is always initiated by an upstream device, by programming the PCI Express device power state to D3-hot (or to D1 or D2 if they are supported).
2. The device power state is communicated to the user logic through the `cfg_pmcsr_powerstate[1:0]` output.
3. The core then throttles/stalls the user logic from initiating any new transactions on the user interface by deasserting `s_axis_tx_tready`. Any pending transactions on the user interface are, however, accepted fully and can be completed later.

There are two exceptions to this rule:

- The core is configured as an Endpoint and the User Configuration Space is enabled. In this situation, the user must refrain from sending new Request TLPs if `cfg_pmcsr_powerstate[1:0]` indicates non-D0, but the user can return Completions to Configuration transactions targeting User Configuration space.

- The core is configured as a Root Port. To be compliant in this situation, the user should refrain from sending new Requests if `cfg_pmcsr_powerstate[1:0]` indicates non-D0.
4. The core exchanges appropriate power management DLLPs with its link partner to successfully transition the link to a lower power PPM L1 state. This action is transparent to the user logic.
 5. All user transactions are stalled for the duration of time when the device power state is non-D0, with the exceptions indicated in step 3.

Note: The user logic, after identifying the device power state as non-D0, can initiate a request through the `cfg_pm_wake` to the upstream link partner to configure the device back to the D0 power state. If the upstream link partner has not configured the device to allow the generation of PM_PME messages (`cfg_pmcsr_pme_en = 0`), the assertion of `cfg_pm_wake` is ignored by the core.

PPM L3 State

These steps outline the transition of the Endpoint for PCI Express to the PPM L3 state:

1. The core negotiates a transition to the L23 Ready Link State upon receiving a `PME_Turn_Off` message from the upstream link partner.
2. Upon receiving a `PME_Turn_Off` message, the core initiates a handshake with the user logic through `cfg_to_turnoff` (see [Table 3-43](#)) and expects a `cfg_turnoff_ok` back from the user logic.
3. A successful handshake results in a transmission of the Power Management Turn-off Acknowledge (`PME-turnoff_ack`) Message by the core to its upstream link partner.
4. The core closes all its interfaces, disables the Physical/Data-Link/Transaction layers and is ready for *removal* of power to the core.

There are two exceptions to this rule:

- The core is configured as an Endpoint and the User Configuration Space is enabled. In this situation, the user must refrain from sending new Request TLPs if `cfg_pmcsr_powerstate[1:0]` indicates non-D0, but the user can return Completions to Configuration transactions targeting User Configuration space.
- The core is configured as a Root Port. To be compliant in this situation, the user should refrain from sending new Requests if `cfg_pmcsr_powerstate[1:0]` indicates non-D0.

Table 3-43: Power Management Handshaking Signals

Port Name	Direction	Description
<code>cfg_to_turnoff</code>	Output	Asserted if a power-down request TLP is received from the upstream device. After assertion, <code>cfg_to_turnoff</code> remains asserted until the user asserts <code>cfg_turnoff_ok</code> .
<code>cfg_turnoff_ok</code>	Input	Asserted by the User Application when it is safe to power down.

Power-down negotiation follows these steps:

1. Before power and clock are turned off, the Root Complex or the Hot-Plug controller in a downstream switch issues a PME_Turn_Off broadcast message.
2. When the core receives this TLP, it asserts `cfg_to_turnoff` to the User Application and starts polling the `cfg_turnoff_ok` input.
3. When the User Application detects the assertion of `cfg_to_turnoff`, it must complete any packet in progress and stop generating any new packets. After the User Application is ready to be turned off, it asserts `cfg_turnoff_ok` to the core. After assertion of `cfg_turnoff_ok`, the User Application has committed to being turned off.
4. The core sends a PME_TO_Ack when it detects assertion of `cfg_turnoff_ok`, as displayed in [Figure 3-67](#) (64-bit).

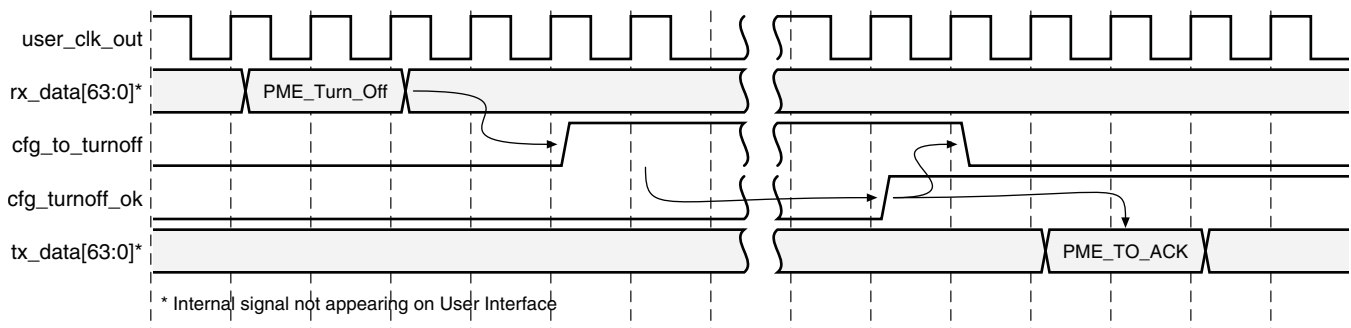


Figure 3-67: Power Management Handshaking: 64-Bit

Generating Interrupt Requests

Note: This section is only applicable to the Endpoint Configuration of the 7 Series FPGAs Integrated Block for PCI Express.

The Integrated Block core supports sending interrupt requests as either legacy, Message MSI, or MSI-X interrupts. The mode is programmed using the MSI Enable bit in the Message Control Register of the MSI Capability Structure and the MSI-X Enable bit in the MSI-X Message Control Register of the MSI-X Capability Structure. For more information on the MSI and MSI-X capability structures, see section 6.8 of the *PCI Local Base Specification v3.0* [Ref 2].

The state of the MSI Enable and MSI-X Enabled bits are reflected by the `cfg_interrupt_msienable` and `cfg_interrupt_msixeable` outputs, respectively. [Table 3-44](#) describes the Interrupt Mode the device has been programmed to, based on the `cfg_interrupt_msienable` and `cfg_interrupt_msixenable` outputs of the core.

Table 3-44: Interrupt Modes

	cfg_interrupt_msixenable=0	cfg_interrupt_msixenable=1
cfg_interrupt_msienable=0	Legacy Interrupt (INTx) mode. The cfg_interrupt interface only sends INTx messages.	MSI-X mode. MSI-X interrupts must be generated by the user by composing MWr TLPs on the transmit AXI4-Stream interface; Do not use the cfg_interrupt interface. The cfg_interrupt interface is active and sends INTx messages, but the user should refrain from doing so.
cfg_interrupt_msienable=1	MSI mode. The cfg_interrupt interface only sends MSI interrupts (MWr TLPs).	Undefined. System software is not supposed to permit this. However, the cfg_interrupt interface is active and sends MSI interrupts (MWr TLPs) if the user chooses to do so.

The MSI Enable bit in the MSI control register, the MSI-X Enable bit in the MSI-X Control Register, and the Interrupt Disable bit in the PCI Command register are programmed by the Root Complex. The User Application has no direct control over these bits.

The Internal Interrupt Controller in the 7 Series FPGAs Integrated Block for PCI Express core only generates Legacy Interrupts and MSI Interrupts. MSI-X Interrupts need to be generated by the User Application and presented on the transmit AXI4-Stream interface. The status of cfg_interrupt_msienable determines the type of interrupt generated by the internal Interrupt Controller:

If the MSI Enable bit is set to a 1, then the core generates MSI requests by sending Memory Write TLPs. If the MSI Enable bit is set to 0, the core generates legacy interrupt messages as long as the Interrupt Disable bit in the PCI Command Register is set to 0:

- cfg_command[10] = 0: INTx interrupts enabled
- cfg_command[10] = 1: INTx interrupts disabled (request are blocked by the core)
- cfg_interrupt_msienable = 0: Legacy Interrupt
- cfg_interrupt_msienable = 1: MSI

Regardless of the interrupt type used (Legacy or MSI), the user initiates interrupt requests through the use of cfg_interrupt and cfg_interrupt_rdy as shown in [Table 3-45](#).

Table 3-45: Interrupt Signalling

Port Name	Direction	Description
cfg_interrupt	Input	Assert to request an interrupt. Leave asserted until the interrupt is serviced.
cfg_interrupt_rdy	Output	Asserted when the core accepts the signaled interrupt request.

The User Application requests interrupt service in one of two ways, each of which are described next.

Legacy Interrupt Mode

- As shown in Figure 3-68, the User Application first asserts `cfg_interrupt` and `cfg_interrupt_assert` to assert the interrupt. The User Application should select a specific interrupt (INTA) using `cfg_interrupt_di[7:0]` as shown in Table 3-46.
- The core then asserts `cfg_interrupt_rdy` to indicate the interrupt has been accepted. On the following clock cycle, the User Application deasserts `cfg_interrupt` and, if the Interrupt Disable bit in the PCI Command register is set to 0, the core sends an assert interrupt message (Assert_INTA).
- After the User Application has determined that the interrupt has been serviced, it asserts `cfg_interrupt` while deasserting `cfg_interrupt_assert` to deassert the interrupt. The appropriate interrupt must be indicated via `cfg_interrupt_di[7:0]`.
- The core then asserts `cfg_interrupt_rdy` to indicate the interrupt deassertion has been accepted. On the following clock cycle, the User Application deasserts `cfg_interrupt` and the core sends a deassert interrupt message (Deassert_INTA).

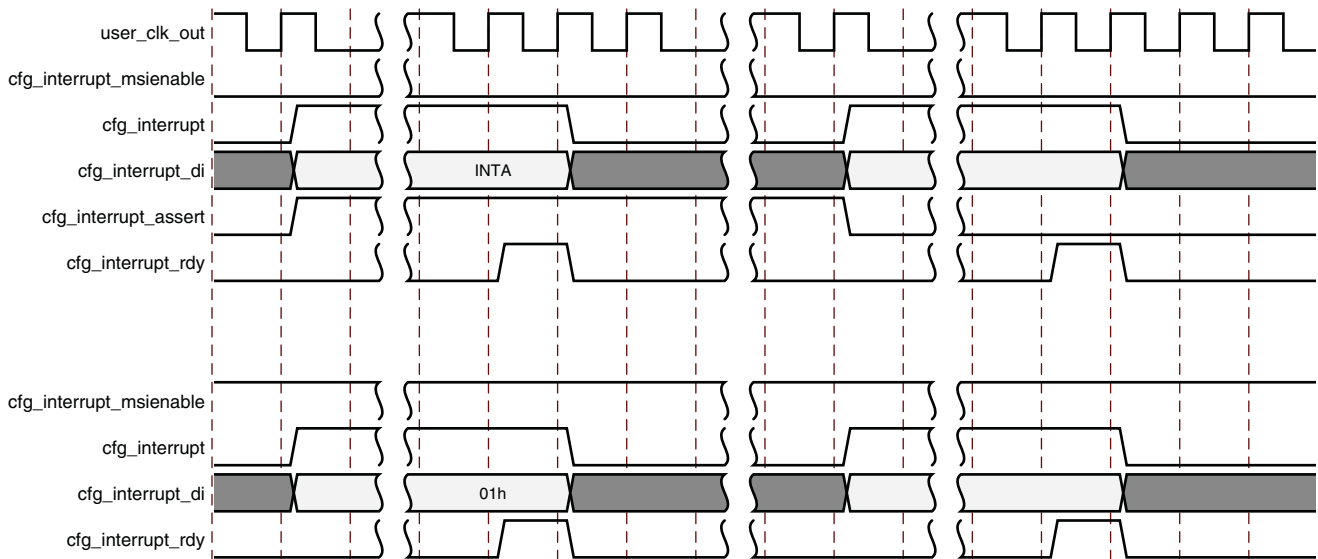


Figure 3-68: Requesting Interrupt Service: MSI and Legacy Mode

Table 3-46: Legacy Interrupt Mapping

<code>cfg_interrupt_di[7:0]</code> value	Legacy Interrupt
00h	INTA
01h - FFh	Not Supported

MSI Mode

- As shown in [Figure 3-68](#), the User Application first asserts `cfg_interrupt`. Additionally the User Application supplies a value on `cfg_interrupt_di[7:0]` if Multi-Vector MSI is enabled.
- The core asserts `cfg_interrupt_rdy` to signal that the interrupt has been accepted and the core sends a MSI Memory Write TLP. On the following clock cycle, the User Application deasserts `cfg_interrupt` if no further interrupts are to be sent.

The MSI request is either a 32-bit addressable Memory Write TLP or a 64-bit addressable Memory Write TLP. The address is taken from the Message Address and Message Upper Address fields of the MSI Capability Structure, while the payload is taken from the Message Data field. These values are programmed by system software through configuration writes to the MSI Capability structure. When the core is configured for Multi-Vector MSI, system software can permit Multi-Vector MSI messages by programming a non-zero value to the Multiple Message Enable field.

The type of MSI TLP sent (32-bit addressable or 64-bit addressable) depends on the value of the Upper Address field in the MSI capability structure. By default, MSI messages are sent as 32-bit addressable Memory Write TLPs. MSI messages use 64-bit addressable Memory Write TLPs only if the system software programs a non-zero value into the Upper Address register.

When Multi-Vector MSI messages are enabled, the User Application can override one or more of the lower-order bits in the Message Data field of each transmitted MSI TLP to differentiate between the various MSI messages sent upstream. The number of lower-order bits in the Message Data field available to the User Application is determined by the lesser of the value of the Multiple Message Capable field, as set in the CORE Generator tool, and the Multiple Message Enable field, as set by system software and available as the `cfg_interrupt_mmenable[2:0]` core output. The core masks any bits in `cfg_interrupt_di[7:0]` which are not configured by system software via Multiple Message Enable.

This pseudo-code shows the processing required:

```
// Value MSI_Vector_Num must be in range: 0 ≤ MSI_Vector_Num ≤
(2^cfg_interrupt_mmenable)-1

if (cfg_interrupt_msienable) {           // MSI Enabled
  if (cfg_interrupt_mmenable > 0) {     // Multi-Vector MSI Enabled
    cfg_interrupt_di[7:0] = {Padding_0s, MSI_Vector_Num};
  } else {                               // Single-Vector MSI Enabled
    cfg_interrupt_di[7:0] = Padding_0s;
  }
} else {
  // Legacy Interrupts Enabled
}
```

For example:

1. If `cfg_interrupt_mmenable[2:0] == 000b`, that is, 1 MSI Vector Enabled, then `cfg_interrupt_di[7:0] = 00h`;
2. if `cfg_interrupt_mmenable[2:0] == 101b`, that is, 32 MSI Vectors Enabled, then `cfg_interrupt_di[7:0] = {{000b}, {MSI_Vector#}}`;

where `MSI_Vector#` is a 5-bit value and is allowed to be `00000b ≤ MSI_Vector# ≤ 11111b`.

If Per-Vector Masking is enabled, the user must first verify that the vector being signaled is not masked in the Mask register. This is done by reading this register on the Configuration interface (the core does not look at the Mask register).

MSI-X Mode

The 7 Series FPGAs Integrated Block for PCI Express optionally supports the MSI-X Capability Structure. The MSI-X vector table and the MSI-X Pending Bit Array need to be implemented as part of the user's logic, by claiming a BAR aperture.

If the `cfg_interrupt_msixenable` output of the core is asserted, the User Application should compose and present the MSI-X interrupts on the transmit AXI4-Stream interface.

Link Training: 2-Lane, 4-Lane, and 8-Lane Components

The 2-lane, 4-lane, and 8-lane Integrated Block for PCI Express can operate at less than the maximum lane width as required by the *PCI Express Base Specification* [Ref 2]. Two cases cause core to operate at less than its specified maximum lane width, as defined in these subsections.

Link Partner Supports Fewer Lanes

When the 2-lane core is connected to a device that implements only 1 lane, the 2-lane core trains and operates as a 1-lane device using lane 0.

When the 4-lane core is connected to a device that implements 1 lane, the 4-lane core trains and operates as a 1-lane device using lane 0, as shown in [Figure 3-69](#). Similarly, if the 4-lane core is connected to a 2-lane device, the core trains and operates as a 2-lane device using lanes 0 and 1.

When the 8-lane core is connected to a device that only implements 4 lanes, it trains and operates as a 4-lane device using lanes 0-3. Additionally, if the connected device only implements 1 or 2 lanes, the 8-lane core trains and operates as a 1- or 2-lane device.

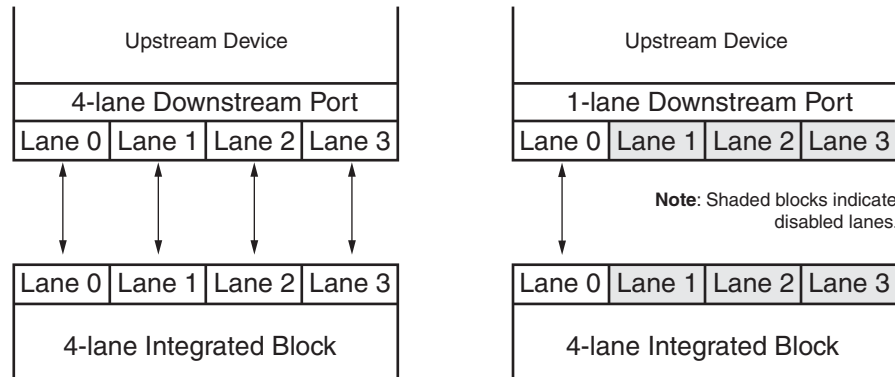


Figure 3-69: Scaling of 4-Lane Endpoint Block from 4-Lane to 1-Lane Operation

Lane Becomes Faulty

If a link becomes faulty after training to the maximum lane width supported by the core and the link partner device, the core attempts to recover and train to a lower lane width, if available. If lane 0 becomes faulty, the link is irrecoverably lost. If any or all of lanes 1–7 become faulty, the link goes into *recovery* and attempts to recover the largest viable link with whichever lanes are still operational.

For example, when using the 8-lane core, loss of lane 1 yields a recovery to 1-lane operation on lane 0, whereas the loss of lane 6 yields a recovery to 4-lane operation on lanes 0-3. After recovery occurs, if the failed lane(s) becomes *alive* again, the core does not attempt to recover to a wider link width. The only way a wider link width can occur is if the link actually goes down and it attempts to retrain from scratch.

The `user_clk_out` clock output is a fixed frequency configured in the CORE Generator tool GUI. `user_clk_out` does not shift frequencies in case of link recovery or training down.

Lane Reversal

The integrated Endpoint block supports limited lane reversal capabilities and therefore provides flexibility in the design of the board for the link partner. The link partner can choose to lay out the board with reversed lane numbers and the integrated Endpoint block continues to link train successfully and operate normally. The configurations that have lane reversal support are x8 and x4 (excluding downshift modes). Downshift refers to the link width negotiation process that occurs when link partners have different lane width capabilities advertised. As a result of lane width negotiation, the link partners negotiate down to the smaller of the two advertised lane widths. Table 3-47 describes the several possible combinations including downshift modes and availability of lane reversal support.

Table 3-47: Lane Reversal Support

Endpoint Block Advertised Lane Width	Negotiated Lane Width	Lane Number Mapping (Endpoint Link Partner)		Lane Reversal Supported
		Endpoint	Link Partner	
x8	x8	Lane 0 ... Lane 7	Lane 7 ... Lane 0	Yes
x8	x4	Lane 0 ... Lane 3	Lane 7 ... Lane 4	No ⁽¹⁾
x8	x2	Lane 0 ... Lane 3	Lane 7 ... Lane 6	No ⁽¹⁾
x4	x4	Lane 0 ... Lane 3	Lane 3 ... Lane 0	Yes
x4	x2	Lane 0 ... Lane 1	Lane 3 ... Lane 2	No ⁽¹⁾
x2	x2	Lane 0 ... Lane 1	Lane 1... Lane 0	Yes
x2	x1	Lane 0 ... Lane 1	Lane 1	No ⁽¹⁾

Notes:

1. When the lanes are reversed in the board layout and a downshift adapter card is inserted between the Endpoint and link partner, Lane 0 of the link partner remains unconnected (as shown by the lane mapping in Table 3-47) and therefore does not link train.

Using the Dynamic Reconfiguration Port Interface

The Dynamic Reconfiguration Port (DRP) interface allows read and write access to the FPGA configuration memory bits of the integrated block instantiated as part of the core. These configuration memory bits are represented as attributes of the PCIE_2_1 library element.

The DRP interface is a standard interface found on many integrated IP blocks in Xilinx devices. For detailed information about how the DRP interface works with the FPGA configuration memory, see the *7 Series FPGAs Configuration User Guide (UG470)* [Ref 7].

Writing and Reading the DRP Interface

The interface is a processor-friendly synchronous interface with an address bus (drp_addr) and separated data buses for reading (drp_do) and writing (drp_di) configuration data to the PCIE_2_1 block. An enable signal (drp_en), a read/write signal (drp_we), and a ready/valid signal (drp_rdy) are the control signals that implement read and write operations, indicate operation completion, or indicate the availability of data. Figure 3-70 shows a write cycle, and Figure 3-71 shows a read cycle.

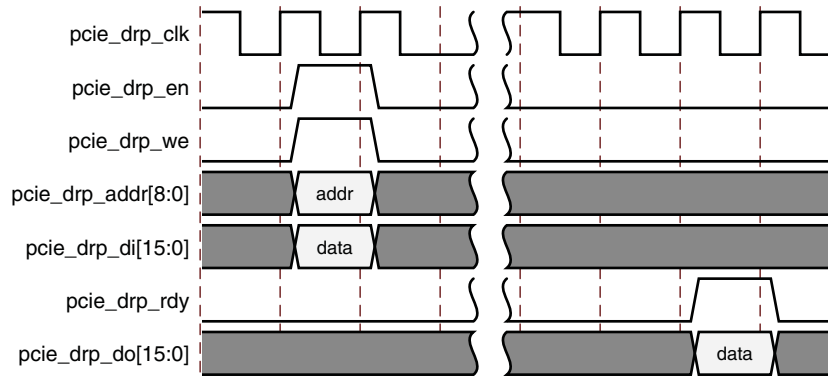


Figure 3-70: DRP Interface Write Cycle

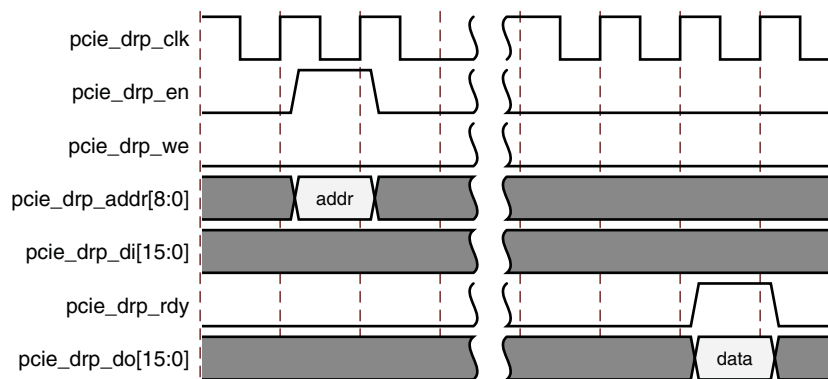


Figure 3-71: DRP Interface Read Cycle

Other Considerations for the DRP Interface

Updating attribute values through the DRP port is only supported while the core is in reset with `sys_rst_n` asserted. Behavior of the core is undefined if attributes are updated on-the-fly with `sys_rst_n` deasserted. Reading attributes through the DRP port is independent of `sys_rst_n`.

Attributes larger than 16 bits span two `drp_daddr` addresses, for example `BAR0[31:0]` requires two accesses to read or write the attribute. Additionally, some attributes share a single `drp_daddr` address. The user should employ a read-modify-write approach so that shared-address attributes are not modified unintentionally.

There are a number of attributes that should not be modified via DRP, because these attributes need to be set in an aligned manner with the rest of the design. For example, changing the memory latency attributes on the `PCIE_2_1` block without changing the actual number of pipeline registers attached to the block RAM causes a functional failure. These attributes are included in this category:

- `DEV_CAP_MAX_PAYLOAD_SUPPORTED`
- `VC0_TX_LASTPACKET`

- TL_TX_RAM_RADDR_LATENCY
- TL_TX_RAM_RDATA_LATENCY
- TL_TX_RAM_WRITE_LATENCY
- VCO_RX_LIMIT
- TL_RX_RAM_RADDR_LATENCY
- TL_RX_RAM_RDATA_LATENCY
- TL_RX_RAM_WRITE_LATENCY

DRP Address Map

Table 3-48 defines the DRP address map for the PCIE_2_1 library element attributes. Some attributes span two addresses, for example, BAR0. In addition, some addresses contain multiple attributes; for example, address 0x004 contains both AER_CAP_NEXTPTR[11:0] and AER_CAP_ON.

Table 3-48: DRP Address Map for PCIE_2_1 Library Element Attributes

Attribute Name	Address drp_daddr[8:0]	Data Bits drp_di[15:0] or drp_do[15:0]
AER_CAP_ECRC_CHECK_CAPABLE	0x000	[0]
AER_CAP_ECRC_GEN_CAPABLE	0x000	[1]
AER_CAP_ID[15:0]	0x001	[15:0]
AER_CAP_PERMIT_ROOTERR_UPDATE	0x002	[0]
AER_CAP_VERSION[3:0]	0x002	[4:1]
AER_BASE_PTR[11:0]	0x003	[11:0]
AER_CAP_NEXTPTR[11:0]	0x004	[11:0]
AER_CAP_ON	0x004	[12]
AER_CAP_OPTIONAL_ERR_SUPPORT[15:0]	0x005	[15:0]
AER_CAP_OPTIONAL_ERR_SUPPORT[23:16]	0x006	[7:0]
AER_CAP_MULTIHEADER	0x006	[8]
BAR0[15:0]	0x007	[15:0]
BAR0[31:16]	0x008	[15:0]
BAR1[15:0]	0x009	[15:0]
BAR1[31:16]	0x00a	[15:0]
BAR2[15:0]	0x00b	[15:0]
BAR2[31:16]	0x00c	[15:0]
BAR3[15:0]	0x00d	[15:0]
BAR3[31:16]	0x00e	[15:0]

Table 3-48: DRP Address Map for PCIE_2_1 Library Element Attributes (Cont'd)

Attribute Name	Address drp_daddr[8:0]	Data Bits drp_di[15:0] or drp_do[15:0]
BAR4[15:0]	0x00f	[15:0]
BAR4[31:16]	0x010	[15:0]
BAR5[15:0]	0x011	[15:0]
BAR5[31:16]	0x012	[15:0]
EXPANSION_ROM[15:0]	0x013	[15:0]
EXPANSION_ROM[31:16]	0x014	[15:0]
CAPABILITIES_PTR[7:0]	0x015	[7:0]
CARDBUS_CIS_POINTER[15:0]	0x016	[15:0]
CARDBUS_CIS_POINTER[31:16]	0x017	[15:0]
CLASS_CODE[15:0]	0x018	[15:0]
CLASS_CODE[23:16]	0x019	[7:0]
CMD_INTX_IMPLEMENTED	0x019	[8]
CPL_TIMEOUT_DISABLE_SUPPORTED	0x019	[9]
CPL_TIMEOUT_RANGES_SUPPORTED[3:0]	0x019	[13:10]
DEV_CAP2_ARI_FORWARDING_SUPPORTED	0x019	[14]
DEV_CAP2_ATOMICOP_ROUTING_SUPPORTED	0x019	[15]
DEV_CAP2_ATOMICOP32_COMPLETER_SUPPORTED	0x01a	[0]
DEV_CAP2_ATOMICOP64_COMPLETER_SUPPORTED	0x01a	[1]
DEV_CAP2_CAS128_COMPLETER_SUPPORTED	0x01a	[2]
DEV_CAP2_NO_RO_ENABLED_PRPR_PASSING	0x01a	[3]
DEV_CAP2_LTR_MECHANISM_SUPPORTED	0x01a	[4]
DEV_CAP2_TPH_COMPLETER_SUPPORTED[1:0]	0x01a	[6:5]
DEV_CAP2_EXTENDED_FMT_FIELD_SUPPORTED	0x01a	[7]
DEV_CAP2_ENDEND_TLP_PREFIX_SUPPORTED	0x01a	[8]
DEV_CAP2_MAX_ENDEND_TLP_PREFIXES[1:0]	0x01a	[10:9]
ENDEND_TLP_PREFIX_FORWARDING_SUPPORTED	0x01a	[11]
DEV_CAP_ENABLE_SLOT_PWR_LIMIT_SCALE	0x01a	[12]
DEV_CAP_ENABLE_SLOT_PWR_LIMIT_VALUE	0x01a	[13]
DEV_CAP_ENDPOINT_L0S_LATENCY[2:0]	0x01b	[2:0]
DEV_CAP_ENDPOINT_L1_LATENCY[2:0]	0x01b	[5:3]
DEV_CAP_EXT_TAG_SUPPORTED	0x01b	[6]
DEV_CAP_FUNCTION_LEVEL_RESET_CAPABLE	0x01b	[7]
DEV_CAP_MAX_PAYLOAD_SUPPORTED[2:0]	0x01b	[10:8]

Table 3-48: DRP Address Map for PCIE_2_1 Library Element Attributes (Cont'd)

Attribute Name	Address drp_daddr[8:0]	Data Bits drp_di[15:0] or drp_do[15:0]
DEV_CAP_PHANTOM_FUNCTIONS_SUPPORT[1:0]	0x01b	[12:11]
DEV_CAP_ROLE_BASED_ERROR	0x01b	[13]
DEV_CAP_RSVD_14_12[2:0]	0x01c	[2:0]
DEV_CAP_RSVD_17_16[1:0]	0x01c	[4:3]
DEV_CAP_RSVD_31_29[2:0]	0x01c	[7:5]
DEV_CONTROL_AUX_POWER_SUPPORTED	0x01c	[8]
DEV_CONTROL_EXT_TAG_DEFAULT	0x01c	[9]
DSN_BASE_PTR[11:0]	0x01d	[11:0]
DSN_CAP_ID[15:0]	0x01e	[15:0]
DSN_CAP_NEXTPTR[11:0]	0x01f	[11:0]
DSN_CAP_ON	0x01f	[12]
DSN_CAP_VERSION[3:0]	0x020	[3:0]
EXT_CFG_CAP_PTR[5:0]	0x020	[9:4]
EXT_CFG_XP_CAP_PTR[9:0]	0x021	[9:0]
HEADER_TYPE[7:0]	0x022	[7:0]
INTERRUPT_PIN[7:0]	0x022	[15:8]
INTERRUPT_STAT_AUTO	0x023	[0]
IS_SWITCH	0x023	[1]
LAST_CONFIG_DWORD[9:0]	0x023	[11:2]
LINK_CAP_ASPM_SUPPORT[1:0]	0x023	[13:12]
LINK_CAP_CLOCK_POWER_MANAGEMENT	0x023	[14]
LINK_CAP_DLL_LINK_ACTIVE_REPORTING_CAP	0x023	[15]
LINK_CAP_L0S_EXIT_LATENCY_COMCLK_GEN1[2:0]	0x024	[2:0]
LINK_CAP_L0S_EXIT_LATENCY_COMCLK_GEN2[2:0]	0x024	[5:3]
LINK_CAP_L0S_EXIT_LATENCY_GEN1[2:0]	0x024	[8:6]
LINK_CAP_L0S_EXIT_LATENCY_GEN2[2:0]	0x024	[11:9]
LINK_CAP_L1_EXIT_LATENCY_COMCLK_GEN1[2:0]	0x024	[14:12]
LINK_CAP_L1_EXIT_LATENCY_COMCLK_GEN2[2:0]	0x025	[2:0]
LINK_CAP_L1_EXIT_LATENCY_GEN1[2:0]	0x025	[5:3]
LINK_CAP_L1_EXIT_LATENCY_GEN2[2:0]	0x025	[8:6]
LINK_CAP_LINK_BANDWIDTH_NOTIFICATION_CAP	0x025	[9]
LINK_CAP_MAX_LINK_SPEED[3:0]	0x025	[13:10]
LINK_CAP_ASPM_OPTIONALITY	0x025	[14]

Table 3-48: DRP Address Map for PCIE_2_1 Library Element Attributes (Cont'd)

Attribute Name	Address drp_daddr[8:0]	Data Bits drp_di[15:0] or drp_do[15:0]
LINK_CAP_RSVD_23	0x025	[15]
LINK_CAP_SURPRISE_DOWN_ERROR_CAPABLE	0x026	[0]
LINK_CONTROL_RCB	0x026	[1]
LINK_CTRL2_DEEMPHASIS	0x026	[2]
LINK_CTRL2_HW_AUTONOMOUS_SPEED_DISABLE	0x026	[3]
LINK_CTRL2_TARGET_LINK_SPEED[3:0]	0x026	[7:4]
LINK_STATUS_SLOT_CLOCK_CONFIG	0x026	[8]
MPS_FORCE	0x026	[9]
MSI_BASE_PTR[7:0]	0x027	[7:0]
MSI_CAP_64_BIT_ADDR_CAPABLE	0x027	[8]
MSI_CAP_ID[7:0]	0x028	[7:0]
MSI_CAP_MULTIMSG_EXTENSION	0x028	[8]
MSI_CAP_MULTIMSGCAP[2:0]	0x028	[11:9]
MSI_CAP_NEXTPTR[7:0]	0x029	[7:0]
MSI_CAP_ON	0x029	[8]
MSI_CAP_PER_VECTOR_MASKING_CAPABLE	0x029	[9]
MSIX_BASE_PTR[7:0]	0x02a	[7:0]
MSIX_CAP_ID[7:0]	0x02a	[15:8]
MSIX_CAP_NEXTPTR[7:0]	0x02b	[7:0]
MSIX_CAP_ON	0x02b	[8]
MSIX_CAP_PBA_BIR[2:0]	0x02b	[11:9]
MSIX_CAP_PBA_OFFSET[15:0]	0x02c	[15:0]
MSIX_CAP_PBA_OFFSET[28:16]	0x02d	[12:0]
MSIX_CAP_TABLE_BIR[2:0]	0x02d	[15:13]
MSIX_CAP_TABLE_OFFSET[15:0]	0x02e	[15:0]
MSIX_CAP_TABLE_OFFSET[28:16]	0x02f	[12:0]
MSIX_CAP_TABLE_SIZE[10:0]	0x030	[10:0]
PCIE_BASE_PTR[7:0]	0x031	[7:0]
PCIE_CAP_CAPABILITY_ID[7:0]	0x031	[15:8]
PCIE_CAP_CAPABILITY_VERSION[3:0]	0x032	[3:0]
PCIE_CAP_DEVICE_PORT_TYPE[3:0]	0x032	[7:4]
PCIE_CAP_NEXTPTR[7:0]	0x032	[15:8]
PCIE_CAP_ON	0x033	[0]

Table 3-48: DRP Address Map for PCIE_2_1 Library Element Attributes (Cont'd)

Attribute Name	Address drp_daddr[8:0]	Data Bits drp_di[15:0] or drp_do[15:0]
PCIE_CAP_RSVD_15_14[1:0]	0x033	[2:1]
PCIE_CAP_SLOT_IMPLEMENTED	0x033	[3]
PCIE_REVISION[3:0]	0x033	[7:4]
PM_BASE_PTR[7:0]	0x033	[15:8]
PM_CAP_AUXCURRENT[2:0]	0x034	[2:0]
PM_CAP_D1SUPPORT	0x034	[3]
PM_CAP_D2SUPPORT	0x034	[4]
PM_CAP_DSI	0x034	[5]
PM_CAP_ID[7:0]	0x034	[13:6]
PM_CAP_NEXTPTR[7:0]	0x035	[7:0]
PM_CAP_ON	0x035	[8]
PM_CAP_PME_CLOCK	0x035	[9]
PM_CAP_PMESUPPORT[4:0]	0x035	[14:10]
PM_CAP_RSVD_04	0x035	[15]
PM_CAP_VERSION[2:0]	0x036	[2:0]
PM_CSR_B2B3	0x036	[3]
PM_CSR_BPCEN	0x036	[4]
PM_CSR_NOSOFTRST	0x036	[5]
PM_DATA_SCALE0[1:0]	0x036	[7:6]
PM_DATA_SCALE1[1:0]	0x036	[9:8]
PM_DATA_SCALE2[1:0]	0x036	[11:10]
PM_DATA_SCALE3[1:0]	0x036	[13:12]
PM_DATA_SCALE4[1:0]	0x036	[15:14]
PM_DATA_SCALE5[1:0]	0x037	[1:0]
PM_DATA_SCALE6[1:0]	0x037	[3:2]
PM_DATA_SCALE7[1:0]	0x037	[5:4]
PM_DATA0[7:0]	0x037	[13:6]
PM_DATA1[7:0]	0x038	[7:0]
PM_DATA2[7:0]	0x038	[15:8]
PM_DATA3[7:0]	0x039	[7:0]
PM_DATA4[7:0]	0x039	[15:8]
PM_DATA5[7:0]	0x03a	[7:0]
PM_DATA6[7:0]	0x03a	[15:8]

Table 3-48: DRP Address Map for PCIE_2_1 Library Element Attributes (Cont'd)

Attribute Name	Address drp_daddr[8:0]	Data Bits drp_di[15:0] or drp_do[15:0]
PM_DATA7[7:0]	0x03b	[7:0]
RBAR_BASE_PTR[11:0]	0x03c	[11:0]
RBAR_CAP_NEXTPTR[11:0]	0x03d	[11:0]
RBAR_CAP_ON	0x03d	[12]
RBAR_CAP_ID[15:0]	0x03e	[15:0]
RBAR_CAP_VERSION[3:0]	0x03f	[3:0]
RBAR_NUM[2:0]	0x03f	[6:4]
RBAR_CAP_SUP0[15:0]	0x040	[15:0]
RBAR_CAP_SUP0[31:16]	0x041	[15:0]
RBAR_CAP_SUP1[15:0]	0x042	[15:0]
RBAR_CAP_SUP1[31:16]	0x043	[15:0]
RBAR_CAP_SUP2[15:0]	0x044	[15:0]
RBAR_CAP_SUP2[31:16]	0x045	[15:0]
RBAR_CAP_SUP3[15:0]	0x046	[15:0]
RBAR_CAP_SUP3[31:16]	0x047	[15:0]
RBAR_CAP_SUP4[15:0]	0x048	[15:0]
RBAR_CAP_SUP4[31:16]	0x049	[15:0]
RBAR_CAP_SUP5[15:0]	0x04a	[15:0]
RBAR_CAP_SUP5[31:16]	0x04b	[15:0]
RBAR_CAP_INDEX0[2:0]	0x04c	[2:0]
RBAR_CAP_INDEX1[2:0]	0x04c	[5:3]
RBAR_CAP_INDEX2[2:0]	0x04c	[8:6]
RBAR_CAP_INDEX3[2:0]	0x04c	[11:9]
RBAR_CAP_INDEX4[2:0]	0x04c	[14:12]
RBAR_CAP_INDEX5[2:0]	0x04d	[2:0]
RBAR_CAP_CONTROL_ENCODEDBAR0[4:0]	0x04d	[7:3]
RBAR_CAP_CONTROL_ENCODEDBAR1[4:0]	0x04d	[12:8]
RBAR_CAP_CONTROL_ENCODEDBAR2[4:0]	0x04e	[4:0]
RBAR_CAP_CONTROL_ENCODEDBAR3[4:0]	0x04e	[9:5]
RBAR_CAP_CONTROL_ENCODEDBAR4[4:0]	0x04e	[14:10]
RBAR_CAP_CONTROL_ENCODEDBAR5[4:0]	0x04f	[4:0]
ROOT_CAP_CRS_SW_VISIBILITY	0x04f	[5]
SELECT_DLL_IF	0x04f	[6]

Table 3-48: DRP Address Map for PCIE_2_1 Library Element Attributes (Cont'd)

Attribute Name	Address drp_daddr[8:0]	Data Bits drp_di[15:0] or drp_do[15:0]
SLOT_CAP_ATT_BUTTON_PRESENT	0x04f	[7]
SLOT_CAP_ATT_INDICATOR_PRESENT	0x04f	[8]
SLOT_CAP_ELEC_INTERLOCK_PRESENT	0x04f	[9]
SLOT_CAP_HOTPLUG_CAPABLE	0x04f	[10]
SLOT_CAP_HOTPLUG_SURPRISE	0x04f	[11]
SLOT_CAP_MRL_SENSOR_PRESENT	0x04f	[12]
SLOT_CAP_NO_CMD_COMPLETED_SUPPORT	0x04f	[13]
SLOT_CAP_PHYSICAL_SLOT_NUM[12:0]	0x050	[12:0]
SLOT_CAP_POWER_CONTROLLER_PRESENT	0x050	[13]
SLOT_CAP_POWER_INDICATOR_PRESENT	0x050	[14]
SLOT_CAP_SLOT_POWER_LIMIT_SCALE[1:0]	0x051	[1:0]
SLOT_CAP_SLOT_POWER_LIMIT_VALUE[7:0]	0x051	[9:2]
SSL_MESSAGE_AUTO	0x051	[10]
VC_BASE_PTR[11:0]	0x052	[11:0]
VC_CAP_NEXTPTR[11:0]	0x053	[11:0]
VC_CAP_ON	0x053	[12]
VC_CAP_ID[15:0]	0x054	[15:0]
VC_CAP_REJECT_SNOOP_TRANSACTIONS	0x055	[0]
VSEC_BASE_PTR[11:0]	0x055	[12:1]
VSEC_CAP_HDR_ID[15:0]	0x056	[15:0]
VSEC_CAP_HDR_LENGTH[11:0]	0x057	[11:0]
VSEC_CAP_HDR_REVISION[3:0]	0x057	[15:12]
VSEC_CAP_ID[15:0]	0x058	[15:0]
VSEC_CAP_IS_LINK_VISIBLE	0x059	[0]
VSEC_CAP_NEXTPTR[11:0]	0x059	[12:1]
VSEC_CAP_ON	0x059	[13]
VSEC_CAP_VERSION[3:0]	0x05a	[3:0]
USER_CLK_FREQ[2:0]	0x05a	[6:4]
CRM_MODULE_RSTS[6:0]	0x05a	[13:7]
LL_ACK_TIMEOUT[14:0]	0x05b	[14:0]
LL_ACK_TIMEOUT_EN	0x05b	[15]
LL_ACK_TIMEOUT_FUNC[1:0]	0x05c	[1:0]
LL_REPLAY_TIMEOUT[14:0]	0x05d	[14:0]

Table 3-48: DRP Address Map for PCIE_2_1 Library Element Attributes (Cont'd)

Attribute Name	Address drp_daddr[8:0]	Data Bits drp_di[15:0] or drp_do[15:0]
LL_REPLAY_TIMEOUT_EN	0x05d	[15]
LL_REPLAY_TIMEOUT_FUNC[1:0]	0x05e	[1:0]
PM_ASPML0S_TIMEOUT[14:0]	0x05f	[14:0]
PM_ASPML0S_TIMEOUT_EN	0x05f	[15]
PM_ASPML0S_TIMEOUT_FUNC[1:0]	0x060	[1:0]
PM_ASPM_FASTEXIT	0x060	[2]
DISABLE_LANE_REVERSAL	0x060	[3]
DISABLE_SCRAMBLING	0x060	[4]
ENTER_RVRY_EI_L0	0x060	[5]
INFER_EI[4:0]	0x060	[10:6]
LINK_CAP_MAX_LINK_WIDTH[5:0]	0x061	[5:0]
LTSSM_MAX_LINK_WIDTH[5:0]	0x061	[11:6]
N_FTS_COMCLK_GEN1[7:0]	0x062	[7:0]
N_FTS_COMCLK_GEN2[7:0]	0x062	[15:8]
N_FTS_GEN1[7:0]	0x063	[7:0]
N_FTS_GEN2[7:0]	0x063	[15:8]
ALLOW_X8_GEN2	0x064	[0]
PL_AUTO_CONFIG[2:0]	0x064	[3:1]
PL_FAST_TRAIN	0x064	[4]
UPCONFIG_CAPABLE	0x064	[5]
UPSTREAM_FACING	0x064	[6]
EXIT_LOOPBACK_ON_EI	0x064	[7]
DNSTREAM_LINK_NUM[7:0]	0x064	[15:8]
DISABLE_ASPM_L1_TIMER	0x065	[0]
DISABLE_BAR_FILTERING	0x065	[1]
DISABLE_ID_CHECK	0x065	[2]
DISABLE_RX_TC_FILTER	0x065	[3]
DISABLE_RX_POISONED_RESP	0x065	[4]
ENABLE_MSG_ROUTE[10:0]	0x065	[15:5]
ENABLE_RX_TD_ECRC_TRIM	0x066	[0]
TL_RX_RAM_RADDR_LATENCY	0x066	[1]
TL_RX_RAM_RDATA_LATENCY[1:0]	0x066	[3:2]
TL_RX_RAM_WRITE_LATENCY	0x066	[4]

Table 3-48: DRP Address Map for PCIE_2_1 Library Element Attributes (Cont'd)

Attribute Name	Address drp_daddr[8:0]	Data Bits drp_di[15:0] or drp_do[15:0]
TL_TFC_DISABLE	0x066	[5]
TL_TX_CHECKS_DISABLE	0x066	[6]
TL_RBYPASS	0x066	[7]
DISABLE_PPM_FILTER	0x066	[8]
DISABLE_LOCKED_FILTER	0x066	[9]
USE_RID_PINS	0x066	[10]
DISABLE_ERR_MSG	0x066	[11]
PM_MF	0x066	[12]
TL_TX_RAM_RADDR_LATENCY	0x066	[13]
TL_TX_RAM_RDATA_LATENCY[1:0]	0x066	[15:14]
TL_TX_RAM_WRITE_LATENCY	0x067	[0]
VC_CAP_VERSION[3:0]	0x067	[4:1]
VC0_CPL_INFINITE	0x067	[5]
VC0_RX_RAM_LIMIT[12:0]	0x068	[12:0]
VC0_TOTAL_CREDITS_CD[10:0]	0x069	[10:0]
VC0_TOTAL_CREDITS_CH[6:0]	0x06a	[6:0]
VC0_TOTAL_CREDITS_NPH[6:0]	0x06a	[13:7]
VC0_TOTAL_CREDITS_NPD[10:0]	0x06b	[10:0]
VC0_TOTAL_CREDITS_PD[10:0]	0x06c	[10:0]
VC0_TOTAL_CREDITS_PH[6:0]	0x06d	[6:0]
VC0_TX_LASTPACKET[4:0]	0x06d	[11:7]
RECRD_CHK[1:0]	0x06d	[13:12]
RECRD_CHK_TRIM	0x06d	[14]
TECRD_EP_INV	0x06d	[15]
CFG_ECRC_ERR_CPLSTAT[1:0]	0x06e	[1:0]
UR_INV_REQ	0x06e	[2]
UR_PRS_RESPONSE	0x06e	[3]
UR_ATOMIC	0x06e	[4]
UR_CFG1	0x06e	[5]
TRN_DW	0x06e	[6]
TRN_NP_FC	0x06e	[7]
USER_CLK2_DIV2	0x06e	[8]
RP_AUTO_SPD[1:0]	0x06e	[10:9]

Table 3-48: DRP Address Map for PCIE_2_1 Library Element Attributes (Cont'd)

Attribute Name	Address drp_daddr[8:0]	Data Bits drp_di[15:0] or drp_do[15:0]
RP_AUTO_SPD_LOOPCNT[4:0]	0x06e	[15:11]
TEST_MODE_PIN_CHAR	0x06f	[0]
SPARE_BIT0	0x06f	[1]
SPARE_BIT1	0x06f	[2]
SPARE_BIT2	0x06f	[3]
SPARE_BIT3	0x06f	[4]
SPARE_BIT4	0x06f	[5]
SPARE_BIT5	0x06f	[6]
SPARE_BIT6	0x06f	[7]
SPARE_BIT7	0x06f	[8]
SPARE_BIT8	0x06f	[9]
SPARE_BYTE0[7:0]	0x070	[7:0]
SPARE_BYTE1[7:0]	0x070	[15:8]
SPARE_BYTE2[7:0]	0x071	[7:0]
SPARE_BYTE3[7:0]	0x071	[15:8]
SPARE_WORD0[15:0]	0x072	[15:0]
SPARE_WORD0[31:16]	0x073	[15:0]
SPARE_WORD1[15:0]	0x074	[15:0]
SPARE_WORD1[31:16]	0x075	[15:0]
SPARE_WORD2[15:0]	0x076	[15:0]
SPARE_WORD2[31:16]	0x077	[15:0]
SPARE_WORD3[15:0]	0x078	[15:0]
SPARE_WORD3[31:16]	0x079	[15:0]

Tandem Configuration

The Xilinx 7 Series Integrated Block for PCI Express solution provides two alternative configuration methods to meet the time requirements indicated within the PCI Express Specification. The PCI Express Specification states that PCI Express ports must be ready to link train within 100 ms of the system power supplies being stable. The two alternative methods for configuration are referred to as Tandem PROM and Tandem PCI Express (PCIe).

Both Tandem PROM and Tandem PCI Express implement a two stage configuration methodology. In Tandem PROM and Tandem PCIe, the first stage configuration memory cells that are critical to PCI Express operation are loaded via a local PROM. When these cells have been loaded, an FPGA Startup command is sent at the end of the first stage bitstream to the FPGA configuration controller. The partially configured FPGA then becomes active with the first-stage bitstream contents. The first stage containing a fully functional PCI Express port responds to traffic received during PCI Express enumeration while the second stage is loaded into the FPGA. The second stage consists of the user specific application and the mechanism for loading the second stage bitstream differs between Tandem PROM and Tandem PCIe.

This section covers:

- [Tandem PROM](#)
- [Tandem PCI Express \(PCIe\)](#)
- [Calculating Bitstream Load Time for Tandem PROM and Tandem PCIe](#)

Tandem PROM

The Tandem PROM solution splits a bitstream into two parts and both of those parts are loaded from an on-board local configuration memory (typically, any PROM or Flash device). The first part of the bitstream configures the PCI Express portion of the design and the second part configures the rest of the FPGA. Although the design is viewed to have two unique stages, the resulting bit file is monolithic and contains both the first and second stages.

Vivado Tool Flow

The Xilinx 7 Series Integrated Block for PCI Express and Vivado tool flow support implementations targeting Xilinx reference boards. Additional support for generic part/package selections is planned for a future release.

Tandem PROM is supported in the configurations found in [Table 3-49](#).

Table 3-49: Tandem PROM Supported Configurations

HDL	Verilog Only
PCIe Configuration	All configurations (max: X8Gen2)
Xilinx Reference Board Support	KC705 Evaluation Board for Kintex-7 FPGA
Device Support	Future support planned for implementations not targeting Xilinx Reference Boards

Generating the Core

When creating a new Vivado project, the correct Part/Package must be selected to enable reference board selection within the PCIe customization GUI. The part/package combinations in [Table 3-50](#) activates the board pull-down within the PCIe customization GUI.

Table 3-50: Supported Part/Package Combinations

Xilinx Reference Board	Part/Package
KC705 (Rev C or later)	XC7K325-2FFG900

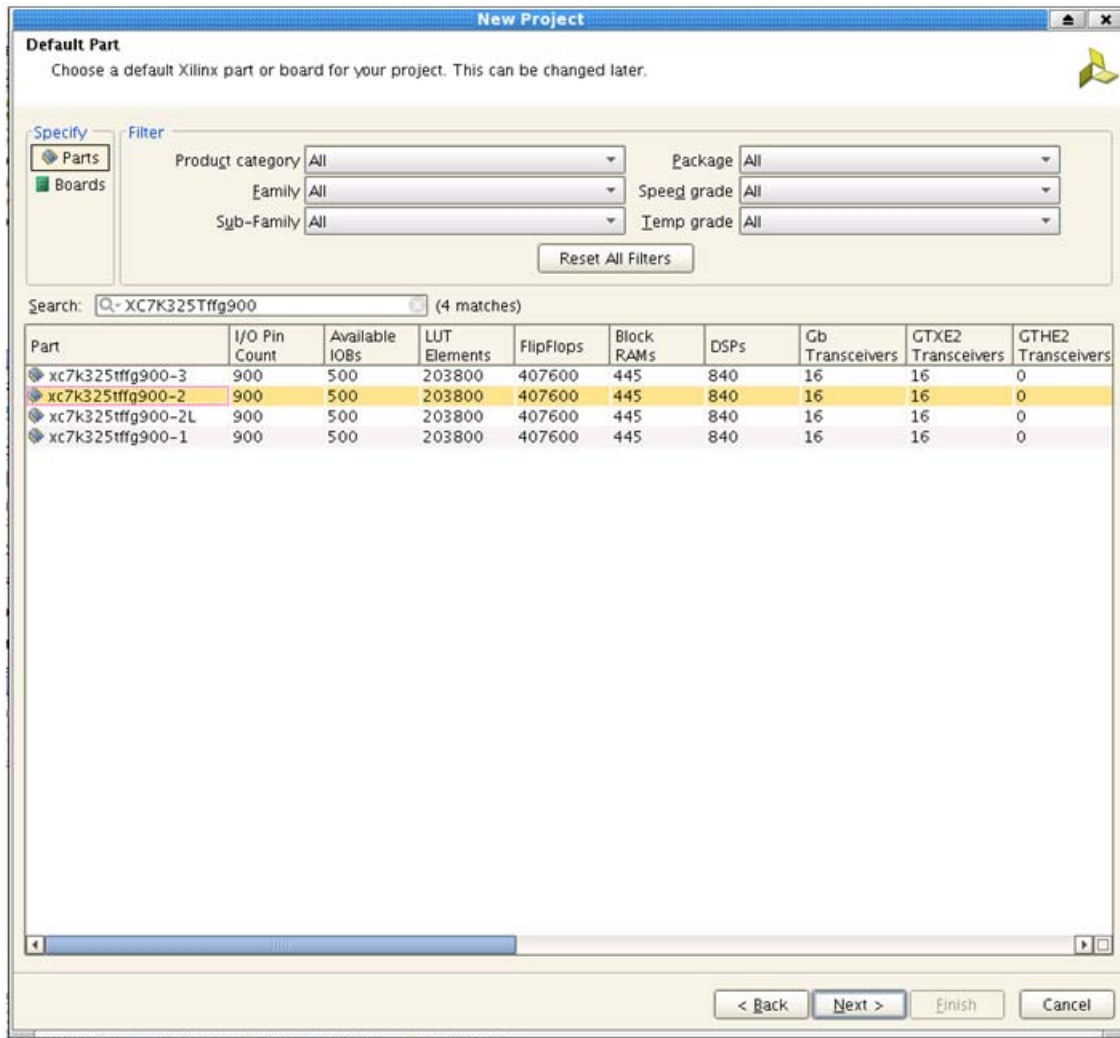


Figure 3-72: Device Selection for Tandem PROM/PCIe Operation on the KC705

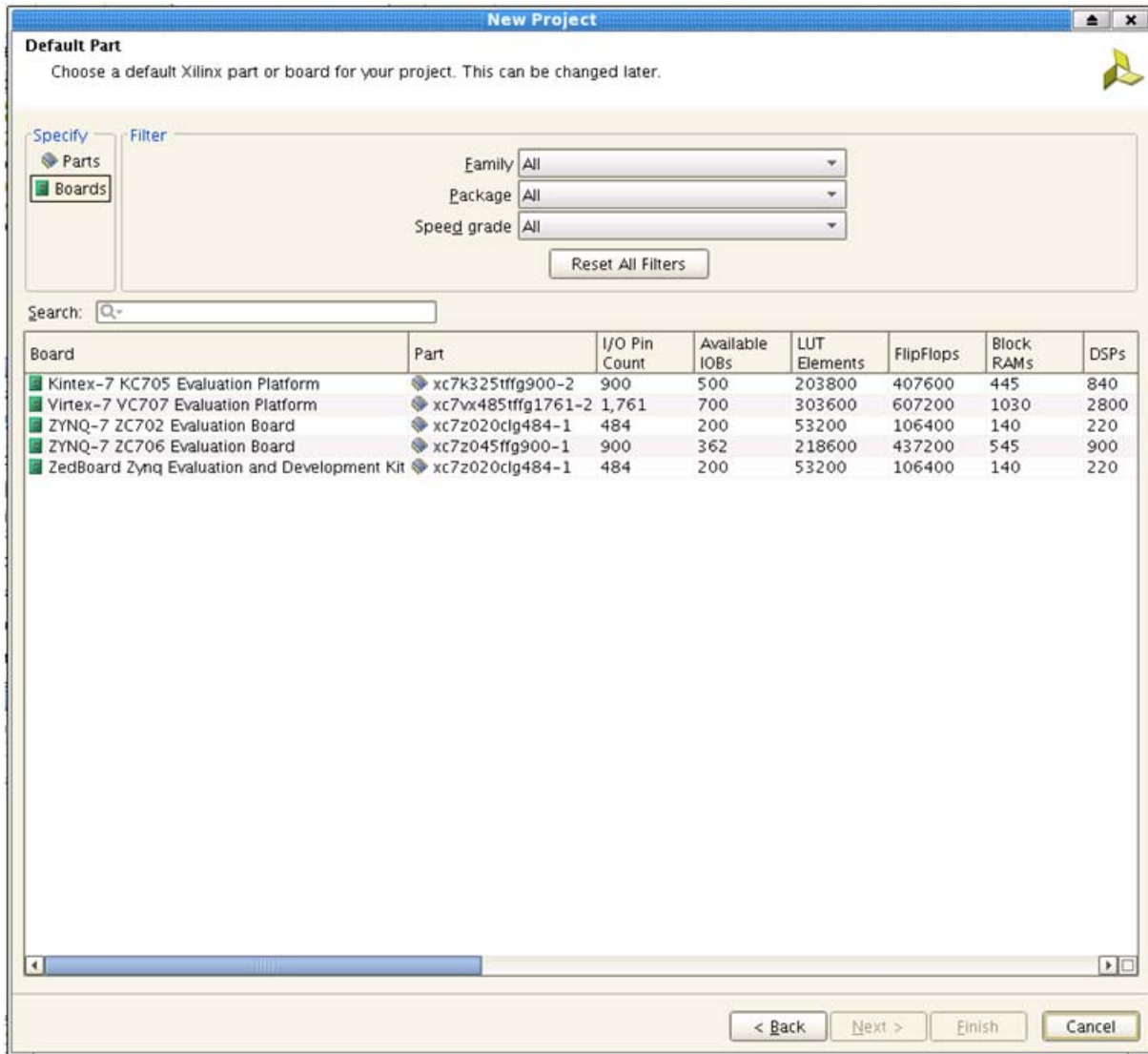


Figure 3-73: Board Selection for Tandem PROM/PCIe Operation on the KC705

Figure 3-73 shows the new Vivado project part selection. The Vivado tool also supports selection by development board, shown in Figure 3-74.

In the Basic tab of the Customize IP dialog box (Figure 3-74):

1. Select a development board to target. Ensure the target board is one of the supported boards.

Tandem PROM is only supported on General Engineering Sample or Production silicon. Ensure that **General ES** is selected in the Silicon Revision pull-down.

2. Select **Tandem PROM** in the Tandem Configuration section.

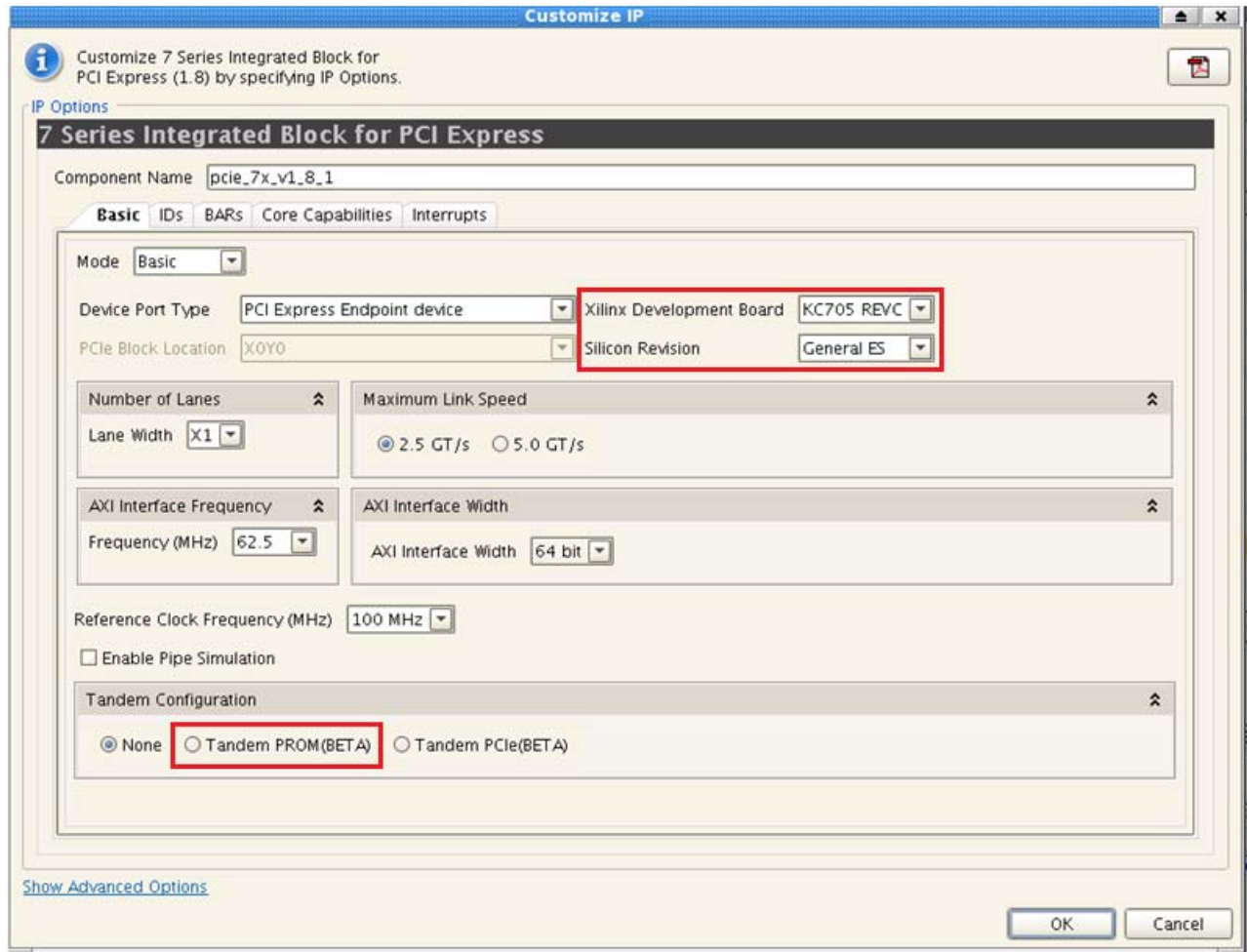


Figure 3-74: Selecting the Reference Board and Silicon Revision

XDC Modifications

The generated Xilinx design constraints (XDC) file contains the appropriate constraints to enable the Tandem PROM solution.

The generated XDC for the Tandem PROM solution contains extra *Physical Constraints*. These constraints inform the implementation tools about which configuration frames must be loaded during the first stage. The Tandem XDC file is provided during core generation and does not require modification.



IMPORTANT: Do not make any changes to the physical constraints defined in the XDC as the constraints are device dependent.

Constraints can be copied and pasted into existing designs targeting the same part and package. The instance names (INST) might change due to hierarchy differences when

copying and pasting into existing designs. The following is a snippet of the Tandem PROM-specific constraints provided in the XDC file.

```
create_pblock fast_boot_region
add_cells_to_pblock [get_pblocks fast_boot_region] [get_cells -quiet [list
pcie_7x_v1_8_0_i]]
resize_pblock [get_pblocks fast_boot_region] -add {SLICE_X136Y150:SLICE_X145Y249
SLICE_X118Y150:SLICE_X135Y199}
resize_pblock [get_pblocks fast_boot_region] -add {DSP48_X5Y60:DSP48_X5Y79}
resize_pblock [get_pblocks fast_boot_region] -add {RAMB18_X4Y60:RAMB18_X5Y79}
resize_pblock [get_pblocks fast_boot_region] -add {RAMB36_X4Y30:RAMB36_X5Y39}
resize_pblock [get_pblocks fast_boot_region] -add
{GTXE2_CHANNEL_X0Y0:GTXE2_CHANNEL_X0Y7}
resize_pblock [get_pblocks fast_boot_region] -add
{GTXE2_COMMON_X0Y0:GTXE2_COMMON_X0Y1}
resize_pblock [get_pblocks fast_boot_region] -add {PCIE_X0Y0:PCIE_X0Y0}
set_property CONTAIN_ROUTING 1 [get_pblocks fast_boot_region]
set_property EXCLUDE_PLACEMENT 1 [get_pblocks fast_boot_region]
set_property BOOT_BLOCK 1 [get_pblocks fast_boot_region]
```

In general, to achieve the best (smallest) first-stage bitstream size, you should consider the location for any I/Os that are intended to be configured in the first stage. I/Os that are physically placed a long distance from the Integrated Block for PCI Express cause extra configuration frames to be included in the first stage. This is due to extra routing resources that are required to include these I/Os in the first stage.

Synthesis and Implementation

Prior to running synthesis and implementation, a Tcl script provided with the IP must be sourced within the Vivado Tcl Console. The Tcl script file (`convert_to_fastboot.tcl`) allocates additional FPGA resources and pulls design elements critical to PCI Express functionality into the first stage bitstream. The script only needs to be executed one time after the project is opened and it sets up the project to execute an additional Tcl script prior to opt design. The Tcl script file is located within the source directory, as shown in [Figure 3-75](#).



Figure 3-75: Tcl Script File Location

The script also sets up the necessary BitGen settings to generate a Tandem PROM bit file. See [Configuration Persist, page 173](#) for more details on the bitstream generation settings.

After the bit file is generated, a PROM file can be created. See [PROM Selection, page 193](#) to ensure the target PROM and configuration methodology meet the 100 ms Power On Reset requirement, as dictated by the PCI Express specification.

The promgen example below demonstrates how to create a PROM file for the KC705 reference board. This might change depending on the chosen configuration methodology.

```
promgen -w -p mcs -spi -u 0x0 <yourbitfile>.bit
```

ISE Tool Flow

The Xilinx 7 Series Integrated Block for PCI Express and ISE tool flow support implementations targeting Xilinx reference boards only. The reference board support is listed [Table 3-52](#). Tandem PROM is supported in the following configurations ([Table 3-51](#)).

Table 3-51: Tandem PROM Supported Configurations

HDL	Verilog Only
PCIe Configuration	All configurations (max: X8G2)
Xilinx Reference Board Support	KC705 Evaluation Board for Kintex-7 FPGA
Device Support	The ISE flow only supports Xilinx reference boards.



RECOMMENDED: Customers starting a new Tandem design should use the Vivado tool flow.

Generating the Core

When opening a new CORE Generator™ tool project, you must select the correct Part/Package to enable the KC705 board and Tandem PROM selection. The following part/package combinations must be selected to activate the board pull-down within the customization GUI.

Table 3-52: Supported Part/Package Combinations

Xilinx reference Board	Part/Package
KC705 (Rev B/C)	XC7K325-2FFG900

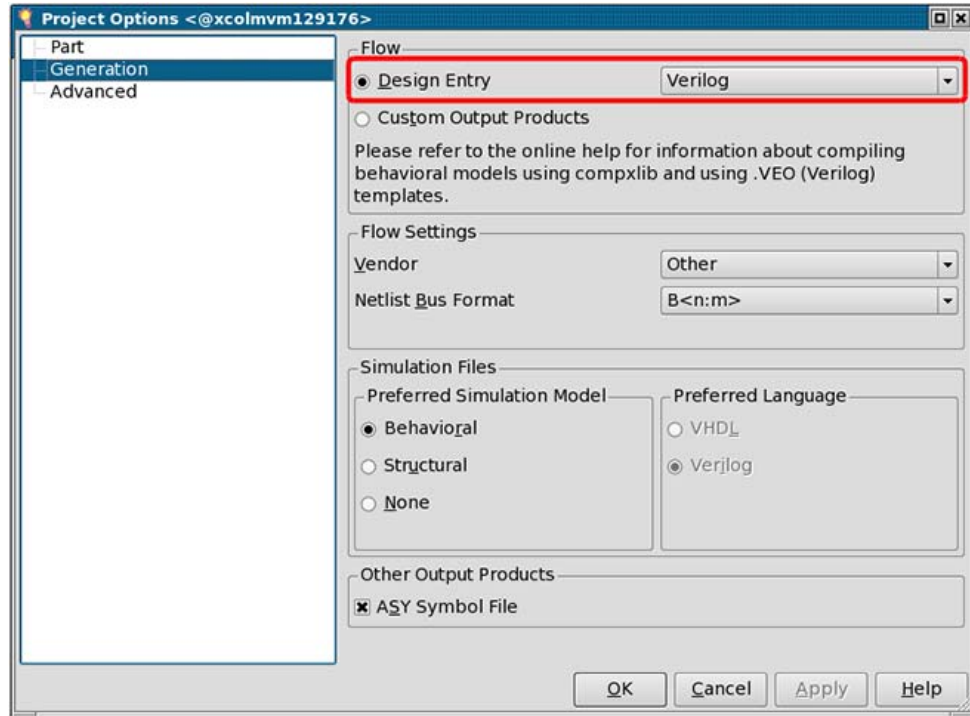


Figure 3-76: Choosing Verilog as the Design Entry

The Tandem PROM flow is only supported by the Verilog HDL wrapper for PCI Express. Figure 3-76 shows the Generation tab selected with **Verilog** selected for the Design Entry type.

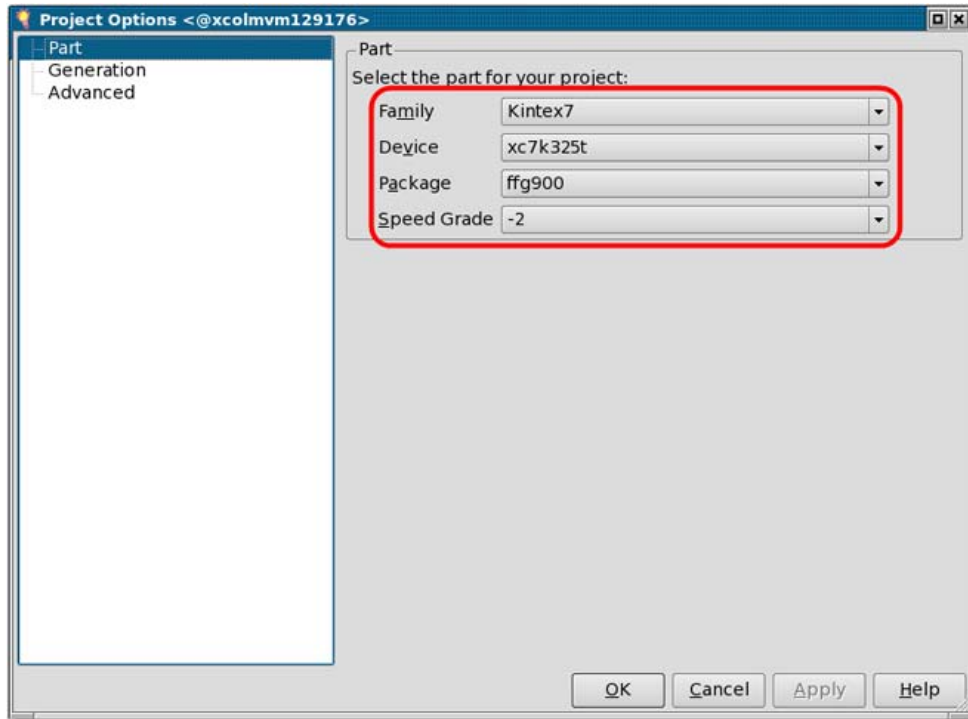


Figure 3-77: Device Selection for Tandem PROM Operation on the KC705

On page 10 of the customization GUI, select a development board to target. Ensure that the KC705 (Revision B or Revision C) board is selected as shown in [Figure 3-78](#).

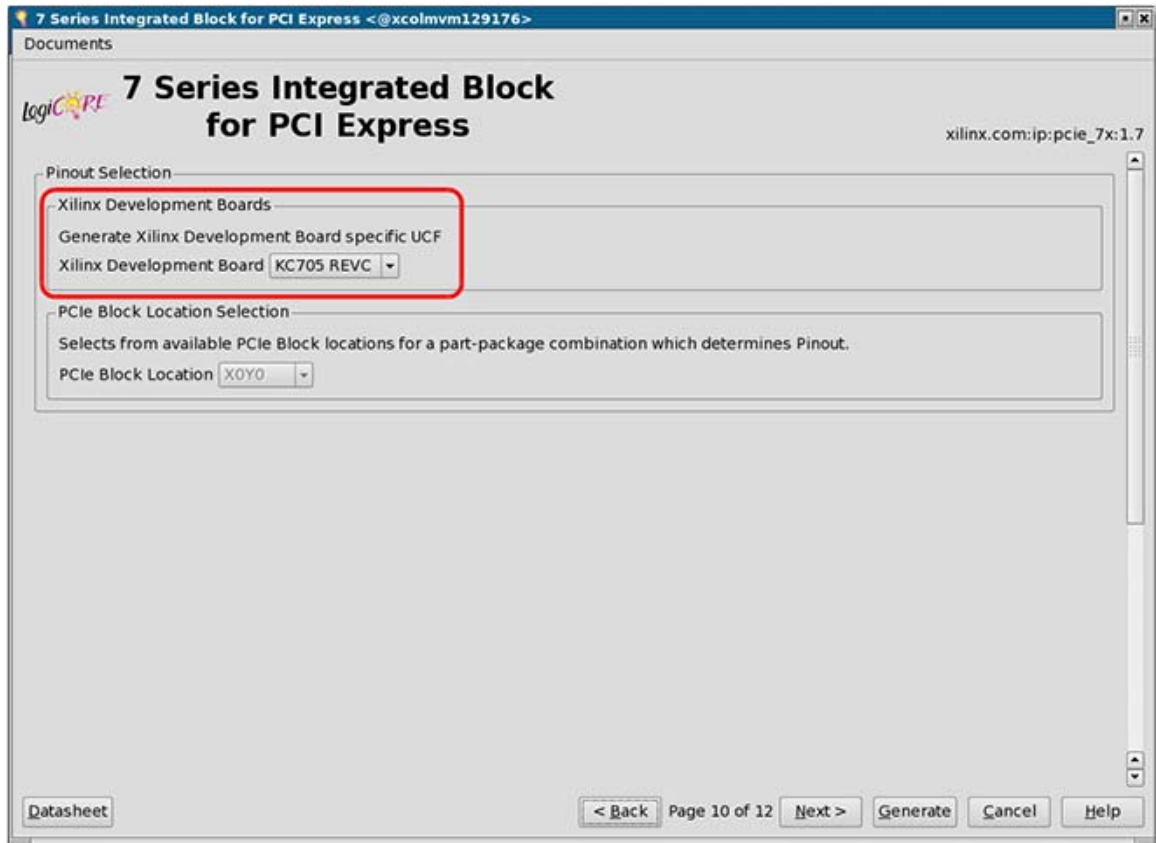


Figure 3-78: Selecting the KC705 Board as the Design Target

On page 12 of the GUI (see [Figure 3-79](#)), select **General ES** silicon and click the **Tandem PROM** radio button to enable the Tandem PROM.

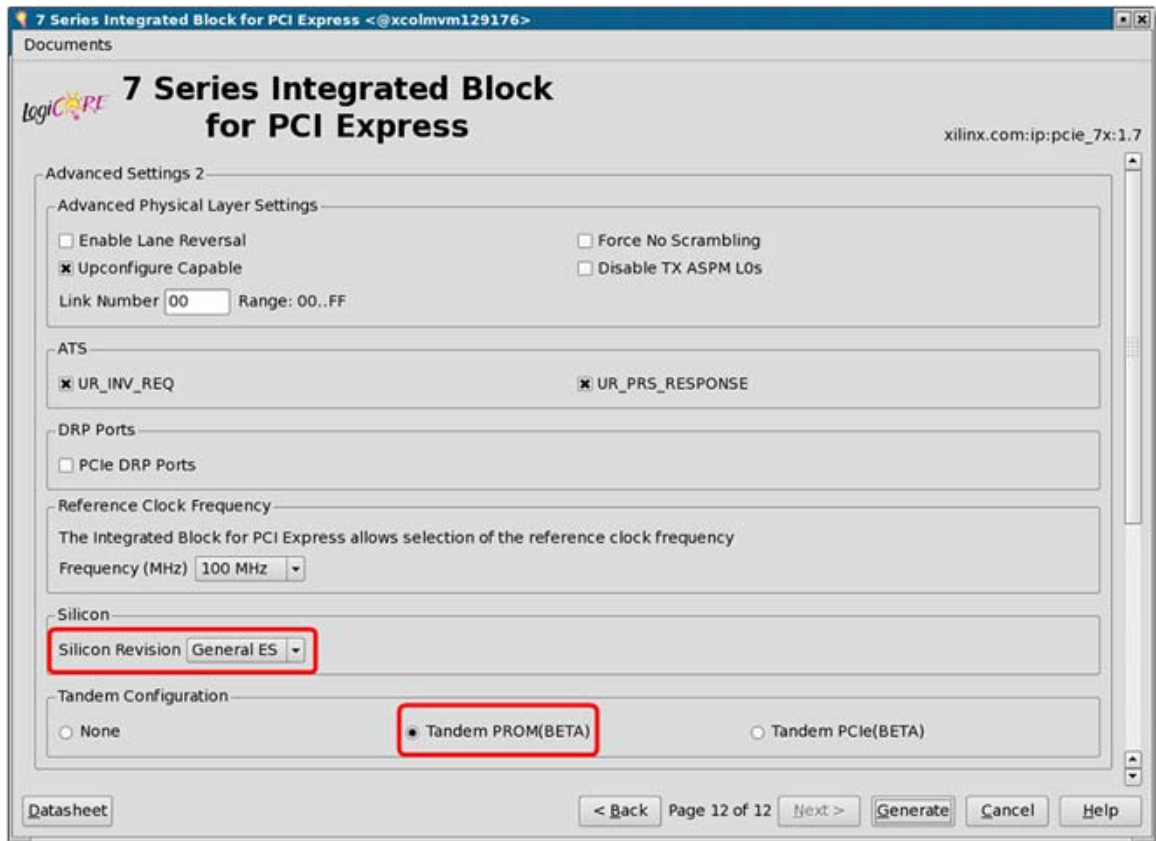


Figure 3-79: Enabling the Tandem PROM Feature

When selecting the Tandem PROM option, the CORE Generator tool inserts additional components into the IP wrapper. The additional components are transparent to the user flow, except the look-up table (LUT) and area usage, which are slightly higher when using the Tandem PROM solution.

When the core is generated and integrated into your design, you can run simulation, synthesis, and implementation.

UCF Modifications

The generated user constraints file (UCF) contains the appropriate constraints to enable the Tandem PROM solution. However, you must edit the UCF and specify the configuration method to use and the I/O voltage present on the configuration bank (Bank 0). This enables the proper design rule checks (DRCs), and informs BitGen about which I/Os need to be persisted. For example, to create a PROM file for a 2.5 V, 16-bit BPI Flash, you must place these two lines in your UCF:

```
CONFIG CONFIG_MODE = BPI16;
CONFIG CONFIG_VOLTAGE = 2.5;
```

Note: See the KC705 board user guide for possible configuration modes and voltages. As of this printing, only the BPI16 mode has been verified.

```
KC705:  
CONFIG CONFIG_MODE = BPI16;  
CONFIG CONFIG_VOLTAGE = 2.5;
```

For more information on these UCF constraints, see the *Xilinx Constraints Guide* [Ref 12].

The generated UCF for the Tandem PROM solution contains extra *Physical Constraints*. These constraints tells the implementation tools which configuration frames must be loaded during the first stage. The details of these UCF constraints are only described here.



IMPORTANT: *Do not make any changes to these physical constraints.*

However, they can be copied and pasted into existing designs. The Instance names (INST) can change due to hierarchy differences when copying and pasting into existing designs.

In general, to achieve the best (that is, smallest) first-stage bitstream size, you should consider the location for any I/Os that are intended to be configured in the first stage. I/Os that are physically placed a long distance from the Integrated Block for PCI Express cause extra configuration frames to be included in the first stage. This is due to extra routing resources that are required to include these I/Os in the first stage.

Synthesis and Implementation

The command-line synthesis and implementation script can be run without modification to build the design. The script file is `implement.[bat/sh]` and is found in the `implement` directory.



RECOMMENDED: *Designers who do not use the provided example script must ensure they follow some basic steps to successfully build the design. Specifically, the `keep_hierarchy` option must be set for synthesis, and a partition must be set on the IP core wrapper for PCI Express.*

The method to set the partition depends the design flow. Command-line users must copy and paste the provided `xpartition.pxml` file, found in the `implement` directory, into the directory that the command line is run.

Tandem PROM loads the second stage bitstream from the same PROM. The Tandem bitstream (and corresponding PROM image file) is completely self-contained, and the steps happen automatically with no requirements from the user. [Figure 3-80](#) illustrates the order of the stages and bitstream loading flow.

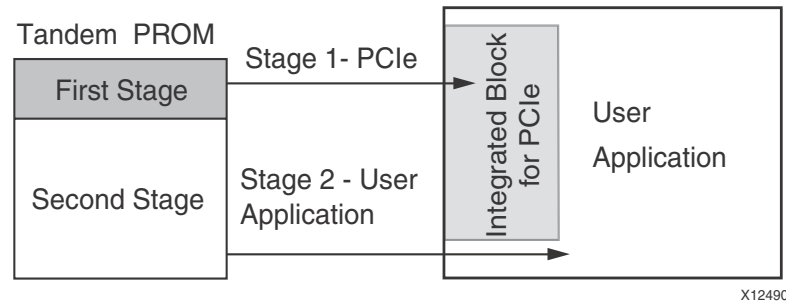


Figure 3-80: Tandem PROM Bitstream Load Steps

Tandem PROM is similar to the standard model used today in terms of tool flow and bitstream. A single bitstream is produced from BitGen, and the bit file is downloaded into the Flash for the system.

Tandem PROM Details

I/O Behavior

For each I/O that is required for the PCI Express IP (other than I/O associated with the GTX/GTH/GTP transceivers), the entire bank in which that I/O resides must be configured in the first bitstream. For PCI Express, the only signal needed in the first stage is the `sys_rst_n` input port. Be aware that any second stage I/O in the same I/O bank as `sys_rst_n` port is also configured with the first stage. Any pins in the same I/O bank as `sys_rst_n` are unconnected internally, so any output pins might show unknown behavior until their internal connections are complete. Also, components requiring initialization for second stage functionality should not be placed in these I/O banks unless these components are reset by the `user_reset_out` signal from PCI Express.

Configuration Pin Behavior

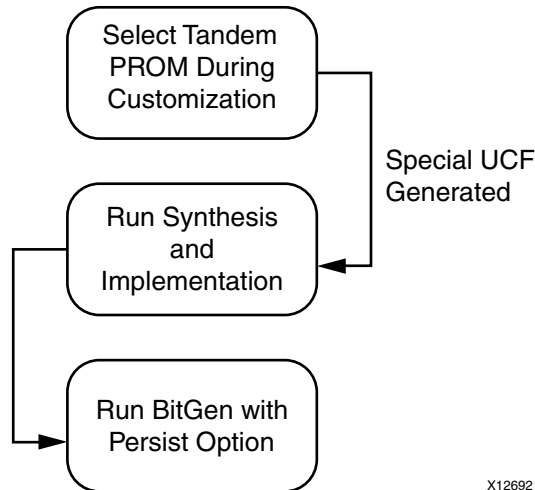
The DONE pin indicates completion of configuration with standard approaches. DONE is also used for Tandem Configuration, but in a slightly different manner. DONE pulses high at the end of the first stage, when the start-up sequences are run; it pulls high and stays high at the end of the second stage of configuration.

Configuration Persist

The Configuration Persist option must be implemented when generating the Tandem PROM bitstream. This ensures that the second stage bitstream loads from the configuration I/O pins after the first stage has loaded and the FPGA Startup command is issued.

ISE Tool Flow

To enable Persist, set the `-g Persist:Yes` switch when running BitGen. Figure 3-81 shows the basic design flow for Tandem PROM.



X12692

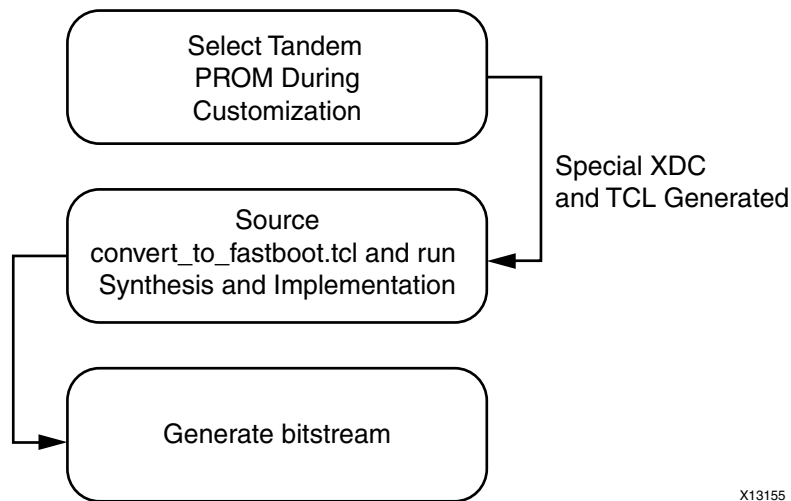
Figure 3-81: Design Flow for Tandem PROM, ISE Tool Flow

Vivado Tool Flow

To enable Persist, run the following Tcl command in the Tcl Console:

```
set_property BITSTREAM.CONFIG.PERSIST yes [current_design]
```

Figure 3-82 shows the basic design flow for Tandem PROM.



X13155

Figure 3-82: Design Flow for Tandem PROM, Vivado Tool Flow

The persist functionality is not released after the second stage bitstream, so these dual-purpose I/Os remain dedicated to configuration. They are not available for general design use with the Tandem PROM flow. One key implication of this requirement is that traditional methods for post-configuration flash updating are not possible.

See the *7 Series FPGAs Configuration User Guide (UG470)* [Ref 7] for more information regarding Persist.

PROM Selection

Configuration PROMs have no specific requirements. However, to meet the 100 ms specification, you must select a PROM that meets the following three criteria:

1. Supported by Xilinx configuration.
2. Sized appropriately for both first and second stages; that is, the PROM must be able to contain the entire bitstream.
3. Meets the configuration time requirement for PCI Express based on the first-stage bitstream size and the calculations for the bitstream loading time. See [Calculating Bitstream Load Time for Tandem PROM and Tandem PCIe](#).

See the *7 Series FPGAs Configuration User Guide (UG470)* [Ref 7] for a list of supported PROMs and device bitstream sizes.

Programming the Device

There are no special considerations for programming Tandem bitstreams versus standard bitstreams into a PROM. You can program a Tandem bitstream using all standard programming methods, such as JTAG, Slave and Master SelectMAP, SPI, and BPI. Regardless of the programming method used, the `DONE` pin is asserted after the first stage is loaded and operation begins.

Both internally generated `CCLK` and externally provided `EMCCLK` are supported for SPI and BPI programming. `EMCCLK` can be used to provide faster configuration rates due to tighter tolerances on the configuration clock. See the *7 Series FPGAs Configuration User Guide (UG470)* [Ref 7] for details on the use of `EMCCLK` with the Design Suite.

Tandem PROM RTL Design

Tandem PROM requires slight modifications from the non-tandem PCI Express product. This section indicates the additional logic embedded within the Integrated Block for PCIe core and the additional responsibilities of the user application to implement a Tandem PROM solution.

Tandem PROM Logic

The Integrated Block for PCIe core and example design contain ports (signals) specific to the Tandem PROM. These signals provide handshaking between the first stage (Integrated Block for PCIe core) and the second stage (user logic). Handshaking is necessary for interaction between the core and the user logic. [Table 3-53](#) defines the handshaking ports on the Integrated Block for PCIe core.

Table 3-53: Tandem PROM Handshaking Ports

Name	Direction	Description
init_pattern_bus[7:0]	Input	This bus informs the Integrated Block for PCIe core that the second stage is loaded and running.

User Application Handshake

Additional logic is implemented within Tandem solutions to perform the hand-off between core control of the PCI Express Block and the user application. [Multiplexing on Critical Inputs](#) explains why this handoff mechanism is required. The user application must provide an alternating 8-bit pattern to the Integrated Block for PCIe core. This pattern is defined as hexadecimal values 0x12 and 0x9A (these values are parameterized), which must alternate on every `user_clk_out` clock cycle. The top-level example design file called `xilinx_pcie_2_1_ep_7x.v` provides an example on how to generate this pattern.



RECOMMENDED: *Cut and paste the example code into your own application to ensure the handshaking process occurs.*

```
// Tandem configuration counter
init_counter #(.PATTERN_WIDTH(INIT_PATTERN_WIDTH), .INIT_PATTERN1(INIT_PATTERN1),
.INIT_PATTERN2(INIT_PATTERN2)) init_counter_i (
    .clk( user_clk ),
    .rst( ~sys_rst_n_c ),
    .pattern_o( init_pattern_bus_pre2 )
);

//This logic is needed for faster clock speeds; it is a pipeline
// stage between the init counter and 1st stage bitstream pattern match logic.
// Since the init counter and fastboot logic are LOC'd to regions on the
// chip, this logic is allowed to float between the two.

always @(posedge user_clk or negedge sys_rst_n_c) begin
    if(!sys_rst_n_c) begin
        init_pattern_bus_pre1 <= #TCQ 'h0;
        init_pattern_bus      <= #TCQ 'h0;
    end else begin
        init_pattern_bus_pre1 <= #TCQ init_pattern_bus_pre2;
        init_pattern_bus      <= #TCQ init_pattern_bus_pre1;
    end
end
end
```

When the second stage finishes configuration and the FPGA Startup command is issued by the configuration controller, the user logic drives the alternating pattern on the `init_pattern_bus` port. When the Integrated Block for PCIe core detects this pattern, it begins a short countdown before asserting `user_app_rdy` to tell the second stage to begin interfacing with the core.

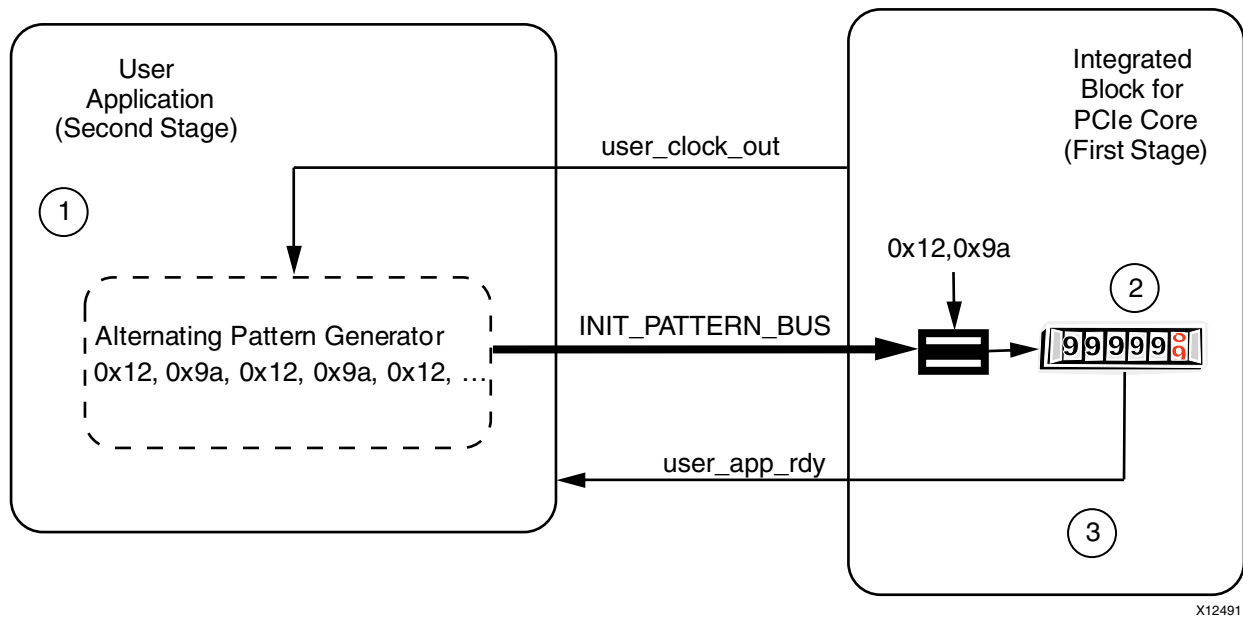


Figure 3-83: Handshaking Details

Notes relevant to [Figure 3-83](#):

1. The second stage is activated after start-up, and logic generates a predetermined alternating pattern.
2. The logic in the first stage looks for this pattern and begins a countdown, when the pattern is detected.

When the counter finishes, the first stage asserts the `user_app_rdy` signal, which can be used to generate the `icap_rdy` signal in the second stage. The `icap_rdy` signal can be considered as a “Done” indicator.

Multiplexing Critical Inputs

Certain input ports to the Integrated Block for PCIe core are multiplexed so that they are disabled during the second stage configuration process. These MUXes are located in the top-level core file and are controlled by the `user_app_rdy` signal.

These inputs are held in a deasserted state while the second stage bitstream is loaded. This masks off any unwanted glitching from the second stage logic and keeps the PCIe core in a valid state. When `user_app_rdy` is asserted, the MUXes are switched, and all signals behave as described in this document.

Tandem Completer

In addition to standard configuration requests, the PCI Express endpoint might receive TLP requests that are not processed within the PCI Express Hardblock. Typical TLP requests received are Vendor Defined Messages and Read Requests. To avoid a lockup scenario

within the PCI Express IP, TLP requests must be drained from the core to allow Configuration requests to be completed successfully.

A tandem completer module is implemented to process these packets. All read requests are expected to be 1DW and a CPLD is returned with a payload of 32'h0. All other requests are purged from the cores receive buffer and no further processing is performed. After the second stage bitstream is loaded and `user_app_rdy` asserted, the tandem completer module becomes inactive.

Tandem PROM KC705 Example Flow

This section demonstrates the Vivado flow from start to finish when targeting the KC705 reference board. Paths and pointers within this flow description assume the default component name "pcie_7x_v1_8_0" is used.

Step 1: Open the Example Design

1. Generate the core as described in [Generating the Core](#), page 162.

After being generated, the core hierarchy is available in the Sources tab in the Vivado Integrated Design Environment.

2. In the Sources tab, right-click the core, and select **Open IP Example Design**.

A new instance of Vivado is created and the example design is automatically loaded into the Vivado Integrated Design Environment.

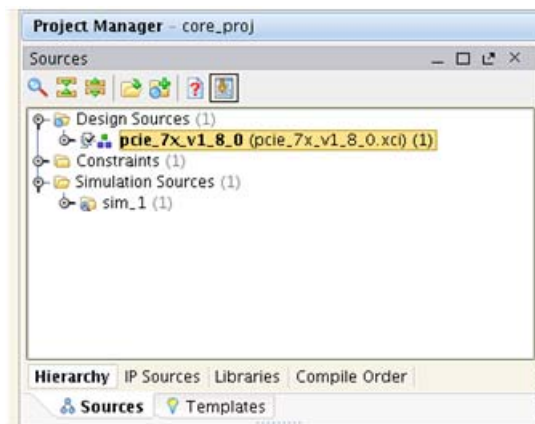


Figure 3-84: PCIe Core in the Source tab

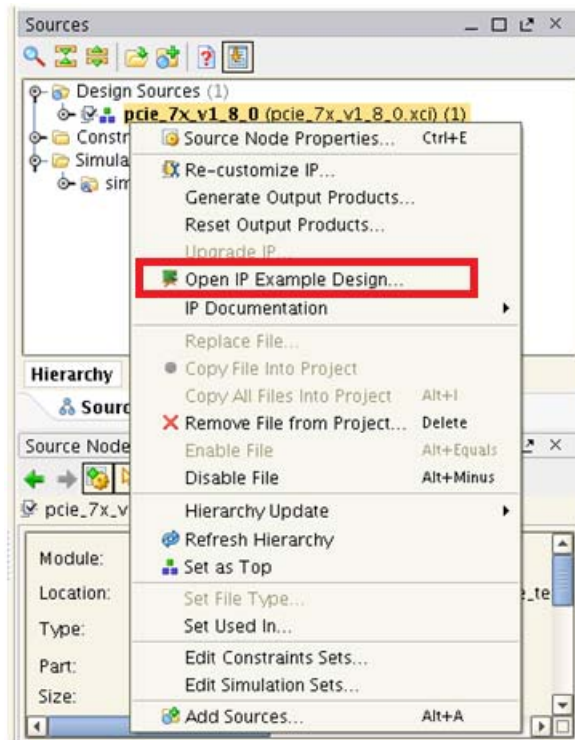


Figure 3-85: Open IP Example Design in Right-Click Menu

Step 2: Enable Tandem Configuration

After the example design is opened, you must source the Tandem specific Tcl file provided during core generation to enable the Tandem flow. In the Tcl Console, run:

```
source ./pcie_7x_v1_8_0_example.srcs/sources_1/ip/pcie_7x_v1_8_0/pcie_7x_v1_8_0/
source/convert_project_to_fastboot.tcl
```

Note: The path to the `convert_project_to_fastboot.tcl` file might be different depending on how the IP was named when generating the IP.

The Tcl Console displays the executed command.

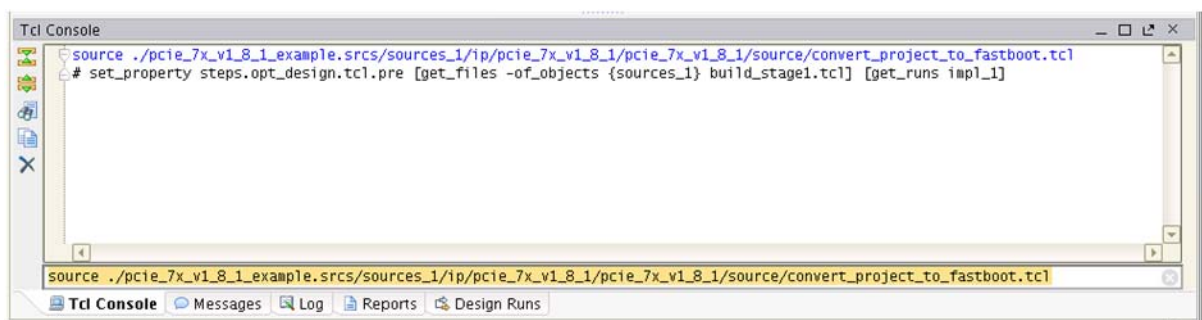


Figure 3-86: Tcl Console

Step 3: Run Synthesis/Implementation

Click **Run Implementation** in the Flow Navigator. Select **OK** to run through synthesis first. The design runs through the complete tool flow and the result is a fully routed design that supports Tandem PROM.

Step 4: Generate the bitstream

After Synthesis and Implementation is complete, click **Generate Bitstream** in the Flow Navigator. A bitstream supporting Tandem configuration is generated in the runs directory.

For example:

```
./pcie_7x_v1_8_0_example.runs/impl/xilinx_pcie_2_1_ep_7x.bit
```

Step 5: Generate the PROM file

Run the following command on the command line to create a PROM file supported on the KC705 development board.

```
promgen -w -p mcs -spi -u 0x0 xilinx_pcie_2_1_ep_7x.bit
```

Tandem PROM Summary

The PCI Express specification requires that the device is available to link train after power is stable. This requirement can be met using the Tandem PROM. While the 7 Series Integrated Block for PCI Express core manages many design details, you must handle these items:

ISE Tool Flow

- Synthesize the design with `keep_hierarchy` applied to the Integrated Block for PCIe core instance.
- Apply a partition to the core and use the `xpartition.pxml` file generated by the CORE Generator tool.
- Specify `CONFIG_MODE` and `CONFIG_VOLTAGE` in the UCF.
- Insert the handshaking HDL code on the user application side of the design.
- Integrate the additional Tandem constraints into the UCF file. Refer to the Tandem constraints provided when generating the core example design.
- Use the BitGen Persist option.

Vivado Tool Flow

- Run the `convert_to_fastboot.tcl` file before running through Synthesis and Implementation. `convert_to_fastboot.tcl` only needs to be executed one time after opening the Vivado project.

- Insert the handshaking HDL code on the user application side of the design. See the provided PIO reference design as an example.
- Integrate the additional Tandem constraints into the XDC file. Refer to the Tandem constraints provided when generating the core example design.
- Set the following properties prior to generating a bitstream:

```
set_property BITSTREAM.CONFIG.FASTBOOT enable [current_design]
set_property BITSTREAM.CONFIG.PERSIST yes [current_design]
```

With these items implemented, the design bitstream is monolithic and split into two sections by the tools. When the first section has been loaded, the PCIe Endpoint is active and ready to communicate with the system. When selecting the Tandem PROM in the customization GUI, the PIO reference design is set up to demonstrate the Tandem PROM use case.

Tandem PCI Express (PCIe)

In the first stage, only the configuration memory cells that are critical to PCI Express operation are loaded from the PROM. After the partial bitstream is loaded the PCI Express port is capable of responding to enumeration traffic. Subsequently, the second stage of the bitstream is transmitted via the PCI Express link. [Figure 3-87](#) illustrates the order of the stages and bitstream loading flow.

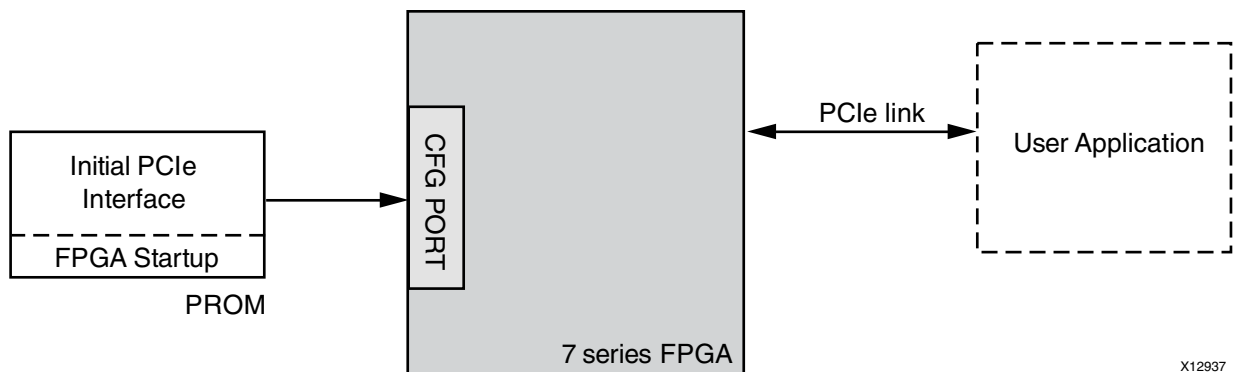


Figure 3-87: Tandem PCIe Bitstream Load Steps

Tandem PCIe is similar to the standard model used today in terms of tool flow and bitstream generation. Two partial bitstreams are produced when running bitstream generation. One bit file representing Stage 1 is downloaded into the PROM while the other bit file representing the user application (Stage 2) configures the remainder of the FPGA using the Internal Access Configuration Port (ICAP).

Vivado Tool Flow

The Xilinx 7 Series Integrated Block for PCI Express and Vivado tool flow support implementations targeting Xilinx reference boards. Additional support for generic part/

package selections is planned for a future release. The current reference board support is listed in [Table 3-55](#).

Tandem PCIe is supported as outlined in [Table 3-54](#).

Table 3-54: Tandem PCIe Supported Options

HDL	Verilog Only
PCIe Configuration	All configurations (max: X8Gen2)
Xilinx Reference Board Support	KC705 Evaluation Board for Kintex-7 FPGA Future support planned for additional Xilinx Reference Boards and implementations not targeting Xilinx Reference Boards
Device Support	Future support planned for implementations not targeting Xilinx reference boards

Generating the Core

When creating a new Vivado project, you must select the correct part/package to enable the target reference board within the GUI. The following part/package combinations must be selected to activate the board pull-down within the customization GUI.

Table 3-55: Supported Part/Package Combination

Xilinx reference Board	Part/Package
KC705 (Rev C or later)	XC7K325T-2FFG900

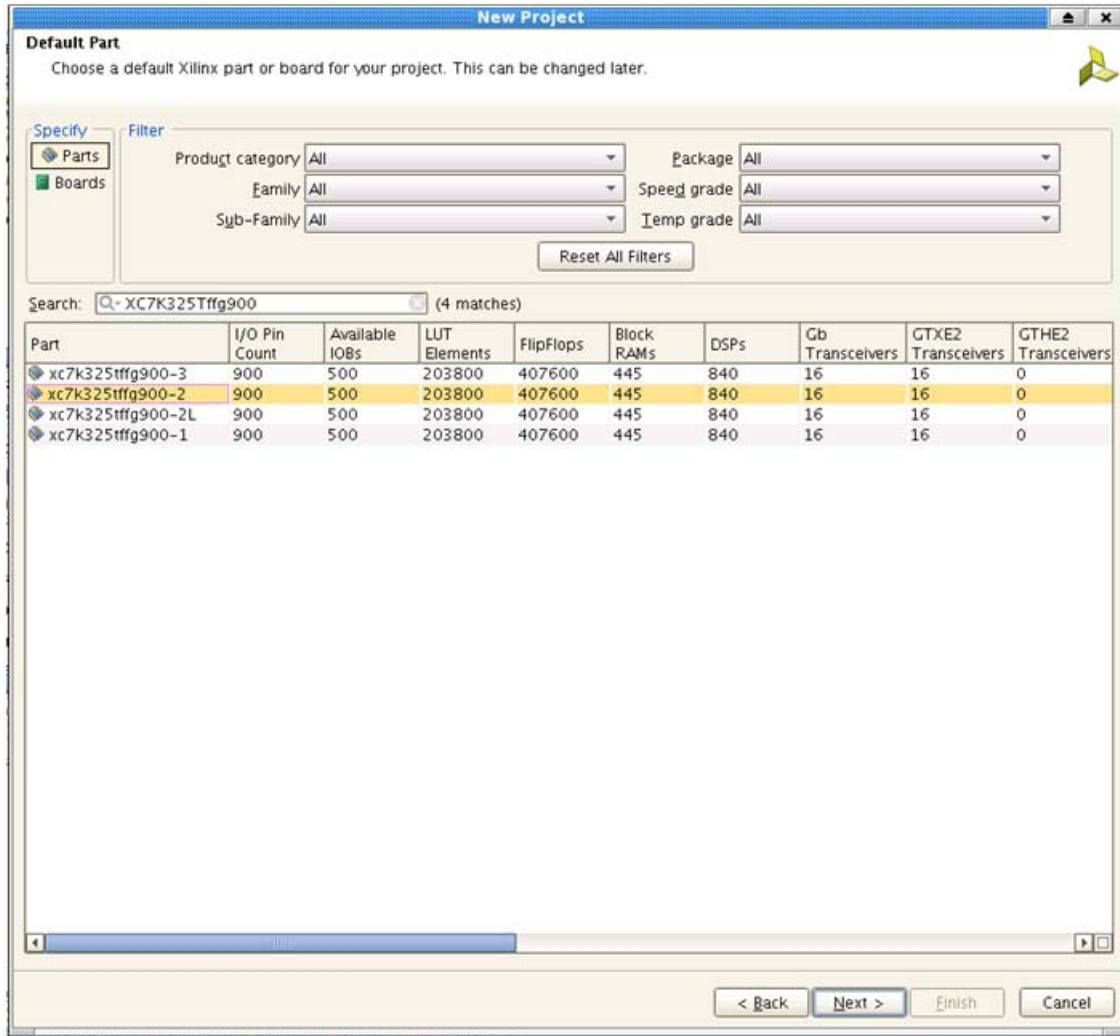


Figure 3-88: Device Selection for Tandem PROM/PCIe Operation on the KC705

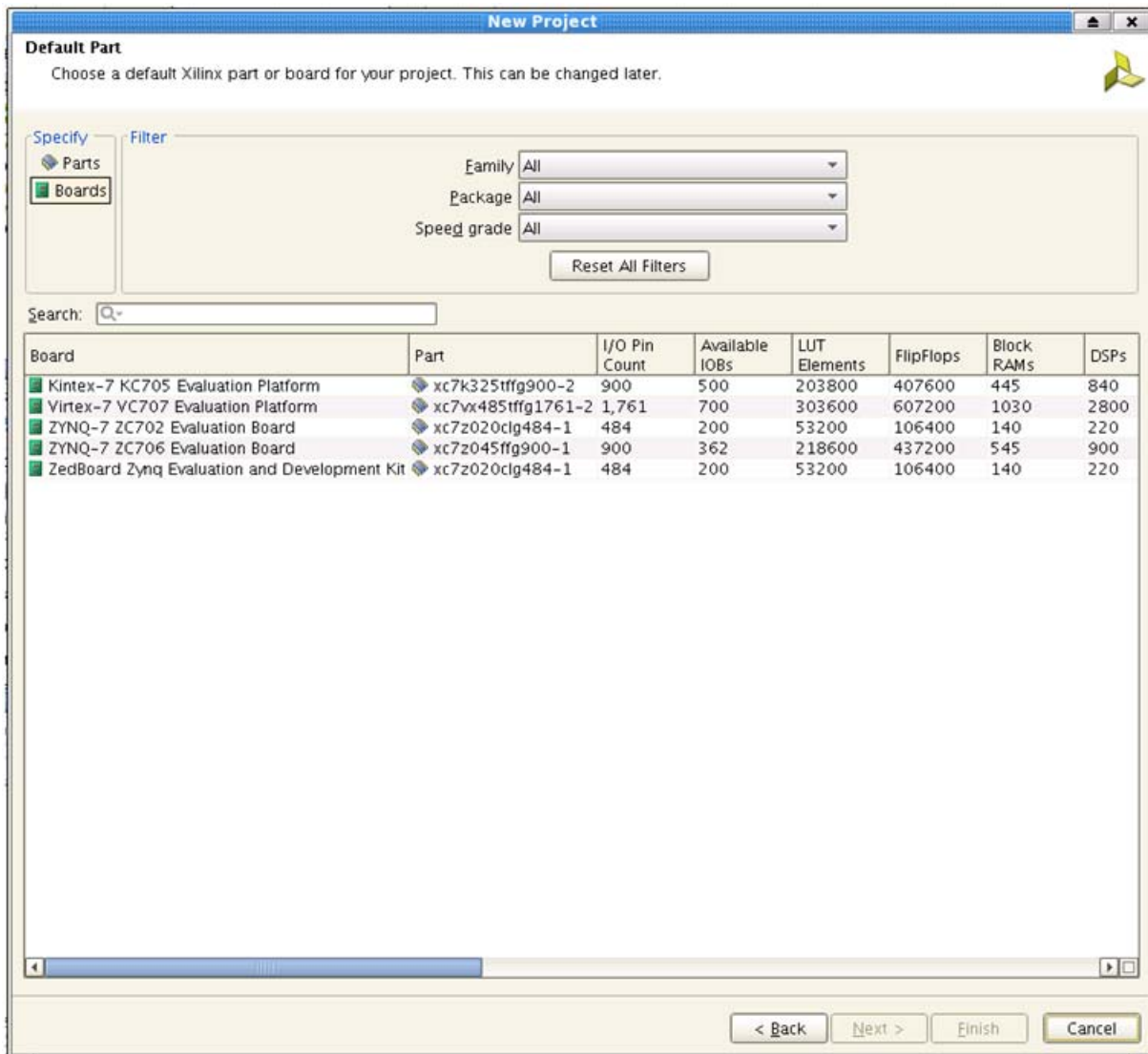


Figure 3-89: Board Selection for Tandem PROM/PCIe Operation on the KC705

Figure 3-89 demonstrates the part selection when creating a new Vivado project. The Vivado tool also supports selection by development board, also shown in Figure 3-89.

On page 1 of the customization GUI:

1. Select a development board to target.

Ensure the target board is one of the supported boards listed above. Tandem Configuration is only supported on General Engineering Sample or Production silicon. Ensure that **General ES** is selected in the Silicon Revision pull-down.

2. Select the **Tandem PCIe Configuration** option.

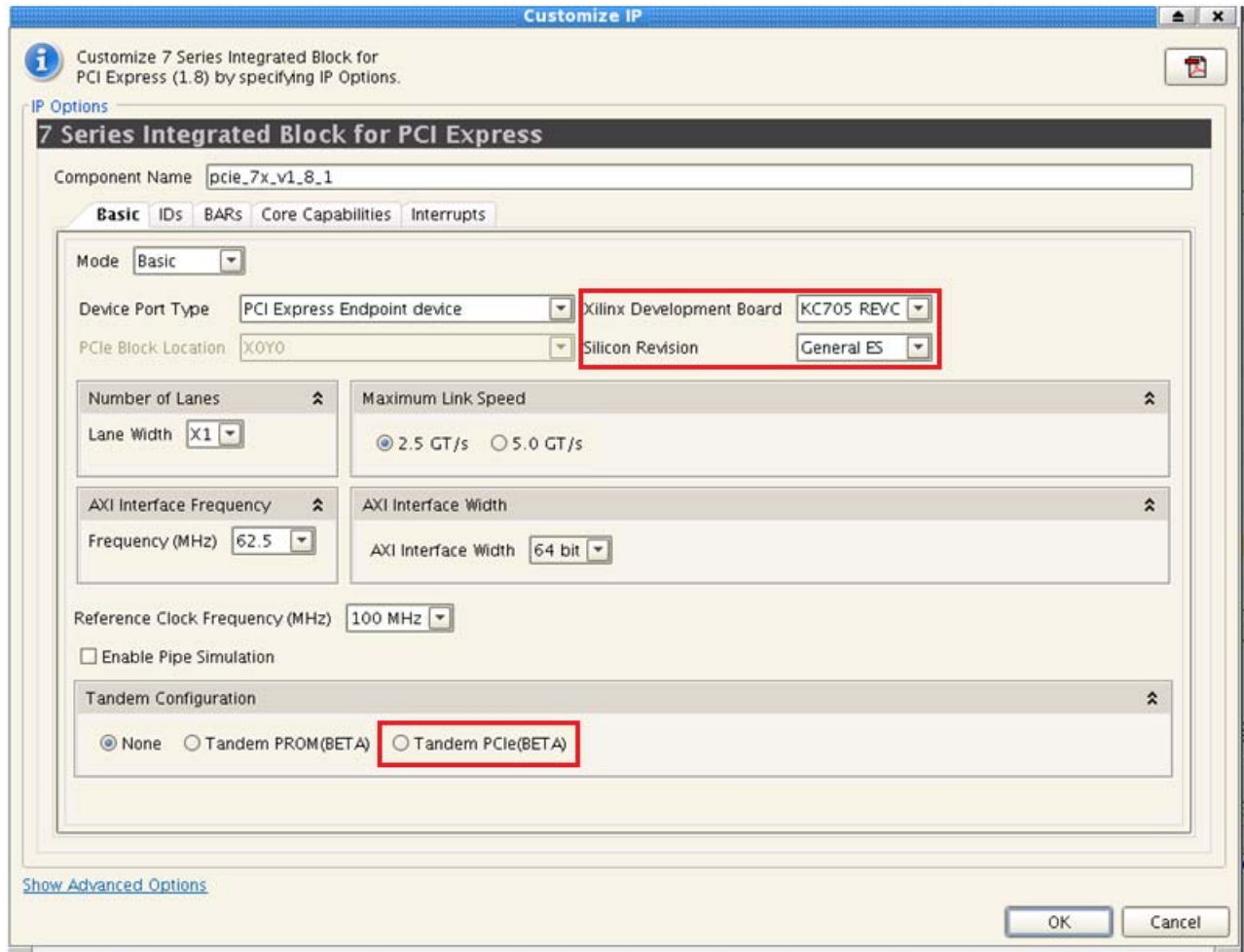


Figure 3-90: Selecting the Reference Board and Silicon Revision

1. Click **OK** to generate the IP.

The FPC module assumes the second stage bitstream is received on BAR0. **BAR0** must be enabled and set as a **128 Bytes Memory BAR**.

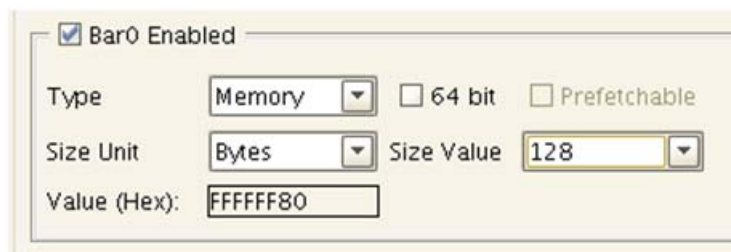


Figure 3-91: Selecting the Tandem BAR

XDC Edits

The generated Xilinx design constraints file (XDC) contains the appropriate constraints to enable the Tandem PCIe solution.

The generated XDC for the Tandem PCIe solution contains extra *Physical Constraints*. These constraints tell the implementation tools which configuration frames must be loaded during the first stage. The Tandem constraints XDC is provided during core generation and does not require modification.



IMPORTANT: *Do not make any changes to the physical constraints defined in the XDC as the constraints are device dependent.*

They can be copied and pasted into existing designs targeting the same part and package. The instance names (INST) might change due to hierarchy differences when copying and pasting into existing designs. The following is a snippet of the Tandem PCIe specific constraints provided in the XDC file.

```
create_pblock fast_boot_region
add_cells_to_pblock [get_pblocks fast_boot_region] [get_cells -quiet [list
pcie_7x_v1_8_0_i]]
resize_pblock [get_pblocks fast_boot_region] -add {SLICE_X136Y150:SLICE_X145Y249
SLICE_X118Y150:SLICE_X135Y199}
resize_pblock [get_pblocks fast_boot_region] -add {DSP48_X5Y60:DSP48_X5Y79}
resize_pblock [get_pblocks fast_boot_region] -add {RAMB18_X4Y60:RAMB18_X5Y79}
resize_pblock [get_pblocks fast_boot_region] -add {RAMB36_X4Y30:RAMB36_X5Y39}
resize_pblock [get_pblocks fast_boot_region] -add
{GTXE2_CHANNEL_X0Y0:GTXE2_CHANNEL_X0Y7}
resize_pblock [get_pblocks fast_boot_region] -add
{GTXE2_COMMON_X0Y0:GTXE2_COMMON_X0Y1}
resize_pblock [get_pblocks fast_boot_region] -add {PCIE_X0Y0:PCIE_X0Y0}
set_property CONTAIN_ROUTING 1 [get_pblocks fast_boot_region]
set_property EXCLUDE_PLACEMENT 1 [get_pblocks fast_boot_region]
set_property BOOT_BLOCK 1 [get_pblocks fast_boot_region]
```

In general, to achieve the best (smallest) first-stage bitstream size, you should consider the location for any I/Os that are intended to be configured in the first stage. I/Os that are physically placed a long distance from the Integrated Block for PCI Express cause extra configuration frames to be included in the first stage. This is due to extra routing resources that are required to include these I/Os in the first stage.

Synthesis and Implementation

Prior to running synthesis and implementation, source the Tcl script that is provided with the IP in the Tcl Console. The Tcl script files (`convert_to_fastboot.tcl`) allocates additional FPGA resources and pulls design elements critical to PCI Express functionality into the first stage bitstream. The script only needs to be executed one time after the project is opened, and it sets up the project to execute an additional Tcl script prior to opt design. The Tcl file is located within the source directory, as shown in [Figure 3-92](#).

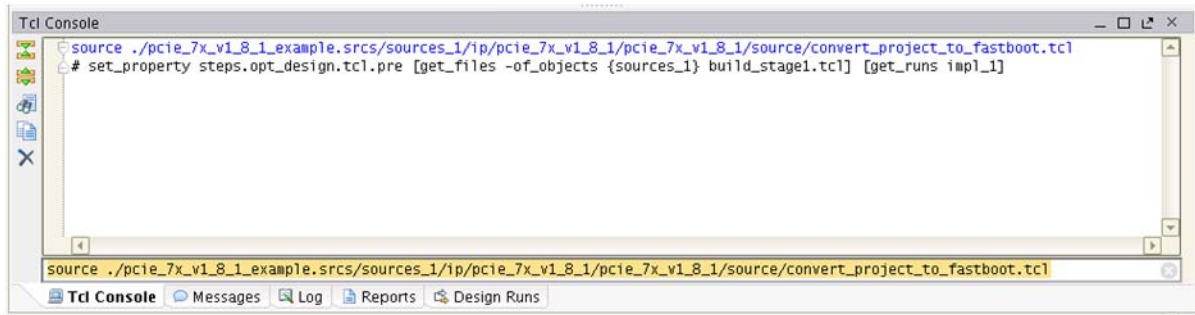


Figure 3-92: Tcl Script File Location

The script also sets up the necessary BitGen settings to generate a Tandem PCIe bit file. See [Configuration Persist, page 173](#) for more details on the BitGen settings.

Two bit files called `tandem_pcie_stage1.bit` and `tandem_pcie_stage2.bit` are created when Generate Bitstream is invoked. The bitstreams are outputted to the runs directory:

```
<project_name>/example_project/pcie_7x_v1_8_0_example/pcie_7x_v1_8_0_example.runs/  
impl/[tandem_pcie_stage1.bit|tandem_pcie_stage2.bit]
```

When bit file generation is complete, a PROM file might be created. See [PROM Selection, page 193](#) to ensure the target PROM and configuration methodology can meet the 100 ms Power On Reset requirement dictated by the PCI Express specification.

The following promgen example demonstrates how to create a PROM file for the KC705 reference board. This might change depending on the chosen configuration methodology.

```
promgen -w -p mcs -spi -u 0x0 <yourbitfile>.bit
```

ISE Tool Flow

The Xilinx 7 Series Integrated Block for PCI Express and ISE tool flow support implementations that target Xilinx reference boards.

Tandem PCIe is supported as outlined in [Table 3-56](#).

Table 3-56: Tandem PCIe Supported Reference Boards

HDL	Verilog Only
PCIe Configuration	All configurations (max: X8Gen2)
Xilinx Reference Board Support	KC705 Evaluation Board for Kintex-7 FPGA
Device Support	The ISE flow only supports Xilinx reference boards. To implement a generic Tandem PROM solution, see Vivado Tool Flow, page 181 .



RECOMMENDED: Customers starting a new Tandem design should use the Vivado tool flow.

Generating the Core

When opening a new CORE Generator tool project, you must select the correct Part/Package to enable the KC705 board and Tandem PCIe selection within the GUI. For the KC705 board, select the XC7K325-2FFG900 FPGA. The KC705 selection is shown in [Figure 3-94](#).

Table 3-57: Supported Part and Package Combination

Xilinx reference Board	Part/Package
KC705 (Rev B/C)	XC7K325-2FFG900

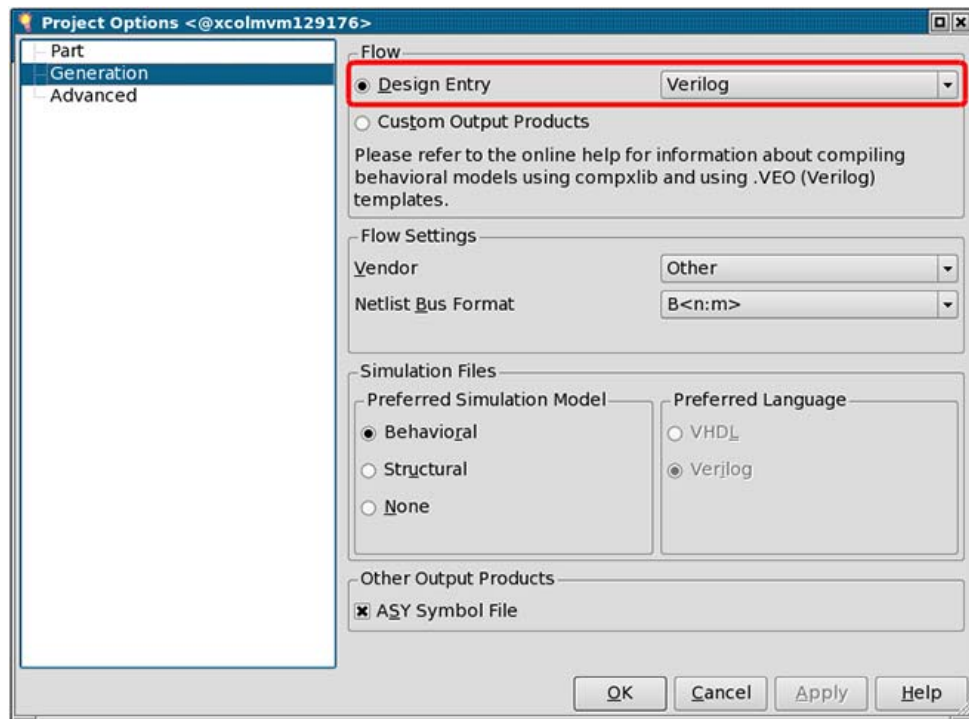


Figure 3-93: Choosing Verilog as the Design Entry

The Tandem PCIe flow is only supported by the Verilog HDL wrapper for PCI Express. [Figure 3-93](#) shows the Generation tab selected with **Verilog** chosen for the Design Entry type.

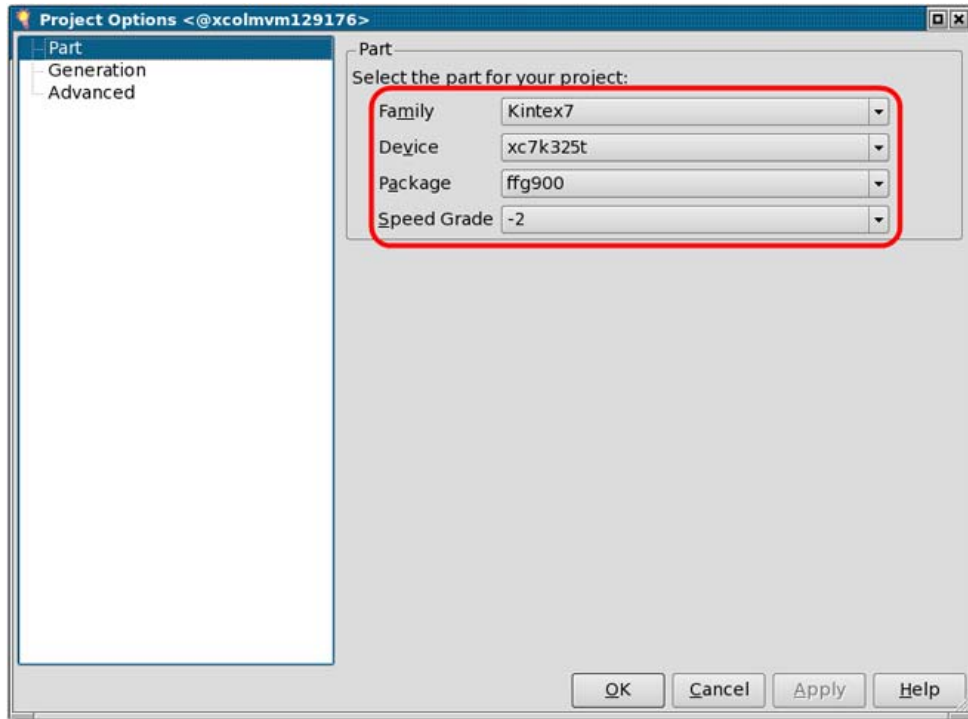


Figure 3-94: Device Selection for Tandem PROM Operation on the KC705

On page 10 of the customization GUI, you can select a development board to target. Ensure that the KC705 (Revision C) board is selected as shown in [Figure 3-95](#).

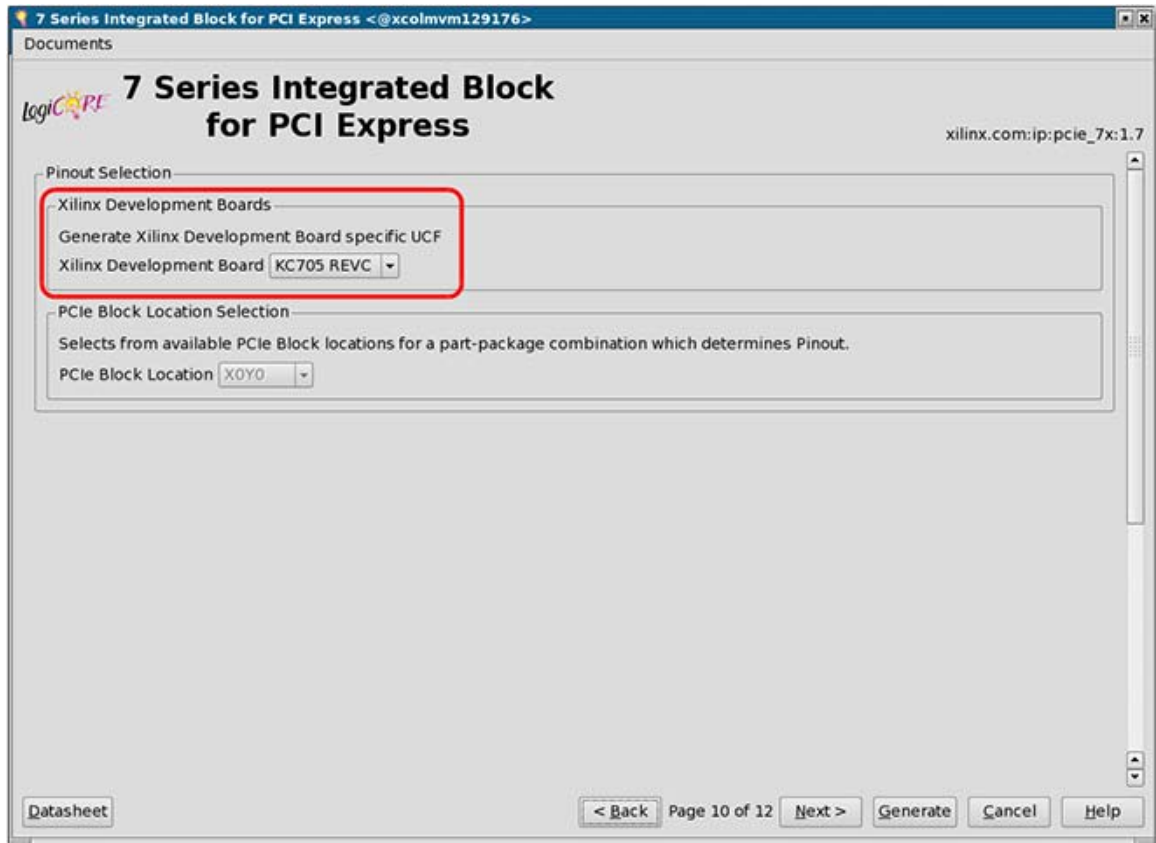


Figure 3-95: Selecting the KC705 Board as the Design Target

On page 12 (Figure 3-96), select **General ES** silicon, and click the **Tandem PCIe** radio button to enable the Tandem PCIe.

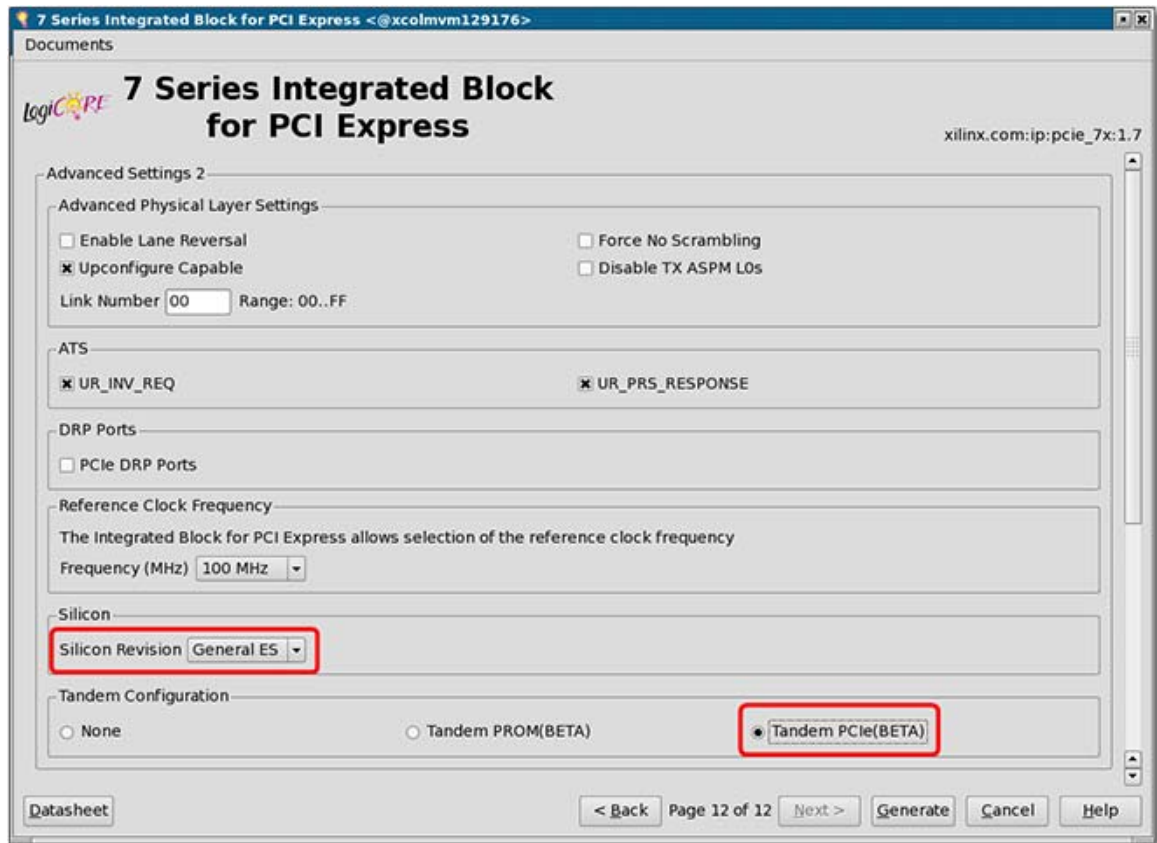


Figure 3-96: Enabling the Tandem PCIe Feature

When selecting the Tandem PCIe option, the CORE Generator tool inserts additional components into the IP wrapper. The additional components are transparent to the user flow, except the look-up table (LUT) and area usage are slightly higher when using the Tandem PCIe solution.

When the core is generated and integrated into your design, you can run simulation, synthesis, and implementation.

UCF Edits

The generated user constraints file (UCF) contains the appropriate constraints to enable the Tandem PCIe solution. However, you must edit the UCF and specify the configuration method to use and the I/O voltage present on the configuration bank (Bank 0). Doing so enables the proper design rule checks (DRCs) and tells BitGen which I/Os need to be persisted. For example, to create a PROM file for a 2.5 V, 16-bit BPI Flash, you must place these two lines in your UCF:

```
CONFIG CONFIG_MODE = BPI16;
CONFIG CONFIG_VOLTAGE = 2.5;
```

Note: See the KC705 board user guide for possible configuration modes and voltages. As of this printing only the BPI16 mode has been verified.

```
KC705:  
CONFIG CONFIG_MODE = BPI16;  
CONFIG CONFIG_VOLTAGE = 2.5;
```

For more information on these UCF constraints, see the *Xilinx Constraints Guide* [Ref 12].

The generated UCF for the Tandem PCIe solution contains extra *Physical Constraints*. These constraints tell the implementation tools which configuration frames must be loaded during the first stage. The details of these UCF constraints are only described here.



IMPORTANT: *Do not make any changes to these physical constraints.*

However, they can be copied and pasted into existing designs. The Instance names (INST) can change due to hierarchy differences when copying and pasting into existing designs.

In general, to achieve the best (that is, smallest) first-stage bitstream size, you should consider the location for any I/Os that are intended to be configured in the first stage. I/Os that are physically placed a long distance from the Integrated Block for PCI Express cause extra configuration frames to be included in the first stage. This is due to extra routing resources that are required to include these I/Os in the first stage.

Synthesis and Implementation

The command-line synthesis and implementation script can be run without modification to build the design. The script is `implement.[bat/sh]` and is found in the `implement` directory.



IMPORTANT: *Designers who do not use the provided example script must ensure they follow some basic steps to successfully build the design.*

Specifically, the `keep_hierarchy` option must be set for synthesis, and a partition must be set on the IP core wrapper for PCI Express.

The method to set the partition depends the design flow. Command-line users must copy and paste the provided `xpartition.pxml` file, found in the `implement` directory, into the directory that the command line is run.

Tandem PCIe Details

I/O Behavior

For each I/O that is required for the PCI Express IP (other than I/O associated with the GTX/GTH/GTP transceivers), the entire bank in which that I/O resides must be configured in the first bitstream. For PCI Express, the only signal needed in the first stage is the `sys_rst_n` input port. Be aware that any second stage I/O in the same I/O bank as `sys_rst_n` port are configured with the first stage. Any pins in the same I/O bank as `sys_rst_n` are unconnected internally, so any output pins might show unknown behavior until their

internal connections are complete. Also, components requiring initialization for second stage functionality should not be placed in these I/O banks unless these components are reset by the `user_reset_out` signal from PCI Express.

Configuration Pin Behavior

The DONE pin indicates completion of configuration with standard approaches. DONE is also used for Tandem Configuration, but in a slightly different manner. DONE pulses high at the end of the first stage, when the start-up sequences are run; it pulls high and stays high at the end of the second stage of configuration.

PROM Selection

Configuration PROMs have no specific requirements. However, to meet the 100 ms specification, you must select a PROM that meets the following three criteria:

1. Supported by Xilinx configuration.
2. Sized appropriately for both first and second stages; that is, the PROM must be able to contain the entire bitstream.
3. Meets the configuration time requirement for PCI Express based on the first-stage bitstream size and the calculations for the bitstream loading time.

See the *7 Series FPGAs Configuration User Guide (UG470)* [Ref 7] for a list of supported PROMs and device bitstream sizes.

Programming the Device

There are no special considerations for programming Tandem bitstreams versus standard bitstreams into a PROM. You can program a Tandem bitstream using all standard programming methods, such as JTAG, Slave and Master SelectMAP, SPI, and BPI. Regardless of the programming method used, the DONE pin is asserted after the first stage is loaded and operation begins.

Both internally generated `CCLK` and externally provided `EMCCLK` are supported for SPI and BPI programming. `EMCCLK` can be used to provide faster configuration rates due to tighter tolerances on the configuration clock. See the *7 Series FPGAs Configuration User Guide (UG470)* [Ref 7] for details on the use of `EMCCLK` with the Design Suite.

Tandem PCIe RTL Design

Tandem PCIe requires slight modifications from the non-tandem PCI Express product. This section indicates the additional logic embedded within Integrated Block for PCIe core and the additional responsibilities of the user application to implement a Tandem PCIe solution.

Tandem PCIe Ports

The Integrated Block for PCIe core and example design contain ports (signals) specific to the Tandem PCIe. These signals provide handshaking between the first stage (Integrated Block for PCIe core) and the second stage (user logic). Handshaking is necessary for interaction between the core and the user logic. Table 3-58 and Table 3-59 define the handshaking ports on the Integrated Block for PCIe core for the first and second stages, respectively.

Table 3-58: Tandem PCIe Handshaking During the First Stage

Name	Direction	Description
init_pattern_bus[7:0]	Input	This bus informs the Integrated Block for PCIe core that the second stage is loaded and running.
user_app_rdy	Output	This signal indicates that the Integrated Block for PCIe core recognizes that the first stage has been loaded successfully and is ready to configure the second stage bitstream.

Table 3-59: Tandem PCIe Handshaking During the Second Stage

Name	Direction	Description
user_app_rdy	Input	This signal is used to generate icap_rdy.
icap_rdy	Output	This signal indicates that the Integrated Block for PCIe core recognizes that the second stage of bitstream is successfully loaded and can begin interaction with the user application.

User Application Handshake

The user application must provide an alternating 8-bit pattern to the Integrated Block for PCIe core. This pattern is defined as hexadecimal values 0x12 and 0x9A (these values are parameterized), which must alternate on every user_clk_out clock cycle and made synchronous with respect to conf_clk. The top-level example design file called xilinx_pcie_2_1_ep_7x.v provides an example on how to generate this pattern. Cut and paste the example code into your own application to ensure the handshaking process occurs.

```
// Tandem PCIe configuration counter
init_counter #(.PATTERN_WIDTH(INIT_PATTERN_WIDTH), .INIT_PATTERN1(INIT_PATTERN1),
.INIT_PATTERN2(INIT_PATTERN2)) init_counter_i (
.clk( user_clk ),
.rst( ~sys_rst_n_c ),
.pattern_o( init_pattern_bus_pre2 )
);

//This logic is needed for faster clock speeds; it is a pipeline
// stage between the init counter and 1st stage bitstream pattern match logic.
// Since the init counter and fastboot logic are LOC'd to regions on the
// chip, this logic is allowed to float between the two.

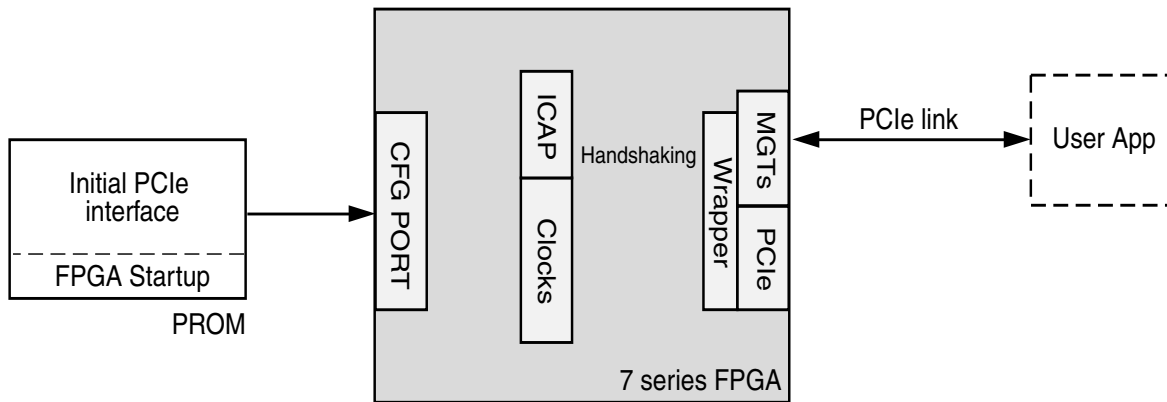
always @(posedge user_clk or negedge sys_rst_n_c) begin if(!sys_rst_n_c) begin
init_pattern_bus_pre1 <= #TCQ 'h0;
```

```

init_pattern_bus<= #TCQ 'h0;
end else begin
init_pattern_bus_pre1 <= #TCQ init_pattern_bus_pre2;
init_pattern_bus<= #TCQ init_pattern_bus_pre1;
end end

```

When the second stage finishes configuration and the FPGA Startup command is issued by the configuration controller, the user logic drives the alternating pattern on the `init_pattern_bus` port. When the Integrated Block for PCIe core sees this pattern, it asserts `user_app_rdy` to generate the `icap_rdy` signal, thus indicating the second stage can begin interfacing with the core.



X12938

Figure 3-97: Handshaking Details

Notes relevant to [Figure 3-97](#):

1. The second stage is activated after start-up, and logic generates a predetermined alternating pattern.
2. The logic in the first stage looks for this pattern and begins a countdown, when the pattern is detected.
3. When the counter finishes, the first stage asserts the `user_app_rdy` signal, which can be used to generate the `icap_rdy` signal in the second stage. The `icap_rdy` signal can be considered as a “Done” indicator.

Multiplexing on Critical Inputs

Certain input ports to the Integrated Block for PCIe core are multiplexed so that they are disabled during the second stage configuration process. These MUXes are located in the top-level core file, `pcie_7x_v1_8.v`, and are controlled by the `icap_rdy` signal.

Note: The name of the top-level file changes based on the name used during core customization.

These inputs are held in a deasserted state while the second stage bitstream is loaded. This masks off any unwanted glitching from the second stage logic and keeps the PCIe core in a

valid state. When `icap_rdy` is asserted, the MUXes are switched, and all signals behave as described in this document.

Tandem FPC

In addition to standard configuration requests, the PCI Express endpoint might receive TLP requests which are not processed within the PCI Express Hardblock. Typical TLP requests received during enumeration are Vendor Defined Messages and Read Requests. To avoid a lockup scenario within the PCI Express IP, TLP requests must be drained from the core to allow Configuration requests to be completed successfully. In a Tandem PCIe configuration, `1DW` memory write requests are also received with the payload of the second stage bitstream.

A Tandem FPC module is implemented to process these packets. All read requests are expected to be `1DW` and a CPLD is returned with a payload of `32'h0`. All Vendor Defined Message requests are purged from the cores receive buffer and no further processing is performed. Each Memory Write request targeting BAR6 is processed by the FPC and assumed to be second stage bitstream data. The payload is forwarded to the ICAP. After the second stage bitstream is loaded and `user_app_rdy` asserted, the Tandem FPC module becomes inactive.

Tandem PCIe KC705 Example Flow

Generating the Bitstream

This section demonstrates the Vivado flow from start to finish when targeting the KC705 reference board. Paths and pointers within this flow description assume the default component name `pcie_7x_v1_8_0` is used.

Step 1: Open the example design

Generate the core as described in [Generating the Core](#), page 167.

The example design software attaches to the device through the Vendor ID and Device ID. The Vendor ID must be `16'h10EE` and the Device ID must be `16'h7024`, as shown in [Figure 3-98](#).

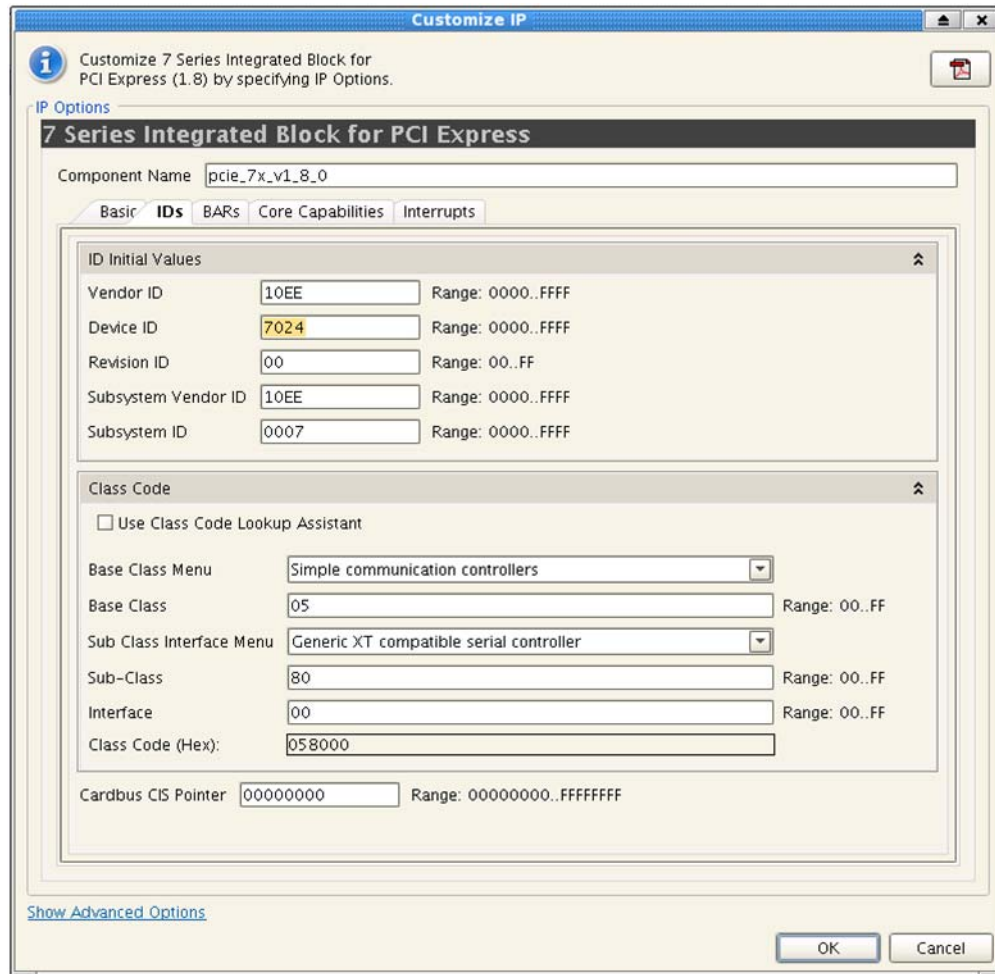


Figure 3-98: Vendor ID and Device ID

After being generated, the core hierarchy is available in the Sources tab in the Vivado Integrated Design Environment.

1. In the Source tab, right-click the core.
2. Select **Open IP Example Design**.

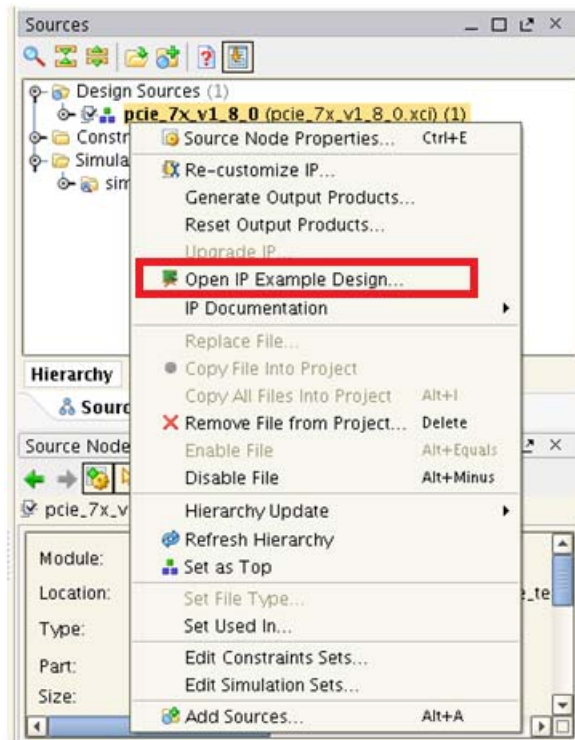


Figure 3-99: Open IP Example Design in Rick-Click Menu

A new instance of Vivado is created and the example design is automatically loaded into the Vivado Interactive Design Environment.

Step 2: Enable Tandem Configuration

After the example design is opened, source the Tandem-specific Tcl file that is provided during core generation to enable the Tandem flow. In the Tcl console, run:

```
source ./pcie_7x_v1_8_0_example.srcs/sources_1/ip/pcie_7x_v1_8_0/pcie_7x_v1_8_0/
source/convert_project_to_fastboot.tcl
```

Note: The path to the `convert_project_to_fastboot.tcl` file might be different depending on how the IP was named when generating the IP.

The Tcl Console displays the executed command.

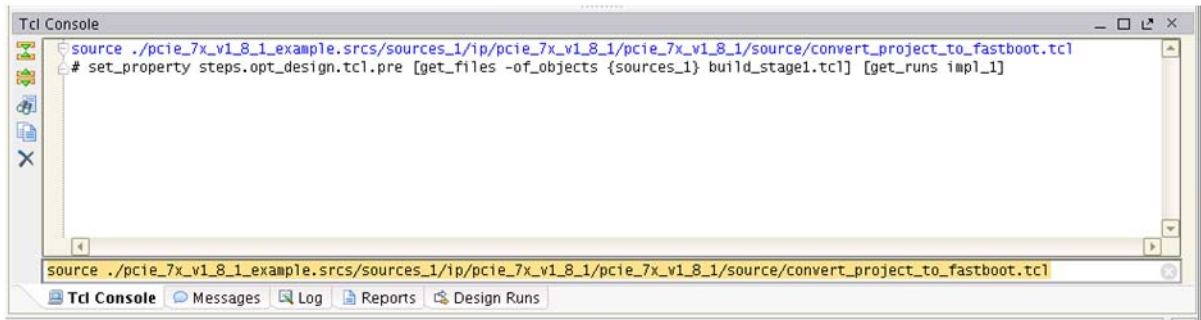


Figure 3-100: The Tcl Console

Step 3: Run Synthesis/Implementation

Click **Run Implementation** in the Flow Navigator. Select **OK** to run through synthesis first. The design runs through the complete tool flow, and the end result is a fully routed design supporting Tandem PCIe.

Step 4: Generate the bitstream

After Synthesis and Implementation are complete, click **Generate Bitstream** in the Flow Navigator. Two bitstreams called `tandem_stage1.bit` and `tandem_stage2.bit` are created and placed in the runs directory:

```
<project_name>/example_project/pcie_7x_v1_8_0_example/pcie_7x_v1_8_0_example.runs/  
impl/[tandem_stage1.bit|tandem_stage2.bit]
```

Step 5: Generate the PROM file for Stage 1

Run the following command on the command line to create a PROM file supported on the KC705 development board.

```
promgen -w -p mcs -spi -u 0x0 tandem_stage1.bit
```

Loading the Second Stage Through PCI Express

An example kernel mode driver and user space application is provided with the IP. For information on retrieving the software and documentation, see www.xilinx.com/support/answers/51950.htm

Calculating Bitstream Load Time for Tandem PROM and Tandem PCIe

The configuration loading time is a function of the configuration clock frequency and precision, data width of the configuration interface, and bitstream size. The calculation is broken down into three steps:

1. Calculate the minimum clock frequency based on the nominal clock frequency and subtract any variation from the nominal.

$$\text{Minimum Clock Frequency} = \text{Nominal Clock} - \text{Clock Variation}$$

2. Calculate the minimum PROM bandwidth, which is a function of the data bus width, clock frequency, and PROM type. The PROM bandwidth is the minimum clock frequency multiplied by the bus width.

$$\text{PROM Bandwidth} = \text{Minimum Clock Frequency} * \text{Bus Width}$$

3. Calculate the first-stage bitstream loading time, which is the minimum PROM bandwidth from [step 2](#), divided by the first-stage bitstream size as reported by BitGen.

$$\text{First Stage Load Time} = (\text{PROM Bandwidth}) / (\text{First Stage Bitstream Size})$$

The first stage bitstream size, reported by BitGen, can be read directly from the terminal or from the log file (BGN).

Here is a snippet from the BGN file showing the bitstream size for the first stage:

```
Saving bitstream in "routed.bit".
Writing fast boot bitstream.
Fast boot bitstream contains 12003648 bits.
Writing user design bitstream.
Saving bitstream in "routed.rbt".
Bitstream generation is complete.
```

Example 1

The configuration for Example 1 is:

- QSPI (x4) operating at 66 MHz \pm 200 ppm
- First stage size = 12003648 bits

The steps to calculate the configuration loading time are:

1. Calculate the minimum clock frequency:

$$66 \text{ MHz} * (1 - 0.0002) = 65.98 \text{ MHz}$$

2. Calculate the minimum PROM bandwidth:

$$4 \text{ bits} * 65.98 \text{ MHz} = 263.92 \text{ Mb/s}$$

3. Calculate the first-stage bitstream loading time:

$$12.004 \text{ Mb} / 263.92 \text{ Mb/s} = \sim 0.0455 \text{ s or } 45.5 \text{ ms}$$

Example 2

The configuration for Example 2 is:

- BPI (x16) Synchronous mode, operating at 50 MHz \pm 100 ppm
- First Stage size = 12003648 bits

The steps to calculate the configuration loading time are:

1. Calculate the minimum clock frequency:

$$50 \text{ MHz} * (1 - 0.0001) = 49.995 \text{ MHz}$$

2. Calculate the minimum PROM bandwidth:

$$16 \text{ bits} * 49.995 \text{ MHz} = 799.92 \text{ Mb/s}$$

3. Calculate the first-stage bitstream loading time:

$$12.004 \text{ (Mb)} / 799.92 \text{ (Mb/s)} = \sim 0.015 \text{ s or } 15 \text{ ms}$$

Other Bitstream Load Time Considerations

Bitstream configuration times can also be affected by:

- Power supply ramp times, including any delays due to regulators
- T_{POR} (power on reset)

Power-supply ramp times are design-dependent. Take care to not design in large ramp times or delays. The FPGA power supplies that must be provided to begin FPGA configuration are listed in *7 Series FPGAs Configuration User Guide (UG470)* [Ref 7].

In many cases, the FPGA power supplies can ramp up simultaneously or even slightly before the system power supply. In these cases, the design gains timing margin because the 100 ms does not start counting until the system supplies are stable. Again, this is design-dependent. Systems should be characterized to determine the relationship between FPGA supplies and system supplies.

T_{POR} is 50 ms and fixed for 7 series devices. See *Virtex-7 FPGAs Data Sheet: DC and AC Switching Characteristics (DS183)*[Ref 6] and *Kintex-7 FPGAs Data Sheet: DC and AC Switching Characteristics (DS182)*[Ref 5].

Consider two cases for Example 1 (QSPI [x4] operating at 66 MHz \pm 200 ppm) from [Calculating Bitstream Load Time for Tandem PROM and Tandem PCIe](#):

- [Case 1: Without ATX Supply](#)
- [Case 2: With ATX Supply](#)

Assume that the FPGA power supplies ramp to a stable level (2 ms) after the 3.3V and 12V system power supplies. This time difference is called T_{FPGA_PWR} . In this case, because the FPGA supplies ramp after the system supplies, the power supply ramp time takes away from the 100 ms margin.

The equations to test are:

$$T_{POR} + \text{Bitstream Load Time} + T_{FPGA_PWR} < 100 \text{ ms for non-ATX}$$

$$T_{POR} + \text{Bitstream Load Time} + T_{FPGA_PWR} - 100 \text{ ms} < 100 \text{ ms for ATX}$$

Case 1: Without ATX Supply

Because there is no ATX supply, the 100 ms begins counting when the 3.3V and 12 V system supplies reach within 9% and 8% of their nominal voltages, respectively (see the *PCI Express Card Electromechanical Specification* [Ref 2]).

$$50 \text{ ms } (T_{POR}) + 45.5 \text{ ms (bitstream time)} + 2 \text{ ms (ramp time)} = 97.5 \text{ ms}$$

$$97.5 \text{ ms} < 100 \text{ ms PCIe standard (okay)}$$

In this case, the margin is 2.5 ms.

Case 2: With ATX Supply

ATX supplies provide a PWR_OK signal that indicates when system power supplies are stable. This signal is asserted at least 100 ms after actual supplies are stable. Thus, this extra 100 ms can be added to the timing margin.

$$50 \text{ ms } (T_{POR}) + 45.5 \text{ ms (bitstream time)} + 2 \text{ ms (ramp time)} - 100 \text{ ms} = -2 \text{ ms}$$

$$-2.5 \text{ ms} < 100 \text{ ms PCIe standard (okay)}$$

In this case, the margin is 102.5 ms.

Clocking

The Integrated Block input system clock signal is called `sys_clk`. The core requires a 100 MHz, 125 MHz, or 250 MHz clock input. The clock frequency used must match the clock frequency selection in the CORE Generator tool GUI.

In a typical PCI Express solution, the PCI Express reference clock is a Spread Spectrum Clock (SSC), provided at 100 MHz. In most commercial PCI Express systems, SSC cannot be disabled. For more information regarding SSC and PCI Express, see section 4.3.1.1.1 of the *PCI Express Base Specification* [Ref 2].

Synchronous and Non-Synchronous Clocking

There are two ways to clock the PCI Express system:

- Using synchronous clocking, where a shared clock source is used for all devices.
- Using non-synchronous clocking, where each device has its own clock source. ASPM must not be used in systems with non-synchronous clocking.



RECOMMENDED: Use synchronous clocking when using the core. All add-in card designs must use synchronous clocking due to the characteristics of the provided reference clock. For devices using the Slot clock, the "Slot Clock Configuration" setting in the Link Status Register must be enabled in the CORE Generator tool GUI. See the 7 Series FPGAs GTX Transceivers User Guide (UG476) and device data sheet for additional information regarding reference clock requirements.

For synchronous clocked systems, each link partner device shares the same clock source. Figure 3-101 and Figure 3-103 show a system using a 100 MHz reference clock. When using the 125 MHz or the 250 MHz reference clock option, an external PLL must be used to do a multiply of 5/4 and 5/2 to convert the 100 MHz clock to 125 MHz and 250 MHz, respectively, as illustrated in Figure 3-102 and Figure 3-104.

Further, even if the device is part of an embedded system, if the system uses commercial PCI Express root complexes or switches along with typical motherboard clocking schemes, synchronous clocking should still be used as shown in Figure 3-101 and Figure 3-102.

Figure 3-101 through Figure 3-104 illustrate high-level representations of the board layouts. Designers must ensure that proper coupling, termination, and so forth are used when laying out the board.

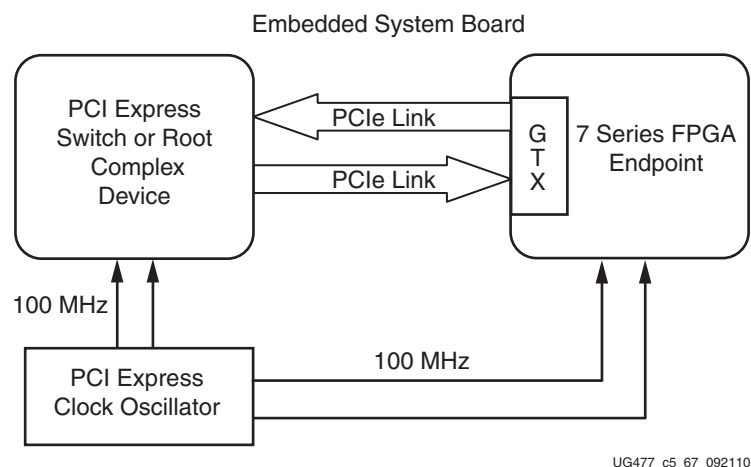


Figure 3-101: Embedded System Using 100 MHz Reference Clock

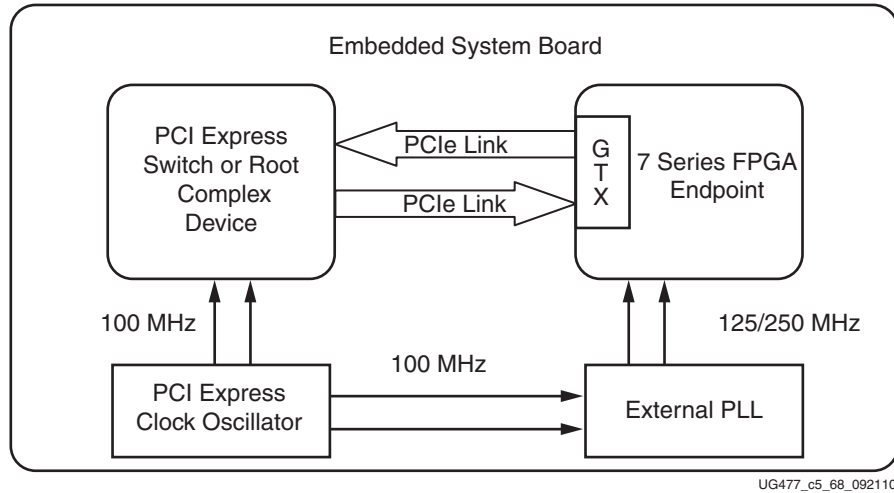


Figure 3-102: Embedded System Using 125/250 MHz Reference Clock

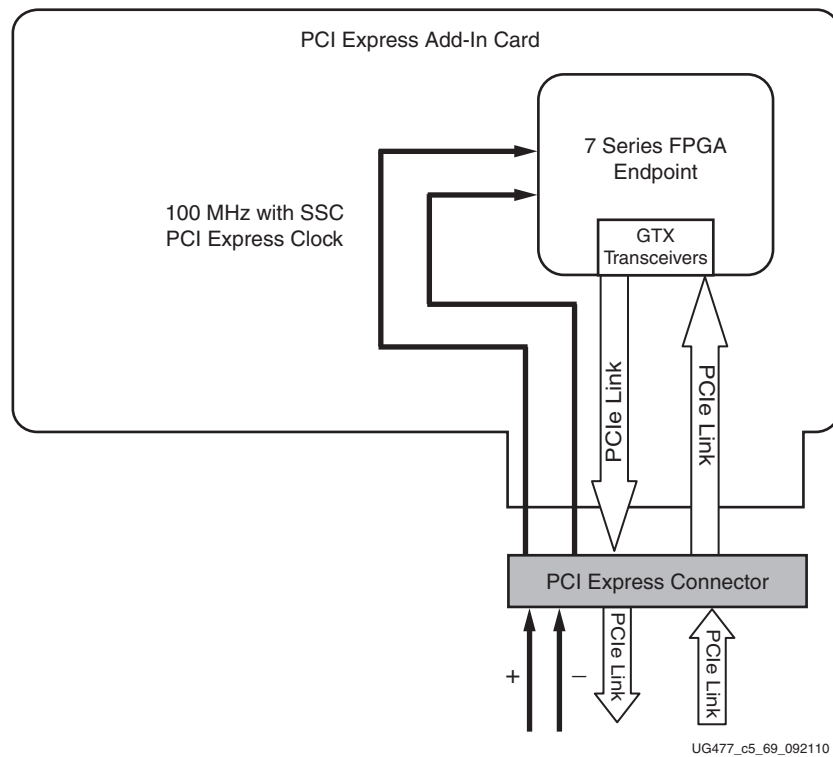


Figure 3-103: Open System Add-In Card Using 100 MHz Reference Clock

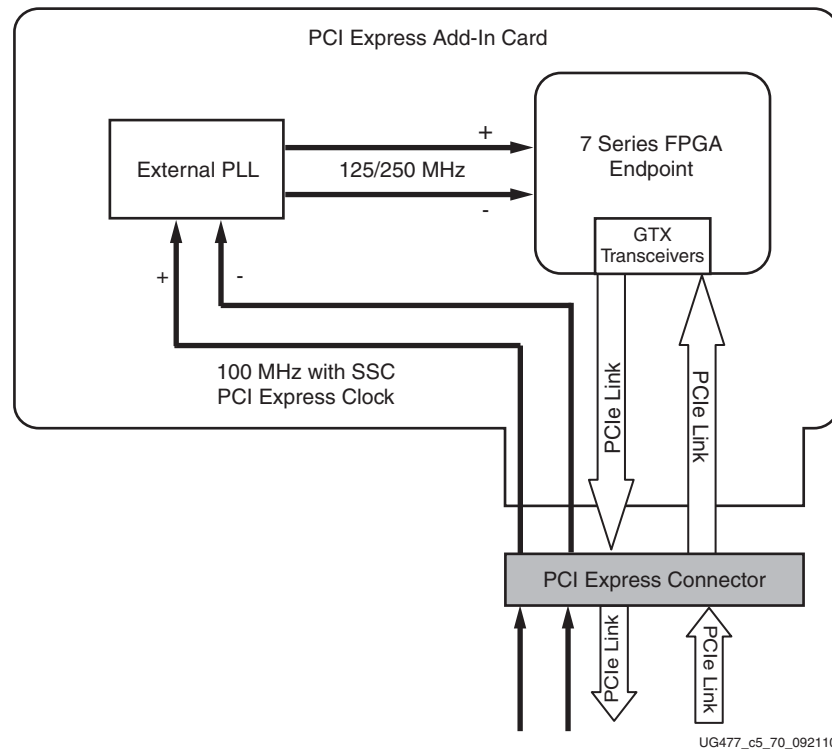


Figure 3-104: Open System Add-In Card Using 125/250 MHz Reference Clock

Resets

The 7 Series FPGAs Integrated Block for PCI Express core uses `sys_rst_n` to reset the system, an asynchronous, active-High reset signal asserted during the PCI Express Fundamental Reset. Asserting this signal causes a hard reset of the entire core, including the GTX transceivers. After the reset is released, the core attempts to link train and resume normal operation. In a typical Endpoint application, for example, an add-in card, a sideband reset signal is normally present and should be connected to `sys_rst_n`. For Endpoint applications that do not have a sideband system reset signal, the initial hardware reset should be generated locally. Three reset events can occur in PCI Express:

- **Cold Reset.** A Fundamental Reset that occurs at the application of power. The signal `sys_rst_n` is asserted to cause the cold reset of the core.
- **Warm Reset.** A Fundamental Reset triggered by hardware without the removal and re-application of power. The `sys_rst_n` signal is asserted to cause the warm reset to the core.
- **Hot Reset:** In-band propagation of a reset across the PCI Express Link through the protocol. In this case, `sys_rst_n` is not used. In the case of Hot Reset, the `received_hot_reset` signal is asserted to indicate the source of the reset.

The User Application interface of the core has an output signal called `user_reset_out`. This signal is deasserted synchronously with respect to `user_clk_out`. Signal `user_reset_out` is asserted as a result of any of these conditions:

- **Fundamental Reset:** Occurs (cold or warm) due to assertion of `sys_rst_n`.
- **PLL within the Core Wrapper:** Loses lock, indicating an issue with the stability of the clock input.
- **Loss of Transceiver PLL Lock:** Any transceiver loses lock, indicating an issue with the PCI Express Link.

The `user_reset_out` signal deasserts synchronously with `user_clk_out` after all of the above conditions are resolved, allowing the core to attempt to train and resume normal operation.



IMPORTANT: *Systems designed to the PCI Express electro-mechanical specification provide a sideband reset signal, which uses 3.3V signaling levels—see the FPGA device data sheet to understand the requirements for interfacing to such signals.*

Protocol Layers

The functions of the protocol layers, as defined by the *PCI Express Base Specification [Ref 2]*, include generation and processing of Transaction Layer Packets (TLPs), flow control management, initialization, power management, data protection, error checking and retry, physical link interface initialization, maintenance and status tracking, serialization, deserialization, and other circuitry for interface operation. Each layer is defined in the next subsections.

Transaction Layer

The Transaction Layer is the upper layer of the PCI Express architecture, and its primary function is to accept, buffer, and disseminate Transaction Layer packets or TLPs. TLPs communicate information through the use of memory, I/O, configuration, and message transactions. To maximize the efficiency of communication between devices, the Transaction Layer enforces PCI compliant Transaction ordering rules and manages TLP buffer space via credit-based flow control.

Data Link Layer

The Data Link Layer acts as an intermediate stage between the Transaction Layer and the Physical Layer. Its primary responsibility is to provide a reliable mechanism for the exchange of TLPs between two components on a link.

Services provided by the Data Link Layer include data exchange (TLPs), error detection and recovery, initialization services and the generation and consumption of Data Link Layer Packets (DLLPs). DLLPs are used to transfer information between Data Link Layers of two directly connected components on the link. DLLPs convey information such as Power Management, Flow Control, and TLP acknowledgments.

Physical Layer

The Physical Layer interfaces the Data Link Layer with signalling technology for link data interchange, and is subdivided into the Logical sub-block and the Electrical sub-block.

- The Logical sub-block frames and deframes TLPs and DLLPs. It also implements the Link Training and Status State machine (LTSSM), which handles link initialization, training, and maintenance. Scrambling, descrambling, and 8B/10B encoding and decoding of data is also performed in this sub-block.
- The Electrical sub-block defines the input and output buffer characteristics that interfaces the device to the PCIe® link.

The Physical Layer also supports Lane Reversal (for multi-lane designs) and Lane Polarity Inversion, as indicated in the *PCI Express Base Specification, rev. 2.1* [Ref 2] requirement.

Configuration Management

The Configuration Management layer maintains the PCI™ Type 0 Endpoint configuration space and supports these features:

- Implements the PCI Configuration Space
- Supports Configuration Space accesses
- Power Management functions
- Implements error reporting and status functionality
- Implements packet processing functions
 - Receive
 - Configuration Reads and Writes
 - Transmit
 - Completions with or without data
 - TLM Error Messaging
 - User Error Messaging
 - Power Management Messaging/Handshake
- Implements MSI and INTx interrupt emulation

- Optionally implements MSIx Capability Structure in the PCI Configuration Space
- Optionally implements the Device Serial Number Capability in the PCI Express Extended Capability Space
- Optionally implements Virtual Channel Capability (support only for VC0) in the PCI Express Extended Capability Space
- Optionally implements Xilinx defined Vendor Specific Capability Structure in the PCI Express Extended Capability space to provide Loopback Control and Status
- Optionally implements Advanced Error Reporting (AER) Capability Structure in the PCI Express Extended Configuration Space
- Optionally implements Resizable BAR (RBAR) Capability Structure in the PCI Express Extended Configuration Space

FPGA Configuration

This section discusses how to configure the Xilinx® 7 series FPGA so that the device can link up and be recognized by the system. This information is provided for you to choose the correct FPGA configuration method for the system and verify that it works as expected.

This section discusses how specific requirements of the *PCI Express Base Specification* and *PCI Express Card Electromechanical Specification* [Ref 2] apply to FPGA configuration.



RECOMMENDED: *Where appropriate, Xilinx recommends that you read the actual specifications for detailed information.*

See [Tandem PROM](#) , page 161 for more information on meeting configuration requirements after reading this section.

This section contains these subsections:

- [Configuration Terminology](#). Defines terms used in this section.
- [Configuration Access Time](#). Several specification items govern when an Endpoint device needs to be ready to receive configuration accesses from the host (Root Complex).
- [Board Power in Real-World Systems](#). Understanding real-world system constraints related to board power and how they affect the specification requirements.
- [Recommendations](#). Describes methods for FPGA configuration and includes sample problem analysis for FPGA configuration timing issues.

Configuration Terminology

In this section, these terms are used to differentiate between FPGA configuration and configuration of the PCI Express® device:

- Configuration of the FPGA. *FPGA configuration* is used.
- Configuration of the PCI Express device. After the link is active, *configuration* is used.

Configuration Access Time

In standard systems for PCI Express, when the system is powered up, configuration software running on the processor starts scanning the PCI Express bus to discover the machine topology.

The process of scanning the PCI Express hierarchy to determine its topology is referred to as the *enumeration process*. The root complex accomplishes this by initiating configuration transactions to devices as it traverses and determines the topology.

All PCI Express devices are expected to have established the link with their link partner and be ready to accept configuration requests during the enumeration process. As a result, there are requirements as to when a device needs to be ready to accept configuration requests after power up; if the requirements are not met, this occurs:

- If a device is not ready and does not respond to configuration requests, the root complex does not discover it and treats it as non-existent.
- The operating system does not report the device's existence and the user's application is not able to communicate with the device.

Choosing the appropriate FPGA configuration method is key to ensuring the device is able to communicate with the system in time to achieve link up and respond to the configuration accesses.

Configuration Access Specification Requirements

Two PCI Express specification items are relevant to configuration access:

1. Section 6.6 of *PCI Express Base Specification*, rev 1.1 states "A system must guarantee that all components intended to be software visible at boot time are ready to receive Configuration Requests within 100 ms of the end of Fundamental Reset at the Root Complex." For detailed information about how this is accomplished, see the specification; it is beyond the scope of this discussion.

Xilinx compliance to this specification is validated by the PCI Express-CV tests. The [PCI Special Interest Group \(PCI-SIG\)](#) provides the PCI Express Configuration Test Software to verify the device meets the requirement of being able to receive configuration accesses within 100 ms of the end of the fundamental reset. The software, available to any

member of the PCI-SIG, generates several resets using the in-band reset mechanism and PERST# toggling to validate robustness and compliance to the specification.

- Section 6.6 of *PCI Express Base Specification v1.1* [Ref 2] defines three parameters necessary “where power and PERST# are supplied.” The parameter T_{PVPERL} applies to FPGA configuration timing and is defined as:

T_{PVPERL} - PERST# must remain active at least this long after power becomes valid.

The *PCI Express Base Specification* does not give a specific value for T_{PVPERL} – only its meaning is defined. The most common form factor used by designers with the Integrated Block core is an ATX-based form factor. The *PCI Express Card Electromechanical Specification* [Ref 2] focuses on requirements for ATX-based form factors. This applies to most designs targeted to standard desktop or server type motherboards. Figure 3-105 shows the relationship between Power Stable and PERST#.

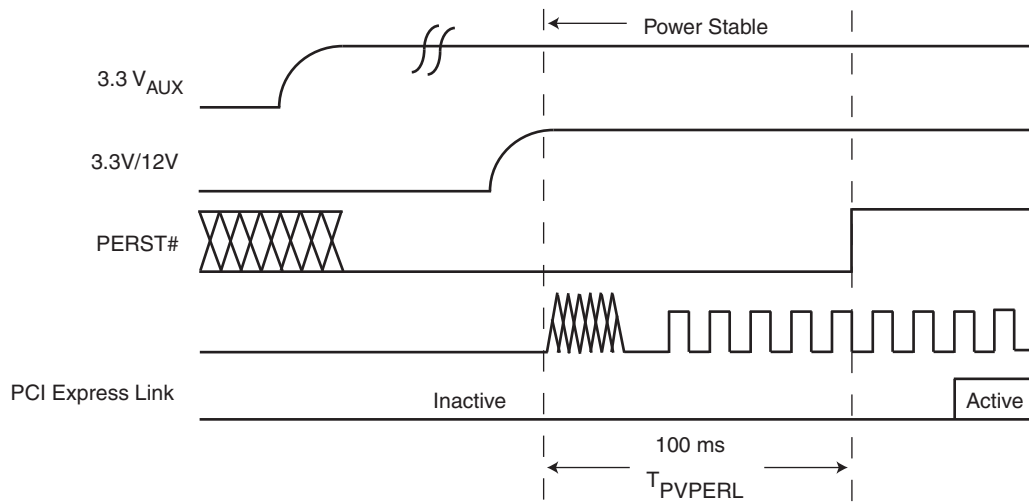


Figure 3-105: Power Up

Section 2.6.2 of the *PCI Express Card Electromechanical Specification, v1.1* [Ref 2] defines T_{PVPERL} as a minimum of 100 ms, indicating that from the time power is stable the system reset is asserted for at least 100 ms (as shown in Table 3-60).

Table 3-60: T_{PVPERL} Specification

Symbol	Parameter	Min	Max	Units
T_{PVPERL}	Power stable to PERST# inactive	100		ms

From Figure 3-105 and Table 3-60, it is possible to obtain a simple equation to define the FPGA configuration time as follows:

$$\text{FPGA Configuration Time} \leq T_{PWRVLD} + T_{PVPERL} \tag{Equation 3-1}$$

Given that T_{PVPERL} is defined as 100 ms minimum, this becomes:

$$\text{FPGA Configuration Time} \leq T_{PWRVLD} + 100 \text{ ms} \quad \text{Equation 3-2}$$

Note: Although T_{PWRVLD} is included in [Equation 3-2](#), it has yet to be defined in this discussion because it depends on the type of system in use. The [Board Power in Real-World Systems](#) section defines T_{PWRVLD} for both ATX-based and non ATX-based systems.

FPGA configuration time is only relevant at cold boot; subsequent warm or hot resets do not cause reconfiguration of the FPGA. If the design appears to be having issues due to FPGA configuration, the user should issue a warm reset as a simple test, which resets the system, including the PCI Express link, but keeps the board powered. If the issue does not appear, the issue could be FPGA configuration time related.

Board Power in Real-World Systems

Several boards are used in PCI Express systems. The *ATX Power Supply Design* specification, endorsed by Intel, is used as a guideline and for this reason followed in the majority of mother boards and 100% of the time if it is an Intel-based motherboard. The relationship between power rails and power valid signaling is described in the [ATX 12V Power Supply Design Guide](#). [Figure 3-106](#), redrawn here and simplified to show the information relevant to FPGA configuration, is based on the information and diagram found in section 3.3 of the *ATX 12V Power Supply Design Guide*. For the entire diagram and definition of all parameters, see the *ATX 12V Power Supply Design Guide*.

[Figure 3-106](#) shows that power stable indication from [Figure 3-105](#) for the PCI Express system is indicated by the assertion of PWR_OK. PWR_OK is asserted High after some delay when the power supply has reached 95% of nominal.

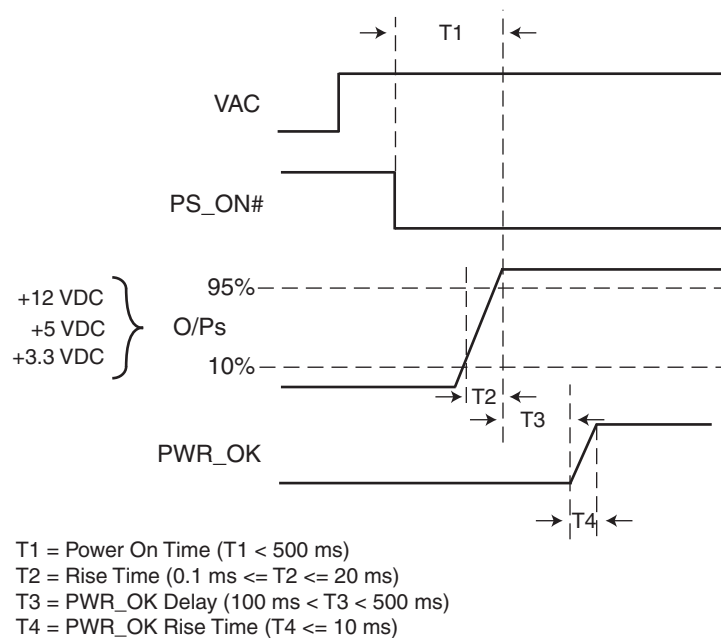


Figure 3-106: ATX Power Supply

Figure 3-106 shows that power is valid before PWR_OK is asserted High. This is represented by T3 and is the PWR_OK delay. The *ATX 12V Power Supply Design Guide* defines PWR_OK as $100\text{ ms} < T3 < 500\text{ ms}$, indicating that from the point at which the power level reaches 95% of nominal, there is a minimum of at least 100 ms but no more than 500 ms of delay before PWR_OK is asserted. Remember, according to the *PCI Express Card Electromechanical Specification [Ref 2]*, the PERST# is guaranteed to be asserted a minimum of 100 ms from when power is stable indicated in an ATX system by the assertion of PWR_OK.

Again, the FPGA configuration time equation is:

$$\text{FPGA Configuration Time} \leq T_{\text{PWRVLD}} + 100\text{ ms} \quad \text{Equation 3-3}$$

T_{PWRVLD} is defined as PWR_OK delay period; that is, T_{PWRVLD} represents the amount of time that power is valid in the system before PWR_OK is asserted. This time can be added to the amount of time the FPGA has to configure. The minimum values of T2 and T4 are negligible and considered zero for purposes of these calculations. For ATX-based motherboards, which represent the majority of real-world motherboards in use, T_{PWRVLD} can be defined as:

$$100\text{ ms} \leq T_{\text{PWRVLD}} \leq 500\text{ ms} \quad \text{Equation 3-4}$$

This provides these requirements for FPGA configuration time in both ATX and non-ATX-based motherboards:

- FPGA Configuration Time $\leq 200\text{ ms}$ (for ATX based motherboard)
- FPGA Configuration Time $\leq 100\text{ ms}$ (for non-ATX based motherboard)

The second equation for the non-ATX based motherboards assumes a T_{PWRVLD} value of 0 ms because it is not defined in this context. Designers with non-ATX based motherboards should evaluate their own power supply design to obtain a value for T_{PWRVLD} .

This section assumes that the FPGA power (V_{CCINT}) is stable before or at the same time that PWR_OK is asserted. If this is not the case, then additional time must be subtracted from the available time for FPGA configuration.



IMPORTANT: Avoid designing add-in cards with staggered voltage regulators with long delays.

Hot Plug Systems

Hot Plug systems generally employ the use of a Hot-Plug Power Controller located on the system motherboard. Many discrete Hot-Plug Power Controllers extend T_{PVPERL} beyond the minimum 100 ms. Add-in card designers should consult the Hot-Plug Power Controller data sheet to determine the value of T_{PVPERL} . If the Hot-Plug Power Controller is unknown, then a T_{PVPERL} value of 100 ms should be assumed.

Recommendations

For minimum FPGA configuration time, Xilinx recommends the BPI configuration mode with a parallel NOR flash, which supports high-speed synchronous read operation. In addition, an external clock source can be supplied to the external master configuration clock (EMCCLK) pin to ensure a consistent configuration clock frequency for all conditions. See *7 Series FPGAs Configuration User Guide (UG470)* [Ref 7] for descriptions of the BPI configuration mode and EMCCLK pin. This section discusses these recommendations and includes sample analysis of potential issues that might arise during FPGA configuration.

FPGA Configuration Times for 7 Series Devices

During power up, the FPGA configuration sequence is performed in four steps:

1. Wait for power on reset (POR) for all voltages (V_{CCINT} , V_{CCAUX} , and V_{CCO_0}) in the FPGA to trip, referred to as POR Trip Time.
2. Wait for completion (deassertion) of INIT_B to allow the FPGA to initialize before accepting a bitstream transfer.

Note: As a general rule, steps 1 and 2 require ≤ 50 ms

3. Wait for assertion of DONE, the actual time required for a bitstream to transfer depends on:
 - Bitstream size
 - Clock (CCLK) frequency
 - Transfer mode (and data bus width) from the flash device
 - SPI = Serial Peripheral Interface (x1, x2, or x4)
 - BPI = Byte Peripheral Interface (x8 or x16)

Bitstream transfer time can be estimated using this equation.

$$\text{Bitstream transfer time} = (\text{bitstream size in bits}) / (\text{CCLK frequency}) / (\text{data bus width in bits}) \quad \text{Equation 3-5}$$

For detailed information about the configuration process, see the *7 Series FPGAs Configuration User Guide (UG470)* [Ref 7].

Sample Problem Analysis

This section presents data from an ASUS PL5 system to demonstrate the relationships between Power Valid, FPGA Configuration, and PERST#. [Figure 3-107](#) shows a case where the Endpoint failed to be recognized due to a FPGA configuration time issue. [Figure 3-108](#) shows a successful FPGA configuration with the Endpoint being recognized by the system.

Failed FPGA Recognition

Figure 3-107 illustrates an example of a cold boot where the host failed to recognize the Xilinx FPGA. Although a second PERST# pulse assists in allowing more time for the FPGA to configure, the slowness of the FPGA configuration clock (2 MHz) causes configuration to complete well after this second deassertion. During this time, the system enumerated the bus and did not recognize the FPGA.

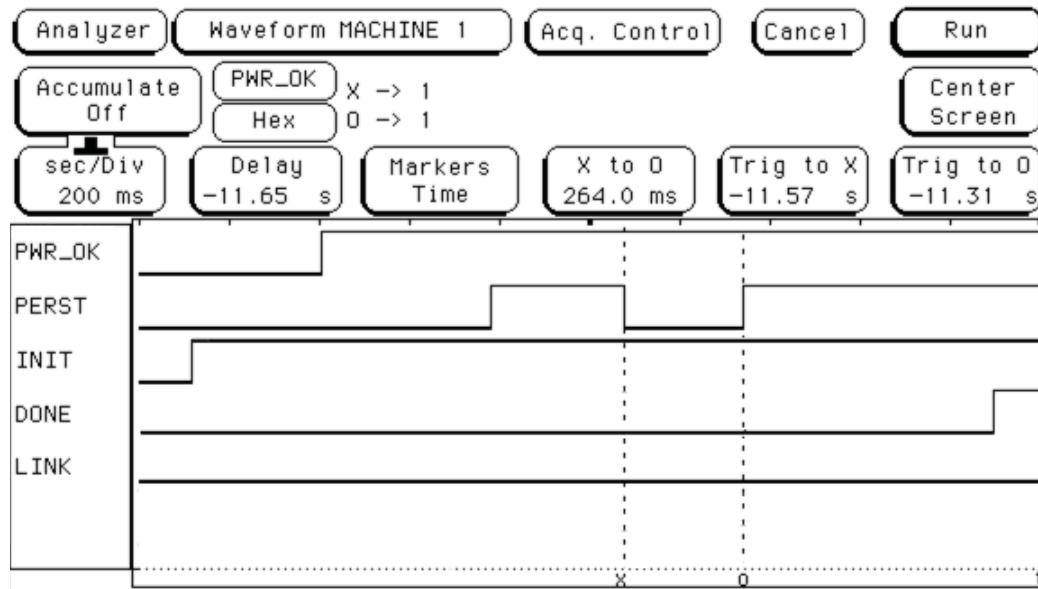


Figure 3-107: Host Fails to Recognize FPGA Due to Slow Configuration Time

Successful FPGA Recognition

Figure 3-108 illustrates a successful cold boot test on the same system. In this test, the CCLK was running at 50 MHz, allowing the FPGA to configure in time to be enumerated and recognized. The figure shows that the FPGA began initialization approximately 250 ms before PWR_OK. DONE going High shows that the FPGA was configured even before PWR_OK was asserted.

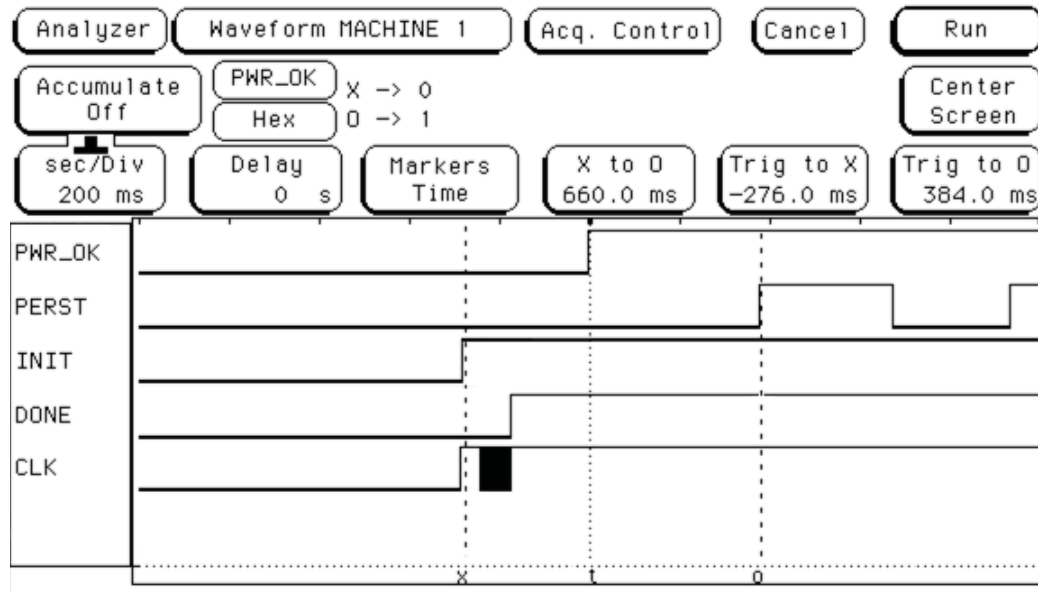


Figure 3-108: Host Successfully Recognizes FPGA

Workarounds for Closed Systems

For failing FPGA configuration combinations, designers might be able to work around the issue in closed systems or systems where they can guarantee behavior. These options are not recommended for products where the targeted end system is unknown.

1. Check if the motherboard and BIOS generate multiple PERST# pulses at start-up. This can be determined by capturing the signal on the board using an oscilloscope. This is similar to what is shown in Figure 3-107. If multiple PERST# pulses are generated, this typically adds extra time for FPGA configuration.

Define $T_{PERSTPERIOD}$ as the total sum of the pulse width of PERST# and deassertion period before the next PERST# pulse arrives. Because the FPGA is not power cycled or reconfigured with additional PERST# assertions, the $T_{PERSTPERIOD}$ number can be added to the FPGA configuration equation.

$$FPGA \text{ Configuration Time} \leq T_{PWRVLD} + T_{PERSTPERIOD} + 100 \text{ ms} \quad \text{Equation 3-6}$$

2. In closed systems, it might be possible to create scripts to force the system to perform a warm reset after the FPGA is configured, after the initial power up sequence. This resets the system along with the PCI Express subsystem allowing the device to be recognized by the system.

SECTION II: VIVADO DESIGN SUITE

Customizing and Generating the Core

Constraining the Core

Getting Started Example Design

Example Design and Model Test Bench for
Endpoint Configuration

Example Design and Model Test Bench for Root
Port Configuration

PIPE Mode Simulations

Customizing and Generating the Core

This chapter includes information on using the Vivado™ Design Suite to customize and generate the core.

Graphical User Interface (GUI)

The Xilinx® 7 Series FPGAs Integrated Block for PCI Express® core is a fully configurable and highly customizable solution. The 7 Series FPGAs Integrated Block for PCI Express is customized using the Vivado IP Catalog.

Note: The screen captures in this chapter are conceptual representatives of their subjects and provide general information only. For the latest information, see the Vivado Design Suite.

Customizing the Core using the Vivado IP Catalog

The Vivado Design Suite IP Catalog for the 7 Series FPGAs Integrated Block for PCI Express consists of two modes: [Basic Mode](#) and [Advanced Mode](#). To select a mode, use the Mode drop-down list on the first page of the Customize IP dialog box.

Basic Mode

The Basic mode parameters are in the following pages:

- [Basic](#)
- [Identifiers \(IDs\)](#)
- [Base Address Registers \(BARs\)](#)
- [Core Capabilities](#)
- [Interrupts](#)

Basic

The initial customization page shown in [Figure 4-1](#) is used to define the basic parameters for the core, including the component name, lane width, and link speed.

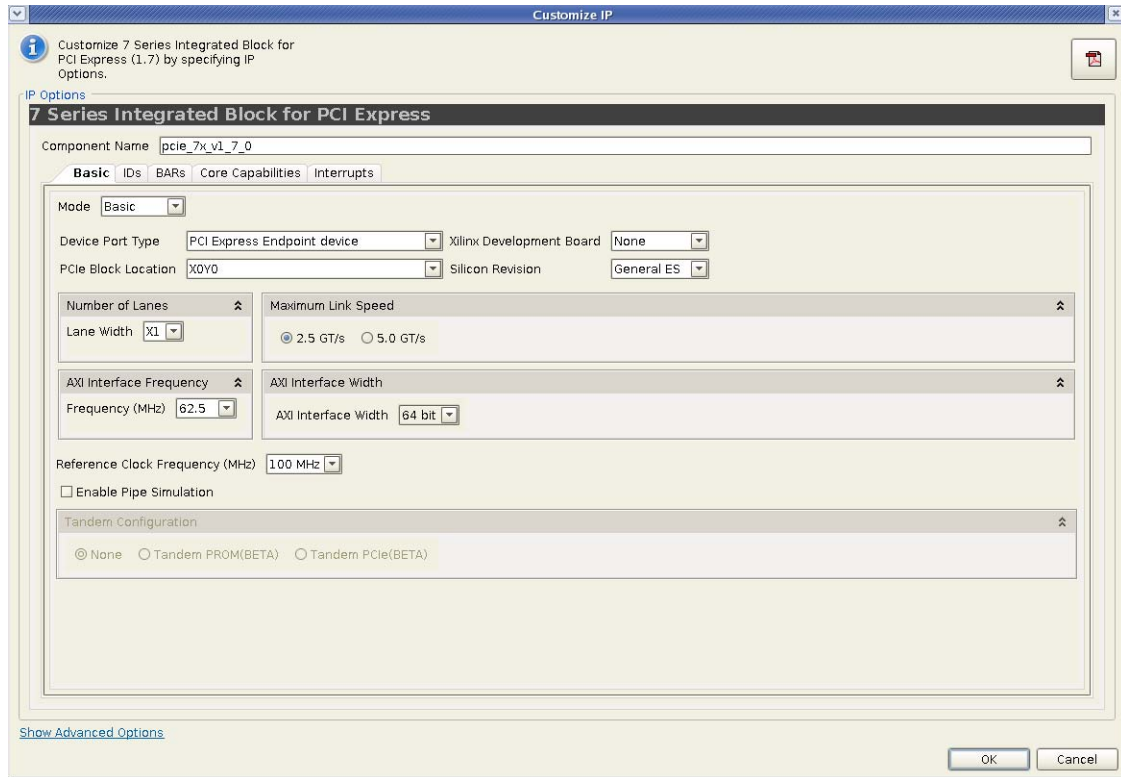


Figure 4-1: Basic Parameters

Component Name

Base name of the output files generated for the core. The name must begin with a letter and can be composed of these characters: a to z, 0 to 9, and "_."

Mode

Allows to select the Basic or Advanced mode of the configuration of the core.

PCIe Device / Port Type

Indicates the PCI Express logical device type.

PCIe Block Location Selection

Selects from the Integrated Blocks available to enable generation of location specific constraint files and pinouts. When options "X0Y0 & X0Y1" or "X0Y2 & X0Y3" are selected, constraints files for both Integrated Block locations are generated, and the constraints file for the X0Y0 or X0Y3 location is used.

This option is not available if a Xilinx Development Board is selected.

Xilinx Development Board

Selects the Xilinx Development Board to enable the generation of Xilinx Development Board specific constraints files.

Silicon Type

Selects the silicon type.

Number of Lanes

The 7 Series FPGAs Integrated Block for PCI Express requires the selection of the initial lane width. [Table 4-1](#) defines the available widths and associated generated core. Wider lane width cores are capable of training down to smaller lane widths if attached to a smaller lane-width device. See [Link Training: 2-Lane, 4-Lane, and 8-Lane Components, page 147](#) for more information.

Table 4-1: Lane Width and Product Generated

Lane Width	Product Generated
x1	1-Lane 7 Series FPGAs Integrated Block for PCI Express
x2	2-Lane 7 Series FPGAs Integrated Block for PCI Express
x4	4-Lane 7 Series FPGAs Integrated Block for PCI Express
x8	8-Lane 7 Series FPGAs Integrated Block for PCI Express

Maximum Link Speed

The 7 Series FPGAs Integrated Block for PCI Express allows the selection of Maximum Link Speed supported by the device. [Table 4-2](#) defines the lane widths and link speeds supported by the device. Higher link speed cores are capable of training to a lower link speed if connected to a lower link speed capable device.

Table 4-2: Lane Width and Link Speed

Lane Width	Link Speed
x1	2.5 Gb/s, 5 Gb/s
x2	2.5 Gb/s, 5 Gb/s
x4	2.5 Gb/s, 5 Gb/s
x8	2.5 Gb/s, 5 Gb/s

AXI Interface Width

The 7 Series FPGAs Integrated Block for PCI Express allows the selection of Interface Width, as defined in [Table 4-3](#). The default interface width set in the Vivado IP Catalog is the lowest possible interface width.

Table 4-3: Lane Width, Link Speed, and Interface Width

Lane Width	Link Speed (Gb/s)	Interface Width (Bits)
X1	2.5, 5.0	64
X2	2.5, 5.0	64
X4	2.5	64
X4	5.0	64, 128
X8	2.5	64, 128
X8	5.0	128

AXI Interface Frequency

It is possible to select the clock frequency of the core's user interface. Each lane width provides multiple frequency choices: a default frequency and alternative frequencies, as defined in Table 4-4.



RECOMMENDED: Where possible, use the default frequency.

Selecting the alternate frequencies does not result in a difference in throughput in the core, but does allow the user application to run at an alternate speed.

Table 4-4: Recommended and Optional Transaction Clock (user_clk_out) Frequencies

Product	Link Speed (Gb/s)	Interface Width ⁽¹⁾ (Bits)	Recommended Frequency (MHz)	Optional Frequency (MHz)
1-lane	2.5	64	62.5	31.25, 125, 250
1-lane	5	64	62.5	125, 250
2-lane	2.5	64	62.5	125, 250
2-lane	5	64	125	250
4-lane	2.5	64	125	250
4-lane	5	64	250	-
4-lane	5	128	125	250
8-lane	2.5	64	250	-
8-lane	2.5	128	125	250
8-lane	5	128	250	-

Notes:

1. Interface Width is a static selection and does not change with dynamic Link Speed changes

Reference Clock Frequency

Selects the frequency of the reference clock provided on sys_clk. For information about clocking the 7 Series FPGA Integrated Block for PCI Express, see [Clocking](#) and [Resets in Chapter 3](#).

Enable Pipe Simulation

When this option is selected, the core is generated and simulated with pipe interfaces connected.

Identifiers (IDs)

The IDs page shown in [Figure 4-2](#) is used to customize the IP initial values, class code, and Carbus CIS pointer information.

The screenshot shows the 'Customize IP' dialog box for the '7 Series Integrated Block for PCI Express'. The 'IDs' tab is active, displaying the following parameters:

- Component Name:** pcie_7x_v1_7_0
- ID Initial Values:**
 - Vendor ID: 10EE (Range: 0000..FFFF)
 - Device ID: 7011 (Range: 0000..FFFF)
 - Revision ID: 00 (Range: 00..FF)
 - Subsystem Vendor ID: 10EE (Range: 0000..FFFF)
 - Subsystem ID: 0007 (Range: 0000..FFFF)
- Class Code:**
 - Use Class Code Lookup Assistant
 - Base Class Menu: Simple communication controllers
 - Base Class: 05 (Range: 00..FF)
 - Sub-Class Interface Menu: Generic XT compatible serial controller
 - Sub-Class: 80 (Range: 00..FF)
 - Interface: 00 (Range: 00..FF)
 - Class Code (Hex): 058000
- Carbus CIS Pointer:** 00000000 (Range: 00000000..FFFFFFFF)

Buttons for 'OK' and 'Cancel' are visible at the bottom right. A link for 'Show Advanced Options' is at the bottom left.

Figure 4-2: Identifier Parameters

ID Initial Values

- **Vendor ID:** Identifies the manufacturer of the device or application. Valid identifiers are assigned by the PCI Special Interest Group to guarantee that each identifier is unique. The default value, 10EEh, is the Vendor ID for Xilinx. Enter a vendor identification number here. FFFFh is reserved.
- **Device ID:** A unique identifier for the application; the default value, which depends on the configuration selected, is 70<link speed> <link width>h. This field can be any value; change this value for the application.
- **Revision ID:** Indicates the revision of the device or application; an extension of the Device ID. The default value is 00h; enter values appropriate for the application.

- **Subsystem Vendor ID:** Further qualifies the manufacturer of the device or application. Enter a Subsystem Vendor ID here; the default value is 10EE. Typically, this value is the same as Vendor ID. Setting the value to 0000h can cause compliance testing issues.
- **Subsystem ID:** Further qualifies the manufacturer of the device or application. This value is typically the same as the Device ID; the default value depends on the lane width and link speed selected. Setting the value to 0000h can cause compliance testing issues.

Class Code

The Class Code identifies the general function of a device, and is divided into three byte-size fields:

- **Base Class:** Broadly identifies the type of function performed by the device.
- **Sub-Class:** More specifically identifies the device function.
- **Interface:** Defines a specific register-level programming interface, if any, allowing device-independent software to interface with the device.

Class code encoding can be found at www.pcisig.com.

Class Code Look-up Assistant

The Class Code Look-up Assistant provides the Base Class, Sub-Class and Interface values for a selected general function of a device. This Look-up Assistant tool only displays the three values for a selected function. The user must enter the values in [Class Code](#) for these values to be translated into device settings.

Cardbus CIS Pointer

Used in cardbus systems and points to the Card Information Structure for the cardbus card. If this field is non-zero, an appropriate Card Information Structure must exist in the correct location. The default value is 0000_0000h; the value range is 0000_0000h-FFFF_FFFFh.

Base Address Registers (BARs)

The Base Address Register (BAR) page shown in [Figure 4-3](#) sets the base address register space for the Endpoint configuration. Each BAR (0 through 5) represents a 32-bit parameter.

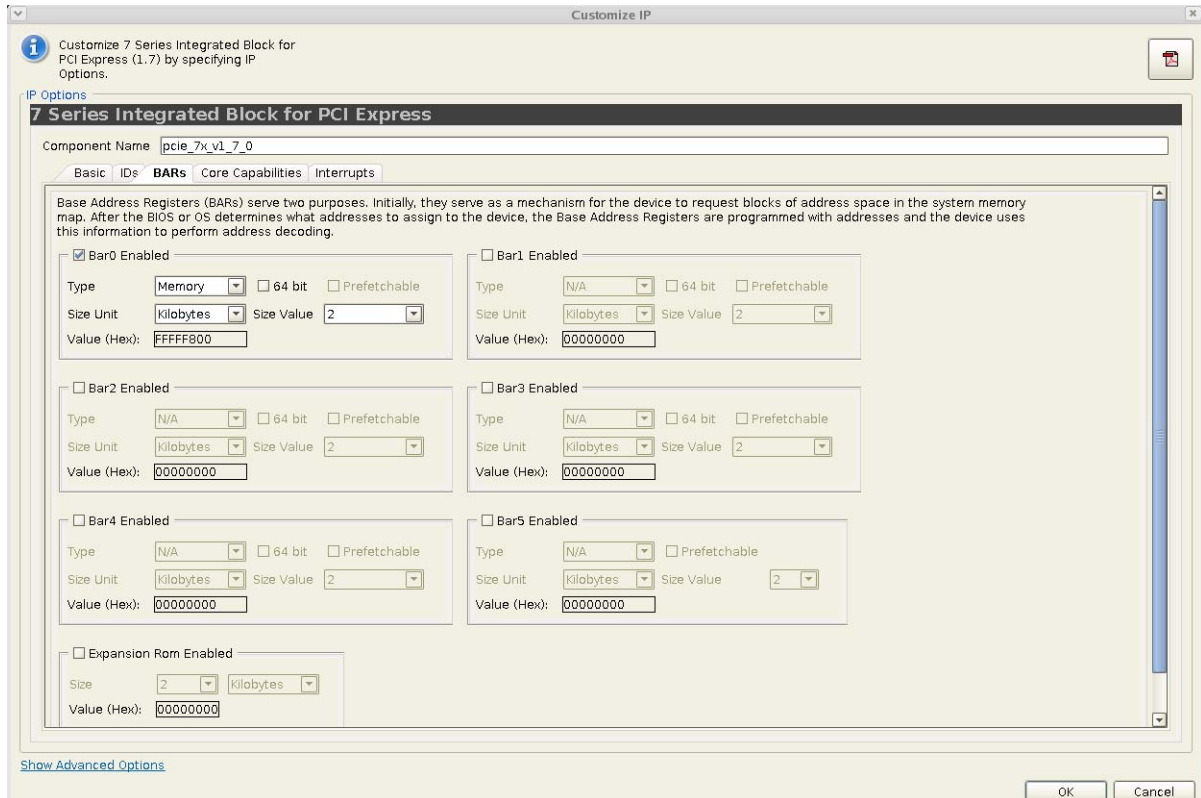


Figure 4-3: BAR Parameters

Base Address Enabled Register Overview

The 7 Series FPGAs Integrated Block for PCI Express in Endpoint configuration supports up to six 32-bit BARs or three 64-bit BARs, and the Expansion ROM BAR. The 7 Series FPGAs Integrated Block for PCI Express in Root Port configuration supports up to two 32-bit BARs or one 64-bit BAR, and the Expansion ROM BAR.

BARs can be one of two sizes:

- **32-bit BARs:** The address space can be as small as 16 bytes or as large as 2 gigabytes. Used for Memory to I/O.
- **64-bit BARs:** The address space can be as small as 128 bytes or as large as 8 exabytes. Used for Memory only.

All BAR registers share these options:

- **Checkbox:** Click the checkbox to enable the BAR; deselect the checkbox to disable the BAR.
- **Type:** BARs can either be I/O or Memory.
 - *I/O:* I/O BARs can only be 32-bit; the Prefetchable option does not apply to I/O BARs. I/O BARs are only enabled for the Legacy PCI Express Endpoint core.

- **Memory:** Memory BARs can be either 64-bit or 32-bit and can be prefetchable. When a BAR is set as 64 bits, it uses the next BAR for the extended address space and makes the next BAR inaccessible to the user.
- **Size:** The available Size range depends on the PCIe® Device/Port Type and the Type of BAR selected. [Table 4-5](#) lists the available BAR size ranges.

Table 4-5: BAR Size Ranges for Device Configuration

PCIe Device / Port Type	BAR Type	BAR Size Range
PCI Express Endpoint	32-bit Memory	128 Bytes – 2 Gigabytes
	64-bit Memory	128 Bytes – 8 Exabytes
Legacy PCI Express Endpoint	32-bit Memory	16 Bytes – 2 Gigabytes
	64-bit Memory	16 Bytes – 8 Exabytes
	I/O	16 Bytes – 2 Gigabytes

- **Prefetchable:** Identifies the ability of the memory space to be prefetched.
- **Value:** The value assigned to the BAR based on the current selections.

For more information about managing the Base Address Register settings, see [Managing Base Address Register Settings](#).

Expansion ROM Base Address Register

If selected, the Expansion ROM is activated and can be a value from 2 KB to 4 GB. According to the *PCI 3.0 Local Bus Specification* [Ref 2], the maximum size for the Expansion ROM BAR should be no larger than 16 MB. Selecting an address space larger than 16 MB might result in a non-compliant core.

Managing Base Address Register Settings

Memory, I/O, Type, and Prefetchable settings are handled by setting the appropriate GUI settings for the desired base address register.

Memory or I/O settings indicate whether the address space is defined as memory or I/O. The base address register only responds to commands that access the specified address space. Generally, memory spaces less than 4 KB in size should be avoided. The minimum I/O space allowed is 16 bytes; use of I/O space should be avoided in all new designs.

Prefetchability is the ability of memory space to be prefetched. A memory space is prefetchable if there are no side effects on reads (that is, data is not destroyed by reading, as from a RAM). Byte write operations can be merged into a single double word write, when applicable.

When configuring the core as an Endpoint for PCIe (non-Legacy), 64-bit addressing must be supported for all BARs (except BAR5) that have the prefetchable bit set. 32-bit addressing is permitted for all BARs that do not have the prefetchable bit set. The prefetchable bit

related requirement does not apply to a Legacy Endpoint. The minimum memory address range supported by a BAR is 128 bytes for a PCI Express Endpoint and 16 bytes for a Legacy PCI Express Endpoint.

Disabling Unused Resources

For best results, disable unused base address registers to conserve system resources. A base address register is disabled by deselecting unused BARs in the GUI.

Core Capabilities

The Core Capabilities parameters shown in Figure 4-4 is used to customize the IP initial values, class code, and Cardbus CIS pointer information.

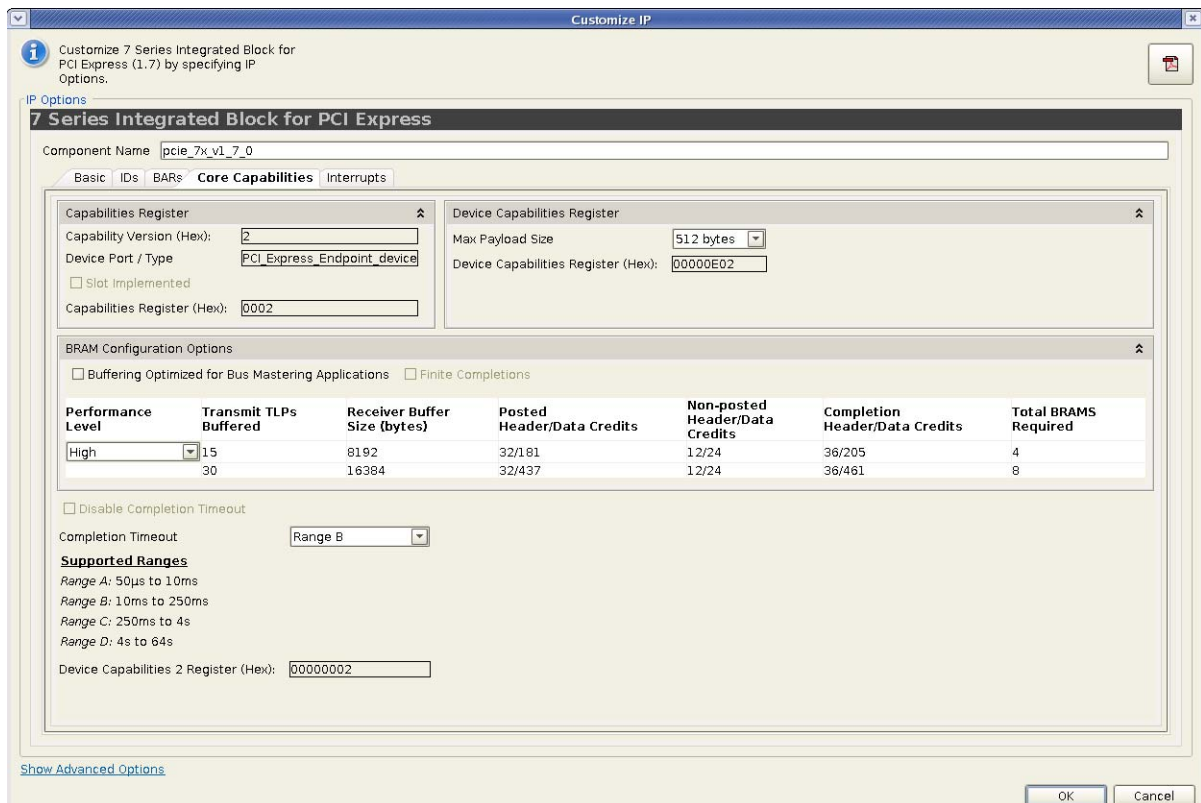


Figure 4-4: Core Capabilities Parameters

Capabilities Register

- **Capability Version:** Indicates the PCI-SIG® defined PCI Express capability structure version number; this value cannot be changed.
- **Device Port Type:** Indicates the PCI Express logical device type.

- **Slot Implemented:** Indicates the PCI Express Link associated with this port is connected to a slot. Only valid for a Root Port of a PCI Express Root Complex or a Downstream Port of a PCI Express Switch.
- **Capabilities Register:** Displays the value of the Capabilities register presented by the integrated block, and is not editable.

Device Capabilities Register

- **Max Payload Size:** Indicates the maximum payload size that the device/function can support for TLPs.
- **Device Capabilities Register:** Displays the value of the Device Capabilities register presented by the integrated block and is not editable.

Block RAM Configuration Options

- **Buffering Optimized for Bus Mastering Applications:** Causes the device to advertise to its Link Partner credit settings that are optimized for Bus Mastering applications.
- **Performance Level:** Selects the Performance Level settings, which determines the Receiver and Transmitter Sizes. The table displayed specifies the Receiver and Transmitter settings - number of TLPs buffered in the Transmitter, the Receiver Size, the Credits advertised by the Core to the Link Partner and the Number of Block RAMs required for the configuration, corresponding to the Max Payload Size selected, for each of the Performance Level options.
- **Finite Completions:** If selected, causes the device to advertise to the Link Partner the actual amount of space available for Completions in the Receiver. For an Endpoint, this is not compliant to the *PCI Express Base Specification, rev. 2.1*, as Endpoints are required to advertise an infinite amount of completion space.

Device Capabilities 2 Register

This section sets the Device Capabilities 2 register.

- **Completion Timeout Disable Supported:** Indicates support for Completion Timeout Disable mechanism
- **Completion Timeout Ranges Supported:** Indicates Device Function support for the optional Completion Timeout mechanism.



RECOMMENDED: *Do not let the Completion Timeout mechanism expire in less than 10 ms.*

- **Device Capabilities2 Register:** Displays the value of the Device Capabilities2 Register sent to the Core and is not editable.

Interrupts

The Interrupt parameters in [Figure 4-5](#) sets the Legacy Interrupt Settings, and MSI Capabilities.

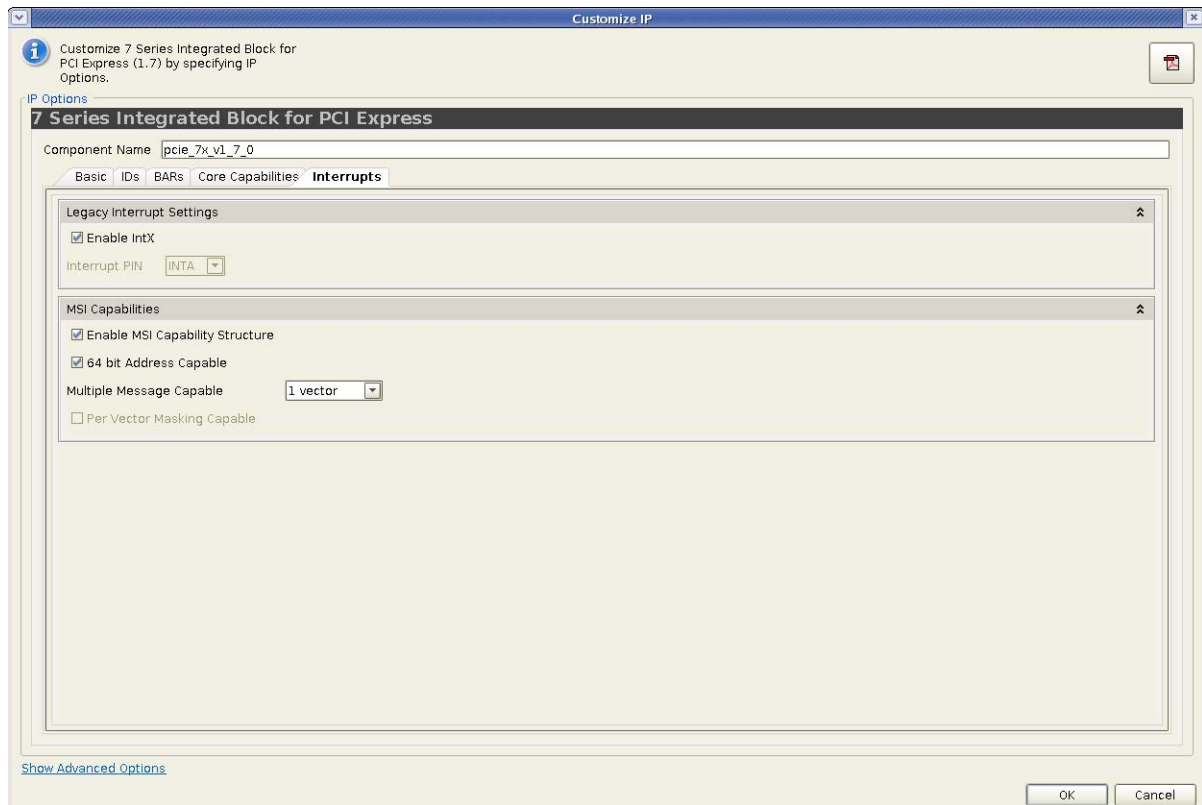


Figure 4-5: Interrupts Capabilities

Legacy Interrupt Settings

- **Enable INTX:** Enables the ability of the PCI Express function to generate INTx interrupts.
- **Interrupt PIN:** Indicates the mapping for Legacy Interrupt messages. A setting of “None” indicates no Legacy Interrupts are used.

Note: Only INT A is supported.

MSI Capabilities

- **Enable MSI Capability Structure:** Indicates that the MSI Capability structure exists.
- **64 bit Address Capable:** Indicates that the function is capable of sending a 64-bit Message Address.
- **Multiple Message Capable:** Selects the number of MSI vectors to request from the Root Complex.

- **Per Vector Masking Capable:** Indicates that the function supports MSI per-vector Masking.

Advanced Mode

In Advanced mode, consists of the following pages:

- [Basic](#)
- [Identifiers \(IDs\)](#)
- [Base Address Registers \(BARs\)](#)
- [Core Capabilities](#)
- [Link Registers](#)
- [Configuration Register \(Only in Root Port Configuration\)](#)
- [Interrupts](#)
- [Power Management](#)
- [Extended Capabilities](#)
- [Extended Capabilities 2](#)
- [TL Settings](#)
- [DL and PL Settings](#)

Basic

The Basic parameters for Advanced mode, shown in [Figure 4-6](#), is same as those for Basic mode with the addition of the PCIe DRP Ports parameter. For a description of the Basic mode parameters, see [Basic, page 217](#).

- **PCIe DRP Ports:** Checking this box enables the generation of DRP ports for the PCIe Hard Block, giving users dynamic control over the PCIe Hard Block attributes. This setting can be used to perform advanced debugging. Any modifications to the PCIe default attributes must be made only if directed by Xilinx Technical Support.

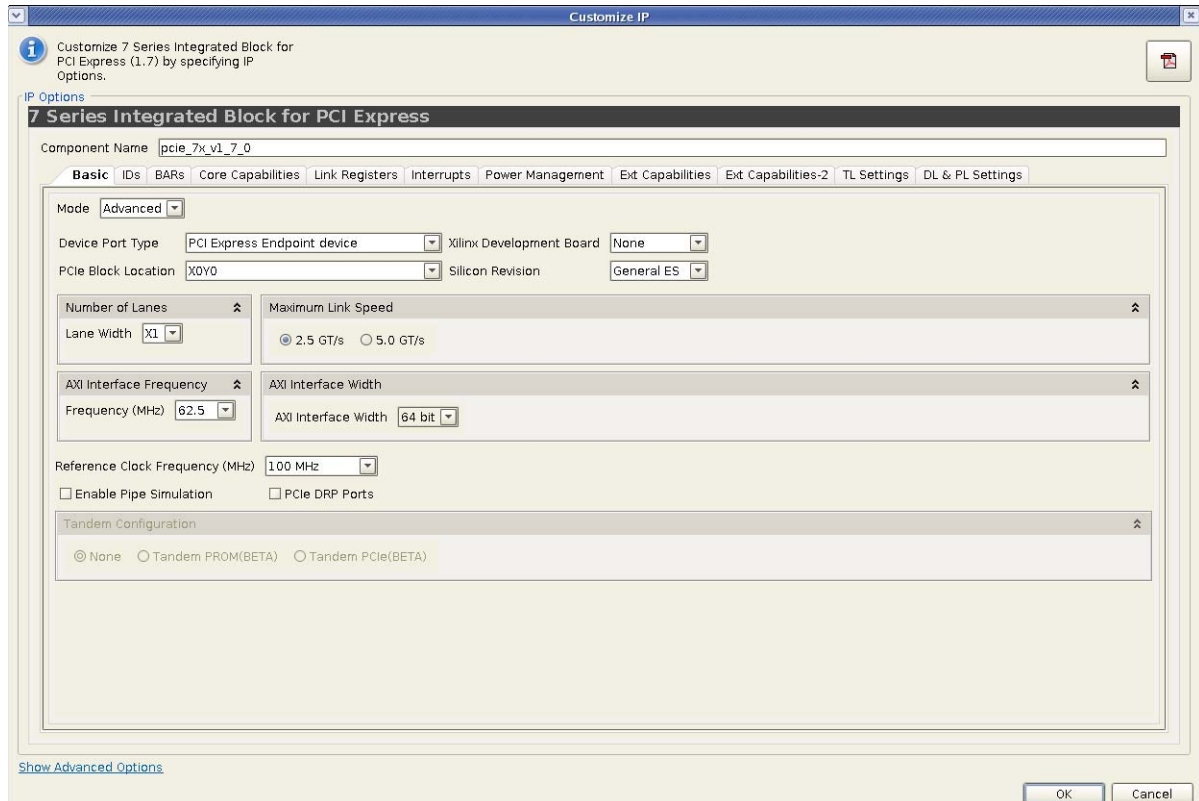


Figure 4-6: Basic Parameters (Advanced mode)

Identifiers (IDs)

The parameters for Advanced mode are the same as those for Basic mode. See [Identifiers \(IDs\), page 221](#).

Base Address Registers (BARs)

The parameters for Advanced mode are the same as those for Basic mode. See [Base Address Registers \(BARs\), page 222](#).

Core Capabilities

The Core Capabilities parameters in Advanced mode, shown in [Figure 4-7](#), are same as those in Basic mode, with the addition of the following parameters. For a description of the Basic mode parameters, see [Core Capabilities, page 229](#).

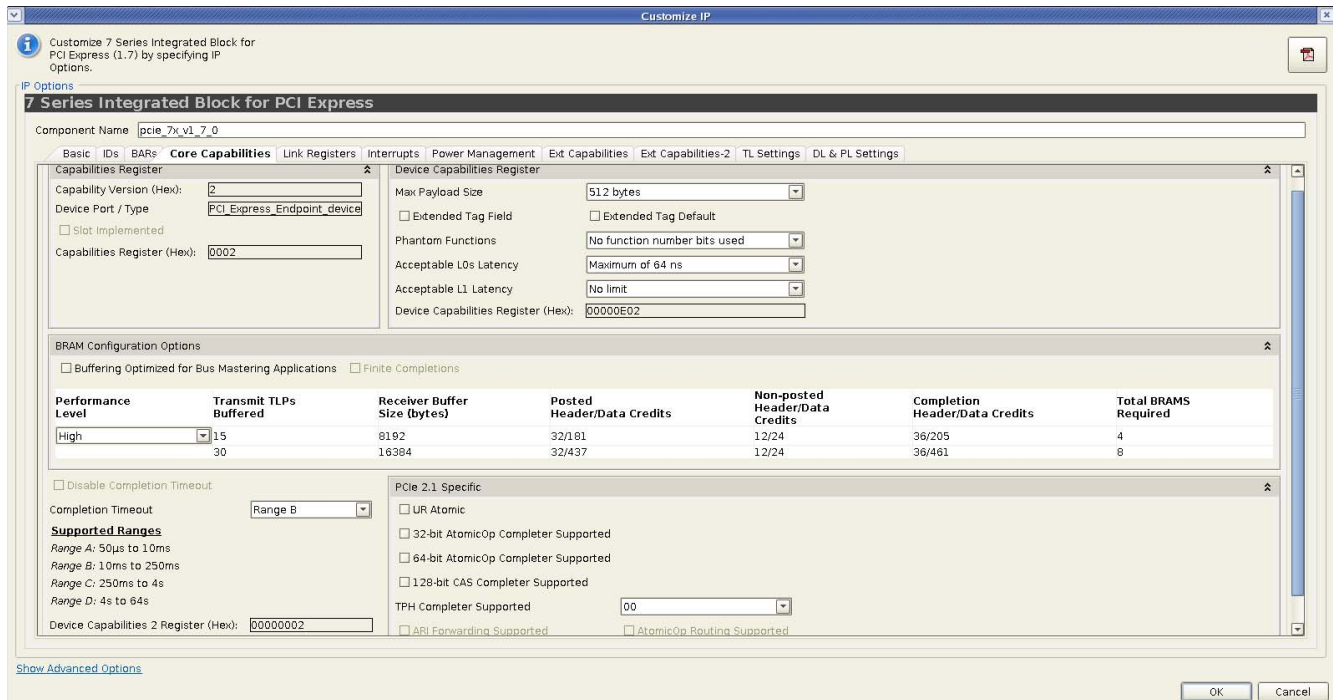


Figure 4-7: Core Capabilities (Advanced Mode)

Device Capabilities Register

- **Extended Tag Field:** Indicates the maximum supported size of the Tag field as a Requester. When selected, indicates 8-bit Tag field support. When deselected, indicates 5-bit Tag field support.
- **Extended Tag Default:** When this field is checked, indicates the default value of bit 8 of the Device Control register is set to 1 to support the Extended Tag Enable Default ECN.
- **Phantom Functions:** Indicates the support for use of unclaimed function numbers to extend the number of outstanding transactions allowed by logically combining unclaimed function numbers (called Phantom Functions) with the Tag identifier. See Section 2.2.6.2 of the *PCI Express Base Specification, rev. 2.1* [Ref 2] for a description of Tag Extensions. This field indicates the number of most significant bits of the function number portion of Requester ID that are logically combined with the Tag identifier.
- **Acceptable L0s Latency:** Indicates the acceptable total latency that an Endpoint can withstand due to the transition from L0s state to the L0 state.
- **Acceptable L1 Latency:** Indicates the acceptable latency that an Endpoint can withstand due to the transition from L1 state to the L0 state.

Device Capabilities Register

- **UR Atomic:** If checked, the core automatically responds to Atomic Operation requests with an Unsupported Request. If unchecked, the core passes Atomic Operations TLPs to the user.
- **32-bit AtomicOp Completer Support:** Indicates 32-bit AtomicOp Completer support.
- **64-bit AtomicOp Completer Support:** Indicates 64-bit AtomicOp Completer support.
- **128-bit CAS Completer Support:** Indicates 128-bit Compare And Swap completer support.
- **TPH Completer Supported:** Indicates the level of support for TPH completer.

Link Registers

The Link Registers page is available only when in Advanced mode.

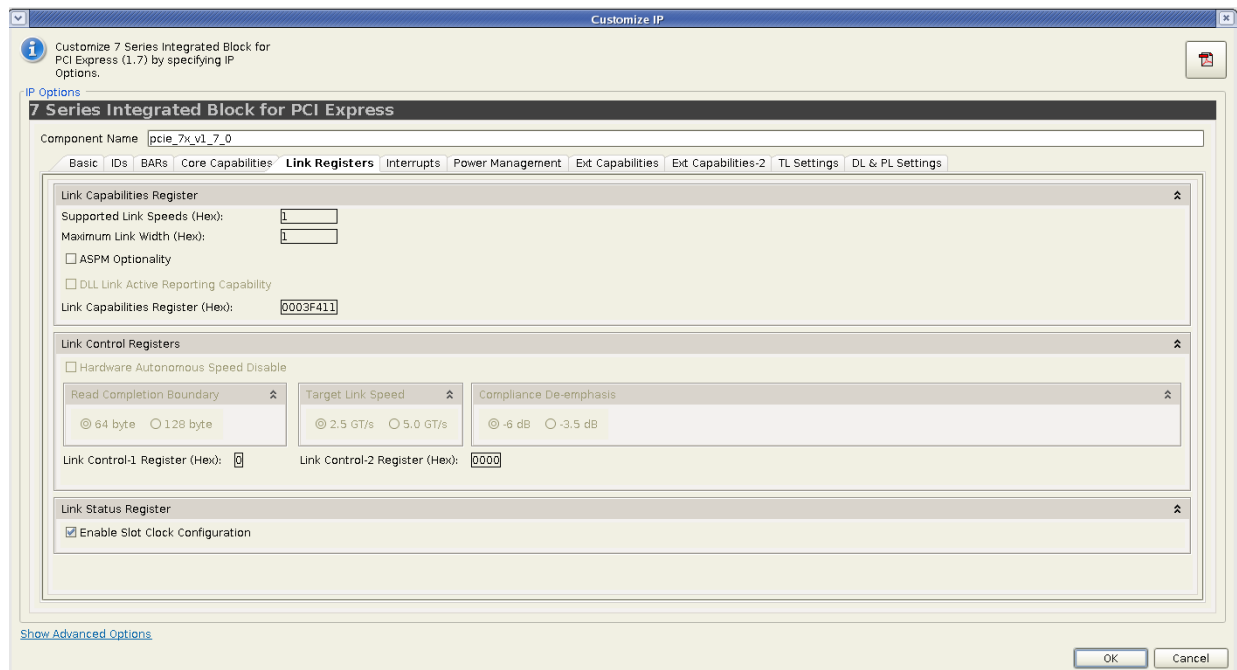


Figure 4-8: Link Registers (Advanced Mode)

Link Capabilities Register

This section sets the Link Capabilities register.

- **Supported Link Speed:** Indicates the supported link speed of the given PCI Express Link. This value is set to the Link Speed specified in the first GUI page and is not editable.

- **Maximum Link Width:** This value is set to the initial lane width specified in the first GUI page and is not editable.
- **ASPM Optionality:** When checked, this field enables ASPM optionally.
- **DLL Link Active Reporting Capability:** Indicates the optional Capability of reporting the DL_Active state of the Data Link Control and Management State Machine.
- **Link Capabilities Register:** Displays the value of the Link Capabilities register sent to the core and is not editable.

Link Control Register

- **Hardware Autonomous Speed Disable:** When checked, this field disables the hardware from changing the link speed for device specific reasons other than attempting to correct unreliable link operation by reducing link speed.
- **Read Completion Boundary:** Indicates the Read Completion Boundary for the Root Port.
- **Target Link Speed:** Sets an upper limit on the link operational speed. This is used to set the target Compliance Mode speed. The value is set to the supported link speed and can be edited only if the link speed is set to 5.0 Gb/s.
- **Compliance De-emphasis:** Sets the level of de-emphasis for an Upstream component, when the Link is operating at 5.0 Gb/s. This feature is not editable.
- **Link Control Register 1:** Displays the value of the Link Control Register sent to the core and is not editable.
- **Link Control Register 2:** Displays the value of the Link Control 2 Register sent to the core and is not editable.

Link Status Register

- **Enable Slot Clock Configuration:** Indicates that the Endpoint uses the platform-provided physical reference clock available on the connector. Must be cleared if the Endpoint uses an independent reference clock.

Configuration Register (Only in Root Port Configuration)

The Configuration Register pages is available only when Root Port configuration is selected, and when in Advanced mode.

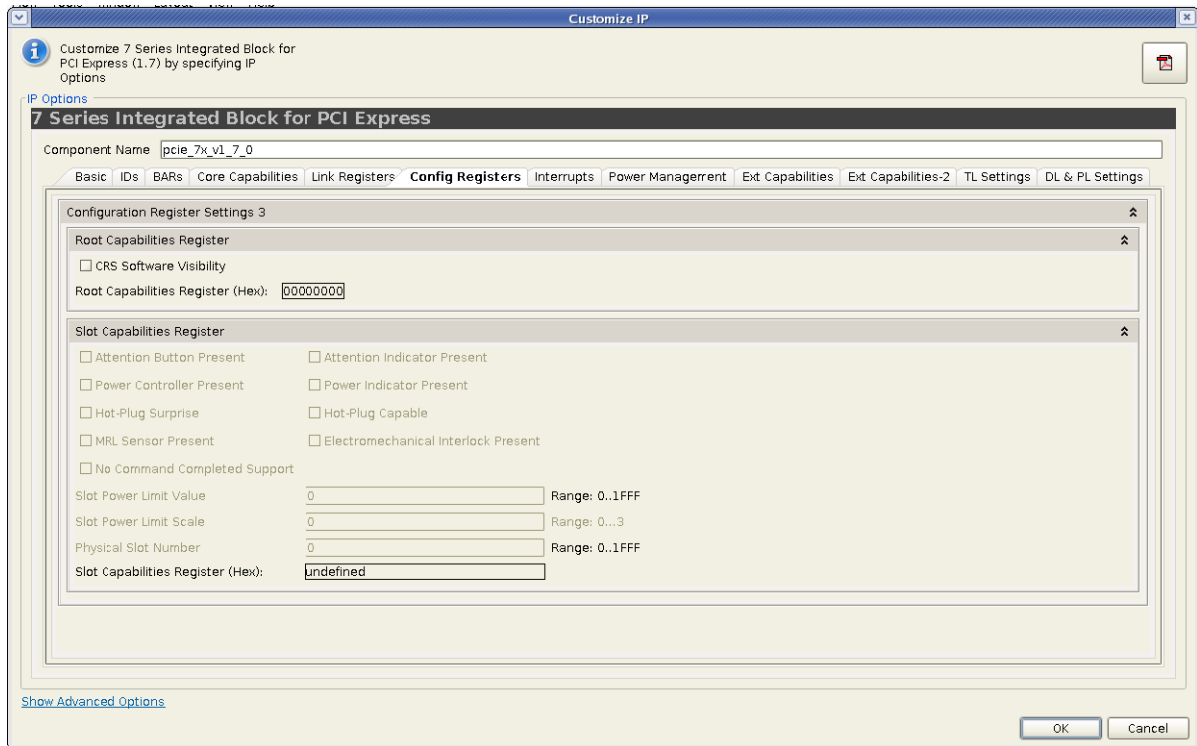


Figure 4-9: Config Register



IMPORTANT: These settings are valid for Root Port configurations only.

Root Capabilities Register

- **CRS Software Visibility:** Indicates the Root Port capability of returning the CRs to software. When set, indicates that the Root Port can return the Configuration Request Retry Status (CRS) completion status to software.
- **Root Capabilities Register:** Specifies the Root Capabilities Register of the device.

Slot Control Capabilities Register

- **Attention Button Present:** Indicates the Attention Button is implemented. When set, indicates that an Attention Button for this slot is implemented on the chassis. This option is disabled when "Device_Port_Type" is not "Root Port of PCI Express Root Complex." This is enabled only when is selected (see [Figure 4-4](#)).
- **Attention Indicator Present:** Indicates the Attention Indicator is implemented. When set, indicates that an Attention Indicator for this slot is implemented on the chassis. This option is disabled when "Device_Port_Type" is not "Root Port of PCI Express Root Complex." This is enabled only when is selected (see [Figure 4-4](#)).
- **Power Controller Present:** Indicates the Power Controller is implemented. When set, indicates that a software programmable Power Controller is implemented for this slot.

This option is disabled when "Device_Port_Type" is not "Root Port of PCI Express Root Complex." This is enabled only when is selected (see [Figure 4-4](#)).

- **Power Indicator Present:** Indicates the Power Indicator is implemented. When set, indicates that a Power Indicator is implemented on the chassis for this slot. This option is disabled when "Device_Port_Type" is not "Root Port of PCI Express Root Complex." This is enabled only when is selected (see [Figure 4-4](#)).
- **Hot-Plug Surprise:** When set, indicates that an adapter in this slot might be removed from the system without any prior notification. This option is disabled when "Device_Port_Type" is not "Root Port of PCI Express Root Complex." This is enabled only when is selected (see [Figure 4-4](#)).
- **Hot-Plug Capable:** When set, indicates that this slot is capable of supporting hot-plug operations. This option is disabled when "Device_Port_Type" is not "Root Port of PCI Express Root Complex." This is enabled only when is selected (see [Figure 4-4](#)).
- **MRL Sensor Present:** Indicates MRL Sensor implemented. When Set, indicates that an MRL (Manually operated Retention Latch) sensor is implemented for this slot, on the chassis. This option is disabled when "Device_Port_Type" is not "Root Port of PCI Express Root Complex." This is enabled only when is selected (see [Figure 4-4](#)).
- **Electromechanical Interlock Present:** When set, indicates that an Electromechanical Interlock is implemented on the chassis for this slot. This option is disabled when "Device_Port_Type" is not "Root Port of PCI Express Root Complex." This is enabled only when is selected (see [Figure 4-4](#)).
- **No Command Completed Support:** When set, indicates that the slot does not generate software notification when an issue command is completed by the Hot-Plug Controller. This option is disabled when "Device_Port_Type" is not "Root Port of PCI Express Root Complex." This is enabled only when is selected (see [Figure 4-4](#)).
- **Slot Power Limit Value:** Specifies the Upper Limit on power supplied to the slot, in combination with Slot Power Limit Scale value. . This option is disabled when "Device_Port_Type" is not "Root Port of PCI Express Root Complex." This is enabled only when the is selected (see [Figure 4-4](#)).
- **Slot Power Limit Scale:** Specifies the scale used for the Slot Power Limit value. This option is disabled when "Device_Port_Type" is not "Root Port of PCI Express Root Complex." This is enabled only when is selected (see [Figure 4-4](#)).
- **Physical Slot Number:** Specifies the Physical Slot Number attached to this port. This field must be hardware initialized to a value that assigns a slot number that is unique within the chassis, regardless of form factor associated with the slot. This option is disabled when "Device_Port_Type" is not "Root Port of PCI Express Root Complex." This is enabled only when is selected (see [Figure 4-4](#)).
- **Slot Capabilities Register.** Specifies the Slot Capabilities Register of the device.

Interrupts

The Interrupts parameters in Advanced mode are the same as those in Basic mode, with the addition of MSIx Capabilities. For a description of the Basic mode parameters, see [Interrupts, page 227](#).

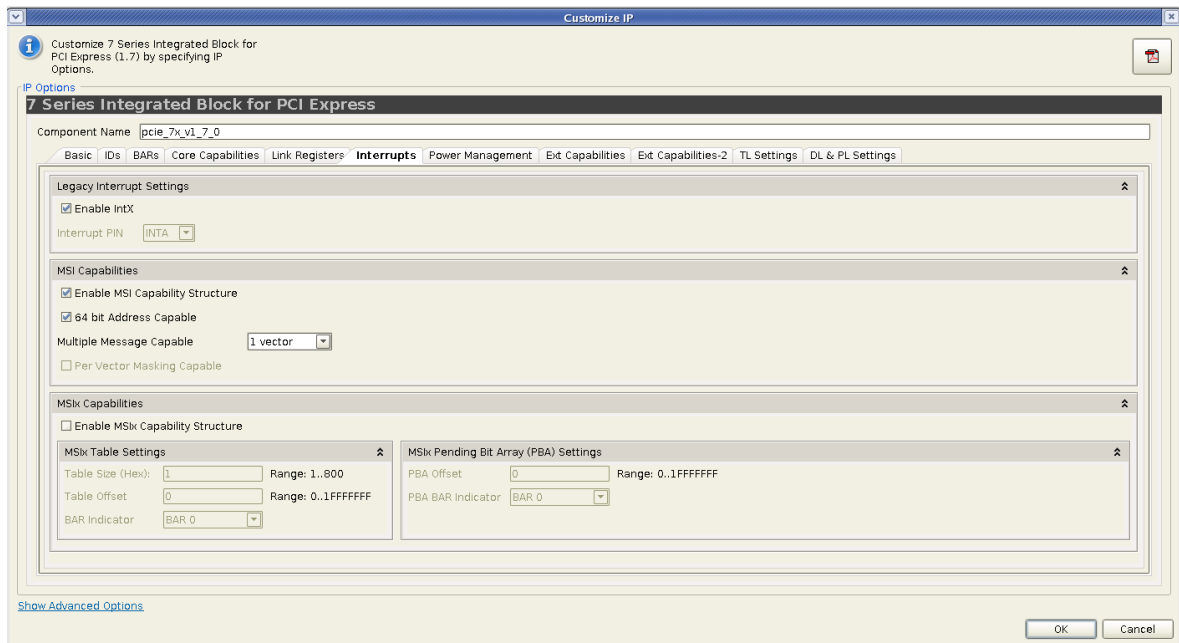


Figure 4-10: Interrupts Parameters (Advanced Mode)

MSI-X Capabilities

- **Enable MSIx Capability Structure:** Indicates that the MSI-X Capability structure exists.
 - Note:** This Capability Structure needs at least one Memory BAR to be configured.
- **MSIx Table Settings:** Defines the MSI-X Table Structure.
 - *Table Size:* Specifies the MSI-X Table Size.
 - *Table Offset:* Specifies the Offset from the Base Address Register that points to the Base of the MSI-X Table.
 - *BAR Indicator:* Indicates the Base Address Register in the Configuration Space that is used to map the function's MSI-X Table, onto Memory Space. For a 64-bit Base Address Register, this indicates the lower DWORD.
- **MSIx Pending Bit Array (PBA) Settings:** Defines the MSI-X Pending Bit Array (PBA) Structure.
 - *PBA Offset:* Specifies the Offset from the Base Address Register that points to the Base of the MSI-X PBA.

- **PBA BAR Indicator:** Indicates the Base Address Register in the Configuration Space that is used to map the function’s MSI-X PBA, onto Memory Space.

Power Management

The Power Management Registers page shown in Figure 4-11 includes settings for the Power Management Registers, power consumption and power dissipation options.

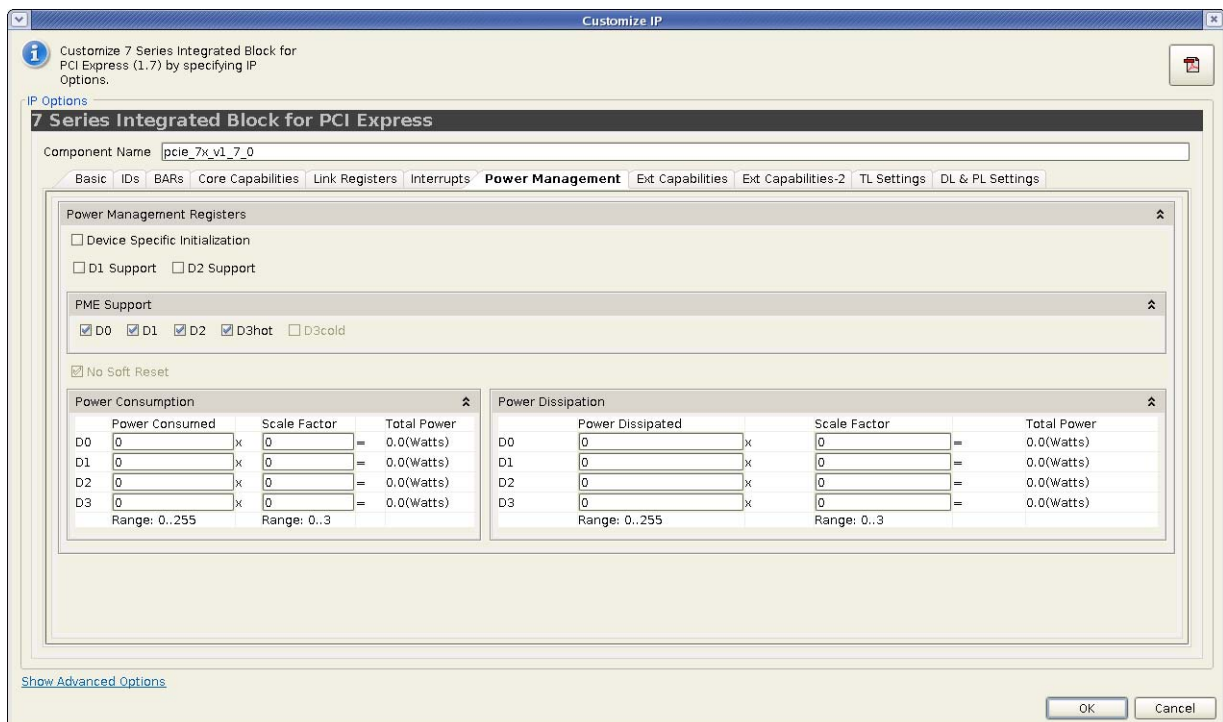


Figure 4-11: Power Management Registers

- **Device Specific Initialization:** This bit indicates whether special initialization of this function is required (beyond the standard PCI configuration header) before the generic class device driver is able to use it. When selected, this option indicates that the function requires a device specific initialization sequence following transition to the D0 uninitialized state. See section 3.2.3 of the *PCI Bus Power Management Interface Specification Revision 1.2* [Ref 2].
- **D1 Support:** When selected, this option indicates that the function supports the D1 Power Management State. See section 3.2.3 of the *PCI Bus Power Management Interface Specification Revision 1.2*.
- **D2 Support:** When selected, this option indicates that the function supports the D2 Power Management State. See section 3.2.3 of the *PCI Bus Power Management Interface Specification Revision 1.2*.

- **PME Support From:** When this option is selected, it indicates the power states in which the function can assert `cfg_pm_wake`. See section 3.2.3 of the *PCI Bus Power Management Interface Specification Revision 1.2*.
- **No Soft Reset:** Checking this box indicates that if the device transitions from D3hot to D0 because of a Power State Command, it does not perform an internal reset and Configuration context is preserved. Disabling this option is not supported.

Power Consumption

The 7 Series FPGAs Integrated Block for PCI Express always reports a power budget of 0W. For information about power consumption, see section 3.2.6 of the *PCI Bus Power Management Interface Specification Revision 1.2*.

Power Dissipated

The 7 Series FPGAs Integrated Block for PCI Express always reports a power dissipation of 0W. For information about power dissipation, see section 3.2.6 of the *PCI Bus Power Management Interface Specification Revision 1.2*.

Extended Capabilities

The PCIe Extended Capabilities page shown in [Figure 4-12](#) is available in Advanced mode only, and includes settings for Device Serial Number Capability, Virtual Channel Capability, Vendor Specific Capability, and optional user-defined Configuration capabilities.

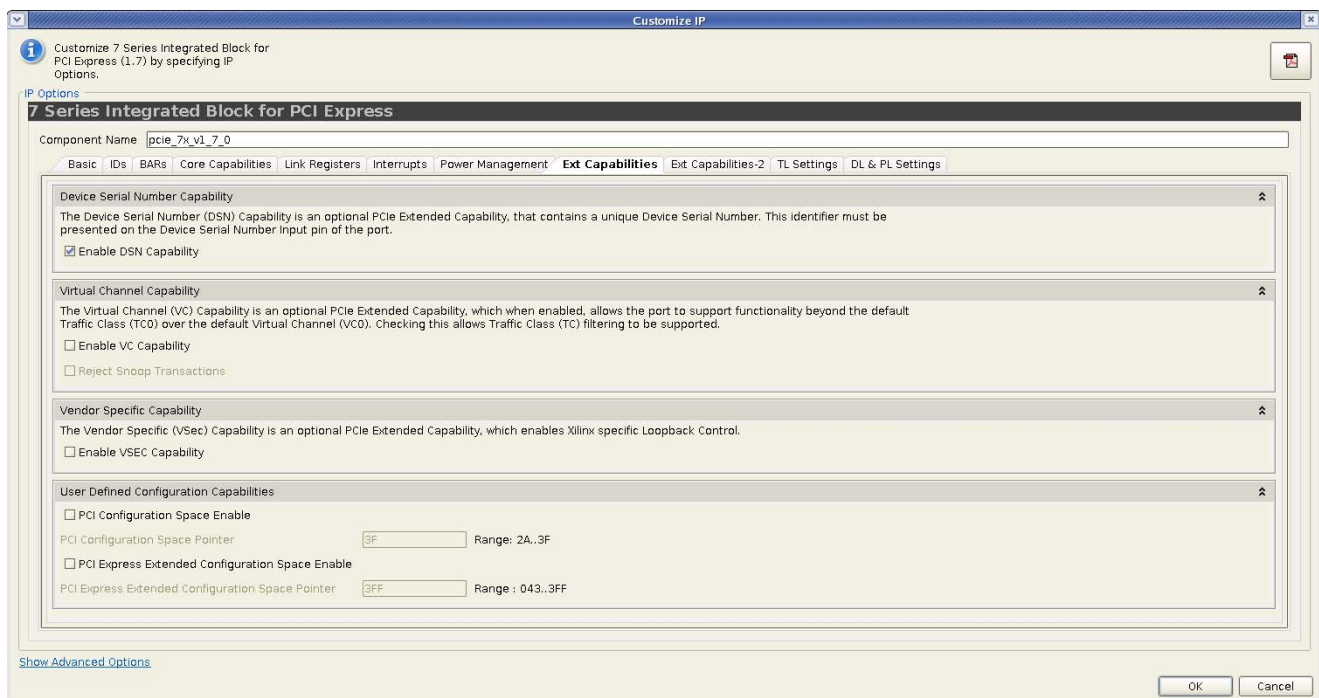


Figure 4-12: PCIe Extended Capabilities

Device Serial Number Capability

- **Device Serial Number Capability:** An optional PCIe Extended Capability containing a unique Device Serial Number. When this Capability is enabled, the DSN identifier must be presented on the Device Serial Number input pin of the port. This Capability must be turned on to enable the Virtual Channel and Vendor Specific Capabilities

Virtual Channel Capability

- **Virtual Channel Capability:** An optional PCIe Extended Capability which allows the user application to be operated in TCn/VC0 mode. Checking this allows Traffic Class filtering to be supported.
- **Reject Snoop Transactions (Root Port Configuration Only):** When enabled, any transactions for which the No Snoop attribute is applicable, but is not set in the TLP header, can be rejected as an Unsupported Request.

Vendor Specific Capability

- **Vendor Specific Capability:** An optional PCIe Extended Capability that allows PCI Express component vendors to expose Vendor Specific Registers. When checked, enables Xilinx specific Loopback Control.

User-Defined Configuration Capabilities: Endpoint Configuration Only

- **PCI Configuration Space Enable:** Allows the user application to add/implement PCI Legacy capability registers. This option should be selected if the user application implements a legacy capability configuration space. This option enables the routing of Configuration Requests to addresses outside the built-in PCI-Compatible Configuration Space address range to the AXI4-Stream interface.
- **PCI Configuration Space Pointer:** Sets the starting Dword aligned address of the user definable PCI Compatible Configuration Space. The available DWORD address range is 2Ah - 3Fh.
- **PCI Express Extended Configuration Space Enable:** Allows the user application to add/implement PCI Express Extended capability registers. This option should be selected if the user application implements such an extended capability configuration space. This enables the routing of Configuration Requests to addresses outside the built-in PCI Express Extended Configuration Space address range to the User Application.
- **PCI Configuration Space Pointer:** Sets the starting DWORD aligned address of the PCI Express Extended Configuration Space implemented by the user application. This action enables routing of Configuration Requests with DWORD addresses greater than or equal to the value set in the user application. The available address range depends on the PCIe Extended Capabilities selected. For more information, see [Chapter 3, Designing with the Core](#).

Extended Capabilities 2

The Extended Capabilities 2 page is available only when in Advanced mode.

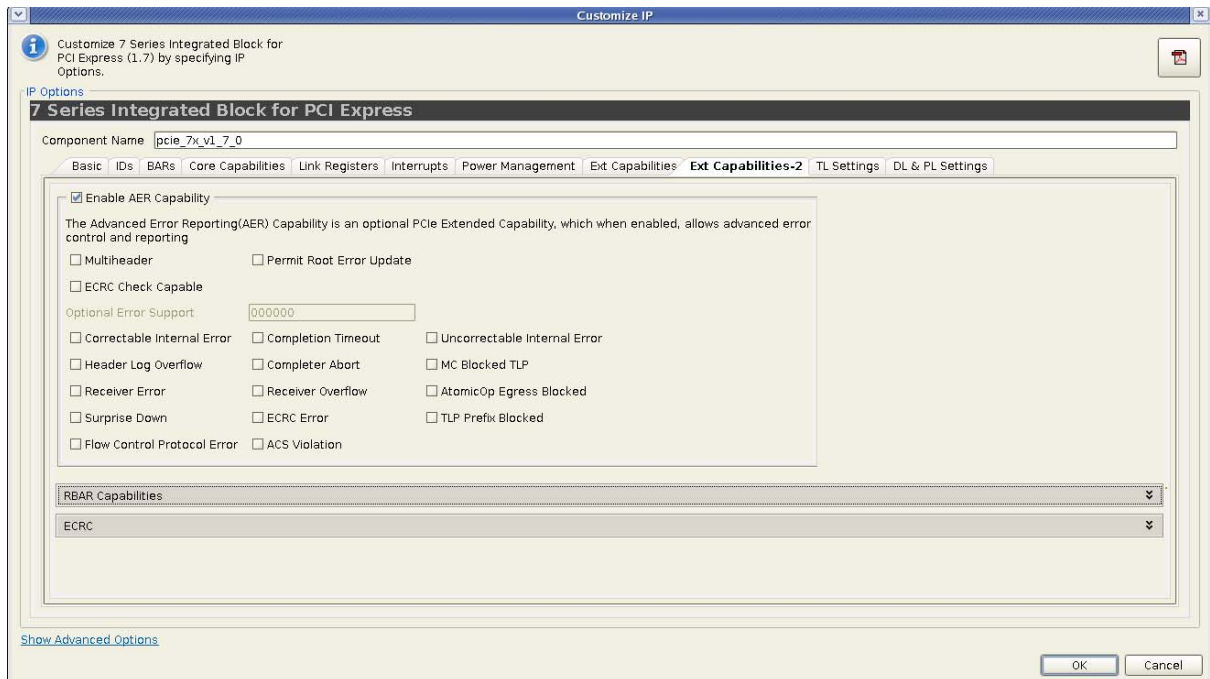
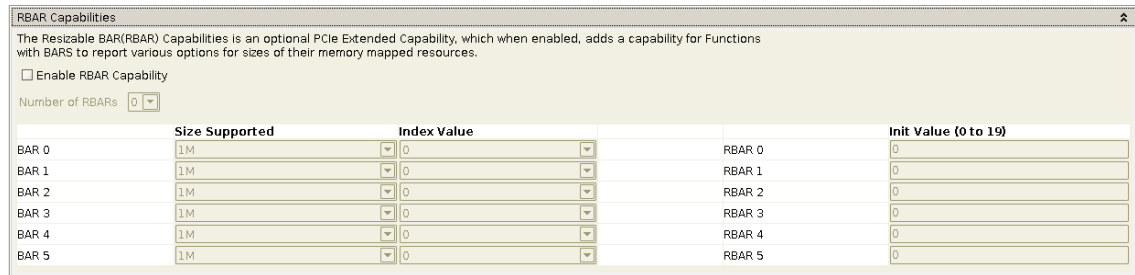


Figure 4-13: PCIe Extended Capabilities: AER Capability

AER Capability

- **Enable AER Capability:** An optional PCIe Extended Capability that allows Advanced Error Reporting.
- **Multiheader:** Indicates support for multiple-header buffering for the AER header log field. (Not supported for the 7 Series FPGAs Integrated Block for PCI Express.)
- **Permit Root Error Update:** If TRUE, permits the AER Root Status and Error Source ID registers to be updated. If FALSE, these registers are forced to 0.
- **ECRC Check Capable:** Indicates the core can check ECRC.
- **Optional Error Support:** Indicates which option error conditions in the Uncorrectable and Correctable Error Mask/Severity registers are supported. If an error box is unchecked, the corresponding bit in the Mask/Severity register is hardwired to 0.



BAR	Size Supported	Index Value	RBAR	Init Value (0 to 19)
BAR 0	1M	0	RBAR 0	0
BAR 1	1M	0	RBAR 1	0
BAR 2	1M	0	RBAR 2	0
BAR 3	1M	0	RBAR 3	0
BAR 4	1M	0	RBAR 4	0
BAR 5	1M	0	RBAR 5	0

Figure 4-14: PCIe Extended Capabilities: RBAR Capabilities

RBAR Capabilities

- **Enable RBAR Capability:** An optional PCIe Extended Capability that allows Resizable BARs.
- **Number of RBARs:** Number of resizable BARs in the Cap Structure, which depends on the number of BARs enabled.
- **BARn Size Supported:** RBAR Size Supported vector for RBAR Capability Register (0 through 5)
- **BARn Index Value:** Sets the index of the resizable BAR from among the enabled BARs
- **RBARn Init Value:** RBAR Initial Value for the RBAR Control BAR Size field.

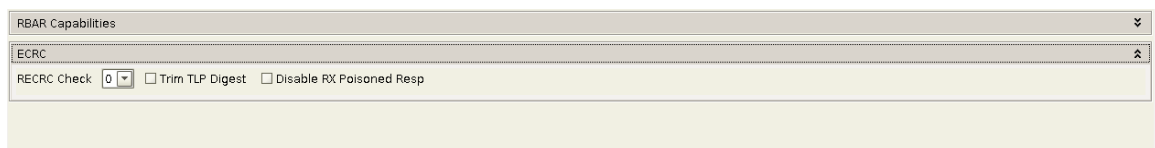


Figure 4-15: PCIe Extended Capabilities: ECRC

ECRC

- **Receive ECRC Check:** Enables ECRC checking of received TLPs.
 - 0 = Do not check
 - 1 = Always check
 - 3 = Check if enabled by the ECRC check enable bit of the AER Capability Structure
- **Trim TLP Digest:** Enables TD bit clear and ECRC trim on received TLPs.
- **Disable RX Poisoned Resp:** Disables the core from sending a message and setting status bits due to receiving a Poisoned TLP. The behavior of the core when the Disable RX poisoned Resp is checked is as follows.
 - When Advisory Non-Fatal Error Mask: 1 (default). When the core Receives a poisoned CfgWr, it sets Parity Error and sends completion with UR. When it receives poisoned MemWr, it sets the Parity error and no TLP is sent.

- **Advisory Non-Fatal Error Mask: 0.** When DISABLE_RX_POISONED_RESP is set to FALSE and a poisoned MemWr is received, the core sends an error message automatically. When DISABLE_RX_POISONED_RESP is set to TRUE and a poisoned MemWr is received, an error message is not transmitted. When you assert `cfg_err_poisoned`, the core sends the error message.

TL Settings

The Transaction Layer (TL) Settings page is available only when in Advanced mode.

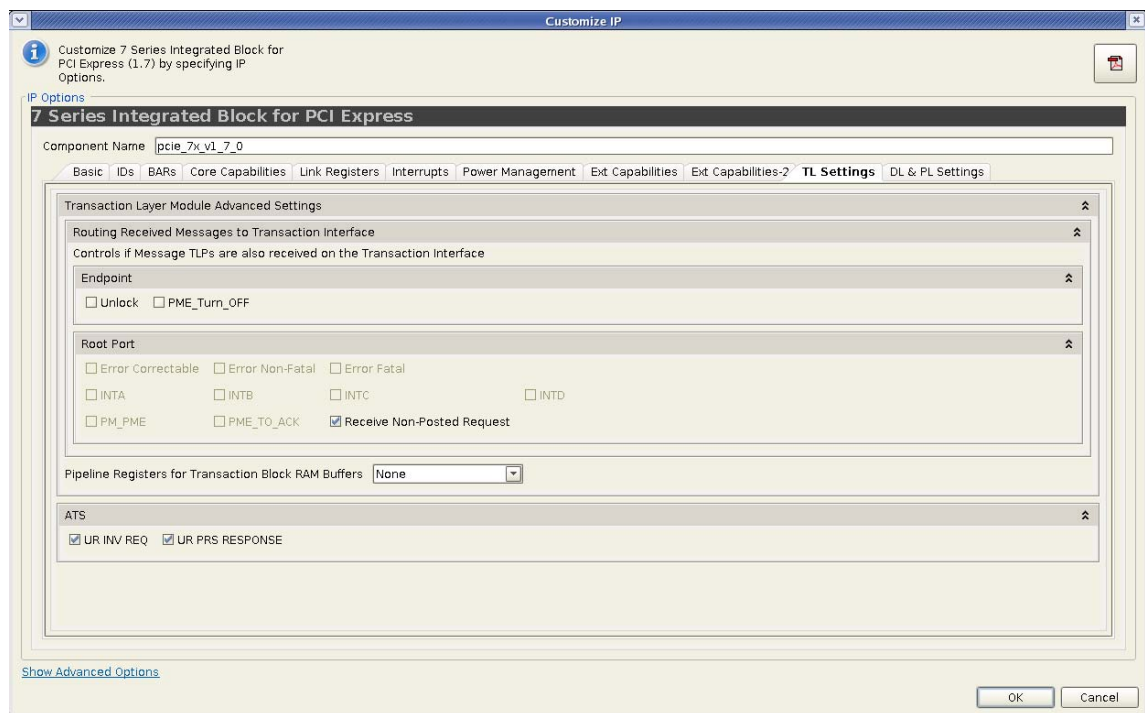


Figure 4-16: TL Settings

Transaction Layer Module

- **Enable Message Routing:** Controls if message TLPs are also received on the AXI4-Stream interface.
- **Endpoint:**
 - Unlock and PME_Turn_Off Messages
- **Root Port:**
 - Error Messages - Error Correctable, Error Non-Fatal, Error Fatal
 - Assert/Deassert INT Messages - INTA, INTB, INTC, INTD
 - Power Management Messages - PM_PME, PME_TO_ACK
- **Receive Non-Posted Request (Non-Posted Flow Control)**

- The rx_np_req signal prevents the user application from buffering Non-Posted TLPs. When rx_np_req is asserted, one Non-Posted TLP is requested from the integrated block. This signal cannot be used in conjunction with rx_np_ok. Every time that rx_np_req is asserted, one TLP is presented on the receive interface; whereas, every time that rx_np_ok is deasserted, the user application needs to buffer up to two additional Non-Posted TLPs.
- **Pipeline Registers for Transaction Block RAM Buffers:** Selects the Pipeline registers enabled for the Transaction Buffers. Pipeline registers can be enabled on either the Write path or both the Read and Write paths of the Transaction Block RAM buffers.
- **ATS**
 - **UR_INV_REQ:** When this box is checked, the core handles received ATS Invalidate request messages as unsupported requests. When this box is unchecked, the core passes received ATS Invalidate request messages to the user.
 - **UR_PRS_RESPONSE:** When this box is checked, the core handles received ATS Page Request Group Response messages as unsupported requests. When this box is unchecked, the core passes received ATS PRG Response messages to the user.

DL and PL Settings

The DL and PL Settings page is available only when in Advanced mode.

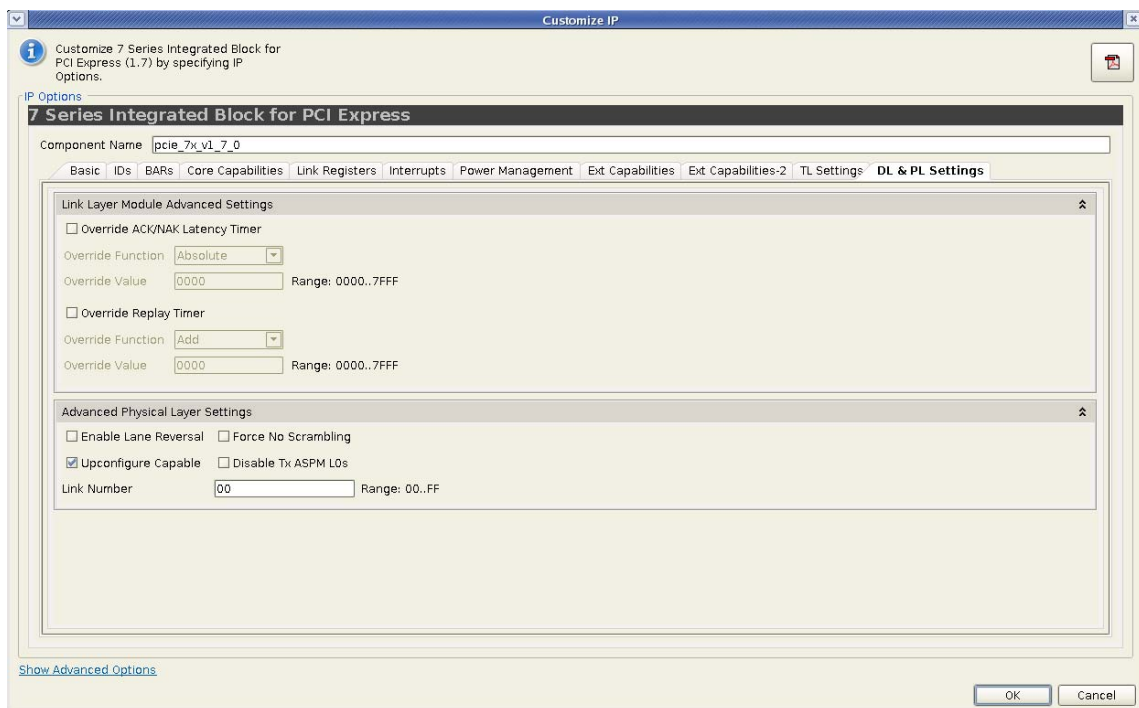


Figure 4-17: DL and PL Settings

Link Layer Module

- **Override ACK/NAK Latency Timer:** Checking this box enables the user to override the ACK/NAK latency timer values set in the device. Use of this feature could cause the ACK timeout values to be non-compliant to the *PCI Express Base Specification, rev. 2.1* [Ref 2]. This setting can be used to perform advanced debugging operations. Any modifications to default attributes must be made only if directed by Xilinx Technical Support.
- **ACK Latency Timer Override Function:** This setting determines how the override value is used by the device with respect to the ACK/NAK Latency Timer Value in the device. Options are "Absolute", "Add", and "Subtract". The first two settings could cause the ACK timeout values to be non-compliant with the *PCI Express Base Specification, rev. 2.1*.
- **ACK Latency Timer Override Value:** This setting determines the ACK/NAK latency timer value used by the device depending on if the ACK Latency Timer Override Function enabled. The built-in table value depends on the Negotiated Link Width and Programmed MPS of the device.
- **Override Replay Timer:** Checking this box enables the user to override the replay timer values set in the device. Use of this feature could cause the replay timeout values to be non-compliant to the *PCI Express Base Specification, rev. 2.1*. This setting can be used to perform advanced debugging operations. Any modifications to default attributes must be made only if directed by Xilinx Technical Support.
- **Replay Timer Override Function:** This setting determines how the override value is used by the device with respect to the replay timer value in the device. Options are "Absolute", "Add", and "Subtract". The first two settings could cause the replay timeout values to be non-compliant with the *PCI Express Base Specification, rev. 2.1*.
- **Replay Timer Override Value:** This setting determines the replay timer value used by the device depending on if the Replay Timer Override Function enabled. The built-in table value depends on the Negotiated Link Width and Programmed MPS of the device. The user must ensure that the final timeout value does not overflow the 15-bit timeout value.

Advanced Physical Layer

- **Enable Lane Reversal:** When checked, enables the Lane Reversal feature.
- **Force No Scrambling:** Used for diagnostic purposes only and should never be enabled in a working design. Setting this bit results in the data scramblers being turned off so that the serial data stream can be analyzed.
- **Upconfigure Capable:** When unchecked, the port is advertised as "Not Upconfigure Capable" during Link Training.
- **Disable TX ASPM L0s:** When checked, prevents the device transmitter from entering the L0s state.



RECOMMENDED: *Disable TX ASPM L0s for a link that interconnects a 7 series FPGA to any Xilinx component.*

- **Link Number:** Specifies the link number advertised by the device in TS1 and TS2 ordered sets during Link training. Used in downstream facing mode only.

Output Generation

Endpoint Configuration

This section shows the directory structure for the generated core's Endpoint configuration. See [Chapter 6, Getting Started Example Design](#) for descriptions of the contents of each directory.

```

<project_directory>
├── <project_directory>.srcs
│   ├── sources_1
│   │   └── ip
│   │       ├── component_name_#
│   │       │   ├── component_name_#
│   │       │   │   ├── example_design
│   │       │   │   ├── <component_name_#>/<component_name_#>/simulation
│   │       │   │   │   ├── simulation/dsport
│   │       │   │   │   ├── simulation/functional
│   │       │   │   │   └── simulation/tests
│   │       │   └── <component_name_#>/<component_name_#>/source
│   │       ├── <component_name_#>/sim
│   │       ├── <component_name_#>/synth
│   │       └── <component_name_#>/source

```

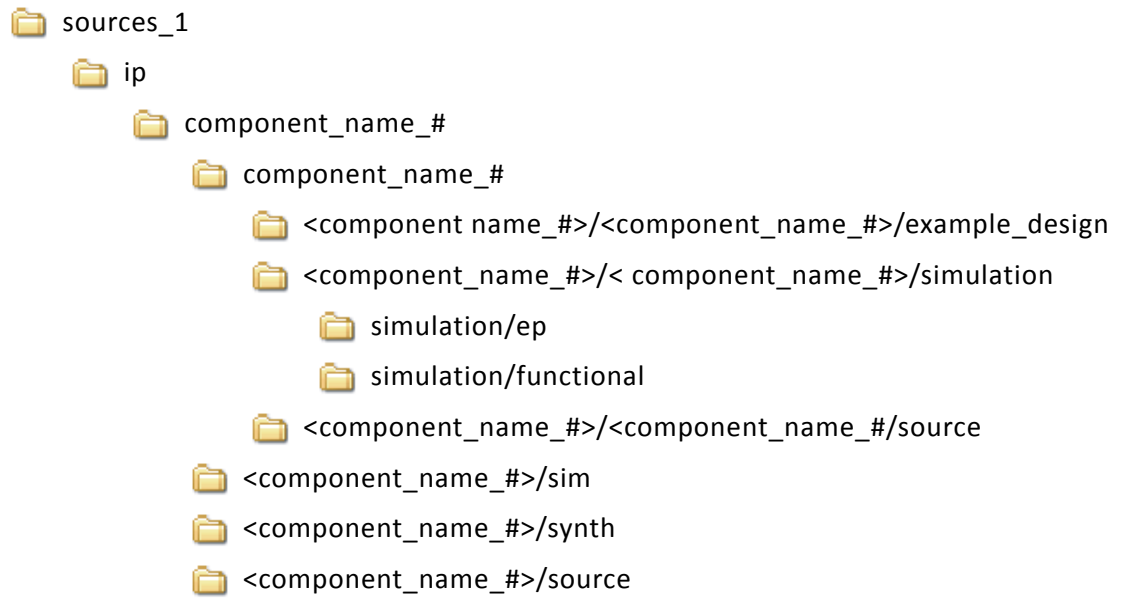
Root Port Configuration

This section shows the directory structure for the generated core's Root Port configuration. See [Chapter 6, Getting Started Example Design](#) for descriptions of the contents of each directory.

```

<project_directory>
├── <project_directory>.srcs/

```



Constraining the Core

The Xilinx® 7 Series FPGAs Integrated Block for PCI Express® solution requires the specification of timing and other physical implementation constraints to meet specified performance requirements for PCI Express. These constraints are provided with the Endpoint and Root Port solutions in a Xilinx Design Constraints (XDC) file. Pinouts and hierarchy names in the generated XDC correspond to the provided example design.

To achieve consistent implementation results, an XDC containing these original, unmodified constraints must be used when a design is run through the Xilinx tools. For additional details on the definition and use of an XDC or specific constraints, see the *Vivado Libraries Guides* [Ref 11] and/or *Command Line Tools User Guide (UG628)* [Ref 13].

Constraints provided with the Integrated Block solution have been tested in hardware and provide consistent results. Constraints can be modified, but modifications should only be made with a thorough understanding of the effect of each constraint. Additionally, support is not provided for designs that deviate from the provided constraints.

Although the XDC delivered with each core shares the same overall structure and sequence of information, the content of each core's XDC varies. The sections that follow define the structure and sequence of information in a generic XDC.

Required Constraint Modifications

Several constraints provided in the XDC utilize hierarchical paths to elements within the integrated block. These constraints assume an instance name of *core* for the core. If a different instance name is used, replace *core* with the actual instance name in all hierarchical constraints.

For example:

Using *xilinx_pcie_ep* as the instance name, the physical constraint:

```
set_property LOC GTXE2_CHANNEL_X0Y7 [get_cells {core/inst/inst/gt_top_i/pipe_wrapper_i/pipe_lane[0].gt_wrapper_i/gtx_channel.gtxe2_channel_i}]
```

becomes:

```
set_property LOC GTXE2_CHANNEL_X0Y7 [get_cells {xilinx_pcie_ep/inst/inst/gt_top_i/pipe_wrapper_i/pipe_lane[0].gt_wrapper_i/gtx_channel.gtxe2_channel_i}]
```

The provided XDC includes blank sections for constraining user-implemented logic. While the constraints provided adequately constrain the Integrated Block core itself, they cannot adequately constrain user-implemented logic interfaced to the core. Additional constraints must be implemented by the designer.

Device, Package, and Speed Grade Selections

The first section of the XDC specifies the exact device for the implementation tools to target, including the specific part, package, and speed grade. In some cases, device-specific options can be included. The device in the XDC reflects the device chosen in the Vivado™ Design Suite project.

User Timing Constraints

The User Timing constraints section is not populated; it is a placeholder for the designer to provide timing constraints on user-implemented logic.

User Physical Constraints

The User Physical constraints section is not populated; it is a placeholder for the designer to provide physical constraints on user-implemented logic.

Core Pinout and I/O Constraints

The Core Pinout and I/O constraints section contains constraints for I/Os belonging to the core's System (SYS) and PCI Express (PCI_EXP) interfaces. It includes location constraints for pins and I/O logic as well as I/O standard constraints.

Core Physical Constraints

Core physical constraints are used to limit the core to a specific area of the device and to specify locations for clock buffering and other logic instantiated by the core.

Core Timing Constraints

This Core timing constraints section defines clock frequency requirements for the core and specifies which nets the timing analysis tool should ignore.

Device Selection

The device selection portion of the XDC informs the implementation tools which part, package, and speed grade to target for the design. Because Integrated Block cores are

designed for specific part and package combinations, this section should not be modified by the designer.

The device selection section always contains a part selection line, but can also contain part or package-specific options. An example part selection line:

```
CONFIG PART = XC7V585T-FFG1761-1
```

Core I/O Assignments

This section controls the placement and options for I/Os belonging to the core's System (SYS) interface and PCI Express (PCI_EXP) interface. `set_property` constraints in this section control the pin location and I/O options for signals in the SYS group. Locations and options vary depending on which derivative of the core is used and should not be changed without fully understanding the system requirements.

For example:

```
set_property IOSTANDARD LVCMOS18 [get_ports sys_rst_n]
set_property LOC IBUFDS_GTE2_X0Y3 [get_cells refclk_ibuf]
```

See [Clocking](#) and [Resets in Chapter 3](#) for detailed information about reset and clock requirements.

For GTX transceiver pinout information, see the "Placement Information by Package" appendix in the *7 Series FPGAs GTX/GTH Transceivers User Guide (UG476)* [\[Ref 10\]](#).

INST constraints are used to control placement of signals that belong to the PCI_EXP group. These constraints control the location of the transceiver(s) used, which implicitly controls pin locations for the transmit and receive differential pair.

For example:

```
set_property LOC GTXE2_CHANNEL_X0Y7 [get_cells {pcie_7x_v1_8_0_i/inst/inst/gt_top_i/
pipe_wrapper_i/pipe_lane[0].gt_wrapper_i/gtx_channel.gtxe2_channel_i}]
```

Core Physical Constraints

Core physical constraints are included in the constraints file to control the location of clocking and other elements and to limit the core to a specific area of the FPGA logic.



IMPORTANT: *Specific physical constraints are chosen to match each supported device and package combination—it is very important to leave these constraints unmodified.*

Note: In certain situations where a design cannot close timing, the following AREA_GROUP constraints can be added to UCF.

```
INST "core/*" AREA_GROUP = "AG_core" ;
AREA_GROUP "AG_core" RANGE = SLICE_X136Y147:SLICE_X155Y120 ;
```

Core Timing Constraints

Timing constraints are provided for all integrated block solutions, although they differ based on core configuration. In all cases they are crucial and must not be modified, except to specify the top-level hierarchical name. Timing constraints are divided into two categories:

- `set_false_path` constraints. Used on paths where specific delays are unimportant, to instruct the timing analysis tools to refrain from issuing *Unconstrained Path* warnings.
- Frequency constraints. Group clock nets into time groups and assign properties and requirements to those groups.

Here is an example of a `set_false_path` constraint:

```
set_false_path -from [get_ports sys_rst_n]
```

Clock constraints example:

First, the input reference clock period is specified, which can be 100 MHz, 125 MHz, or 250 MHz (selected in the Vivado Design Suite GUI).

```
create_clock -name sys_clk -period 10 [get_pins refclk_ibuf/0]
```

Next, the internally generated clock net and period are specified, which can be 100 MHz, 125 MHz, or 250 MHz. (*Both* clock constraints must be specified as 100 MHz, 125 MHz, or 250 MHz.)

```
create_generated_clock -name clk_125mhz -source [get_pins refclk_ibuf/0] -edges {1 2 3} -edge_shift {0 -1 -2} [get_pins ext_clk.pipe_clock_i/mmcm_i/CLKOUT0]
```

```
create_generated_clock -name clk_userclk -source [get_pins refclk_ibuf/0] -edges {1 2 3} -edge_shift {0 3 6} [get_pins ext_clk.pipe_clock_i/mmcm_i/CLKOUT2]
```

Relocating the Integrated Block Core

While Xilinx does not provide technical support for designs whose system clock input, GTXE transceivers, or block RAM locations are different from the provided examples, it is possible to relocate the core within the FPGA. The locations selected in the provided examples are the recommended pinouts. These locations have been chosen based on the proximity to the

PCIe® block, which enables meeting 250 MHz timing, and because they are conducive to layout requirements for add-in card design. If the core is moved, the relative location of all transceivers and clocking resources should be maintained to ensure timing closure.

Supported Core Pinouts

Virtex®-7 FPGAs contain multiple blocks. Table 5-1 lists which blocks are available for use in these FPGAs. Kintex™-7 and Artix™-7 devices only contain one block. In some Virtex-7 family cases, not all blocks can be targeted due to the lack of bonded transceivers sites adjacent to the Integrated Block. The Integrated Blocks in FPGAs listed in Table 5-1 only support operations up to Gen2 (5.0 GT/s) speeds. For Gen 3 (8.0 GT/s) operation, see *Virtex-7 FPGA Gen3 Integrated Block for PCI Express Product Guide (PG023)* [Ref 4].

Table 5-1: Available Integrated Blocks for PCIe

Device Selection			Integrated Block for PCIe Location				
Device	Package		X0Y0	X0Y1	X0Y2	X1Y0	X1Y1
Virtex-7	XC7VX485T	FFG1157				✓	✓
		FFG1761					
	XC7V585T	FFG1930					
		FFG1158	✓	✓		✓	✓
	XC7V2000T	FFG1927					
		FFG1157		✓	✓		
Kintex	XC7K480T	FFG1761	✓	✓	✓		
		FFG1925	✓	✓			
	XC7K420	FHG1761	✓	✓	✓		
		FLG1925	✓	✓			
	XC7K410T		✓				
			✓				
	XC7K355T		✓				
		✓					
XC7K325T		✓					
		✓					
XC7K70T		✓					
		✓					
Artix	XC7A100T		✓				
			✓				
XC7A200T		✓					
		✓					

Table 5-2 defines the supported core pinouts for the available 7 series part and package combinations. The Vivado tool provides an XDC for the selected part and package that matches the table contents.

Table 5-2: Supported Core Pinouts

Package	Device	Integrated Block Location	Lane	X1	X2	X4	X8
FBG484	XC7K70T XC7K160T	X0Y0	Lane 0	X0Y3	X0Y3	X0Y3	Not Supported
			Lane 1		X0Y2	X0Y2	
			Lane 2			X0Y1	
			Lane 3			X0Y0	
FBG676	XC7K70T XC7K160T XC7K325T XC7K410T	X0Y0	Lane 0	X0Y7	X0Y7	X0Y7	X0Y7
			Lane 1		X0Y6	X0Y6	X0Y6
FFG676	XC7K160T XC7K325T XC7K410T	X0Y0	Lane 2			X0Y5	X0Y5
FBG900	XC7K325T XC7K410T		Lane 3			X0Y4	X0Y4
FFG900	XC7K325T XC7K410T		Lane 4				X0Y3
			Lane 5				X0Y2
FFG1761	XC7V585T		Lane 6				X0Y1
FHG1761	XC7V2000T		Lane 7				X0Y0
FLG1761	XC7V1500T						
FFG1158	XC7VX485T		X0Y0	Lane 0	X0Y11	X0Y11	X0Y11
		Lane 1			X0Y10	X0Y10	X0Y10
		Lane 2				X0Y9	X0Y9
FFG1927	XC7VX485T	X0Y0	Lane 3			X0Y8	X0Y8
			Lane 4				X0Y7
			Lane 5				X0Y6
FLG1925	XC7V2000T	X0Y0	Lane 6				X0Y5
			Lane 7				X0Y4
FFG901	XC7K355T ⁽¹⁾	X0Y0	Lane 0	X0Y15	X0Y15	X0Y15	X0Y15
			Lane 1		X0Y14	X0Y14	X0Y14
			Lane 2			X0Y13	X0Y13
			Lane 3			X0Y12	X0Y12
			Lane 4				X0Y11
			Lane 5				X0Y10
			Lane 6				X0Y9
Lane 7				X0Y8			
FFG901	XC7K420T XC7K480T	X0Y0	Lane 0	X0Y19	X0Y19	X0Y19	X0Y19
FFG1156	XC7K420T XC7K480T	X0Y0	Lane 1		X0Y18	X0Y18	X0Y18

Table 5-2: Supported Core Pinouts (Cont'd)

Package	Device	Integrated Block Location	Lane	X1	X2	X4	X8
FFG1157	XC7V585T	X0Y1	Lane 2			X0Y17	X0Y17
FFG1761	XC7V585T		Lane 3			X0Y16	X0Y16
FLG1761	XC7V1500T		Lane 4				X0Y15
FHG1761	XC7V2000T		Lane 5				X0Y14
FLG1925	XC7V2000T		Lane 6				X0Y13
			Lane 7				X0Y12
FFG1158	XC7VX485T	X0Y1	Lane 0	X0Y23	X0Y23	X0Y23	X0Y23
FFG1927	XC7V485T		Lane 1		X0Y22	X0Y22	X0Y22
			Lane 2			X0Y21	X0Y21
			Lane 3			X0Y20	X0Y20
			Lane 4				X0Y19
			Lane 5				X0Y18
			Lane 6				X0Y17
			Lane 7				X0Y16
FFG1157	XC7V585T	X0Y2	Lane 0	X0Y31	X0Y31	X0Y31	X0Y31
FFG1761	XC7V585T		Lane 1		X0Y30	X0Y30	X0Y30
			Lane 2			X0Y29	X0Y29
FLG1761	XC7V1500T		Lane 3			X0Y28	X0Y28
			Lane 4				X0Y27
			Lane 5				X0Y26
			Lane 6				X0Y25
FHG1761	XC7V2000T		Lane 7				X0Y24
FFG1157	XC7VX485T	X1Y0	Lane 0	X1Y11	X1Y11	X1Y11	X1Y11
FFG1158			Lane 1		X1Y10	X1Y10	X1Y10
			Lane 2			X1Y9	X1Y9
FFG1761			Lane 3			X1Y8	X1Y8
			Lane 4				X1Y7
FFG1927			Lane 5				X1Y6
FFG1930			Lane 6				X1Y5
			Lane 7				X1Y4
FFG1157	XC7VX485T	X1Y1	Lane 0	X1Y23	X1Y23	X1Y23	X1Y23
FFG1158			Lane 1		X1Y22	X1Y22	X1Y22
			Lane 2			X1Y21	X1Y21
FFG1761			Lane 3			X1Y20	X1Y20
			Lane 4				X1Y19
FFG1927			Lane 5				X1Y18
FFG1930			Lane 6				X1Y17
			Lane 7				X1Y16

Notes:

- The default GTX transceiver locations for the XC7K355T are not pin compatible with the XC7K420T and XC7K480T in the FFG901 package. If migration compatibility is desired, change the XC7K355T GTX transceiver locations to be as follows: Lane 0: X0Y19; Lane 1: X0Y18; Lane 2: X0Y17; Lane 3: X0Y16; Lane 4: X0Y15; Lane 5: X0Y14; Lane 6: X0Y13; Lane 7: X0Y12.

Getting Started Example Design

This chapter provides an overview of the Xilinx® 7 Series FPGAs Integrated Block for PCI Express® example design and instructions for generating the core. It also includes information about simulating and implementing the example design using the provided demonstration test bench.

For current information on generating, simulating, and implementing the core, see the Release Notes provided with the core that is generated using the Vivado™ Design Suite.

Directory and File Contents

The 7 Series FPGAs Integrated Block for PCI Express example design directories and their associated files are defined in the sections that follow. Click a directory name to go to the desired directory and its associated files.

- 📁 **<project_directory>**
 - 📁 <project_directory>.srcs
 - 📁 sources_1
 - 📁 ip
 - 📁 component_name_#
 - 📁 component_name_#
 - 📁 example_design
 - 📁 <component_name_#>/<component_name_#>/simulation
 - 📁 simulation/dsport
 - 📁 simulation/functional
 - 📁 simulation/tests
 - 📁 <component_name_#>/<component_name_#>/source
 - 📁 <component_name_#>/sim
 - 📁 <component_name_#>/synth
 - 📁 <component_name_#>/source

As indicated in the directory structure, the design files are located in the `component_name_#/component_name_#` directory.

example_design

The `example_design` directory contains the example design files provided with the core. [Table 6-1](#) shows the directory contents for an Endpoint configuration core.

Table 6-1: Example Design Directory (Endpoint Configuration)

Name	Description
<code>example_design</code>	
<code>xilinx_pcie_2_1_ep_7x_01_lane_gen1_xc7v585t-ffg1157-3-PCIE_X0Y0.xdc</code>	Example design XDC. The file name varies by Device/Port Type, lane width, maximum link speed, part, package, PCIe block location, and Xilinx Development Board selected.
<code>xilinx_pcie_2_1_ep_7x.v[hd]</code>	Verilog or VHDL top-level PIO example design file.
<code>pcie_app_7x.v[hd]</code> <code>EP_MEM.v[hd]</code> <code>PIO.v[hd]</code> <code>PIO_EP.v[hd]</code> <code>PIO_EP_MEM_ACCESS.v[hd]</code> <code>PIO_TO_CTRL.v[hd]</code> <code>PIO_RX_ENGINE.v[hd]</code> <code>PIO_TX_ENGINE.v[hd]</code>	PIO example design files.

[Back to Top](#)

<component_name_#>/<component_name_#>/source

The `source` directory contains the generated core source files.

Table 6-2: Source Directory

Name	Description
<code><component_name_#>/<component_name_#>/source</code>	
<code>hierarchy.txt</code>	ASCII text indicating the RTL hierarchy
<code><component_name>_core_top.v[hd]</code>	Verilog or VHDL top-level solution wrapper for the 7 Series FPGAs Integrated Block for PCI Express
<code><component_name>_pcie_top.v[hd]</code>	AXI4-Stream solution wrapper for the 7 Series FPGAs Integrated Block for PCI Express
<code><component_name>_pcie_7x.v[hd]</code>	Solution Wrapper for the 7 Series FPGAs Integrated Block for PCI Express

Table 6-2: Source Directory (Cont'd)

Name	Description
<component_name>_pcie_pipe_pipeline.v[hd] <component_name>_pcie_pipe_lane.v[hd] <component_name>_pcie_pipe_misc.v[hd]	PIPE module for the 7 Series FPGAs Integrated Block for PCI Express
<component_name>_pcie_bram_top_7x.v[hd] <component_name>_pcie_brms_7x.v[hd] <component_name>_pcie_bram_7x.v[hd]	Block RAM module for the 7 Series FPGAs Integrated Block for PCI Express
<component_name>_pcie_gt_top.v[hd] <component_name>_gt_wrapper.v	GTX wrapper for the 7 Series FPGAs Integrated Block for PCI Express
<component_name>_axi_basic_top.v[hd] <component_name>_axi_basic_rx.v[hd] <component_name>_axi_basic_rx_pipeline.v[hd] <component_name>_axi_basic_rx_null_gen.v[hd] <component_name>_axi_basic_tx.v[hd] <component_name>_axi_basic_tx_pipeline.v[hd] <component_name>_axi_basic_tx_thrtl_ctl.v[hd]	AXI4-Stream Interface files for the 7 Series FPGAs Integrated Block for PCI Express
<component_name>_pipe_clock.v <component_name>_pipe_drp.v <component_name>_pipe_rate.v <component_name>_pipe_reset.v <component_name>_pipe_sync.v <component_name>_pipe_user.v <component_name>_pipe_wrapper.v <component_name>_pipe_eq.v <component_name>_rxeq_scan.v <component_name>_qpll_drp.v <component_name>_qpll_reset.v <component_name>_qpll_wrapper.v	GTX module for the 7 Series FPGAs GTX transceivers

[Back to Top](#)

<component_name_#>/< component_name_#>/simulation

The `simulation` directory contains the simulation source files provided with the core.

simulation/dsport

The `dsport` directory contains the files for the Root Port model test bench.

Table 6-3: dsport Directory

Name	Description
<component_name_#>/<component_name_#>/simulation/dsport	
pcie_2_1_rp_v7.v[hd] pci_exp_expect_tasks.v pci_exp_usrapp_cfg.v[hd] pci_exp_usrapp_com.v pci_exp_usrapp_pl.v[hd] pci_exp_usrapp_rx.v[hd] pci_exp_usrapp_tx.v[hd] xilinx_pcie_2_1_rport_v7.v[hd] test_interface.vhd	Root Port model files.

[Back to Top](#)

simulation/functional

The `functional` directory contains functional simulation scripts provided with the core.

Table 6-4: functional Directory

Name	Description
<component_name_#>/<component_name_#>/simulation/functional	
<code>board.f</code>	List of files for RTL simulations.
<code>simulate_mti.do</code>	Simulation script for ModelSim.
<code>simulate_ncsim.sh</code>	Simulation script for Cadence IES (Verilog only).
<code>simulate_vcs.sh</code>	Simulation script for VCS (Verilog only).
<code>xilinx_lib_vcs.f</code>	Points to the required SecureIP Model.
<code>board_common.v</code> (Endpoint configuration only)	Contains test bench definitions (Verilog only).
<code>board.v[hd]</code>	Top-level simulation module.
<code>sys_clk_gen_ds.v[hd]</code> (Endpoint configuration only)	System differential clock source.
<code>sys_clk_gen.v[hd]</code>	System clock source.

[Back to Top](#)

simulation/tests

Note: This directory exists for Endpoint configuration only.

The `tests` directory contains test definitions for the example test bench.

Table 6-5: tests Directory

Name	Description
<component_name_#>/<component_name_#>/simulation/tests	
sample_tests1.v tests.v[hd]	Test definitions for example test bench.

[Back to Top](#)

<component_name_#>/sim

Table 6-6: sim Directory

Name	Description
<component_name_#>/sim	
Component_name_#.v / vhd	Core top-level file for simulation.

[Back to Top](#)

<component_name_#>/synth

Table 6-7: synth Directory

Name	Description
<component_name_#>/synth	
Component_name_#.v / vhd	Core top-level file for synthesis.

[Back to Top](#)

<component_name_#>/source

Table 6-8: source Directory

Name	Description
<component_name_#>/source	
pcie_7x_v1_8_top.v / vhd	Top-level core that instantiates the core top-level module located in <component_name>/<component_name_#>/source.

[Back to Top](#)

Example Design

The example simulation design for the Endpoint configuration of the integrated block consists of two discrete parts:

- The Root Port Model, a test bench that generates, consumes, and checks PCI Express bus traffic.
- The Programmed Input/Output (PIO) example design, a complete application for PCI Express. The PIO example design responds to Read and Write requests to its memory space and can be synthesized for testing in hardware.

Simulation Design Overview

For the simulation design, transactions are sent from the Root Port Model to the Integrated Block core (configured as an Endpoint) and processed by the PIO example design.

[Figure 6-1](#) illustrates the simulation design provided with the Integrated Block core. For more information about the Root Port Model, see [Root Port Model Test Bench for Endpoint in Chapter 7](#).

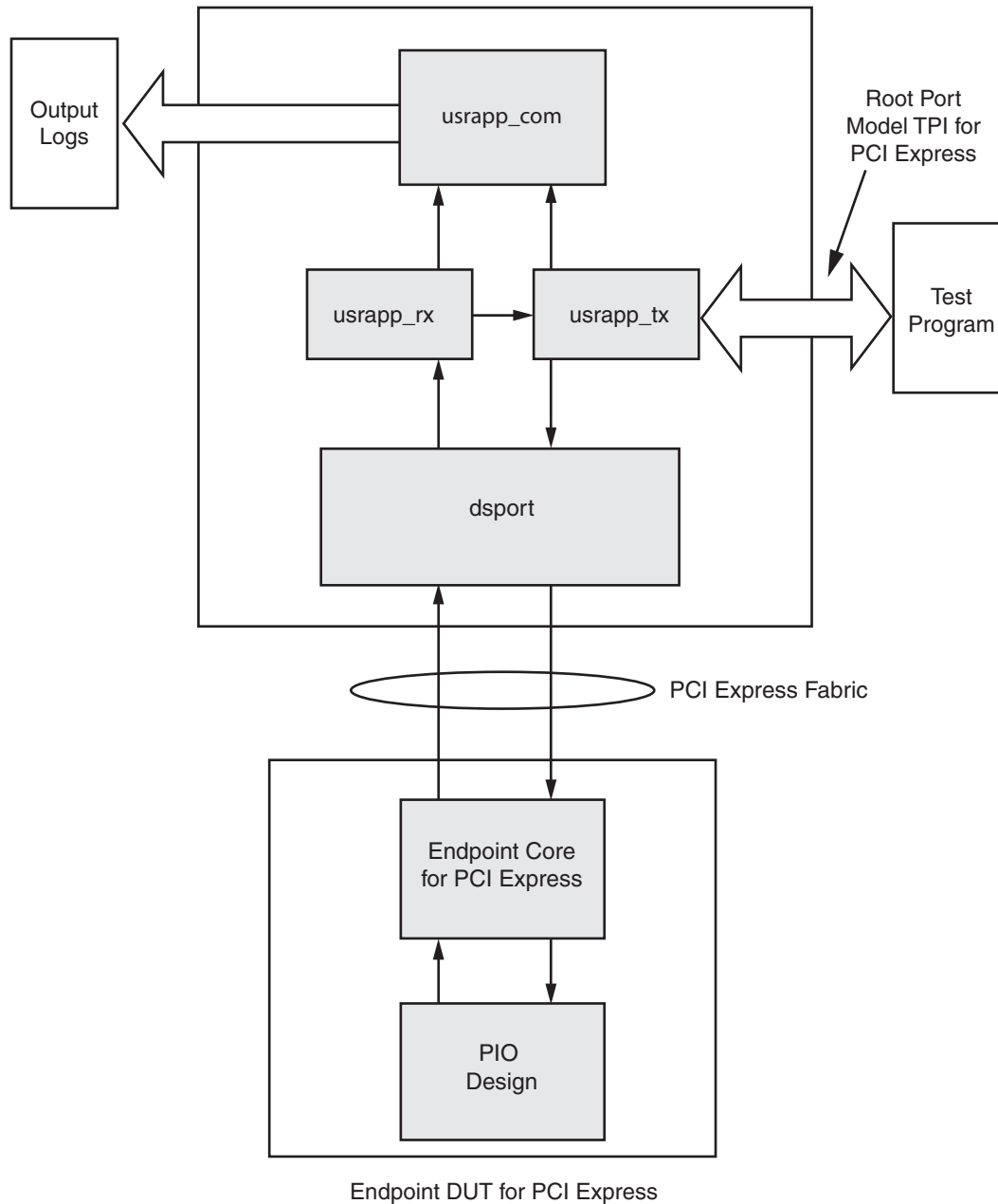


Figure 6-1: Simulation Example Design Block Diagram

Implementation Design Overview

The implementation design consists of a simple PIO example that can accept read and write transactions and respond to requests, as illustrated in Figure 6-2. Source code for the example is provided with the core. For more information about the PIO example design, see Chapter 7, Example Design and Model Test Bench for Endpoint Configuration.

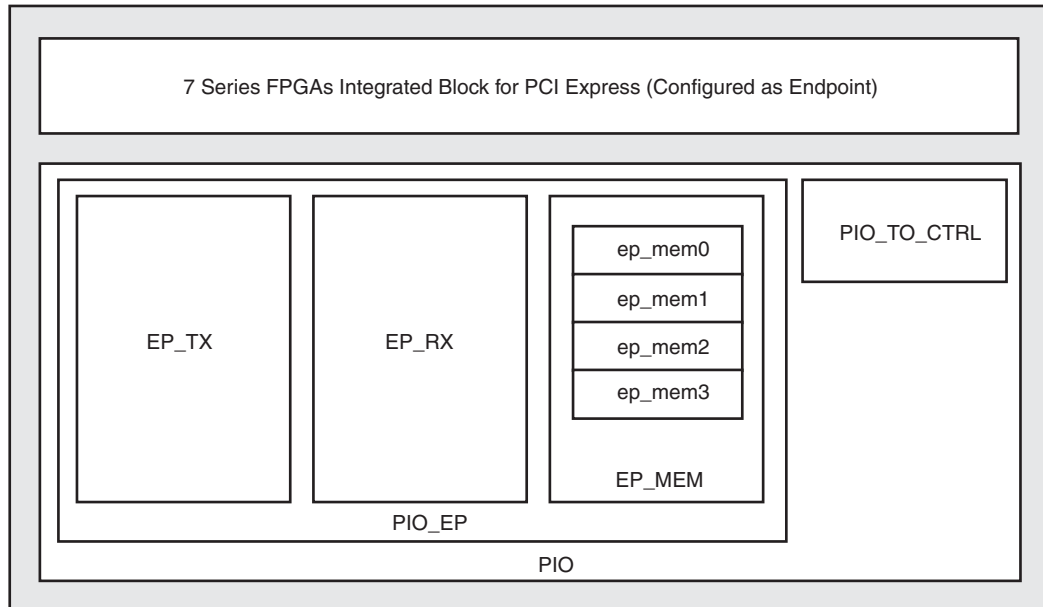


Figure 6-2: Implementation Example Design Block Diagram

Example Design Elements

The PIO example design elements include:

- Core wrapper
- An example Verilog HDL or VHDL wrapper (instantiates the cores and example design)
- A customizable demonstration test bench to simulate the example design

The example design has been tested and verified with Vivado Design Suite and these simulators:

- Synopsys VCS and VCS MX
- Mentor Graphics ModelSim
- Cadence IES
- Vivado Simulator

For the supported versions of these tools, see the [Xilinx Design Tools: Release Notes Guide](#).

Generating the Core

To generate a core using the default values in the Vivado IP Catalog, follow these steps:

1. Start the Vivado IP catalog.

2. Select **File > New Project**.
3. Enter a project name and location, then click **OK**. This example uses `project_name.cpg` and `project_dir`. The Project Options dialog box appears (Figure 6-3).



Figure 6-3: New Project Dialog Box

4. Set the project options (Figure 6-4 through Figure 6-9):

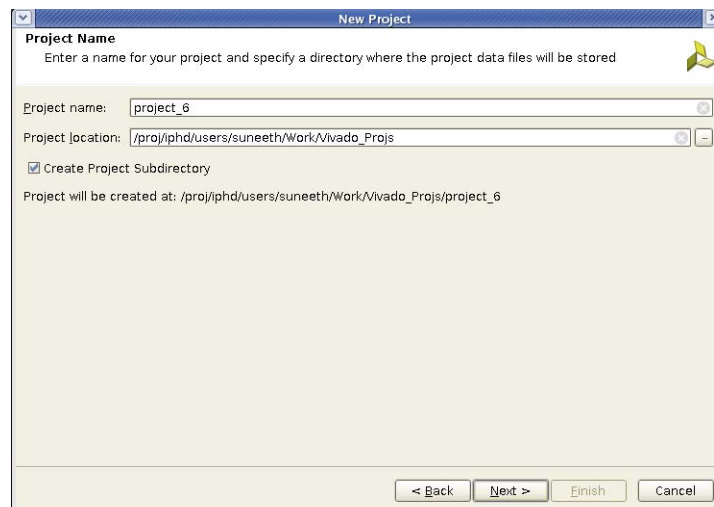


Figure 6-4: Project Name

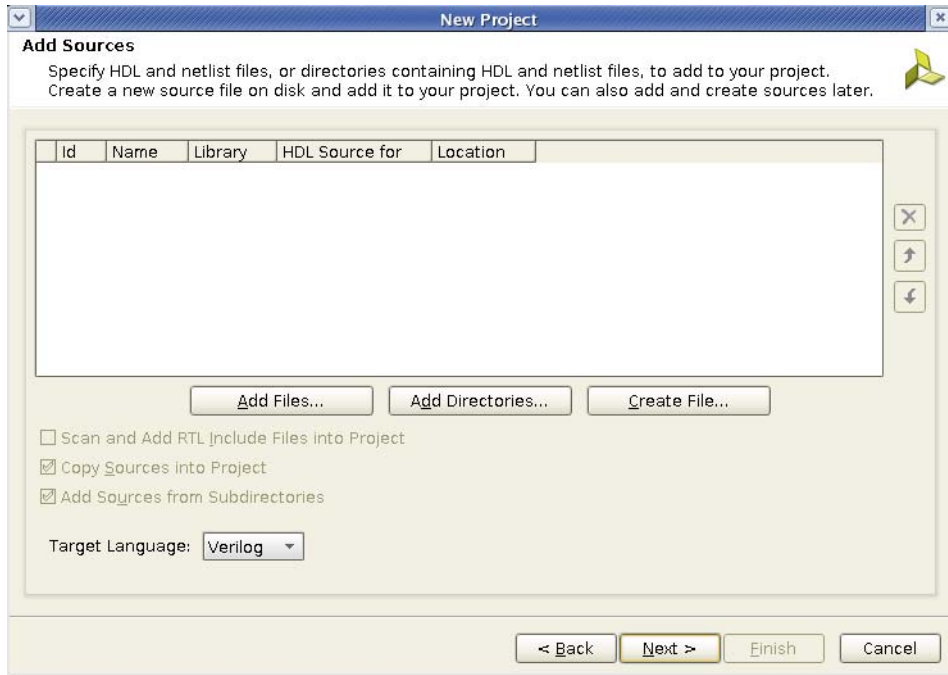


Figure 6-5: Add Sources

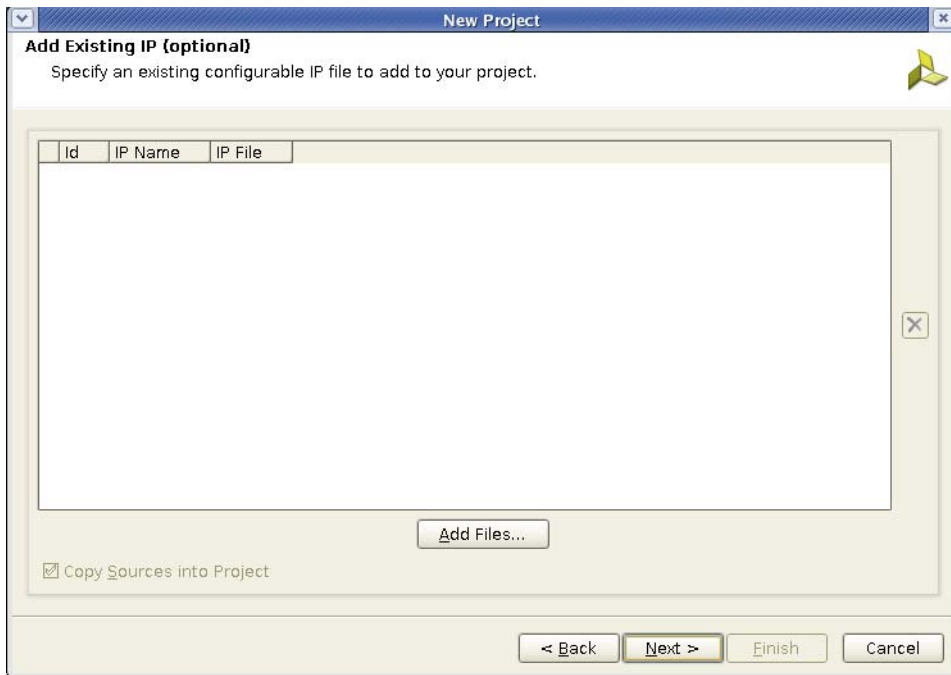


Figure 6-6: Add Existing IP (Optional)



Figure 6-7: Add Constraints (Optional)

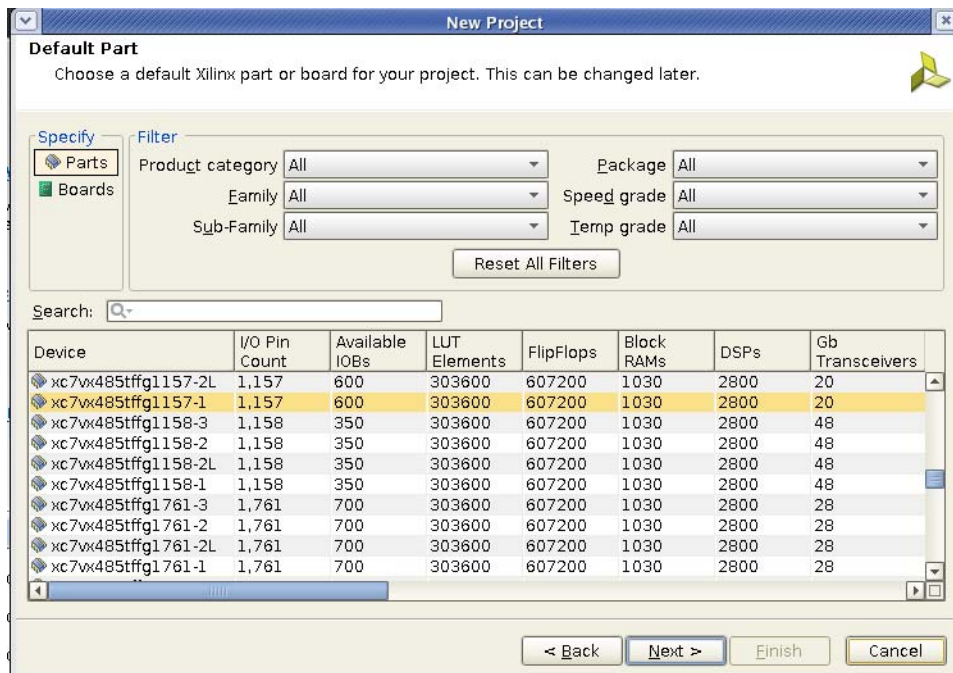


Figure 6-8: Default Part

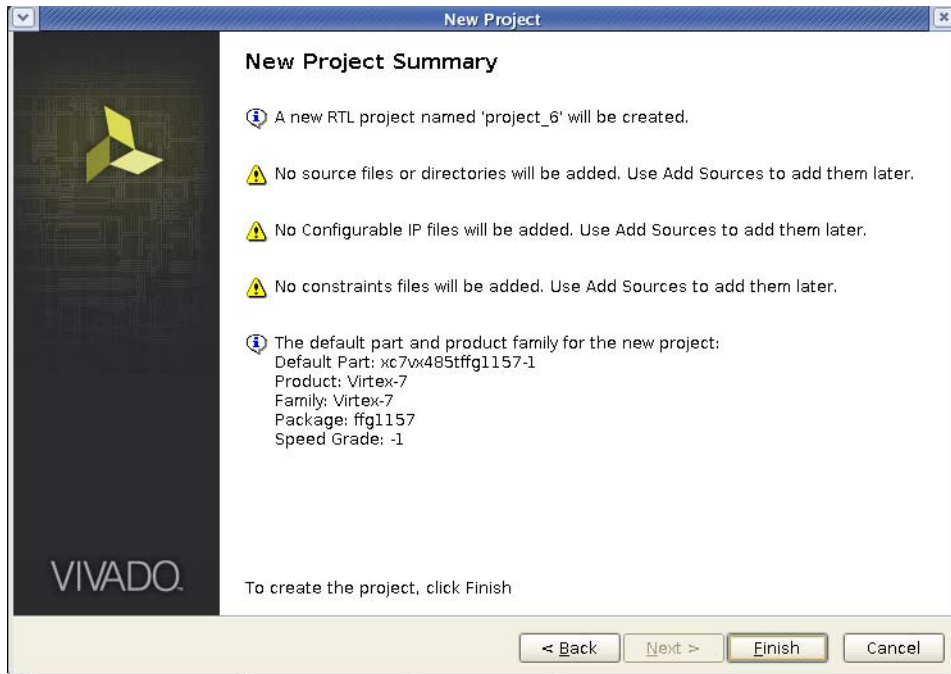


Figure 6-9: New Project Summary

5. Set the project options (Figure 6-4):

From the Part tab, select these options:

- **Family:** Virtex7
- **Device:** xc7v485t
- **Package:** ffg1157
- **Speed Grade:** -3

Note: If an unsupported silicon device is selected, the core is dimmed (unavailable) in the list of cores.

6. Locate the core in the selection tree under Standard Bus Interfaces/PCI Express; then double-click the core name to display the Integrated Block main screen.

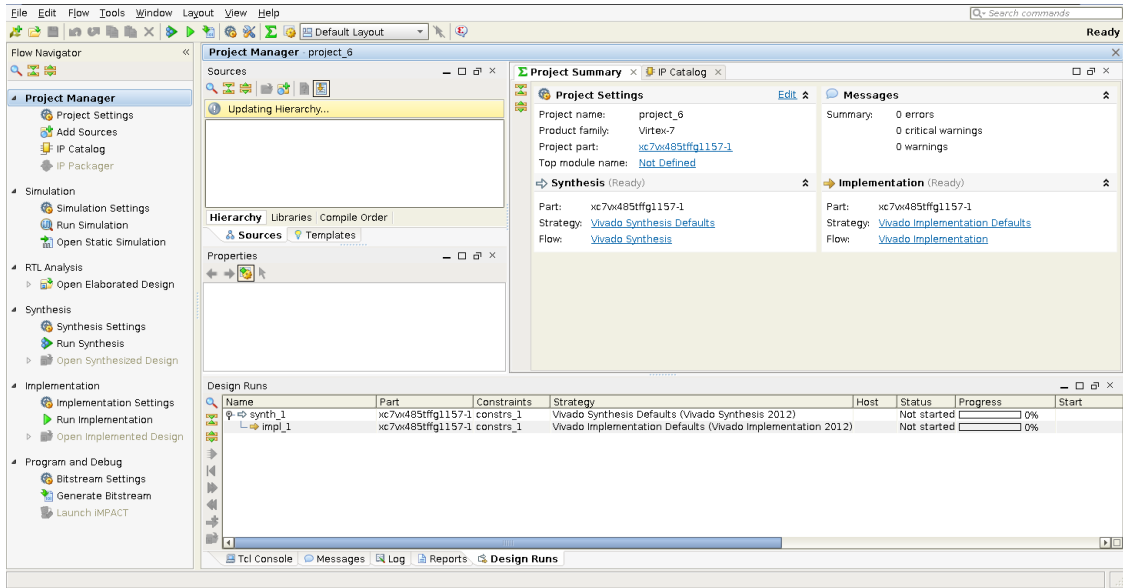


Figure 6-10: Screenshot of Vivado Project Manager

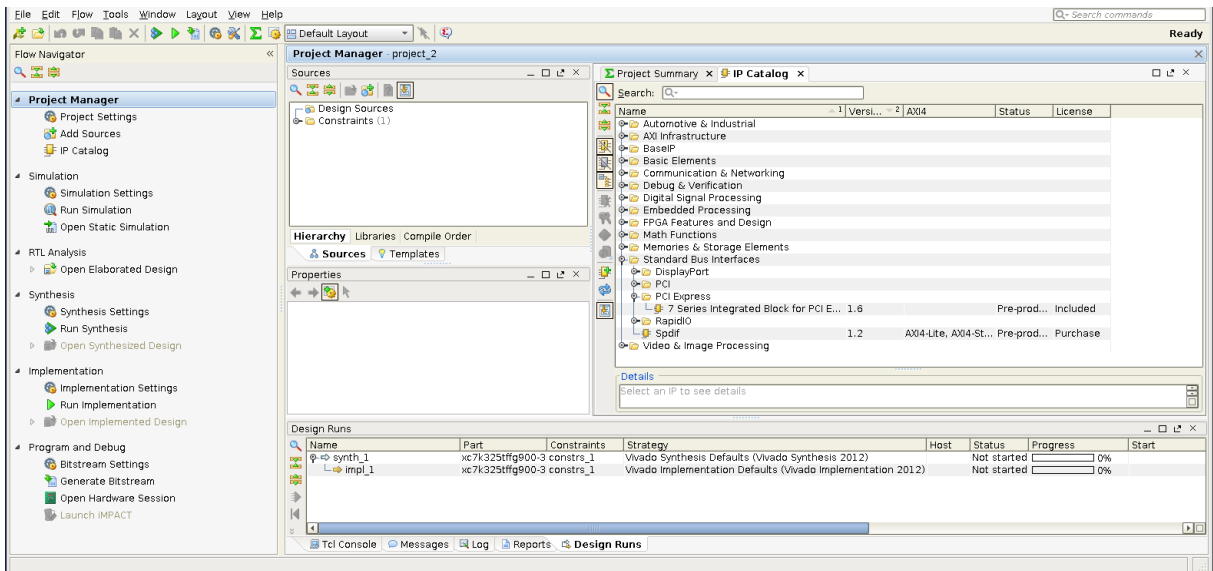


Figure 6-11: Screenshot of Vivado IP Catalog

- In the Component Name field, enter a name for the core. <component_name> is used in this example.

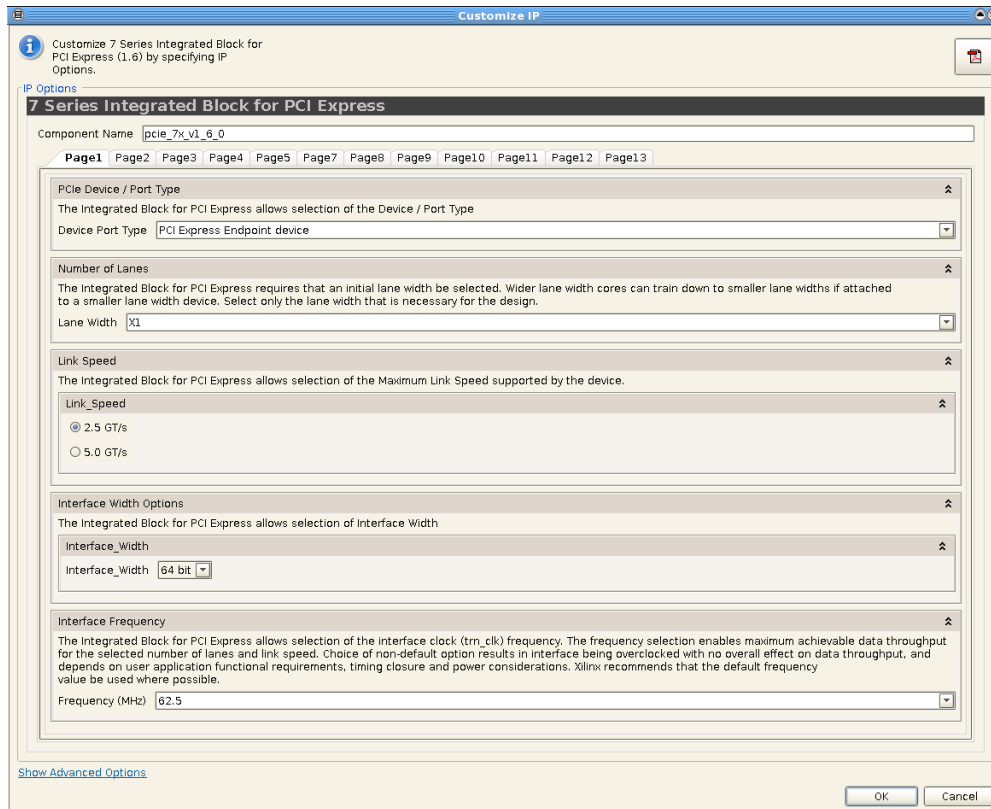


Figure 6-12: Integrated Block Core Configuration GUI

8. From the Device/Port Type drop-down menu, select the appropriate device/port type of the core (Endpoint or Root Port).
9. Click **OK** to generate the core using the default parameters.
10. In the Design sources tab, right-click the xci file.
11. Select **Generate**.
12. Select **All** to generate the core with the default parameters.

Implementation

To run the implementation on the generated core:

1. Right-click the xci file.
2. Select **Open IP example design**.

A new Vivado tool window opens with the project name "example_project" within the project directory. In this new window, select the Run Synthesis and Run Implementation buttons and generate a bitstream either in sequence or any at a time. Selecting the

Generate Bitstream button runs all steps: synthesis, implementation, and then bitstream. Selecting the Implementation button runs synthesis first and then implementation.

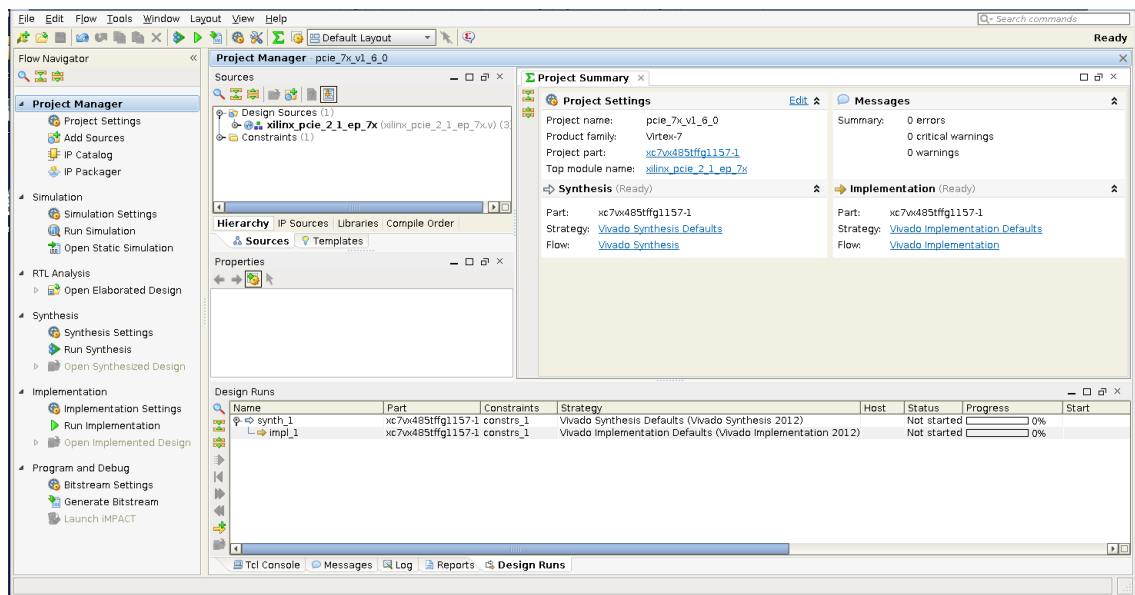


Figure 6-13: Example Project

Simulation

The example design provides a quick way to simulate and observe the behavior of the core.

Endpoint Configuration

The simulation environment provided with the 7 Series FPGAs Integrated Block for PCI Express core in Endpoint configuration performs simple memory access tests on the PIO example design. Transactions are generated by the Root Port Model and responded to by the PIO example design.

- PCI Express Transaction Layer Packets (TLPs) are generated by the test bench transmit User Application (`pci_exp_usrapp_tx`). As it transmits TLPs, it also generates a log file, `tx.dat`.
- PCI Express TLPs are received by the test bench receive User Application (`pci_exp_usrapp_rx`). As the User Application receives the TLPs, it generates a log file, `rx.dat`.

For more information about the test bench, see [Root Port Model Test Bench for Endpoint in Chapter 7](#).

Setting Up for Simulation

To run the gate-level simulation, the Xilinx Simulation Libraries must be compiled for the user system. See the Compiling Xilinx Simulation Libraries (COMPXLIB) in the *Xilinx ISE Synthesis and Verification Design Guide* and the *Xilinx ISE Software Manuals and Help*. Documents can be downloaded from www.xilinx.com/support/software_manuals.htm.

Simulator Requirements

7 Series device designs require a Verilog LRM-IEEE 1364-2005 encryption-compliant simulator. This core supports these simulators:

- Mentor Graphics ModelSim
- Cadence IES (Verilog only)
- Synopsys VCS and VCS MX (Verilog only)

Running the Simulation

The simulation scripts provided with the example design support pre-implementation (RTL) simulation. The existing test bench can be used to simulate with a post-implementation version of the example design.

The pre-implementation simulation consists of these components:

- Verilog or VHDL model of the test bench
- Verilog or VHDL RTL example design
- The Verilog or VHDL model of the 7 Series FPGAs Integrated Block for PCI Express

1. To run the simulation, go to this directory:

```
<project_dir>/<component_name>/simulation/functional
```

2. Launch the simulator and run the script that corresponds to the user simulation tool using one of these:

- **VCS** > `./simulate_vcs.sh`
- **IES** > `./simulate_ncsim.sh`
- **ModelSim** > `do simulate_mti.do`

Example Design and Model Test Bench for Endpoint Configuration

Programmed Input/Output: Endpoint Example Design

Programmed Input/Output (PIO) transactions are generally used by a PCI Express® system host CPU to access Memory Mapped Input/Output (MMIO) and Configuration Mapped Input/Output (CMIO) locations in the PCI Express logic. Endpoints for PCI Express accept Memory and I/O Write transactions and respond to Memory and I/O Read transactions with Completion with Data transactions.

The PIO example design (PIO design) is included with the Xilinx® 7 Series FPGAs Integrated Block for PCI Express in Endpoint configuration generated by the Vivado™ IP catalog, which allows users to bring up their system board with a known established working design to verify the link and functionality of the board.

Note: The PIO design Port Model is shared by the 7 Series FPGAs Integrated Block for PCI Express, Endpoint Block Plus for PCI Express, and Endpoint PIPE for PCI Express solutions. This appendix represents all the solutions generically using the name Endpoint for PCI Express (or Endpoint for PCIe®).

System Overview

The PIO design is a simple target-only application that interfaces with the Endpoint for PCIe core's Transaction (AXI4-Stream) interface and is provided as a starting point for customers to build their own designs. These features are included:

- Four transaction-specific 2 KB target regions using the internal Xilinx® FPGA block RAMs, providing a total target space of 8192 bytes
- Supports single DWORD payload Read and Write PCI Express transactions to 32-/64-bit address memory spaces and I/O space with support for completion TLPs
- Utilizes the core's (rx_bar_hit[7:0]) m_axis_rx_tuser[9:2] signals to differentiate between TLP destination Base Address Registers

- Provides separate implementations optimized for 32-bit, 64-bit, and 128-bit AXI4-Stream interfaces

Figure 7-1 illustrates the PCI Express system architecture components, consisting of a Root Complex, a PCI Express switch device, and an Endpoint for PCIe. PIO operations move data *downstream* from the Root Complex (CPU register) to the Endpoint, and/or *upstream* from the Endpoint to the Root Complex (CPU register). In either case, the PCI Express protocol request to move the data is initiated by the host CPU.

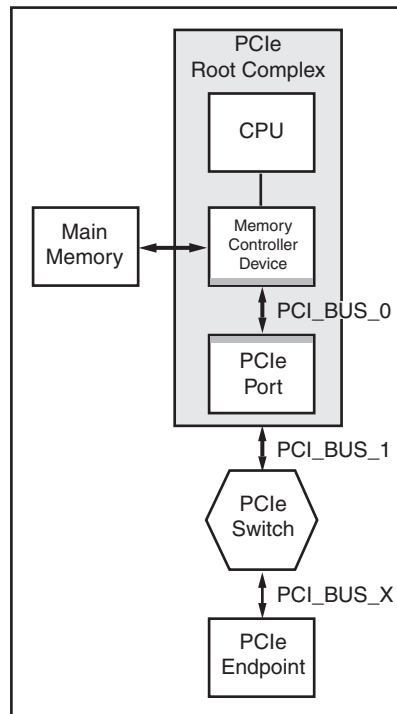


Figure 7-1: PCI Express System Overview

Data is moved downstream when the CPU issues a store register to a MMIO address command. The Root Complex typically generates a Memory Write TLP with the appropriate MMIO location address, byte enables, and the register contents. The transaction terminates when the Endpoint receives the Memory Write TLP and updates the corresponding local register.

Data is moved upstream when the CPU issues a load register from a MMIO address command. The Root Complex typically generates a Memory Read TLP with the appropriate MMIO location address and byte enables. The Endpoint generates a Completion with Data TLP after it receives the Memory Read TLP. The Completion is steered to the Root Complex and payload is loaded into the target register, completing the transaction.

PIO Hardware

The PIO design implements a 8192 byte target space in FPGA block RAM, behind the Endpoint for PCIe. This 32-bit target space is accessible through single DWORD I/O Read, I/O Write, Memory Read 64, Memory Write 64, Memory Read 32, and Memory Write 32 TLPs.

The PIO design generates a completion with one DWORD of payload in response to a valid Memory Read 32 TLP, Memory Read 64 TLP, or I/O Read TLP request presented to it by the core. In addition, the PIO design returns a completion without data with successful status for I/O Write TLP request.

The PIO design processes a Memory or I/O Write TLP with one DWORD payload by updating the payload into the target address in the FPGA block RAM space.

Base Address Register Support

The PIO design supports four discrete target spaces, each consisting of a 2 KB block of memory represented by a separate Base Address Register (BAR). Using the default parameters, the IP catalog tool produces a core configured to work with the PIO design defined in this section, consisting of:

- One 64-bit addressable Memory Space BAR
- One 32-bit Addressable Memory Space BAR

Users can change the default parameters used by the PIO design; however, in some cases they might need to change the back-end User Application depending on their system. See [Changing IP Catalog Default BAR Settings](#) for information about changing the default IP catalog parameters and the effect on the PIO design.

Each of the four 2 KB address spaces represented by the BARs corresponds to one of four 2 KB address regions in the PIO design. Each 2 KB region is implemented using a 2 KB dual-port block RAM. As transactions are received by the core, the core decodes the address and determines which of the four regions is being targeted. The core presents the TLP to the PIO design and asserts the appropriate bits of (rx_bar_hit[7:0]) m_axis_rx_tuser[9:2], as defined in [Table 7-1](#).

Table 7-1: TLP Traffic Types

Block RAM	TLP Transaction Type	Default BAR	rx_bar_hit[7:0]
ep_mem0	I/O TLP transactions	Disabled	Disabled
ep_mem1	32-bit address Memory TLP transactions	2	0000_0100b
ep_mem2	64-bit address Memory TLP transactions	0-1	0000_0010b
ep_mem3	32-bit address Memory TLP transactions destined for EROM	Expansion ROM	0100_0000b

Changing IP Catalog Default BAR Settings

Users can change the IP catalog parameters and continue to use the PIO design to create customized Verilog or VHDL source to match the selected BAR settings. However, because the PIO design parameters are more limited than the core parameters, consider these example design limitations when changing the default IP catalog parameters:

- The example design supports one I/O space BAR, one 32-bit Memory space (that cannot be the Expansion ROM space), and one 64-bit Memory space. If these limits are exceeded, only the first space of a given type is active—accesses to the other spaces do not result in completions.
- Each space is implemented with a 2 KB memory. If the corresponding BAR is configured to a wider aperture, accesses beyond the 2 KB limit wrap around and overlap the 2 KB memory space.
- The PIO design supports one I/O space BAR, which by default is disabled, but can be changed if desired.

Although there are limitations to the PIO design, Verilog or VHDL source code is provided so users can tailor the example design to their specific needs.

TLP Data Flow

This section defines the data flow of a TLP successfully processed by the PIO design. For detailed information about the interface signals within the sub-blocks of the PIO design, see [Receive Path, page 277](#) and [Transmit Path, page 278](#).

The PIO design successfully processes single DWORD payload Memory Read and Write TLPs and I/O Read and Write TLPs. Memory Read or Memory Write TLPs of lengths larger than one DWORD are not processed correctly by the PIO design; however, the core *does* accept these TLPs and passes them along to the PIO design. If the PIO design receives a TLP with a length of greater than one DWORD, the TLP is received completely from the core and discarded. No corresponding completion is generated.

Memory and I/O Write TLP Processing

When the Endpoint for PCIe receives a Memory or I/O Write TLP, the TLP destination address and transaction type are compared with the values in the core BARs. If the TLP passes this comparison check, the core passes the TLP to the Receive AXI4-Stream interface of the PIO design. The PIO design handles Memory writes and I/O TLP writes in different ways: the PIO design responds to *I/O writes* by generating a Completion Without Data (cpl), a requirement of the PCI Express specification.

Along with the start of packet, end of packet, and ready handshaking signals, the Receive AXI4-Stream interface also asserts the appropriate (rx_bar_hit[7:0]) m_axis_rx_tuser[9:2] signal to indicate to the PIO design the specific destination BAR that matched the incoming TLP. On reception, the PIO design's RX State Machine processes the incoming Write TLP and

extracts the TLPs data and relevant address fields so that it can pass this along to the PIO design's internal block RAM write request controller.

Based on the specific `rx_bar_hit[7:0]` signal asserted, the RX State Machine indicates to the internal write controller the appropriate 2 KB block RAM to use prior to asserting the write enable request. For example, if an I/O Write Request is received by the core targeting BAR0, the core passes the TLP to the PIO design and asserts `rx_bar_hit[0]`. The RX State machine extracts the lower address bits and the data field from the I/O Write TLP and instructs the internal Memory Write controller to begin a write to the block RAM.

In this example, the assertion of `rx_bar_hit[0]` instructed the PIO memory write controller to access `ep_mem0` (which by default represents 2 KB of I/O space). While the write is being carried out to the FPGA block RAM, the PIO design RX state machine deasserts the `m_axis_rx_tready`, causing the Receive AXI4-Stream interface to stall receiving any further TLPs until the internal Memory Write controller completes the write to the block RAM. Deasserting `m_axis_rx_tready` in this way is not required for all designs using the core—the PIO design uses this method to simplify the control logic of the RX state machine.

Memory and I/O Read TLP Processing

When the Endpoint for PCIe receives a Memory or I/O Read TLP, the TLP destination address and transaction type are compared with the values programmed in the core BARs. If the TLP passes this comparison check, the core passes the TLP to the Receive AXI4-Stream interface of the PIO design.

Along with the start of packet, end of packet, and ready handshaking signals, the Receive AXI4-Stream interface also asserts the appropriate `rx_bar_hit[7:0]` signal to indicate to the PIO design the specific destination BAR that matched the incoming TLP. On reception, the PIO design's state machine processes the incoming Read TLP and extracts the relevant TLP information and passes it along to the PIO design's internal block RAM read request controller.

Based on the specific `rx_bar_hit[7:0]` signal asserted, the RX state machine indicates to the internal read request controller the appropriate 2 KB block RAM to use before asserting the read enable request. For example, if a Memory Read 32 Request TLP is received by the core targeting the default MEM32 BAR2, the core passes the TLP to the PIO design and asserts `rx_bar_hit[2]`. The RX State machine extracts the lower address bits from the Memory 32 Read TLP and instructs the internal Memory Read Request controller to start a read operation.

In this example, the assertion of `rx_bar_hit[2]` instructs the PIO memory read controller to access the Mem32 space, which by default represents 2 KB of memory space. A notable difference in handling of memory write and read TLPs is the requirement of the receiving device to return a Completion with Data TLP in the case of memory or I/O read request.

While the read is being processed, the PIO design RX state machine deasserts `m_axis_rx_tready`, causing the Receive AXI4-Stream interface to stall receiving any further TLPs until the internal Memory Read controller completes the read access from the block

RAM and generates the completion. Deasserting `m_axis_rx_tready` in this way is not required for all designs using the core. The PIO design uses this method to simplify the control logic of the RX state machine.

PIO File Structure

[Table 7-2](#) defines the PIO design file structure. Based on the specific core targeted, not all files delivered by the IP catalog tool are necessary, and some files might not be delivered. The major difference is that some of the Endpoint for PCIe solutions use a 32-bit user datapath, others use a 64-bit datapath, and the PIO design works with both. The width of the datapath depends on the specific core being targeted.

Table 7-2: PIO Design File Structure

File	Description
<code>PIO.v</code>	Top-level design wrapper
<code>PIO_EP.v</code>	PIO application module
<code>PIO_TO_CTRL.v</code>	PIO turn-off controller module
<code>PIO_32_RX_ENGINE.v</code>	32-bit Receive engine
<code>PIO_32_TX_ENGINE.v</code>	32-bit Transmit engine
<code>PIO_64_RX_ENGINE.v</code>	64-bit Receive engine
<code>PIO_64_TX_ENGINE.v</code>	64-bit Transmit engine
<code>PIO_128_RX_ENGINE.v</code>	128-bit Receive engine
<code>PIO_128_TX_ENGINE.v</code>	128-bit Transmit engine
<code>PIO_EP_MEM_ACCESS.v</code>	Endpoint memory access module
<code>PIO_EP_MEM.v</code>	Endpoint memory

Three configurations of the PIO design are provided: `PIO_32`, `PIO_64`, and `PIO_128` with 32-, 64-, and 128-bit AXI4-Stream interfaces, respectively. The PIO configuration generated depends on the selected Endpoint type (that is, 7 series FPGAs integrated block, PIPE, PCI Express, and Block Plus) as well as the number of PCI Express lanes and the interface width selected by the user. [Table 7-3](#) identifies the PIO configuration generated based on the user's selection.

Table 7-3: PIO Configuration

Core	x1	x2	x4	x8
Endpoint for PIPE	<code>PIO_32</code>	NA	NA	NA
Endpoint for PCI Express	<code>PIO_32</code>	NA	<code>PIO_64</code>	<code>PIO_64</code>
Endpoint for PCI Express Block Plus	<code>PIO_64</code>	NA	<code>PIO_64</code>	<code>PIO_64</code>
Virtex-6 FPGA Integrated Block	<code>PIO_64</code>	<code>PIO_64</code>	<code>PIO_64</code>	<code>PIO_64</code> , <code>PIO_128</code> ⁽¹⁾
Spartan®-6 FPGA Integrated Endpoint Block	<code>PIO_32</code>	NA	NA	NA

Table 7-3: PIO Configuration (Cont'd)

Core	x1	x2	x4	x8
7 Series FPGAs Integrated Block	PIO_64	PIO_64	PIO_64, PIO_128	PIO_64, PIO_128

Notes:

1. The PIO_128 configuration is only provided for the 128-bit x8 5.0 Gb/s, x8 2.5 Gb/s, and x4 5.0 Gb/s cores.

Figure 7-2 shows the various components of the PIO design, which is separated into four main parts: the TX Engine, RX Engine, Memory Access Controller, and Power Management Turn-Off Controller.

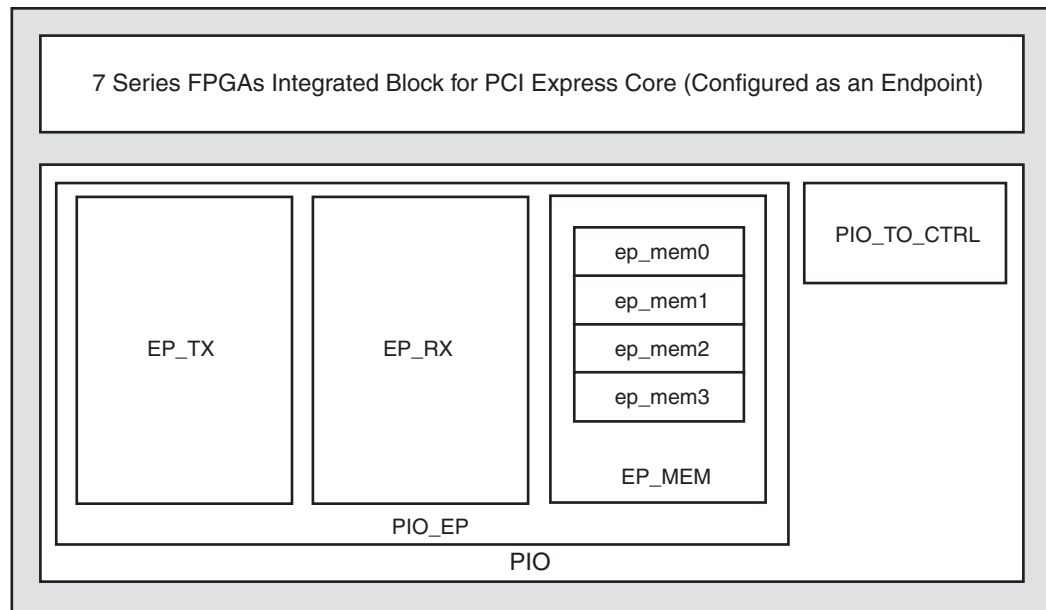


Figure 7-2: PIO Design Components

PIO Application

Figure 7-3, Figure 7-4, and Figure 7-5 depict 128-bit, 64-bit, and 32-bit PIO application top-level connectivity, respectively. The datapath width (32, 64, or 128 bits) depends on which Endpoint for PCIe core is used. The PIO_EP module contains the PIO FPGA block RAM modules and the transmit and receive engines. The PIO_TO_CTRL module is the Endpoint Turn-Off controller unit, which responds to power turn-off message from the host CPU with an acknowledgment.

The PIO_EP module connects to the Endpoint AXI4-Stream and Configuration (cfg) interfaces.

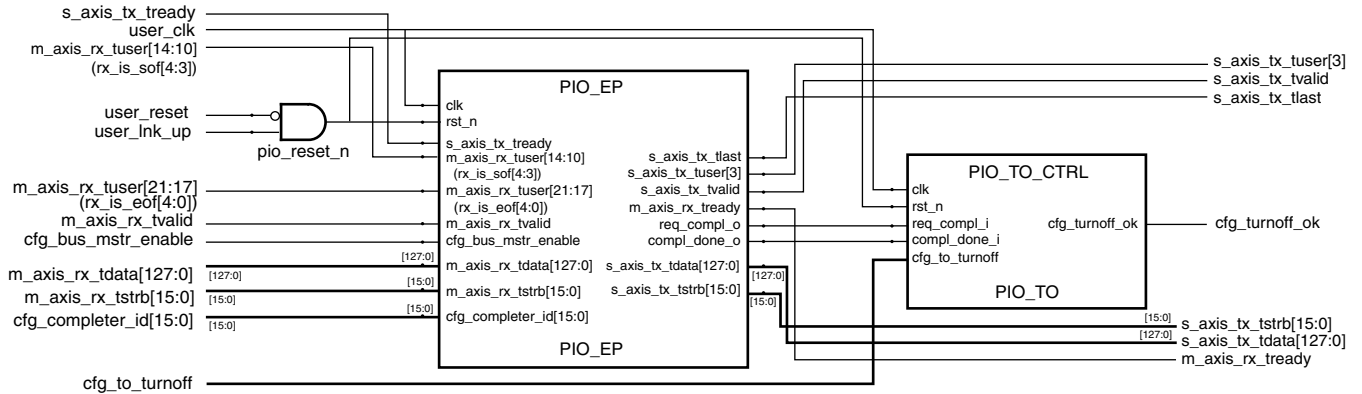


Figure 7-3: PIO 128-Bit Application

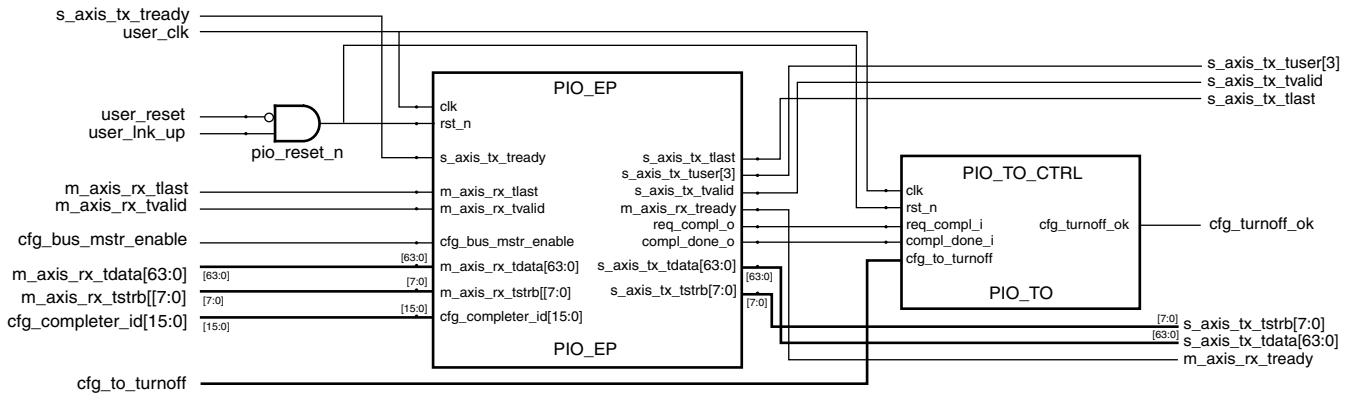


Figure 7-4: PIO 64-Bit Application

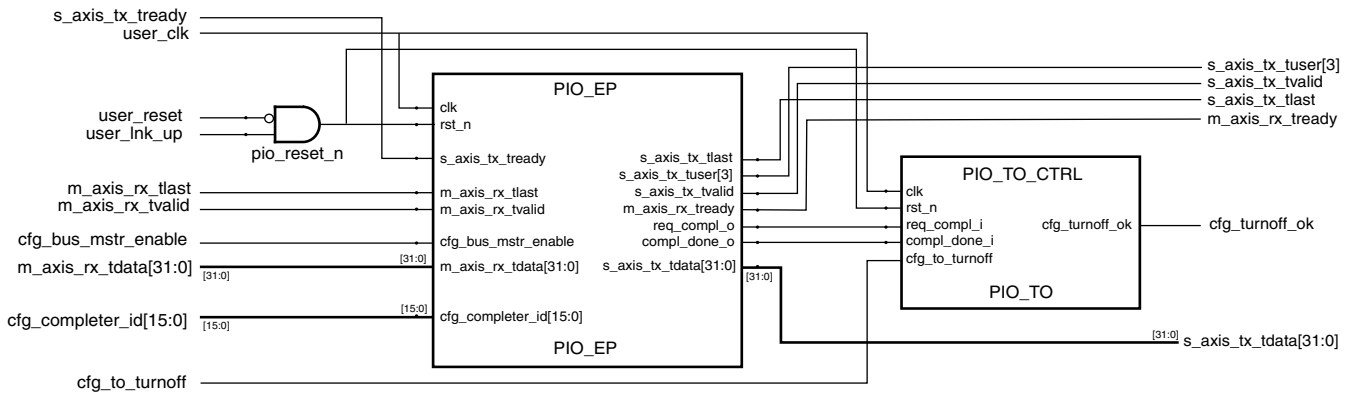


Figure 7-5: PIO 32-Bit Application

Receive Path

Figure 7-6 illustrates the PIO_32_RX_ENGINE, PIO_64_RX_ENGINE, and PIO_128_RX_ENGINE modules. The datapath of the module must match the datapath of the core being used. These modules connect with Endpoint for PCIe Receive interface.

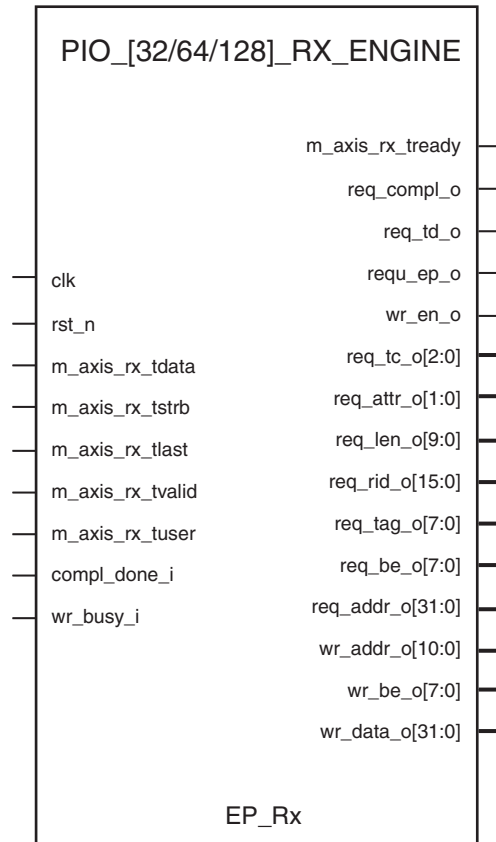


Figure 7-6: RX Engines

The PIO_32_RX_ENGINE, PIO_64_RX_ENGINE and PIO_128_RX_ENGINE modules receive and parse incoming read and write TLPs.

The RX engine parses one DWORD 32- and 64-bit addressable memory and I/O read requests. The RX state machine extracts needed information from the TLP and passes it to the memory controller, as defined in Table 7-4.

Table 7-4: RX Engine: Read Outputs

Port	Description
req_compl_o	Completion request (active-High)
req_td_o	Request TLP Digest bit
req_ep_o	Request Error Poisoning bit
req_tc_o[2:0]	Request Traffic Class

Table 7-4: RX Engine: Read Outputs (Cont'd)

Port	Description
req_attr_o[1:0]	Request Attributes
req_len_o[9:0]	Request Length
req_rid_o[15:0]	Request Requester Identifier
req_tag_o[7:0]	Request Tag
req_be_o[7:0]	Request Byte Enable
req_addr_o[10:0]	Request Address

The RX Engine parses one DWORD 32- and 64-bit addressable memory and I/O write requests. The RX state machine extracts needed information from the TLP and passes it to the memory controller, as defined in [Table 7-5](#).

Table 7-5: Rx Engine: Write Outputs

Port	Description
wr_en_o	Write received
wr_addr_o[10:0]	Write address
wr_be_o[7:0]	Write byte enable
wr_data_o[31:0]	Write data

The read datapath stops accepting new transactions from the core while the application is processing the current TLP. This is accomplished by `m_axis_rx_tready` deassertion. For an ongoing Memory or I/O Read transaction, the module waits for `compl_done_i` input to be asserted before it accepts the next TLP, while an ongoing Memory or I/O Write transaction is deemed complete after `wr_busy_i` is deasserted.

Transmit Path

[Figure 7-7](#) shows the `PIO_32_TX_ENGINE`, `PIO_64_TX_ENGINE`, and `PIO_128_TX_ENGINE` modules. The datapath of the module must match the datapath of the core being used. These modules connect with the core Transmit interface.

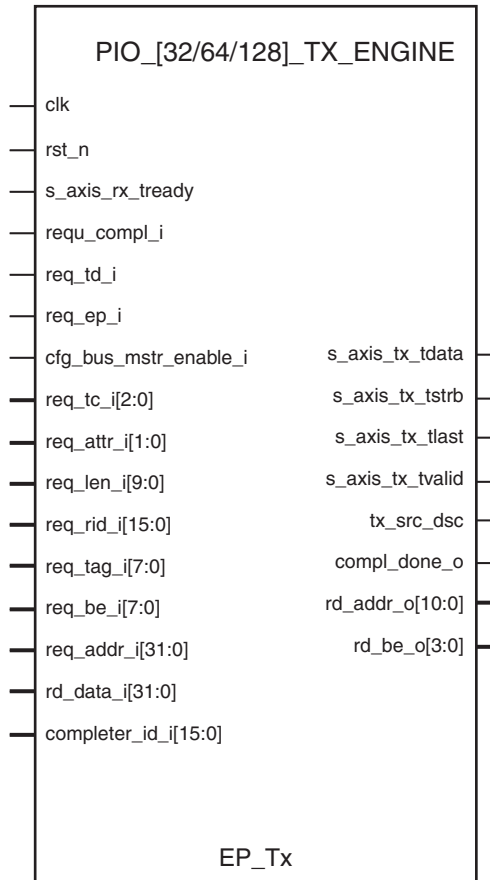


Figure 7-7: TX Engines

The PIO_32_TX_ENGINE, PIO_64_TX_ENGINE, and PIO_128_TX_ENGINE modules generate completions for received memory and I/O read TLPs. The PIO design does not generate outbound read or write requests. However, users can add this functionality to further customize the design.

The PIO_32_TX_ENGINE, PIO_64_TX_ENGINE, and PIO_128_TX_ENGINE modules generate completions in response to one DWORD 32- and 64-bit addressable memory and I/O read requests. Information necessary to generate the completion is passed to the TX Engine, as defined in Table 7-6.

Table 7-6: TX Engine Inputs

Port	Description
req_compl_i	Completion request (active-High)
req_td_i	Request TLP Digest bit
req_ep_i	Request Error Poisoning bit
req_tc_i[2:0]	Request Traffic Class
req_attr_i[1:0]	Request Attributes
req_len_i[9:0]	Request Length

Table 7-6: TX Engine Inputs (Cont'd)

Port	Description
req_rid_i[15:0]	Request Requester Identifier
req_tag_i[7:0]	Request Tag
req_be_i[7:0]	Request Byte Enable
req_addr_i[10:0]	Request Address

After the completion is sent, the TX engine asserts the compl_done_i output indicating to the RX engine that it can assert m_axis_rx_tready and continue receiving TLPs.

Endpoint Memory

Figure 7-8 displays the PIO_EP_MEM_ACCESS module. This module contains the Endpoint memory space.

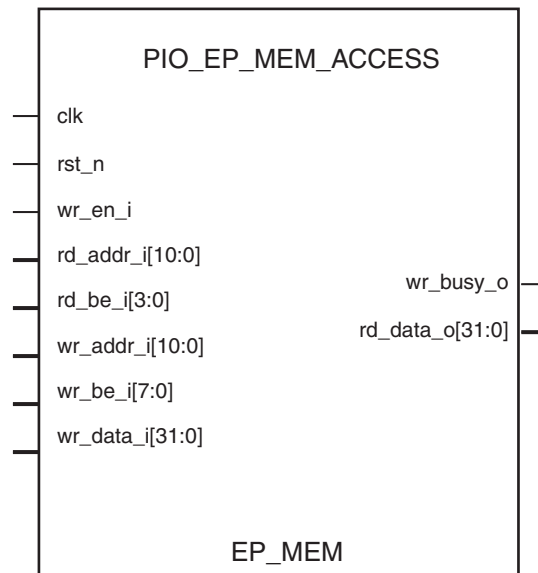


Figure 7-8: EP Memory Access

The PIO_EP_MEM_ACCESS module processes data written to the memory from incoming Memory and I/O Write TLPs and provides data read from the memory in response to Memory and I/O Read TLPs.

The EP_MEM module processes one DWORD 32- and 64-bit addressable Memory and I/O Write requests based on the information received from the RX Engine, as defined in Table 7-7. While the memory controller is processing the write, it asserts the wr_busy_o output indicating it is busy.

Table 7-7: EP Memory: Write Inputs

Port	Description
wr_en_i	Write received
wr_addr_i[10:0]	Write address
wr_be_i[7:0]	Write byte enable
wr_data_i[31:0]	Write data

Both 32- and 64-bit Memory and I/O Read requests of one DWORD are processed based on the inputs defined in Table 7-8. After the read request is processed, the data is returned on rd_data_o[31:0].

Table 7-8: EP Memory: Read Inputs

Port	Description
req_be_i[7:0]	Request Byte Enable
req_addr_i[31:0]	Request Address

PIO Operation

PIO Read Transaction

Figure 7-9 depicts a Back-to-Back Memory Read request to the PIO design. The receive engine deasserts m_axis_rx_tready as soon as the first TLP is completely received. The next Read transaction is accepted only after compl_done_o is asserted by the transmit engine, indicating that Completion for the first request was successfully transmitted.

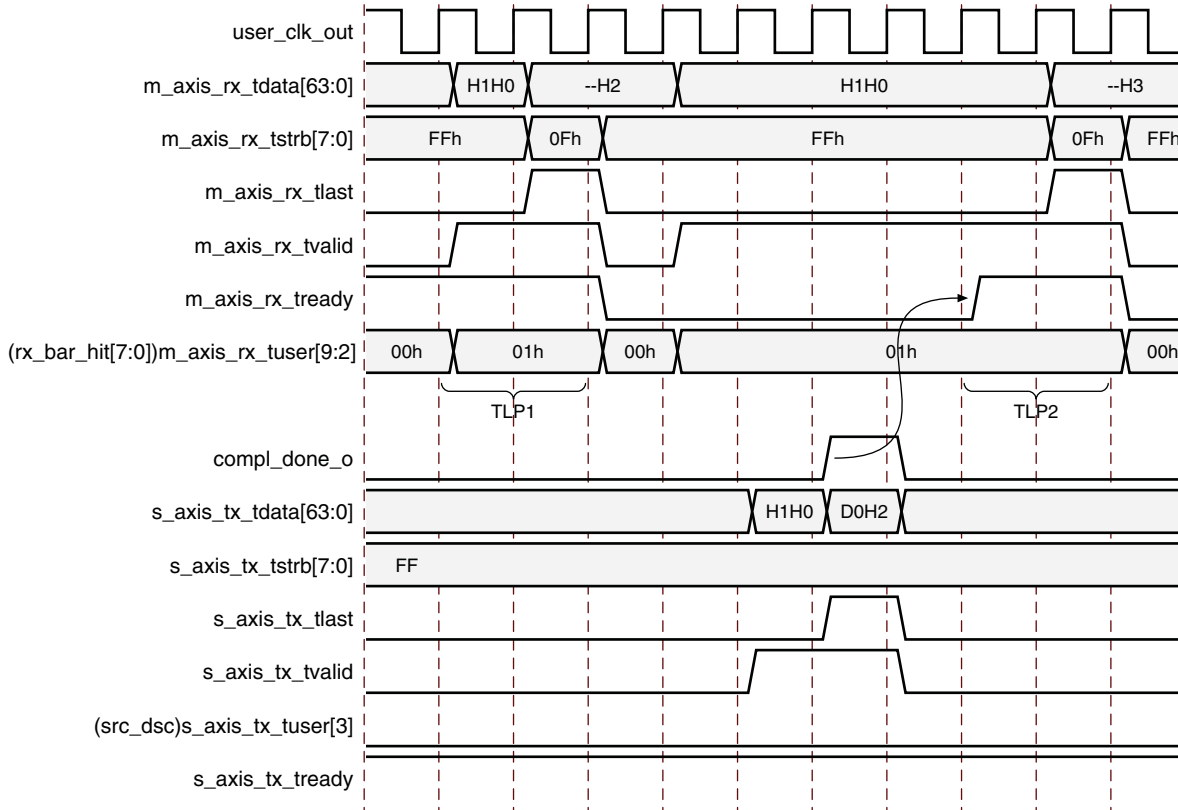


Figure 7-9: Back-to-Back Read Transactions

PIO Write Transaction

Figure 7-10 depicts a back-to-back Memory Write to the PIO design. The next Write transaction is accepted only after `wr_busy_o` is deasserted by the memory access unit, indicating that data associated with the first request was successfully written to the memory aperture.

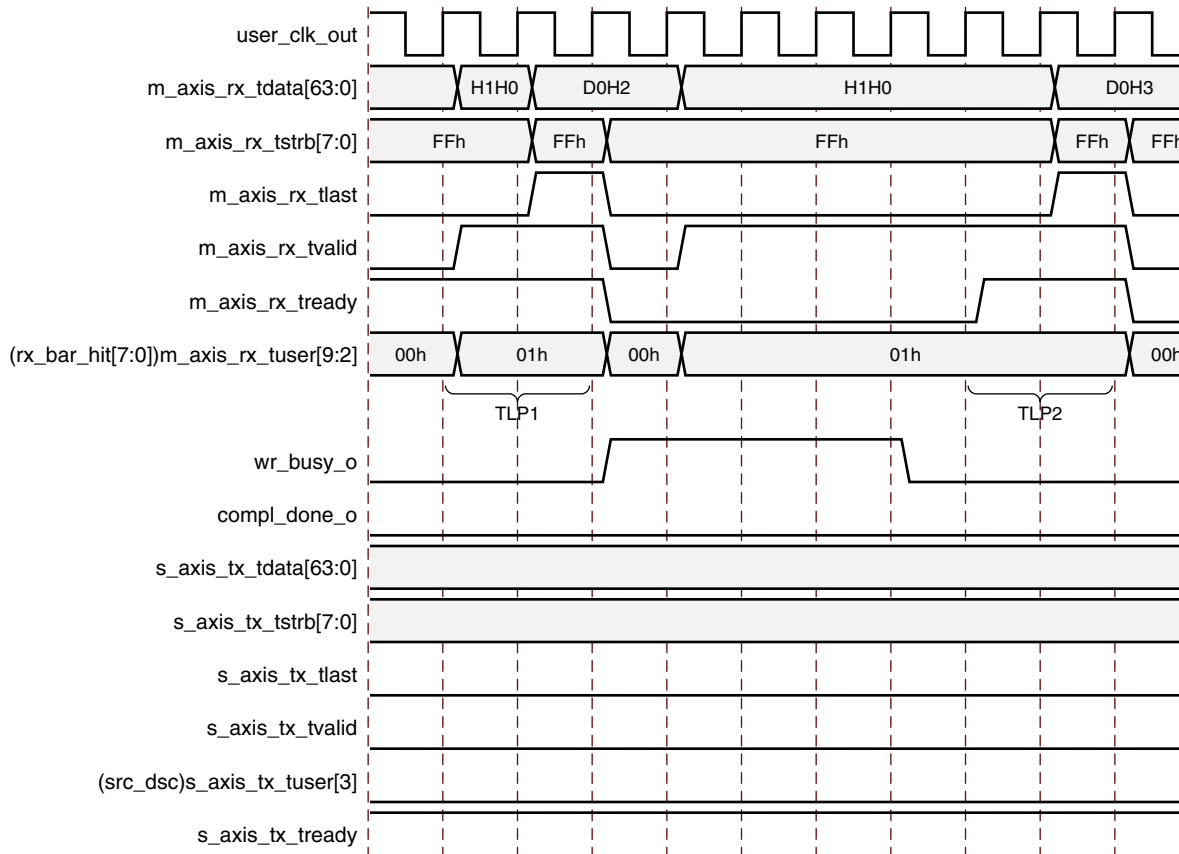


Figure 7-10: Back-to-Back Write Transactions

Device Utilization

Table 7-9 shows the PIO design FPGA resource utilization.

Table 7-9: PIO Design FPGA Resources

Resources	Utilization
LUTs	300
Flip-Flops	500
Block RAMs	4

Summary

The PIO design demonstrates the Endpoint for PCIe and its interface capabilities. In addition, it enables rapid bring-up and basic validation of end user Endpoint add-in card FPGA hardware on PCI Express platforms. Users can leverage standard operating system utilities that enable generation of read and write transactions to the target space in the reference design.

Root Port Model Test Bench for Endpoint

The PCI Express Root Port Model is a robust test bench environment that provides a test program interface that can be used with the provided PIO design or with the user's design. The purpose of the Root Port Model is to provide a source mechanism for generating downstream PCI Express TLP traffic to stimulate the customer design, and a destination mechanism for receiving upstream PCI Express TLP traffic from the customer design in a simulation environment.

Source code for the Root Port Model is included to provide the model for a starting point for the user test bench. All the significant work for initializing configuration space, creating TLP transactions, generating TLP logs, and providing an interface for creating and verifying tests are complete, allowing you to dedicate efforts to verifying the correct functionality of the design rather than spending time developing an Endpoint core test bench infrastructure.

The Root Port Model consists of:

- Test Programming Interface (TPI), which allows you to stimulate the Endpoint device for the PCI Express.
- Example tests that illustrate how to use the test program TPI.
- Verilog or VHDL source code for all Root Port Model components, which allow you to customize the test bench.

Figure 7-11 illustrates the illustrates the Root Port Model coupled with the PIO design.

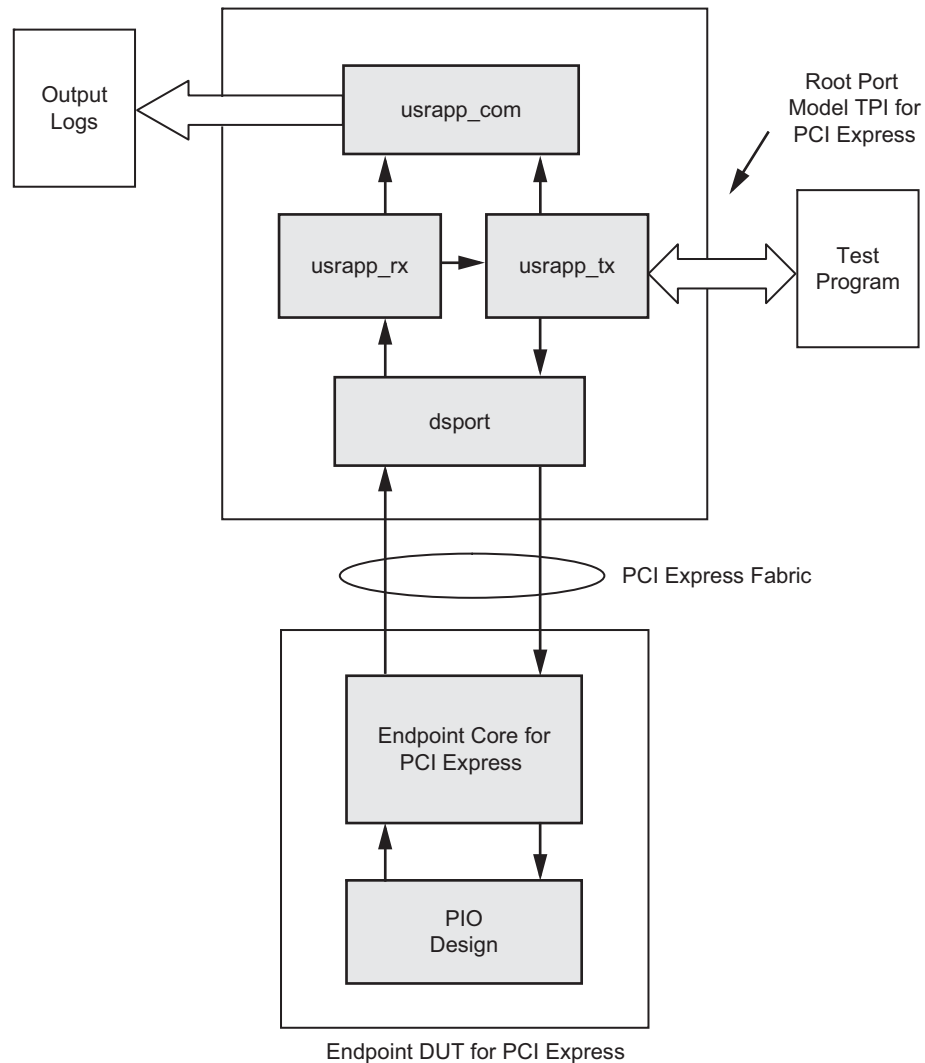


Figure 7-11: Root Port Model and Top-Level Endpoint

Architecture

The Root Port Model consists of these blocks, illustrated in [Figure 7-11](#):

- dsport (Root Port)
- usrapp_tx
- usrapp_rx
- usrapp_com (Verilog only)

The `usrapp_tx` and `usrapp_rx` blocks interface with the `dsport` block for transmission and reception of TLPs to/from the Endpoint Design Under Test (DUT). The Endpoint DUT consists of the Endpoint for PCIe and the PIO design (displayed) or customer design.

The `usrapp_tx` block sends TLPs to the `dsport` block for transmission across the PCI Express Link to the Endpoint DUT. In turn, the Endpoint DUT device transmits TLPs across the PCI Express Link to the `dsport` block, which are subsequently passed to the `usrapp_rx` block. The `dsport` and `core` are responsible for the data link layer and physical link layer processing when communicating across the PCI Express logic. Both `usrapp_tx` and `usrapp_rx` utilize the `usrapp_com` block for shared functions, for example, TLP processing and log file outputting. Transaction sequences or test programs are initiated by the `usrapp_tx` block to stimulate the Endpoint device's fabric interface. TLP responses from the Endpoint device are received by the `usrapp_rx` block. Communication between the `usrapp_tx` and `usrapp_rx` blocks allow the `usrapp_tx` block to verify correct behavior and act accordingly when the `usrapp_rx` block has received TLPs from the Endpoint device.

Simulating the Design

Four simulation script files are provided with the model to facilitate simulation with Synopsys VCS and VCS MX, Cadence IES, and Mentor Graphics ModelSim tools:

- `simulate_vcs.sh` (Verilog Only)
- `simulate_ncsim.sh`
- `simulate_mti.do`

The example simulation script files are located in this directory:

```
<component_name_#>/<component_name_#>/simulation/functional
```

Instructions for simulating the PIO design using the Root Port Model are provided in [Chapter 6, Getting Started Example Design](#).

Note: For Cadence IES users, the `work` construct must be manually inserted into the `cds.lib` file:
`DEFINE WORK WORK.`

Scaled Simulation Timeouts

The simulation model of the 7 Series FPGAs Integrated Block for PCI Express uses scaled down times during link training to allow for the link to train in a reasonable amount of time during simulation. According to the *PCI Express Specification, rev. 2.1* [Ref 2], there are various timeouts associated with the link training and status state machine (LTSSM) states. The 7 series FPGAs integrated block scales these timeouts by a factor of 256 in simulation, except in the `Recovery Speed_1` LTSSM state, where the timeouts are not scaled.

Test Selection

[Table 7-10](#) describes the tests provided with the Root Port Model, followed by specific sections for VHDL and Verilog test selection.

Table 7-10: Root Port Model Provided Tests

Test Name	Test in VHDL/ Verilog	Description
sample_smoke_test0	Verilog and VHDL	Issues a PCI Type 0 Configuration Read TLP and waits for the completion TLP; then compares the value returned with the expected Device/Vendor ID value.
sample_smoke_test1	Verilog	Performs the same operation as sample_smoke_test0 but makes use of expectation tasks. This test uses two separate test program threads: one thread issues the PCI Type 0 Configuration Read TLP and the second thread issues the Completion with Data TLP expectation task. This test illustrates the form for a parallel test that uses expectation tasks. This test form allows for confirming reception of any TLPs from the customer's design. Additionally, this method can be used to confirm reception of TLPs when ordering is unimportant.

VHDL Test Selection

Test selection is implemented in the VHDL Downstream Port Model by overriding the `test_selector` generic within the `tests` entity. The `test_selector` generic is a string with a one-to-one correspondence to each test within the `tests` entity.

The user can modify the generic mapping of the instantiation of the `tests` entity within the `pci_exp_usrapp_tx` entity. Currently, there is one test defined inside the `tests` entity, `sample_smoke_test0`. Additional customer-defined tests should be added inside `tests.vhd`. Currently, specific tests cannot be selected from the VHDL simulation scripts.

Verilog Test Selection

The Verilog test model used for the Root Port Model lets you specify the name of the test to be run as a command line parameter to the simulator. For example, the `simulate_ncsim.sh` script file, used to start the Cadence IES simulator, can be modified to explicitly specify the test `sample_smoke_test0` to be run using this command line syntax:

```
ncsim work.board +TESTNAME=sample_smoke_test0
```

To change the test to be run, change the value provided to `TESTNAME` defined in the test files `sample_tests1.v` and `pio_tests.v`. The same mechanism is used for VCS and ModelSim. ISim uses the `-testplusarg` options to specify `TESTNAME`, for example:

```
demo_tb.exe -gui -view wave.wcfg -wdb wave_isim -tclbatch  
isim_cmd.tcl -testplusarg TESTNAME=sample_smoke_test0.
```

VHDL and Verilog Root Port Model Differences

These subsections identify differences between the VHDL and Verilog Root Port Model.

Verilog Expectation Tasks

The most significant difference between the Verilog and the VHDL test bench is that the Verilog test bench has Expectation Tasks. Expectation tasks are API calls used in conjunction with a bus mastering customer design. The test program issues a series of expectation task calls, that is, the task calls expect a memory write TLP and a memory read TLP. If the customer design does not respond with the expected TLPs, the test program fails. This functionality was implemented using the fork-join construct in Verilog, which is not available in VHDL and subsequently not implemented.

Verilog Command Line versus VHDL tests.vhd Module

The Verilog test bench allows test programs to be specified at the command line, while the VHDL test bench specifies test programs within the `tests.vhd` module.

Generating Wave Files

- The Verilog test bench uses `recordvars` and `dumpfile` commands within the code to generate wave files.
- The VHDL test bench leaves the generating wave file functionality up to the simulator.

Speed Differences

The VHDL test bench is slower than the Verilog test bench, especially when testing the x8 core. For initial design simulation and speed enhancement, the user might want to use the x1 core, identify basic functionality issues, and then move to x2, x4, or x8 simulation when testing design performance.

Waveform Dumping

[Table 7-11](#) describes the available simulator waveform dump file formats, each of which is provided in the simulator's native file format. The same mechanism is used for VCS and ModelSim.

Table 7-11: Simulator Dump File Format

Simulator	Dump File Format
Synopsys VCS	.vpd
Mentor Graphics ModelSim	.vcd
Cadence IES	.trn

VHDL Flow

Waveform dumping in the VHDL flow does not use the `+dump_all` mechanism described in the [Verilog Flow](#) section. Because the VHDL language itself does not provide a common interface for dumping waveforms, each VHDL simulator has its own interface for supporting

waveform dumping. For both the supported ModelSim and IES flows, dumping is supported by invoking the VHDL simulator command line with a command line option that specifies the respective waveform command file, `wave.do` (ModelSim), `wave.sv` (IES), and `wave.wcfg` (ISim). This command line can be found in the respective simulation script files `simulate_mti.do`, `simulate_ncsim.sh`, and `simulate_isim.bat` [`.sh`].

ModelSim

This command line initiates waveform dumping for the ModelSim flow using the VHDL test bench:

```
>vsim +notimingchecks -do wave.do -L unisim -L work work.board
```

IES

This command line initiates waveform dumping for the IES flow using the VHDL test bench:

```
>ncsim -gui work.board -input @"simvision -input wave.sv"
```

Verilog Flow

The Root Port Model provides a mechanism for outputting the simulation waveform to file by specifying the `+dump_all` command line parameter to the simulator.

For example, the script file `simulate_ncsim.sh` (used to start the Cadence IES simulator) can indicate to the Root Port Model that the waveform should be saved to a file using this command line:

```
ncsim work.board +TESTNAME=sample_smoke_test0 +dump_all
```

Output Logging

When a test fails on the example or customer design, the test programmer debugs the offending test case. Typically, the test programmer inspects the wave file for the simulation and cross-reference this to the messages displayed on the standard output. Because this approach can be very time consuming, the Root Port Model offers an output logging mechanism to assist the tester with debugging failing test cases to speed the process.

The Root Port Model creates three output files (`tx.dat`, `rx.dat`, and `error.dat`) during each simulation run. Log files `rx.dat` and `tx.dat` each contain a detailed record of every TLP that was received and transmitted, respectively, by the Root Port Model. With an understanding of the expected TLP transmission during a specific test case, the test programmer can more easily isolate the failure.

The log file `error.dat` is used in conjunction with the expectation tasks. Test programs that utilize the expectation tasks generate a general error message to standard output. Detailed information about the specific comparison failures that have occurred due to the expectation error is located within `error.dat`.

Parallel Test Programs

There are two classes of tests are supported by the Root Port Model:

- **Sequential tests.** Tests that exist within one process and behave similarly to sequential programs. The test depicted in [Test Program: pio_writeReadBack_test0, page 291](#) is an example of a sequential test. Sequential tests are very useful when verifying behavior that have events with a known order.
- **Parallel tests.** Tests involving more than one process thread. The test `sample_smoke_test1` is an example of a parallel test with two process threads. Parallel tests are very useful when verifying that a specific set of events have occurred, however the order of these events are not known.

A typical parallel test uses the form of one command thread and one or more expectation threads. These threads work together to verify a device's functionality. The role of the command thread is to create the necessary TLP transactions that cause the device to receive and generate TLPs. The role of the expectation threads is to verify the reception of an expected TLP. The Root Port Model TPI has a complete set of expectation tasks to be used in conjunction with parallel tests.

Because the example design is a target-only device, only Completion TLPs can be expected by parallel test programs while using the PIO design. However, the full library of expectation tasks can be used for expecting any TLP type when used in conjunction with the customer's design (which can include bus-mastering functionality). Currently, the VHDL version of the Root Port Model Test Bench does not support Parallel tests.

Test Description

The Root Port Model provides a Test Program Interface (TPI). The TPI provides the means to create tests by invoking a series of Verilog tasks. All Root Port Model tests should follow the same six steps:

1. Perform conditional comparison of a unique test name
2. Set up master timeout in case simulation hangs
3. Wait for Reset and link-up
4. Initialize the configuration space of the Endpoint
5. Transmit and receive TLPs between the Root Port Model and the Endpoint DUT
6. Verify that the test succeeded

Test Program: pio_writeReadBack_test0

```

1.  else if(testname == "pio_writeReadBack_test1"
2.  begin
3.  // This test performs a 32 bit write to a 32 bit Memory space and performs a read back
4.  TSK_SIMULATION_TIMEOUT(10050);
5.  TSK_SYSTEM_INITIALIZATION;
6.  TSK_BAR_INIT;
7.  for (ii = 0; ii <= 6; ii = ii + 1) begin
8.      if (BAR_INIT_P_BAR_ENABLED[ii] > 2'b00) // bar is enabled
9.          case(BAR_INIT_P_BAR_ENABLED[ii])
10.             2'b01 : // IO SPACE
11.                 begin
12.                     $display("[%t] : NOTHING: to IO 32 Space BAR %x", $realtime, ii);
13.                 end
14.             2'b10 : // MEM 32 SPACE
15.                 begin
16.                     $display("[%t] : Transmitting TLPs to Memory 32 Space BAR %x",
17.                             $realtime, ii);
18.                     //-----
19.                     // Event : Memory Write 32 bit TLP
20.                     //-----
21.                     DATA_STORE[0] = 8'h04;
22.                     DATA_STORE[1] = 8'h03;
23.                     DATA_STORE[2] = 8'h02;
24.                     DATA_STORE[3] = 8'h01;
25.                     P_READ_DATA = 32'hffff_ffff; // make sure P_READ_DATA has known initial value
26.                     TSK_TX_MEMORY_WRITE_32(DEFAULT_TAG, DEFAULT_TC, 10'd1, BAR_INIT_P_BAR[ii][31:0] , 4'hF,
4'hF, 1'b0);
27.                     TSK_TX_CLK_EAT(10);
28.                     DEFAULT_TAG = DEFAULT_TAG + 1;
29.                     //-----
30.                     // Event : Memory Read 32 bit TLP
31.                     //-----
32.                     TSK_TX_MEMORY_READ_32(DEFAULT_TAG, DEFAULT_TC, 10'd1, BAR_INIT_P_BAR[ii][31:0], 4'hF,
4'hF);
33.                     TSK_WAIT_FOR_READ_DATA;
34.                     if (P_READ_DATA != {DATA_STORE[3], DATA_STORE[2], DATA_STORE[1], DATA_STORE[0] })
35.                         begin
36.                             $display("[%t] : Test FAILED --- Data Error Mismatch, Write Data %x != Read Data %x",
$realtime,{DATA_STORE[3], DATA_STORE[2], DATA_STORE[1], DATA_STORE[0]}, P_READ_DATA);
37.                         end
38.                     else
39.                         begin
40.                             $display("[%t] : Test PASSED --- Write Data: %x successfully received", $realtime,
P_READ_DATA);
41.                         end

```

Expanding the Root Port Model

The Root Port Model was created to work with the PIO design, and for this reason is tailored to make specific checks and warnings based on the limitations of the PIO design. These checks and warnings are enabled by default when the Root Port Model is generated by the IP catalog tool. However, these limitations can be disabled so that they do not affect the customer's design.

Because the PIO design was created to support at most one I/O BAR, one Mem64 BAR, and two Mem32 BARs (one of which must be the EROM space), the Root Port Model by default makes a check during device configuration that verifies that the core has been configured to meet this requirement. A violation of this check causes a warning message to be displayed as well as for the offending BAR to be gracefully disabled in the test bench. This

check can be disabled by setting the `pio_check_design` variable to zero in the `pci_exp_usrapp_tx.v` file.

Root Port Model TPI Task List

The Root Port Model TPI tasks include these tasks, which are further defined in these tables.

- [Table 7-12, Test Setup Tasks](#)
- [Table 7-13, TLP Tasks](#)
- [Table 7-14, BAR Initialization Tasks](#)
- [Table 7-15, Example PIO Design Tasks](#)
- [Table 7-16, Expectation Tasks](#)

Table 7-12: Test Setup Tasks

Name	Input(s)		Description
TSK_SYSTEM_INITIALIZATION	None		Waits for transaction interface reset and link-up between the Root Port Model and the Endpoint DUT. This task must be invoked prior to the Endpoint core initialization.
TSK_USR_DATA_SETUP_SEQ	None		Initializes global 4096 byte DATA_STORE array entries to sequential values from zero to 4095.
TSK_TX_CLK_EAT	clock count	31:30	Waits clock_count transaction interface clocks.
TSK_SIMULATION_TIMEOUT	timeout	31:0	Sets master simulation timeout value in units of transaction interface clocks. This task should be used to ensure that all DUT tests complete.

Table 7-13: TLP Tasks

Name	Input(s)		Description
TSK_TX_TYPE0_CONFIGURATION_READ	tag_ reg_addr_ first_dw_be_	7:0 11:0 3:0	Waits for transaction interface reset and link-up between the Root Port Model and the Endpoint DUT. This task must be invoked prior to Endpoint core initialization.
TSK_TX_TYPE1_CONFIGURATION_READ	tag_ reg_addr_ first_dw_be_	7:0 11:0 3:0	Sends a Type 1 PCI Express Config Read TLP from Root Port Model to reg_addr_ of Endpoint DUT with tag_ and first_dw_be_ inputs. CpID returned from the Endpoint DUT uses the contents of global COMPLETE_ID_CFG as the completion ID.

Table 7-13: TLP Tasks (Cont'd)

Name	Input(s)	Description
TSK_TX_TYPE0_CONFIGURATION_WRITE	tag_ reg_addr_ reg_data_ first_dw_be_	7:0 11:0 31:0 3:0 Sends a Type 0 PCI Express Config Write TLP from Root Port Model to reg_addr_ of Endpoint DUT with tag_ and first_dw_be_ inputs. Cpl returned from the Endpoint DUT uses the contents of global COMPLETE_ID_CFG as the completion ID.
TSK_TX_TYPE1_CONFIGURATION_WRITE	tag_ reg_addr_ reg_data_ first_dw_be_	7:0 11:0 31:0 3:0 Sends a Type 1 PCI Express Config Write TLP from Root Port Model to reg_addr_ of Endpoint DUT with tag_ and first_dw_be_ inputs. Cpl returned from the Endpoint DUT uses the contents of global COMPLETE_ID_CFG as the completion ID.
TSK_TX_MEMORY_READ_32	tag_ tc_ len_ addr_ last_dw_be_ first_dw_be_	7:0 2:0 9:0 31:0 3:0 3:0 Sends a PCI Express Memory Read TLP from Root Port to 32-bit memory address addr_ of Endpoint DUT. CplID returned from the Endpoint DUT uses the contents of global COMPLETE_ID_CFG as the completion ID.
TSK_TX_MEMORY_READ_64	tag_ tc_ len_ addr_ last_dw_be_ first_dw_be_	7:0 2:0 9:0 63:0 3:0 3:0 Sends a PCI Express Memory Read TLP from Root Port Model to 64-bit memory address addr_ of Endpoint DUT. CplID returned from the Endpoint DUT uses the contents of global COMPLETE_ID_CFG as the completion ID.
TSK_TX_MEMORY_WRITE_32	tag_ tc_ len_ addr_ last_dw_be_ first_dw_be_ ep_	7:0 2:0 9:0 31:0 3:0 3:0 - Sends a PCI Express Memory Write TLP from Root Port Model to 32-bit memory address addr_ of Endpoint DUT. CplID returned from the Endpoint DUT uses the contents of global COMPLETE_ID_CFG as the completion ID. The global DATA_STORE byte array is used to pass write data to task.
TSK_TX_MEMORY_WRITE_64	tag_ tc_ len_ addr_ last_dw_be_ first_dw_be_ ep_	7:0 2:0 9:0 63:0 3:0 3:0 - Sends a PCI Express Memory Write TLP from Root Port Model to 64-bit memory address addr_ of Endpoint DUT. CplID returned from the Endpoint DUT uses the contents of global COMPLETE_ID_CFG as the completion ID. The global DATA_STORE byte array is used to pass write data to task.
TSK_TX_COMPLETION	tag_ tc_ len_ comp_status_	7:0 2:0 9:0 2:0 Sends a PCI Express Completion TLP from Root Port Model to the Endpoint DUT using global COMPLETE_ID_CFG as the completion ID.

Table 7-13: TLP Tasks (Cont'd)

Name	Input(s)	Description
TSK_TX_COMPLETION_DATA	tag_ 7:0 tc_ 2:0 len_ 9:0 byte_count 11:0 lower_addr 6:0 comp_status 2:0 ep_ –	Sends a PCI Express Completion with Data TLP from Root Port Model to the Endpoint DUT using global COMPLETE_ID_CFG as the completion ID. The global DATA_STORE byte array is used to pass completion data to task.
TSK_TX_MESSAGE	tag_ 7:0 tc_ 2:0 len_ 9:0 data 63:0 message_rtg 2:0 message_code 7:0	Sends a PCI Express Message TLP from Root Port Model to Endpoint DUT. Completion returned from the Endpoint DUT uses the contents of global COMPLETE_ID_CFG as the completion ID.
TSK_TX_MESSAGE_DATA	tag_ 7:0 tc_ 2:0 len_ 9:0 data 63:0 message_rtg 2:0 message_code 7:0	Sends a PCI Express Message with Data TLP from Root Port Model to Endpoint DUT. The global DATA_STORE byte array is used to pass message data to task. Completion returned from the Endpoint DUT uses the contents of global COMPLETE_ID_CFG as the completion ID.
TSK_TX_IO_READ	tag_ 7:0 addr_ 31:0 first_dw_be_ 3:0	Sends a PCI Express I/O Read TLP from Root Port Model to I/O address addr_[31:2] of the Endpoint DUT. CpID returned from the Endpoint DUT uses the contents of global COMPLETE_ID_CFG as the completion ID.
TSK_TX_IO_WRITE	tag_ 7:0 addr_ 31:0 first_dw_be_ 3:0 data 31:0	Sends a PCI Express I/O Write TLP from Root Port Model to I/O address addr_[31:2] of the Endpoint DUT. CpID returned from the Endpoint DUT uses the contents of global COMPLETE_ID_CFG as the completion ID.
TSK_TX_BAR_READ	bar_index 2:0 byte_offset 31:0 tag_ 7:0 tc_ 2:0	Sends a PCI Express one DWORD Memory 32, Memory 64, or I/O Read TLP from the Root Port Model to the target address corresponding to offset byte_offset from BAR bar_index of the Endpoint DUT. This task sends the appropriate Read TLP based on how BAR bar_index has been configured during initialization. This task can only be called after TSK_BAR_INIT has successfully completed. CpID returned from the Endpoint DUT use the contents of global COMPLETE_ID_CFG as the completion ID.

Table 7-13: TLP Tasks (Cont'd)

Name	Input(s)		Description
TSK_TX_BAR_WRITE	bar_index byte_offset tag_ tc_ data_	2:0 31:0 7:0 2:0 31:0	<p>Sends a PCI Express one DWORD Memory 32, Memory 64, or I/O Write TLP from the Root Port to the target address corresponding to offset byte_offset from BAR bar_index of the Endpoint DUT.</p> <p>This task sends the appropriate Write TLP based on how BAR bar_index has been configured during initialization. This task can only be called after TSK_BAR_INIT has successfully completed.</p>
TSK_WAIT_FOR_READ_DATA	None		<p>Waits for the next completion with data TLP that was sent by the Endpoint DUT. On successful completion, the first DWORD of data from the CplD is stored in the global P_READ_DATA. This task should be called immediately following any of the read tasks in the TPI that request Completion with Data TLPs to avoid any race conditions.</p> <p>By default this task locally times out and terminates the simulation after 1000 transaction interface clocks. The global cpld_to_finish can be set to zero so that local time out returns execution to the calling test and does not result in simulation timeout. For this case test programs should check the global cpld_to, which when set to one indicates that this task has timed out and that the contents of P_READ_DATA are invalid.</p>

Table 7-14: BAR Initialization Tasks

Name	Input(s)	Description
TSK_BAR_INIT	None	<p>Performs a standard sequence of Base Address Register initialization tasks to the Endpoint device using the PCI Express fabric. Performs a scan of the Endpoint's PCI BAR range requirements, performs the necessary memory and I/O space mapping calculations, and finally programs the Endpoint so that it is ready to be accessed.</p> <p>On completion, the user test program can begin memory and I/O transactions to the device. This function displays to standard output a memory and I/O table that details how the Endpoint has been initialized. This task also initializes global variables within the Root Port Model that are available for test program usage. This task should only be called after TSK_SYSTEM_INITIALIZATION.</p>
TSK_BAR_SCAN	None	<p>Performs a sequence of PCI Type 0 Configuration Writes and Configuration Reads using the PCI Express logic to determine the memory and I/O requirements for the Endpoint.</p> <p>The task stores this information in the global array BAR_INIT_P_BAR_RANGE[]. This task should only be called after TSK_SYSTEM_INITIALIZATION.</p>
TSK_BUILD_PCIE_MAP	None	<p>Performs memory and I/O mapping algorithm and allocates Memory 32, Memory 64, and I/O space based on the Endpoint requirements.</p> <p>This task has been customized to work in conjunction with the limitations of the PIO design and should only be called after completion of TSK_BAR_SCAN.</p>
TSK_DISPLAY_PCIE_MAP	None	<p>Displays the memory mapping information of the Endpoint core's PCI Base Address Registers. For each BAR, the BAR value, the BAR range, and BAR type is given. This task should only be called after completion of TSK_BUILD_PCIE_MAP.</p>

Table 7-15: Example PIO Design Tasks

Name	Input(s)		Description
TSK_TX_READBACK_CONFIG	None		Performs a sequence of PCI Type 0 Configuration Reads to the Endpoint device's Base Address Registers, PCI Command Register, and PCIe Device Control Register using the PCI Express logic. This task should only be called after TSK_SYSTEM_INITIALIZATION.
TSK_MEM_TEST_DATA_BUS	bar_index	2:0	Tests whether the PIO design FPGA block RAM data bus interface is correctly connected by performing a 32-bit walking ones data test to the I/O or memory address pointed to by the input bar_index. For an exhaustive test, this task should be called four times, once for each block RAM used in the PIO design.
TSK_MEM_TEST_ADDR_BUS	bar_index nBytes	2:0 31:0	Tests whether the PIO design FPGA block RAM address bus interface is accurately connected by performing a walking ones address test starting at the I/O or memory address pointed to by the input bar_index. For an exhaustive test, this task should be called four times, once for each block RAM used in the PIO design. Additionally, the nBytes input should specify the entire size of the individual block RAM.
TSK_MEM_TEST_DEVICE	bar_index nBytes	2:0 31:0	Tests the integrity of each bit of the PIO design FPGA block RAM by performing an increment/decrement test on all bits starting at the block RAM pointed to by the input bar_index with the range specified by input nBytes. For an exhaustive test, this task should be called four times, once for each block RAM used in the PIO design. Additionally, the nBytes input should specify the entire size of the individual block RAM.

Table 7-16: Expectation Tasks

Name	Input(s)		Output	Description
TSK_EXPECT_CPLD	traffic_class td ep attr length completer_id completer_status bcm byte_count requester_id tag address_low	2:0 - - 1:0 9:0 15:0 2:0 - 11:0 15:0 7:0 6:0	Expect status	Waits for a Completion with Data TLP that matches traffic_class, td, ep, attr, length, and payload. Returns a 1 on successful completion; 0 otherwise.
TSK_EXPECT_CPL	traffic_class td ep attr completer_id completer_status bcm byte_count requester_id tag address_low	2:0 - - 1:0 15:0 2:0 - 11:0 15:0 7:0 6:0	Expect status	Waits for a Completion without Data TLP that matches traffic_class, td, ep, attr, and length. Returns a 1 on successful completion; 0 otherwise.
TSK_EXPECT_MEMRD	traffic_class td ep attr length requester_id tag last_dw_be first_dw_be address	2:0 - - 1:0 9:0 15:0 7:0 3:0 3:0 29:0	Expect status	Waits for a 32-bit Address Memory Read TLP with matching header fields. Returns a 1 on successful completion; 0 otherwise. This task can only be used in conjunction with Bus Master designs.
TSK_EXPECT_MEMRD64	traffic_class td ep attr length requester_id tag last_dw_be first_dw_be address	2:0 - - 1:0 9:0 15:0 7:0 3:0 3:0 61:0	Expect status	Waits for a 64-bit Address Memory Read TLP with matching header fields. Returns a 1 on successful completion; 0 otherwise. This task can only be used in conjunction with Bus Master designs.

Table 7-16: Expectation Tasks (Cont'd)

Name	Input(s)	Output	Description
TSK_EXPECT_MEMWR	traffic_class td ep attr length requester_id tag last_dw_be first_dw_be address	2:0 - - 1:0 9:0 15:0 7:0 3:0 3:0 29:0	Expect status Waits for a 32-bit Address Memory Write TLP with matching header fields. Returns a 1 on successful completion; 0 otherwise. This task can only be used in conjunction with Bus Master designs.
TSK_EXPECT_MEMWR64	traffic_class td ep attr length requester_id tag last_dw_be first_dw_be address	2:0 - - 1:0 9:0 15:0 7:0 3:0 3:0 61:0	Expect status Waits for a 64-bit Address Memory Write TLP with matching header fields. Returns a 1 on successful completion; 0 otherwise. This task can only be used in conjunction with Bus Master designs.
TSK_EXPECT_IOWR	td ep requester_id tag first_dw_be address data	- - 15:0 7:0 3:0 31:0 31:0	Expect status Waits for an I/O Write TLP with matching header fields. Returns a 1 on successful completion; 0 otherwise. This task can only be used in conjunction with Bus Master designs.

Example Design and Model Test Bench for Root Port Configuration

Configurator Example Design

The Configurator example design, included with the Xilinx® 7 Series FPGAs Integrated Block for PCI Express® in Root Port configuration generated by the Vivado™ IP catalog tool, is a synthesizable, lightweight design that demonstrates the minimum setup required for the integrated block in Root Port configuration to begin application-level transactions with an Endpoint.

System Overview

PCI Express devices require setup after power-on, before devices in the system can begin application specific communication with each other. Minimally, two devices connected via a PCI Express Link must have their Configuration spaces initialized and be enumerated to communicate.

Root Ports facilitate PCI Express enumeration and configuration by sending Configuration Read (CfgRd) and Write (CfgWr) TLPs to the downstream devices such as Endpoints and Switches to set up the configuration spaces of those devices. When this process is complete, higher-level interactions, such as Memory Reads (MemRd TLPs) and Writes (MemWr TLPs), can occur within the PCI Express System.

The Configurator example design described herein performs the configuration transactions required to enumerate and configure the Configuration space of a single connected PCI Express Endpoint and allow application-specific interactions to occur.

Configurator Example Design Hardware

The Configurator example design consists of four high-level blocks:

- **Root Port:** The 7 series FPGAs integrated block in Root Port configuration.
- **Configurator Block:** Logical block which interacts with the configuration space of a PCI Express Endpoint device connected to the Root Port.

- **Configurator ROM:** Read-only memory that sources configuration transactions to the Configurator Block.
- **PIO Master:** Logical block which interacts with the user logic connected to the Endpoint by exchanging data packets and checking the validity of the received data. The data packets are limited to a single DWORD and represent the type of traffic that would be generated by a CPU.

Note: The Configurator Block and Configurator ROM, and Root Port are logically grouped in the RTL code within a wrapper file called the Configurator Wrapper.

The Configurator example design, as delivered, is designed to be used with the PIO Slave example included with Xilinx Endpoint cores and described in [Chapter 7, Example Design and Model Test Bench for Endpoint Configuration](#). The PIO Master is useful for simple bring-up and debugging, and is an example of how to interact with the Configurator Wrapper. The Configurator example design can be modified to be used with other Endpoints.

Figure 8-1 shows the various components of the Configurator example design.

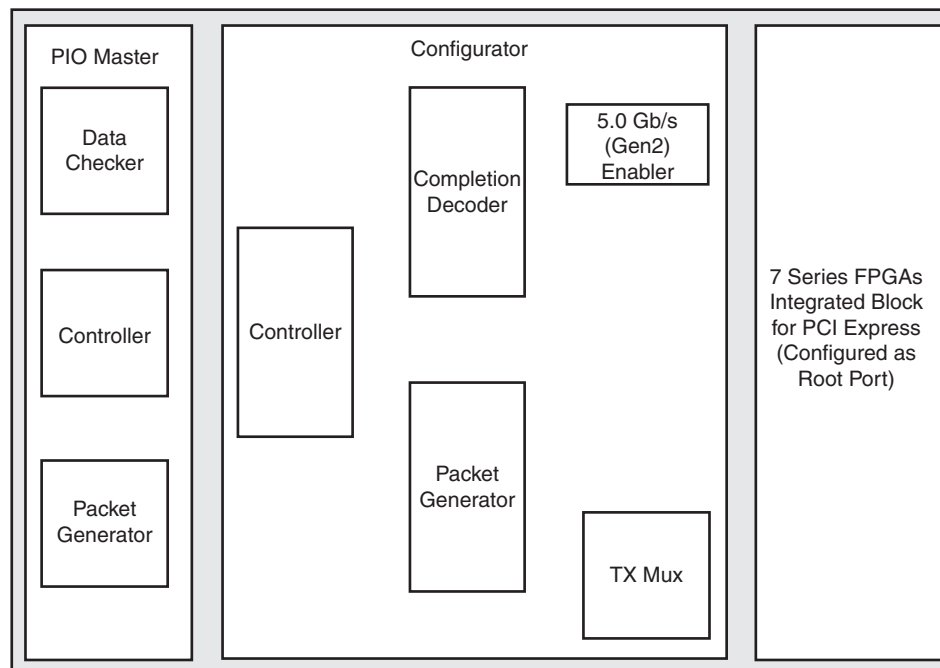


Figure 8-1: Configurator Example Design Components

Figure 8-2 shows how the blocks are connected in an overall system view.

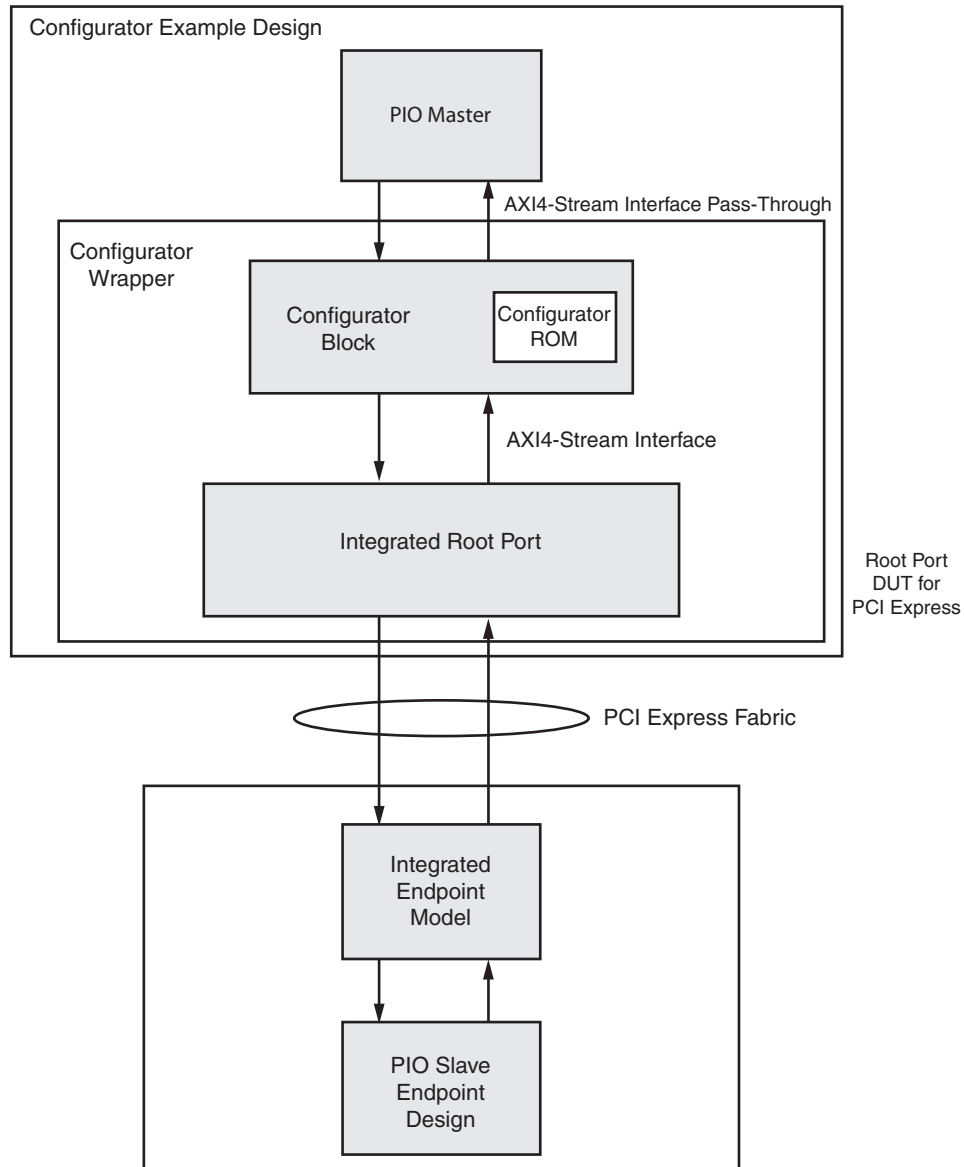


Figure 8-2: Configurator Example Design

Configurator Block

The Configurator Block generates CfgRd and CfgWr TLPs and presents them to the AXI4-Stream interface of the integrated block in Root Port configuration. The TLPs that the Configurator Block generates are determined by the contents of the Configurator ROM.

The generated configuration traffic is predetermined by the designer to address their particular system requirements. The configuration traffic is encoded in a memory-initialization file (the Configurator ROM) which is synthesized as part of the Configurator. The Configurator Block and the attached Configurator ROM is intended to be usable a part of a real-world embedded design.

The Configurator Block steps through the Configuration ROM file and sends the TLPs specified therein. Supported TLP types are Message, Message w/Data, Configuration Write (Type 0), and Configuration Read (Type 0). For the Configuration packets, the Configurator Block waits for a Completion to be returned before transmitting the next TLP. If the Completion TLP fields do not match the expected values, PCI Express configuration fails. However, the Data field of Completion TLPs is ignored and not checked

Note: There is no completion timeout mechanism in the Configurator Block, so if no Completion is returned, the Configurator Block waits forever.

The Configurator Block has these parameters, which you can alter:

- **TCQ:** Clock-to-out delay modeled by all registers in design.
- **EXTRA_PIPELINE:** Controls insertion of an extra pipeline stage on the Receive AXI4-Stream interface for timing.
- **ROM_FILE:** File name containing configuration steps to perform.
- **ROM_SIZE:** Number of lines in ROM_FILE containing data (equals number of TLPs to send/2).
- **REQUESTER_ID:** Value for the Requester ID field in outgoing TLPs.

When the Configurator Block design is used, all TLP traffic must pass through the Configurator Block. The user design is responsible for asserting the start_config input (for one clock cycle) to initiate the configuration process when user_lnk_up has been asserted by the core. Following start_config, the Configurator Block performs whatever configuration steps have been specified in the Configuration ROM. During configuration, the Configurator Block controls the core's AXI4-Stream interface. Following configuration, all AXI4-Stream traffic is routed to/from the User Application, which in the case of this example design is the PIO Master. The end of configuration is signaled by the assertion of finished_config. If configuration is unsuccessful for some reason, failed_config is also asserted.

If used in a system that supports PCIe v2.1 5.0 Gb/s links, the Configurator Block begins its process by attempting to up-train the link from 2.5 Gb/s to 5.0 Gb/s. This feature is enabled depending on the LINK_CAP_MAX_LINK_SPEED parameter on the Configurator Wrapper.

The Configurator does not support the user throttling received data on the Receive AXI4-Stream interface. Because of this, the Root Port inputs which control throttling are not included on the Configurator Wrapper. These signals are m_axis_rx_tready and rx_np_ok. This is a limitation of the Configurator Example Design and not of the Integrated Block for PCI Express in Root Port configuration. This means that the user design interfacing with the Configurator Example Design must be able to accept received data at line rate.

Configurator ROM

The Configurator ROM stores the necessary configuration transactions to configure a PCI Express Endpoint. This ROM interfaces with the Configurator Block to send these transactions over the PCI Express link.

The example ROM file included with this design shows the operations needed to configure a 7 Series FPGAs Integrated Endpoint Block for PCI Express and PIO Example Design.

The Configurator ROM can be customized for other Endpoints and PCI Express system topologies. The unique set of configuration transactions required depends on the Endpoint that interacts with the Root Port. This information can be obtained from the documentation provided with the Endpoint.

The ROM file follows the format specified in the Verilog specification (IEEE 1364-2001) section 17.2.8, which describes using the \$readmemb function to pre-load data into a RAM or ROM. Verilog-style comments are allowed.

The file is read by the simulator or synthesis tool and each memory value encountered is used as a single location in memory. Digits can be separated by an underscore character (_) for clarity without constituting a new location.

Each configuration transaction specified uses two adjacent memory locations - the first location specifies the header fields, while the second location specifies the 32-bit data payload. (For CfgRd TLPs and Messages without data, the data location is unused but still present.) In other words, header fields are on even addresses, while data payloads are on odd addresses.

For headers, Messages and CfgRd/CfgWr TLPs use different fields. For all TLPs, two bits specify the TLP type. For Messages, Message Routing and Message Code are specified. For CfgRd/CfgWr TLPs, Function Number, Register Number, and 1st DWORD Byte-Enable are specified. The specific bit layout is shown in the example ROM file.

PIO Master

The PIO Master demonstrates how a user-application design might interact with the Configurator Block. It directs the Configurator Block to bring up the link partner at the appropriate time, and then (after successful bring-up) generates and consumes bus traffic. The PIO Master performs writes and reads across the PCI Express Link to the PIO Slave Example Design (from the Endpoint core) to confirm basic operation of the link and the Endpoint.

The PIO Master waits until user_Ink_up is asserted by the Root Port. It then asserts start_config to the Configurator Block. When the Configurator Block asserts finished_config, the PIO Master writes and reads to/from each BAR in the PIO Slave design. If the readback data matches what was written, the PIO Master asserts its pio_test_finished output. If there is a data mismatch or the Configurator Block fails to

configure the Endpoint, the PIO Master asserts its `pio_test_failed` output. The PIO Master's operation can be restarted by asserting its `pio_test_restart` input for one clock cycle.

Configurator File Structure

Table 8-1 defines the Configurator example design file structure.

Table 8-1: Example Design File Structure

File	Description
<code>xilinx_pcie_2_1_rport_7x.v</code>	Top-level wrapper file for Configurator example design
<code>cgator_wrapper.v</code>	Wrapper for Configurator and Root Port
<code>cgator.v</code>	Wrapper for Configurator sub-blocks
<code>cgator_cpl_decoder.v</code>	Completion decoder
<code>cgator_pkt_generator.v</code>	Configuration TLP generator
<code>cgator_tx_mux.v</code>	Transmit AXI4-Stream muxing logic
<code>cgator_gen2_enabler.v</code>	5.0 Gb/s directed speed change module
<code>cgator_controller.v</code>	Configurator transmit engine
<code>cgator_cfg_rom.data</code>	Configurator ROM file
<code>pio_master.v</code>	Wrapper for PIO Master
<code>pio_master_controller.v</code>	TX and RX Engine for PIO Master
<code>pio_master_checker.v</code>	Checks incoming User-Application Completion TLPs
<code>pio_master_pkt_generator.v</code>	Generates User-Application TLPs

The hierarchy of the Configurator example design is:

- `xilinx_pcie_2_1_rport_7x`
 - `cgator_wrapper`
 - `pcie_2_1_rport_7x` (in the source directory)
This directory contains all the source files for the Integrated Block for PCI Express in Root Port Configuration.
 - `cgator`
 - `cgator_cpl_decoder`
 - `cgator_pkt_generator`
 - `cgator_tx_mux`
 - `cgator_gen2_enabler`
 - `cgator_controller`
This directory contains `<cgator_cfg_rom.data>` (specified by `ROM_FILE`)*

- pio_master
 - pio_master_controller
 - pio_master_checker
 - pio_master_pkt_generator

Note: `cgator_cfg_rom.data` is the default name of the ROM data file. You can override this by changing the value of the `ROM_FILE` parameter.

Configurator Example Design Summary

The Configurator example design is a synthesizable design that demonstrates the capabilities of the 7 Series FPGAs Integrated Block for PCI Express when configured as a Root Port. The example is provided via the IP catalog tool and uses the Endpoint PIO example as a target for PCI Express enumeration and configuration. The design can be modified to target other Endpoints by changing the contents of a ROM file.

Endpoint Model Test Bench for Root Port

The Endpoint model test bench for the 7 Series FPGAs Integrated Block for PCI Express in Root Port configuration is a simple example test bench that connects the Configurator example design and the PCI Express Endpoint model allowing the two to operate like two devices in a physical system. As the Configurator example design consists of logic that initializes itself and generates and consumes bus traffic, the example test bench only implements logic to monitor the operation of the system and terminate the simulation.

The Endpoint model test bench consists of:

- Verilog or VHDL source code for all Endpoint model components
- PIO slave design

[Figure 8-2, page 302](#) illustrates the Endpoint model coupled with the Configurator example design.

Architecture

The Endpoint model consists of these blocks:

- PCI Express Endpoint (7 Series FPGAs Integrated Block for PCI Express in Endpoint configuration) model.
- PIO slave design, consisting of:
 - PIO_RX_ENGINE

- PIO_TX_ENGINE
- PIO_EP_MEM
- PIO_TO_CTRL

The PIO_RX_ENGINE and PIO_TX_ENGINE blocks interface with the ep block for reception and transmission of TLPs from/to the Root Port Design Under Test (DUT). The Root Port DUT consists of the Integrated Block for PCI Express configured as a Root Port and the Configurator Example Design, which consists of a Configurator block and a PIO Master design, or customer design.

The PIO slave design is described in detail in [Programmed Input/Output: Endpoint Example Design, page 269](#).

Simulating the Design

Three simulation script files are provided with the model to facilitate simulation with Synopsys VCS and VCS MX, Cadence IES, and Mentor Graphics ModelSim simulators:

- `simulate_vcs.sh` (Verilog only)
- `simulate_ncsim.sh` (Verilog only)
- `simulate_mti.do`

The example simulation script files are located in this directory:

```
<component_name_#>/<component_name_#>/simulation/functional
```

Instructions for simulating the Configurator example design with the Endpoint model are provided in [Chapter 6, Getting Started Example Design](#).

Note: For Cadence IES users, the work construct must be manually inserted into the `cds.lib` file: `DEFINE WORK WORK`.

Scaled Simulation Timeouts

The simulation model of the 7 Series FPGAs Integrated Block for PCI Express uses scaled down times during link training to allow for the link to train in a reasonable amount of time during simulation. According to the *PCI Express Specification, rev. 2.1* [Ref 2], there are various timeouts associated with the link training and status state machine (LTSSM) states. The 7 Series FPGAs Integrated Block for PCI Express scales these timeouts by a factor of 256 in simulation, except in the Recovery Speed_1 LTSSM state, where the timeouts are not scaled.

Waveform Dumping

Table 8-2 describes the available simulator waveform dump file formats, each of which is provided in the simulators native file format. The same mechanism is used for VCS and ModelSim.

Table 8-2: Simulator Dump File Format

Simulator	Dump File Format
Synopsys VCS and VCS MX	.vpd
ModelSim	.vcd
ISim	.wdb
Cadence IES	.trn

The Endpoint model test bench provides a mechanism for outputting the simulation waveform to file by specifying the `+dump_all` command line parameter to the simulator.

For example, the script file `simulate_ncsim.sh` (used to start the Cadence IES simulator) can indicate to the Endpoint model that the waveform should be saved to a file using this command line:

```
ncsim work.boardx01 +dump_all
```

Output Logging

The test bench outputs messages, captured in the simulation log, indicating the time at which these occur:

- `user_reset` deasserted
- `user_lnk_up` asserted
- `cfg_done` asserted by the Configurator
- `pio_test_finished` asserted by the PIO Master
- Simulation Timeout (if `pio_test_finished` or `pio_test_failed` never asserted)

PIPE Mode Simulations

The PIPE Simulation mode allows you to run the simulations without GT block to speed up simulations.

To run the simulations using the PIPE interface to speed up the simulation, generate the core using the Enable PIPE Simulation option as shown on the Basic page of GUI. In this mode the PIPE interface of the core top module, the PCIe example design is connected to PIPE interface of the model. This feature is available only for a Verilog version of the core.



IMPORTANT: A new `<component_name>_gt_top_pipe.v` file is created in the source directory and replaces GT block for PIPE mode simulation.

To run the simulations using GT block using the same core, pass the define ENABLE_GT during run time so that the original GT block is instantiated in the core top module and simulations are run using the GT block. Comments are included in the simulation scripts to define which parameters need to be passed in order to run the simulations using GT block. The comment needs to be removed to run the simulations in GT mode.



TIP: Implementation is always run with the GT block. The PIPE mode is only for simulations.

SECTION III: ISE DESIGN SUITE

Customizing and Generating the Core

Constraining the Core

Example Design

Example Design and Model Test Bench for
Endpoint Configuration

Example Design and Model Test Bench for Root
Port Configuration

PIPE Mode Simulations

Customizing and Generating the Core

This chapter includes information on using the ISE Design Suite to customize and generate the Xilinx® 7 Series FPGAs Integrated Block for PCI Express® core. The 7 Series FPGAs Integrated Block for PCI Express is customized using the CORE Generator™ tool.

Note: The screen captures in this chapter are conceptual representatives of their subjects and provide general information only. For the latest information, see the CORE Generator tool.

GUI

The CORE Generator tool GUI for the 7 Series FPGAs Integrated Block for PCI Express consists of 12 screens:

- Screen 1: [Basic Parameter Settings](#)
- Screen 2: [Base Address Registers](#)
- Screen 3: [PCI Registers](#)
- Screens 4 and 5: [Configuration Register Settings](#)
- Screen 6: [Interrupt Capabilities](#)
- Screen 7: [Power Management Registers](#)
- Screen 8 and 9: [PCI Express Extended Capabilities](#)
- Screen 10: [Pinout Selection](#)
- Screens 11 and 12: [Advanced Settings](#)

Basic Parameter Settings

The initial customization screen shown in [Figure 10-1](#) is used to define the basic parameters for the core, including the component name, lane width, and link speed.

Documents

7 Series Integrated Block for PCI Express xilinx.com:ip:pcie_7x:1.2

Component Name | pcie_7x_v1_2

PCIe Device / Port Type

The Integrated Block for PCI Express allows selection of the Device / Port Type

Device / Port Type | PCI Express Endpoint device

Number of Lanes

The Integrated Block for PCI Express requires that an initial lane width be selected. Wider lane width cores can train down to smaller lane widths if attached to a smaller lane width device. Select only the lane width that is necessary for the design.

Lane Width | X1

Link Speed

The Integrated Block for PCI Express allows selection of the Maximum Link Speed supported by the device.

2.5 GT/s

5.0 GT/s

Interface Width

The Integrated Block for PCI Express allows selection of Interface Width

64-bit

128-bit

Interface Frequency

The Integrated Block for PCI Express allows selection of the interface clock (trn_clk) frequency. The frequency selection enables maximum achievable data throughput for the selected number of lanes and link speed. Choice of non-default option results in interface being overclocked with no overall effect on data throughput, and depends on user application functional requirements, timing closure and power considerations. Xilinx recommends that the default frequency value be used where possible..

Frequency (MHz) | 62.5

Datasheet | < Back | Page 1 of 12 | Next > | Generate | Cancel | Help

Figure 10-1: Screen 1: Integrated Block for PCI Express Parameters

Component Name

Base name of the output files generated for the core. The name must begin with a letter and can be composed of these characters: a to z, 0 to 9, and "_."

PCIe Device / Port Type

Indicates the PCI Express logical device type.

Number of Lanes

You must select the initial lane width. [Table 10-1](#) defines the available widths and associated generated core. Wider lane width cores are capable of training down to smaller lane widths if attached to a smaller lane-width device. See [Link Training: 2-Lane, 4-Lane, and 8-Lane Components, page 147](#) for more information.

Table 10-1: Lane Width and Product Generated

Lane Width	Product Generated
x1	1-Lane 7 Series FPGAs Integrated Block for PCI Express
x2	2-Lane 7 Series FPGAs Integrated Block for PCI Express
x4	4-Lane 7 Series FPGAs Integrated Block for PCI Express
x8	8-Lane 7 Series FPGAs Integrated Block for PCI Express

Link Speed

You must select the selection of Maximum Link Speed supported by the device. [Table 10-2](#) defines the lane widths and link speeds supported by the device. Higher link speed cores are capable of training to a lower link speed if connected to a lower link speed capable device.

Table 10-2: Lane Width and Link Speed

Lane Width	Link Speed
x1	2.5 Gb/s, 5 Gb/s
x2	2.5 Gb/s, 5 Gb/s
x4	2.5 Gb/s, 5 Gb/s
x8	2.5 Gb/s, 5 Gb/s

Interface Width

The 7 Series FPGAs Integrated Block for PCI Express allows the selection of Interface Width, as defined in [Table 10-3](#). The default interface width set in the CORE Generator GUI is the lowest possible interface width.

Table 10-3: Lane Width, Link Speed, and Interface Width

Lane Width	Link Speed (Gb/s)	Interface Width (Bits)
X1	2.5, 5.0	64
X2	2.5, 5.0	64
X4	2.5	64
X4	5.0	64, 128
X8	2.5	64, 128
X8	5.0	128

Interface Frequency

It is possible to select the clock frequency of the core's user interface. Each lane width provides multiple frequency choices: a default frequency and alternative frequencies, as defined in [Table 10-4](#).



RECOMMENDED: Where possible, use the default frequency. Selecting the alternate frequencies does not result in a difference in throughput in the core, but does allow the user application to run at an alternate speed.

Table 10-4: Recommended and Optional Transaction Clock (user_clk_out) Frequencies

Product	Link Speed (Gb/s)	Interface Width ⁽¹⁾ (Bits)	Recommended Frequency (MHz)	Optional Frequency (MHz)
1-lane	2.5	64	62.5	31.25, 125, 250
1-lane	5	64	62.5	125, 250
2-lane	2.5	64	62.5	125, 250
2-lane	5	64	125	250
4-lane	2.5	64	125	250
4-lane	5	64	250	-
4-lane	5	128	125	250
8-lane	2.5	64	250	-
8-lane	2.5	128	125	250
8-lane	5	128	250	-

Notes:

1. Interface Width is a static selection and does not change with dynamic Link Speed changes

Base Address Registers

The Base Address Register (BAR) screen shown in [Figure 10-2](#) sets the base address register space for the Endpoint configuration. Each BAR (0 through 5) represents a 32-bit parameter.

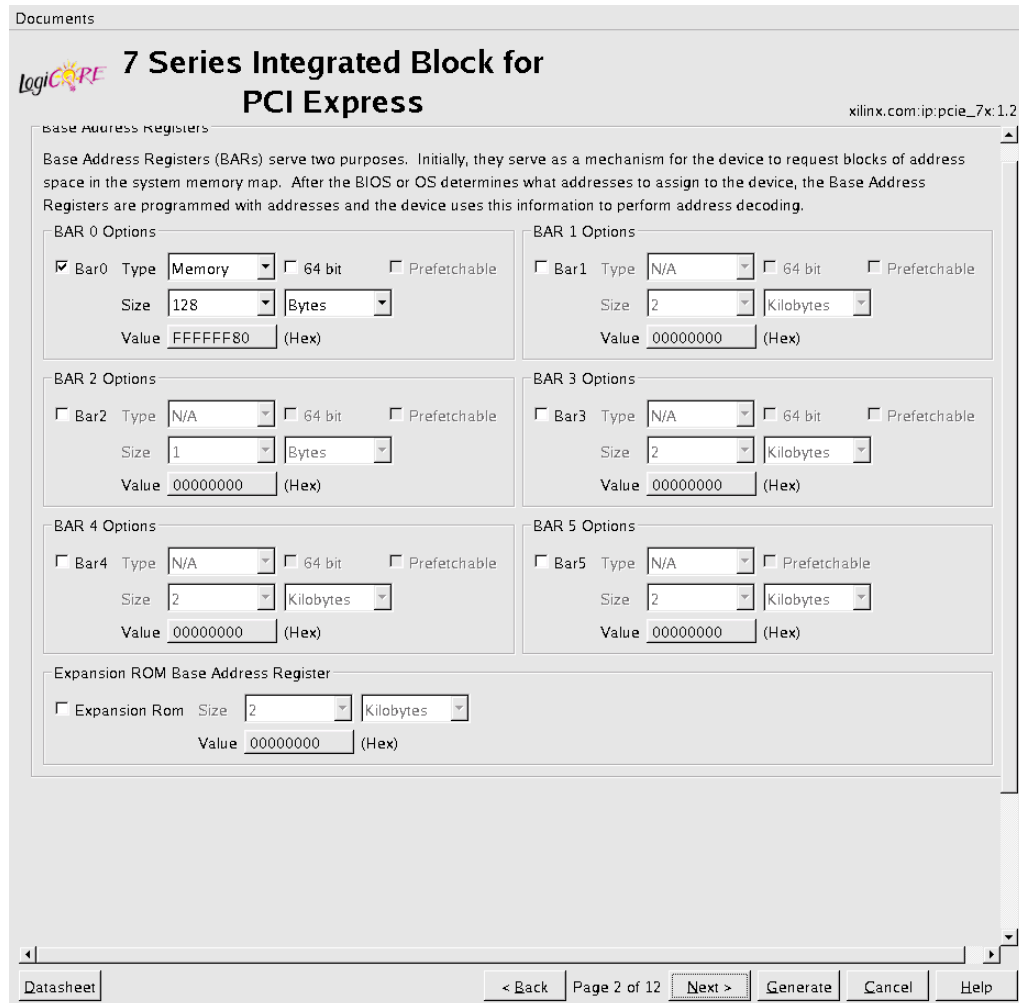


Figure 10-2: Screen 2: BAR Options - Endpoint

Base Address Register Overview

The 7 Series FPGAs Integrated Block for PCI Express in Endpoint configuration supports up to six 32-bit BARs or three 64-bit BARs, and the Expansion ROM BAR. The 7 Series FPGAs Integrated Block for PCI Express in Root Port configuration supports up to two 32-bit BARs or one 64-bit BAR, and the Expansion ROM BAR.

BARs can be one of two sizes:

- **32-bit BARs:** The address space can be as small as 16 bytes or as large as 2 gigabytes. Used for Memory to I/O.
- **64-bit BARs:** The address space can be as small as 128 bytes or as large as 8 exabytes. Used for Memory only.

All BAR registers share these options:

- **Checkbox:** Click the checkbox to enable the BAR; deselect the checkbox to disable the BAR.
- **Type:** BARs can either be I/O or Memory.
 - *I/O:* I/O BARs can only be 32-bit; the Prefetchable option does not apply to I/O BARs. I/O BARs are only enabled for the Legacy PCI Express Endpoint core.
 - *Memory:* Memory BARs can be either 64-bit or 32-bit and can be prefetchable. When a BAR is set as 64 bits, it uses the next BAR for the extended address space and makes the next BAR inaccessible to the user.
- **Size:** The available size range depends on the PCIe® Device/Port Type and the Type of BAR selected. [Table 10-5](#) lists the available BAR size ranges.

Table 10-5: BAR Size Ranges for Device Configuration

PCIe Device / Port Type	BAR Type	BAR Size Range
PCI Express Endpoint	32-bit Memory	128 Bytes – 2 Gigabytes
	64-bit Memory	128 Bytes – 8 Exabytes
Legacy PCI Express Endpoint	32-bit Memory	16 Bytes – 2 Gigabytes
	64-bit Memory	16 Bytes – 8 Exabytes
	I/O	16 Bytes – 2 Gigabytes

- **Prefetchable:** Identifies the ability of the memory space to be prefetched.
- **Value:** The value assigned to the BAR based on the current selections.

For more information about managing the Base Address Register settings, see [Managing Base Address Register Settings](#).

Expansion ROM Base Address Register

If selected, the Expansion ROM is activated and can be a value from 2 KB to 4 GB. According to the *PCI 3.0 Local Bus Specification* [Ref 2], the maximum size for the Expansion ROM BAR should be no larger than 16 MB. Selecting an address space larger than 16 MB might result in a non-compliant core.

Managing Base Address Register Settings

Memory, I/O, Type, and Prefetchable settings are handled by setting the appropriate GUI settings for the desired base address register.

Memory or I/O settings indicate whether the address space is defined as memory or I/O. The base address register only responds to commands that access the specified address space. Generally, memory spaces less than 4 KB in size should be avoided. The minimum I/O space allowed is 16 bytes; use of I/O space should be avoided in all new designs.

Prefetchability is the ability of memory space to be prefetched. A memory space is prefetchable if there are no side effects on reads (that is, data is not destroyed by reading, as from a RAM). Byte write operations can be merged into a single double word write, when applicable.

When configuring the core as an Endpoint for PCIe (non-Legacy), 64-bit addressing must be supported for all BARs (except BAR5) that have the prefetchable bit set. 32-bit addressing is permitted for all BARs that do not have the prefetchable bit set. The prefetchable bit related requirement does not apply to a Legacy Endpoint. The minimum memory address range supported by a BAR is 128 bytes for a PCI Express Endpoint and 16 bytes for a Legacy PCI Express Endpoint.

Disabling Unused Resources

For best results, disable unused base address registers to conserve system resources. A base address register is disabled by deselecting unused BARs in the GUI.

PCI Registers

The PCI Registers screen shown in [Figure 10-3](#) is used to customize the IP initial values, class code, and Cardbus CIS pointer information.

Documents

LogiCORE 7 Series Integrated Block for PCI Express xilinx.com/ip/pcie_7x:1.2

ID Initial Values

Vendor ID Range: 0000..FFFF

Device ID Range: 0000..FFFF

Revision ID Range: 00..FF

Subsystem Vendor ID Range: 0000..FFFF

Subsystem ID Range: 0000..FFFF

Class Code

Base Class Range: 00..FF

Sub-Class Range: 00..FF

Interface Range: 00..FF

Class Code (Hex)

Class Code Lookup Assistant

Must enter values above.

Base Class

Base Class

Sub-Class/Interface Value

Sub-Class

Interface

Cardbus CIS Pointer

Cardbus CIS Pointer Range: 00000000..FFFFFFFF

Datasheet < Back Page 3 of 12 Next > Generate Cancel Help

Figure 10-3: Screen 3: PCI Registers

ID Initial Values

- **Vendor ID:** Identifies the manufacturer of the device or application. Valid identifiers are assigned by the PCI Special Interest Group to guarantee that each identifier is unique. The default value, 10EEh, is the Vendor ID for Xilinx. Enter a vendor identification number here. FFFFh is reserved.
- **Device ID:** A unique identifier for the application; the default value, which depends on the configuration selected, is 70<link speed> <link width>h. This field can be any value; change this value for the application.
- **Revision ID:** Indicates the revision of the device or application; an extension of the Device ID. The default value is 00h; enter values appropriate for the application.
- **Subsystem Vendor ID:** Further qualifies the manufacturer of the device or application. Enter a Subsystem Vendor ID here; the default value is 10EE. Typically, this value is the same as Vendor ID. Setting the value to 0000h can cause compliance testing issues.

- **Subsystem ID:** Further qualifies the manufacturer of the device or application. This value is typically the same as the Device ID; the default value depends on the lane width and link speed selected. Setting the value to 0000h can cause compliance testing issues.

Class Code

The Class Code identifies the general function of a device, and is divided into three byte-size fields:

- **Base Class:** Broadly identifies the type of function performed by the device.
- **Sub-Class:** More specifically identifies the device function.
- **Interface:** Defines a specific register-level programming interface, if any, allowing device-independent software to interface with the device.

Class code encoding can be found at www.pcisig.com.

Class Code Look-up Assistant

The Class Code Look-up Assistant provides the Base Class, Sub-Class and Interface values for a selected general function of a device. This Look-up Assistant tool only displays the three values for a selected function. The user must enter the values in **Class Code** for these values to be translated into device settings.

Cardbus CIS Pointer

Used in cardbus systems and points to the Card Information Structure for the cardbus card. If this field is non-zero, an appropriate Card Information Structure must exist in the correct location. The default value is 0000_0000h; the value range is 0000_0000h-FFFF_FFFFh.

Configuration Register Settings

The Configuration Registers screens shown in [Figure 10-4](#) and [Figure 10-5](#) show the options for the Device Capabilities and Device Capabilities2 Registers, the Block RAM Configuration Options, the Link Capabilities Register, Link Control2 Register, and the Link Status Register.

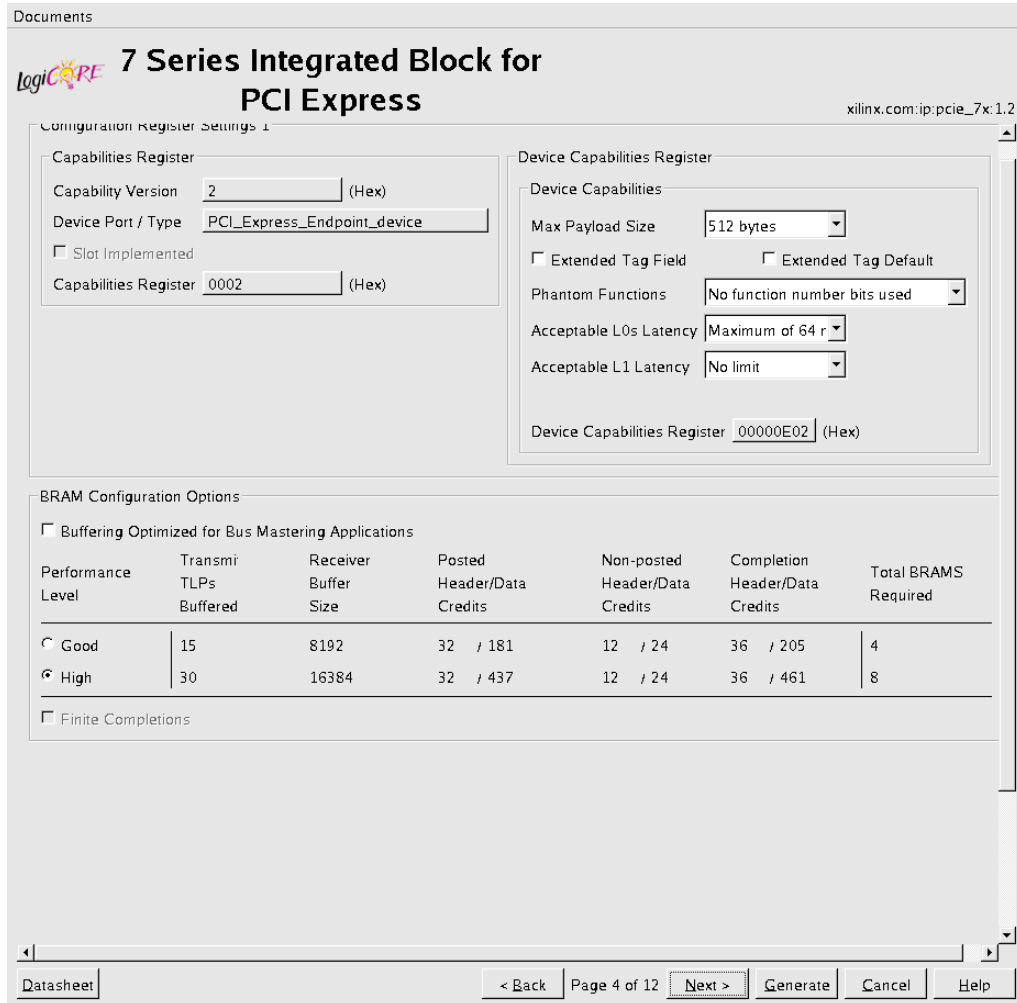


Figure 10-4: Screen 4: Configuration Register Settings 1

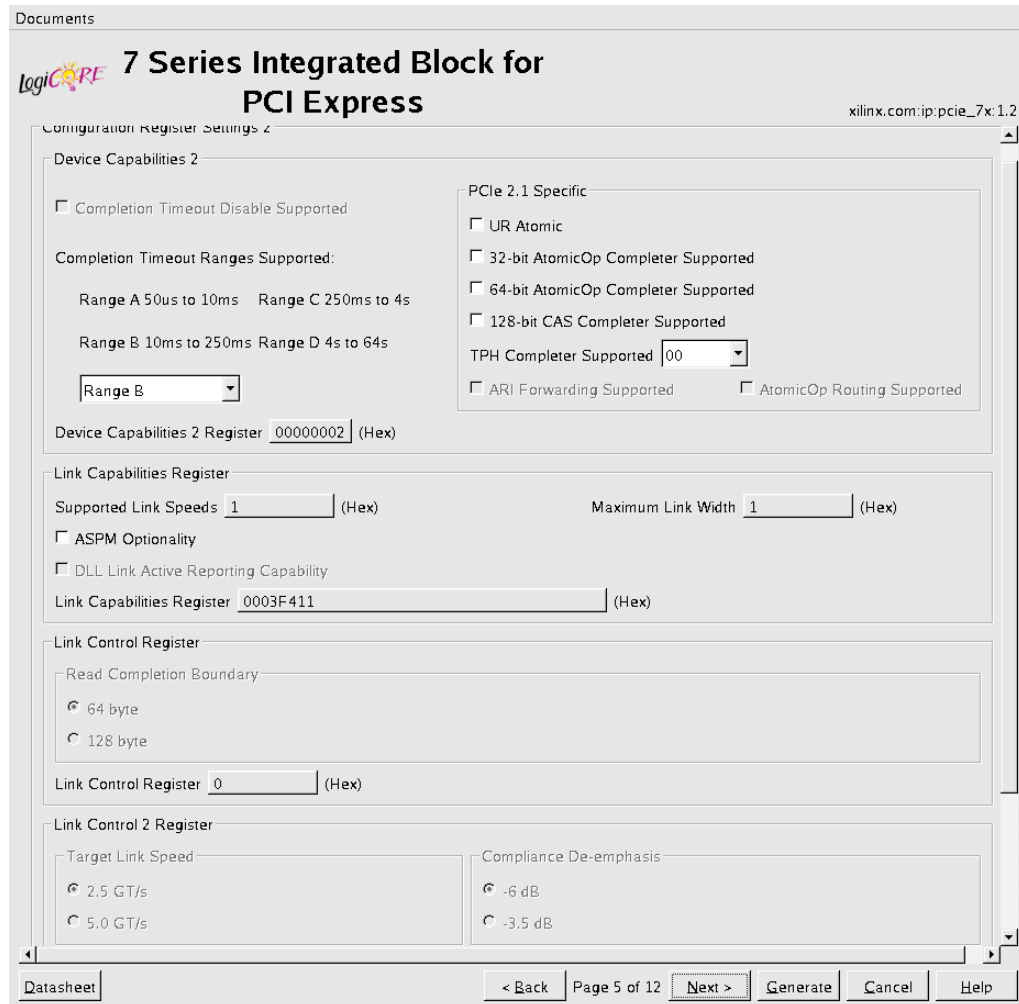


Figure 10-5: Screen 5: Configuration Settings

Capabilities Register

- **Capability Version:** Indicates the PCI-SIG defined PCI Express capability structure version number; this value cannot be changed.
- **Device Port Type:** Indicates the PCI Express logical device type.
- **Slot Implemented:** Indicates the PCI Express Link associated with this port is connected to a slot. Only valid for a Root Port of a PCI Express Root Complex or a Downstream Port of a PCI Express Switch.
- **Capabilities Register:** Displays the value of the Capabilities register presented by the integrated block, and is not editable.

Device Capabilities Register

- **Max Payload Size:** Indicates the maximum payload size that the device/function can support for TLPs.

- **Extended Tag Field:** Indicates the maximum supported size of the Tag field as a Requester. When selected, indicates 8-bit Tag field support. When deselected, indicates 5-bit Tag field support.
- **Extended Tag Default:** When this field is checked, indicates the default value of bit 8 of the Device Control register is set to 1 to support the Extended Tag Enable Default ECN.
- **Phantom Functions:** Indicates the support for use of unclaimed function numbers to extend the number of outstanding transactions allowed by logically combining unclaimed function numbers (called Phantom Functions) with the Tag identifier. See Section 2.2.6.2 of the *PCI Express Base Specification, rev. 2.1* [Ref 2] for a description of Tag Extensions. This field indicates the number of most significant bits of the function number portion of Requester ID that are logically combined with the Tag identifier.
- **Acceptable L0s Latency:** Indicates the acceptable total latency that an Endpoint can withstand due to the transition from L0s state to the L0 state.
- **Acceptable L1 Latency:** Indicates the acceptable latency that an Endpoint can withstand due to the transition from L1 state to the L0 state.
- **Device Capabilities Register:** Displays the value of the Device Capabilities register presented by the integrated block and is not editable.

Block RAM Configuration Options

- **Buffering Optimized for Bus Mastering Applications:** Causes the device to advertise to its Link Partner credit settings that are optimized for Bus Mastering applications.
- **Performance Level:** Selects the Performance Level settings, which determines the Receiver and Transmitter Sizes. The table displayed specifies the Receiver and Transmitter settings - number of TLPs buffered in the Transmitter, the Receiver Size, the Credits advertised by the Core to the Link Partner and the Number of Block RAMs required for the configuration, corresponding to the Max Payload Size selected, for each of the Performance Level options.
- **Finite Completions:** If selected, causes the device to advertise to the Link Partner the actual amount of space available for Completions in the Receiver. For an Endpoint, this is not compliant to the *PCI Express Base Specification, rev. 2.1*, as Endpoints are required to advertise an infinite amount of completion space.

Device Capabilities 2 Register

- **Completion Timeout Disable Supported:** Indicates support for Completion Timeout Disable mechanism
- **Completion Timeout Ranges Supported:** Indicates Device Function support for the optional Completion Timeout mechanism.



RECOMMENDED: *It is strongly recommended that the Completion Timeout mechanism not expire in less than 10 ms.*

- **Device Capabilities2 Register:** Displays the value of the Device Capabilities2 Register sent to the Core and is not editable.
- **UR Atomic:** If checked, the core automatically responds to Atomic Operation requests with an Unsupported Request. If unchecked, the core passes Atomic Operations TLPs to the user.
- **32-bit AtomicOp Completer Support:** Indicates 32-bit AtomicOp Completer support.
- **64-bit AtomicOp Completer Support:** Indicates 64-bit AtomicOp Completer support.
- **128-bit CAS Completer Support:** Indicates 128-bit Compare And Swap completer support.
- **TPH Completer Supported:** Indicates the level of support for TPH completer.

Link Capabilities Register

This section is used to set the Link Capabilities register.

- **Supported Link Speed:** Indicates the supported link speed of the given PCI Express Link. This value is set to the Link Speed specified in the first GUI screen and is not editable.
- **ASPM Optionality:** When checked, this field disables ASPM.
- **Maximum Link Width:** This value is set to the initial lane width specified in the first GUI screen and is not editable.
- **DLL Link Active Reporting Capability:** Indicates the optional Capability of reporting the DL_Active state of the Data Link Control and Management State Machine.
- **Link Capabilities Register:** Displays the value of the Link Capabilities register sent to the core and is not editable.

Link Control Register

- **Read Completion Boundary:** Indicates the Read Completion Boundary for the Root Port.
- **Link Control Register:** Displays the value of the Link Control Register sent to the core and is not editable.

Link Control 2 Register

- **Target Link Speed:** Sets an upper limit on the link operational speed. This is used to set the target Compliance Mode speed. The value is set to the supported link speed and can be edited only if the link speed is set to 5.0 Gb/s.

- **Hardware Autonomous Speed Disable:** When checked, this field disables the hardware from changing the link speed for device specific reasons other than attempting to correct unreliable link operation by reducing link speed.
- **De-emphasis:** Sets the level of de-emphasis for an Upstream component, when the Link is operating at 5.0 Gb/s. This feature is not editable.
- **Link Control 2 Register:** Displays the value of the Link Control 2 Register sent to the core and is not editable.

Link Status Register

- **Enable Slot Clock Configuration:** Indicates that the Endpoint uses the platform-provided physical reference clock available on the connector. Must be cleared if the Endpoint uses an independent reference clock.

Interrupt Capabilities

The Interrupt Settings screen shown in [Figure 10-6](#) sets the Legacy Interrupt Settings, MSI Capabilities, and MSI-X Capabilities.

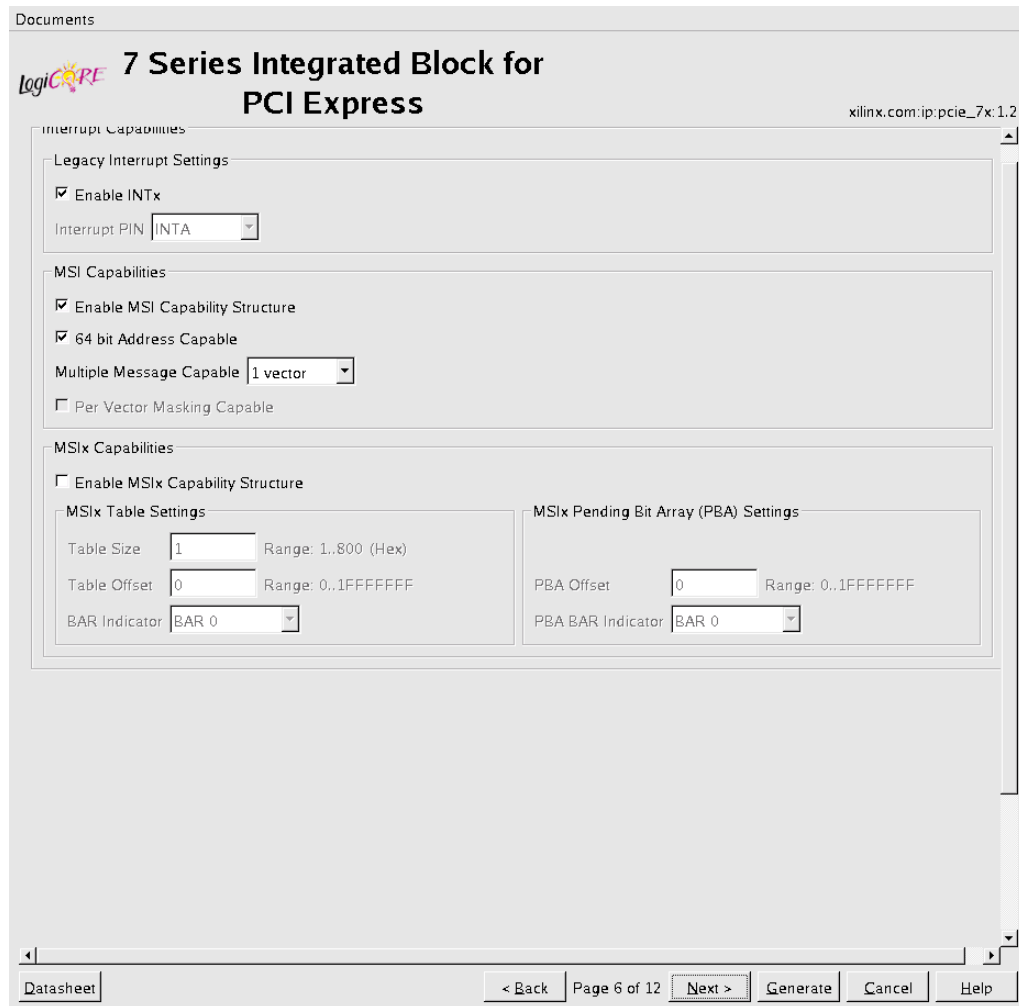


Figure 10-6: Screen 6: Interrupt Capabilities

Legacy Interrupt Settings

- **Enable INTX:** Enables the ability of the PCI Express function to generate INTx interrupts.
- **Interrupt PIN:** Indicates the mapping for Legacy Interrupt messages. A setting of “None” indicates no Legacy Interrupts are used.

Note: Only INT A is supported.

MSI Capabilities

- **Enable MSI Capability Structure:** Indicates that the MSI Capability structure exists.
- **64 bit Address Capable:** Indicates that the function is capable of sending a 64-bit Message Address.
- **Multiple Message Capable:** Selects the number of MSI vectors to request from the Root Complex.

- **Per Vector Masking Capable:** Indicates that the function supports MSI per-vector Masking.

MSI-X Capabilities

- **Enable MSIx Capability Structure:** Indicates that the MSI-X Capability structure exists.
Note: This Capability Structure needs at least one Memory BAR to be configured.
- **MSIx Table Settings:** Defines the MSI-X Table Structure.
 - *Table Size:* Specifies the MSI-X Table Size.
 - *Table Offset:* Specifies the Offset from the Base Address Register that points to the Base of the MSI-X Table.
 - *BAR Indicator:* Indicates the Base Address Register in the Configuration Space that is used to map the function's MSI-X Table, onto Memory Space. For a 64-bit Base Address Register, this indicates the lower DWORD.
- **MSIx Pending Bit Array (PBA) Settings:** Defines the MSI-X Pending Bit Array (PBA) Structure.
 - *PBA Offset:* Specifies the Offset from the Base Address Register that points to the Base of the MSI-X PBA.
 - *PBA BAR Indicator:* Indicates the Base Address Register in the Configuration Space that is used to map the function's MSI-X PBA, onto Memory Space.

Power Management Registers

The Power Management Registers screen shown in [Figure 10-7](#) includes settings for the Power Management Registers, power consumption and power dissipation options.

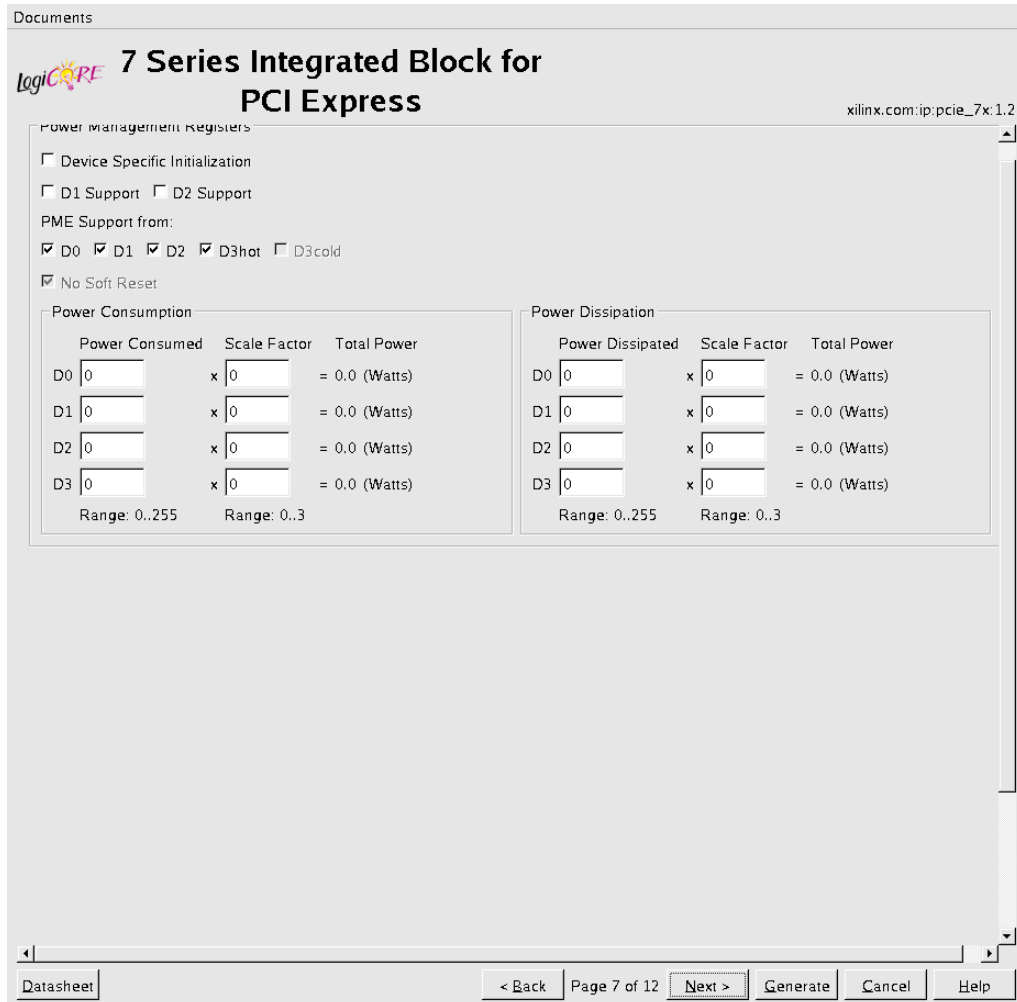


Figure 10-7: Screen 7: Power Management Registers

- Device Specific Initialization:** This bit indicates whether special initialization of this function is required (beyond the standard PCI configuration header) before the generic class device driver is able to use it. When selected, this option indicates that the function requires a device specific initialization sequence following transition to the D0 uninitialized state. See section 3.2.3 of the *PCI Bus Power Management Interface Specification Revision 1.2* [Ref 2].
- D1 Support:** When selected, this option indicates that the function supports the D1 Power Management State. See section 3.2.3 of the *PCI Bus Power Management Interface Specification Revision 1.2*.
- D2 Support:** When selected, this option indicates that the function supports the D2 Power Management State. See section 3.2.3 of the *PCI Bus Power Management Interface Specification Revision 1.2*.
- PME Support From:** When this option is selected, it indicates the power states in which the function can assert `cfg_pm_wake`. See section 3.2.3 of the *PCI Bus Power Management Interface Specification Revision 1.2*.

- **No Soft Reset:** Checking this box indicates that if the device transitions from D3hot to D0 because of a Power State Command, it does not perform an internal reset and Configuration context is preserved. Disabling this option is not supported.

Power Consumption

The 7 Series FPGAs Integrated Block for PCI Express always reports a power budget of 0W. For information about power consumption, see section 3.2.6 of the *PCI Bus Power Management Interface Specification Revision 1.2*.

Power Dissipated

The 7 Series FPGAs Integrated Block for PCI Express always reports a power dissipation of 0W. For information about power dissipation, see section 3.2.6 of the *PCI Bus Power Management Interface Specification Revision 1.2*.

PCI Express Extended Capabilities

The PCIe Extended Capabilities screen shown in [Figure 10-8](#) includes settings for Device Serial Number Capability, Virtual Channel Capability, Vendor Specific Capability, and optional user-defined Configuration capabilities.

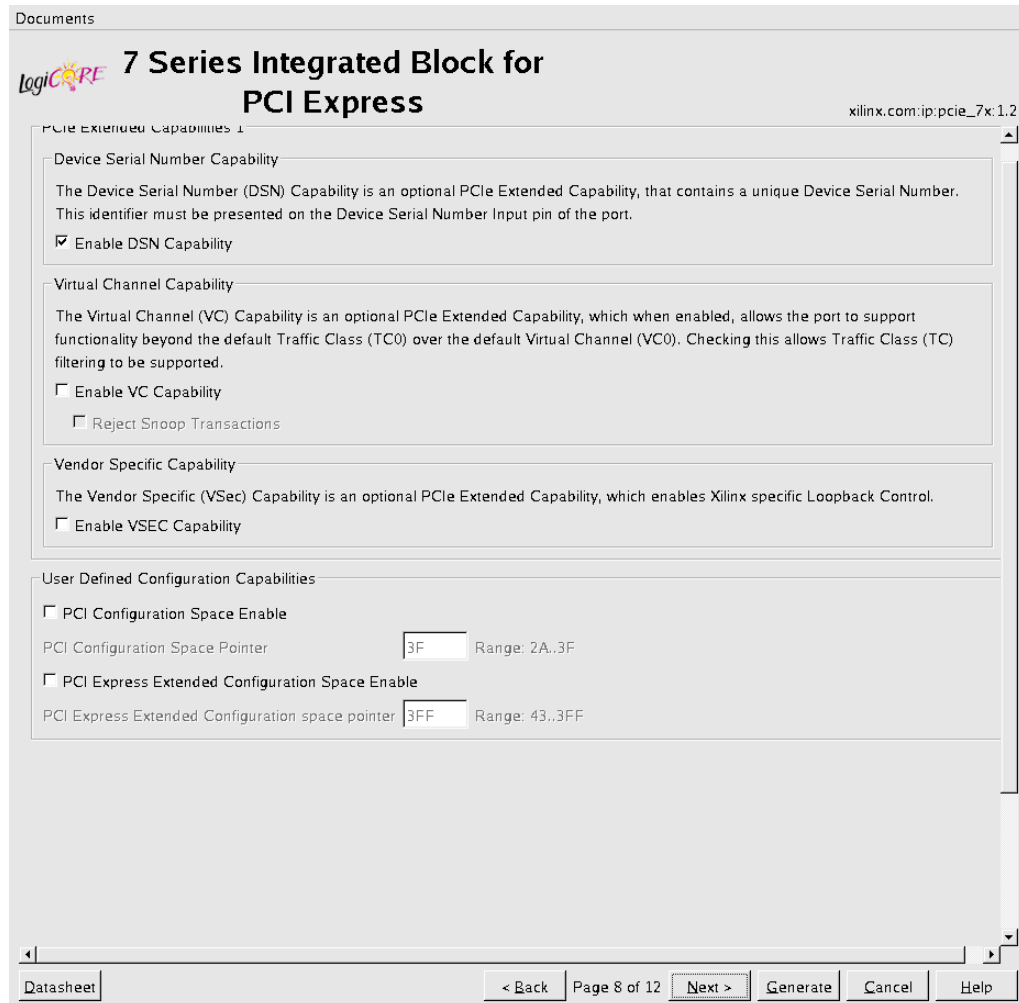


Figure 10-8: Screen 8: PCIe Extended Capabilities

Device Serial Number Capability

- **Device Serial Number Capability:** An optional PCIe Extended Capability containing a unique Device Serial Number. When this Capability is enabled, the DSN identifier must be presented on the Device Serial Number input pin of the port. This Capability must be turned on to enable the Virtual Channel and Vendor Specific Capabilities

Virtual Channel Capability

- **Virtual Channel Capability:** An optional PCIe Extended Capability which allows the user application to be operated in TCn/VC0 mode. Checking this allows Traffic Class filtering to be supported.
- **Reject Snoop Transactions (Root Port Configuration Only):** When enabled, any transactions for which the No Snoop attribute is applicable, but is not set in the TLP header, can be rejected as an Unsupported Request.

Vendor Specific Capability

- **Vendor Specific Capability:** An optional PCIe Extended Capability that allows PCI Express component vendors to expose Vendor Specific Registers. When checked, enables Xilinx specific Loopback Control.

User-Defined Configuration Capabilities: Endpoint Configuration Only

- **PCI Configuration Space Enable:** Allows the user application to add/implement PCI Legacy capability registers. This option should be selected if the user application implements a legacy capability configuration space. This option enables the routing of Configuration Requests to addresses outside the built-in PCI-Compatible Configuration Space address range to the AXI4-Stream interface.
- **PCI Configuration Space Pointer:** Sets the starting Dword aligned address of the user definable PCI Compatible Configuration Space. The available DWORD address range is 2Ah - 3Fh.
- **PCI Express Extended Configuration Space Enable:** Allows the user application to add/implement PCI Express Extended capability registers. This option should be selected if the user application implements such an extended capability configuration space. This enables the routing of Configuration Requests to addresses outside the built-in PCI Express Extended Configuration Space address range to the User Application.
- **PCI Configuration Space Pointer:** Sets the starting DWORD aligned address of the PCI Express Extended Configuration Space implemented by the user application. This action enables routing of Configuration Requests with DWORD addresses greater than or equal to the value set in the user application. The available address range depends on the PCIe Extended Capabilities selected. For more information, see [Chapter 3, Designing with the Core](#).

Figure 10-9: Screen 9: Optional Extended Capabilities

AER Capability

- **Enable AER Capability:** An optional PCIe Extended Capability that allows Advanced Error Reporting.
- **Multiheader:** Indicates support for multiple-header buffering for the AER header log field. (Not supported for the 7 Series FPGAs Integrated Block for PCI Express.)
- **Permit Root Error Update:** If TRUE, permits the AER Root Status and Error Source ID registers to be updated. If FALSE, these registers are forced to 0.
- **ECRC Check Capable:** Indicates the core can check ECRC.
- **Optional Error Support:** Indicates which option error conditions in the Uncorrectable and Correctable Error Mask/Severity registers are supported. If an error box is unchecked, the corresponding bit in the Mask/Severity register is hardwired to 0.

RBAR Capability

- **Enable RBAR Capability:** An optional PCIe Extended Capability that allows Resizable BARs.
- **Number of RBARs:** Number of resizable BARs in the Cap Structure, which depends on the number of BARs enabled.
- **BARn Size Supported:** RBAR Size Supported vector for RBAR Capability Register (0 through 5)

- **BARn Index Value:** Sets the index of the resizeable BAR from among the enabled BARs
- **RBARn Init Value:** RBAR Initial Value for the RBAR Control BAR Size field.

ECRC

- **Receive ECRC Check:** Enables ECRC checking of received TLPs.
 - 0 = Do not check
 - 1 = Always check
 - 3 = Check if enabled by the ECRC check enable bit of the AER Capability Structure
- **Trim TLP Digest:** Enables TD bit clear and ECRC trim on received TLPs.
- **Disable RX Poisoned Resp:** Disables the core from sending a message and setting status bits due to receiving a Poisoned TLP.

Pinout Selection

The Pinout Selection screen shown in [Figure 10-10](#) includes options for pinouts specific to Xilinx Development Boards and PCIe Block Location.

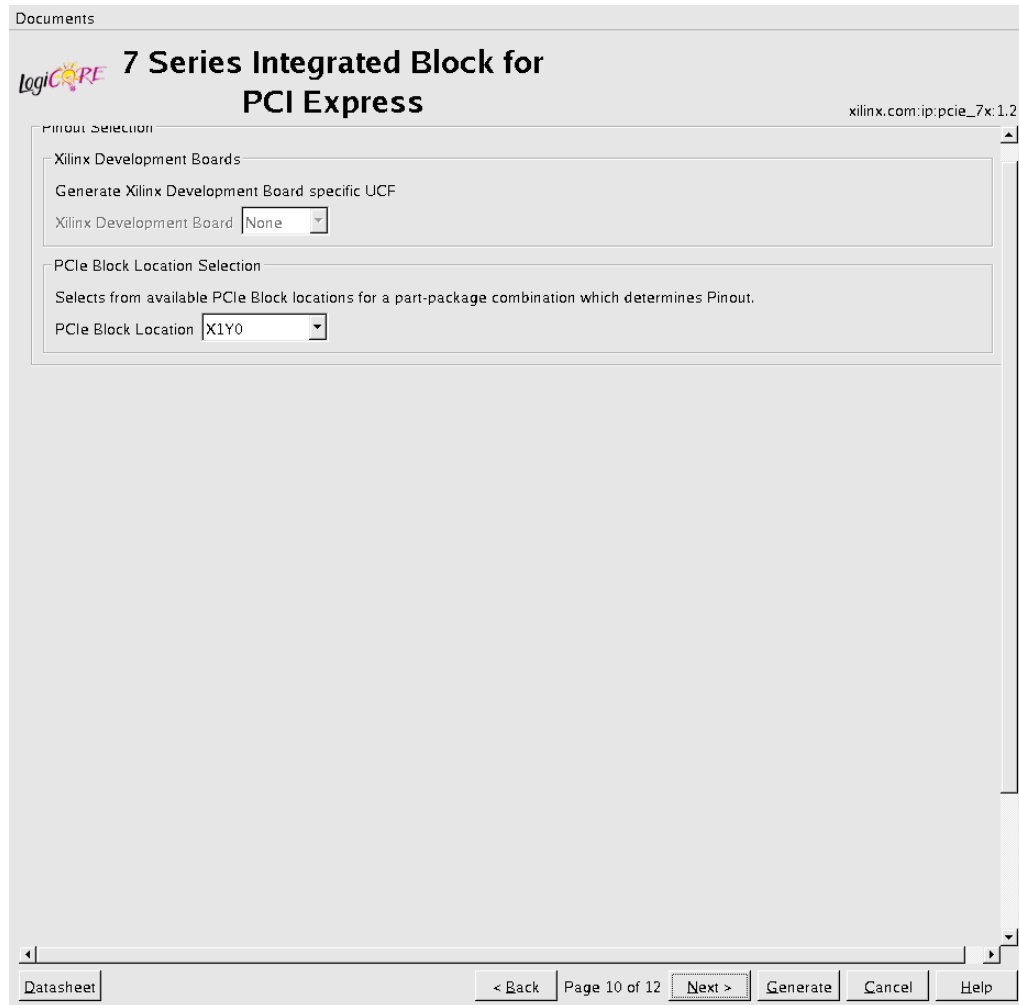


Figure 10-10: Screen 10: PCIe Block Location Selection

- **Xilinx Development Boards:** Selects the Xilinx Development Board to enable the generation of Xilinx Development Board specific constraints files.
- **PCIe Block Location Selection:** Selects from the Integrated Blocks available to enable generation of location specific constraint files and pinouts. When options "X0Y0 & X0Y1" or "X0Y2 & X0Y3" are selected, constraints files for both Integrated Block locations are generated, and the constraints file for the X0Y0 or X0Y3 location is used.

This option is not available if a Xilinx Development Board is selected.

Advanced Settings

The Advanced Settings screens shown in [Figure 10-11](#) and [Figure 10-12](#) include settings for Transaction Layer, Link Layer, Physical Layer, DRP Ports, and Reference Clock Frequency options.



Figure 10-11: Screen 11: Advanced Settings 1

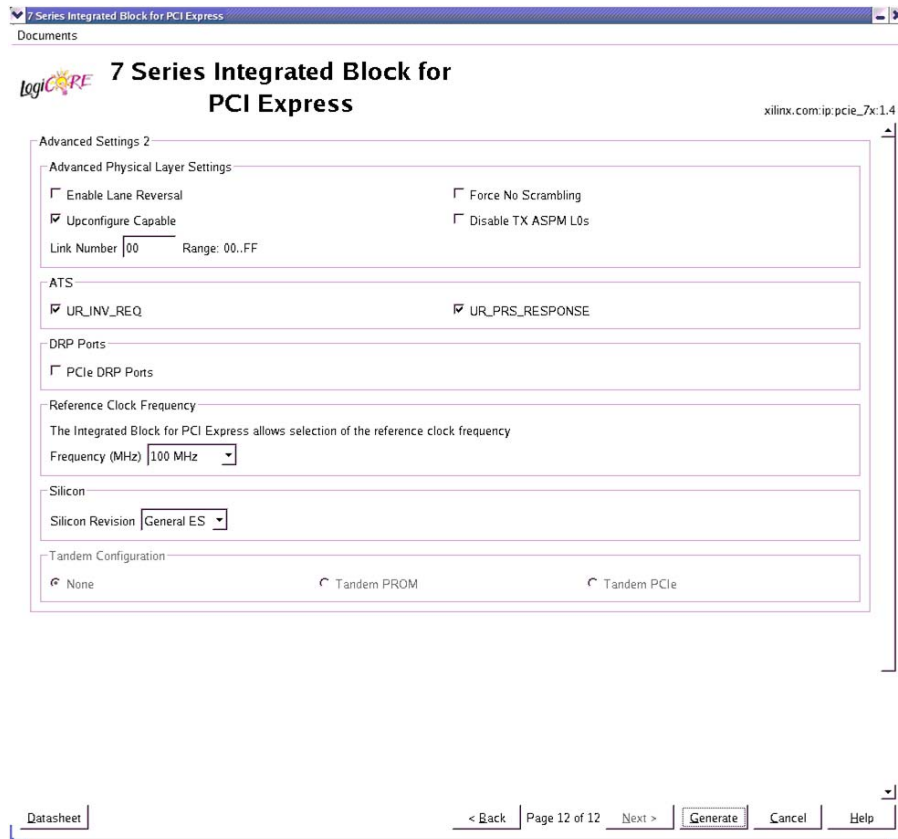


Figure 10-12: Screen 12: Advanced Settings 2

Transaction Layer Module

- **Enable Message Routing:** Controls if message TLPs are also received on the AXI4-Stream interface.
- **Endpoint:**
 - Unlock and PME_Turn_Off Messages
- **Root Port:**
 - Error Messages - Error Correctable, Error Non-Fatal, Error Fatal
 - Assert/Deassert INT Messages - INTA, INTB, INTC, INTD
 - Power Management Messages - PM_PME, PME_TO_ACK
- Receive Non-Posted Request (Non-Posted Flow Control)
 - The rx_np_req signal prevents the user application from buffering Non-Posted TLPs. When rx_np_req is asserted, one Non-Posted TLP is requested from the integrated block. This signal cannot be used in conjunction with rx_np_ok. Every time that rx_np_req is asserted, one TLP is presented on the receive interface; whereas, every time that rx_np_ok is deasserted, the user application needs to buffer up to two additional Non-Posted TLPs.

- **Pipeline Registers for Transaction Block RAM Buffers:** Selects the Pipeline registers enabled for the Transaction Buffers. Pipeline registers can be enabled on either the Write path or both the Read and Write paths of the Transaction Block RAM buffers.

Link Layer Module

- **Override ACK/NAK Latency Timer:** Checking this box enables the user to override the ACK/NAK latency timer values set in the device. Use of this feature could cause the ACK timeout values to be non-compliant to the *PCI Express Base Specification, rev. 2.1* [Ref 2]. This setting can be used to perform advanced debugging operations. Any modifications to default attributes must be made only if directed by Xilinx Technical Support.
- **ACK Latency Timer Override Function:** This setting determines how the override value is used by the device with respect to the ACK/NAK Latency Timer Value in the device. Options are "Absolute", "Add", and "Subtract". The first two settings could cause the ACK timeout values to be non-compliant with the *PCI Express Base Specification, rev. 2.1*.
- **ACK Latency Timer Override Value:** This setting determines the ACK/NAK latency timer value used by the device depending on if the ACK Latency Timer Override Function enabled. The built-in table value depends on the Negotiated Link Width and Programmed MPS of the device.
- **Override Replay Timer:** Checking this box enables the user to override the replay timer values set in the device. Use of this feature could cause the replay timeout values to be non-compliant to the *PCI Express Base Specification, rev. 2.1*. This setting can be used to perform advanced debugging operations. Any modifications to default attributes must be made only if directed by Xilinx Technical Support.
- **Replay Timer Override Function:** This setting determines how the override value is used by the device with respect to the replay timer value in the device. Options are "Absolute", "Add", and "Subtract". The first two settings could cause the replay timeout values to be non-compliant with the *PCI Express Base Specification, rev. 2.1*.
- **Replay Timer Override Value:** This setting determines the replay timer value used by the device depending on if the Replay Timer Override Function enabled. The built-in table value depends on the Negotiated Link Width and Programmed MPS of the device. The user must ensure that the final timeout value does not overflow the 15-bit timeout value.

Advanced Physical Layer

- **Enable Lane Reversal:** When checked, enables the Lane Reversal feature.
- **Force No Scrambling:** Used for diagnostic purposes only and should never be enabled in a working design. Setting this bit results in the data scramblers being turned off so that the serial data stream can be analyzed.
- **Upconfigure Capable:** When unchecked, the port is advertised as "Not Upconfigure Capable" during Link Training.

- **Disable TX ASPM L0s:** Recommended for a link that interconnects a 7 series FPGA to any Xilinx component. This prevents the device transmitter from entering the L0s state.
- **Link Number:** Specifies the link number advertised by the device in TS1 and TS2 ordered sets during Link training. Used in downstream facing mode only.
- **ATS**
 - **UR_INV_REQ:** When this box is checked, the core handles received ATS Invalidate request messages as unsupported requests. When this box is unchecked, the core passes received ATS Invalidate request messages to the user.
 - **UR_PRS_RESPONSE:** When this box is checked, the core handles received ATS Page Request Group Response messages as unsupported requests. When this box is unchecked, the core passes received ATS PRG Response messages to the user.

Debug Ports

- **PCIe DRP Ports:** Checking this box enables the generation of DRP ports for the PCIe Hard Block, giving users dynamic control over the PCIe Hard Block attributes. This setting can be used to perform advanced debugging. Any modifications to the PCIe default attributes must be made only if directed by Xilinx Technical Support.

Reference Clock Frequency

Selects the frequency of the reference clock provided on sys_clk. For information about clocking the 7 Series FPGA Integrated Block for PCI Express, see [Clocking](#) and [Resets in Chapter 3](#).

Silicon Revision

Selects the silicon revision.

Tandem PROM

Enables delivery of the Tandem PROM configuration solution. See [Tandem PROM](#), [page 161](#) for more information.

Tandem PCIe

Enables delivery of the Tandem PCIe configuration solution. See [Tandem PCI Express \(PCIe\)](#), [page 181](#) for more information.

Output Generation

See [Directory and File Contents in Chapter 12](#).

Constraining the Core

The Xilinx® 7 Series FPGAs Integrated Block for PCI Express® solution requires the specification of timing and other physical implementation constraints to meet specified performance requirements for PCI Express. These constraints are provided with the Endpoint and Root Port solutions in a User Constraints File (UCF). Pinouts and hierarchy names in the generated UCF correspond to the provided example design.

To achieve consistent implementation results, a UCF containing these original, unmodified constraints must be used when a design is run through the Xilinx tools. For additional details on the definition and use of a UCF or specific constraints, see the *Xilinx Libraries Guides* [Ref 11] and the *Command Line Tools User Guide (UG628)* [Ref 13].

Constraints provided with the Integrated Block solution have been tested in hardware and provide consistent results. Constraints can be modified, but modifications should only be made with a thorough understanding of the effect of each constraint. Additionally, support is not provided for designs that deviate from the provided constraints.

Although the UCF delivered with each core shares the same overall structure and sequence of information, the content of each core's UCF varies. The sections that follow define the structure and sequence of information in a generic UCF.

Required Constraint Modifications

Several constraints provided in the UCF utilize hierarchical paths to elements within the integrated block. These constraints assume an instance name of *core* for the core. If a different instance name is used, replace *core* with the actual instance name in all hierarchical constraints.

For example, when using `xilinx_pcie_ep` as the instance name, the physical constraint:

```
INST "core/pcie_2_1_i/pcie_gt_i/pipe_wrapper_i/pipe_lane[0].pipe_common.qpll_wrapper_i/  
gtxe2_common_i"  
LOC = GTXE1_X0Y15;
```

becomes:

```
INST "xilinx_pcie_ep/pcie_2_1_i/pcie_gt_i/pipe_wrapper_i/pipe_lane[0].pipe_common.qpll_wrapper_i/  
gtxe2_common_i"  
LOC = GTXE1_X0Y15;
```

The provided UCF includes blank sections for constraining user-implemented logic. While the constraints provided adequately constrain the Integrated Block core itself, they cannot adequately constrain user-implemented logic interfaced to the core. Additional constraints must be implemented by the designer.

Device, Package, and Speed Grade Selections

The first section of the UCF specifies the exact device for the implementation tools to target, including the specific part, package, and speed grade. In some cases, device-specific options can be included. The device in the UCF reflects the device chosen in the CORE Generator™ tool project.

User Timing Constraints

The User Timing constraints section is not populated; it is a placeholder for the designer to provide timing constraints on user-implemented logic.

User Physical Constraints

The User Physical constraints section is not populated; it is a placeholder for the designer to provide physical constraints on user-implemented logic.

Core Pinout and I/O Constraints

The Core Pinout and I/O constraints section contains constraints for I/Os belonging to the core's System (SYS) and PCI Express (PCI_EXP) interfaces. It includes location constraints for pins and I/O logic as well as I/O standard constraints.

Core Physical Constraints

Physical constraints are used to limit the core to a specific area of the device and to specify locations for clock buffering and other logic instantiated by the core.

Core Timing Constraints

This Core Timing constraints section defines clock frequency requirements for the core and specifies which nets the timing analysis tool should ignore.

Device Selection

The device selection portion of the UCF informs the implementation tools which part, package, and speed grade to target for the design. Because Integrated Block cores are

designed for specific part and package combinations, this section should not be modified by the designer.

The device selection section always contains a part selection line, but can also contain part or package-specific options. An example part selection line:

```
CONFIG PART = XC7V585T-FFG1761-1
```

Core I/O Assignments

This section controls the placement and options for I/Os belonging to the core's System (SYS) interface and PCI Express (PCI_EXP) interface. NET constraints in this section control the pin location and I/O options for signals in the SYS group. Locations and options vary depending on which derivative of the core is used and should not be changed without fully understanding the system requirements.

For example:

```
NET "sys_rt_n" IOSTANDARD = LVCMOS18 | PULLUP | NODELAY;  
INST "refclk_ibuf" LOC = IBUFDS_GT2_X0Y7;
```

See [Clocking](#) and [Resets in Chapter 3](#) for detailed information about reset and clock requirements.

For GTX transceiver pinout information, see the "Placement Information by Package" appendix in the *7 Series FPGAs GTX/GTH Transceivers User Guide (UG476)* [\[Ref 10\]](#).

INST constraints are used to control placement of signals that belong to the PCI_EXP group. These constraints control the location of the transceiver(s) used, which implicitly controls pin locations for the transmit and receive differential pair.

For example:

```
INST "pcie_7x_v1_4_ep_i/gt_top_i/pipe_wrapper_i/pipe_lane[0].gt_wrapper_i/  
gtx_channel.gtxe2_channel_i" LOC = GTXE2_CHANNEL_X0Y7;
```

Core Physical Constraints

Physical constraints are included in the constraints file to control the location of clocking and other elements and to limit the core to a specific area of the FPGA logic.



IMPORTANT: *Specific physical constraints are chosen to match each supported device and package combination—it is very important to leave these constraints unmodified.*

Physical constraints example:

```
INST "core/*" AREA_GROUP = "AG_core" ;
AREA_GROUP "AG_core" RANGE = SLICE_X136Y147:SLICE_X155Y120 ;
```

Core Timing Constraints

Timing constraints are provided for all integrated block solutions, although they differ based on core configuration. In all cases they are crucial and must not be modified, except to specify the top-level hierarchical name. Timing constraints are divided into two categories:

- TIG constraints. Used on paths where specific delays are unimportant, to instruct the timing analysis tools to refrain from issuing *Unconstrained Path* warnings.
- Frequency constraints. Group clock nets into time groups and assign properties and requirements to those groups.

TIG constraints example:

```
NET "sys_rst_n" TIG;
```

Clock constraints example:

First, the input reference clock period is specified, which can be 100 MHz, 125 MHz, or 250 MHz (selected in the CORE Generator™ tool GUI).

```
NET "sys_clk" TNM_NET = "SYSCLK" ;
TIMESPEC "TS_SYSCLK" = PERIOD "SYSCLK" 100.00 MHz HIGH 50 % PRIORITY 100; # OR
```

Next, the internally generated clock net and period are specified, which can be 100 MHz, 125 MHz, or 250 MHz. (*Both* clock constraints must be specified as 100 MHz, 125 MHz, or 250 MHz.)

```
NET "ext_clk.pipe_clock_i/clk_125mhz" TNM_NET = "CLK_125" ;
TIMESPEC "TS_CLK_125" = PERIOD "CLK_125" TS_SYSCLK*1.25 HIGH 50 % PRIORITY 1;
```

Relocating the Integrated Block Core

While Xilinx does not provide technical support for designs whose system clock input, GTXE transceivers, or block RAM locations are different from the provided examples, it is possible to relocate the core within the FPGA. The locations selected in the provided examples are the recommended pinouts. These locations have been chosen based on the proximity to the PCIe® block, which enables meeting 250 MHz timing, and because they are conducive to

layout requirements for add-in card design. If the core is moved, the relative location of all transceivers and clocking resources should be maintained to ensure timing closure.

Supported Core Pinouts

Virtex®-7 FPGAs contain multiple blocks. [Table 11-1](#) lists which blocks are available for use in these FPGAs. Kintex™-7 and Artix™-7 devices only contain one block. In some Virtex-7 family cases, not all blocks can be targeted due to the lack of bonded transceivers sites adjacent to the Integrated Block. The Integrated Blocks in FPGAs listed in [Table 11-1](#) only support operations up to Gen2 (5.0 GT/s) speeds. For Gen 3 (8.0 GT/s) operation, see *Virtex-7 FPGA Gen3 Integrated Block for PCI Express Product Guide (PG023)* [Ref 4], for device support and information on the Virtex-7 FPGA Gen3 Integrated Block for PCI Express.

Table 11-1: Available Integrated Blocks for PCIe

Device Selection		Integrated Block for PCIe Location				
Device	Package	X0Y0	X0Y1	X0Y2	X1Y0	X1Y1
XC7VX485T	FFG1157 FFG1761 FFG1930				✓	✓
	FFG1158 FFG1927	✓	✓		✓	✓
XC7V585T	FFG1157		✓	✓		
	FFG1761	✓	✓	✓		
XC7V2000T	FHG1761	✓	✓	✓		
	FLG1926	✓	✓			

[Table 11-2](#) defines the supported core pinouts for the available 7 series part and package combinations. The CORE Generator tool provides a UCF for the selected part and package that matches the table contents.

Table 11-2: Supported Core Pinouts

Package	Device	Integrated Block Location	Lane	X1	X2	X4	X8
FBG484	XC7K70T XC7K160T	X0Y0	Lane 0	X0Y3	X0Y3	X0Y3	Not Supported
			Lane 1		X0Y2	X0Y2	
			Lane 2			X0Y1	
			Lane 3			X0Y0	

Table 11-2: Supported Core Pinouts (Cont'd)

Package	Device	Integrated Block Location	Lane	X1	X2	X4	X8
FBG676	XC7K70T XC7K160T XC7K325T XC7K410T	X0Y0	Lane 0	X0Y7	X0Y7	X0Y7	X0Y7
			Lane 1		X0Y6	X0Y6	X0Y6
			Lane 2			X0Y5	X0Y5
			Lane 3			X0Y4	X0Y4
FFG676	XC7K160T XC7K325T XC7K410T		Lane 4				X0Y3
			Lane 5				X0Y2
FFG900	XC7K325T XC7K410T		Lane 6				X0Y1
FHG1761	XC7V585T		Lane 7				X0Y0
FFG1158	XC7VX485T	X0Y0	Lane 0	X0Y11	X0Y11	X0Y11	X0Y11
			Lane 1		X0Y10	X0Y10	X0Y10
			Lane 2			X0Y9	X0Y9
FFG1927	XC7VX485T		Lane 3			X0Y8	X0Y8
			Lane 4				X0Y7
			Lane 5				X0Y6
FLG1925	XC7V2000T		Lane 6				X0Y5
			Lane 7				X0Y4
FFG901	XC7K355T ⁽¹⁾	Lane 0	X0Y15	X0Y15	X0Y15	X0Y15	
		Lane 1		X0Y14	X0Y14	X0Y14	
		Lane 2			X0Y13	X0Y13	
		Lane 3			X0Y12	X0Y12	
		Lane 4				X0Y11	
		Lane 5				X0Y10	
		Lane 6				X0Y9	
Lane 7				X0Y8			
FFG901	XC7K420T XC7K480T	X0Y0	Lane 0	X0Y19	X0Y19	X0Y19	X0Y19
FFG1156	XC7K420T XC7K480T	X0Y0	Lane 1		X0Y18	X0Y18	X0Y18

Table 11-2: Supported Core Pinouts (Cont'd)

Package	Device	Integrated Block Location	Lane	X1	X2	X4	X8	
FFG1157	XC7V585T	X0Y1	Lane 2			X0Y17	X0Y17	
FFG1761	XC7V585T		Lane 3			X0Y16	X0Y16	
FLG1761	XC7V1500T		Lane 4				X0Y15	
FHG1761	XC7V2000T		Lane 5				X0Y14	
FLG1925	XC7V2000T		Lane 6				X0Y13	
			Lane 7				X0Y12	
FFG1158	XC7VX485T	X0Y1	Lane 0	X0Y23	X0Y23	X0Y23	X0Y23	
FFG1927	XC7V485T		Lane 1		X0Y22	X0Y22	X0Y22	
			Lane 2			X0Y21	X0Y21	
			Lane 3			X0Y20	X0Y20	
			Lane 4				X0Y19	
			Lane 5				X0Y18	
			Lane 6				X0Y17	
			Lane 7				X0Y16	
FFG1157	XC7V585T	X0Y2	Lane 0	X0Y31	X0Y31	X0Y31	X0Y31	
			Lane 1		X0Y30	X0Y30	X0Y30	
FFG1761	XC7V585T		Lane 2			X0Y29	X0Y29	
			Lane 3			X0Y28	X0Y28	
FLG1761	XC7V1500T		Lane 4				X0Y27	
			Lane 5				X0Y26	
FHG1761	XC7V2000T		Lane 6				X0Y25	
		Lane 7				X0Y24		
FFG1157	XC7VX485T	X1Y0	Lane 0	X1Y11	X1Y11	X1Y11	X1Y11	
				Lane 1		X1Y10	X1Y10	X1Y10
FFG1158				Lane 2			X1Y9	X1Y9
				Lane 3			X1Y8	X1Y8
FFG1761				Lane 4				X1Y7
				Lane 5				X1Y6
FFG1927				Lane 6				X1Y5
FFG1930				Lane 7				X1Y4

Table 11-2: Supported Core Pinouts (Cont'd)

Package	Device	Integrated Block Location	Lane	X1	X2	X4	X8
FFG1157	XC7VX485T	X1Y1	Lane 0	X1Y23	X1Y23	X1Y23	X1Y23
			Lane 1		X1Y22	X1Y22	X1Y22
FFG1158			Lane 2			X1Y21	X1Y21
			Lane 3			X1Y20	X1Y20
FFG1761			Lane 4				X1Y19
			Lane 5				X1Y18
FFG1927			Lane 6				X1Y17
FFG1930			Lane 7				X1Y16

Notes:












1. The default GTX transceiver locations for the XC7K355T are not pin compatible with the XC7K420T and XC7K480T in the FFG901 package. If migration compatibility is desired, change the XC7K355T GTX transceiver locations to be as follows: Lane 0: X0Y19; Lane 1: X0Y18; Lane 2: X0Y17; Lane 3: X0Y16; Lane 4: X0Y15; Lane 5: X0Y14; Lane 6: X0Y13; Lane 7: X0Y12.

Example Design


This chapter provides an overview of the Xilinx® 7 Series FPGA Integrated Block for PCI Express® example design and instructions for generating the core. It also includes information about simulating and implementing the example design using the provided demonstration test bench.

Directory and File Contents

The 7 Series FPGAs Integrated Block for PCI Express example design directories and their associated files are defined in the sections that follow. Click a directory name to go to the desired directory and its associated files.

-  [<project directory>](#)
Top-level project directory; name is user-defined
 -  [<project directory>/<component name>](#)
Core release notes readme file
 -  [<component name>/doc](#)
Product documentation
 -  [<component name>/example_design](#)
Verilog or VHDL design files
 -  [<component name>/implement](#)
Implementation script files
 -  [implement/results](#)
Contains implement script results
 -  [implement/xst](#)
Contains synthesis results, when XST is chosen as the synthesis tool
 -  [<component name>/source](#)
Core source files
 -  [<component name>/simulation](#)
Simulation scripts
 -  [simulation/dsport](#) (for Endpoint configurations only)
Root Port Bus Functional Model
 -  [simulation/functional](#)

Functional simulation files

-  [simulation/tests](#) (for Endpoint configurations only)
- Test command files

<project directory>

The `project` directory contains all the CORE Generator tool project files.

Table 12-1: Project Directory

Name	Description
<project_dir>	
<component_name>.xco	CORE Generator tool project-specific option file; can be used as an input to the CORE Generator tool.
<component_name>_flist.txt	List of files delivered with core.
<component_name>.{veo vho}	Verilog or VHDL instantiation template.
<component_name>_xmdf.tcl	Xilinx standard IP Core information file used by Xilinx design tools.

[Back to Top](#)

<project directory>/<component name>

The `component name` directory contains the release notes in the readme file provided with the core, which can include tool requirements, updates, and issue resolution.

Table 12-2: Component Name Directory

Name	Description
<project_dir>/<component_name>	
pcie_7x_readme.txt	Release notes file.

[Back to Top](#)

<component name>/doc

The `doc` directory contains a PDF pointing to this document on the Xilinx website.

Table 12-3: Doc Directory

Name	Description
<project_dir>/<component_name>/doc	
pg054-7series-pcie.pdf	7 Series FPGAs Integrated Block for PCI Express Product Guide

[Back to Top](#)

<component name>/example_design

The `example_design` directory contains the example design files provided with the core. [Table 12-4](#) shows the directory contents for an Endpoint configuration core.

Table 12-4: Example Design Directory: Endpoint Configuration

Name	Description
<code><project_dir>/<component_name>/example_design</code>	
<code>xilinx_pcie_2_1_ep_7x_01_lane_gen1_xc7v585t-ffg1157-3-PCIE_X0Y0.ucf</code>	Example design UCF. The file name varies by Device/Port Type, lane width, maximum link speed, part, package, PCIe block location, and Xilinx Development Board selected.
<code>xilinx_pcie_2_1_ep_7x.v[hd]</code>	Verilog or VHDL top-level PIO example design file.
<code>pcie_app_7x.v[hd]</code> <code>EP_MEM.v[hd]</code> <code>PIO.v[hd]</code> <code>PIO_EP.v[hd]</code> <code>PIO_EP_MEM_ACCESS.v[hd]</code> <code>PIO_TO_CTRL.v[hd]</code> <code>PIO_RX_ENGINE.v[hd]</code> <code>PIO_TX_ENGINE.v[hd]</code>	PIO example design files.

[Back to Top](#)

<component name>/implement

The `implement` directory contains the core implementation script files.

Table 12-5: Implement Directory

Name	Description
<code><project_dir>/<component_name>/implement</code>	
<code>implement.bat</code> <code>implement.sh</code>	DOS and Linux implementation scripts.
<code>xilinx_pcie_2_1_ep_7x.prj</code>	XST file list for the core.
<code>xilinx_pcie_2_1_ep_7x.xst</code>	XST command file.
<code>xilinx_pcie_2_1_ep_7x.xcf</code>	XST synthesis constraints file.

[Back to Top](#)

implement/results

The `results` directory is created by the `implement` script. The `implement` script results are placed in the `results` directory.

Table 12-6: Results Directory

Name	Description
<code><project_dir>/<component_name>/implement/results</code>	
Implement script result files.	

[Back to Top](#)

implement/xst

The `xst` directory is created by the XST script. The synthesis results are placed in the `xst` directory.

Table 12-7: XST Results Directory

Name	Description
<code><project_dir>/<component_name>/implement/xst</code>	
XST result files.	

[Back to Top](#)

<component name>/source

The `source` directory contains the generated core source files.

Table 12-8: Source Directory

Name	Description
<code><project_dir>/<component_name>/source</code>	
<code>hierarchy.txt</code>	ASCII text indicating the RTL hierarchy
<code><component_name>.v[hd]</code>	Verilog or VHDL top-level solution wrapper for the 7 Series FPGAs Integrated Block for PCI Express
<code><component_name>_pcie_top.v[hd]</code>	AXI4-Stream solution wrapper for the 7 Series FPGAs Integrated Block for PCI Express
<code><component_name>_pcie_7x.v[hd]</code>	Solution Wrapper for the 7 Series FPGAs Integrated Block for PCI Express
<code><component_name>_pcie_pipe_pipeline.v[hd]</code> <code><component_name>_pcie_pipe_lane.v[hd]</code> <code><component_name>_pcie_pipe_misc.v[hd]</code>	PIPE module for the 7 Series FPGAs Integrated Block for PCI Express
<code><component_name>_pcie_bram_top_7x.v[hd]</code> <code><component_name>_pcie_brams_7x.v[hd]</code> <code><component_name>_pcie_bram_7x.v[hd]</code>	Block RAM module for the 7 Series FPGAs Integrated Block for PCI Express
<code><component_name>_pcie_gt_top.v[hd]</code> <code><component_name>_gt_wrapper.v</code>	GTX wrapper for the 7 Series FPGAs Integrated Block for PCI Express

Table 12-8: Source Directory (Cont'd)

Name	Description
<component_name>_axi_basic_top.v[hd] <component_name>_axi_basic_rx.v[hd] <component_name>_axi_basic_rx_pipeline.v[hd] <component_name>_axi_basic_rx_null_gen.v[hd] <component_name>_axi_basic_tx.v[hd] <component_name>_axi_basic_tx_pipeline.v[hd] <component_name>_axi_basic_tx_thrtl_ctl.v[hd]	AXI4-Stream Interface files for the 7 Series FPGAs Integrated Block for PCI Express
<component_name>_pipe_clock.v <component_name>_pipe_drp.v <component_name>_pipe_rate.v <component_name>_pipe_reset.v <component_name>_pipe_sync.v <component_name>_pipe_user.v <component_name>_pipe_wrapper.v <component_name>_pipe_eq.v <component_name>_rxeq_scan.v <component_name>_qpll_drp.v <component_name>_qpll_reset.v <component_name>_qpll_wrapper.v	GTX module for the 7 Series FPGAs GTX transceivers

[Back to Top](#)

<component name>/simulation

The `simulation` directory contains the simulation source files provided with the core.

simulation/dsport

The `dsport` directory contains the files for the Root Port model test bench.

Table 12-9: dsport Directory: Endpoint Configuration

Name	Description
<project_dir>/<component_name>/simulation/dsport	
pcie_2_1_rp_v7.v[hd] pci_exp_expect_tasks.v pci_exp_usrapp_cfg.v[hd] pci_exp_usrapp_com.v pci_exp_usrapp_pl.v[hd] pci_exp_usrapp_rx.v[hd] pci_exp_usrapp_tx.v[hd] xilinx_pcie_2_1_rport_v7.v[hd] test_interface.vhd	Root Port model files.

[Back to Top](#)

simulation/functional

The functional directory contains functional simulation scripts provided with the core.

Table 12-10: Functional Directory

Name	Description
<code><project_dir>/<component_name>/simulation/functional</code>	
<code>board.f</code>	List of files for RTL simulations.
<code>simulate_mti.do</code>	Simulation script for ModelSim.
<code>simulate_ncsim.sh</code>	Simulation script for Cadence IES (Verilog only).
<code>simulate_vcs.sh</code>	Simulation script for VCS (Verilog only).
<code>xilinx_lib_vcs.f</code>	Points to the required SecureIP Model.
<code>board_common.v</code> (Endpoint configuration only)	Contains test bench definitions (Verilog only).
<code>board.v[hd]</code>	Top-level simulation module.
<code>sys_clk_gen_ds.v[hd]</code> (Endpoint configuration only)	System differential clock source.
<code>sys_clk_gen.v[hd]</code>	System clock source.

[Back to Top](#)

simulation/tests

Note: This directory exists for Endpoint configuration only.

The `tests` directory contains test definitions for the example test bench.

Table 12-11: Tests Directory

Name	Description
<code><project_dir>/<component_name>/simulation/tests</code>	
<code>sample_tests1.v</code> <code>tests.v[hd]</code>	Test definitions for example test bench.

[Back to Top](#)

Example Design

The example simulation design for the Endpoint configuration of the integrated block consists of two discrete parts:

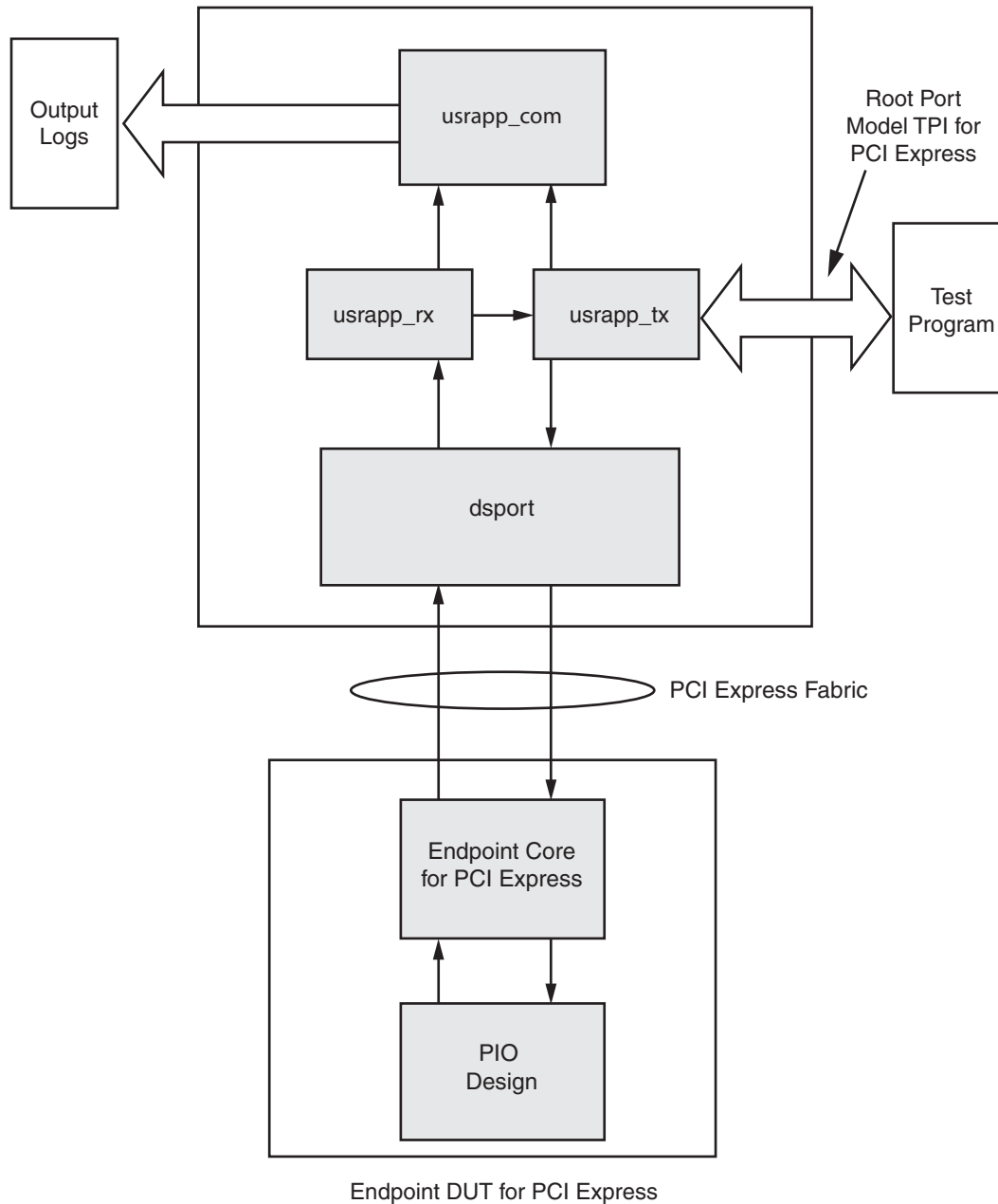
- The Root Port Model, a test bench that generates, consumes, and checks PCI Express bus traffic.

- The Programmed Input/Output (PIO) example design, a complete application for PCI Express. The PIO example design responds to Read and Write requests to its memory space and can be synthesized for testing in hardware.

Simulation Design Overview

For the simulation design, transactions are sent from the Root Port Model to the Integrated Block core (configured as an Endpoint) and processed by the PIO example design.

[Figure 12-1](#) illustrates the simulation design provided with the Integrated Block core. For more information about the Root Port Model, see [Root Port Model Test Bench for Endpoint in Chapter 13](#).

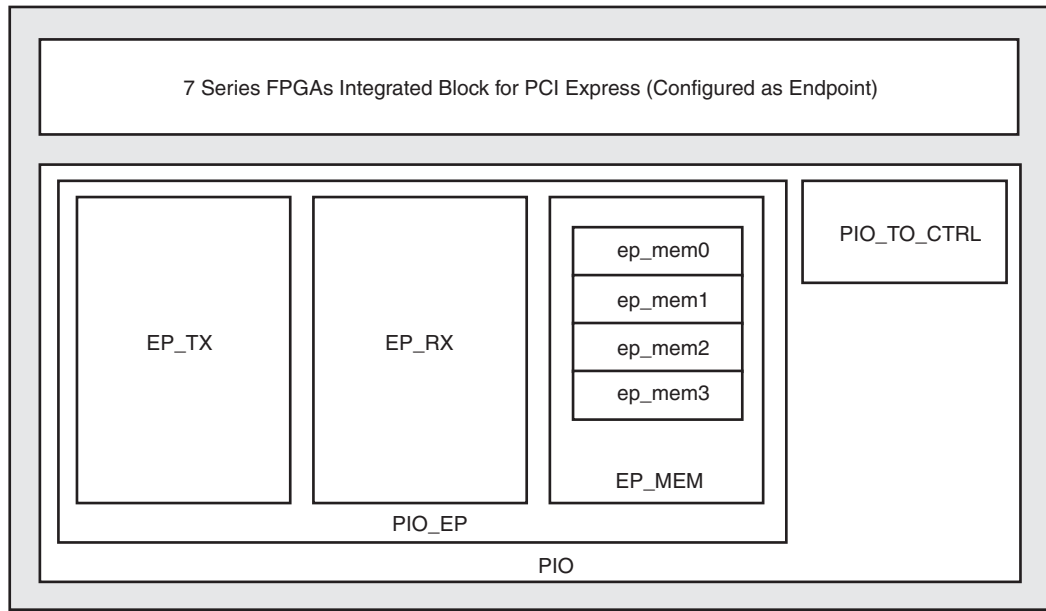


UG477_c3_01_021611

Figure 12-1: Simulation Example Design Block Diagram

Implementation Design Overview

The implementation design consists of a simple PIO example that can accept read and write transactions and respond to requests, as illustrated in Figure 12-2. Source code for the example is provided with the core. For more information about the PIO example design, see Chapter 13, Example Design and Model Test Bench for Endpoint Configuration.



UG477_c3_02_110310

Figure 12-2: Implementation Example Design Block Diagram

Example Design Elements

The PIO example design elements include:

- Core wrapper
- An example Verilog HDL or VHDL wrapper (instantiates the cores and example design)
- A customizable demonstration test bench to simulate the example design

The example design has been tested and verified with Xilinx ISE® Design Suite v14.4 and these simulators:

- Synopsys VCS and VCS MX
- Mentor Graphics ModelSim
- Cadence IES

For the supported versions of these tools, see the [Xilinx Design Tools: Release Notes Guide](#).

Generating the Core

To generate a core using the default values in the CORE Generator tool Graphical User Interface (GUI), follow these steps:

1. Start the CORE Generator tool.

For help starting and using the CORE Generator tool, see the *Xilinx CORE Generator Help*, available from the ISE tool documentation web page.

2. Select **File > New Project**.
3. Enter a project name and location.
4. Click **OK**.

This example uses `project_name.cgp` and `project_dir`. The Project Options dialog box appears (Figure 12-3).

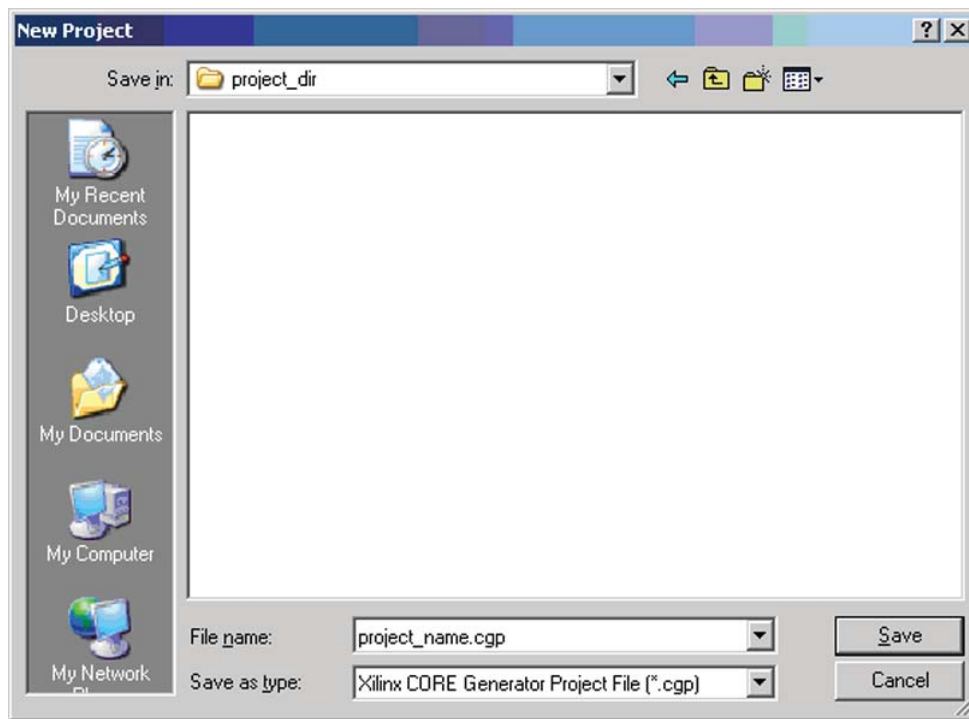


Figure 12-3: New Project Dialog Box

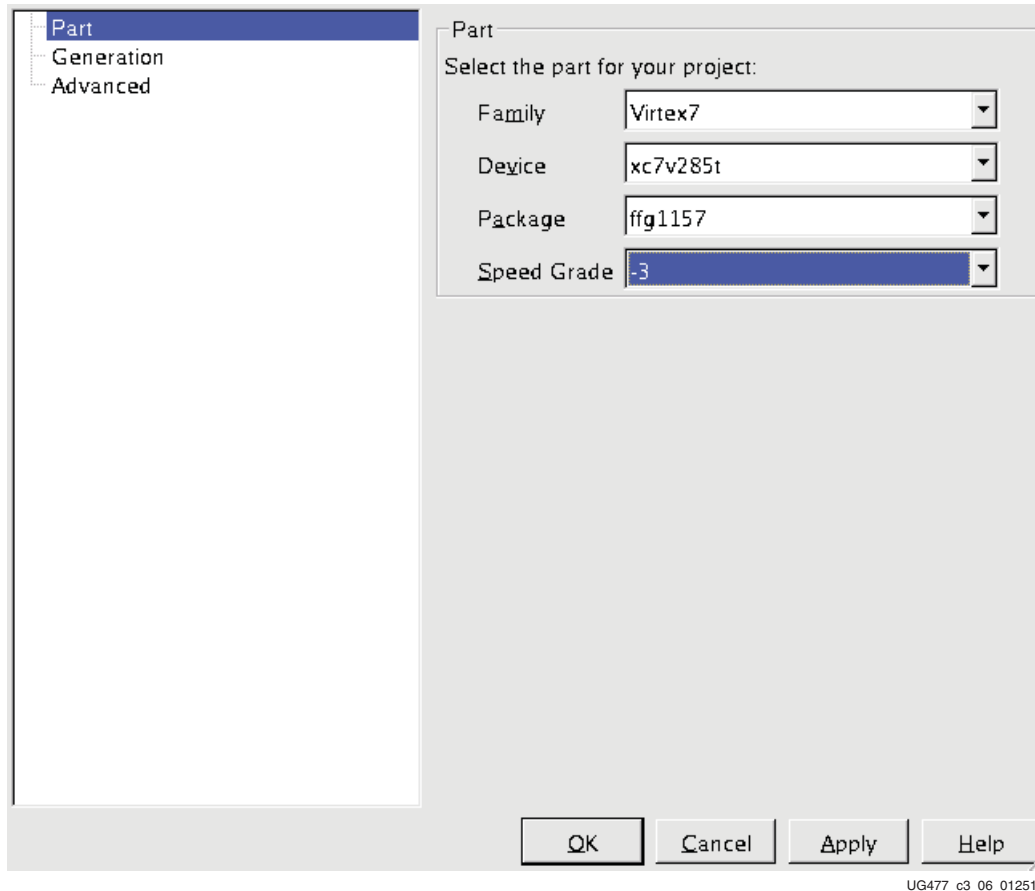


Figure 12-4: Project Options

5. Set the project options (Figure 12-4):

From the Part tab, select these options:

- **Family:** Virtex7
- **Device:** xc7v285t
- **Package:** ffg1157
- **Speed Grade:** -3

Note: If an unsupported silicon device is selected, the core is dimmed (unavailable) in the list of cores.

From the Generation tab, select these parameters and then click **OK**:

- **Design Entry:** Select **Verilog** or **VHDL**
 - **Vendor:** Select **ISE** (for XST)
6. Locate the core in the selection tree under Standard Bus Interfaces/PCI Express; then double-click the core name to display the Integrated Block main screen.

- In the Component Name field, enter a name for the core. <component_name> is used in this example.

Documents

LogiCORE 7 Series Integrated Block for PCI Express

xilinx.com/ip:pcie_7x:1.2

Component Name | pcie_7x_v1_2

PCIe Device / Port Type

The Integrated Block for PCI Express allows selection of the Device / Port Type

Device / Port Type | PCI Express Endpoint device

Number of Lanes

The Integrated Block for PCI Express requires that an initial lane width be selected. Wider lane width cores can train down to smaller lane widths if attached to a smaller lane width device. Select only the lane width that is necessary for the design.

Lane Width | X1

Link Speed

The Integrated Block for PCI Express allows selection of the Maximum Link Speed supported by the device.

2.5 GT/s

5.0 GT/s

Interface Width

The Integrated Block for PCI Express allows selection of Interface Width

64-bit

128-bit

Interface Frequency

The Integrated Block for PCI Express allows selection of the interface clock (trn_clk) frequency. The frequency selection enables maximum achievable data throughput for the selected number of lanes and link speed. Choice of non-default option results in interface being overclocked with no overall effect on data throughput, and depends on user application functional requirements, timing closure and power considerations. Xilinx recommends that the default frequency value be used where possible..

Frequency (MHz) | 62.5

Datasheet | < Back | Page 1 of 12 | Next > | Generate | Cancel | Help

Figure 12-5: Integrated Block CORE Generator Configuration GUI

- From the Device/Port Type drop-down menu, select the appropriate device/port type of the core (Endpoint or Root Port).
- Click **Generate** to generate the core using the default parameters. The core and its supporting files, including the example design and model test bench, are generated in the project directory. For detailed information about the example design files and directories, see [Directory and File Contents, page 346](#). In addition, see the README file.

Implementation

After generating the core, the netlists and the example design can be processed using the Xilinx implementation tools. The generated output files include scripts to assist in running the Xilinx software.

To implement the example design:

Open a command prompt or terminal window and type:

- Windows

```
ms-dos> cd <project_dir>\<component_name>\implement
ms-dos> implement.bat
```

- Linux

```
% cd <project_dir>/<component_name>/implement
% ./implement.sh
```

These commands execute a script that synthesizes, builds, maps, and place-and-routes the example design, and then generates a post-par simulation model for use in timing simulation. The resulting files are placed in the `results` directory and execute these processes:

1. Removes data files from the previous runs.
2. Synthesizes the example design using XST based on the flow settings in the Project Options window.
3. `ngdbuild`: Builds a Xilinx design database for the example design.
 - Inputs:

Part-Package-Speed Grade selection:

XC7V585T-FFG1157-3

Example design UCF:

xilinx_pcie_2_1_ep_7x_01_lane_gen1_xc7v585t-ffg1157-3-PCIE_X0Y0.ucf

4. `map`: Maps design to the selected FPGA using the constraints provided.
5. `par`: Places cells onto FPGA resources and routes connectivity.
6. `trce`: Performs static timing analysis on design using constraints specified.
7. `netgen`: Generates a logical Verilog or VHDL HDL representation of the design and an SDF file for post-layout verification.

These FPGA implementation related files are generated in the `results` directory:

- `routed.v[hd]`
Verilog or VHDL functional Model.
 - `routed.sdf`
Timing model Standard Delay File.
 - `mapped.mrp`
Xilinx map report.
 - `routed.par`
Xilinx place and route report.
 - `routed.twr`
Xilinx timing analysis report.
-

Simulation

The example design provides a quick way to simulate and observe the behavior of the core.

Endpoint Configuration

The simulation environment provided with the 7 Series FPGAs Integrated Block for PCI Express core in Endpoint configuration performs simple memory access tests on the PIO example design. Transactions are generated by the Root Port Model and responded to by the PIO example design.

- PCI Express Transaction Layer Packets (TLPs) are generated by the test bench transmit User Application (`pci_exp_usrapp_tx`). As it transmits TLPs, it also generates a log file, `tx.dat`.
- PCI Express TLPs are received by the test bench receive User Application (`pci_exp_usrapp_rx`). As the User Application receives the TLPs, it generates a log file, `rx.dat`.

For more information about the test bench, see [Root Port Model Test Bench for Endpoint in Chapter 13](#).

Setting Up for Simulation

To run the gate-level simulation, the Xilinx Simulation Libraries must be compiled for the user system. See the Compiling Xilinx Simulation Libraries (COMPXLIB) in the *Xilinx Synthesis and Simulation Design Guide (626)* [Ref 14] and the Command Line Tools User Guide (UG628) [Ref 13].

Simulator Requirements

7 Series device designs require a Verilog LRM-IEEE 1364-2005 encryption-compliant simulator. This core supports these simulators:

- Mentor Graphics ModelSim
- Cadence IES (Verilog only)
- Synopsys VCS and VCS MX (Verilog only)

Running the Simulation

The simulation scripts provided with the example design support pre-implementation (RTL) simulation. The existing test bench can be used to simulate with a post-implementation version of the example design.

The pre-implementation simulation consists of these components:

- Verilog or VHDL model of the test bench
- Verilog or VHDL RTL example design
- The Verilog or VHDL model of the 7 Series FPGAs Integrated Block for PCI Express

1. To run the simulation, go to this directory:

```
<project_dir>/<component_name>/simulation/functional
```

2. Launch the simulator and run the script that corresponds to the user simulation tool using one of these:

- **VCS** > `./simulate_vcs.sh`
- **IES** > `./simulate_ncsim.sh`
- **ModelSim** > `do simulate_mti.do`

Example Design and Model Test Bench for Endpoint Configuration

Programmed Input/Output: Endpoint Example Design

Programmed Input/Output (PIO) transactions are generally used by a PCI Express® system host CPU to access Memory Mapped Input/Output (MMIO) and Configuration Mapped Input/Output (CMIO) locations in the PCI Express logic. Endpoints for PCI Express accept Memory and I/O Write transactions and respond to Memory and I/O Read transactions with Completion with Data transactions.

The PIO example design (PIO design) is included with the Xilinx® 7 Series FPGAs Integrated Block for PCI Express in Endpoint configuration generated by the CORE Generator™ tool, which allows users to bring up their system board with a known established working design to verify the link and functionality of the board.

Note: The PIO design Port Model is shared by the 7 Series FPGAs Integrated Block for PCI Express, Endpoint Block Plus for PCI Express, and Endpoint PIPE for PCI Express solutions. This appendix represents all the solutions generically using the name Endpoint for PCI Express (or Endpoint for PCIe®).

System Overview

The PIO design is a simple target-only application that interfaces with the Endpoint for PCIe core's Transaction (AXI4-Stream) interface and is provided as a starting point for customers to build their own designs. These features are included:

- Four transaction-specific 2 KB target regions using the internal Xilinx® FPGA block RAMs, providing a total target space of 8192 bytes
- Supports single DWORD payload Read and Write PCI Express transactions to 32-/64-bit address memory spaces and I/O space with support for completion TLPs
- Utilizes the core's (rx_bar_hit[7:0]) m_axis_rx_tuser[9:2] signals to differentiate between TLP destination Base Address Registers

- Provides separate implementations optimized for 32-bit, 64-bit, and 128-bit AXI4-Stream interfaces

Figure 13-1 illustrates the PCI Express system architecture components, consisting of a Root Complex, a PCI Express switch device, and an Endpoint for PCIe. PIO operations move data *downstream* from the Root Complex (CPU register) to the Endpoint, and/or *upstream* from the Endpoint to the Root Complex (CPU register). In either case, the PCI Express protocol request to move the data is initiated by the host CPU.

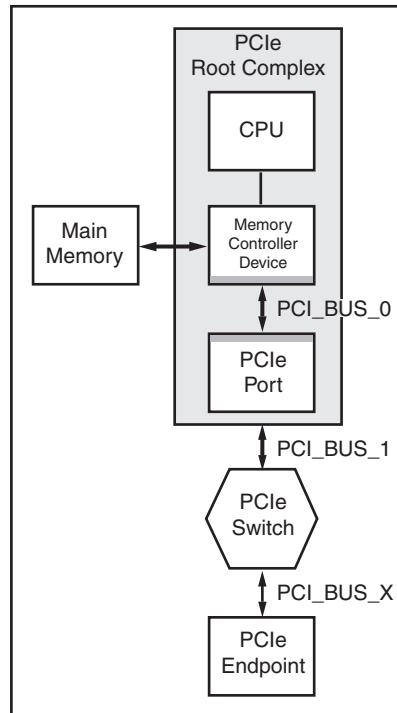


Figure 13-1: System Overview

Data is moved downstream when the CPU issues a store register to a MMIO address command. The Root Complex typically generates a Memory Write TLP with the appropriate MMIO location address, byte enables, and the register contents. The transaction terminates when the Endpoint receives the Memory Write TLP and updates the corresponding local register.

Data is moved upstream when the CPU issues a load register from a MMIO address command. The Root Complex typically generates a Memory Read TLP with the appropriate MMIO location address and byte enables. The Endpoint generates a Completion with Data TLP after it receives the Memory Read TLP. The Completion is steered to the Root Complex and payload is loaded into the target register, completing the transaction.

PIO Hardware

The PIO design implements a 8192 byte target space in FPGA block RAM, behind the Endpoint for PCIe. This 32-bit target space is accessible through single DWORD I/O Read, I/O Write, Memory Read 64, Memory Write 64, Memory Read 32, and Memory Write 32 TLPs.

The PIO design generates a completion with one DWORD of payload in response to a valid Memory Read 32 TLP, Memory Read 64 TLP, or I/O Read TLP request presented to it by the core. In addition, the PIO design returns a completion without data with successful status for I/O Write TLP request.

The PIO design processes a Memory or I/O Write TLP with one DWORD payload by updating the payload into the target address in the FPGA block RAM space.

Base Address Register Support

The PIO design supports four discrete target spaces, each consisting of a 2 KB block of memory represented by a separate Base Address Register (BAR). Using the default parameters, the CORE Generator tool produces a core configured to work with the PIO design defined in this section, consisting of:

- One 64-bit addressable Memory Space BAR
- One 32-bit Addressable Memory Space BAR

Users can change the default parameters used by the PIO design; however, in some cases they might need to change the back-end User Application depending on their system. See [Changing CORE Generator Tool Default BAR Settings](#) for information about changing the default CORE Generator tool parameters and the effect on the PIO design.

Each of the four 2 KB address spaces represented by the BARs corresponds to one of four 2 KB address regions in the PIO design. Each 2 KB region is implemented using a 2 KB dual-port block RAM. As transactions are received by the core, the core decodes the address and determines which of the four regions is being targeted. The core presents the TLP to the PIO design and asserts the appropriate bits of (rx_bar_hit[7:0]) m_axis_rx_tuser[9:2], as defined in [Table 13-1](#).

Table 13-1: TLP Traffic Types

Block RAM	TLP Transaction Type	Default BAR	rx_bar_hit[7:0]
ep_mem0	I/O TLP transactions	Disabled	Disabled
ep_mem1	32-bit address Memory TLP transactions	2	0000_0100b
ep_mem2	64-bit address Memory TLP transactions	0-1	0000_0010b
ep_mem3	32-bit address Memory TLP transactions destined for EROM	Expansion ROM	0100_0000b

Changing CORE Generator Tool Default BAR Settings

Users can change the CORE Generator tool parameters and continue to use the PIO design to create customized Verilog or VHDL source to match the selected BAR settings. However, because the PIO design parameters are more limited than the core parameters, consider these example design limitations when changing the default CORE Generator tool parameters:

- The example design supports one I/O space BAR, one 32-bit Memory space (that cannot be the Expansion ROM space), and one 64-bit Memory space. If these limits are exceeded, only the first space of a given type is active—accesses to the other spaces do not result in completions.
- Each space is implemented with a 2 KB memory. If the corresponding BAR is configured to a wider aperture, accesses beyond the 2 KB limit wrap around and overlap the 2 KB memory space.
- The PIO design supports one I/O space BAR, which by default is disabled, but can be changed if desired.

Although there are limitations to the PIO design, Verilog or VHDL source code is provided so users can tailor the example design to their specific needs.

TLP Data Flow

This section defines the data flow of a TLP successfully processed by the PIO design. For detailed information about the interface signals within the sub-blocks of the PIO design, see [Receive Path, page 369](#) and [Transmit Path, page 370](#).

The PIO design successfully processes single DWORD payload Memory Read and Write TLPs and I/O Read and Write TLPs. Memory Read or Memory Write TLPs of lengths larger than one DWORD are not processed correctly by the PIO design; however, the core *does* accept these TLPs and passes them along to the PIO design. If the PIO design receives a TLP with a length of greater than one DWORD, the TLP is received completely from the core and discarded. No corresponding completion is generated.

Memory and I/O Write TLP Processing

When the Endpoint for PCIe receives a Memory or I/O Write TLP, the TLP destination address and transaction type are compared with the values in the core BARs. If the TLP passes this comparison check, the core passes the TLP to the Receive AXI4-Stream interface of the PIO design. The PIO design handles Memory writes and I/O TLP writes in different ways: the PIO design responds to *I/O writes* by generating a Completion Without Data (cpl), a requirement of the PCI Express specification.

Along with the start of packet, end of packet, and ready handshaking signals, the Receive AXI4-Stream interface also asserts the appropriate (rx_bar_hit[7:0]) m_axis_rx_tuser[9:2] signal to indicate to the PIO design the specific destination BAR that matched the incoming

TLP. On reception, the PIO design's RX State Machine processes the incoming Write TLP and extracts the TLPs data and relevant address fields so that it can pass this along to the PIO design's internal block RAM write request controller.

Based on the specific `rx_bar_hit[7:0]` signal asserted, the RX State Machine indicates to the internal write controller the appropriate 2 KB block RAM to use prior to asserting the write enable request. For example, if an I/O Write Request is received by the core targeting BAR0, the core passes the TLP to the PIO design and asserts `rx_bar_hit[0]`. The RX State machine extracts the lower address bits and the data field from the I/O Write TLP and instructs the internal Memory Write controller to begin a write to the block RAM.

In this example, the assertion of `rx_bar_hit[0]` instructed the PIO memory write controller to access `ep_mem0` (which by default represents 2 KB of I/O space). While the write is being carried out to the FPGA block RAM, the PIO design RX state machine deasserts the `m_axis_rx_tready`, causing the Receive AXI4-Stream interface to stall receiving any further TLPs until the internal Memory Write controller completes the write to the block RAM. Deasserting `m_axis_rx_tready` in this way is not required for all designs using the core—the PIO design uses this method to simplify the control logic of the RX state machine.

Memory and I/O Read TLP Processing

When the Endpoint for PCIe receives a Memory or I/O Read TLP, the TLP destination address and transaction type are compared with the values programmed in the core BARs. If the TLP passes this comparison check, the core passes the TLP to the Receive AXI4-Stream interface of the PIO design.

Along with the start of packet, end of packet, and ready handshaking signals, the Receive AXI4-Stream interface also asserts the appropriate `rx_bar_hit[7:0]` signal to indicate to the PIO design the specific destination BAR that matched the incoming TLP. On reception, the PIO design's state machine processes the incoming Read TLP and extracts the relevant TLP information and passes it along to the PIO design's internal block RAM read request controller.

Based on the specific `rx_bar_hit[7:0]` signal asserted, the RX state machine indicates to the internal read request controller the appropriate 2 KB block RAM to use before asserting the read enable request. For example, if a Memory Read 32 Request TLP is received by the core targeting the default MEM32 BAR2, the core passes the TLP to the PIO design and asserts `rx_bar_hit[2]`. The RX State machine extracts the lower address bits from the Memory 32 Read TLP and instructs the internal Memory Read Request controller to start a read operation.

In this example, the assertion of `rx_bar_hit[2]` instructs the PIO memory read controller to access the Mem32 space, which by default represents 2 KB of memory space. A notable difference in handling of memory write and read TLPs is the requirement of the receiving device to return a Completion with Data TLP in the case of memory or I/O read request.

While the read is being processed, the PIO design RX state machine deasserts `m_axis_rx_tready`, causing the Receive AXI4-Stream interface to stall receiving any further

TLPs until the internal Memory Read controller completes the read access from the block RAM and generates the completion. Deasserting `m_axis_rx_tready` in this way is not required for all designs using the core. The PIO design uses this method to simplify the control logic of the RX state machine.

PIO File Structure

Table 13-2 defines the PIO design file structure. Based on the specific core targeted, not all files delivered by the CORE Generator tool are necessary, and some files might not be delivered. The major difference is that some of the Endpoint for PCIe solutions use a 32-bit user datapath, others use a 64-bit datapath, and the PIO design works with both. The width of the datapath depends on the specific core being targeted.

Table 13-2: PIO Design File Structure

File	Description
<code>PIO.v</code>	Top-level design wrapper
<code>PIO_EP.v</code>	PIO application module
<code>PIO_TO_CTRL.v</code>	PIO turn-off controller module
<code>PIO_32_RX_ENGINE.v</code>	32-bit Receive engine
<code>PIO_32_TX_ENGINE.v</code>	32-bit Transmit engine
<code>PIO_64_RX_ENGINE.v</code>	64-bit Receive engine
<code>PIO_64_TX_ENGINE.v</code>	64-bit Transmit engine
<code>PIO_128_RX_ENGINE.v</code>	128-bit Receive engine
<code>PIO_128_TX_ENGINE.v</code>	128-bit Transmit engine
<code>PIO_EP_MEM_ACCESS.v</code>	Endpoint memory access module
<code>PIO_EP_MEM.v</code>	Endpoint memory

Three configurations of the PIO design are provided: `PIO_32`, `PIO_64`, and `PIO_128` with 32-, 64-, and 128-bit AXI4-Stream interfaces, respectively. The PIO configuration generated depends on the selected Endpoint type (that is, 7 series FPGAs integrated block, PIPE, PCI Express, and Block Plus) as well as the number of PCI Express lanes and the interface width selected by the user. Table 13-3 identifies the PIO configuration generated based on the user's selection.

Table 13-3: PIO Configuration

Core	x1	x2	x4	x8
Endpoint for PIPE	<code>PIO_32</code>	NA	NA	NA
Endpoint for PCI Express	<code>PIO_32</code>	NA	<code>PIO_64</code>	<code>PIO_64</code>
Endpoint for PCI Express Block Plus	<code>PIO_64</code>	NA	<code>PIO_64</code>	<code>PIO_64</code>
Virtex-6 FPGA Integrated Block	<code>PIO_64</code>	<code>PIO_64</code>	<code>PIO_64</code>	<code>PIO_64</code> , <code>PIO_128</code> ⁽¹⁾

Table 13-3: PIO Configuration (Cont'd)

Core	x1	x2	x4	x8
Spartan®-6 FPGA Integrated Endpoint Block	PIO_32	NA	NA	NA
7 Series FPGAs Integrated Block	PIO_64	PIO_64	PIO_64, PIO_128	PIO_64, PIO_128

Notes:

1. The PIO_128 configuration is only provided for the 128-bit x8 5.0 Gb/s, x8 2.5 Gb/s, and x4 5.0 Gb/s cores.

Figure 13-2 shows the various components of the PIO design, which is separated into four main parts: the TX Engine, RX Engine, Memory Access Controller, and Power Management Turn-Off Controller.

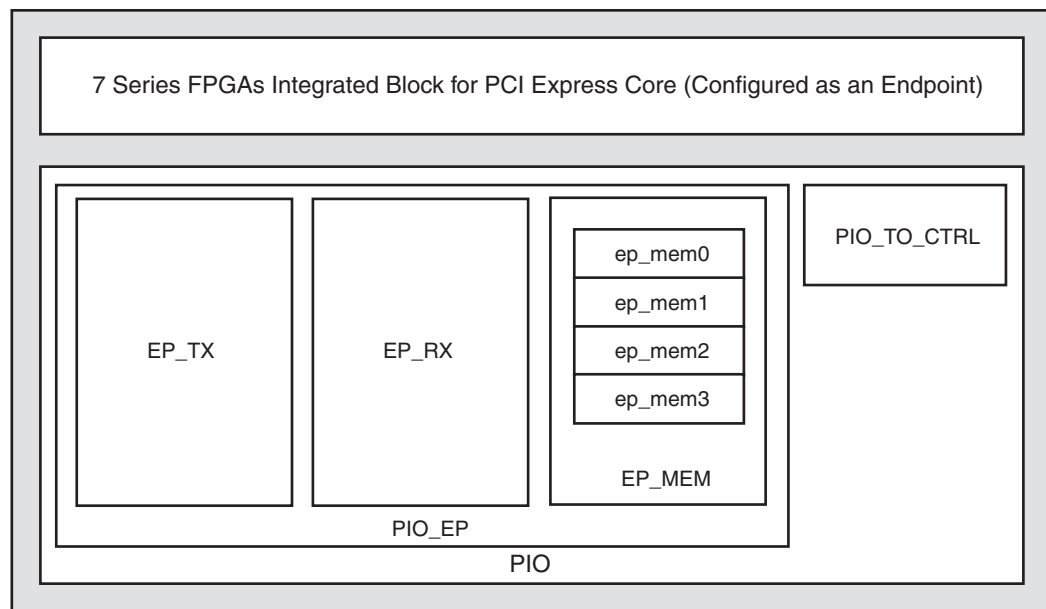


Figure 13-2: PIO Design Components

PIO Application

Figure 13-3, Figure 13-4, and Figure 13-5 depict 128-bit, 64-bit, and 32-bit PIO application top-level connectivity, respectively. The datapath width (32, 64, or 128 bits) depends on which Endpoint for PCIe core is used. The PIO_EP module contains the PIO FPGA block RAM modules and the transmit and receive engines. The PIO_TO_CTRL module is the Endpoint Turn-Off controller unit, which responds to power turn-off message from the host CPU with an acknowledgment.

The PIO_EP module connects to the Endpoint AXI4-Stream and Configuration (cfg) interfaces.

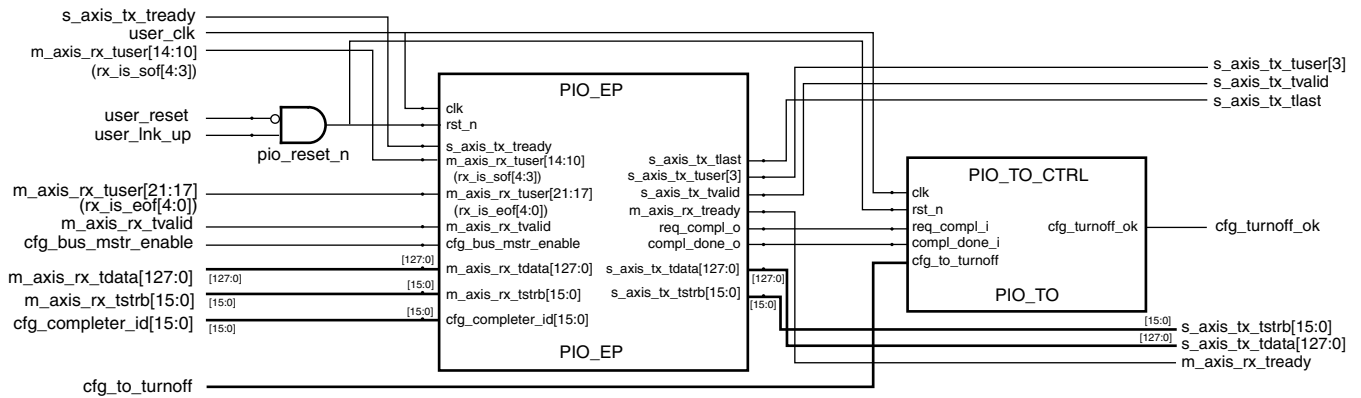


Figure 13-3: PIO 128-Bit Application

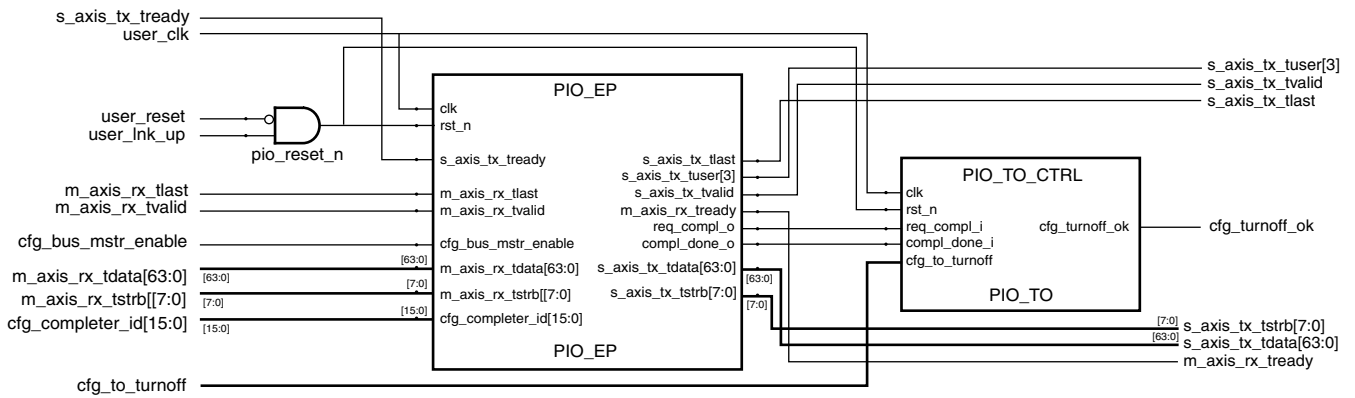


Figure 13-4: PIO 64-Bit Application

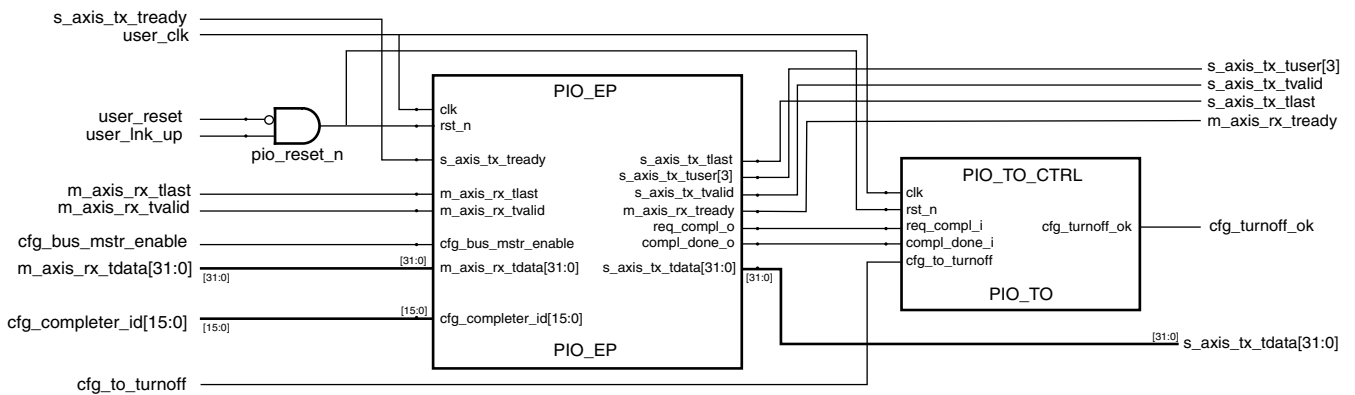


Figure 13-5: PIO 32-Bit Application

Receive Path

Figure 13-6 illustrates the PIO_32_RX_ENGINE, PIO_64_RX_ENGINE, and PIO_128_RX_ENGINE modules. The datapath of the module must match the datapath of the core being used. These modules connect with Endpoint for PCIe Receive interface.

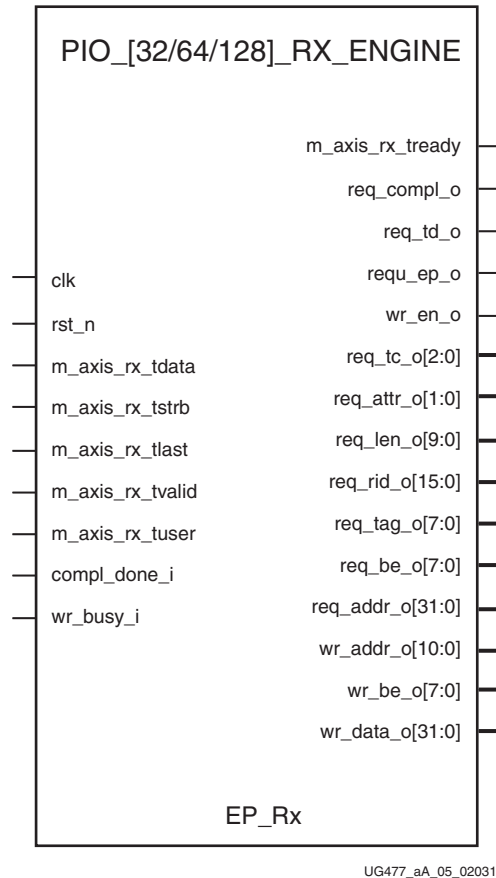


Figure 13-6: RX Engines

The PIO_32_RX_ENGINE, PIO_64_RX_ENGINE and PIO_128_RX_ENGINE modules receive and parse incoming read and write TLPs.

The RX engine parses one DWORD 32- and 64-bit addressable memory and I/O read requests. The RX state machine extracts needed information from the TLP and passes it to the memory controller, as defined in Table 13-4.

Table 13-4: RX Engine: Read Outputs

Port	Description
req_compl_o	Completion request (active-High)
req_td_o	Request TLP Digest bit
req_ep_o	Request Error Poisoning bit

Table 13-4: RX Engine: Read Outputs (Cont'd)

Port	Description
req_tc_o[2:0]	Request Traffic Class
req_attr_o[1:0]	Request Attributes
req_len_o[9:0]	Request Length
req_rid_o[15:0]	Request Requester Identifier
req_tag_o[7:0]	Request Tag
req_be_o[7:0]	Request Byte Enable
req_addr_o[10:0]	Request Address

The RX Engine parses one DWORD 32- and 64-bit addressable memory and I/O write requests. The RX state machine extracts needed information from the TLP and passes it to the memory controller, as defined in Table 13-5.

Table 13-5: Rx Engine: Write Outputs

Port	Description
wr_en_o	Write received
wr_addr_o[10:0]	Write address
wr_be_o[7:0]	Write byte enable
wr_data_o[31:0]	Write data

The read datapath stops accepting new transactions from the core while the application is processing the current TLP. This is accomplished by m_axis_rx_tready deassertion. For an ongoing Memory or I/O Read transaction, the module waits for compl_done_i input to be asserted before it accepts the next TLP, while an ongoing Memory or I/O Write transaction is deemed complete after wr_busy_i is deasserted.

Transmit Path

Figure 13-7 shows the PIO_32_TX_ENGINE, PIO_64_TX_ENGINE, and PIO_128_TX_ENGINE modules. The datapath of the module must match the datapath of the core being used. These modules connect with the core Transmit interface.

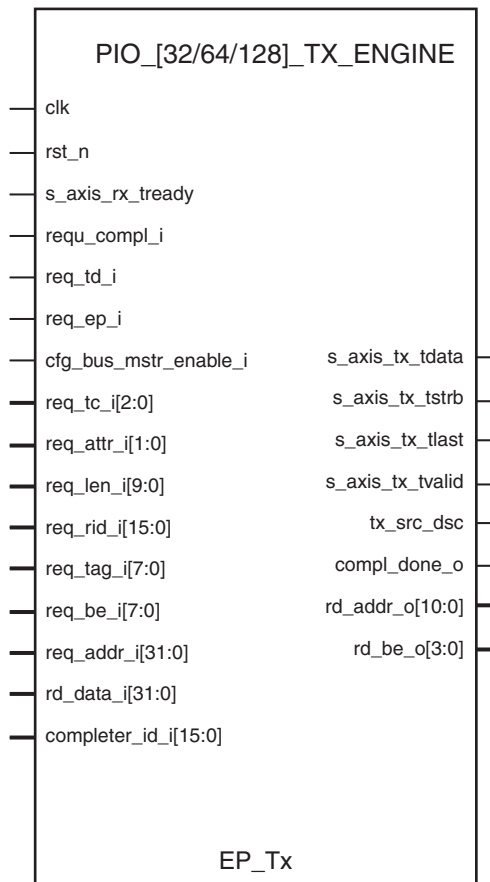


Figure 13-7: TX Engines

The PIO_32_TX_ENGINE, PIO_64_TX_ENGINE, and PIO_128_TX_ENGINE modules generate completions for received memory and I/O read TLPs. The PIO design does not generate outbound read or write requests. However, users can add this functionality to further customize the design.

The PIO_32_TX_ENGINE, PIO_64_TX_ENGINE, and PIO_128_TX_ENGINE modules generate completions in response to one DWORD 32- and 64-bit addressable memory and I/O read requests. Information necessary to generate the completion is passed to the TX Engine, as defined in Table 13-6.

Table 13-6: TX Engine Inputs

Port	Description
req_compl_i	Completion request (active-High)
req_td_i	Request TLP Digest bit
req_ep_i	Request Error Poisoning bit
req_tc_i[2:0]	Request Traffic Class
req_attr_i[1:0]	Request Attributes

Table 13-6: TX Engine Inputs (Cont'd)

Port	Description
req_len_i[9:0]	Request Length
req_rid_i[15:0]	Request Requester Identifier
req_tag_i[7:0]	Request Tag
req_be_i[7:0]	Request Byte Enable
req_addr_i[10:0]	Request Address

After the completion is sent, the TX engine asserts the compl_done_i output indicating to the RX engine that it can assert m_axis_rx_tready and continue receiving TLPs.

Endpoint Memory

Figure 13-8 displays the PIO_EP_MEM_ACCESS module. This module contains the Endpoint memory space.

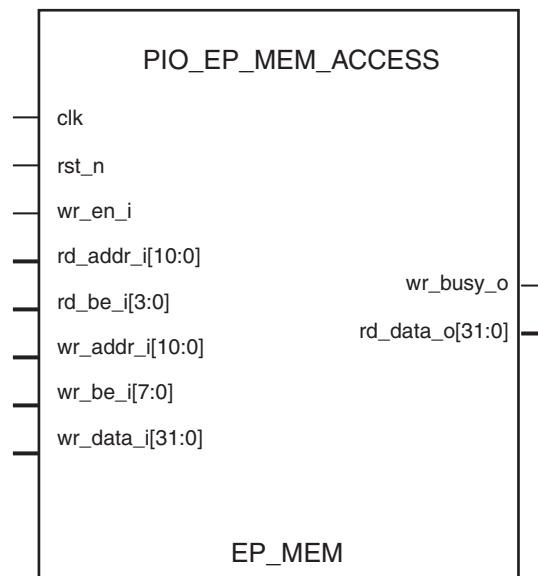


Figure 13-8: EP Memory Access

The PIO_EP_MEM_ACCESS module processes data written to the memory from incoming Memory and I/O Write TLPs and provides data read from the memory in response to Memory and I/O Read TLPs.

The EP_MEM module processes one DWORD 32- and 64-bit addressable Memory and I/O Write requests based on the information received from the RX Engine, as defined in Table 13-7. While the memory controller is processing the write, it asserts the wr_busy_o output indicating it is busy.

Table 13-7: EP Memory: Write Inputs

Port	Description
wr_en_i	Write received
wr_addr_i[10:0]	Write address
wr_be_i[7:0]	Write byte enable
wr_data_i[31:0]	Write data

Both 32- and 64-bit Memory and I/O Read requests of one DWORD are processed based on the inputs defined in Table 13-8. After the read request is processed, the data is returned on rd_data_o[31:0].

Table 13-8: EP Memory: Read Inputs

Port	Description
req_be_i[7:0]	Request Byte Enable
req_addr_i[31:0]	Request Address

PIO Operation

PIO Read Transaction

Figure 13-9 depicts a Back-to-Back Memory Read request to the PIO design. The receive engine deasserts m_axis_rx_tready as soon as the first TLP is completely received. The next Read transaction is accepted only after compl_done_o is asserted by the transmit engine, indicating that Completion for the first request was successfully transmitted.

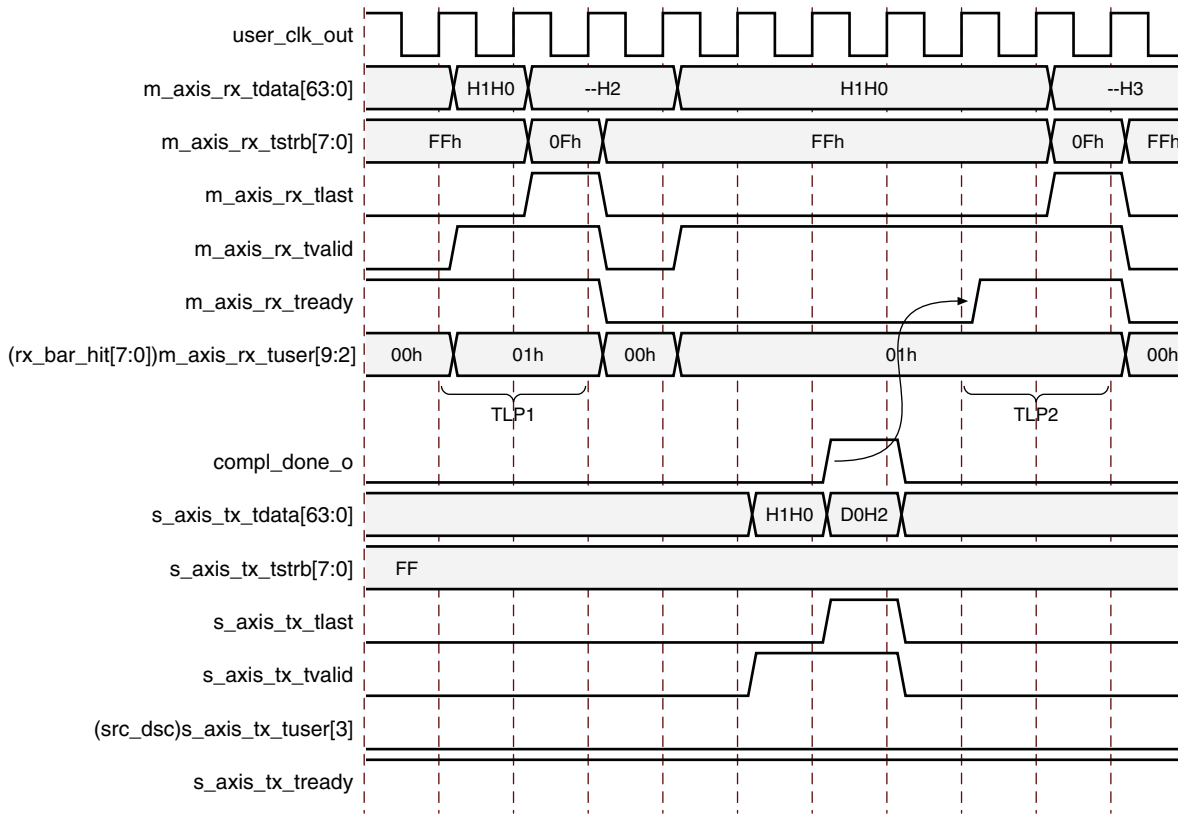


Figure 13-9: Back-to-Back Read Transactions

PIO Write Transaction

Figure 13-10 depicts a back-to-back Memory Write to the PIO design. The next Write transaction is accepted only after `wr_busy_o` is deasserted by the memory access unit, indicating that data associated with the first request was successfully written to the memory aperture.

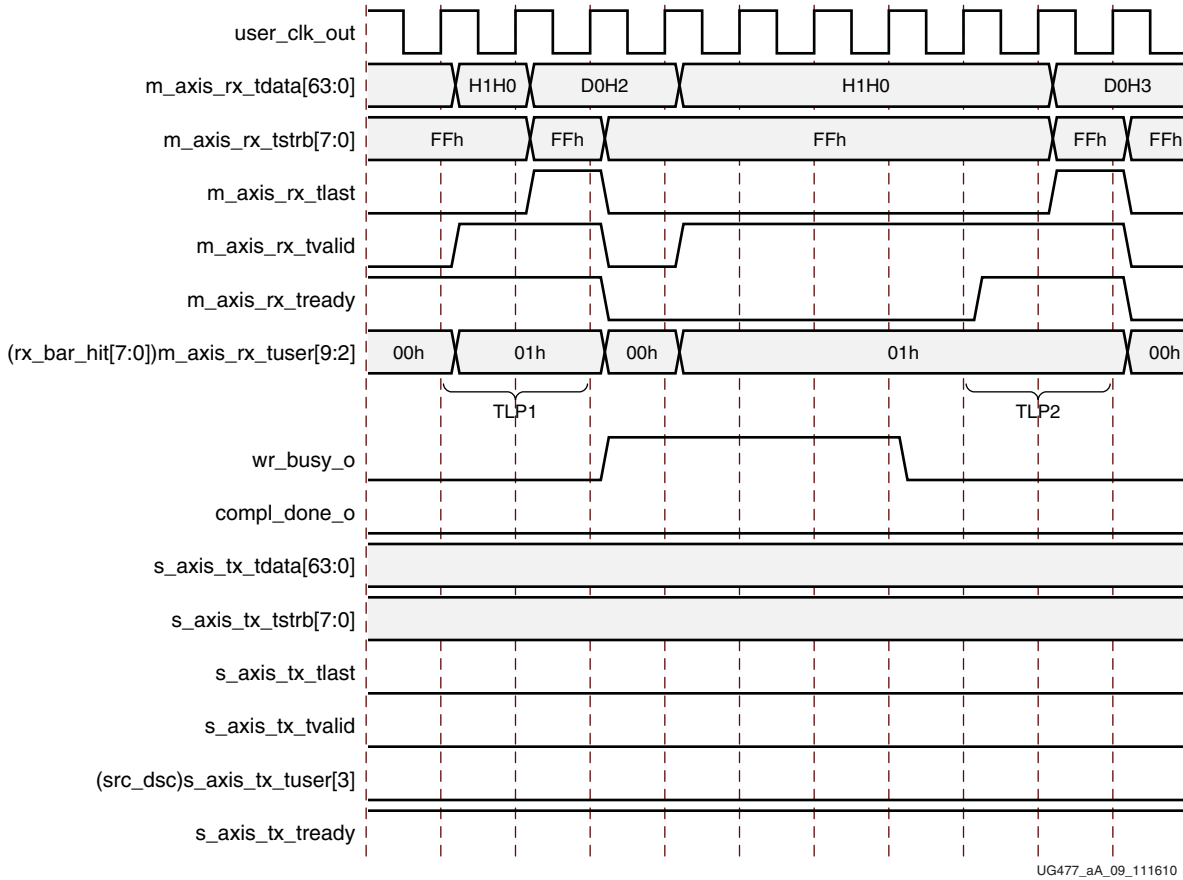


Figure 13-10: Back-to-Back Write Transactions

Device Utilization

Table 13-9 shows the PIO design FPGA resource utilization.

Table 13-9: PIO Design FPGA Resources

Resources	Utilization
LUTs	300
Flip-Flops	500
Block RAMs	4

Summary

The PIO design demonstrates the Endpoint for PCIe and its interface capabilities. In addition, it enables rapid bring-up and basic validation of end user Endpoint add-in card FPGA hardware on PCI Express platforms. Users can leverage standard operating system utilities that enable generation of read and write transactions to the target space in the reference design.

Root Port Model Test Bench for Endpoint

The PCI Express Root Port Model is a robust test bench environment that provides a test program interface that can be used with the provided PIO design or with the user's design. The purpose of the Root Port Model is to provide a source mechanism for generating downstream PCI Express TLP traffic to stimulate the customer design, and a destination mechanism for receiving upstream PCI Express TLP traffic from the customer design in a simulation environment.

Source code for the Root Port Model is included to provide the model for a starting point for the user test bench. All the significant work for initializing the core's configuration space, creating TLP transactions, generating TLP logs, and providing an interface for creating and verifying tests are complete, allowing the user to dedicate efforts to verifying the correct functionality of the design rather than spending time developing an Endpoint core test bench infrastructure.

The Root Port Model consists of:

- Test Programming Interface (TPI), which allows the user to stimulate the Endpoint device for the PCI Express
- Example tests that illustrate how to use the test program TPI
- Verilog or VHDL source code for all Root Port Model components, which allow the user to customize the test bench

[Figure 13-11](#) illustrates the illustrates the Root Port Model coupled with the PIO design.

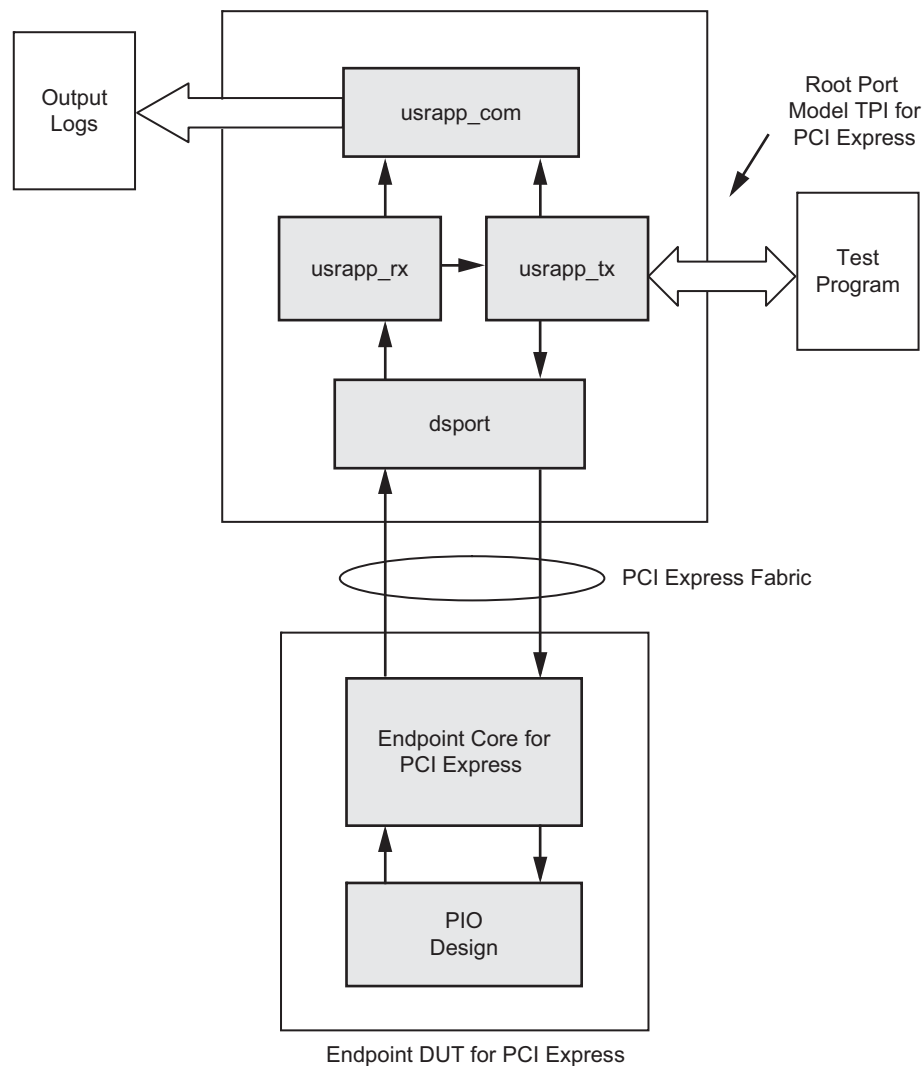


Figure 13-11: Root Port Model and Top-Level Endpoint

Architecture

The Root Port Model consists of these blocks, illustrated in [Figure 13-11](#):

- dsport (Root Port)
- usrapp_tx
- usrapp_rx
- usrapp_com (Verilog only)

The `usrapp_tx` and `usrapp_rx` blocks interface with the `dsport` block for transmission and reception of TLPs to/from the Endpoint Design Under Test (DUT). The Endpoint DUT consists of the Endpoint for PCIe and the PIO design (displayed) or customer design.

The `usrapp_tx` block sends TLPs to the `dsport` block for transmission across the PCI Express Link to the Endpoint DUT. In turn, the Endpoint DUT device transmits TLPs across the PCI Express Link to the `dsport` block, which are subsequently passed to the `usrapp_rx` block. The `dsport` and `core` are responsible for the data link layer and physical link layer processing when communicating across the PCI Express logic. Both `usrapp_tx` and `usrapp_rx` utilize the `usrapp_com` block for shared functions, for example, TLP processing and log file outputting. Transaction sequences or test programs are initiated by the `usrapp_tx` block to stimulate the fabric interface of the Endpoint device. TLP responses from the Endpoint device are received by the `usrapp_rx` block. Communication between the `usrapp_tx` and `usrapp_rx` blocks allow the `usrapp_tx` block to verify correct behavior and act accordingly when the `usrapp_rx` block has received TLPs from the Endpoint device.

Simulating the Design

Four simulation script files are provided with the model to facilitate simulation with Synopsys VCS and VCS MX, Cadence IES, and Mentor Graphics ModelSim tools:

- `simulate_vcs.sh` (Verilog Only)
- `simulate_ncsim.sh`
- `simulate_mti.do`

The example simulation script files are located in this directory:

```
<project_dir>/<component_name>/simulation/functional
```

Instructions for simulating the PIO design using the Root Port Model are provided in [Chapter 12, Example Design](#).

Note: For Cadence IES users, the `work` construct must be manually inserted into the `cds.lib` file:
`DEFINE WORK WORK.`

Scaled Simulation Timeouts

The simulation model of the 7 Series FPGAs Integrated Block for PCI Express uses scaled down times during link training to allow for the link to train in a reasonable amount of time during simulation. According to the *PCI Express Specification, rev. 2.1* [Ref 2], there are various timeouts associated with the link training and status state machine (LTSSM) states. The 7 series FPGAs integrated block scales these timeouts by a factor of 256 in simulation, except in the `Recovery Speed_1` LTSSM state, where the timeouts are not scaled.

Test Selection

[Table 13-10](#) describes the tests provided with the Root Port Model, followed by specific sections for VHDL and Verilog test selection.

Table 13-10: Root Port Model Provided Tests

Test Name	Test in VHDL/ Verilog	Description
sample_smoke_test0	Verilog and VHDL	Issues a PCI Type 0 Configuration Read TLP and waits for the completion TLP; then compares the value returned with the expected Device/Vendor ID value.
sample_smoke_test1	Verilog	Performs the same operation as sample_smoke_test0 but makes use of expectation tasks. This test uses two separate test program threads: one thread issues the PCI Type 0 Configuration Read TLP and the second thread issues the Completion with Data TLP expectation task. This test illustrates the form for a parallel test that uses expectation tasks. This test form allows for confirming reception of any TLPs from the customer's design. Additionally, this method can be used to confirm reception of TLPs when ordering is unimportant.

VHDL Test Selection

Test selection is implemented in the VHDL Downstream Port Model by overriding the `test_selector` generic within the `tests` entity. The `test_selector` generic is a string with a one-to-one correspondence to each test within the `tests` entity.

The user can modify the generic mapping of the instantiation of the `tests` entity within the `pci_exp_usrapp_tx` entity. Currently, there is one test defined inside the `tests` entity, `sample_smoke_test0`. Additional customer-defined tests should be added inside `tests.vhd`. Currently, specific tests cannot be selected from the VHDL simulation scripts.

Verilog Test Selection

The Verilog test model used for the Root Port Model lets the user specify the name of the test to be run as a command line parameter to the simulator. For example, the `simulate_ncsim.sh` script file, used to start the Cadence IES simulator, can be modified to explicitly specify the test `sample_smoke_test0` to be run using this command line syntax:

```
ncsim work.board +TESTNAME=sample_smoke_test0
```

To change the test to be run, change the value provided to `TESTNAME` defined in the test files `sample_tests1.v` and `pio_tests.v`. The same mechanism is used for VCS and ModelSim. ISim uses the `-testplusarg` options to specify `TESTNAME`, for example:

```
demo_tb.exe -gui -view wave.wcfg -wdb wave_isim -tclbatch
isim_cmd.tcl -testplusarg TESTNAME=sample_smoke_test0.
```

VHDL and Verilog Root Port Model Differences

These subsections identify differences between the VHDL and Verilog Root Port Model.

Verilog Expectation Tasks

The most significant difference between the Verilog and the VHDL test bench is that the Verilog test bench has Expectation Tasks. Expectation tasks are API calls used in conjunction with a bus mastering customer design. The test program issues a series of expectation task calls, that is, the task calls expect a memory write TLP and a memory read TLP. If the customer design does not respond with the expected TLPs, the test program fails. This functionality was implemented using the fork-join construct in Verilog, which is not available in VHDL and subsequently not implemented.

Verilog Command Line versus VHDL tests.vhd Module

The Verilog test bench allows test programs to be specified at the command line, while the VHDL test bench specifies test programs within the `tests.vhd` module.

Generating Wave Files

- The Verilog test bench uses `recordvars` and `dumpfile` commands within the code to generate wave files.
- The VHDL test bench leaves the generating wave file functionality up to the simulator.

Speed Differences

The VHDL test bench is slower than the Verilog test bench, especially when testing the x8 core. For initial design simulation and speed enhancement, the user might want to use the x1 core, identify basic functionality issues, and then move to x2, x4, or x8 simulation when testing design performance.

Waveform Dumping

Table 13-11 describes the available simulator waveform dump file formats, each of which is provided in the simulator's native file format. The same mechanism is used for VCS and ModelSim.

Table 13-11: Simulator Dump File Format

Simulator	Dump File Format
Synopsys VCS	.vpd
Mentor Graphics ModelSim	.vcd
Cadence IES	.trn

VHDL Flow

Waveform dumping in the VHDL flow does not use the `+dump_all` mechanism described in the [Verilog Flow](#) section. Because the VHDL language itself does not provide a common interface for dumping waveforms, each VHDL simulator has its own interface for supporting

waveform dumping. For both the supported ModelSim and IES flows, dumping is supported by invoking the VHDL simulator command line with a command line option that specifies the respective waveform command file, `wave.do` (ModelSim), `wave.sv` (IES), and `wave.wcfg` (ISim). This command line can be found in the respective simulation script files `simulate_mti.do`, `simulate_ncsim.sh`, and `simulate_isim.bat` [.sh].

ModelSim

This command line initiates waveform dumping for the ModelSim flow using the VHDL test bench:

```
>vsim +notimingchecks -do wave.do -L unisim -L work work.board
```

IES

This command line initiates waveform dumping for the IES flow using the VHDL test bench:

```
>ncsim -gui work.board -input @"simvision -input wave.sv"
```

Verilog Flow

The Root Port Model provides a mechanism for outputting the simulation waveform to file by specifying the `+dump_all` command line parameter to the simulator.

For example, the script file `simulate_ncsim.sh` (used to start the Cadence IES simulator) can indicate to the Root Port Model that the waveform should be saved to a file using this command line:

```
ncsim work.board +TESTNAME=sample_smoke_test0 +dump_all
```

Output Logging

When a test fails on the example or customer design, the test programmer debugs the offending test case. Typically, the test programmer inspects the wave file for the simulation and cross-reference this to the messages displayed on the standard output. Because this approach can be very time consuming, the Root Port Model offers an output logging mechanism to assist the tester with debugging failing test cases to speed the process.

The Root Port Model creates three output files (`tx.dat`, `rx.dat`, and `error.dat`) during each simulation run. Log files `rx.dat` and `tx.dat` each contain a detailed record of every TLP that was received and transmitted, respectively, by the Root Port Model. With an understanding of the expected TLP transmission during a specific test case, you can more easily isolate the failure.

The log file `error.dat` is used in conjunction with the expectation tasks. Test programs that utilize the expectation tasks generate a general error message to standard output. Detailed information about the specific comparison failures that have occurred due to the expectation error is located within `error.dat`.

Parallel Test Programs

There are two classes of tests are supported by the Root Port Model:

- Sequential tests. Tests that exist within one process and behave similarly to sequential programs. The test depicted in [Test Program: pio_writeReadBack_test0, page 383](#) is an example of a sequential test. Sequential tests are very useful when verifying behavior that have events with a known order.
- Parallel tests. Tests involving more than one process thread. The test `sample_smoke_test1` is an example of a parallel test with two process threads. Parallel tests are very useful when verifying that a specific set of events have occurred, however the order of these events are not known.

A typical parallel test uses the form of one command thread and one or more expectation threads. These threads work together to verify a device's functionality. The role of the command thread is to create the necessary TLP transactions that cause the device to receive and generate TLPs. The role of the expectation threads is to verify the reception of an expected TLP. The Root Port Model TPI has a complete set of expectation tasks to be used in conjunction with parallel tests.

Because the example design is a target-only device, only Completion TLPs can be expected by parallel test programs while using the PIO design. However, the full library of expectation tasks can be used for expecting any TLP type when used in conjunction with the customer's design (which can include bus-mastering functionality). Currently, the VHDL version of the Root Port Model Test Bench does not support Parallel tests.

Test Description

The Root Port Model provides a Test Program Interface (TPI). The TPI provides the means to create tests by invoking a series of Verilog tasks. All Root Port Model tests should follow the same six steps:

1. Perform conditional comparison of a unique test name.
2. Set up master timeout in case simulation hangs.
3. Wait for Reset and link-up.
4. Initialize the configuration space of the Endpoint.
5. Transmit and receive TLPs between the Root Port Model and the Endpoint DUT.
6. Verify that the test succeeded.

Test Program: pio_writeReadBack_test0

```

1.     else if(testname == "pio_writeReadBack_test1"
2.     begin
3.     // This test performs a 32 bit write to a 32 bit Memory space and performs a read back
4.     TSK_SIMULATION_TIMEOUT(10050);
5.     TSK_SYSTEM_INITIALIZATION;
6.     TSK_BAR_INIT;
7.     for (ii = 0; ii <= 6; ii = ii + 1) begin
8.         if (BAR_INIT_P_BAR_ENABLED[ii] > 2'b00) // bar is enabled
9.             case(BAR_INIT_P_BAR_ENABLED[ii])
10.                2'b01 : // IO SPACE
11.                    begin
12.                        $display("[%t] : NOTHING: to IO 32 Space BAR %x", $realtime, ii);
13.                    end
14.                2'b10 : // MEM 32 SPACE
15.                    begin
16.                        $display("[%t] : Transmitting TLPs to Memory 32 Space BAR %x",
17.                            $realtime, ii);
18.                        //-----
19.                        // Event : Memory Write 32 bit TLP
20.                        //-----
21.                        DATA_STORE[0] = 8'h04;
22.                        DATA_STORE[1] = 8'h03;
23.                        DATA_STORE[2] = 8'h02;
24.                        DATA_STORE[3] = 8'h01;
25.                        P_READ_DATA = 32'hffff_ffff; // make sure P_READ_DATA has known initial value
26.                        TSK_TX_MEMORY_WRITE_32(DEFAULT_TAG, DEFAULT_TC, 10'd1, BAR_INIT_P_BAR[ii][31:0] , 4'hF,
4'hF, 1'b0);
27.                        TSK_TX_CLK_EAT(10);
28.                        DEFAULT_TAG = DEFAULT_TAG + 1;
29.                        //-----
30.                        // Event : Memory Read 32 bit TLP
31.                        //-----
32.                        TSK_TX_MEMORY_READ_32(DEFAULT_TAG, DEFAULT_TC, 10'd1, BAR_INIT_P_BAR[ii][31:0], 4'hF,
4'hF);
33.                        TSK_WAIT_FOR_READ_DATA;
34.                        if (P_READ_DATA != {DATA_STORE[3], DATA_STORE[2], DATA_STORE[1], DATA_STORE[0] })
35.                            begin
36.                                $display("[%t] : Test FAILED --- Data Error Mismatch, Write Data %x != Read Data %x",
$realtime,{DATA_STORE[3], DATA_STORE[2], DATA_STORE[1], DATA_STORE[0]}, P_READ_DATA);
37.                            end
38.                        else
39.                            begin
40.                                $display("[%t] : Test PASSED --- Write Data: %x successfully received", $realtime,
P_READ_DATA);
41.                            end

```

Expanding the Root Port Model

The Root Port Model was created to work with the PIO design, and for this reason is tailored to make specific checks and warnings based on the limitations of the PIO design. These checks and warnings are enabled by default when the Root Port Model is generated by the CORE Generator tool. However, these limitations can be disabled so that they do not affect the customer's design.

Because the PIO design was created to support at most one I/O BAR, one Mem64 BAR, and two Mem32 BARs (one of which must be the EROM space), the Root Port Model by default makes a check during device configuration that verifies that the core has been configured to meet this requirement. A violation of this check causes a warning message to be displayed as well as for the offending BAR to be gracefully disabled in the test bench. This

check can be disabled by setting the `pio_check_design` variable to zero in the `pci_exp_usrapp_tx.v` file.

Root Port Model TPI Task List

The Root Port Model TPI tasks include these tasks, which are further defined in these tables.

- [Table 13-12, Test Setup Tasks](#)
- [Table 13-13, TLP Tasks](#)
- [Table 13-14, BAR Initialization Tasks](#)
- [Table 13-15, Example PIO Design Tasks](#)
- [Table 13-16, Expectation Tasks](#)

Table 13-12: Test Setup Tasks

Name	Input(s)		Description
TSK_SYSTEM_INITIALIZATION	None		Waits for transaction interface reset and link-up between the Root Port Model and the Endpoint DUT. This task must be invoked prior to the Endpoint core initialization.
TSK_USR_DATA_SETUP_SEQ	None		Initializes global 4096 byte DATA_STORE array entries to sequential values from zero to 4095.
TSK_TX_CLK_EAT	clock count	31:30	Waits clock_count transaction interface clocks.
TSK_SIMULATION_TIMEOUT	timeout	31:0	Sets master simulation timeout value in units of transaction interface clocks. This task should be used to ensure that all DUT tests complete.

Table 13-13: TLP Tasks

Name	Input(s)		Description
TSK_TX_TYPE0_CONFIGURATION_READ	tag_ reg_addr_ first_dw_be_	7:0 11:0 3:0	Waits for transaction interface reset and link-up between the Root Port Model and the Endpoint DUT. This task must be invoked prior to Endpoint core initialization.
TSK_TX_TYPE1_CONFIGURATION_READ	tag_ reg_addr_ first_dw_be_	7:0 11:0 3:0	Sends a Type 1 PCI Express Config Read TLP from Root Port Model to reg_addr_ of Endpoint DUT with tag_ and first_dw_be_ inputs. CplID returned from the Endpoint DUT uses the contents of global COMPLETE_ID_CFG as the completion ID.

Table 13-13: TLP Tasks (Cont'd)

Name	Input(s)	Description	
TSK_TX_TYPE0_CONFIGURATION_WRITE	tag_ reg_addr_ reg_data_ first_dw_be_	7:0 11:0 31:0 3:0	Sends a Type 0 PCI Express Config Write TLP from Root Port Model to reg_addr_ of Endpoint DUT with tag_ and first_dw_be_ inputs. Cpl returned from the Endpoint DUT uses the contents of global COMPLETE_ID_CFG as the completion ID.
TSK_TX_TYPE1_CONFIGURATION_WRITE	tag_ reg_addr_ reg_data_ first_dw_be_	7:0 11:0 31:0 3:0	Sends a Type 1 PCI Express Config Write TLP from Root Port Model to reg_addr_ of Endpoint DUT with tag_ and first_dw_be_ inputs. Cpl returned from the Endpoint DUT uses the contents of global COMPLETE_ID_CFG as the completion ID.
TSK_TX_MEMORY_READ_32	tag_ tc_ len_ addr_ last_dw_be_ first_dw_be_	7:0 2:0 9:0 31:0 3:0 3:0	Sends a PCI Express Memory Read TLP from Root Port to 32-bit memory address addr_ of Endpoint DUT. CplID returned from the Endpoint DUT uses the contents of global COMPLETE_ID_CFG as the completion ID.
TSK_TX_MEMORY_READ_64	tag_ tc_ len_ addr_ last_dw_be_ first_dw_be_	7:0 2:0 9:0 63:0 3:0 3:0	Sends a PCI Express Memory Read TLP from Root Port Model to 64-bit memory address addr_ of Endpoint DUT. CplID returned from the Endpoint DUT uses the contents of global COMPLETE_ID_CFG as the completion ID.
TSK_TX_MEMORY_WRITE_32	tag_ tc_ len_ addr_ last_dw_be_ first_dw_be_ ep_	7:0 2:0 9:0 31:0 3:0 3:0 -	Sends a PCI Express Memory Write TLP from Root Port Model to 32-bit memory address addr_ of Endpoint DUT. CplID returned from the Endpoint DUT uses the contents of global COMPLETE_ID_CFG as the completion ID. The global DATA_STORE byte array is used to pass write data to task.
TSK_TX_MEMORY_WRITE_64	tag_ tc_ len_ addr_ last_dw_be_ first_dw_be_ ep_	7:0 2:0 9:0 63:0 3:0 3:0 -	Sends a PCI Express Memory Write TLP from Root Port Model to 64-bit memory address addr_ of Endpoint DUT. CplID returned from the Endpoint DUT uses the contents of global COMPLETE_ID_CFG as the completion ID. The global DATA_STORE byte array is used to pass write data to task.
TSK_TX_COMPLETION	tag_ tc_ len_ comp_status_	7:0 2:0 9:0 2:0	Sends a PCI Express Completion TLP from Root Port Model to the Endpoint DUT using global COMPLETE_ID_CFG as the completion ID.

Table 13-13: TLP Tasks (Cont'd)

Name	Input(s)	Description
TSK_TX_COMPLETION_DATA	tag_ 7:0 tc_ 2:0 len_ 9:0 byte_count 11:0 lower_addr 6:0 comp_status 2:0 ep_ –	Sends a PCI Express Completion with Data TLP from Root Port Model to the Endpoint DUT using global COMPLETE_ID_CFG as the completion ID. The global DATA_STORE byte array is used to pass completion data to task.
TSK_TX_MESSAGE	tag_ 7:0 tc_ 2:0 len_ 9:0 data 63:0 message_rtg 2:0 message_code 7:0	Sends a PCI Express Message TLP from Root Port Model to Endpoint DUT. Completion returned from the Endpoint DUT uses the contents of global COMPLETE_ID_CFG as the completion ID.
TSK_TX_MESSAGE_DATA	tag_ 7:0 tc_ 2:0 len_ 9:0 data 63:0 message_rtg 2:0 message_code 7:0	Sends a PCI Express Message with Data TLP from Root Port Model to Endpoint DUT. The global DATA_STORE byte array is used to pass message data to task. Completion returned from the Endpoint DUT uses the contents of global COMPLETE_ID_CFG as the completion ID.
TSK_TX_IO_READ	tag_ 7:0 addr_ 31:0 first_dw_be_ 3:0	Sends a PCI Express I/O Read TLP from Root Port Model to I/O address addr_[31:2] of the Endpoint DUT. CplID returned from the Endpoint DUT uses the contents of global COMPLETE_ID_CFG as the completion ID.
TSK_TX_IO_WRITE	tag_ 7:0 addr_ 31:0 first_dw_be_ 3:0 data 31:0	Sends a PCI Express I/O Write TLP from Root Port Model to I/O address addr_[31:2] of the Endpoint DUT. CplID returned from the Endpoint DUT uses the contents of global COMPLETE_ID_CFG as the completion ID.
TSK_TX_BAR_READ	bar_index 2:0 byte_offset 31:0 tag_ 7:0 tc_ 2:0	Sends a PCI Express one DWORD Memory 32, Memory 64, or I/O Read TLP from the Root Port Model to the target address corresponding to offset byte_offset from BAR bar_index of the Endpoint DUT. This task sends the appropriate Read TLP based on how BAR bar_index has been configured during initialization. This task can only be called after TSK_BAR_INIT has successfully completed. CplID returned from the Endpoint DUT use the contents of global COMPLETE_ID_CFG as the completion ID.

Table 13-13: TLP Tasks (Cont'd)

Name	Input(s)		Description
TSK_TX_BAR_WRITE	bar_index byte_offset tag_ tc_ data_	2:0 31:0 7:0 2:0 31:0	<p>Sends a PCI Express one DWORD Memory 32, Memory 64, or I/O Write TLP from the Root Port to the target address corresponding to offset byte_offset from BAR bar_index of the Endpoint DUT.</p> <p>This task sends the appropriate Write TLP based on how BAR bar_index has been configured during initialization. This task can only be called after TSK_BAR_INIT has successfully completed.</p>
TSK_WAIT_FOR_READ_DATA	None		<p>Waits for the next completion with data TLP that was sent by the Endpoint DUT. On successful completion, the first DWORD of data from the CplD is stored in the global P_READ_DATA. This task should be called immediately following any of the read tasks in the TPI that request Completion with Data TLPs to avoid any race conditions.</p> <p>By default this task locally times out and terminates the simulation after 1000 transaction interface clocks. The global cpld_to_finish can be set to zero so that local time out returns execution to the calling test and does not result in simulation timeout. For this case test programs should check the global cpld_to, which when set to one indicates that this task has timed out and that the contents of P_READ_DATA are invalid.</p>

Table 13-14: BAR Initialization Tasks

Name	Input(s)	Description
TSK_BAR_INIT	None	<p>Performs a standard sequence of Base Address Register initialization tasks to the Endpoint device using the PCI Express fabric. Performs a scan of the Endpoint's PCI BAR range requirements, performs the necessary memory and I/O space mapping calculations, and finally programs the Endpoint so that it is ready to be accessed.</p> <p>On completion, the user test program can begin memory and I/O transactions to the device. This function displays to standard output a memory and I/O table that details how the Endpoint has been initialized. This task also initializes global variables within the Root Port Model that are available for test program usage. This task should only be called after TSK_SYSTEM_INITIALIZATION.</p>
TSK_BAR_SCAN	None	<p>Performs a sequence of PCI Type 0 Configuration Writes and Configuration Reads using the PCI Express logic to determine the memory and I/O requirements for the Endpoint.</p> <p>The task stores this information in the global array BAR_INIT_P_BAR_RANGE[]. This task should only be called after TSK_SYSTEM_INITIALIZATION.</p>
TSK_BUILD_PCIE_MAP	None	<p>Performs memory and I/O mapping algorithm and allocates Memory 32, Memory 64, and I/O space based on the Endpoint requirements.</p> <p>This task has been customized to work in conjunction with the limitations of the PIO design and should only be called after completion of TSK_BAR_SCAN.</p>
TSK_DISPLAY_PCIE_MAP	None	<p>Displays the memory mapping information of the Endpoint core's PCI Base Address Registers. For each BAR, the BAR value, the BAR range, and BAR type is given. This task should only be called after completion of TSK_BUILD_PCIE_MAP.</p>

Table 13-15: Example PIO Design Tasks

Name	Input(s)		Description
TSK_TX_READBACK_CONFIG	None		Performs a sequence of PCI Type 0 Configuration Reads to the Endpoint device's Base Address Registers, PCI Command Register, and PCIe Device Control Register using the PCI Express logic. This task should only be called after TSK_SYSTEM_INITIALIZATION.
TSK_MEM_TEST_DATA_BUS	bar_index	2:0	Tests whether the PIO design FPGA block RAM data bus interface is correctly connected by performing a 32-bit walking ones data test to the I/O or memory address pointed to by the input bar_index. For an exhaustive test, this task should be called four times, once for each block RAM used in the PIO design.
TSK_MEM_TEST_ADDR_BUS	bar_index nBytes	2:0 31:0	Tests whether the PIO design FPGA block RAM address bus interface is accurately connected by performing a walking ones address test starting at the I/O or memory address pointed to by the input bar_index. For an exhaustive test, this task should be called four times, once for each block RAM used in the PIO design. Additionally, the nBytes input should specify the entire size of the individual block RAM.
TSK_MEM_TEST_DEVICE	bar_index nBytes	2:0 31:0	Tests the integrity of each bit of the PIO design FPGA block RAM by performing an increment/decrement test on all bits starting at the block RAM pointed to by the input bar_index with the range specified by input nBytes. For an exhaustive test, this task should be called four times, once for each block RAM used in the PIO design. Additionally, the nBytes input should specify the entire size of the individual block RAM.

Table 13-16: Expectation Tasks

Name	Input(s)		Output	Description
TSK_EXPECT_CPLD	traffic_class td ep attr length completer_id completer_status bcm byte_count requester_id tag address_low	2:0 - - 1:0 9:0 15:0 2:0 - 11:0 15:0 7:0 6:0	Expect status	Waits for a Completion with Data TLP that matches traffic_class, td, ep, attr, length, and payload. Returns a 1 on successful completion; 0 otherwise.
TSK_EXPECT_CPL	traffic_class td ep attr completer_id completer_status bcm byte_count requester_id tag address_low	2:0 - - 1:0 15:0 2:0 - 11:0 15:0 7:0 6:0	Expect status	Waits for a Completion without Data TLP that matches traffic_class, td, ep, attr, and length. Returns a 1 on successful completion; 0 otherwise.
TSK_EXPECT_MEMRD	traffic_class td ep attr length requester_id tag last_dw_be first_dw_be address	2:0 - - 1:0 9:0 15:0 7:0 3:0 3:0 29:0	Expect status	Waits for a 32-bit Address Memory Read TLP with matching header fields. Returns a 1 on successful completion; 0 otherwise. This task can only be used in conjunction with Bus Master designs.
TSK_EXPECT_MEMRD64	traffic_class td ep attr length requester_id tag last_dw_be first_dw_be address	2:0 - - 1:0 9:0 15:0 7:0 3:0 3:0 61:0	Expect status	Waits for a 64-bit Address Memory Read TLP with matching header fields. Returns a 1 on successful completion; 0 otherwise. This task can only be used in conjunction with Bus Master designs.

Table 13-16: Expectation Tasks (Cont'd)

Name	Input(s)		Output	Description
TSK_EXPECT_MEMWR	traffic_class td ep attr length requester_id tag last_dw_be first_dw_be address	2:0 - - 1:0 9:0 15:0 7:0 3:0 3:0 29:0	Expect status	Waits for a 32-bit Address Memory Write TLP with matching header fields. Returns a 1 on successful completion; 0 otherwise. This task can only be used in conjunction with Bus Master designs.
TSK_EXPECT_MEMWR64	traffic_class td ep attr length requester_id tag last_dw_be first_dw_be address	2:0 - - 1:0 9:0 15:0 7:0 3:0 3:0 61:0	Expect status	Waits for a 64-bit Address Memory Write TLP with matching header fields. Returns a 1 on successful completion; 0 otherwise. This task can only be used in conjunction with Bus Master designs.
TSK_EXPECT_IOWR	td ep requester_id tag first_dw_be address data	- - 15:0 7:0 3:0 31:0 31:0	Expect status	Waits for an I/O Write TLP with matching header fields. Returns a 1 on successful completion; 0 otherwise. This task can only be used in conjunction with Bus Master designs.

Example Design and Model Test Bench for Root Port Configuration

Configurator Example Design

The Configurator example design, included with the Xilinx® 7 Series FPGAs Integrated Block for PCI Express® in Root Port configuration generated by the CORE Generator™ tool, is a synthesizable, lightweight design that demonstrates the minimum setup required for the integrated block in Root Port configuration to begin application-level transactions with an Endpoint.

System Overview

PCI Express devices require setup after power-on, before devices in the system can begin application specific communication with each other. Minimally, two devices connected via a PCI Express Link must have their Configuration spaces initialized and be enumerated to communicate.

Root Ports facilitate PCI Express enumeration and configuration by sending Configuration Read (CfgRd) and Write (CfgWr) TLPs to the downstream devices such as Endpoints and Switches to set up the configuration spaces of those devices. When this process is complete, higher-level interactions, such as Memory Reads (MemRd TLPs) and Writes (MemWr TLPs), can occur within the PCI Express System.

The Configurator example design described herein performs the configuration transactions required to enumerate and configure the Configuration space of a single connected PCI Express Endpoint and allow application-specific interactions to occur.

Configurator Example Design Hardware

The Configurator example design consists of four high-level blocks:

- **Root Port:** The 7 series FPGAs integrated block in Root Port configuration.
- **Configurator Block:** Logical block which interacts with the configuration space of a PCI Express Endpoint device connected to the Root Port.

- **Configurator ROM:** Read-only memory that sources configuration transactions to the Configurator Block.
- **PIO Master:** Logical block which interacts with the user logic connected to the Endpoint by exchanging data packets and checking the validity of the received data. The data packets are limited to a single DWORD and represent the type of traffic that would be generated by a CPU.

Note: The Configurator Block and Configurator ROM, and Root Port are logically grouped in the RTL code within a wrapper file called the Configurator Wrapper.

The Configurator example design, as delivered, is designed to be used with the PIO Slave example included with Xilinx Endpoint cores and described in [Chapter 13, Example Design and Model Test Bench for Endpoint Configuration](#). The PIO Master is useful for simple bring-up and debugging, and is an example of how to interact with the Configurator Wrapper. The Configurator example design can be modified to be used with other Endpoints.

Figure 14-1 shows the various components of the Configurator example design.

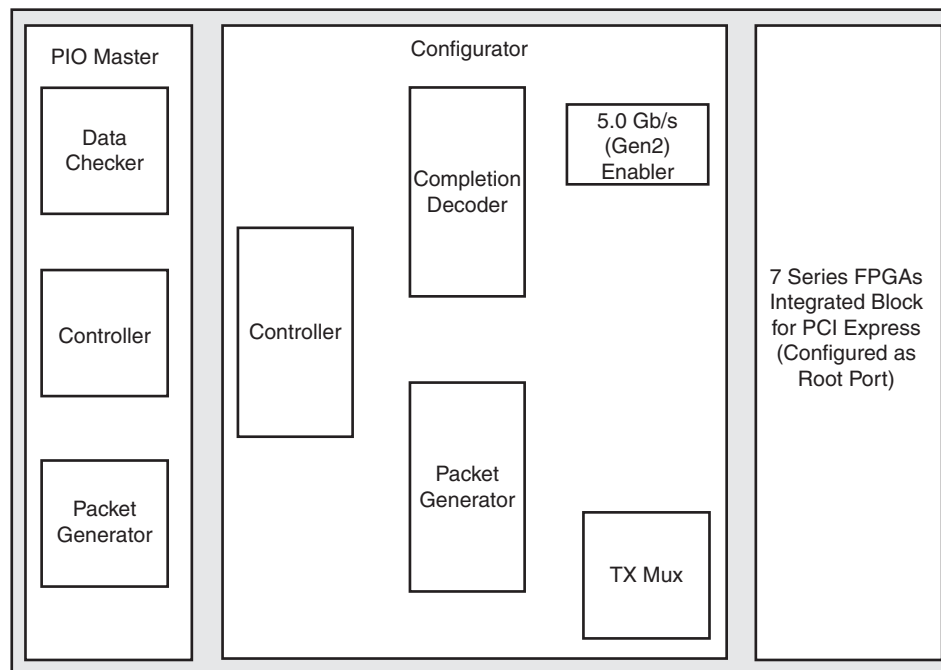


Figure 14-1: Configurator Example Design Components

Figure 14-2 shows how the blocks are connected in an overall system view.

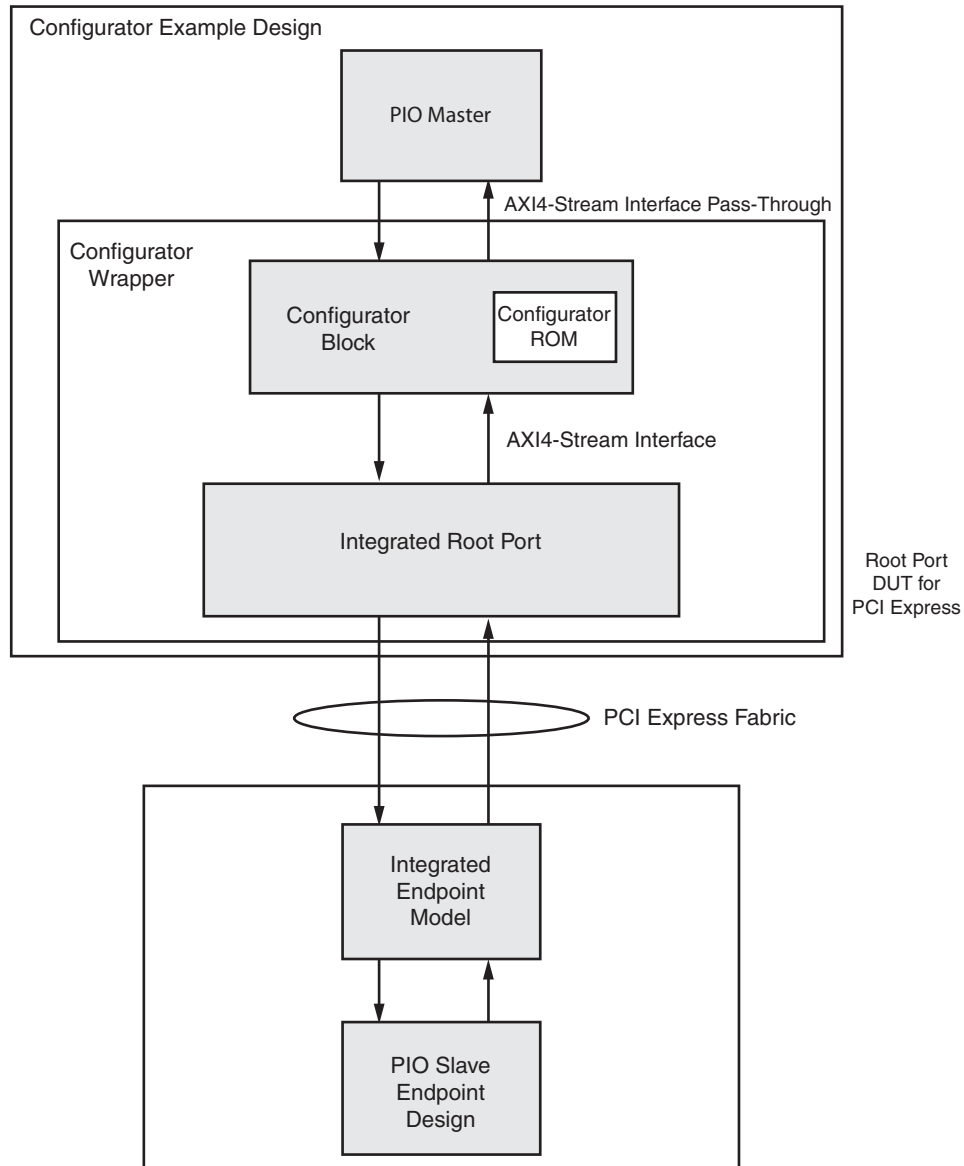


Figure 14-2: Configurator Example Design

Configurator Block

The Configurator Block generates CfgRd and CfgWr TLPs and presents them to the AXI4-Stream interface of the integrated block in Root Port configuration. The TLPs that the Configurator Block generates are determined by the contents of the Configurator ROM.

The generated configuration traffic is predetermined by the designer to address their particular system requirements. The configuration traffic is encoded in a memory-initialization file (the Configurator ROM) which is synthesized as part of the Configurator. The Configurator Block and the attached Configurator ROM is intended to be usable a part of a real-world embedded design.

The Configurator Block steps through the Configuration ROM file and sends the TLPs specified therein. Supported TLP types are Message, Message w/Data, Configuration Write (Type 0), and Configuration Read (Type 0). For the Configuration packets, the Configurator Block waits for a Completion to be returned before transmitting the next TLP. If the Completion TLP fields do not match the expected values, PCI Express configuration fails. However, the Data field of Completion TLPs is ignored and not checked

Note: There is no completion timeout mechanism in the Configurator Block, so if no Completion is returned, the Configurator Block waits forever.

The Configurator Block has these parameters, which can be altered by the user:

- **TCQ:** Clock-to-out delay modeled by all registers in design.
- **EXTRA_PIPELINE:** Controls insertion of an extra pipeline stage on the Receive AXI4-Stream interface for timing.
- **ROM_FILE:** File name containing configuration steps to perform.
- **ROM_SIZE:** Number of lines in ROM_FILE containing data (equals number of TLPs to send/2).
- **REQUESTER_ID:** Value for the Requester ID field in outgoing TLPs.

When the Configurator Block design is used, all TLP traffic must pass through the Configurator Block. The user design is responsible for asserting the start_config input (for one clock cycle) to initiate the configuration process when user_lnk_up has been asserted by the core. Following start_config, the Configurator Block performs whatever configuration steps have been specified in the Configuration ROM. During configuration, the Configurator Block controls the core's AXI4-Stream interface. Following configuration, all AXI4-Stream traffic is routed to/from the User Application, which in the case of this example design is the PIO Master. The end of configuration is signaled by the assertion of finished_config. If configuration is unsuccessful for some reason, failed_config is also asserted.

If used in a system that supports PCIe v2.1 5.0 Gb/s links, the Configurator Block begins its process by attempting to up-train the link from 2.5 Gb/s to 5.0 Gb/s. This feature is enabled depending on the LINK_CAP_MAX_LINK_SPEED parameter on the Configurator Wrapper.

The Configurator does not support the user throttling received data on the Receive AXI4-Stream interface. Because of this, the Root Port inputs which control throttling are not included on the Configurator Wrapper. These signals are m_axis_rx_tready and rx_np_ok. This is a limitation of the Configurator Example Design and not of the Integrated Block for PCI Express in Root Port configuration. This means that the user design interfacing with the Configurator Example Design must be able to accept received data at line rate.

Configurator ROM

The Configurator ROM stores the necessary configuration transactions to configure a PCI Express Endpoint. This ROM interfaces with the Configurator Block to send these transactions over the PCI Express link.

The example ROM file included with this design shows the operations needed to configure a 7 Series FPGAs Integrated Endpoint Block for PCI Express and PIO Example Design.

The Configurator ROM can be customized for other Endpoints and PCI Express system topologies. The unique set of configuration transactions required depends on the Endpoint that interacts with the Root Port. This information can be obtained from the documentation provided with the Endpoint.

The ROM file follows the format specified in the Verilog specification (IEEE 1364-2001) section 17.2.8, which describes using the \$readmemb function to pre-load data into a RAM or ROM. Verilog-style comments are allowed.

The file is read by the simulator or synthesis tool and each memory value encountered is used as a single location in memory. Digits can be separated by an underscore character (`_`) for clarity without constituting a new location.

Each configuration transaction specified uses two adjacent memory locations - the first location specifies the header fields, while the second location specifies the 32-bit data payload. (For CfgRd TLPs and Messages without data, the data location is unused but still present.) In other words, header fields are on even addresses, while data payloads are on odd addresses.

For headers, Messages and CfgRd/CfgWr TLPs use different fields. For all TLPs, two bits specify the TLP type. For Messages, Message Routing and Message Code are specified. For CfgRd/CfgWr TLPs, Function Number, Register Number, and 1st DWORD Byte-Enable are specified. The specific bit layout is shown in the example ROM file.

PIO Master

The PIO Master demonstrates how a user-application design might interact with the Configurator Block. It directs the Configurator Block to bring up the link partner at the appropriate time, and then (after successful bring-up) generates and consumes bus traffic. The PIO Master performs writes and reads across the PCI Express Link to the PIO Slave Example Design (from the Endpoint core) to confirm basic operation of the link and the Endpoint.

The PIO Master waits until `user_lnk_up` is asserted by the Root Port. It then asserts `start_config` to the Configurator Block. When the Configurator Block asserts `finished_config`, the PIO Master writes and reads to/from each BAR in the PIO Slave design. If the readback data matches what was written, the PIO Master asserts its `pio_test_finished` output. If there is a data mismatch or the Configurator Block fails to

configure the Endpoint, the PIO Master asserts its `pio_test_failed` output. The PIO Master's operation can be restarted by asserting its `pio_test_restart` input for one clock cycle.

Configurator File Structure

Table 14-1 defines the Configurator example design file structure.

Table 14-1: Example Design File Structure

File	Description
<code>xilinx_pcie_2_1_rport_7x.v</code>	Top-level wrapper file for Configurator example design
<code>cgator_wrapper.v</code>	Wrapper for Configurator and Root Port
<code>cgator.v</code>	Wrapper for Configurator sub-blocks
<code>cgator_cpl_decoder.v</code>	Completion decoder
<code>cgator_pkt_generator.v</code>	Configuration TLP generator
<code>cgator_tx_mux.v</code>	Transmit AXI4-Stream muxing logic
<code>cgator_gen2_enabler.v</code>	5.0 Gb/s directed speed change module
<code>cgator_controller.v</code>	Configurator transmit engine
<code>cgator_cfg_rom.data</code>	Configurator ROM file
<code>pio_master.v</code>	Wrapper for PIO Master
<code>pio_master_controller.v</code>	TX and RX Engine for PIO Master
<code>pio_master_checker.v</code>	Checks incoming User-Application Completion TLPs
<code>pio_master_pkt_generator.v</code>	Generates User-Application TLPs

The hierarchy of the Configurator example design is:

- `xilinx_pcie_2_1_rport_7x`
 - `cgator_wrapper`
 - `pcie_2_1_rport_7x` (in the source directory)
This directory contains all the source files for the Integrated Block for PCI Express in Root Port Configuration.
 - `cgator`
 - `cgator_cpl_decoder`
 - `cgator_pkt_generator`
 - `cgator_tx_mux`
 - `cgator_gen2_enabler`
 - `cgator_controller`
This directory contains `<cgator_cfg_rom.data>` (specified by `ROM_FILE`)*

- pio_master
 - pio_master_controller
 - pio_master_checker
 - pio_master_pkt_generator

Note: `cgator_cfg_rom.data` is the default name of the ROM data file. You can override this by changing the value of the `ROM_FILE` parameter.

Configurator Example Design Summary

The Configurator example design is a synthesizable design that demonstrates the capabilities of the 7 Series FPGAs Integrated Block for PCI Express when configured as a Root Port. The example is provided via the CORE Generator tool and uses the Endpoint PIO example as a target for PCI Express enumeration and configuration. The design can be modified to target other Endpoints by changing the contents of a ROM file.

Endpoint Model Test Bench for Root Port

The Endpoint model test bench for the 7 Series FPGAs Integrated Block for PCI Express in Root Port configuration is a simple example test bench that connects the Configurator example design and the PCI Express Endpoint model allowing the two to operate like two devices in a physical system. As the Configurator example design consists of logic that initializes itself and generates and consumes bus traffic, the example test bench only implements logic to monitor the operation of the system and terminate the simulation.

The Endpoint model test bench consists of:

- Verilog or VHDL source code for all Endpoint model components.
- PIO slave design.

[Figure 14-2, page 394](#) illustrates the Endpoint model coupled with the Configurator example design.

Architecture

The Endpoint model consists of these blocks:

- PCI Express Endpoint (7 Series FPGAs Integrated Block for PCI Express in Endpoint configuration) model.
- PIO slave design, consisting of:
 - PIO_RX_ENGINE

- PIO_TX_ENGINE
- PIO_EP_MEM
- PIO_TO_CTRL

The PIO_RX_ENGINE and PIO_TX_ENGINE blocks interface with the Endpoint block for reception and transmission of TLPs from/to the Root Port Design Under Test (DUT). The Root Port DUT consists of the Integrated Block for PCI Express configured as a Root Port and the Configurator Example Design, which consists of a Configurator block and a PIO Master design, or customer design.

The PIO slave design is described in detail in [Programmed Input/Output: Endpoint Example Design, page 361](#).

Simulating the Design

Three simulation script files are provided with the model to facilitate simulation with Synopsys VCS and VCS MX, Cadence IES, and Mentor Graphics ModelSim simulators.

- `simulate_vcs.sh` (Verilog only)
- `simulate_ncsim.sh` (Verilog only)
- `simulate_mti.do`

The example simulation script files are located in this directory:

```
<project_dir>/<component_name>/simulation/functional
```

Instructions for simulating the Configurator example design with the Endpoint model are provided in [Chapter 12, Example Design](#).

Note: For Cadence IES users, the work construct must be manually inserted into the `cds.lib` file: `DEFINE WORK WORK`.

Scaled Simulation Timeouts

The simulation model of the 7 Series FPGAs Integrated Block for PCI Express uses scaled down times during link training to allow for the link to train in a reasonable amount of time during simulation. According to the *PCI Express Specification, rev. 2.1* [Ref 2], there are various timeouts associated with the link training and status state machine (LTSSM) states. The 7 Series FPGAs Integrated Block for PCI Express scales these timeouts by a factor of 256 in simulation, except in the Recovery Speed_1 LTSSM state, where the timeouts are not scaled.

Waveform Dumping

Table 14-2 describes the available simulator waveform dump file formats, each of which is provided in the simulators native file format. The same mechanism is used for VCS and ModelSim.

Table 14-2: Simulator Dump File Format

Simulator	Dump File Format
Synopsys VCS and VCS MX	.vpd
ModelSim	.vcd
ISim	.wdb
Cadence IES	.trn

The Endpoint model test bench provides a mechanism for outputting the simulation waveform to file by specifying the `+dump_all` command line parameter to the simulator.

For example, the script file `simulate_ncsim.sh` (used to start the Cadence IES simulator) can indicate to the Endpoint model that the waveform should be saved to a file using this command line:

```
ncsim work.boardx01 +dump_all
```

Output Logging

The test bench outputs messages, captured in the simulation log, indicating the time at which the following occur.

- `user_reset` deasserted
- `user_lnk_up` asserted
- `cfg_done` asserted by the Configurator
- `pio_test_finished` asserted by the PIO Master
- Simulation Timeout (if `pio_test_finished` or `pio_test_failed` never asserted)

PIPE Mode Simulations

The PIPE Simulation mode allows you to run the simulations without GT block to speed up simulations.

To run the simulations using the PIPE interface to speed up the simulation, generate the core using the Enable PIPE Simulation option as shown on the Basic page of GUI. In this mode the PIPE interface of the core top module, the PCIe example design is connected to PIPE interface of the model. This feature is available only for a Verilog version of the core.



IMPORTANT: A new `<component_name>_gt_top_pipe.v` file is created in the source directory and replaces GT block for PIPE mode simulation.

To run the simulations using GT block using the same core, pass the define ENABLE_GT during run time so that the original GT block is instantiated in the core top module and simulations are run using the GT block. Comments are included in the simulation scripts to define which parameters need to be passed in order to run the simulations using GT block. The comment needs to be removed to run the simulations in GT mode.



TIP: Implementation is always run with the GT block. The PIPE mode is only for simulations.

SECTION IV: APPENDICES

Migrating

Debugging

Managing Receive-Buffer Space for Inbound Completions

PCIE_2_1 Port Descriptions

Additional Resources

Migrating

This appendix describes migrating from older versions of the IP to the current IP release. It contains these sections:

- [Migration Considerations](#)
- [TRN to AXI Migration Considerations](#)

For information on migrating to the Vivado™ Design Suite, see UG911, *Vivado Design Suite Migration Methodology Guide* [Ref 15].

Migration Considerations

For users migrating to the Xilinx® 7 Series FPGAs Integrated Block for PCI Express® from the Virtex®-6 FPGA Integrated Block for PCI Express, the list in this section describes the differences in behaviors and options between the 7 Series FPGAs Integrated Block for PCI Express core and the Virtex-6 FPGA Integrated Block for PCI Express core, version v2.x with the AXI4-Stream interface.

Core Capability Differences

- **8-Lane, 5.0 Gb/s (Gen2) Speed Operation for Root Port Configuration:** The 7 Series FPGAs Integrated Block for PCI Express also supports the 5.0 Gb/s speed operation for the 8-lane Root Port Configuration.
- **128-bit Interface:** The 7 Series FPGAs Integrated Block for PCI Express supports the 128-bit interface for the 8-lane, 2.5 Gb/s configuration and 4-lane, 5.0 Gb/s configuration.

Configuration Interface

[Table A-1](#) lists the Configuration interface signals whose names were changed.

Table A-1: Configuration Interface Changes

Name	Signal Name in Virtex-6 FPGA Integrated Block for PCI Express	Signal Name in 7 Series FPGAs Integrated Block for PCI Express
Configuration Data Out	cfg_do	cfg_mgmt_do
Configuration Read Write Done	cfg_rd_wr_done	cfg_mgmt_rd_wr_done
Configuration Data In	cfg_di	cfg_mgmt_di
Configuration DWORD Address	cfg_dwaddr	cfg_mgmt_dwaddr
Configuration Byte Enable	cfg_byte_en	cfg_mgmt_byte_en
Configuration Write Enable	cfg_wr_en	cfg_mgmt_wr_en
Configuration Read Enable	cfg_rd_en	cfg_mgmt_rd_en

Table A-2 lists the new Configuration interface signals. See [Design with Configuration Space Registers and Configuration Interface in Chapter 3](#) for detailed information.

Table A-2: New Configuration Interface Signals

Signal	Description
cfg_mgmt_wr_rw1c_as_rw	New Configuration Write signals in the core.
cfg_mgmt_wr_readonly	
cfg_pm_halt_aspm_l0s	New Power Management signals in the core.
cfg_pm_halt_aspm_l1 ⁽¹⁾	
cfg_pm_force_state[1:0]	
cfg_pm_force_state_en	
cfg_err_aer_headerlog[127:0]	New AER Interface signals.
cfg_err_aer_headerlog_set	
cfg_aer_interrupt_msgnum[4:0]	
cfg_aer_ecrc_gen_en	
cfg_aer_ecrc_check_en	
cfg_pciecap_interrupt_msgnum[4:0]	New Interrupt interface signals
cfg_interrupt_stat	
cfg_vc_tcvc_map[6:0]	New TC/VC Map signal

Notes:

- ASPM L1 is unsupported in the 7 series FPGAs Integrated Block for PCI Express.

Error Reporting Signals

The 7 Series FPGAs Integrated Block for PCI Express core supports the additional error reporting signals listed below. See [Design with Configuration Space Registers and Configuration Interface in Chapter 3](#) for detailed information.

- `cfg_err_poisoned`
- `cfg_err_malformed`
- `cfg_err_acs`
- `cfg_err_atomic_egress_blocked`
- `cfg_err_mc_blocked`
- `cfg_err_internal_uncor`
- `cfg_err_internal_cor`
- `cfg_err_norecovery`

ID Initial Values

The ID initial values (Vendor ID, Device ID, Revision ID, Subsystem Vendor ID, and Subsystem ID) have changed from attributes on Virtex-6 FPGA Integrated Block for PCI Express to input ports on the 7 Series FPGAs Integrated Block for PCI Express. The values set for these via the CORE Generator tool GUI are used to drive these ports in the 7 Series FPGAs Integrated Block for PCI Express. These ports are not available at the Core boundary of the wrapper, but are available within the top-level wrapper of the 7 Series FPGAs Integrated Block for PCI Express. [Table A-3](#) lists the ID values and the corresponding ports.

Table A-3: ID Values and Corresponding Ports

ID Value	Input Port
Vendor ID	<code>cfg_vend_id[15:0]</code>
Device ID	<code>cfg_dev_id[15:0]</code>
Revision ID	<code>cfg_rev_id[7:0]</code>
Subsystem Vendor ID	<code>cfg_subsys_vend_id[15:0]</code>
Subsystem ID	<code>cfg_subsys_id[15:0]</code>

Physical Layer Interface

[Table A-4](#) and [Table A-5](#) list the changes in the Physical Layer interface in the 7 Series FPGAs Integrated Block for PCI Express.

Table A-4: Physical Layer Signal Name Changes

Name in Virtex-6 FPGA Integrated Block for PCI Express Core	Name in 7 Series FPGAs Integrated Block for PCI Express Core
pl_link_gen2_capable	pl_link_gen2_cap
pl_link_upcfg_capable	pl_link_upcfg_cap
pl_sel_link_rate	pl_sel_lnk_rate
pl_sel_link_width	pl_sel_lnk_width

Table A-5: New Physical Layer Signals

Signal	Description
pl_directed_change_done	Indicates the Directed change is done.
pl_phy_lnk_up	Indicates Physical Layer Link Up Status
pl_rx_pm_state	Indicates RX Power Management State
pl_tx_pm_state	Indicates TX Power Management State

Dynamic Reconfiguration Port Interface

Some signals names on the Dynamic Reconfiguration Port Interface have changed in the 7 Series FPGAs Integrated Block for PCI Express. [Table A-6](#) shows the signals that have changed on this interface.

Table A-6: Dynamic Reconfiguration Port Name Changes

Name in Virtex-6 FPGA Integrated Block for PCI Express	Name in 7 Series FPGAs Integrated Block for PCI Express
pcie_drp_den	pcie_drp_en
pcie_drp_dwe	pcie_drp_we
pcie_drp_daddr	pcie_drp_addr
pcie_drp_drdy	pcie_drp_rdy

TRN to AXI Migration Considerations

This section describes the differences in signal naming and behavior for users migrating to the Xilinx® 7 Series FPGAs Integrated Block for PCI Express® core from the Virtex®-6 FPGA Integrated Block for PCI Express core, v1.x, with TRN interface.

High-Level Summary

The 7 Series FPGAs Integrated Block for PCI Express updates the main user interface from TRN to the standard AXI4-Stream signal naming and behavior. In addition, all control signals that were active-Low have been changed to active-High. This list summarizes the main changes to the core:

- Signal name changes
- Datapath DWORD ordering
- All control signals are active-High
- Start-of-frame (SOF) signaling is implied
- Remainder signals are replaced with Strobe signals

Step-by-Step Migration Guide

This section describes the steps that a user should take to migrate an existing user application based on TRN to the AXI4-Stream interface.

1. For each signal in [Table A-7](#) labeled "Name change only", connect the appropriate user application signal to the newly named core signal.
2. For each signal in [Table A-7](#) labeled "Name change; Polarity", add an inverter and connect the appropriate user application signal to the newly named core signal.
3. Swap the DWORD ordering on the datapath signals as described in [Datapath DWORD Ordering](#).
4. Leave disconnected the user application signal originally connected to `trn_tsof_n`.
5. Recreate `trn_rsof_n` as described in the [Start-Of-Frame Signaling](#) section and connect to the user application as was originally connected.
6. Make the necessary changes as described in the [Remainder/Strobe Signaling](#) section.
7. If using the `trn_rsrc_dsc_n` signal in the original design, make the changes as described in [Packet Transfer Discontinue on Receive](#) section, otherwise leave disconnected.
8. Make the changes as described in the [Packet Re-ordering on Receive](#) section.

Signal Changes

[Table A-7](#) details the main differences in signaling between TRN Local-Link to AXI4-Stream.

Table A-7: Interface Changes

TRN Name	AXI4-Stream Name	Difference
Common Interface		
sys_reset_n	sys_rst_n	No change
trn_clk	user_clk_out	Name change; Polarity
trn_reset_n	user_reset_out	Name change; Polarity
trn_lnk_up_n	user_lnk_up	Name change; Polarity
trn_fc_ph[7:0]	fc_ph[7:0]	Name change only
trn_fc_pd[11:0]	fc_pd[11:0]	Name change only
trn_fc_nph[7:0]	fc_nph[7:0]	Name change only
trn_fc_npd[11:0]	fc_npd[11:0]	Name change only
trn_fc_cplh[7:0]	fc_cplh[7:0]	Name change only
trn_fc_cpld[11:0]	fc_cpld[11:0]	Name change only
trn_fc_sel[2:0]	fc_sel[2:0]	Name change only
Transmit Interface		
trn_tsof_n		No equivalent for 32- and 64-bit version (see text)
trn_teof_n	s_axis_tx_tlast	Name change; Polarity
trn_td[W-1:0] (W = 32, 64, or 128)	s_axis_tx_tdata[W-1:0]	Name change; DWORD Ordering (see text)
trn_trem_n (64-bit interface)	s_axis_tx_tkeep[7:0]	Name change; Functional differences (see text)
trn_trem_n[1:0] (128-bit interface)	s_axis_tx_tkeep[15:0]	Name change; Functional differences (see text)
trn_tsrc_rdy_n	s_axis_tx_tvalid	Name change; Polarity
trn_tdst_rdy_n	s_axis_tx_tready	Name change; Polarity
trn_tsrc_dsc_n	s_axis_tx_tuser[3]	Name change; Polarity
trn_tbuf_av[5:0]	tx_buf_av[5:0]	Name Change
trn_terr_drop_n	tx_err_drop	Name change; Polarity
trn_tstr_n	s_axis_tx_tuser[2]	Name change; Polarity
trn_tcfg_req_n	tx_cfg_req	Name change; Polarity
trn_tcfg_gnt_n	tx_cfg_gnt	Name change; Polarity
trn_terrfwd_n	s_axis_tx_tuser[1]	Name change; Polarity
Receive Interface		
trn_rsob_n		No equivalent for 32 and 64-bit versions
trn_reof_n	m_axis_rx_tlast (64b) is_eof[4] (128b)	Name change; Polarity
trn_rd[W-1:0] (W = 32, 64, or 128)	m_axis_rx_tdata[W-1:0]	Name change; DWORD Ordering

Table A-7: Interface Changes (Cont'd)

TRN Name	AXI4-Stream Name	Difference
trn_rrem_n (64-bit interface)	m_axis_rx_tkeep	Name change; Functional differences (see text)
trn_rrem_n[1:0] (128-bit interface)	m_axis_rx_tuser[14:10], m_axis_rx_tuser[21:17]	Name change; Functional differences (see text)
trn_rerrfwd_n	m_axis_rx_tuser[1]	Name change; Polarity
trn_rsrc_rdy_n	m_axis_rx_tvalid	Name change; Polarity
trn_rdst_rdy_n	m_axis_rx_tready	Name change; Polarity
trn_rsrc_dsc_n		No equivalent
trn_rnp_ok_n	rx_np_ok	Name change; Polarity; Extra delay (see text)
trn_rbar_hit_n[7:0]	m_axis_rx_tuser[9:2]	Name change; Polarity
Configuration Interface		
cfg_rd_wr_done_n	cfg_mgmt_rd_wr_done	Name change; Polarity
cfg_byte_en_n[3:0]	cfg_mgmt_byte_en[3:0]	Name change; Polarity
cfg_wr_en_n	cfg_mgmt_wr_en	Name change; Polarity
cfg_rd_en_n	cfg_mgmt_rd_en	Name change; Polarity
cfg_pcie_link_state_n[2:0]	cfg_pcie_link_state[2:0]	Name change only
cfg_trn_pending_n	cfg_trn_pending	Name change; Polarity
cfg_to_turnoff_n	cfg_to_turnoff	Name change; Polarity
cfg_turnoff_ok_n	cfg_turnoff_ok	Name change; Polarity
cfg_pm_wake_n	cfg_pm_wake	Name change; Polarity
cfg_wr_rw1c_as_rw_n	cfg_mgmt_wr_rw1c_as_rw	Name change; Polarity
cfg_interrupt_n	cfg_interrupt	Name change; Polarity
cfg_interrupt_rdy_n	cfg_interrupt_rdy	Name change; Polarity
cfg_interrupt_assert_n	cfg_interrupt_assert	Name change; Polarity
cfg_err_ecrc_n	cfg_err_ecrc	Name change; Polarity
cfg_err_ur_n	cfg_err_ur	Name change; Polarity
cfg_err_cpl_timeout_n	cfg_err_cpl_timeout	Name change; Polarity
cfg_err_cpl_unexpect_n	cfg_err_cpl_unexpect	Name change; Polarity
cfg_err_cpl_abort_n	cfg_err_cpl_abort	Name change; Polarity
cfg_err_posted_n	cfg_err_posted	Name change; Polarity
cfg_err_cor_n	cfg_err_cor	Name change; Polarity
cfg_err_cpl_rdy_n	cfg_err_cpl_rdy	Name change; Polarity
cfg_err_locked_n	cfg_err_locked	Name change; Polarity

Datapath DWORD Ordering

The AXI4-Stream interface swaps the DWORD locations but preserves byte ordering within an individual DWORD as compared to the TRN interface. This change only affects the 64-bit and 128-bit versions of the core. Figure A-1 and Figure A-2 illustrate the DWORD swap ordering from TRN to AXI4-Stream for both 64-bit and 128-bit versions.

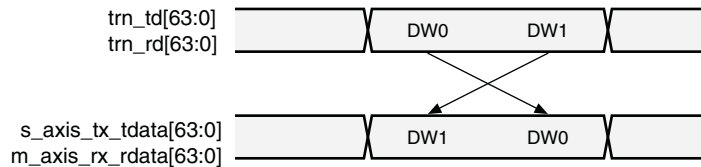


Figure A-1: TRN vs. AXI DWORD Ordering on Data Bus (64-Bit)

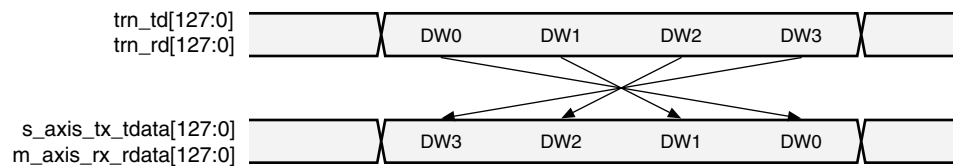


Figure A-2: TRN vs. AXI DWORD Ordering on Data Bus (128-Bit)

Users migrating existing 64-bit and 128-bit TRN-based designs should swap DWORD locations for the `s_axis_tx_tdata[W-1:0]` and `s_axis_rx_rdata[W-1:0]` buses as they enter and exit the Integrated Block for PCIe® core.

For example, existing user application pseudo-code:

```
usr_trn_rd[127:0] = trn_rd[127:0];
```

should be modified to:

```
usr_trn_rd[127:96] = s_axis_rx_rdata[31:0]
usr_trn_rd[95:64] = s_axis_rx_rdata[63:32]
usr_trn_rd[63:32] = s_axis_rx_rdata[95:64]
usr_trn_rd[31:0] = s_axis_rx_rdata[127:96]
```

Start-Of-Frame Signaling

AXI4-Stream does not have equivalent signals for start-of-frame (`trn_tsof_n` and `trn_rsof_n`) in the 32-bit and 64-bit versions. On the transmit side, existing TRN designs can just leave the user `trn_tsof_n` connection unconnected. On the receive side, existing TRN designs can recreate `trn_rsof_n` using simple logic, if necessary.

32- and 64-Bit Interfaces

First the user creates a sequential (clocked) signal called `in_packet_reg`. A combinatorial logic function using existing signals from the core can then be used to recreate `trn_rsof_n` as illustrated in this pseudo-code:

```

For every clock cycle (user_clk_out) do {
  if(reset)
    in_packet_reg = 0
  else if (m_axis_rx_tvalid and m_axis_rx_tready)
    in_packet_reg = !m_axis_rx_tlast
}

trn_rsof_n = !(m_axis_rx_tvalid & !in_packet_reg)

```

128-Bit Interface

The 128-bit interface provides an SOF signal. The user can invert (`rx_is_sof[4]`) `m_axis_rx_tuser[14]` to recreate `trn_rsof_n`.

Remainder/Strobe Signaling

This section covers the changes to the remainder signals `trn_trem_n[1:0]` and `trn_rrem_n[1:0]`.

The AXI4-Stream interface uses strobe signaling (byte enables) in place of remainder signaling. There are three key differences between the strobe signals and the remainder signals as detailed in [Table A-8](#). There are also some differences between the 64-bit version and 128-bit version of the core. The 128-bit RX version replaces `trn_rrem[1:0]` with (`rx_is_sof[4:0]`) `m_axis_rx_tuser[14:10]` and (`rx_is_eof[4:0]`) `m_axis_rx_tuser[21:17]`, instead of a strobe signal. For simplicity, this section treats 64-bit and 128-bit transmit and receive operations separately.

Table A-8: Remainder Signal Differences

TRN Remainders 64-bit: <code>trn_trem_n</code> , <code>trn_rrem_n</code> 128-bit: <code>trn_trem_n[1:0]</code> , <code>trn_rrem_n[1:0]</code>	AXI4-Stream Strobes 64-bit: <code>s_axis_tx_tkeep[7:0]</code> , <code>m_axis_rx_tkeep[7:0]</code> 128-bit: <code>s_axis_tx_tkeep[15:0]</code> , <code>rx_is_sof[4:0]</code> , <code>rx_is_eof[4:0]</code>
Active-Low	Active-High
Acts on DWORDs	Acts on Bytes
Only valid on end-of-frame (EOF) cycles	Valid for every clock cycle that <code>tvalid</code> and <code>tready</code> are asserted

64-Bit Transmit

Existing TRN designs can do a simple conversion from the single `trn_trem` signal to `s_axis_tx_tkeep[7:0]`. Assuming the user currently has a signal named `user_trn_trem` that drives the `trn_trem` input, the listed pseudo-code illustrates the conversion to

`s_axis_tx_tkeep[7:0]`. The user must drive `s_axis_tx_tkeep[7:0]` every clock cycle that `tvalid` is asserted.

```

if s_axis_tx_tlast == 1                                //in a packet at EOF
    s_axis_tx_tkeep[7:0] = user_trn_trem_n ? 0Fh : FFh
else                                                    //in a packet but not EOF, or not in a packet
    s_axis_tx_tkeep = FFh

```

64-Bit Receive

Existing TRN designs can do a simple conversion on `m_axis_rx_tkeep[7:0]` to recreate the `trn_rrem` signal using combinatorial logic. The listed pseudo-code illustrates the conversion.

```

if (C_DATA_WIDTH == 64)
begin
    assign trn_rrem = m_axis_rx_tlast ? (m_axis_rx_tkeep == 8'hFF) ? 1'b1 : 1'b0: 1'b1;
end

```

128-Bit Transmit

Existing TRN designs can do a simple conversion from the single `trn_trem[1:0]` signal to `s_axis_tx_tkeep[15:0]`. Assuming the user currently has a signal named `user_trn_trem[1:0]` that drives the `trn_trem[1:0]` input, the listed pseudo-code illustrates the conversion to `s_axis_tx_tkeep[15:0]`. The user must drive `s_axis_tx_tkeep[15:0]` every clock cycle.

```

if s_axis_tx_tlast == 1                                //in a packet at EOF
    if user_trn_trem_n[1:0]==00b
        s_axis_tx_tkeep[15:0] = FFFFh
    else if user_trn_trem_n[1:0] = 01b
        s_axis_tx_tkeep[15:0] = 0FFFh
    else if user_trn_trem_n[1:0] = 10b
        s_axis_tx_tkeep[15:0] = 00FFh
    else if user_trn_trem_n[1:0] = 11b
        s_axis_tx_tkeep[15:0] = 000Fh

else                                                    //in a packet but not EOF, or not in a packet
    s_axis_tx_tkeep =FF FFh

```

128-Bit Receive

The 128-bit receive remainder signal `trn_rrem[1:0]` does not have an equivalent strobe signal for AXI4-Stream. Instead, (`is_sof[4:0]`) `m_axis_rx_tuser[14:10]` and (`is_eof[4:0]`) `m_axis_rx_tuser[21:17]` are used. Existing TRN designs can do a conversion on the `rx_is_sof` and `rx_is_eof` signals to recreate the `trn_rrem[1:0]` signal using combinatorial logic. The listed pseudo-code illustrates the conversion. This pseudo-code assumes that the user has swapped the DWORD locations from the AXI4-Stream interface (see the `usr_trn_rd[127:0]` signal pseudo-code).

```
trn_rrem[1] = ( rx_is_sof[4] && rx_is_eof[4] && rx_is_eof[3] ) || ( !rx_is_sof[4] &&
rx_is_eof[4] && rx_is_eof[3] ) || ( rx_is_sof[4] && !rx_is_eof[4] && !rx_is_sof[3] ) )

trn_rrem_n[0] = !rx_is_eof[2]
```

Note: 128-bit interface does NOT use `m_axis_rx_tlast` signal at all (tied low), but rather it uses `m_axis_rx_tuser` signals.

Packet Transfer Discontinue on Receive

When the `trn_rsrc_dsc_n` signal in the TRN interface is asserted, it indicates to the user that a received packet has been discontinued. The AXI4-Stream interface has no equivalent signal. On both the TRN and AXI4-Stream cores, however, a packet is only discontinued on the receive interface if link connectivity is lost. Therefore, users can just monitor the `user_lnk_up` signal to determine a receive packet discontinue condition.

On the TRN interface, the packet transmission on the data interface (`trn_rd`) stops immediately following assertion of `trn_rsrc_dsc_n`, and `trn_reof_n` might never be asserted. On the AXI4-Stream interface, the packet is padded out to the proper length of the TLP, and `m_axis_rx_tlast` is asserted even though the data is corrupted. [Figure A-3](#) and [Figure A-4](#) show the TRN and AXI4-Stream signaling for packet discontinue. To recreate the `trn_rsrc_dsc_n` signal, the user can just invert and add one clock cycle delay to `user_lnk_up`.

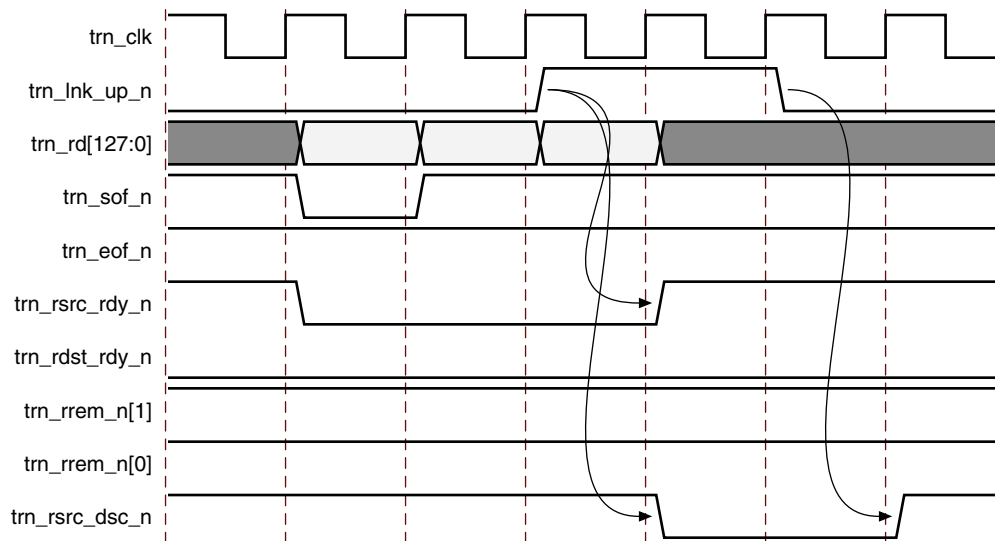


Figure A-3: Receive Discontinue on the TRN Interface

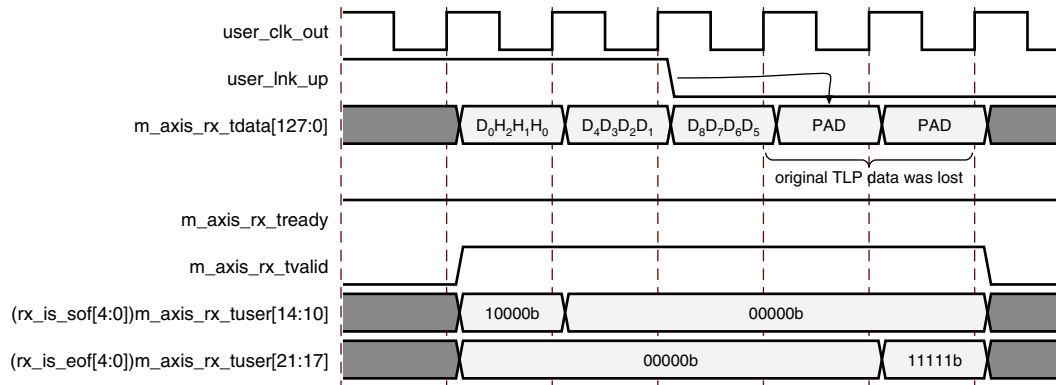


Figure A-4: Receive Discontinue on the AXI4-Stream Interface

Packet Re-ordering on Receive

The TRN interface uses the `trn_rnp_ok_n` signal to re-order TLP traffic on the receive interface. The AXI4-Stream interface has an equivalent signal, `rx_np_ok`. Users need to account for two differences in the AXI4-Stream interface as shown in Table A-9. Users have to account for these differences in their custom logic. If the user application does not use packet re-ordering, the user can tie `rx_np_ok` to 1b.

Table A-9: AXI4-Stream Interface Differences

TRN <code>trn_rnp_ok_n</code>	AXI4-Stream <code>rx_np_ok</code>
Active-Low	Active-High
Must be deasserted at least one clock cycle before <code>trn_reof_n</code> of the next-to-last Non-Posted TLP that the user can accept	Must be deasserted at least one clock cycle before <code>is_eof[4]</code> of the second-to-last Non-Posted TLP that the user can accept

System Reset

The system reset is usually provided by `PERST#`, which is an active-Low signal.

Debugging

This appendix provides information on using resources available on the Xilinx Support website, available debug tools, and a step-by-step process for debugging designs that use the Xilinx® 7 Series FPGAs Integrated Block for PCI Express®. This appendix uses flow diagrams to guide the user through the debug process.

This information is found in this appendix:

- [Finding Help on Xilinx.com](#)
- [Contacting Xilinx Technical Support](#)
- [Debug Tools](#)
- [Simulation Debug](#)
- [Hardware Debug](#)

Finding Help on Xilinx.com

To help in the design and debug process when using the 7 series FPGA, the Xilinx Support webpage (www.xilinx.com/support) contains key resources such as Product documentation, Release Notes, Answer Records, and links to opening a Technical Support case.

Documentation

This Product Guide is the main document associated with the Integration Block for PCIe. This Integrated Block for PCI Express document along with documentation related to all products that aid in the design process can be found on the Xilinx Support webpage (www.xilinx.com/support) or by using the Xilinx Documentation Navigator.

You can download the Xilinx Documentation Navigator from the Design Tools tab on the Downloads page (www.xilinx.com/download). For more information about this tool and the features available, please reference the online help after installation.

Release Notes

Known issues for all cores, including the Integration Block for PCIe, are described in the [IP Release Notes Guide \(XTP025.PDF\)](#).

Solution Centers

See the [Xilinx Solution Centers](#) for support on devices, software tools, and intellectual property at all stages of the design cycle. Topics include design assistance, advisories, and troubleshooting tips.

The Solution Center applicable to the Integration Block for PCIe core is located at [Xilinx Solution Center for PCI Express](#).

Known Issues

Answer Records include information about commonly encountered problems, helpful information on how to resolve these problems, and any known issues with a Xilinx product. Answer Records are created and maintained daily ensuring that users have access to the most accurate information available.

Answer Records for this core are listed below, and can also be located by using the Search Support box on the main [Xilinx support web page](#). To maximize your search results, use proper keywords such as

- the product name
- tool message(s)
- summary of the issue encountered.

A filter search is available after results are returned to further target the results.

Answer Records for the Integration Block for PCIe

For the Answer Records related to the Integration Block for PCIe core, see www.xilinx.com/support/answers/40469.htm.

Contacting Xilinx Technical Support

Xilinx provides premier technical support for customers encountering issues that require additional assistance.

To contact Technical Support:

1. Navigate to www.xilinx.com/support.

2. Open a WebCase by selecting the [WebCase](#) link located under Support Quick Links.

When opening a WebCase, include:

- Target FPGA including package and speed grade
- All applicable Xilinx Design Tools, and simulator software versions
- For CORE Generator tools projects, the XCO file created during generation of the LogiCORE™ IP wrapper .
- Additional files might be required based on the specific issue. See the relevant sections in this debug guide for further information on specific files to include with the WebCase.

Debug Tools

There are many tools available to debug PCI Express design issues. This section indicates which tools are useful for debugging the various situations encountered.

Example Design

Xilinx Endpoint for PCI Express products come with a synthesizable back-end application called the PIO design that has been tested and is proven to be interoperable in available systems. The design appropriately handles all incoming one Endpoint read and write transactions. It returns completions for non-posted transactions and updates the target memory space for writes. For more information, see [Programmed Input/Output: Endpoint Example Design, page 269](#) (Vivado Design Suite) or [Programmed Input/Output: Endpoint Example Design, page 361](#) (ISE Design Suite).

ChipScope Pro Tool

The ChipScope™ Pro tool inserts logic analyzer, bus analyzer, and virtual I/O software cores directly into the user design. The ChipScope Pro tool allows the user to set trigger conditions to capture application and Integrated Block port signals in hardware. Captured signals can then be analyzed through the ChipScope Pro Logic Analyzer tool. For detailed information on the ChipScope Pro tool, visit www.xilinx.com/chipscope.

Reference Boards

Various Xilinx development boards support the Integration Block for PCIe. These boards can be used to prototype designs and establish that the core can communicate with the system.

- 7 series evaluation boards
 - KC705

- KC724

Link Analyzers

Third-party link analyzers show link traffic in a graphical or text format. Lecroy, Agilent, and Vmetro are companies that make common analyzers available today. These tools greatly assist in debugging link issues and allow users to capture data which Xilinx support representatives can view to assist in interpreting link behavior.

Third-Party Software Tools

This section describes third-party software tools that can be useful in debugging.

LSPCI (Linux)

LSPCI is available on Linux platforms and allows users to view the PCI Express device configuration space. LSPCI is usually found in the `/sbin` directory. LSPCI displays a list of devices on the PCI buses in the system. See the LSPCI manual for all command options. Some useful commands for debugging include:

- `lspci -x -d [<vendor>]: [<device>]`

This displays the first 64 bytes of configuration space in hexadecimal form for the device with vendor and device ID specified (omit the `-d` option to display information for all devices). The default Vendor/Device ID for Xilinx cores is 10EE:6012. Here is a sample of a read of the configuration space of a Xilinx device:

```
> lspci -x -d 10EE:6012
81:00.0 Memory controller: Xilinx Corporation: Unknown device 6012
00: ee 10 12 60 07 00 10 00 00 00 80 05 10 00 00 00
10: 00 00 80 fa 00 00 00 00 00 00 00 00 00 00 00 00
20: 00 00 00 00 00 00 00 00 00 00 00 00 ee 10 6f 50
30: 00 00 00 00 40 00 00 00 00 00 00 00 05 01 00 00
```

Included in this section of the configuration space are the Device ID, Vendor ID, Class Code, Status and Command, and Base Address Registers.

- `lspci -xxxx -d [<vendor>]: [<device>]`

This displays the extended configuration space of the device. It can be useful to read the extended configuration space on the root and look for the Advanced Error Reporting (AER) registers. These registers provide more information on why the device has flagged an error (for example, it might show that a correctable error was issued because of a replay timer timeout).

- `lspci -k`

Shows kernel drivers handling each device and kernel modules capable of handling it (works with kernel 2.6 or later).

PCItree (Windows)

PCItree can be downloaded at www.pcitree.de and allows the user to view the PCI Express device configuration space and perform one DWORD memory writes and reads to the aperture.

The configuration space is displayed by default in the lower right corner when the device is selected, as shown in Figure B-1.

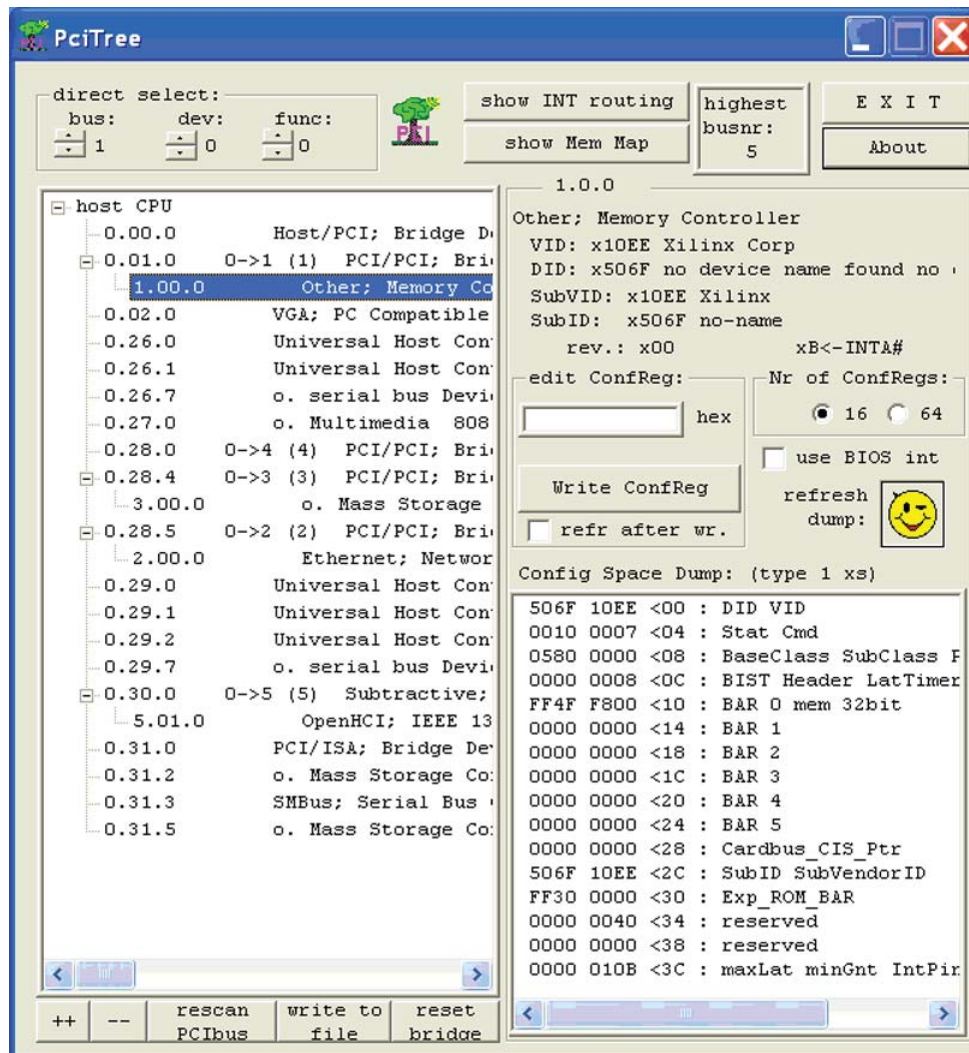


Figure B-1: PCItree with Read of Configuration Space

HWDIRECT (Windows)

HWDIRECT can be purchased at www.eprotek.com and allows you to view the PCI Express device configuration space as well as the extended configuration space (including the AER registers on the root).

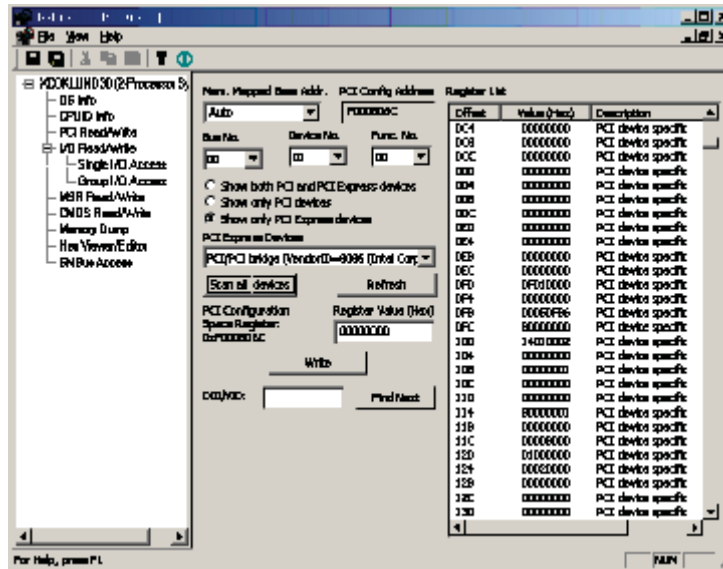


Figure B-2: HWDIRECT with Read of Configuration Space

PCI-SIG Software Suites

PCI-SIG® software suites such as PCIE-CV can be used to test compliance with the specification. This software can be downloaded at www.pcisig.com.

Simulation Debug

This section provides simulation debug flow diagrams for some of the most common issues experienced by users. Endpoints that are shaded gray indicate that more information can be found in sections after Figure B-3.

ModelSim Debug

Figure B-3 shows the flowchart for ModelSim debug.

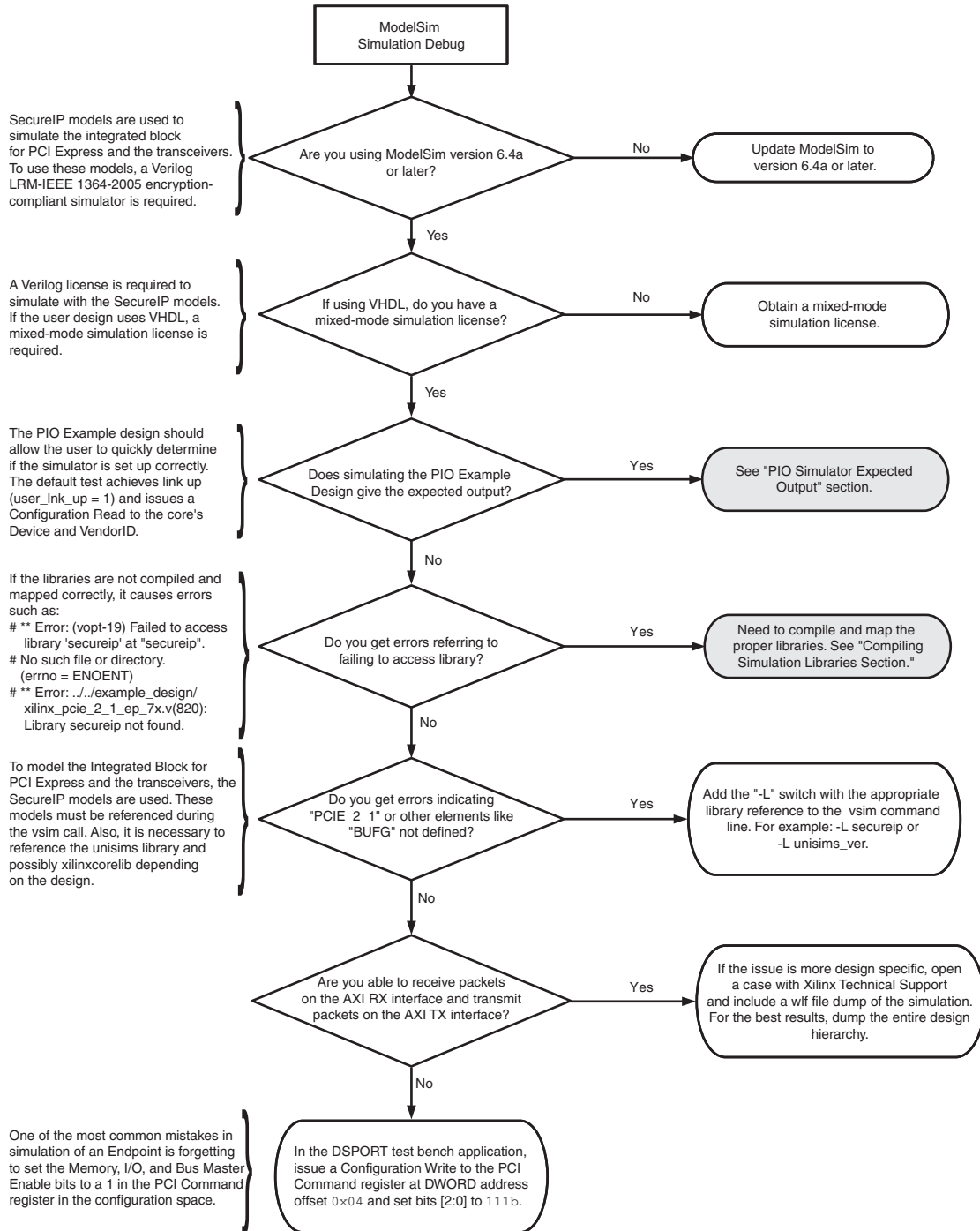


Figure B-3: ModelSim Debug Flow Diagram

PIO Simulator Expected Output

The PIO design simulation should give the output as follows:

```
# Running test {pio_writeReadBack_test0}.....
# [ 0] : System Reset Asserted...
```

```

# [          4995000] : System Reset De-asserted...
# [          48743324] : Transaction Reset Is De-asserted...
# [          50471408] : Transaction Link Is Up...
# [          50535337] : TSK_PARSE_FRAME on Transmit
# [          53799296] : TSK_PARSE_FRAME on Receive
# [          58535316] :      Check Max Link Speed = 2.5GT/s - PASSED
# [          58535316] : Check Negotiated Link Width = 01x - PASSED
# [          58583267] : TSK_PARSE_FRAME on Transmit
# [          60967220] : TSK_PARSE_FRAME on Receive
# [          66583220] :      Check Device/Vendor ID - PASSED
# [          66631220] : TSK_PARSE_FRAME on Transmit
# [          69031328] : TSK_PARSE_FRAME on Receive
# [          74631328] :      Check CMPS ID - PASSED
# [          74631328] : SYSTEM CHECK PASSED
# [          74631328] : Inspecting Core Configuration Space...
# [          74679316] : TSK_PARSE_FRAME on Transmit
# [          76327322] : TSK_PARSE_FRAME on Transmit
# [          77031308] : TSK_PARSE_FRAME on Receive
# [          78727272] : TSK_PARSE_FRAME on Receive
# [          84375277] : TSK_PARSE_FRAME on Transmit
# [          86023267] : TSK_PARSE_FRAME on Transmit
# [          86727220] : TSK_PARSE_FRAME on Receive
# [          88423220] : TSK_PARSE_FRAME on Receive
# [          94071220] : TSK_PARSE_FRAME on Transmit
# [          95719220] : TSK_PARSE_FRAME on Transmit
# [          96423288] : TSK_PARSE_FRAME on Receive
# [          98119322] : TSK_PARSE_FRAME on Receive
# [         103767322] : TSK_PARSE_FRAME on Transmit
# [         105415337] : TSK_PARSE_FRAME on Transmit
# [         106119316] : TSK_PARSE_FRAME on Receive
# [         107815316] : TSK_PARSE_FRAME on Receive
# [         113463267] : TSK_PARSE_FRAME on Transmit
# [         115111308] : TSK_PARSE_FRAME on Transmit
# [         115815207] : TSK_PARSE_FRAME on Receive
# [         117511220] : TSK_PARSE_FRAME on Receive
# [         123159220] : TSK_PARSE_FRAME on Transmit
# [         124807220] : TSK_PARSE_FRAME on Transmit
# [         125511308] : TSK_PARSE_FRAME on Receive
# [         127207296] : TSK_PARSE_FRAME on Receive
# [         132855337] : TSK_PARSE_FRAME on Transmit
# [         134503288] : TSK_PARSE_FRAME on Transmit
# [         135207316] : TSK_PARSE_FRAME on Receive
# [         136903316] : TSK_PARSE_FRAME on Receive
# [         142503316] PCI EXPRESS BAR MEMORY/IO MAPPING PROCESS BEGUN...
# BAR 0: VALUE = 00000000 RANGE = fff00000 TYPE = MEM32 MAPPED
# BAR 1: VALUE = 00000000 RANGE = 00000000 TYPE = DISABLED
# BAR 2: VALUE = 00000000 RANGE = 00000000 TYPE = DISABLED
# BAR 3: VALUE = 00000000 RANGE = 00000000 TYPE = DISABLED
# BAR 4: VALUE = 00000000 RANGE = 00000000 TYPE = DISABLED
# BAR 5: VALUE = 00000000 RANGE = 00000000 TYPE = DISABLED
# EROM : VALUE = 00000000 RANGE = 00000000 TYPE = DISABLED
# [         142503316] : Setting Core Configuration Space...
# [         142551308] : TSK_PARSE_FRAME on Transmit
# [         144199316] : TSK_PARSE_FRAME on Transmit
# [         144903193] : TSK_PARSE_FRAME on Receive
# [         145847316] : TSK_PARSE_FRAME on Transmit
# [         146567204] : TSK_PARSE_FRAME on Receive
# [         147495316] : TSK_PARSE_FRAME on Transmit
# [         148199270] : TSK_PARSE_FRAME on Receive

```

```

# [          149143316] : TSK_PARSE_FRAME on Transmit
# [          149863267] : TSK_PARSE_FRAME on Receive
# [          150791328] : TSK_PARSE_FRAME on Transmit
# [          151495316] : TSK_PARSE_FRAME on Receive
# [          152439322] : TSK_PARSE_FRAME on Transmit
# [          153159316] : TSK_PARSE_FRAME on Receive
# [          154087296] : TSK_PARSE_FRAME on Transmit
# [          154791316] : TSK_PARSE_FRAME on Receive
# [          155735315] : TSK_PARSE_FRAME on Transmit
# [          156455316] : TSK_PARSE_FRAME on Receive
# [          158087322] : TSK_PARSE_FRAME on Receive
# [          171735277] : Transmitting TLPs to Memory 32 Space BAR 0
# [          171783193] : TSK_PARSE_FRAME on Transmit
# [          171991308] : TSK_PARSE_FRAME on Transmit
# [          174247296] : TSK_PARSE_FRAME on Receive
# [          179943316] : Test PASSED --- Write Data: 01020304 successfully received
# [          180103267] : Finished transmission of PCI-Express TLPs
# ** Note: $finish      : ../tests/sample_tests1.v(317)
#      Time: 180103267 ps  Iteration: 6  Instance: /board/RP/tx_usrapp

```

Compiling Simulation Libraries

Use the `compplib` command to compile simulation libraries. This tool is delivered as part of the Xilinx software. For more information about `compplib`, see the *Command Line Tools User Guide (UG628)* [Ref 13].

Assuming the Xilinx and ModelSim environments are set up correctly, this is an example of compiling the SecureIP and UNISIM libraries for Verilog into the current directory:

```
compplib -s mti_se -arch virtex7 -l verilog -lib secureip -lib unisims -dir ./
```

Additional options available for `compplib` are described in the *Command Line Tools User Guide*.

`Compplib` produces a `modelsim.ini` file containing the library mappings. In ModelSim, to see the current library mappings type `vmap` at the prompt. The mappings can be updated in the ini file, or to map a library at the ModelSim prompt, type:

```
vmap [<logical_name>] [<path>]
```

For example:

```
Vmap unisims_ver C:\my_unisim_lib
```

Next Step

If the debug suggestions listed previously do not resolve the issue, open a support case or visit the Xilinx User Community forums to have the appropriate Xilinx expert assist with the issue.

To create a technical support case in WebCase, see the Xilinx website at:

www.xilinx.com/support/clearexpress/websupport.htm

Items to include when opening a case:

- Detailed description of the issue and results of the steps listed above.
- Attach a VCD or WLF dump of the simulation.

To discuss possible solutions, use the Xilinx User Community:

forums.xilinx.com/xlnx/

Hardware Debug

Hardware issues can range from device recognition issues to problems seen after hours of testing. This section provides debug flow diagrams for some of the most common issues. Endpoints that are shaded gray indicate that more information can be found in sections after [Figure B-4](#).

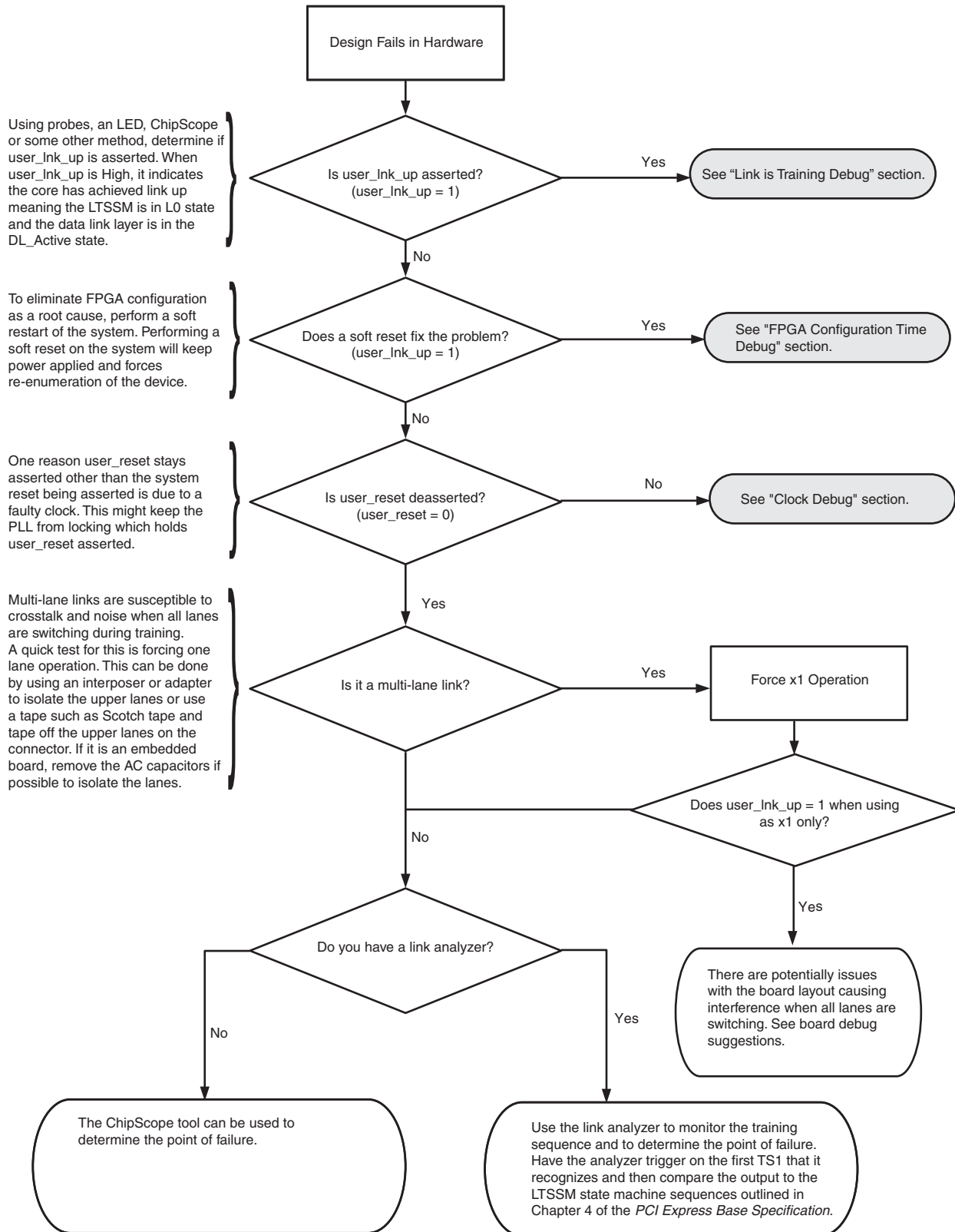


Figure B-4: Design Fails in Hardware Debug Flow Diagram

FPGA Configuration Time Debug

Device initialization and configuration issues can be caused by not having the FPGA configured fast enough to enter link training and be recognized by the system. Section 6.6 of *PCI Express Base Specification, rev. 2.1* [Ref 2] states two rules that might be impacted by FPGA Configuration Time:

- A component must enter the LTSSM Detect state within 20 ms of the end of the Fundamental reset.
- A system must guarantee that all components intended to be software visible at boot time are ready to receive Configuration Requests within 100 ms of the end of Conventional Reset at the Root Complex.

These statements basically mean the FPGA must be configured within a certain finite time, and not meeting these requirements could cause problems with link training and device recognition.

Configuration can be accomplished using an onboard PROM or dynamically using JTAG. When using JTAG to configure the device, configuration typically occurs after the Chipset has enumerated each peripheral. After configuring the FPGA, a soft reset is required to restart enumeration and configuration of the device. A soft reset on a Windows based PC is performed by going to **Start > Shut Down** and then selecting **Restart**.

To eliminate FPGA configuration as a root cause, the designer should perform a soft restart of the system. Performing a soft reset on the system keeps power applied and forces re-enumeration of the device. If the device links up and is recognized after a soft reset is performed, then FPGA configuration is most likely the issue. Most typical systems use ATX power supplies which provide some margin on this 100 ms window as the power supply is normally valid before the 100 ms window starts. For more information on FPGA configuration, see [FPGA Configuration in Chapter 3](#).

Link is Training Debug

[Figure B-5](#) shows the flowchart for link trained debug.

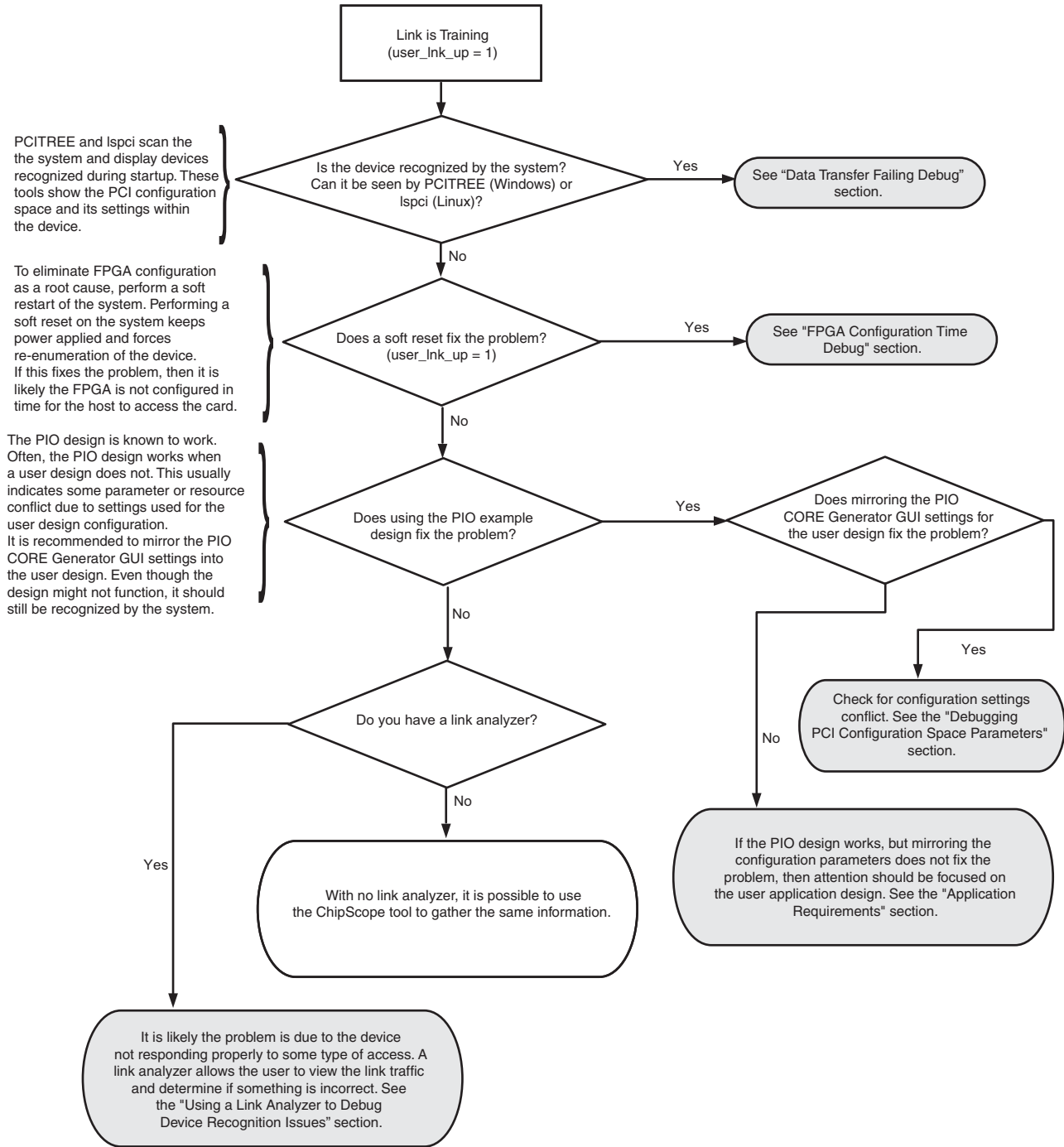


Figure B-5: Link Trained Debug Flow Diagram

FPGA Configuration Time Debug

Device initialization and configuration issues can be caused by not having the FPGA configured fast enough to enter link training and be recognized by the system. Section 6.6 of *PCI Express Base Specification, rev. 2.1* [Ref 2] states two rules that might be impacted by FPGA Configuration Time:

- A component must enter the LTSSM Detect state within 20 ms of the end of the Fundamental reset.
- A system must guarantee that all components intended to be software visible at boot time are ready to receive Configuration Requests within 100 ms of the end of Conventional Reset at the Root Complex.

These statements basically mean the FPGA must be configured within a certain finite time, and not meeting these requirements could cause problems with link training and device recognition.

Configuration can be accomplished using an onboard PROM or dynamically using JTAG. When using JTAG to configure the device, configuration typically occurs after the Chipset has enumerated each peripheral. After configuring the FPGA, a soft reset is required to restart enumeration and configuration of the device. A soft reset on a Windows based PC is performed by going to **Start > Shut Down** and then selecting **Restart**.

To eliminate FPGA configuration as a root cause, the designer should perform a soft restart of the system. Performing a soft reset on the system keeps power applied and forces re-enumeration of the device. If the device links up and is recognized after a soft reset is performed, then FPGA configuration is most likely the issue. Most typical systems use ATX power supplies which provides some margin on this 100 ms window as the power supply is normally valid before the 100 ms window starts. For more information on FPGA configuration, see [FPGA Configuration in Chapter 3](#).

Clock Debug

One reason to not deassert the user_reset_out signal is that the fabric PLL (MMCM) and Transceiver PLL have not locked to the incoming clock. To verify lock, monitor the transceiver's RXPLLLKDET output and the MMCM's LOCK output. If the PLLs do not lock as expected, it is necessary to ensure the incoming reference clock meets the requirements in *7 Series FPGAs GTX/GTH Transceivers User Guide* [Ref 10]. The REFCLK signal should be routed to the dedicated reference clock input pins on the serial transceiver, and the user design should instantiate the IBUFDS_GTE2 primitive in the user design. See the *7 Series FPGAs GTX/GTH Transceivers User Guide* for more information on PCB layout requirements, including reference clock requirements.

Reference clock jitter can potentially close both the TX and RX eyes, depending on the frequency content of the phase jitter. Therefore, as clean a reference clock as possible must be maintained. Reduce crosstalk on REFCLK by isolating the clock signal from nearby high-speed traces. Maintain a separation of at least 25 mils from the nearest aggressor signals. The PCI Special Interest Group website provides other tools for ensuring the reference clocks are compliant to the requirements of the *PCI Express Specification*: www.pcisig.com/specifications/pciexpress/compliance/compliance_library

Debugging PCI Configuration Space Parameters

Often, a user application fails to be recognized by the system, but the Xilinx PIO Example design works. In these cases, the user application is often using a PCI configuration space setting that is interfering with the system systems ability to recognize and allocate resources to the card.

Xilinx solutions for PCI Express handle all configuration transactions internally and generate the correct responses to incoming configuration requests. Chipsets have limits as to the amount of system resources it can allocate and the core must be configured to adhere to these limitations.

The resources requested by the Endpoint are identified by the BAR settings within the Endpoint configuration space. The user should verify that the resources requested in each BAR can be allocated by the chipset. I/O BARs are especially limited so configuring a large I/O BAR typically prevents the chipset from configuring the device. Generate a core that implements a small amount of memory (approximately 2 KB) to identify if this is the root cause.

The Class Code setting selected in the CORE Generator tool GUI can also affect configuration. The Class Code informs the Chipset as to what type of device the Endpoint is. Chipsets might expect a certain type of device to be plugged into the PCI Express slot and configuration might fail if it reads an unexpected Class Code. The BIOS could be configurable to work around this issue.

Use the PIO design with default settings to rule out any device allocation issues. The PIO design default settings have proven to work in all systems encountered when debugging problems. If the default settings allow the device to be recognized, then change the PIO design settings to match the intended user application by changing the PIO configuration the CORE Generator tool GUI. Trial and error might be required to pinpoint the issue if a link analyzer is not available.

Using a link analyzer, it is possible to monitor the link traffic and possibly determine when during the enumeration and configuration process problems occur.

Application Requirements

During enumeration, it is possible for the chipset to issue TLP traffic that is passed from the core to the backend application. A common oversight when designing custom backend applications is to not have logic which handles every type incoming request. As a result, no response is created and problems arise. The PIO design has the necessary backend functions to respond correctly to any incoming request. It is the responsibility of the application to generate the correct response. These packet types are presented to the application:

- Requests targeting the Expansion ROM (if enabled)
- Message TLPs

- Memory or I/O requests targeting a BAR
- All completion packets

The PIO design, can be used to rule out any of these types of concerns, as the PIO design responds to all incoming transactions to the user application in some way to ensure the host receives the proper response allowing the system to progress. If the PIO design works, but the custom application does not, some transaction is not being handled properly.

The ChipScope tool should be implemented on the wrapper Receive AXI4-Stream interface to identify if requests targeting the backend application are drained and completed successfully. The AXI4-Stream interface signals that should be probed in the ChipScope tool are defined in [Table B-1, page 433](#).

Using a Link Analyzer to Debug Device Recognition Issues

In cases where the link is up (`user_lnk_up = 1`), but the device is not recognized by the system, a link analyzer can help solve the issue. It is likely the FPGA is not responding properly to some type of access. The link view can be used to analyze the traffic and see if anything looks out of place.

To focus on the issue, it might be necessary to try different triggers. Here are some trigger examples:

- Trigger on the first `INIT_FC1` and/or `UPDATE_FC` in either direction. This allows the analyzer to begin capture after link up.
- The first TLP normally transmitted to an Endpoint is the Set Slot Power Limit Message. This usually occurs before Configuration traffic begins. This might be a good trigger point.
- Trigger on Configuration TLPs.
- Trigger on Memory Read or Memory Write TLPs.

Data Transfer Failing Debug

[Figure B-6](#) shows the flowchart for data transfer debug.

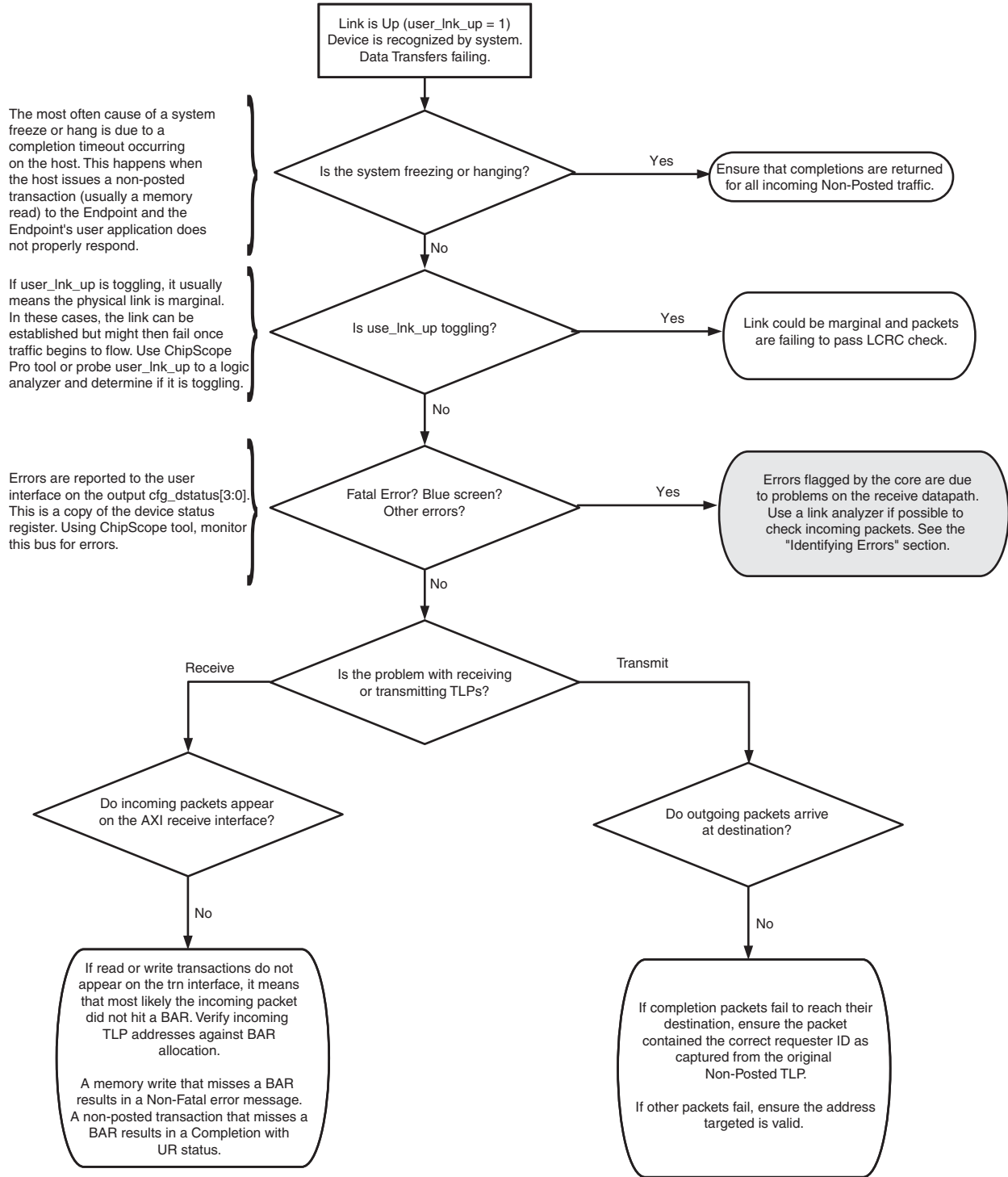


Figure B-6: Data Transfer Debug Flow Diagram

Identifying Errors

Hardware symptoms of system lock up issues are indicated when the system hangs or a blue screen appears (PC systems). The *PCI Express Base Specification, rev. 2.1* [Ref 2] requires

that error detection be implemented at the receiver. A system lock up or hang is commonly the result of a Fatal Error and is reported in bit 2 of the receiver's Device Status register. Using the ChipScope tool, monitor the core device status register to see if a fatal error is being reported.

A fatal error reported at the Root complex implies an issue on the transmit side of the EP. The Root Complex Device Status register can often times be seen using PCITree (Windows) or LSPCI (Linux). If a fatal error is detected, see the [Transmit](#) section. A Root Complex can often implement Advanced Error Reporting, which further distinguishes the type of error reported. AER provides valuable information as to why a certain error was flagged and is provided as an extended capability within a devices configuration space. Section 7.10 of the *PCI Express Base Specification, rev. 2.1* provides more information on AER registers.

Transmit

Fatal Error Detected on Root or Link Partner

Check to make sure the TLP is correctly formed and that the payload (if one is attached) matches what is stated in the header length field. The Endpoints device status register does not report errors created by traffic on the transmit channel.

These signals should be monitored on the Transmit interface to verify all traffic being initiated is correct. See [Table 2-9, page 20](#) for signal descriptions.

- user_lnk_up
- s_axis_tx_tlast
- s_axis_tx_tdata
- s_axis_tx_trb
- s_axis_tx_tvalid
- s_axis_tx_tready

Fatal Error Not Detected

Ensure that the address provided in the TLP header is valid. The kernel mode driver attached to the device is responsible for obtaining the system resources allocated to the device. In a Bus Mastering design, the driver is also responsible for providing the application with a valid address range. System hangs or blue screens might occur if a TLP contains an address that does not target the designated address range for that device.

Receive

Xilinx solutions for PCI Express provide the Device Status register to the application on CFG_DSTATUS[3:0].

Table B-1: Description of CFG_DSTATUS[3:0]

CFG_DSTATUS[3:0]	Description
CFG_DSTATUS[0]	Correctable Error Detected
CFG_DSTATUS[1]	Non-Fatal Error Detected
CFG_DSTATUS[2]	Fatal Error Detected
CFG_DSTATUS[3]	UR Detected

System lock up conditions due to issues on the receive channel of the PCI Express core are often result of an error message being sent upstream to the root. Error messages are only sent when error reporting is enabled in the Device Control register.

A fatal condition is reported if any of these events occur:

- Training Error
- DLL Protocol Error
- Flow Control Protocol Error
- Malformed TLP
- Receiver Overflow

The first four bullets are not common in hardware because both Xilinx solutions for PCI Express and connected components have been thoroughly tested in simulation and hardware. However, a receiver overflow is a possibility. Users must ensure they follow requirements discussed in [Receiver Flow Control Credits Available in Chapter 3](#) when issuing memory reads.

Non-Fatal Errors

This subsection lists conditions reported as Non-Fatal errors. See the *PCI Express Base Specification, rev. 2.1* for more details.

If the error is being reported by the root, the AER registers can be read to determine the condition that led to the error. Use a tool such as HWDIRECT, discussed in [Third-Party Software Tools, page 418](#), to read the root's AER registers. Chapter 7 of the *PCI Express Base Specification* defines the AER registers. If the error is signaled by the Endpoint, debug ports are available to help determine the specific cause of the error.

Correctable Non-Fatal errors are:

- Receiver Error
- Bad TLP
- Bad DLLP
- Replay Timeout

- Replay NUM Rollover

The first three errors listed above are detected by the receiver and are not common in hardware systems. The replay error conditions are signaled by the transmitter. If an ACK is not received for a packet within the allowed time, it is replayed by the transmitter. Throughput can be reduced if many packets are being replayed, and the source can usually be determined by examining the link analyzer or ChipScope tool captures.

Uncorrectable Non-Fatal errors are:

- Poisoned TLP
- Received ECRC Check Failed
- Unsupported Request (UR)
- Completion Timeout
- Completer Abort
- Unexpected Completion
- ACS Violation

An unsupported request usually indicates that the address in the TLP did not fall within the address space allocated to the BAR. This often points to an issue with the address translation performed by the driver. Ensure also that the BAR has been assigned correctly by the root at start-up. LSPCI or PCItree discussed in [Third-Party Software Tools, page 418](#) can be used to read the BAR values for each device.

A completion timeout indicates that no completion was returned for a transmitted TLP and is reported by the requester. This can cause the system to hang (could include a blue screen on Windows) and is usually caused when one of the devices locks up and stops responding to incoming TLPs. If the root is reporting the completion timeout, the ChipScope tool can be used to investigate why the User Application did not respond to a TLP (for example, the User Application is busy, there are no transmit buffers available, or `s_axis_tx_tready` is deasserted). If the Endpoint is reporting the Completion timeout, a link analyzer would show the traffic patterns during the time of failure and would be useful in determining the root cause.

Next Steps

If the debug suggestions listed previously do not resolve the issue, open a support case or visit the Xilinx User Community forums to have the appropriate Xilinx expert assist with the issue.

To create a technical support case in WebCase, see the Xilinx website at:

www.xilinx.com/support/clearexpress/websupport.htm

Items to include when opening a case:

- Detailed description of the issue and results of the steps listed above.
- ChipScope tool VCD captures taken in the steps above.

To discuss possible solutions, use the Xilinx User Community:

forums.xilinx.com/xlnx/

Managing Receive-Buffer Space for Inbound Completions

The *PCI Express® Base Specification* [Ref 2] requires all Endpoints to advertise infinite Flow Control credits for received Completions to their link partners. This means that an Endpoint must only transmit Non-Posted Requests for which it has space to accept Completion responses. This appendix describes how a User Application can manage the receive-buffer space in the LogiCORE™ IP 7 Series Integrated Block for PCI Express core to fulfill this requirement.

General Considerations and Concepts

Completion Space

Table C-1 defines the completion space reserved in the receive buffer by the core. The values differ depending on the different Capability Max Payload Size settings of the core and the performance level selected by the designer. If the designer chooses to not have TLP Digests (ECRC) removed from the incoming packet stream, the TLP Digests (ECRC) must be accounted for as part of the data payload. Values are credits, expressed in decimal.

Table C-1: Receiver-Buffer Completion Space

Capability Max Payload Size (bytes)	Performance Level: Good		Performance Level: High	
	Cpl. Hdr. (Total_CplH)	Cpl. Data (Total_CplD)	Cpl. Hdr. (Total_CplH)	Cpl. Data (Total_CplD)
128	36	77	36	154
156	36	77	36	154
512	36	154	36	308
1024	36	308	36	616

Maximum Request Size

A Memory Read cannot request more than the value stated in Max_Request_Size, which is given by Configuration bits `cfg_dcommand[14:12]` as defined in Table C-2. If the User

Application chooses not to read the Max_Request_Size value, it must use the default value of 128 bytes.

Table C-2: Max_Request_Size Settings

cfg_dcommand[14:12]	Max_Request_Size			
	Bytes	DW	QW	Credits
000b	128	32	16	8
001b	256	64	32	16
010b	512	128	64	32
011b	1024	256	128	64
100b	2048	512	256	128
101b	4096	1024	512	256
110b-111b	Reserved			

Read Completion Boundary

A Memory Read can be answered with multiple Completions, which when put together return all requested data. To make room for packet-header overhead, the User Application must allocate enough space for the maximum number of Completions that might be returned.

To make this process easier, the *PCI Express Base Specification* quantizes the length of all Completion packets such that each must start and end on a naturally aligned Read Completion Boundary (RCB), unless it services the starting or ending address of the original request. The value of RCB is determined by Configuration bit `cfg_lcommand[3]` as defined in [Table C-3](#). If the User Application chooses not to read the RCB value, it must use the default value of 64 bytes.

Table C-3: Read Completion Boundary Settings

cfg_lcommand[3]	Read Completion Boundary			
	Bytes	DW	QW	Credits
0	64	16	8	4
1	128	32	16	8

When calculating the number of Completion credits a Non-Posted Request requires, the user must determine how many RCB-bounded blocks the Completion response might require; this is the same as the number of Completion Header credits required.

Methods of Managing Completion Space

A User Application can choose one of five methods to manage receive-buffer Completion space, as listed in Table C-4. For convenience, this discussion refers to these methods as LIMIT_FC, PACKET_FC, RCB_FC, DATA_FC, and STREAM_FC. Each has advantages and disadvantages that the designer needs to consider when developing the User Application.

Table C-4: Managing Receive Completion Space Methods

Method	Description	Advantage	Disadvantage
LIMIT_FC	Limit the total number of outstanding NP Requests	Simplest method to implement in user logic	Much Completion capacity goes unused
PACKET_FC	Track the number of outstanding CplH and CplD credits; allocate and deallocate on a per-packet basis	Relatively simple user logic; finer allocation granularity means less wasted capacity than LIMIT_FC	As with LIMIT_FC, credits for an NP are still tied up until the Request is completely satisfied
RCB_FC	Track the number of outstanding CplH and CplD credits; allocate and deallocate on a per-RCB basis	Ties up credits for less time than PACKET_FC	More complex user logic than LIMIT_FC or PACKET_FC
DATA_FC	Track the number of outstanding CplH and CplD credits; allocate and deallocate on a per-RCB basis	Lowest amount of wasted capacity	More complex user logic than LIMIT_FC, PACKET_FC, and RCB_FC
STREAM_FC	Stream packets out of the core at line rate	Very high performance	The user must accept and process Downstream Completion and Posted Transactions at line rate; Most complex user logic

LIMIT_FC Method

The LIMIT_FC method is the simplest to implement. The User Application assesses the maximum number of outstanding Non-Posted Requests allowed at one time, MAX_NP. To calculate this value, perform these steps:

1. Determine the number of CplH credits required by a Max_Request_Size packet:

$$\text{Max_Header_Count} = \text{ceiling}(\text{Max_Request_Size} / \text{RCB})$$

2. Determine the greatest number of maximum-sized Completions supported by the CplD credit pool:

$$\text{Max_Packet_Count_CplD} = \text{floor}(\text{CplD} / \text{Max_Request_Size})$$

- Determine the greatest number of maximum-sized Completions supported by the CplH credit pool:

$$\text{Max_Packet_Count_CplH} = \text{floor}(\text{CplH} / \text{Max_Header_Count})$$

- Use the *smaller* of the two quantities from steps 2 and 3 to obtain the maximum number of outstanding Non-Posted requests:

$$\text{MAX_NP} = \text{min}(\text{Max_Packet_Count_CplH}, \text{Max_Packet_Count_CplD})$$

With knowledge of MAX_NP, the User Application can load a register NP_PENDING with zero at reset and make sure it always stays with the range 0 to MAX_NP. When a Non-Posted Request is transmitted, NP_PENDING decrements by one. When *all* Completions for an outstanding NP Request are received, NP_PENDING increments by one.

Although this method is the simplest to implement, it can waste the greatest receiver space because an entire Max_Request_Size block of Completion credit is allocated for each Non-Posted Request, regardless of actual request size. The amount of waste becomes greater when the User Application issues a larger proportion of short Memory Reads (on the order of a single DWORD), I/O Reads and I/O Writes.

PACKET_FC Method

The PACKET_FC method allocates blocks of credit in finer granularities than LIMIT_FC, using the receive Completion space more efficiently with a small increase in user logic.

Start with two registers, CPLH_PENDING and CPLD_PENDING, (loaded with zero at reset), and then perform these steps:

- When the User Application needs to send an NP request, determine the potential number of CplH and CplD credits it might require:

$$\text{NP_CplH} = \text{ceiling}[\text{((Start_Address mod RCB) + Request_Size) / RCB}]$$

$$\text{NP_CplD} = \text{ceiling}[\text{((Start_Address mod 16 bytes) + Request_Size) / 16 bytes}]$$

(except I/O Write, which returns zero data)

The modulo and ceiling functions ensure that any fractional RCB or credit blocks are rounded up. For example, if a Memory Read requests 8 bytes of data from address 7Ch, the returned data can potentially be returned over two Completion packets (7Ch-7Fh, followed by 80h-83h). This would require two RCB blocks and two data credits.

- Check these:

$$\text{CPLH_PENDING} + \text{NP_CplH} \leq \text{Total_CplH} \text{ (from Table C-1)}$$

$$\text{CPLD_PENDING} + \text{NP_CplD} \leq \text{Total_CplD} \text{ (from Table C-1)}$$

3. If both inequalities are true, transmit the Non-Posted Request, increase CPLH_PENDING by NP_CplH and CPLD_PENDING by NP_CplD. For each NP Request transmitted, keep NP_CplH and NP_CplD for later use.
4. When all Completion data is returned for an NP Request, decrement CPLH_PENDING and CPLD_PENDING accordingly.

This method is less wasteful than LIMIT_FC but still ties up all of an NP Request's Completion space until the *entire* request is satisfied. RCB_FC and DATA_FC provide finer deallocation granularity at the expense of more logic.

RCB_FC Method

The RCB_FC method allocates and de-allocates blocks of credit in RCB granularity. Credit is freed on a per-RCB basis.

As with PACKET_FC, start with two registers, CPLH_PENDING and CPLD_PENDING (loaded with zero at reset).

1. Calculate the number of data credits per RCB:

$$\text{CplD_PER_RCB} = \text{RCB} / 16 \text{ bytes}$$

2. When the User Application needs to send an NP request, determine the potential number of CplH credits it might require. Use this to allocate CplD credits with RCB granularity:

$$\text{NP_CplH} = \text{ceiling}[(\text{Start_Address mod RCB}) + \text{Request_Size}] / \text{RCB}]$$

$$\text{NP_CplD} = \text{NP_CplH} \times \text{CplD_PER_RCB}$$

3. Check these:

$$\text{CPLH_PENDING} + \text{NP_CplH} \leq \text{Total_CplH}$$

$$\text{CPLD_PENDING} + \text{NP_CplD} \leq \text{Total_CplD}$$

4. If both inequalities are true, transmit the Non-Posted Request, increase CPLH_PENDING by NP_CplH and CPLD_PENDING by NP_CplD.
5. At the start of each incoming Completion, or when that Completion begins at or crosses an RCB without ending at that RCB, decrement CPLH_PENDING by 1 and CPLD_PENDING by CplD_PER_RCB. Any Completion could cross more than one RCB. The number of RCB crossings can be calculated by:

$$\text{RCB_CROSSED} = \text{ceiling}[(\text{Lower_Address mod RCB}) + \text{Length}] / \text{RCB}]$$

Lower_Address and Length are fields that can be parsed from the Completion header. Alternatively, a designer can load a register CUR_ADDR with Lower_Address at the start

of each incoming Completion, increment per DW or QW as appropriate, then count an RCB whenever CUR_ADDR rolls over.

This method is less wasteful than PACKET_FC but still gives us an RCB granularity. If a User Application transmits I/O requests, the User Application could adopt a policy of only allocating one CplD credit for each I/O Read and zero CplD credits for each I/O Write. The User Application would have to match each incoming Completion's Tag with the Type (Memory Write, I/O Read, I/O Write) of the original NP Request.

DATA_FC Method

The DATA_FC method provides the finest allocation granularity at the expense of logic.

As with PACKET_FC and RCB_FC, start with two registers, CPLH_PENDING and CPLD_PENDING (loaded with zero at reset).

1. When the User Application needs to send an NP request, determine the potential number of CplH and CplD credits it might require:

$$\text{NP_CplH} = \text{ceiling}[\text{((Start_Address mod RCB) + Request_Size) / RCB}]$$

$$\text{NP_CplD} = \text{ceiling}[\text{((Start_Address mod 16 bytes) + Request_Size) / 16 bytes}]$$

(except I/O Write, which returns zero data)

2. Check these:

$$\text{CPLH_PENDING} + \text{NP_CplH} \leq \text{Total_CplH}$$

$$\text{CPLD_PENDING} + \text{NP_CplD} \leq \text{Total_CplD}$$

3. If both inequalities are true, transmit the Non-Posted Request, increase CPLH_PENDING by NP_CplH and CPLD_PENDING by NP_CplD.
4. At the start of each incoming Completion, or when that Completion begins at or crosses an RCB without ending at that RCB, decrement CPLH_PENDING by 1. The number of RCB crossings can be calculated by:

$$\text{RCB_CROSSED} = \text{ceiling}[\text{((Lower_Address mod RCB) + Length) / RCB}]$$

Lower_Address and Length are fields that can be parsed from the Completion header. Alternatively, a designer can load a register CUR_ADDR with Lower_Address at the start of each incoming Completion, increment per DW or QW as appropriate, then count an RCB whenever CUR_ADDR rolls over.

5. At the start of each incoming Completion, or when that Completion begins at or crosses at a naturally aligned credit boundary, decrement CPLD_PENDING by 1. The number of credit-boundary crossings is given by:

$$\text{DATA_CROSSED} = \text{ceiling}[\text{((Lower_Address mod 16 B) + Length) / 16 B}]$$

Alternatively, a designer can load a register CUR_ADDR with Lower_Address at the start of each incoming Completion, increment per DW or QW as appropriate, then count an RCB whenever CUR_ADDR rolls over each 16-byte address boundary.

This method is the least wasteful but requires the greatest amount of user logic. If even finer granularity is desired, the user can scale the Total_CplD value by 2 or 4 to get the number of Completion QWORDS or DWORDS, respectively, and adjust the data calculations accordingly.

STREAM_FC Method

When configured as an Endpoint, user applications can maximize Downstream (away from Root Complex) data throughput by streaming Memory Read Transactions Upstream (towards the Root Complex) at the highest rate allowed on the Integrated Block Transaction transmit interface. Streaming Memory Reads are allowed only if m_axis_rx_tready can be held asserted; so that Downstream Completion Transactions, along with Posted Transactions, can be presented on the integrated block's receive Transaction interface and processed at line rate. Asserting m_axis_rx_tready in this manner guarantees that the Completion space within the receive buffer is not oversubscribed (that is, Receiver Overflow does not occur).

PCIE_2_1 Port Descriptions

This appendix describes the physical interfaces visible on the Xilinx® 7 Series FPGAs Integrated Block software primitive, PCIE_2_1.

This appendix contains these sections:

- [Clock and Reset Interface](#)
- [Transaction Layer Interface](#)
- [Block RAM Interface](#)
- [GTX Transceiver Interface](#)
- [Configuration Management Interface](#)
- [Dynamic Reconfiguration Port Interface](#)
- [Debug Interface Ports](#)
- [TL2 Interface Ports](#)

Clock and Reset Interface

Table D-1 defines the ports in the Clock and Reset interface.

Table D-1: **Clock and Reset Interface Port Descriptions**

Port	Direction	Clock Domain	Description
CMRSTN	Input	USERCLK	Configuration Management reset (active-Low). This input resets the PCI™ Configuration Space of the integrated block.
CMSTICKYRSTN	Input	USERCLK	Sticky configuration reset (active-Low). This input resets the sticky registers in the PCI Configuration Space of the integrated block.
DLRSTN	Input	USERCLK	Data Link Layer reset (active-Low). This input resets the Data Link Layer (DLL) of the integrated block.
FUNCLVLRSTN	Input	USERCLK	Not supported. This input must be tied High.
PIPECLK	Input	PIPECLK	PIPE interface clock.

Table D-1: Clock and Reset Interface Port Descriptions (Cont'd)

Port	Direction	Clock Domain	Description
PLRECEIVEDHOTRST	Output	PIPECLK	Received hot reset. When asserted, this output indicates an in-band hot reset has been received.
PLRSTN	Input	PIPECLK	Physical Layer reset (active-Low). This input resets the Physical Layer of the integrated block.
PLTRANSMITHOTRST	Input	PIPECLK	Transmit hot reset. When asserted, this input directs the integrated block to transmit an in-band hot reset.
RECEIVEDFUNCLVLRSTN	Output	USERCLK	Not supported.
SYSRSTN	Input	NONE	Asynchronous system reset (active-Low). When this input is asserted the integrated block is reset.
TLRSTN	Input	USERCLK	Transaction Layer reset (active-Low). This input resets the Transaction Layer of the integrated block.
USERCLK	Input	USERCLK	User interface clock.
USERCLK2	Input	USERCLK	User interface clock 2.
USERRSTN	Output	USERCLK	User interface reset (active-Low). This output should be used to reset the user design logic (it is asserted when the integrated block is reset).

Transaction Layer Interface

Packets are presented to and received from the integrated block's Transaction Layer through the Transaction Layer interface. Table D-2 defines the ports in the Transaction Layer interface.

Table D-2: Transaction Layer Interface Port Descriptions

Port	Direction	Clock Domain	Description
TRNFCCPLD[11:0]	Output	USERCLK	Completion Data Flow Control Credits. This output contains the number of Completion Data FC credits for the selected flow control type.
TRNFCCPLH[7:0]	Output	USERCLK	Completion Header Flow Control Credits. This output contains the number of Completion Header FC credits for the selected flow control type.
TRNFCNPD[11:0]	Output	USERCLK	Non-Posted Data Flow Control Credits. This output contains the number of Non-Posted Data FC credits for the selected flow control type.
TRNFCNPH[7:0]	Output	USERCLK	Non-Posted Header Flow Control Credits. This output contains the number of Non-Posted Header FC credits for the selected flow control type.
TRNFPCPD[11:0]	Output	USERCLK	Posted Data Flow Control Credits. This output contains the number of Posted Data FC credits for the selected flow control type.

Table D-2: Transaction Layer Interface Port Descriptions (Cont'd)

Port	Direction	Clock Domain	Description
TRNFCPH[7:0]	Output	USERCLK	Posted Header Flow Control Credits. This output contains the number of Posted Header FC credits for the selected flow control type.
TRNFCSEL[2:0]	Input	USERCLK	Flow Control Informational Select. This input selects the type of flow control information presented on the TRNFC* signals. Valid values are: <ul style="list-style-type: none"> • 000b: Receive buffer available space • 001b: Receive credits granted to the link partner • 010b: Receive credits consumed • 100b: Transmit user credits available • 101b: Transmit credit limit • 110b: Transmit credits consumed
TRNLNKUP	Output	USERCLK	Link status output (active-High). When this output is asserted, the Data Link Control and Management State Machine (DLCMSM) is in the DLACTIVE state.
TRNRBARHIT[6:0]	Output	USERCLK	Receive BAR Hit (active-High). This output indicates the BAR(s) targeted by the current receive transaction: <ul style="list-style-type: none"> • TRNRBARHIT[0]: BAR0 • TRNRBARHIT[1]: BAR1 • TRNRBARHIT[2]: BAR2 • TRNRBARHIT[3]: BAR3 • TRNRBARHIT[4]: BAR4 • TRNRBARHIT[5]: BAR5 • TRNRBARHIT[6]: Expansion ROM Address • TRNRBARHIT[7]: Reserved for future use If two BARs are configured into a single 64-bit address, both corresponding TRNRBARHITN bits are asserted.
TRNRD[127:0]	Output	USERCLK	Receive Data. This bus contains the packet data being received.
TRNRDSTRDY	Input	USERCLK	Receive Destination Ready (active-High). This input is asserted to indicate that the user application is ready to accept data on TRNRD. Simultaneous assertion of TRNRSRCRDY and TRNRDSTRDY marks the successful transfer of data on TRNRD.
TRNRECRERR	Output	USERCLK	Receive ECRC Error (active-High). When asserted, this output indicates the current packet in progress has an ECRC error. It is asserted by the integrated block at the packet EOF.
TRNREOF	Output	USERCLK	Receive End-of-Frame (active-High). When asserted, this output indicates the end of a packet.
TRNRERRFWD	Output	USERCLK	Receive Error Forward (active-High). This output marks the current packet in progress as error-poisoned. It is asserted by the integrated block for the entire length of the packet.
TRNRFCPRET	Input	USERCLK2	Receive Posted Flow Control Credit Return. When asserted for one cycle, this input sets a condition that allows the posted credits to be transmitted to the link partner. The condition is cleared when the posted flow control credits are transmitted.

Table D-2: Transaction Layer Interface Port Descriptions (Cont'd)

Port	Direction	Clock Domain	Description
TRNRNPOK	Input	USERCLK	Receive Non-Posted OK (active-High). The user application asserts this input whenever it is ready to accept a Non-Posted Request packet. This allows Posted and Completion packets to bypass Non-Posted packets in the inbound queue if necessitated by the user application. When the user application approaches a state where it is unable to service Non-Posted Requests, it must deassert TRNRNPOK one clock cycle before the integrated block presents TRNREOF of the last Non-Posted TLP the user application can accept.
TRNRNPREQ	Input	USERCLK2	Receive Non-Posted Request. When asserted, this input requests one non-posted TLP from the integrated block.
TRNRREM[1:0]	Output	USERCLK2	<p>Receive Data Word Enable. This output is valid only if both TRNREOF and TRNRDSTRDY are asserted. Bit 1 is valid only when the datapath is 128 bits.</p> <p>When combined with TRNREOF and TRNRSOF, this output indicates which words of the TRNRD are valid.</p> <ul style="list-style-type: none"> • 64-bit interface: TRNRREM[0] = 1, packet data on all of TRNRD[63:0] TRNRREM[0] = 0, packet data only on TRNRD[63:32] • 128-bit interface: TRNRREM[1]: Valid only if TRNRSRCRDY and TRNRDSTRDY are asserted. When asserted along with TRNRSOF or TRNREOF, indicates the location of start of frame (SOF) and/or end of frame (EOF) within the beat. <ul style="list-style-type: none"> ◦ TRNRREM[1] = 1: Indicates TRNRD[127:64] has SOF and/or TRNRD[63:0] has EOF ◦ TRNRREM[1] = 0: Indicates TRNRD[127:64] has EOF and/or TRNRD[63:0] has SOF TRNRREM[0]: Valid only if TRNREOF, TRNRSRCRDY, and TRNRDSTRDY are all asserted If TRNRREM[1] = 1: <ul style="list-style-type: none"> ◦ TRNRREM[0] = 1, packet data is on all of TRNRD[127:0] ◦ TRNRREM[0] = 0, packet data is only on TRNRD[127:32] If TRNRREM[1] = 0: <ul style="list-style-type: none"> ◦ TRNRREM[0] = 1, packet data on all of TRNRD[127:64] ◦ TRNRREM[0] = 0, packet data only on TRNRD[127:96]
TRNRSOF	Output	USERCLK	Receive Start-of-Frame (active-High). When asserted, this output indicates the start of a packet.
TRNRSRCDSC	Output	USERCLK	Receive Source Discontinue (active-High). When asserted, this output indicates that the integrated block is aborting the current packet transfer. It is asserted when the physical link is going into reset.
TRNRSRCRDY	Output	USERCLK	Receive Source Ready (active-High). When asserted, this output indicates that the integrated block is presenting valid data on TRNRD.

Table D-2: Transaction Layer Interface Port Descriptions (Cont'd)

Port	Direction	Clock Domain	Description
TRNTBUFAV[5:0]	Output	USERCLK	Transmit Buffers Available. This output provides the number of transmit buffers available in the integrated block. The maximum number is 32. Each transmit buffer can accommodate one TLP up to the supported Maximum Payload Size.
TRNTCFGGNT	Input	USERCLK	Transmit Configuration Grant (active-High). The user application asserts this input in response to TRNTCFGREQ, to allow the integrated block to transmit an internally generated TLP. If the user does not need to postpone internally generated TLPs, this signal can be continuously asserted.
TRNTCFGREQ	Output	USERCLK	Transmit Configuration Request (active-High). This output is asserted when the integrated block is ready to transmit a Configuration Completion or other internally generated TLP.
TRNTD[127:0]	Input	USERCLK	Transmit Data. This bus contains the packet data to be transmitted.
TRNTDSTRDY[3:0]	Output	USERCLK	Transmit Destination Ready (active-High). When asserted, this output indicates that the integrated block is ready to accept data on TRNTD. Simultaneous assertion of TRNTSRCRDY and TRNTDSTRDY marks a successful transfer of data on TRNTD.
TRNTECRGEN	Input	USERCLK	Transmit ECRC Generate (active-High). When asserted, this input causes the TLP Digest to be recalculated (if present) or appended (if not present). This input must be asserted along with packet SOF.
TRNTEOF	Input	USERCLK	Transmit End-of-Frame (active-High). This input signals the end of a packet.
TRNTERRDROP	Output	USERCLK	Transmit Error Drop (active-High). When asserted, this output indicates that the integrated block discarded a packet because of a length violation or, when streaming, data was not presented on consecutive clock cycles. Length violations include packets longer than supported or packets whose payload does not match the payload advertised in the TLP header length field.
TRNTERRFWD	Input	USERCLK	Transmit Error Forward (active-High). This input marks the current packet in progress as error-poisoned. It can be asserted any time between SOF and EOF, inclusive.
TRNTREM[1:0]	Input	USERCLK2	Transmit Data Remainder. Valid only if TRNTEOF, TRNTSRCRDY, and TRNTDSTRDY are all asserted. <ul style="list-style-type: none"> • 64-bit interface Valid values are: <ul style="list-style-type: none"> ◦ TRNTREM = 1, packet data on TRNTD[63:0] ◦ TRNTREM = 0, packet data on TRNTD[63:32] • 128-bit interface TRNTREM[1:0] is used for the 128-bit interface. Valid values are: <ul style="list-style-type: none"> ◦ TRNTREM[1:0] = 11, packet data on TRNTD[127:0] ◦ TRNTREM[1:0] = 10, packet data on TRNTD[127:32] ◦ TRNTREM[1:0] = 01, packet data on TRNTD[127:64] ◦ TRNTREM[1:0] = 00, packet data on TRNTD[127:96]

Table D-2: Transaction Layer Interface Port Descriptions (Cont'd)

Port	Direction	Clock Domain	Description
TRNTSOF	Input	USERCLK	Transmit Start-of-Frame (active-High). When asserted, this input indicates the start of a packet.
TRNTSRCDCS	Input	USERCLK	Transmit Source Discontinue (active-High). When asserted, this input indicates that the user application is aborting the current packet.
TRNTSRCRDY	Input	USERCLK	Transmit Source Ready (active-High). When asserted, this input indicates that the user application is presenting valid data on TRNTD.
TRNTSTR	Input	USERCLK	Transmit Streamed (active-High). When asserted, this input indicates a packet is presented on consecutive clock cycles and transmission on the link can begin before the entire packet has been written to the integrated block.

Block RAM Interface

The Transmit (TX) and Receive (RX) buffers are implemented with block RAM. Table D-3 defines the TX buffer and RX buffer ports for the Block RAM interface.

Table D-3: Block RAM Interface Port Descriptions

Port	Direction	Clock Domain	Description
MIMXRADDR[12:0]	Output	USERCLK	RX buffer read address
MIMXRDATA[67:0]	Input	USERCLK	RX buffer read data
MIMXRREN	Output	USERCLK	RX buffer read enable
MIMRXWADDR[12:0]	Output	USERCLK	RX buffer write address
MIMRXWDATA[67:0]	Output	USERCLK	RX buffer write data
MIMRXWEN	Output	USERCLK	RX buffer write enable
MIMTXRADDR[12:0]	Output	USERCLK	TX buffer read address
MIMTXRDATA[68:0]	Input	USERCLK	TX buffer read data
MIMTXREN	Output	USERCLK	TX buffer read enable
MIMTXWADDR[12:0]	Output	USERCLK	TX buffer write address
MIMTXWDATA[68:0]	Output	USERCLK	TX buffer write data
MIMTXWEN	Output	USERCLK	TX buffer write enable

GTX Transceiver Interface

The GTX Transceiver interface consists of these signal groupings:

- [GTX Transceiver Ports](#)
- [PIPE per Lane Ports](#)

GTX Transceiver Ports

[Table D-4](#) defines the transceiver ports within the GTX Transceiver interface.

Table D-4: GTX Transceiver Port Descriptions

Port	Direction	Clock Domain	Description
PLSELLNKRATE	Output	PIPECLK	This output reports the current link rate (driven by a separate flip-flop to control the PIPECLK BUFGMUX): <ul style="list-style-type: none"> • 0b: 2.5 GB/s • 1b: 5.0 GB/s
PLSELLNKWIDTH[1:0]	Output	PIPECLK	This output reports the current link width: <ul style="list-style-type: none"> • 00b: x1 • 01b: x2 • 10b: x4 • 11b: x8

Table D-4: GTX Transceiver Port Descriptions (Cont'd)

Port	Direction	Clock Domain	Description
PLLSSMSTATE[5:0]	Output	PIPECLK	This output shows the current LTSSM state: <ul style="list-style-type: none"> • 000000b: Det Quiet • 000001b: Det Quiet Gen2 • 000010b: Det Active • 000011b: Det Active Second • 000100b: Pol Active • 000101b: Pol config • 000110b: Pol Comp Pre Send Eios • 000111b: Pol Comp Pre Time-out • 001000b: Pol Comp Send Pattern • 001001b: Pol Comp Post Send Eios • 001010b: Pol Comp Post Time-out • 001011b: Cfg Lwidth St0 • 001100b: Cfg Lwidth St1 • 001101b: Cfg Lwidth Ac0 • 001110b: Cfg Lwidth Ac1 • 001111b: Cfg Lnum Wait • 010000b: Cfg Lnum Acpt • 010001b: Cfg Complete1 • 010010b: Cfg Complete2 • 010011b: Cfg Complete4 • 010100b: Cfg Complete8 • 010101b: Cfg Idle

Table D-4: GTX Transceiver Port Descriptions (Cont'd)

Port	Direction	Clock Domain	Description
PLLTSSMSTATE[5:0] (Cont'd)	Output	PIPECLK	This output shows the current LTSSM state: <ul style="list-style-type: none"> • 010110b: L0 • 010111b: L1 Entry0 • 011000b: L1 Entry1 • 011001b: L1 Entry2 • 011010b: L1 Idle • 011011b: L1 Exit • 011100b: Rec Rcvrlock • 011101b: Rec Rcvrcfg • 011110b: Rec Speed 0 • 011111b: Rec Speed 1 • 100000b: Rec Idle • 100001b: Hot Rst • 100010b: Disabled Entry0 • 100011b: Disabled Entry1 • 100100b: Disabled Entry2 • 100101b: Disabled Idle • 100110b: Dp Cfg Lwidth St0 • 100111b: Dp Cfg Lwidth St1 • 101000b: Dp Cfg Lwidth St2 • 101001b: Dp Cfg Lwidth Ac0 • 101010b: Dp Cfg Lwidth Ac1 • 101011b: Dp Cfg Lnum Wait • 101100b: Dp Cfg Lnum Acpt • 101101b: To 2 Detect • 101110b: Lpbk Entry0 • 101111b: Lpbk Entry1 • 110000b: Lpbk Active0 • 110001b: Lpbk Exit0 • 110010b: Lpbk Exit1 • 110011b: Lpbkm Entry0 • 110100b - 111111b: Reserved
PLLANEREVERSALMODE[1:0]	Output	PIPECLK	This output shows the current Lane Reversal mode: <ul style="list-style-type: none"> • 00b: No reversal • 01b: Lanes 1:0 reversed • 10b: Lanes 3:0 reversed • 11b: Lanes 7:0 reversed
PLPHYLNKUPN	Output	PIPECLK	This active-Low output indicates the Physical Layer link up status.

Table D-4: GTX Transceiver Port Descriptions (Cont'd)

Port	Direction	Clock Domain	Description
PLDIRECTEDLINKCHANGE[1:0]	Input	PIPECLK	This input directs the LTSSM to initiate a link width and/or speed change: <ul style="list-style-type: none"> • 00b: No change • 01b: Force link width • 10b: Force link speed • 11b: Force link width and speed (level-triggered)
PLDIRECTEDLINKWIDTH[1:0]	Input	PIPECLK	This input specifies the target link width for a directed link change operation (it is only acted on when DIRECTEDLINKCHANGE[0] is 1b): <ul style="list-style-type: none"> • 00b: x1 • 01b: x2 • 10b: x4 • 11b: x8
PLDIRECTEDLINKSPEED	Input	PIPECLK	This input specifies the target link speed for a directed link change operation (only acted on when DIRECTEDLINKCHANGE[1] is 1b): <ul style="list-style-type: none"> • 0b: 2.5 GB/s • 1b: 5.0 GB/s
PLDIRECTEDLTSSMNEW[5:0]	Input	PIPECLK	Tie-off to 000000.
PLDIRECTEDLTSSMNEWVLD	Input	PIPECLK	Tie-off to 0.
PLDIRECTEDLTSSMSTALL	Input	PIPECLK	Tie-off to 0.
PLDIRECTEDCHANGEDONE	Output	PIPECLK	This output indicates that the directed link speed change or directed link width change is done.
PLDIRECTEDLINKAUTON	Input	PIPECLK	This input specifies link reliability or autonomous for directed link change operation: <ul style="list-style-type: none"> • 0b: Link reliability • 1b: Autonomous
PLTXPMSTATE[2:0]	Output	PIPECLK	This output indicates the TX power management state: <ul style="list-style-type: none"> • 000b: TXNOTINLOS • 001b: TXLOSENTRY • 010b: TXLOSIDLE • 011b: TXLOSFTS • 100b - 111b: Reserved
PLRXPMSTATE[1:0]	Output	PIPECLK	This output indicates the RX power management state: <ul style="list-style-type: none"> • 00b: RXNOTINLOS • 01b: RXLOSENTRY • 10b: RXLOSIDLE • 11b: RXLOSFTS

Table D-4: GTX Transceiver Port Descriptions (Cont'd)

Port	Direction	Clock Domain	Description
PLLINKUPCFGCAP	Output	PIPECLK	When this output is High, the link is upconfigure capable (the link partner advertised upconfigure capability [symbol 4, bit 6] in the TS2s while in the Config.Complete state, and the device is upconfigure capable).
PLLINKGEN2CAP	Output	PIPECLK	A High on this output indicates that the link is 5.0 GB/s capable (the link partner advertised a 5.0 GB/s data rate during the last transition from Recovery.RcvrCfg or Config.Complete to the L0 state and the device is 5.0 GB/s capable).
PLLINKPARTNERGEN2SUPPORTED	Output	PIPECLK	This output is driven High if the link partner supports a 5.0 GB/s data rate (advertised at least after the 5.0 GB/s data rate was detected upon exiting, while transitioning from Recovery.RcvrCfg or Config.Complete to the L0 state).
PLINITIALLINKWIDTH[2:0]	Output	PIPECLK	This output specifies the initial negotiated link width (when the first entry to Config.Idle from detect was successfully completed). <ul style="list-style-type: none"> • 000b: Link not trained yet • 001b: x1 • 010b: x2 • 011b: x4 • 100b: x8
PLUPSTREAMPREFERDEEMPH	Input	PIPECLK	This input indicates the preferred de-emphasis of an Endpoint. This input is used only when the UPSTREAM_FACING attribute is set to TRUE. <ul style="list-style-type: none"> • 0b: -6 dB • 1b: -3.5 dB
PLDOWNSTREAMDEEMPHSOURCE	Input	PIPECLK	The downstream Root Port selects the de-emphasis used on the link at 5.0 GB/s. <ul style="list-style-type: none"> • 0b: Use Upstream Link Partner preferred de-emphasis • 1b: Use the Selectable De-Emphasis value from the Link Control 2 Register (only used when the UPSTREAM_FACING attribute is set to FALSE)
PIPETXRCDDET	Output	PIPECLK	When asserted, this output either initiates a receiver detection operation (in power state P1) or begins loopback (in power state P0).
PIPETXRESET	Output	PIPECLK	When asserted, this output resets the PCS portion of the GTX transceiver.

Table D-4: GTX Transceiver Port Descriptions (Cont'd)

Port	Direction	Clock Domain	Description
PIPETXRATE	Output	PIPECLK	This output controls the link signaling rate (connects to the GTX transceiver): <ul style="list-style-type: none"> • 0b: Use a 2.5 GB/s signaling rate • 1b: Use a 5.0 GB/s signaling rate
PIPETXDEEMPH	Output	PIPECLK	This output selects the transmitter de-emphasis: <ul style="list-style-type: none"> • 0b: -6 dB de-emphasis • 1b: -3.5 dB de-emphasis
PIPETXMARGIN[2:0]	Output	PIPECLK	This output selects the transmitter voltage levels: <ul style="list-style-type: none"> • 000b: Normal operating range • 001b: 1200 mV for full swing OR 400 - 700 mV for half swing • 010b: Required and vendor defined • 011b: Required and vendor defined • 100b: Required and 200 - 400 mV for full swing OR 100 - 200 mV for half swing if the last value or vendor defined • 101b: Optional and 200 - 400 mV for full swing OR 100 - 200 mV for half swing if the last value OR vendor defined OR Reserved if no other values supported • 110b: Optional and 200 - 400 mV for full swing OR 100 - 200 mV for half swing • 111b: Optional and 200 - 400 mV for full swing OR 100 - 200 mV for half swing if the last value OR Reserved if no other values supported

PIPE per Lane Ports

Table D-5 defines the PIPE per Lane ports within the GTX Transceiver interface. There are eight copies of the PIPE per lane ports, one for each lane ($n = 0$ to 7).

Table D-5: PIPE per Lane Port Descriptions

Port	Direction	Clock Domain	Description
PIPERX _n CHANISALIGNED	Input	PIPECLK	When this input is asserted, the channel is properly aligned with the master transceiver according to the observed channel bonding sequences in the data stream.
PIPERX _n CHARISK[1:0]	Input	PIPECLK	This input determines the control bit(s) for received data: <ul style="list-style-type: none"> • 0b: Data byte • 1b: Control byte The lower bit corresponds to the lower byte of PIPERX _n DATA[15:0] while the upper bit describes the upper byte.
PIPERX _n DATA[15:0]	Input	PIPECLK	This input provides the received data.
PIPERX _n ELECIDLE	Input	PIPECLK	This asynchronous input indicates electrical idle on the RX.
PIPERX _n PHYSTATUS	Input	PIPECLK	This input indicates completion of GTX transceiver functions, such as Power Management state transitions and receiver detection on lane <i>n</i> . The completion is indicated by a single cycle assertion of PIPERX _n PHYSTATUS.
PIPERX _n POLARITY	Output	PIPECLK	When High, this output instructs the GTX transceiver to invert polarity (on the RX differential pair).
PIPERX _n STATUS[2:0]	Input	PIPECLK	This input encodes the receiver status and error codes for the received data stream and receiver detection on lane <i>n</i> : <ul style="list-style-type: none"> • 000b: Data received OK • 001b: 1 SKP added • 010b: 1 SKP removed • 011b: Receiver Detected • 100b: 8B/10B decode error • 101b: Elastic Buffer overflow • 110b: Elastic Buffer underflow • 111b: Receive disparity error
PIPERX _n VALID	Input	PIPECLK	This input indicates the presence of symbol lock and valid data on PIPERX ₀ DATA and PIPERX ₀ CHARISK.
PIPETX _n CHARISK[1:0]	Output	PIPECLK	This output defines the control bit(s) for transmit data: <ul style="list-style-type: none"> • 0b: Data byte • 1b: Control byte The lower bit corresponds to the lower byte of PIPETX _n DATA[15:0] while the upper bit describes the upper byte.
PIPETX _n COMPLIANCE	Output	PIPECLK	When asserted, this output forces the running disparity to negative. It is used only when the compliance pattern is transmitted.
PIPETX _n DATA[15:0]	Output	PIPECLK	This output contains the transmit data.

Table D-5: PIPE per Lane Port Descriptions (Cont'd)

Port	Direction	Clock Domain	Description
PIPETX _n ELECIDLE	Output	PIPECLK	This output forces the transmit output to electrical idle in all power states.
PIPETX _n POWERDOWN[1:0]	Output	PIPECLK	This output is the Power Management signal for the transmitter for lane <i>n</i> : <ul style="list-style-type: none"> • 00b: P0 (Normal operation) • 01b: P0s (Low recovery time power-saving state) • 10b: P1 (Longer recovery time power state) • 11b: Reserved

Configuration Management Interface

The Configuration Management Interface contains these signal groupings:

- Management Interface Ports
- Error Reporting Ports
- Interrupt Generation and Status Ports
- Root Port Specific Ports
- Received Message TLP Status Ports
- Power Management Ports
- Received Configuration TLP Status Ports
- Configuration-Specific Register Ports
- Miscellaneous Configuration Management Ports

Management Interface Ports

Table D-6 defines the Management Interface ports within the Configuration Management interface. These ports are used when reading and writing the Configuration Space Registers.

Table D-6: Management Interface Port Descriptions

Port	Direction	Clock Domain	Description
CFGMGMTBYTEENN[3:0]	Input	USERCLK	Management Access Byte Enable (active-Low). This 4-bit input provides the byte enables for the configuration register access signal.
CFGMGMTDI[31:0]	Input	USERCLK	Management Data In. This 32-bit data input provides write data to the configuration space inside the integrated block.
CFGMGMTDO[31:0]	Output	USERCLK	Management Data Out. This 32-bit data output obtains read data from the configuration space inside the integrated block.
CFGMGMTDWADDR[9:0]	Input	USERCLK	Management DWORD Address. This 10-bit address input provides a configuration register DWORD address during configuration register accesses.
CFGMGMTRDENN	Input	USERCLK	Management Read Enable (active-Low). This input is the read-enable for configuration register accesses.
CFGMGMTRDWRDONEN	Output	USERCLK	Management Read or Write Done (active-Low). The read-write done signal indicates successful completion of the user configuration register access operation. For a user configuration register read operation, this signal validates the value of the CFGMGMTDO[31:0] data bus.
CFGMGMTWRENN	Input	USERCLK	Management Write Enable (active-Low). This input is the write-enable for configuration register accesses.

Table D-6: Management Interface Port Descriptions (Cont'd)

Port	Direction	Clock Domain	Description
CFGMGMTWRREADONLYN	Input	USERCLK	Management Write Read-only Bits (active-Low). When asserted, this input indicates the current write should treat a read-only (RO) bit as a read/write (RW) bit, not including bits set by attributes, reserved bits, and bits that reflect status. This permits the user to change RO bits (the bit remains RO for link-side accesses).
CFGMGMTWRRW1CASRWN	Input	USERCLK	Management Write RW1C Bit As RW (active-Low). When asserted, this input indicates the current write should treat any RW1C bit as a RW bit. An RW1C bit is cleared by writing a 1 to it and can normally only be set by internal integrated block conditions. The user uses this signal to set the bit to 1.

Error Reporting Ports

Table D-7 defines the Error Reporting ports within the Configuration Management interface.

Table D-7: Error Reporting Port Descriptions

Port	Direction	Clock Domain	Description
CFGERRACSN	Input	USERCLK	Configuration Error Access Control Services (ACS) Violation (active-Low). The user asserts this signal to report an ACS Violation.
CFGERRAERHEADERLOG[127:0]	Input	USERCLK	Configuration Error AER Header Log. This 128-bit input accepts the header information for the AER Header Log from the user when an error is signaled. Tie-off to 0.
CFGERRAERHEADERLOGSETN	Output	USERCLK	Not used.
CFGERRATOMICEGRESSBLOCKEDN	Input	USERCLK2	Configuration Error AtomicOp Egress Blocked (active-Low). The user application asserts this signal to report that an Atomic TLP was blocked.

Table D-7: Error Reporting Port Descriptions (Cont'd)

Port	Direction	Clock Domain	Description
CFGERRCORN	Input	USERCLK	Configuration Error Correctable Error (active-Low). The user application asserts this signal to report a Correctable Error.
CFGERRCPLABORTN	Input	USERCLK	Configuration Error Completion Aborted (active-Low). The user application asserts this signal to report a completion was aborted. This signal is ignored if CFGERRCPLRDYN is deasserted.
CFGERRCPLRDYN	Output	USERCLK	Configuration Error TLP Completion Header FIFO Ready (active-Low). When this output is asserted, the internal FIFO that buffers headers from CFGERRTLPCPLHEADER[47:0] can accept entries. When this output is deasserted, CFGERRURN and CFGERRCPLABORTN are ignored by the integrated block.
CFGERRCPLTIMEOUTN	Input	USERCLK	Configuration Error Completion Time-out (active-Low). The user application asserts this signal to report a completion timed out.
CFGERRCPLUNEXPECTN	Input	USERCLK	Configuration Error Completion Unexpected (active-Low). The user application asserts this signal to report that an unexpected completion was received.
CFGERRECRN	Input	USERCLK	ECRC Error Report (active-Low). The user application asserts this signal to report an end-to-end CRC (ECRC) error.
CFGERRINTERNALCORN	Input	USERCLK2	Configuration Error Corrected Internal (active-Low). The user application asserts this signal to report that an Internal error occurred and was corrected.
CFGERRINTERNALUNCORN	Input	USERCLK2	Configuration Error Uncorrectable Internal (active-Low). The user application asserts this signal to report that an Uncorrectable Internal error occurred.

Table D-7: Error Reporting Port Descriptions (Cont'd)

Port	Direction	Clock Domain	Description
CFGERRLOCKEDN	Input	USERCLK	Configuration Error Locked (active-Low). This input is used to further qualify the CFGERRURN or CFGERRCPLABORTN input signal. When this input is asserted concurrently with one of those two signals, it indicates that the transaction that caused the error was an MRdLk transaction and not an MRd. The integrated block generates a CplLk instead of a Cpl if the appropriate response is to send a Completion.
CFGERRMALFORMEDN	Input	USERCLK2	Configuration Error Malformed Error (active-Low). The user application asserts this signal to report a Malformed Error.
CFGERRMCBLOCKEDN	Input	USERCLK2	Configuration Error Multicast Blocked (active-Low). The user application asserts this signal to report that a Multicast TLP was blocked.
CFGERRNORECOVERYN	Input	USERCLK2	Configuration Error Cannot Recover (active-Low). This input further qualifies the CFGERRPOISONEDN and CFGERRCPLTIMEOUTN inputs. When this input is asserted concurrently with one of these inputs, it indicates that the transaction that caused these errors is not recoverable. Thus, for a Completion Timeout, the user elects not to re-attempt the Request. For a received Poisoned TLP, the user cannot continue operation.
CFGERRPOISONEDN	Input	USERCLK2	Configuration Error Poisoned TLP (active-Low). The user application asserts this signal to report that a Poisoned TLP was received. This input is only used if the DISABLE_RX_POISONED_RESP attribute is 1.

Table D-7: Error Reporting Port Descriptions (Cont'd)

Port	Direction	Clock Domain	Description
CFGERRPOSTEDN	Input	USERCLK	Configuration Error Posted (active-Low). This input is used to further qualify any of the CFGERR* input signals. When this input is asserted concurrently with one of the other signals, it indicates that the transaction that caused the error was a posted transaction.
CFGERRTLPCPLHEADER[47:0]	Input	USERCLK	Configuration Error TLP Completion Header. This 48-bit input accepts the header information from the user when an error is signaled. This information is required so that the integrated block can issue a correct completion, if required. This information should be extracted from the received error TLP and presented in the listed format: [47:41] Lower Address [40:29] Byte Count [28:26] TC [25:24] Attr [23:8] Requester ID [7:0] Tag
CFGERRURN	Input	USERCLK	Configuration Error Unsupported Request (active-Low). The user application asserts this signal to report that an Unsupported Request (UR) was received. This signal is ignored if CFGERRCPLRDYN is deasserted.

Interrupt Generation and Status Ports

Table D-8 defines the Interrupt Generation and Status ports within the Configuration Management interface.

Table D-8: Interrupt Generation and Status Port Descriptions

Port	Direction	Clock Domain	Description
CFGINTERRUPTASSERTN	Input	USERCLK	Configuration Legacy Interrupt Assert/Deassert Select. This input selects between Assert and Deassert messages for Legacy interrupts when CFGINTERRUPTN is asserted. It is not used for MSI interrupts. Value Message Type: <ul style="list-style-type: none"> • 0b: Assert • 1b: Deassert
CFGINTERRUPTDI[7:0]	Input	USERCLK	Configuration Interrupt Data In. For Message Signaling Interrupts (MSI), this input provides the portion of the Message Data that the Endpoint must drive to indicate MSI vector number, if Multi-Vector Interrupts are enabled. The value indicated by CFGINTERRUPTMMENABLE[2:0] determines the number of lower-order bits of Message Data that the Endpoint provides; the remaining upper bits of CFGINTERRUPTDI[7:0] are not used. For Single-Vector Interrupts, CFGINTERRUPTDI[7:0] is not used. For Legacy Interrupt Messages (ASSERTINTX, DEASSERTINTX), this input indicates which message type is sent, where Value Legacy Interrupt is: <ul style="list-style-type: none"> • 00h: INTA • 01h: INTB • 02h: INTC • 03h: INTD
CFGINTERRUPTDO[7:0]	Output	USERCLK	Configuration Interrupt Data Out. This output is the value of the lowest eight bits of the Message Data field in the Endpoint's MSI capability structure. This value is used in conjunction with CFGINTERRUPTMMENABLE[2:0] to drive CFGINTERRUPTDI[7:0].

Table D-8: Interrupt Generation and Status Port Descriptions (Cont'd)

Port	Direction	Clock Domain	Description
CFGINTERRUPTMMENABLE[2:0]	Output	USERCLK	Configuration Interrupt Multiple Message Enabled. This output has the value of the Multiple Message Enable field, where values range from 000b to 101b. A value of 000b indicates that single vector MSI is enabled. Other values indicate the number of bits that can be used for multi-vector MSI.
CFGINTERRUPTMSIENABLE	Output	USERCLK	Configuration Interrupt MSI Enabled. <ul style="list-style-type: none"> • 0: Only Legacy (INTx) interrupts can be sent • 1: The Message Signaling Interrupt (MSI) messaging is enabled
CFGINTERRUPTMSIXENABLE	Output	USERCLK	Configuration Interrupt MSIX Enabled. When asserted, this output indicates that the Message Signaling Interrupt (MSI-X) messaging is enabled.
CFGINTERRUPTMSIXFM	Output	USERCLK	Configuration Interrupt MSIX Function Mask. This output indicates the state of the Function Mask bit in the MSI-X Message Control field.
CFGINTERRUPTN	Input	USERCLK	Configuration Interrupt Request (active-Low). When asserted, this input causes the selected interrupt message type to be transmitted by the integrated block. The signal should be asserted until CFGINTERRUPTRDYN is asserted.

Table D-8: Interrupt Generation and Status Port Descriptions (Cont'd)

Port	Direction	Clock Domain	Description
CFGINTERRUPTRDYN	Output	USERCLK	Configuration Interrupt Ready (active-Low). This output is the interrupt grant signal. The simultaneous assertion of CFGINTERRUPTRDYN and CFGINTERRUPTN indicates that the integrated block has successfully transmitted the requested interrupt message.
CFGINTERRUPTSTATN	Input	USERCLK2	Configuration Interrupt Status. If the INTERRUPT_STAT_AUTO attribute is set to 0: <ul style="list-style-type: none"> • When this input is asserted, the Interrupt Status bit (bit 3) in the Status register is set. • When this input is deasserted, the Interrupt Status bit (bit 3) in the Status register is unset.

Root Port Specific Ports

Table D-9 defines the Root Port Specific ports within the Configuration Management interface.

Table D-9: Root Port Specific Port Descriptions

Port	Direction	Clock Domain	Description
CFGDSBUSNUMBER[7:0]	Input	USERCLK	Configuration Downstream Bus Number. This 8-bit input provides the bus number portion of the Requester ID (RID) of the Root Port, which is used in TLPs generated inside the integrated block, such as UR Completions and Power-Management messages. It does not affect TLPs presented on the TRN interface. Tie-off to 0 for Endpoints.
CFGDSDEVICENUMBER[4:0]	Input	USERCLK	Configuration Downstream Device Number. This 5-bit input provides the device number portion of the RID of the Root Port, which is used in TLPs generated inside the integrated block, such as UR Completions and Power-Management messages. It does not affect TLPs presented on the TRN interface. Tie-off to 0 for Endpoints.

Table D-9: Root Port Specific Port Descriptions (Cont'd)

Port	Direction	Clock Domain	Description
CFGDSFUNCTIONNUMBER[2:0]	Input	USERCLK	Configuration Downstream Function Number. This 3-bit input provides the function number portion of the RID of the Root Port. This is used in TLPs generated inside the integrated block, such as UR Completions and Power-Management messages. It does not affect TLPs presented on the TRN interface. Tie-off to 0 for Endpoints.
CFGPORTNUMBER[7:0]	Input	USERCLK	Configuration Root Port Number. This 8-bit input provides the port number field in the Link Capabilities Register. Tie-off to 0 for Endpoints.

Received Message TLP Status Ports

Table D-10 defines the Received Message TLP Status ports within the Configuration Management interface.

Table D-10: Received Message TLP Status Port Descriptions

Port	Direction	Clock Domain	Description
CFGMSGDATA[15:0]	Output	USERCLK	Message RID/Set Slot Data/Bus, Device, Function Number. Endpoint: <ul style="list-style-type: none"> If CFGMSGRECEIVED = 0, this output has the captured Bus/Device/Function Number of an Endpoint. If CFGMSGRECEIVED = 1 & CFGMSGRECEIVEDSETSLOT POWERLIMIT = 1, this output has the Power Value and Scale fields. If CFGMSGRECEIVED = 1 & CFGMSGRECEIVEDSETSLOT POWERLIMIT = 0, this output has the RID of the message. Root Port: <ul style="list-style-type: none"> If any CFGMSGRECEIVED* signal pulses, this output has the RID of the message. Otherwise, this output is undefined.
CFGMSGRECEIVED	Output	USERCLK	Configuration Received a Decodable Message. This output is only asserted if a message was received on the link. It is not asserted if an upstream-moving message was generated internally by a Root Port (although the appropriate CFGMSGRECEIVEDERR* signal is asserted).
CFGMSGRECEIVEDASSERTINTA	Output	USERCLK	This output pulses once for every Assert INTA Message received on the link. The Requester ID of the message appears on cfg_msg_data. Not used for Endpoints.
CFGMSGRECEIVEDASSERTINTB	Output	USERCLK	This output pulses once for every Assert INTB Message received on the link. The Requester ID of the message appears on cfg_msg_data. Not used for Endpoints.
CFGMSGRECEIVEDASSERTINTC	Output	USERCLK	This output pulses once for every Assert INTC Message received on the link. The Requester ID of the message appears on cfg_msg_data. Not used for Endpoints.

Table D-10: Received Message TLP Status Port Descriptions (Cont'd)

Port	Direction	Clock Domain	Description
CFGMSGRECEIVEDASSERTINTD	Output	USERCLK	This output pulses once for every Assert INTD Message received on the link. The Requester ID of the message appears on cfg_msg_data. Not used for Endpoints.
CFGMSGRECEIVEDDEASSERTINTA	Output	USERCLK	This output pulses once for every Deassert INTA Message received on the link. The Requester ID of the message appears on cfg_msg_data. Not used for Endpoints.
CFGMSGRECEIVEDDEASSERTINTB	Output	USERCLK	This output pulses once for every Deassert INTB Message received on the link. The Requester ID of the message appears on cfg_msg_data. Not used for Endpoints.
CFGMSGRECEIVEDDEASSERTINTC	Output	USERCLK	This output pulses once for every Deassert INTC Message received on the link. The Requester ID of the message appears on cfg_msg_data. Not used for Endpoints.
CFGMSGRECEIVEDDEASSERTINTD	Output	USERCLK	This output pulses once for every Deassert INTD Message received on the link. The Requester ID of the message appears on cfg_msg_data. Not used for Endpoints.
CFGMSGRECEIVEDERRCOR	Output	USERCLK	This output pulses once for every Correctable Error Message received on the link or generated internally by the Root Port (with the intent of having the backend logic compose a message upstream). The RID of the message appears on cfg_msg_data. Not used for Endpoints.
CFGMSGRECEIVEDERRFATAL	Output	USERCLK	This output pulses once for every Fatal Error Message received on the link or generated internally by a Downstream core (with the intent of having the backend logic compose a message upstream). The RID of the message appears on cfg_msg_data. Not used for Endpoints.

Table D-10: Received Message TLP Status Port Descriptions (Cont'd)

Port	Direction	Clock Domain	Description
CFGMSGRECEIVEDERRNONFATAL	Output	USERCLK	This output pulses once for every Non-Fatal Error Message received on the link or generated internally by a Downstream core (with the intent of having the backend logic compose a message upstream). The RID of the message appears on <code>cfg_msg_data</code> . Not used for Endpoints.
CFGMSGRECEIVEDPMASNAK	Output	USERCLK	Received Power Management Active-State NAK Message. This output pulses once for every PM AS NAK Message received on the link. The RID of the message appears on <code>CFGMSGDATA</code> .
CFGMSGRECEIVEDPMETO	Output	USERCLK	Received PM Turn Off Message. This output pulses once for every PM Turn Off Message received on the link. The RID of the message appears on <code>CFGMSGDATA</code> .
CFGMSGRECEIVEDPMETOACK	Output	USERCLK	This output pulses once for every PM Turn Off Ack Message received on the link. The RID of the message appears on <code>cfg_msg_data</code> . Not used for Endpoints.
CFGMSGRECEIVEDPMPME	Output	USERCLK	This output pulses once for every Power Management Event Message received on the link. The RID of the message appears on <code>cfg_msg_data</code> . Not used for Endpoint.
CFGMSGRECEIVEDSETSLOTPOWERLIMIT	Output	USERCLK	Received Set Slot Power Limit Message. This output pulses once for every Set Slot Power Limit Message received on the link. The data of this message (Value, Scale) appears on <code>CFGMSGDATA</code> .
CFGMSGRECEIVEDUNLOCK	Output	USERCLK	Received Unlock Message. This output pulses once for every Unlock Message received on the link. The RID of the message appears on <code>CFGMSGDATA</code> .

Power Management Ports

Table D-11 defines the Power Management ports within the Configuration Management interface.

Table D-11: Power Management Port Descriptions

Port	Direction	Clock Domain	Description
CFGPMCSRPMEEEN	Output	USERCLK2	PMCSR PME_En. This output sets the PME_En bit (bit 08) in the PMCSR register.
CFGPMCSRPMESTATUS	Output	USERCLK2	PMCSR PME_Status. This output sets the PME_Status bit (bit 15) in the PMCSR register.
CFGPMCSRPOWERSTATE	Output	USERCLK2	<p>PMCSR PowerState[1:0]. This two-bit output determines the current power state of the port function. The encoding of this output is:</p> <ul style="list-style-type: none"> • 00b: D0 • 01b: D1 • 10b: D2 • 11b: D3hot <p>This output corresponds to the PowerState bits [01:00] of the PMCSR register.</p>
CFGPMFORCESTATE	Input	USERCLK2	<p>Force PM State. When used in conjunction with CFGPMFORCEENN, this input compels the Power Management State Machine (PMSM) to attempt to stay in or move toward the desired state. Drive the following value on this bus to indicate the state:</p> <ul style="list-style-type: none"> • 00b: Move to or stay in L0 (or L0s/ASPM L1 if enabled) • 01b: Move to or stay in PPM L1 • 10b: Move to or stay in ASPM L0s (only sampled if in ASPM or L0) • 11b: Move to or stay in ASPM L1 (only sampled if in ASPM or L0)
CFGPMFORCESTATEENN	Input	USERCLK2	<p>Force PM State Transition Enable (active-Low). When used in conjunction with CFGPMFORCESTATE, this input forces the PM SM to attempt to stay in or move toward the desired state. If the core attempts to move to a desired state, this input must be held asserted until CFGPCIELINKSTATE indicates the core is moving to that state.</p>

Table D-11: Power Management Port Descriptions (Cont'd)

Port	Direction	Clock Domain	Description
CFGPMHALTASPML0SN	Input	USERCLK2	Halt ASPM L0s (active-Low). When asserted, this input forces the core to avoid the ASPM L0s state. If the core is already in the L0s state when this input is asserted, the core returns to the L0 state. If CFGPMFORCESTATE indicates the core should go to the L0s state, it overrides this signal.
CFGPMHALTASPML1N	Input	USERCLK2	Halt ASPM L1 (active-Low). <ul style="list-style-type: none"> • Endpoint When asserted, this input forces the Endpoint core to avoid the ASPM L1 state. If the core is already in the ASPM L1 state when this input is asserted, the core returns to the L0 state. If CFGPMFORCESTATE indicates the core should go to the ASPM L1 state, it overrides this signal. • Root Port When asserted, this input compels the Root Port core to NAK an ASPM L1 Request, if the link partner requests to go to the ASPM L1 state.⁽¹⁾
CFGPMRCVASREQ1N	Output	USERCLK	Not used.
CFGPMRCVENTERL1N	Output	USERCLK	Not used.
CFGPMRCVENTERL23N	Output	USERCLK	This output pulses for every PM_Enter_L23 DLLP received. PM_Enter_L23 DLLPs are received by a Root Port after it sends a PME_Turn_Off Message. The Root Port automatically responds; no action is required of the user. Not used for Endpoint.
CFGPMRCVREQACKN	Output	USERCLK	Received PMREQUESTACK DLLP (active-Low). When asserted, this output indicates that a PMREQUESTACK DLLP has been received by an Endpoint after it sends a PMENTERL1, a PMENTERL23, or a PM AS Req L1. The integrated block automatically responds; no action is required of the user.

Table D-11: Power Management Port Descriptions (Cont'd)

Port	Direction	Clock Domain	Description
CFGPMSENDPMETON	Input	USERCLK	Asserting this active-Low input causes the Root Port to send Turn Off Message. When the link partner responds with a Turn Off Ack, this will be reported on CFGMSGRECEIVEDPMETOACK, and the final transition to L3 Ready will be reported on cfg_pcie_link_state. Tie-off to 1 for Endpoint.
CFGPMTURNOFFOKN	Input	USERCLK	Configuration Turn off OK, PPM L3 (active-Low). The user application can assert the active-Low power turn-off ready signal to notify the Endpoint that it is safe for power to be turned off. This input is sampled during or after the cycle in which CFGMSGRECEIVEDPMETO pulses.
CFGPMWAKEN	Input	USERCLK	Send PMPME Message (active-Low). A one-clock cycle assertion of this input signals the integrated block to send a Power Management Wake Event (PMPME) Message TLP to the upstream link partner.

Notes:

1. ASPM L1 is unsupported in the 7 series FPGAs Integrated Block for PCI Express.

Received Configuration TLP Status Ports

Table D-12 defines the Received Configuration TLP Status ports within the Configuration Management interface.

Table D-12: Received Configuration TLP Status Port Descriptions (Configuration Management Interface)

Port	Direction	Clock Domain	Description
CFGTRANSACTION	Output	USERCLK	Configuration Transaction Received. This output pulses when a valid Config read or write is received in the range of 0 - 7Fh (DWORD# 0 to 127).

Table D-12: Received Configuration TLP Status Port Descriptions (Configuration Management Interface)

Port	Direction	Clock Domain	Description
CFGTRANSACTIONADDR[6:0]	Output	USERCLK	Configuration Transaction Address. This 7-bit output contains the DWORD offset that was addressed (0 - 7Fh). This output is valid only when CFGTRANSACTION pulses.
CFGTRANSACTIONTYPE	Output	USERCLK	Configuration Transaction Type. This output indicates the type of Configuration transaction when CFGTRANSACTION pulses: <ul style="list-style-type: none"> • 0: Read • 1: Write

Configuration-Specific Register Ports

Table D-13 defines the Configuration-Specific Register ports within the Configuration Management interface. These ports directly mirror the contents of commonly used registers located within the PCI Express Configuration Space.

Table D-13: Configuration-Specific Register Port Descriptions

Port	Direction	Clock Domain	Description
CFGAERROOTERRFATALRERRRECEIVED	Output	USERCLK2	Configuration AER, Fatal Error Messages Received. This output indicates that an ERR_FATAL Message was received.
CFGAERROOTERRFATALERRREPORTINGEN	Output	USERCLK2	Configuration AER, Fatal Error Reporting Enable. This register bit enables the user logic to generate interrupts for reported Fatal Errors.
CFGAERROOTERRNONFATALRERRRECEIVED	Output	USERCLK2	Configuration AER, Non-Fatal Error Messages Received. AER_Root_Error_Status[5]. This register bit indicates that an ERR_NFE Message was received.
CFGAERROOTERRNONFATALERRREPORTINGEN	Output	USERCLK2	Configuration AER, Non-Fatal Error Reporting Enable. This register bit enables the user logic to generate interrupts for reported Non-Fatal Errors.
CFGAERINTERRUPTMSGNUM[4:0]	Input	USERCLK2	Configuration AER, Interrupt Message Number. This input drives the value on AER Root Error Status Register[31:27] (Interrupt Message Number).

Table D-13: Configuration-Specific Register Port Descriptions (Cont'd)

Port	Direction	Clock Domain	Description
CFGBRIDGESERREN	Output	USERCLK2	Configuration Bridge Control, SERR Enable. Bridge Ctrl[1]. When asserted, this bit enables the forwarding of Correctable, Non-fatal, and Fatal errors.
CFGCOMMANDBUSMASTERENABLE	Output	USERCLK	Configuration Command, Bus Master Enable, Command[2]. The integrated block takes no action based on this setting; the user logic must. Endpoints: When this output is asserted, the user logic is allowed to issue Memory or I/O Requests (including MSI/X interrupts); otherwise, the user logic must not issue those requests. Root Ports: When this output is asserted, received Memory or I/O Requests can be forwarded upstream; otherwise these requests must be handled as URs. For Non-Posted Requests, a Completion with UR completion status must be returned.
CFGCOMMANDINTERRUPTDISABLE	Output	USERCLK	Configuration Command, Interrupt Disable, Command[10]. When this output is asserted, the integrated block is prevented from asserting INTx interrupts.
CFGCOMMANDIOENABLE	Output	USERCLK	Configuration Command, I/O Space Enable, Command[0]. • Endpoints: 0: The integrated block filters these accesses and responds with a UR. 1: Allows the device to receive I/O Space accesses. • Root Ports: 0: The user logic must not generate TLPs downstream. 1: The integrated block takes no action based on this setting.

Table D-13: Configuration-Specific Register Port Descriptions (Cont'd)

Port	Direction	Clock Domain	Description
CFGCOMMANDMEMENABLE	Output	USERCLK	Configuration Command, Memory Space Enable, Command[1]. <ul style="list-style-type: none"> • Endpoints: <ul style="list-style-type: none"> 0: The integrated block filters these accesses and responds with a UR. 1: Allows the device to receive Memory Space accesses. • Root Ports: <ul style="list-style-type: none"> 0: The user logic must not generate TLPs downstream. 1: The integrated block takes no action based on this setting.
CFGCOMMANDSERREN	Output	USERCLK	Configuration Command, SERR Enable (active-Low), Command[8]. When this output is asserted, reporting of Non-fatal and Fatal errors is enabled. If enabled, errors are reported either through this bit or through the PCI Express specific bits in the Device Control Register. In addition, for a Root Port application, this bit controls transmission by the primary interface of ERRNONFATAL and ERRFATAL Error messages forwarded from the secondary interface.
CFGDEVCONTROL2ARIFORWARDEN	Output	USERCLK2	Configuration Device Control 2, ARI Forwarding Enable. When this register bit is set, the Downstream Port disables its traditional Device Number field being zero enforcement when turning a Type 1 Configuration Request into a Type 0 Configuration Request. This permits access to Extended Functions in an ARI Device immediately below the Port. The default for this bit is 0b. It must be hardwired to 0b if the ARI Forwarding Supported bit is 0b.

Table D-13: Configuration-Specific Register Port Descriptions (Cont'd)

Port	Direction	Clock Domain	Description
CFGDEVCONTROL2ATOMICEGRESSBLOCK	Output	USERCLK2	Configuration Device Control 2, Atomic Egress Blocking. When this register bit is set, AtomicOp Requests that target going out this Egress Port must be blocked. The default value of this bit is 0b.
CFGDEVCONTROL2ATOMICREQUESTEREN	Output	USERCLK2	Configuration Device Control 2, Atomic Requester Enable. The Function is allowed to initiate AtomicOp Requests only if this bit and the Bus Master Enable bit in the Command register are both set. This bit is required to be RW if the Endpoint or Root Port can initiate AtomicOp Requests; otherwise it can be hardwired to 0b. This bit does not serve as a capability bit. This bit is permitted to be RW even if no AtomicOp Requester capabilities are supported by the Endpoint or Root Port. The default value of this bit is 0b.
CFGDEVCONTROL2CPLTIMEOUTDIS	Output	USERCLK	Configuration Device Control 2, Completion Timeout Disable, DEVICCTRL2[4]. When asserted, this output should cause the user to disable the Completion Timeout counters.
CFGDEVCONTROL2CPLTIMEOUTVAL[3:0]	Output	USERCLK	Configuration Device Control 2, Completion Timeout Value, DEVICCTRL2[3:0]. This 4-bit output is the time range that the user logic should consider a Request's pending Completion as a Completion Timeout. The integrated block takes no action based on this setting. <ul style="list-style-type: none"> • 0000b: 50 μs to 50 ms (default) • 0001b: 50 μs to 100 μs • 0010b: 1 ms to 10 ms • 0101b: 16 ms to 55 ms • 0110b: 65 ms to 210 ms • 1001b: 260 ms to 900 ms • 1010b: 1 s to 3.5 s • 1101b: 4 s to 13 s • 1110b: 17 s to 64 s

Table D-13: Configuration-Specific Register Port Descriptions (Cont'd)

Port	Direction	Clock Domain	Description
CFGDEVCONTROL2IDOCPLEN	Output	USERCLK2	Configuration Device Control 2, IDO Completion Enable. If this register bit is set, the Function is permitted to set the ID-Based Ordering (IDO) bit. A Function can hardwire this bit to 0b if it never sets the IDO attribute in Requests. The default value of this bit is 0b.
CFGDEVCONTROL2IDOREQEN	Output	USERCLK2	Configuration Device Control 2, IDO Request Enable. If this register bit is set, the Function can set the IDO bit of Requests it initiates. A Function can hardwire this bit to 0b if it never sets the IDO attribute in Requests. The default value of this bit is 0b.
CFGDEVCONTROL2LTREN	Output	USERCLK2	Configuration Device Control 2, LTR Mechanism Enable. If this register bit is set, the Function can set the IDO bit. A Function can hardwire this bit to 0b if it never sets the IDO attribute in Requests. The default value of this bit is 0b.
CFGDEVCONTROL2TLPPREFIXBLOCK	Output	USERCLK2	Configuration Device Control 2, End-to-End TLP Prefix Blocking. Controls whether the routing function is permitted to forward TLPs containing an End-to-End TLP Prefix. Values are: <ul style="list-style-type: none"> • 0b: Forwarding Enabled. The Function can send TLPs with End-to-End TLP Prefixes. • 1b: Forwarding Blocked. The Function is not permitted to send TLPs with End-to-End TLP Prefixes. Blocked TLPs are reported by the TLP Prefix Blocked Error. The default value for this bit is 0b.
CFGDEVCONTROL2LAUXPOWEREN	Output	USERCLK	Not used.

Table D-13: Configuration-Specific Register Port Descriptions (Cont'd)

Port	Direction	Clock Domain	Description
CFGDEVCONTROLCORRERRREPORTINGEN	Output	USERCLK	Configuration Device Control, Correctable Error Reporting Enable, DEVICCTRL[0]. This bit, in conjunction with other bits, controls sending ERRCOR messages. For a Root Port, the reporting of correctable errors is internal to the root; no external ERRCOR message is generated.
CFGDEVCONTROLENABLERO	Output	USERCLK	Configuration Device Control, Enable Relaxed Ordering, DEVICCTRL[4]. When this output is asserted, the user logic is permitted to set the Relaxed Ordering bit in the Attributes field of transactions it initiates that do not require strong write ordering.
CFGDEVCONTROLEXTTAGEN	Output	USERCLK	Configuration Device Control, Tag Field Enable, DEVICCTRL[8]. When this output is asserted, the user logic can use an 8-bit Tag field as a Requester. When this output is deasserted, the user logic is restricted to a 5-bit Tag field. The integrated block does not enforce the number of Tag bits used, either in outgoing request TLPs or incoming Completions.
CFGDEVCONTROLFATALERRREPORTINGEN	Output	USERCLK	Configuration Device Control, Fatal Error Reporting Enable, DEVICCTRL[2]. This bit, in conjunction with other bits, controls sending ERRFATAL messages. For a Root Port, the reporting of correctable errors is internal to the root; no external ERRFATAL message is generated.

Table D-13: Configuration-Specific Register Port Descriptions (Cont'd)

Port	Direction	Clock Domain	Description
CFGDEVCONTROLMAXPAYLOAD[2:0]	Output	USERCLK	Configuration Device Control, MAXPAYLOADSIZE, DEVICECTRL[7:5]. This field sets the maximum TLP payload size. As a Receiver, the user logic must handle TLPs as large as the set value. As a Transmitter, the user logic must not generate TLPs exceeding the set value. <ul style="list-style-type: none"> • 000b: 128-byte maximum payload size • 001b: 256-byte maximum payload size • 010b: 512-byte maximum payload size • 011b: 1024-byte maximum payload size
CFGDEVCONTROLMAXREADREQ[2:0]	Output	USERCLK	Configuration Device Control, MAXREADREQUESTSIZE, DEVICECTRL[14:12]. This field sets the maximum Read Request size for the user logic as a Requester. The user logic must not generate Read Requests with size exceeding the set value. <ul style="list-style-type: none"> • 000b: 128-byte maximum Read Request size • 001b: 256-byte maximum Read Request size • 010b: 512-byte maximum Read Request size • 011b: 1024-byte maximum Read Request size • 100b: 2048-byte maximum Read Request size • 101b: 4096-byte maximum Read Request size
CFGDEVCONTROLNONFATALREPORTINGEN	Output	USERCLK	Configuration Device Control, Non-Fatal Error Reporting Enable, DEVICECTRL[1]. This bit, in conjunction with other bits, controls sending ERRNONFATAL messages. For a Root Port, the reporting of correctable errors is internal to the root; no external ERRNONFATAL message is generated.

Table D-13: Configuration-Specific Register Port Descriptions (Cont'd)

Port	Direction	Clock Domain	Description
CFGDEVCONTROLNOSNOOPEN	Output	USERCLK	Configuration Device Control, Enable No Snoop, DEVICESCTRL[11]. When this output is asserted, the user logic is permitted to set the No Snoop bit in TLPs it initiates that do not require hardware-enforced cache coherency.
CFGDEVCONTROLPHANTOMEN	Output	USERCLK	Configuration Device Control, Phantom Functions Enable, DEVICESCTRL[9]. When this output is asserted, the user logic can use unclaimed Functions as Phantom Functions to extend the number of outstanding transaction identifiers. If this output is deasserted, the user logic is not allowed to use Phantom Functions.
CFGDEVCONTROLURERRRREPORTINGEN	Output	USERCLK	Configuration Device Control, UR Reporting Enable, DEVICESCTRL[3]. This bit, in conjunction with other bits, controls the signaling of URs by sending Error messages.
CFGDEVSTATUSCORRERRRDETECTED	Output	USERCLK	Configuration Device Status, Correctable Error Detected, DEVICESTATUS[0]. This output indicates the status of correctable errors detected. Errors are logged in this register regardless of whether error reporting is enabled or not in the Device Control Register.
CFGDEVSTATUSFATALERRRDETECTED	Output	USERCLK	Configuration Device Status, Fatal Error Detected, DEVICESTATUS[2]. This output indicates the status of Fatal errors detected. Errors are logged in this register regardless of whether error reporting is enabled or not in the Device Control Register.

Table D-13: Configuration-Specific Register Port Descriptions (Cont'd)

Port	Direction	Clock Domain	Description
CFGDEVSTATUSNONFATALERRDETECTED	Output	USERCLK	Configuration Device Status, Non-Fatal Error Detected, DEVICESTATUS[1]. This output indicates the status of Non-fatal errors detected. Errors are logged in this register regardless of whether error reporting is enabled or not in the Device Control Register.
CFGDEVSTATUSURDETECTED	Output	USERCLK	Configuration Device Status, Unsupported Request Detected, DEVICESTATUS[3]. This output indicates that the integrated block received a UR. Errors are logged in this register regardless of whether error reporting is enabled or not in the Device Control Register.
CFGLINKCONTROLASPMCONTROL[1:0]	Output	USERCLK	Configuration Link Control, ASPM Control, LINKCTRL[1:0]. This 2-bit output indicates the level of ASPM supported, where: <ul style="list-style-type: none"> • 00b: Disabled • 01b: L0s Entry Enabled • 10b: Not used • 11b: Not used
CFGLINKCONTROLAUTOBANDWIDTHINTEN	Output	USERCLK	Configuration Link Control, Link Autonomous Bandwidth Interrupt Enable, LINKCTRL[11]. When asserted active-Low, this bit enables the generation of an interrupt to indicate that the Link Autonomous Bandwidth Status bit has been set. The core takes no action based on the setting of this bit; user logic must create the interrupt. Not used for Endpoint.

Table D-13: Configuration-Specific Register Port Descriptions (Cont'd)

Port	Direction	Clock Domain	Description
CFGLINKCONTROLBANDWIDTHINTEN	Output	USERCLK	Configuration Link Control, Link Bandwidth Management Interrupt Enable, LINKCTRL[10]. When asserted, active-Low, enables the generation of an interrupt to indicate that the Link Bandwidth Management Status bit has been set. The core will take no action based on the setting of this bit; user logic must create the interrupt. Not used for Endpoint.
CFGLINKCONTROLCLOCKPMEN	Output	USERCLK	Configuration Link Control, Enable Clock Power Management, LINKCTRL[8]. For Endpoints that support a CLKREQ# mechanism: <ul style="list-style-type: none"> • 0b: Clock power management disabled • 1b: The device is permitted to use CLKREQ# The integrated block takes no action based on the setting of this bit; this function must be implemented in external logic.
CFGLINKCONTROLCOMMONCLOCK	Output	USERCLK	Configuration Link Control, Common Clock Configuration, LINKCTRL[6]. When this output is asserted, this component and the component at the opposite end of this Link are operating with a distributed common reference clock. When this output is deasserted, the components are operating with an asynchronous reference clock.
CFGLINKCONTROLEXTENDEDSESYNC	Output	USERCLK	Configuration Link Control, Extended Synch, LINKCTRL[7]. When this output is asserted, the transmission of additional ordered sets is forced when exiting the L0s state and when in the Recovery state.

Table D-13: Configuration-Specific Register Port Descriptions (Cont'd)

Port	Direction	Clock Domain	Description
CFGLINKCONTROLHWAUTOWIDTHDIS	Output	USERCLK	Configuration Link Control, Hardware Autonomous Width Disable, LINKCTRL[9]. When this output is asserted, the integrated block is disabled from changing the Link width for reasons other than attempting to correct an unreliable Link operation by reducing the Link width.
CFGLINKCONTROLLINKDISABLE	Output	USERCLK	Configuration Link Control, Link Disable, LINKCTRL[4]. When this output is asserted, indicates the Link is disabled and directs the LTSSM to the Disabled state. Not used for Endpoint.
CFGLINKCONTROLRCB	Output	USERCLK	Configuration Link Control, RCB, LINKCTRL[3]. This output indicates the Read Completion Boundary value, where: <ul style="list-style-type: none"> • 0: 64B • 1: 128B
CFGLINKCONTROLRETRAINLINK	Output	USERCLK	Configuration Link Control, Retrain Link, LINKCTRL[5]. A write of 1b to this bit to the Root Port Type 1 configuration space initiates Link retraining by directing the Physical Layer LTSSM to the Recovery state. Configuration Reads of this bit are always 0, but this signal pulses for one cycle when a 1 is written to it. Not used for Endpoint.
CFGLINKSTATUSAUTOBANDWIDTHSTATUS	Output	USERCLK	Configuration Link Status, Link Autonomous Bandwidth Status, LINKSTATUS[15]. Indicates the core has autonomously changed Link speed or width, without the Port transitioning through DL_Down status, for reasons other than to attempt to correct unreliable Link operation. This bit must be set if the Physical Layer reports a speed or width change was initiated by the Downstream component that was indicated as an autonomous change. Not used for Endpoint.

Table D-13: Configuration-Specific Register Port Descriptions (Cont'd)

Port	Direction	Clock Domain	Description
CFGLINKSTATUSBANDWIDTHSTATUS	Output	USERCLK	Configuration Link Status, Link Bandwidth Management Status, LINKSTATUS[14]. This output indicates that either of the following has occurred without the Port transitioning through DL_Down status: <ul style="list-style-type: none"> A Link retraining has completed following a write of 1b to the Retrain Link bit. Note: This bit is Set following any write of 1b to the Retrain Link bit, including when the Link is in the process of retraining for some other reason. Hardware has changed Link speed or width to attempt to correct unreliable Link operation, either through an LTSSM timeout or a higher level process. This bit is set if the Physical Layer reports a speed or width change was initiated by the Downstream component that was not indicated as an autonomous change. Not used for Endpoint.
CFGLINKSTATUSCURRENTSPEED[1:0]	Output	USERCLK	Configuration Link Status, Current Link Speed, LINKSTATUS[1:0]. This field indicates the negotiated Link speed of the given PCI Express Link: <ul style="list-style-type: none"> 01b: 2.5 GB/s PCI Express Link 10b: 5.0 GB/s PCI Express Link
CFGLINKSTATUSDLLACTIVE	Output	USERCLK	Not used.
CFGLINKSTATUSLINKTRAINING	Output	USERCLK	Not used.

Table D-13: Configuration-Specific Register Port Descriptions (Cont'd)

Port	Direction	Clock Domain	Description
CFGLINKSTATUSNEGOTIATEDWIDTH[3:0]	Output	USERCLK	Configuration Link Status, Negotiated Link Width, LINKSTATUS[7:4]. This output indicates the negotiated width of the given PCI Express Link (only widths up to x8 are displayed). <ul style="list-style-type: none"> • 0001b: x1 • 0010b: x2 • 0100b: x4 • 1000b: x8
CFGROOTCONTROLPMEINTEN	Output	USERCLK2	Configuration Root Control, PME Interrupt Enable. This register bit enables the user logic to generate an Interrupt for received PME Messages.
CFGROOTCONTROLSYSERRCORRERREN	Output	USERCLK2	Configuration Root Control, System Error on Correctable Error Enable. This register bit enables the user logic to generate a System Error for reported Correctable Errors.
CFGROOTCONTROLSYSERRFATALERREN	Output	USERCLK2	Configuration Root Control, System Error on Fatal Error Enable. This register bit enables the user logic to generate a System Error for reported Fatal Errors.
CFGROOTCONTROLSYSERRNONFATALERREN	Output	USERCLK2	Configuration Root Control, System Error on Non-Fatal Error Enable. This register bit enables the user logic to generate a System Error for reported Non-Fatal Errors.
CFGSLOTCONTROLELECTROMECHILCTLPULSE	Output	USERCLK	Not used.
CFGTRNPENDINGN	Input	USERCLK	User Transaction Pending (active-Low). When asserted, this input sets the Transactions Pending bit in the Device Status Register (DEVICESTATUS[5]). <p>Note: You must assert this input if the User Application has not received a completion to a request.</p>

Miscellaneous Configuration Management Ports

Table D-14 defines the Miscellaneous Configuration Management ports within the Configuration Management interface.

Table D-14: Miscellaneous Configuration Management Port Descriptions

Port	Direction	Clock Domain	Description
CFGAERECRCHECKEN	Output	USERCLK	Not used.
CFGAERECRCGENEN	Output	USERCLK	Not used.
CFGDEVID[15:0]	Input	USERCLK2	Configuration Device ID. This input indicates the value to transfer to the PCI Capability Structure Device ID field.
CFGDSN[63:0]	Input	USERCLK	Configuration Device Serial Number. This 64-bit input indicates the value that should be transferred to the Device Serial Number Capability. Bits [31:0] are transferred to the first (Lower) DWORD (byte offset 0x4 of the Capability), and bits [63:32] are transferred to the second (Upper) DWORD (byte offset 0x8 of the Capability).
CFGFORCECOMMONCLOCKOFF	Input	USERCLK2	Force Common Clock Off. When asserted, this input forces the core to behave as if Common Clock was on (but does not set Link Ctrl[7]).
CFGFORCEEXTENDED SYNCON	Input	USERCLK2	Force Extended Synch On. When asserted, this input forces the core to behave as if Extended Synch was on (but does not set Link Ctrl[7]).
CFGFORCEMPS[2:0]	Input	USERCLK2	Force Maximum Payload Size. When ATTR_MPS_FORCE = 1, the core uses this MPS value to check the payload size of received TLPs and for replay/ACKNAK time-outs, instead of using Device Ctrl[7:5]. It does not change Device Ctrl[7:5].
CFGPCIECAPINTERRUPTMSGNUM[4:0]	Input	USERCLK2	Configuration PCIe Capabilities, Interrupt Message Number. This input drives the value on PCIe Capabilities Register[29:25] (Interrupt Message Number).

Table D-14: Miscellaneous Configuration Management Port Descriptions (Cont'd)

Port	Direction	Clock Domain	Description
CFGPCIELINKSTATE[2:0]	Output	USERCLK	PCI Express Link State. This encoded bus reports the PCIe Link State Information to the user: <ul style="list-style-type: none"> • 000b: L0 state • 001b: PPM L1 state • 010b: PPM L2/L3Ready state • 011b: PMPME state • 100b: In or transitioning to/ from the ASPM L0s state • 101b: Transitioning to/from the PPM L1 state • 110b: Transitioning to the PPM L2/L3Ready state • 111b: In or transitioning to/ from the ASPM L1 state
CFGREVID[7:0]	Input	USERCLK2	Configuration Revision ID. This input indicates the value to transfer to the PCI Capability Structure Revision ID field.
CFGSUBSYSID[15:0]	Input	USERCLK2	Configuration Subsystem ID. This input indicates the value to transfer to the Type 0 PCI Capability Structure Subsystem ID field.
CFGSUBSYSVENDID[15:0]	Input	USERCLK2	Configuration Subsystem Vendor ID. This input indicates the value to transfer to the Type 0 PCI Capability Structure Subsystem Vendor ID field.
CFGCFGVCTCVCMAP[6:0]	Output	USERCLK2	Configuration VC Resource Control, TC/VC Map. VC_Resource_Ctrl[7:1]. This output indicates whether TCs 1–7 are valid for VC0. The signal's index is shifted by one with respect to the register index (for example, <code>cfg_vc_tcvc_map[0] = VC_Resource_Ctrl[1]</code>).
CFGVENDID[15:0]	Input	USERCLK2	Configuration Device ID. This input indicates the value to transfer to the PCI Capability Structure Vendor ID field.

Dynamic Reconfiguration Port Interface

Table D-15 describes the Dynamic Reconfiguration Port (DRP) ports.

Table D-15: DRP Port Descriptions

Port	Direction	Clock Domain	Description
DRPCLK	Input		DRP clock input
DRPADDR[8:0]	Input	DRPCLK	DRP address bus
DRPDI[15:0]	Input	DRPCLK	DRP input data bus
DRPDO[15:0]	Output	DRPCLK	DRP data out
DRPEN	Input	DRPCLK	DRP transaction enable
DRPRDY	Output	DRPCLK	DRP transaction done
DRPWE	Input	DRPCLK	DRP write enable

Debug Interface Ports

Table D-16 describes the Debug Interface ports.

Table D-16: Debug Interface Port Descriptions

Port	Direction	Clock Domain	Description
DBGMODE[1:0]	Input	USERCLK	Debug Mode
DBGSCLRA	Output	USERCLK	Debug Scalar
DBGSCLRB	Output	USERCLK	Debug Scalar
DBGSCLRC	Output	USERCLK	Debug Scalar
DBGSCLRD	Output	USERCLK	Debug Scalar
DBGSCLRE	Output	USERCLK	Debug Scalar
DBGSCLRF	Output	USERCLK	Debug Scalar
DBGSCLRG	Output	USERCLK	Debug Scalar
DBGSCLRH	Output	USERCLK	Debug Scalar
DBGSCLRI	Output	USERCLK	Debug Scalar
DBGSCLRJ	Output	USERCLK	Debug Scalar
DBGSCLRK	Output	USERCLK	Debug Scalar
DBGSUBMODE	Input	USERCLK	Debug Sub Mode
DBGVECA[63:0]	Output	USERCLK	Debug Vector
DBGVECB[63:0]	Output	USERCLK	Debug Vector
DBGVECC[11:0]	Output	USERCLK	Debug Vector

Table D-16: Debug Interface Port Descriptions (Cont'd)

Port	Direction	Clock Domain	Description
PLDBGMODE[2:0]	Input	PIPECLK	PL Debug Mode
PLDBGVEC[11:0]	Output	PIPECLK	PL Debug Vector

TL2 Interface Ports

The TL2 interface is unused but documented for completeness (see [Table D-17](#)).

Table D-17: TL2 Interface Port Descriptions

Port	Direction	Clock Domain	Description
LL2BADDLLPERR	Output	USERCLK	Not used.
LL2BADTLPERR	Output	USERCLK	Not used.
LL2LINKSTATUS	Output	USERCLK2	Not used.
LL2PROTOCOLERR	Output	USERCLK	Not used.
LL2RECEIVERERR	Output	USERCLK2	Not used.
LL2REPLAYROERR	Output	USERCLK	Not used.
LL2REPLAYTOERR	Output	USERCLK	Not used.
LL2SENDASREQ1	Input	USERCLK	Tie-off to 0.
LL2SENDENTERL1	Input	USERCLK	Tie-off to 0.
LL2SENDENTERL23	Input	USERCLK	Tie-off to 0.
LL2SENDPMACK	Input	USERCLK2	Tie-off to 0.
LL2SUSPENDNOW	Input	USERCLK	Tie-off to 0.
LL2SUSPENDOK	Output	USERCLK	Not used.
LL2TFCINIT1SEQ	Output	USERCLK	Not used.
LL2TFCINIT2SEQ	Output	USERCLK	Not used.
LL2TLPRCV	Input	USERCLK	Tie-off to 0.
LL2TXIDLE	Output	USERCLK2	Not used.
PL2DIRECTEDLSTATE[4:0]	Input	USERCLK	Tie-off to 0.
PL2L0REQ	Output	USERCLK2	Not used.
PL2LINKUP	Output	USERCLK	Not used.
PL2RECEIVERERR	Output	USERCLK	Not used.
PL2RECOVERY	Output	USERCLK	Not used.
PL2RXELECIDLE	Output	USERCLK	Not used.
PL2RXPMSTATE[1:0]	Output	USERCLK2	Not used.
PL2SUSPENDOK	Output	USERCLK	Not used.

Table D-17: TL2 Interface Port Descriptions (Cont'd)

Port	Direction	Clock Domain	Description
TL2ASPMSUSPENDCREDITCHECK	Input	USERCLK	Tie-off to 0.
TL2ASPMSUSPENDCREDITCHECKOK	Output	USERCLK	Not used.
TL2ASPMSUSPENDREQ	Output	USERCLK	Not used.
TL2ERRFCPE	Output	USERCLK2	Not used.
TL2ERRHDR[63:0]	Output	USERCLK2	Not used.
TL2ERRMALFORMED	Output	USERCLK2	Not used.
TL2ERRRXOVERFLOW	Output	USERCLK2	Not used.
TL2PPMSUSPENDOK	Output	USERCLK	Not used.
TL2PPMSUSPENDREQ	Input	USERCLK	Tie-off to 0.
TRNRDLLPDATA[31:0]	Output	USERCLK	Not used.
TRNRDLLPSRCRDY[1:0]	Output	USERCLK	Not used.
TRNTDLLPDATA[63:0]	Input	USERCLK	Tie-off to 0.
TRNTDLLPDSTRDY	Output	USERCLK	Not used.
TRNTDLLPSRCRDY	Input	USERCLK	Tie-off to 0.

Additional Resources

Xilinx Resources

For support resources such as Answers, Documentation, Downloads, and Forums, see the Xilinx Support website at:

www.xilinx.com/support.

For a glossary of technical terms used in Xilinx documentation, see:

www.xilinx.com/company/terms.htm.

References

This section provides supplemental material useful with this product guide:

1. [AMBA AXI4-Stream Protocol Specification](#)
2. [PCI-SIG® Specifications](#)
3. Intel Developer Forum For [PCI Express Architecture](#)
4. *Virtex-7 FPGA Gen3 Integrated Block for PCI Express Product Guide* ([PG023](#))
5. *Kintex-7 FPGAs Data Sheet: DC and AC Switching Characteristics* ([DS182](#))
6. *Virtex-7 FPGAs Data Sheet: DC and Switching Characteristics* ([DS183](#))
7. *7 Series FPGAs Configuration User Guide* ([UG470](#))
8. *7 Series FPGAs SelectIO Resources User Guide* ([UG471](#))
9. *7 Series FPGAs Clocking Resources User Guide* ([UG472](#))
10. *7 Series FPGAs GTX/GTH Transceivers User Guide* ([UG476](#))
11. [Xilinx Libraries Guides](#)
12. *Xilinx Constraints Guide* ([UG625](#))
13. *Command Line Tools User Guide* ([UG628](#))

14. *Synthesis and Simulation Design Guide* ([UG626](#))

15. *Vivado Design Suite Migration Methodology Guide* ([UG911](#))

Revision History

The following table shows the revision history for this document.

Date	Version	Revision
07/25/12	1.0	Initial Xilinx release. This document includes support for Vivado Design Suite v2012.2 and ISE Design Suite v14.2 for core version 1.6. This document replaces UG477, <i>7 Series FPGAs Integrated Block for PCI Express User Guide</i> and DS821, <i>LogiCORE IP 7 Series FPGAs Integrated Block for PCI Express Data Sheet</i> .
10/16/12	1.1	<ul style="list-style-type: none"> Updated core to v1.7, ISE Design Suite to 14.3, and Vivado Design Suite to 2012.3. Added Zynq-7000 device family support. Removed XC7V1500T, and XC7A350T. Added new sections to Chapter 3. New screenshots and descriptions in Chapter 4. Added Chapter 9 and Chapter 15.
12/18/12	1.2	<ul style="list-style-type: none"> Updated for core v1.8, ISE Design Suite 14.4, and Vivado Design Suite 2012.4. Updated the available integration block for PCIe: Table 2-4 and Table 5-1. Major revisions made to Tandem Configuration in Chapter 3. Updated Chapter 4, Customizing and Generating the Core.

Notice of Disclaimer

The information disclosed to you hereunder (the "Materials") is provided solely for the selection and use of Xilinx products. To the maximum extent permitted by applicable law: (1) Materials are made available "AS IS" and with all faults, Xilinx hereby DISCLAIMS ALL WARRANTIES AND CONDITIONS, EXPRESS, IMPLIED, OR STATUTORY, INCLUDING BUT NOT LIMITED TO WARRANTIES OF MERCHANTABILITY, NON-INFRINGEMENT, OR FITNESS FOR ANY PARTICULAR PURPOSE; and (2) Xilinx shall not be liable (whether in contract or tort, including negligence, or under any other theory of liability) for any loss or damage of any kind or nature related to, arising under, or in connection with, the Materials (including your use of the Materials), including for any direct, indirect, special, incidental, or consequential loss or damage (including loss of data, profits, goodwill, or any type of loss or damage suffered as a result of any action brought by a third party) even if such damage or loss was reasonably foreseeable or Xilinx had been advised of the possibility of the same. Xilinx assumes no obligation to correct any errors contained in the Materials or to notify you of updates to the Materials or to product specifications. You may not reproduce, modify, distribute, or publicly display the Materials without prior written consent. Certain products are subject to the terms and conditions of the Limited Warranties which can be viewed at <http://www.xilinx.com/warranty.htm>; IP cores may be subject to warranty and support terms contained in a license issued to you by Xilinx. Xilinx products are not designed or intended to be fail-safe or for use in any application requiring fail-safe performance; you assume sole risk and liability for use of Xilinx products in Critical Applications: <http://www.xilinx.com/warranty.htm#critapps>.

© Copyright 2012 Xilinx, Inc. Xilinx, the Xilinx logo, Artix, ISE, Kintex, Spartan, Virtex, Vivado, Zynq, and other designated brands included herein are trademarks of Xilinx in the United States and other countries. PCI, PCIe and PCI Express are trademarks of PCI-SIG and used under license. All other trademarks are the property of their respective owners.