

7 Series FPGAs Integrated Block for PCI Express v3.2

LogiCORE IP Product Guide

Vivado Design Suite

PG054 September 30, 2015

Table of Contents

IP Facts

Chapter 1: Overview

Feature Summary	5
Applications	6
Licensing and Ordering Information	6

Chapter 2: Product Specification

Standards Compliance	8
Resource Utilization	9
Minimum Device Requirements	10
Core Interfaces	11
Transaction Interface	14
PCI Configuration Space	39

Chapter 3: Designing with the Core

General Design Guidelines	46
Tandem Configuration	154
Clocking	182
Resets	185
Protocol Layers	186
Shared Logic	188
FPGA Configuration	195

Chapter 4: Design Flow Steps

Customizing and Generating the Core	204
Constraining the Core	240
Simulation	259
Synthesis and Implementation	262

Chapter 5: Detailed Example Designs

Integrated Block Endpoint Configuration Overview	263
Programmed Input/Output: Endpoint Example Design	266

Configurator Example Design	280
Generating the Core.	286
Simulating the Example Design.	289
Synthesizing and Implementing the Example Design	290
Directory and File Contents.	291
 Chapter 6: Test Benches	
Root Port Model Test Bench for Endpoint	301
Endpoint Model Test Bench for Root Port	313
 Appendix A: Migrating and Upgrading	
Migrating to the Vivado Design Suite.	316
Upgrading in the Vivado Design Suite	328
 Appendix B: Debugging	
Finding Help on Xilinx.com	329
Debug Tools	331
Simulation Debug.	334
Hardware Debug	337
 Appendix C: Managing Receive-Buffer Space for Inbound Completions	
General Considerations and Concepts	351
Methods of Managing Completion Space	352
 Appendix D: PCIe_2_1 Port Descriptions	
Clock and Reset Interface	358
Transaction Layer Interface.	359
Block RAM Interface	363
GTX Transceiver Interface	364
Configuration Management Interface	371
Dynamic Reconfiguration Port Interface	395
TL2 Interface Ports	396
 Appendix E: Additional Resources and Legal Notices	
Xilinx Resources	398
References	398
Revision History	399
Please Read: Important Legal Notices	401

Introduction

The 7 Series FPGAs Integrated Block for PCI Express® core is a scalable, high-bandwidth, and reliable serial interconnect building block for use with Xilinx® Zynq®-7000 All Programmable SoC, and 7 series FPGA families. The 7 Series Integrated Block for PCI Express (PCIe®) solution supports 1-lane, 2-lane, 4-lane, and 8-lane Endpoint and Root Port configurations at up to 5 Gb/s (Gen2) speeds, all of which are compliant with the *PCI Express Base Specification, rev. 2.1*. This solution supports the AMBA® AXI4-Stream interface for the customer user interface.

With higher bandwidth per pin, low overhead, low latency, reduced signal integrity issues, and CDR architecture, the 7 Series Integrated Block for PCIe sets the industry standard for a high-performance, cost-efficient, third-generation I/O solution.

Features

- High-performance, highly flexible, scalable, and reliable, general-purpose I/O core
- Incorporates Xilinx Smart-IP technology to guarantee critical timing
- Uses GTXE2 or GTPE2 transceivers for 7 series FPGA families
 - 2.5 GT/s and 5.0 GT/s line speeds
 - Supports 1-lane, 2-lane, 4-lane, and 8-lane operation
 - Elastic buffers and clock compensation
 - Automatic clock data recovery
- Supports Endpoint and Root Port configurations
- 8B/10B encode and decode
- Supports Lane Reversal and Lane Polarity Inversion per PCI Express specification requirements
- Standardized user interface

- Compliant with PCI/PCI Express power management functions, and transaction ordering rules
- Supports a maximum transaction payload of up to 1024 bytes
- Supports Multi-Vector MSI for up to 32 vectors and MSI-X
- Up-configure capability enables application driven bandwidth scalability

LogiCORE IP Facts Table	
Core Specifics	
Supported Device Family ⁽¹⁾	Zynq-7000 All Programmable SoC, Virtex®-7, Kintex®-7, Artix®-7
Supported User Interfaces	AXI4-Stream
Resources	Resource Utilization
Provided with Core	
Design Files	Verilog/VHDL ⁽²⁾ RTL Source and Simulation Models
Example Design	Verilog, VHDL
Test Bench	Verilog, VHDL
Constraints File	XDC
Simulation Model	Verilog, VHDL
Supported S/W Driver	N/A
Tested Design Flows⁽³⁾	
Design Entry	Vivado® Design Suite
Simulation	For a list of supported simulators, see the Xilinx Design Tools: Release Notes Guide
Synthesis	Vivado Synthesis
Support	
Provided by Xilinx at the Xilinx Support web page	

Notes:

1. For a complete listing of supported devices, see the Vivado IP catalog.
2. RTL source for the GTX wrapper is Verilog only. VHDL projects require mixed language mode simulators.
3. For the supported versions of the tools, see the [Xilinx Design Tools: Release Notes Guide](#).

Overview

Xilinx® 7 series FPGAs include three unified FPGA families that are all designed for lowest power to enable a common design to scale across families for optimal power, performance, and cost. The Artix®-7 family is optimized for lowest cost and absolute power for the highest volume applications. The Virtex®-7 family is optimized for highest system performance and capacity. The Kintex®-7 family is an innovative class of FPGAs optimized for the best price to performance. This document describes the function and operation of the 7 Series FPGAs Integrated Block for PCI Express® core, including how to design, customize, and implement it.

The 7 Series FPGAs Integrated Block for PCI Express core is a reliable, high-bandwidth, scalable serial interconnect building block. The core instantiates the 7 Series Integrated Block for PCI Express found in the 7 series FPGAs, and supports both Verilog and VHDL. This core simplifies the design process and reduces time to market. It is configurable for Endpoint and Root Port applications. This solution can be used in communication, multimedia, server and mobile platforms and enables applications such as high-end medical imaging, graphics intensive video games, DVD quality streaming video on the desktop, and 10 Gigabit Ethernet interface cards.

Although the core is a fully verified solution, the challenge associated with implementing a complete design varies depending on the configuration and functionality of the application.



RECOMMENDED: *For the best results, previous experience building high-performance, pipelined FPGA designs using Xilinx implementation software and constraints files is recommended.*

Feature Summary

The 7 Series Integrated Block for PCIe follows the *PCI Express Base Specification, rev. 2.1* [Ref 2] layering model, which consists of the Physical, Data Link, and Transaction Layers. The protocol uses packets to exchange information between layers. Packets are formed in the Transaction and Data Link Layers to carry information from the transmitting component to the receiving component. Necessary information is added to the packet being transmitted, which is required to handle the packet at specific layers.

The functions of the protocol layers include:

- Generating and processing of transaction layer packets (TLPs)
 - Flow-control management
 - Initialization and power management functions
 - Data protection
 - Error checking and retry functions
 - Physical link interface initialization
 - Maintenance and status tracking
 - Serialization, deserialization, and other circuitry for interface operation
-

Applications

The Xilinx 7 series FPGAs Integrated Block for PCI Express architecture enables a broad range of computing and communications target applications, emphasizing performance, cost, scalability, feature extensibility and mission-critical reliability. Typical applications include:

- Data communications networks
 - Telecommunications networks
 - Broadband wired and wireless applications
 - Cross-connects
 - Network interface cards
 - Chip-to-chip and backplane interconnect
 - Crossbar switches
 - Wireless base stations
-

Licensing and Ordering Information

This Xilinx LogiCORE IP module is provided at no additional cost with the Xilinx Vivado® Design Suite under the terms of the [Xilinx End User License](#). Information about this and other Xilinx LogiCORE IP modules is available at the [Xilinx Intellectual Property](#) page. For information about pricing and availability of other Xilinx LogiCORE IP modules and tools, contact your [local Xilinx sales representative](#).

For more information, visit the [7 Series FPGAs Integrated Block for PCI Express product page](#).

Product Specification

The 7 Series FPGAs Integrated Block for PCI Express® contains full support for 2.5 Gb/s and 5.0 Gb/s PCI Express Endpoint and Root Port configurations. For 8.0 Gb/s (Gen3) support, see *Virtex-7 FPGA Gen3 Integrated Block for PCI Express Product Guide (PG023)* [Ref 4] for device support and information on the Virtex®-7 FPGA Gen3 Integrated Block for PCI Express.

Table 2-1 defines the Integrated Block for PCIe® solutions.

Table 2-1: Product Overview

Product Name	User Interface Width	Supported Lane Widths
1-lane at 2.5 Gb/s, 5.0 Gb/s	64	x1
2-lane at 2.5 Gb/s, 5.0 Gb/s	64	x1, x2 ⁽¹⁾
4-lane at 2.5 Gb/s, 5.0 Gb/s	64, 128	x1, x2, x4 ^{(1),(2)}
8-lane at 2.5 Gb/s, 5.0 Gb/s	64, 128	x1, x2, x4, x8 ^{(1),(3)}

Notes:

1. See [Link Training: 2-Lane, 4-Lane, and 8-Lane Components](#), page 141 for additional information.
2. The x4 at 2.5 Gb/s option in the Vivado® IP catalog provides only the 64-bit width interface.
3. x8 at 5.0 Gb/s only available in the 128-bit width interface.

The Xilinx 7 Series FPGAs Integrated Block for PCI Express core internally instantiates the 7 Series FPGAs Integrated Block for PCI Express (PCIE_2_1). The integrated block follows the PCI Express Base Specification layering model, which consists of the Physical, Data Link, and Transaction layers. The integrated block is compliant with the *PCI Express Base Specification, rev. 2.1* [Ref 2].

Figure 2-1 illustrates these interfaces to the 7 Series FPGAs Integrated Block for PCI Express core:

- System (SYS) interface
- PCI Express (PCI_EXP) interface
- Configuration (CFG) interface
- Transaction interface (AXI4-Stream)
- Physical Layer Control and Status (PL) interface

The core uses packets to exchange information between the various modules. Packets are formed in the Transaction and Data Link Layers to carry information from the transmitting component to the receiving component. Necessary information is added to the packet being transmitted, which is required to handle the packet at those layers. At the receiving end, each layer of the receiving element processes the incoming packet, strips the relevant information and forwards the packet to the next layer.

As a result, the received packets are transformed from their Physical Layer representation to their Data Link Layer and Transaction Layer representations.

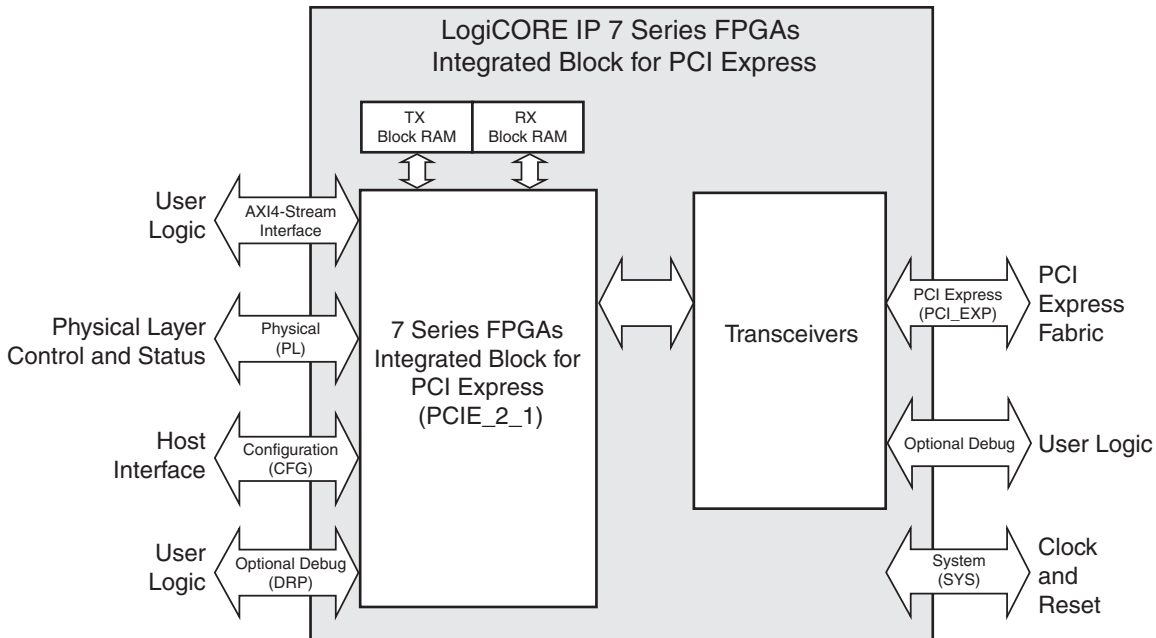


Figure 2-1: Top-Level Functional Blocks and Interfaces

Standards Compliance

The 7 Series FPGAs Integrated Block for PCI Express is compliant with the *PCI Express Base Specification, rev. 2.1* [Ref 2].

The 7 Series Integrated Block for PCI Express solution is compatible with industry-standard application form factors such as the *PCI Express Card Electromechanical (CEM) v2.0* and the *PCI Industrial Computer Manufacturers Group (PICMG) 3.4* specifications [Ref 2].

Resource Utilization

Table 2-2 shows the resources for the core for Vivado® Design Suite implementations.

Table 2-2: Resources Used

Configuration	Interface Width	Lanes	LUT	FF	RX Buffers Size (KB)	TX Buffers Size (KB)	CMPS (Bytes)	Block RAM	MMCMs	Clock Buffers
x1g1	64-bit	1	649	753	4 - 32	4 - 32	128-1024	2 - 16	1	5
x2g1	64-bit	2	1008	1090						
x4g1	64-bit	4	1733	1764						
x8g1	64-bit	8	3268	3608						
x8g1	128-bit	8	3325	3780						
x1g2	64-bit	1	654	807						
x2g2	64-bit	2	1006	1192						
x4g2	64-bit	4	1775	1967						
x4g2	128-bit	4	1867	2139						
x8g2	128-bit	8	3415	3780						

Table 2-3: BUFG Usage of the Standalone PCIe Core

Link Speed (Gb/s)	Lane Width	Interface Width (Bits)	AXI - ST Interface Frequency (MHz)	BUFG Usage (GTX)	BUFG Usage (GTP)
2.5	x1	64	62.5	4/32	4/32
2.5	x1	64	125	3/32	3/32
5	x1	64	125	4/32	4/32
2.5	x2	64	125	3/32	3/32
2.5	x2	64	250	4/32	4/32
5	x2	64	125	4/32	4/32
5	x2	64	250	4/32	4/32
2.5	x4	64	125	3/32	3/32
2.5	x4	64	250	4/32	3/32
5	x4	64	250	4/32	4/32
5	x4	128	125	5/32	5/32
2.5	x8	64	250	4/32	NA
2.5	x8	128	125	4/32	NA
5	x8	128	250	5/32	NA
2.5	x1	64	250	4/32	4/32
5	x1	64	250	4/32	4/32

Minimum Device Requirements

Table 2-4 lists the minimum device requirements for 7 Series Integrated Block for PCIe configurations.

Table 2-4: Core Configurations

		Zynq®-7000 Devices	Virtex®-7 FPGAs			Kintex®-7 FPGAs	Artix®-7 FPGAs ⁽⁵⁾
		ZC7015 ⁽¹⁾ ZC7030 ⁽²⁾ ZC7035 ⁽³⁾ ZC7045 ⁽³⁾ ZC7100 ⁽³⁾	XC7VX485T	XC7V585T	XC7V2000T	XC7K325T XC7K355T XC7K410T XC7K420 XC7K480T XC7K160T ⁽⁴⁾ XC7K70T ⁽⁴⁾	XC7A15T XC7A35T XC7A50T XC7A75T XC7A100T XC7A200T
Number of Integrated Blocks for PCIe (see Table 4-6)		1	4	3	4 ⁽⁶⁾	1	1
Lanes	Gen1 (2.5 Gb/s)	1-4 or 1-8	1-8	1-8	1-8	1-8	1-4
	Gen2 (5.0 Gb/s)	1-4 or 1-8	1-8	1-8	1-8	1-8	1-4
	Gen3 (8.0 Gb/s) ⁽⁷⁾	—	—	—	—	—	—
Speed Grade	x1-x4 Gen1	-1, -2, -3, -2L	-1, -2, -3, -2L	-1, -2, -3, -2L	-1, -2, -2L	-1, -2, -3, -2L	-1, -2, -3, -2L
	x8 Gen1	-1, -2, -3, -2L	-1, -2, -3, -2L	-1, -2, -3, -2L	-1, -2, -2L	-1, -2, -3, -2L	NA
	x1-x4 Gen2	-1, -2, -3, -2L (1V)	-1, -2, -3, -2L (1V)	-1, -2, -3, -2L (1V)	-1, -2, -2L (1V)	-1, -2, -3, -2L (1V)	-2, -3 (1V)
	x8 Gen2	-2, -3, -2L (1V)	-2, -3, -2L (1V)	-2, -3, -2L (1V)	-2, -2L (1V)	-2, -3, -2L (1V)	NA

Table 2-4: Core Configurations (Cont'd)

		Zynq®-7000 Devices	Virtex®-7 FPGAs			Kintex®-7 FPGAs	Artix®-7 FPGAs ⁽⁵⁾
		ZC7015 ⁽¹⁾ ZC7030 ⁽²⁾ ZC7035 ⁽³⁾ ZC7045 ⁽³⁾ ZC7100 ⁽³⁾	XC7VX485T	XC7V585T	XC7V2000T	XC7K325T XC7K355T XC7K410T XC7K420 XC7K480T XCK7160T ⁽⁴⁾ XC7K70T ⁽⁴⁾	XC7A15T XC7A35T XC7A50T XC7A75T XC7A100T XC7A200T
Maximum Payload Size MPS (Bytes)	Gen1	1024	1024	1024	1024	1024	1024
	x1-x4 Gen2	-2L (1V)	-2L (1V)	-2L (1V)	-2L (1V)	-2L (1V)	-2L (1V)
	x8 Gen2	512 (-3) ⁽¹⁰⁾ 256 (-2, -2L (1V))	512 (-3) 256 (-2, -2L (1V))	512 (-3) 256 (-2, -2L (1V))	512 (-3) 256 (-2, -2L (1V))	512 (-3) 256 (-2, -2L (1V))	NA

Notes:

1. ZC7015 device supports only up to Gen1 speed for -1 speed grades. For other speed grades, the maximum link speed supported is Gen2 and link width is x4.
2. ZC7030 device supports max link width upto x4 and link speed Gen2.
3. ZC7035,ZC7045 and ZC7100 devices support maximum x8 link width and Gen2 link speed for speed grades other than -1. For speed grade -1, ZC7035,ZC7045 and ZC7100 devices support only Gen1 speeds when x8 link width is selected. For other link widths, there is no such restriction.
4. Kintex-7 FBG484 package supports only x1, x2, and x4 operation; x8 is not supported.
5. Artix-7 devices only support x1, x2, and x4 operation.
6. There are four integrated blocks in XC7V2000T; however, due to the lack of bonded transceivers, not all four can be used. See Table 4-6 for the number of blocks supported in specific packages.
7. The 7 Series FPGAs Integrated Block for PCI Express does not support the Gen3 operation. See *Virtex-7 FPGA Gen3 Integrated Block for PCI Express Product Guide (PG023)* [Ref 4], for device support and information on the Virtex-7 FPGA Gen3 Integrated Block for PCI Express.
8. 1-4 lanes for 7030 devices, and 1-8 lanes for 7045 devices.
9. Not all SSI devices-PCIe/MMCM site pairs pass timing skew checks.
10. Minimum supported speed grade for the specified MPS value.
11. Gen2 line rate is not supported for -2L (0.9V).

Core Interfaces

The 7 Series FPGAs Integrated Block for PCI Express core includes top-level signal interfaces that have sub-groups for the receive direction, transmit direction, and signals common to both directions.

System Interface

The System (SYS) interface consists of the system reset signal (`sys_rst_n`) and the system clock signal (`sys_clk`), as described in Table 2-5.

Table 2-5: System Interface Signals

Function	Signal Name	Direction	Description
System Reset	sys_rst_n	Input	Asynchronous signal. <code>sys_rst_n</code> must be asserted for at least 1500 ns during power on and warm reset operations.
System Clock	sys_clk	Input	Reference clock: Selectable frequency 100 MHz, 125 MHz, or 250 MHz.

Some 7 series devices do not have 3.3 V I/Os available. Therefore the appropriate level shift is required to operate with these devices that contain only 1.8 V banks.

The system reset signal is an asynchronous input. The assertion of `sys_rst_n` causes a hard reset of the entire core. The system reset signal is a 3.3 V signal.

The system input clock must be 100 MHz, 125 MHz, or 250 MHz, as selected in the Vivado® IP catalog clock and reference signals.

PCI Express Interface

The PCI Express (PCI_EXP) interface consists of differential transmit and receive pairs organized in multiple lanes. A PCI Express lane consists of a pair of transmit differential signals (`pci_exp_txp`, `pci_exp_txn`) and a pair of receive differential signals (`pci_exp_rxp`, `pci_exp_rxn`). The 1-lane core supports only Lane 0, the 2-lane core supports lanes 0-1, the 4-lane core supports lanes 0-3, and the 8-lane core supports lanes 0-7. Transmit and receive signals of the PCI_EXP interface are defined in [Table 2-6](#).

Table 2-6: PCI Express Interface Signals for 1-, 2-, 4- and 8-Lane Cores

Lane Number	Name	Direction	Description
1-Lane Cores			
0	<code>pci_exp_txp0</code>	Output	PCI Express Transmit Positive: Serial Differential Output 0 (+)
	<code>pci_exp_txn0</code>	Output	PCI Express Transmit Negative: Serial Differential Output 0 (-)
	<code>pci_exp_rxp0</code>	Input	PCI Express Receive Positive: Serial Differential Input 0 (+)
	<code>pci_exp_rxn0</code>	Input	PCI Express Receive Negative: Serial Differential Input 0 (-)
2-Lane Cores			
0	<code>pci_exp_txp0</code>	Output	PCI Express Transmit Positive: Serial Differential Output 0 (+)
	<code>pci_exp_txn0</code>	Output	PCI Express Transmit Negative: Serial Differential Output 0 (-)
	<code>pci_exp_rxp0</code>	Input	PCI Express Receive Positive: Serial Differential Input 0 (+)
	<code>pci_exp_rxn0</code>	Input	PCI Express Receive Negative: Serial Differential Input 0 (-)

Table 2-6: PCI Express Interface Signals for 1-, 2-, 4- and 8-Lane Cores (Cont'd)

Lane Number	Name	Direction	Description
1	pci_exp_txp1	Output	PCI Express Transmit Positive: Serial Differential Output 1 (+)
	pci_exp_txn1	Output	PCI Express Transmit Negative: Serial Differential Output 1 (-)
	pci_exp_rxp1	Input	PCI Express Receive Positive: Serial Differential Input 1 (+)
	pci_exp_rxn1	Input	PCI Express Receive Negative: Serial Differential Input 1 (-)
4-Lane Cores			
0	pci_exp_txp0	Output	PCI Express Transmit Positive: Serial Differential Output 0 (+)
	pci_exp_txn0	Output	PCI Express Transmit Negative: Serial Differential Output 0 (-)
	pci_exp_rxp0	Input	PCI Express Receive Positive: Serial Differential Input 0 (+)
	pci_exp_rxn0	Input	PCI Express Receive Negative: Serial Differential Input 0 (-)
1	pci_exp_txp1	Output	PCI Express Transmit Positive: Serial Differential Output 1 (+)
	pci_exp_txn1	Output	PCI Express Transmit Negative: Serial Differential Output 1 (-)
	pci_exp_rxp1	Input	PCI Express Receive Positive: Serial Differential Input 1 (+)
	pci_exp_rxn1	Input	PCI Express Receive Negative: Serial Differential Input 1 (-)
2	pci_exp_txp2	Output	PCI Express Transmit Positive: Serial Differential Output 2 (+)
	pci_exp_txn2	Output	PCI Express Transmit Negative: Serial Differential Output 2 (-)
	pci_exp_rxp2	Input	PCI Express Receive Positive: Serial Differential Input 2 (+)
	pci_exp_rxn2	Input	PCI Express Receive Negative: Serial Differential Input 2 (-)
3	pci_exp_txp3	Output	PCI Express Transmit Positive: Serial Differential Output 3 (+)
	pci_exp_txn3	Output	PCI Express Transmit Negative: Serial Differential Output 3 (-)
	pci_exp_rxp3	Input	PCI Express Receive Positive: Serial Differential Input 3 (+)
	pci_exp_rxn3	Input	PCI Express Receive Negative: Serial Differential Input 3 (-)
8-Lane Cores			
0	pci_exp_txp0	Output	PCI Express Transmit Positive: Serial Differential Output 0 (+)
	pci_exp_txn0	Output	PCI Express Transmit Negative: Serial Differential Output 0 (-)
	pci_exp_rxp0	Input	PCI Express Receive Positive: Serial Differential Input 0 (+)
	pci_exp_rxn0	Input	PCI Express Receive Negative: Serial Differential Input 0 (-)
1	pci_exp_txp1	Output	PCI Express Transmit Positive: Serial Differential Output 1 (+)
	pci_exp_txn1	Output	PCI Express Transmit Negative: Serial Differential Output 1 (-)
	pci_exp_rxp1	Input	PCI Express Receive Positive: Serial Differential Input 1 (+)
	pci_exp_rxn1	Input	PCI Express Receive Negative: Serial Differential Input 1 (-)
2	pci_exp_txp2	Output	PCI Express Transmit Positive: Serial Differential Output 2 (+)
	pci_exp_txn2	Output	PCI Express Transmit Negative: Serial Differential Output 2 (-)
	pci_exp_rxp2	Input	PCI Express Receive Positive: Serial Differential Input 2 (+)
	pci_exp_rxn2	Input	PCI Express Receive Negative: Serial Differential Input 2 (-)

Table 2-6: PCI Express Interface Signals for 1-, 2-, 4- and 8-Lane Cores (Cont'd)

Lane Number	Name	Direction	Description
3	pci_exp_txp3	Output	PCI Express Transmit Positive: Serial Differential Output 3 (+)
	pci_exp_txn3	Output	PCI Express Transmit Negative: Serial Differential Output 3 (-)
	pci_exp_rxp3	Input	PCI Express Receive Positive: Serial Differential Input 3 (+)
	pci_exp_rxn3	Input	PCI Express Receive Negative: Serial Differential Input 3 (-)
4	pci_exp_txp4	Output	PCI Express Transmit Positive: Serial Differential Output 4 (+)
	pci_exp_txn4	Output	PCI Express Transmit Negative: Serial Differential Output 4 (-)
	pci_exp_rxp4	Input	PCI Express Receive Positive: Serial Differential Input 4 (+)
	pci_exp_rxn4	Input	PCI Express Receive Negative: Serial Differential Input 4 (-)
5	pci_exp_txp5	Output	PCI Express Transmit Positive: Serial Differential Output 5 (+)
	pci_exp_txn5	Output	PCI Express Transmit Negative: Serial Differential Output 5 (-)
	pci_exp_rxp5	Input	PCI Express Receive Positive: Serial Differential Input 5 (+)
	pci_exp_rxn5	Input	PCI Express Receive Negative: Serial Differential Input 5 (-)
6	pci_exp_txp6	Output	PCI Express Transmit Positive: Serial Differential Output 6 (+)
	pci_exp_txn6	Output	PCI Express Transmit Negative: Serial Differential Output 6 (-)
	pci_exp_rxp6	Input	PCI Express Receive Positive: Serial Differential Input 6 (+)
	pci_exp_rxn6	Input	PCI Express Receive Negative: Serial Differential Input 6 (-)
7	pci_exp_txp7	Output	PCI Express Transmit Positive: Serial Differential Output 7 (+)
	pci_exp_txn7	Output	PCI Express Transmit Negative: Serial Differential Output 7 (-)
	pci_exp_rxp7	Input	PCI Express Receive Positive: Serial Differential Input 7 (+)
	pci_exp_rxn7	Input	PCI Express Receive Negative: Serial Differential Input 7 (-)

For more information about PCI Express clocking and reset, see PCI Express Clocking and PCI Express Reset in the "Use Model" chapter of the *7 Series FPGAs GTX/GTH Transceivers User Guide (UG476)* [Ref 12].

Transaction Interface

The transaction interface provides a mechanism for the user design to generate and consume transaction layer packets (TLPs). The signal names and signal descriptions for this interface are shown in [Table 2-7](#), [Table 2-9](#), and [Table 2-10](#).

Common Interface

[Table 2-7](#) describes the common interface signals.

Table 2-7: Common Transaction Interface Signals

Name	Direction	Description
user_clk_out	Output	Transaction Clock: Transaction, Configuration, and Physical Layer Control and Status Interface operations are referenced to and synchronous with the rising edge of this clock. This signal is active after power-on, and <code>sys_rst_n</code> has no effect on it. This signal is guaranteed to be stable at the selected operating frequency only after <code>user_reset_out</code> is deasserted. The <code>user_clk_out</code> clock output is a fixed frequency configured in the CORE Generator tool. This signal does not change frequencies in case of link recovery or training down. See Table 2-8 for recommended and optional frequencies.
user_reset_out	Output	Transaction Reset: User logic interacting with the Transaction and Configuration interfaces must use <code>user_reset_out</code> to return to its quiescent state. This signal is deasserted synchronously with respect to <code>user_clk_out</code> , and is deasserted and asserted asynchronously with <code>sys_rst_n</code> assertion. This signal is asserted for core in-band reset events such as Hot Reset or Link Disable.
user_lnk_up	Output	Transaction Link Up: Transaction link-up is asserted when the core and the connected upstream link partner port are ready and able to exchange data packets. Transaction link-up is deasserted when the core and link partner are attempting to establish communication, or when communication with the link partner is lost due to errors on the transmission channel. This signal is also deasserted when the core is driven to Hot Reset or Link Disable state by the link partner, and all TLPs stored in the core are lost. This signal is not deasserted while in the Recovery state, but is deasserted if Recovery fails.
fc_ph[7:0]	Output	Posted Header Flow Control Credits: The number of Posted Header FC credits for the selected flow control type.
fc_pd[11:0]	Output	Posted Data Flow Control Credits: The number of Posted Data FC credits for the selected flow control type.
fc_nph[7:0]	Output	Non-Posted Header Flow Control Credits: The number of Non-Posted Header FC credits for the selected flow control type.
fc_npd[11:0]	Output	Non-Posted Data Flow Control Credits: The number of Non-Posted Data FC credits for the selected flow control type.
fc_cplh[7:0]	Output	Completion Header Flow Control Credits: The number of Completion Header FC credits for the selected flow control type.
fc_cpld[11:0]	Output	Completion Data Flow Control Credits: The number of Completion Data FC credits for the selected flow control type.
fc_sel[2:0]	Input	Flow Control Informational Select: Selects the type of flow control information presented on the <code>fc_*</code> signals. Possible values are: <ul style="list-style-type: none"> • 000: Receive buffer available space • 001: Receive credits granted to the link partner • 010: Receive credits consumed • 100: Transmit user credits available • 101: Transmit credit limit • 110: Transmit credits consumed

Table 2-8: Recommended and Optional Transaction Clock (user_clk_out) Frequencies

Product	Link Speed (Gb/s)	Interface Width ⁽¹⁾ (Bits)	Recommended Frequency (MHz)	Optional Frequency (MHz)
1-lane	2.5	64	62.5	125, 250
1-lane	5	64	62.5	125, 250
2-lane	2.5	64	62.5	125, 250
2-lane	5	64	125	250
4-lane	2.5	64	125	250
4-lane	5	64	250	-
4-lane	5	128	125	-
8-lane	2.5	64	250	-
8-lane	2.5	128	125	250
8-lane	5	128	250	-

Notes:

- Interface width is a static selection and does not change with dynamic link speed changes.

Transmit Interface

Table 2-9 defines the transmit (TX) interface signals. The bus `s_axis_tx_tuser` consists of unrelated signals. Both the mnemonics and TSUSER signals are used throughout this document. For example, the Transmit Source Discontinue signal is referenced as: `(tsrc_dsc)s_axis_tx_tuser[3]`.

Table 2-9: Transmit Interface Signals

Name	Mnemonic	Direction	Description										
<code>s_axis_tx_tlast</code>		Input	Transmit End-of-Frame (EOF): Signals the end of a packet. Valid only along with assertion of <code>s_axis_tx_tvalid</code> .										
<code>s_axis_tx_tdata[W-1:0]</code>		Input	Transmit Data: Packet data to be transmitted. <table border="1" data-bbox="730 1381 1352 1644"> <thead> <tr> <th>Product</th> <th>Data Bus Width (W)</th> </tr> </thead> <tbody> <tr> <td>1-lane (2.5 Gb/s and 5.0 Gb/s)</td> <td>64</td> </tr> <tr> <td>2-lane (2.5 Gb/s and 5.0 Gb/s)</td> <td>64</td> </tr> <tr> <td>4-lane (2.5 Gb/s and 5.0 Gb/s)</td> <td>64 or 128</td> </tr> <tr> <td>8-lane (2.5 Gb/s and 5.0 Gb/s)</td> <td>64 or 128</td> </tr> </tbody> </table>	Product	Data Bus Width (W)	1-lane (2.5 Gb/s and 5.0 Gb/s)	64	2-lane (2.5 Gb/s and 5.0 Gb/s)	64	4-lane (2.5 Gb/s and 5.0 Gb/s)	64 or 128	8-lane (2.5 Gb/s and 5.0 Gb/s)	64 or 128
Product	Data Bus Width (W)												
1-lane (2.5 Gb/s and 5.0 Gb/s)	64												
2-lane (2.5 Gb/s and 5.0 Gb/s)	64												
4-lane (2.5 Gb/s and 5.0 Gb/s)	64 or 128												
8-lane (2.5 Gb/s and 5.0 Gb/s)	64 or 128												

Table 2-9: Transmit Interface Signals (Cont'd)

Name	Mnemonic	Direction	Description
s_axis_tx_tkeep[7:0] (64-bit interface) s_axis_tx_tkeep[15:0] (128-bit interface)		Input	Transmit Data Strobe: Determines which data bytes are valid on s_axis_tx_tdata[W-1:0] during a given beat (s_axis_tx_tvalid and s_axis_tx_tready both asserted). <ul style="list-style-type: none"> • Bit 0 corresponds to the least significant byte on s_axis_tx_tdata. • Bit 7 (64-bit) and bit 15 (128-bit) correspond to the most significant byte. For example: <ul style="list-style-type: none"> • s_axis_tx_tkeep[0] == 1b, s_axis_tx_tdata[7:0] is valid • s_axis_tx_tkeep[7] == 0b, s_axis_tx_tdata[63:56] is not valid When s_axis_tx_tlast is not asserted, the only valid values are 0xFF (64-bit) or 0xFFFF (128-bit). When s_axis_tx_tlast is asserted, valid values are: <ul style="list-style-type: none"> • 64-bit: only 0x0F and 0xFF are valid. • 128-bit: 0x000F, 0x00FF, 0x0FFF, and 0xFFFF are valid.
s_axis_tx_tvalid		Input	Transmit Source Ready: Indicates that the user application is presenting valid data on s_axis_tx_tdata.
s_axis_tx_tready		Output	Transmit Destination Ready: Indicates that the core is ready to accept data on s_axis_tx_tdata. The simultaneous assertion of s_axis_tx_tvalid and s_axis_tx_tready marks the successful transfer of one data beat on s_axis_tx_tdata.
s_axis_tx_tuser[3]	t_src_dsc	Input	Transmit Source Discontinue: Can be asserted any time starting on the first cycle after start-of-frame (SOF). Assert s_axis_tx_tlast simultaneously with (tx_src_dsc)s_axis_tx_tuser[3].
tx_buf_av[5:0]		Output	Transmit Buffers Available: Indicates the number of free transmit buffers available in the core. Each free transmit buffer can accommodate one TLP up to the supported maximum payload size (MPS). The maximum number of transmit buffers is determined by the supported MPS and block RAM configuration selected. (See Core Buffering and Flow Control, page 93.)
tx_err_drop		Output	Transmit Error Drop: Indicates that the core discarded a packet because of a length violation or, when streaming, data was not presented on consecutive clock cycles.
s_axis_tx_tuser[2]	tx_str	Input	Transmit Streamed: Indicates a packet is presented on consecutive clock cycles and transmission on the link can begin before the entire packet has been written to the core. Commonly referred as transmit cut-through mode.
tx_cfg_req		Output	Transmit Configuration Request: Asserted when the core is ready to transmit a Configuration Completion or other internally generated TLP.

Table 2-9: Transmit Interface Signals (Cont'd)

Name	Mnemonic	Direction	Description
tx_cfg_gnt		Input	<p>Transmit Configuration Grant: Asserted by the user application in response to tx_cfg_req, to allow the core to transmit an internally generated TLP. The tx_cfg_req signal is always deasserted after the core-generated packet has been serviced before another request is made. Therefore, user designs can look for the rising edge of tx_cfg_req to determine when to assert tx_cfg_gnt. Holding tx_cfg_gnt deasserted after tx_cfg_req allows user-initiated TLPs to be given a higher priority of transmission over core-generated TLPs. Asserting tx_cfg_gnt for one clock cycle when tx_cfg_req is asserted causes the next packet output to be the internally generated packet of the core. In cases where there is no buffer space to store the internal packet, tx_cfg_req remains asserted even after tx_cfg_gnt has been asserted. Your design does not need to assert tx_cfg_gnt again because the initial assertion has been captured.</p> <p>If you do not wish to alter the prioritization of the transmission of internally generated TLPs, assert this signal continuously.</p>
s_axis_tx_tuser[1]	tx_err_fwd	Input	<p>Transmit Error Forward: This input marks the current packet in progress as error-poisoned. It can be asserted any time between SOF and EOF, inclusive. The tx_err_fwd signal must not be asserted if (tx_str)s_axis_tx_tuser[2] is asserted.</p>
s_axis_tx_tuser[0]	tx_ecrc_gen	Input	<p>Transmit ECRC Generate: Causes the end-to-end cyclic redundancy check (ECRC) digest to be appended. This input must be asserted at the beginning of the TLP.</p>

Receive Interface

Table 2-10 defines the receive (RX) interface signals. The bus m_axis_tx_tuser consists of unrelated signals. Mnemonics for these signals are used throughout this document in place of the TUSER signal names.

Table 2-10: Receive Interface Signals

Name	Mnemonic	Direction	Description										
m_axis_rx_tlast		Output	<p>Receive End-of-Frame (EOF): Signals the end of a packet. Valid only if m_axis_rx_tvalid is also asserted.</p> <p>The 128-bit interface does <i>not</i> use m_axis_rx_tlast signal at all (tied Low), but rather it uses m_axis_rx_tuser signals.</p>										
m_axis_rx_tdata[W-1:0]		Output	<p>Receive Data: Packet data being received. Valid only if m_axis_rx_tvalid is also asserted.</p> <p>When a Legacy Interrupt is sent from the Endpoint, the ENABLE_MSG_ROUTE attribute should be set to 11'b00000001000 to see this signal toggling along with m_axis_rx_tdata, m_axis_rx_tkeep and m_axis_rx_tuser.</p> <table border="1" data-bbox="792 785 1409 1052"> <thead> <tr> <th>Product</th> <th>Data Bus Width (W)</th> </tr> </thead> <tbody> <tr> <td>1-lane (2.5 Gb/s and 5.0 Gb/s)</td> <td>64</td> </tr> <tr> <td>2-lane (2.5 Gb/s and 5.0 Gb/s)</td> <td>64</td> </tr> <tr> <td>4-lane (2.5 Gb/s and 5.0 Gb/s)</td> <td>64 or 128</td> </tr> <tr> <td>8-lane (2.5 Gb/s and 5.0 Gb/s)</td> <td>64 or 128</td> </tr> </tbody> </table> <p><i>128-bit interface only:</i> Unlike the Transmit interface s_axis_tx_tdata[127:0], received TLPs can begin on either the upper QWORD m_axis_rx_tdata[127:64] or lower QWORD m_axis_rx_tdata[63:0] of the bus. See the description of is_sof and (rx_is_sof[4:0]) m_axis_rx_tuser[14:10] m_axis_rx_tuser[21:17] for further explanation.</p>	Product	Data Bus Width (W)	1-lane (2.5 Gb/s and 5.0 Gb/s)	64	2-lane (2.5 Gb/s and 5.0 Gb/s)	64	4-lane (2.5 Gb/s and 5.0 Gb/s)	64 or 128	8-lane (2.5 Gb/s and 5.0 Gb/s)	64 or 128
Product	Data Bus Width (W)												
1-lane (2.5 Gb/s and 5.0 Gb/s)	64												
2-lane (2.5 Gb/s and 5.0 Gb/s)	64												
4-lane (2.5 Gb/s and 5.0 Gb/s)	64 or 128												
8-lane (2.5 Gb/s and 5.0 Gb/s)	64 or 128												
m_axis_rx_tkeep[7:0] (64-bit interface only)		Output	<p>Receive Data Strobe: Determines which data bytes are valid on m_axis_rx_tdata[63:0] during a given beat (m_axis_rx_tvalid and m_axis_rx_tready both asserted).</p> <p>Bit 0 corresponds to the least significant byte on m_axis_rx_tdata and bit 7 correspond to the most significant byte, for example:</p> <ul style="list-style-type: none"> m_axis_rx_tkeep[0] == 1b, m_axis_rx_tdata[7:0] is valid m_axis_rx_tkeep[7] == 0b, m_axis_rx_tdata[63:56] is not valid <p>When m_axis_rx_tlast is not asserted, the only valid value is 0xFF.</p> <p>When m_axis_rx_tlast is asserted, valid values are:</p> <ul style="list-style-type: none"> 64-bit: Only 0x0F and 0xFF are valid 										

Table 2-10: Receive Interface Signals (Cont'd)

Name	Mnemonic	Direction	Description
m_axis_rx_tuser[14:10] (128-bit interface only)	rx_is_sof[4:0]	Output	Indicates the start of a new packet header in m_axis_rx_tdata: <ul style="list-style-type: none"> • Bit 4: Asserted when a new packet is present • Bit 0-3: Indicates byte location of start of new packet, binary encoded Valid values: <ul style="list-style-type: none"> • 5'b10000 = SOF at AXI byte 0 (DWORD 0) m_axis_rx_tdata[7:0] • 5'b11000 = SOF at AXI byte 8 (DWORD 2) m_axis_rx_tdata[71:64] • 5'b00000 = No SOF present
m_axis_rx_tuser[21:17] (128-bit interface only)	rx_is_eof[4:0]	Output	Indicates the end of a packet in m_axis_rx_tdata: <ul style="list-style-type: none"> • Bit 4: Asserted when a packet is ending • Bit 0-3: Indicates byte location of end of the packet, binary encoded Valid values: <ul style="list-style-type: none"> • 5'b10011 = EOF at AXI byte 3 (DWORD 0) m_axis_rx_tdata[31:24] • 5'b10111 = EOF at AXI byte 7 (DWORD 1) m_axis_rx_tdata[63:56] • 5'b11011 = EOF at AXI byte 11 (DWORD 2) m_axis_rx_tdata[95:88] • 5'b11111 = EOF at AXI byte 15 (DWORD 3) m_axis_rx_tdata[127:120] • 5'b01111 = No EOF present
m_axis_rx_tuser[1]	rx_err_fwd	Output	Receive Error Forward: <ul style="list-style-type: none"> • <i>64-bit interface</i>: When asserted, marks the packet in progress as error-poisoned. Asserted by the core for the entire length of the packet. • <i>128-bit interface</i>: When asserted, marks the current packet in progress as error-poisoned. Asserted by the core for the entire length of the packet. If asserted during a straddled data transfer, applies to the packet that is beginning.
m_axis_rx_tuser[0]	rx_ecrc_err	Output	Receive ECRC Error: Indicates the current packet has an ECRC error. Asserted at the packet EOF.
m_axis_rx_tvalid		Output	Receive Source Ready: Indicates that the core is presenting valid data on m_axis_rx_tdata.

Table 2-10: Receive Interface Signals (Cont'd)

Name	Mnemonic	Direction	Description
m_axis_rx_tready		Input	<p>Receive Destination Ready: Indicates that the user application is ready to accept data on m_axis_rx_tdata. The simultaneous assertion of m_axis_rx_tvalid and m_axis_rx_tready marks the successful transfer of one data beat on s_axis_tx_tdata.</p> <p>For a Root port configuration, when a Legacy Interrupt is sent from the Endpoint, the ENABLE_MSG_ROUTE attribute should be set to 11'b00000001000 to see this signal toggling along with m_axis_rx_tdata, m_axis_rx_tkeep and m_axis_rx_tuser.</p>
rx_np_ok		Input	<p>Receive Non-Posted OK: The user application asserts this signal when it is ready to accept Non-Posted Request TLPs. rx_np_ok must be deasserted when the user application cannot process received Non-Posted TLPs, so that these can be buffered within the receive queue of the core. In this case, Posted and Completion TLPs received after the Non-Posted TLPs bypass the blocked TLPs.</p> <p>When the user application approaches a state where it is unable to service Non-Posted Requests, it must deassert rx_np_ok two clock cycle before the core asserts m_axis_rx_tlast of the next-to-last Non-Posted TLP the user application can accept.</p>
rx_np_req		Input	<p>Receive Non-Posted Request: When asserted, requests one non-posted TLP from the core per user_clk cycle. If the user application can process received Non-Posted TLPs at the line rate, this signal can be constantly asserted. If the user application is not requesting Non-Posted packets, received Posted and Completion TLPs bypass waiting Non-Posted TLPs.</p>
m_axis_rx_tuser[9:2]	rx_bar_hit[7:0]	Output	<p>Receive BAR Hit: Indicates BAR(s) targeted by the current receive transaction. Asserted from the beginning of the packet to m_axis_rx_tlast.</p> <ul style="list-style-type: none"> • (rx_bar_hit[0])m_axis_rx_tuser[2]: BAR0 • (rx_bar_hit[1])m_axis_rx_tuser[3]: BAR1 • (rx_bar_hit[2])m_axis_rx_tuser[4]: BAR2 • (rx_bar_hit[3])m_axis_rx_tuser[5]: BAR3 • (rx_bar_hit[4])m_axis_rx_tuser[6]: BAR4 • (rx_bar_hit[5])m_axis_rx_tuser[7]: BAR5 • (rx_bar_hit[6])m_axis_rx_tuser[8]: Expansion ROM Address <p>If two BARs are configured into a single 64-bit address, both corresponding rx_bar_hit bits are asserted.</p> <ul style="list-style-type: none"> • m_axis_rx_tuser[8:4] are not applicable to Root Port configurations. • m_axis_rx_tuser[9] is reserved for future use.
m_axis_rx_tuser[16:15]			Reserved

Physical Layer Interface

The Physical Layer (PL) interface enables the user design to inspect the status of the Link and Link Partner and control the Link State. [Table 2-11](#) describes the signals for the PL interface.

Table 2-11: Physical Layer Interface Signals

Name	Direction	Description
pl_initial_link_width[2:0]	Output	Initial Negotiated Link Width: Indicates the link width after the PCI Express port has achieved the first successful link training. Initial Negotiated Link Width represents the widest link width possible during normal operation of the link, and can be equal to or smaller than the capability link width (smaller of the two) supported by link partners. This value is reset when the core is reset or the LTSSM goes through the Detect state. Otherwise the value remains the same. <ul style="list-style-type: none"> • 000: Link not trained • 001: 1-Lane link • 010: 2-Lane link • 011: 4-Lane link • 100: 8-Lane link
pl_phy_lnk_up	Output	Physical Layer Link Up Status: Indicates the physical layer link up status.
pl_lane_reversal_mode[1:0]	Output	Lane Reversal Mode: Indicates the current Lane Reversal mode. <ul style="list-style-type: none"> • 00: No reversal • 01: Lanes 1:0 reversed • 10: Lanes 3:0 reversed • 11: Lanes 7:0 reversed
pl_link_gen2_cap	Output	Link Gen2 Capable: Indicates that the PCI Express link is 5.0 Gb/s (Gen 2) speed capable (both the Link Partner and the Device are Gen 2 capable) <ul style="list-style-type: none"> • 0: Link is not Gen2 Capable • 1: Link is Gen2 Capable
pl_link_partner_gen2_supported	Output	Link Partner Gen2 Capable: Indicates if the PCI Express link partner advertises 5.0 Gb/s (Gen2) capability. Valid only when <code>user_lnk_up</code> is asserted. <ul style="list-style-type: none"> • 0: Link partner not Gen2 capable • 1: Link partner is Gen2 capable
pl_link_upcfg_cap	Output	Link Upconfigure Capable: Indicates the PCI Express link is Upconfigure capable. Valid only when <code>user_lnk_up</code> is asserted. <ul style="list-style-type: none"> • 0: Link is not Upconfigure capable • 1: Link is Upconfigure capable
pl_sel_lnk_rate	Output	Current Link Rate: Reports the current link speed. Valid only when <code>user_lnk_up</code> is asserted. <ul style="list-style-type: none"> • 0: 2.5 Gb/s • 1: 5.0 Gb/s

Table 2-11: Physical Layer Interface Signals (Cont'd)

Name	Direction	Description
pl_sel_lnk_width[1:0]	Output	Current Link Width: Reports the current link width. Valid only when <code>user_lnk_up</code> is asserted. <ul style="list-style-type: none"> • 00: 1-Lane link • 01: 2-Lane link • 10: 4-Lane link • 11: 8-Lane link
pl_ltssm_state[5:0]	Output	LTSSM State: Shows the current LTSSM state (hex). <ul style="list-style-type: none"> • 0, 1: Detect Quiet • 2, 3: Detect Active • 4: Polling Active • 5: Polling Configuration • 6: Polling Compliance, Pre_Send_EIOS • 7: Polling Compliance, Pre_Timeout • 8: Polling Compliance, Send_Pattern • 9: Polling Compliance, Post_Send_EIOS • A: Polling Compliance, Post_Timeout • B: Configuration Linkwidth, State 0 • C: Configuration Linkwidth, State 1 • D: Configuration Linkwidth, Accept 0 • E: Configuration Linkwidth, Accept 1 • F: Configuration Lanenum Wait • 10: Configuration Lanenum, Accept • 11: Configuration Complete x1 • 12: Configuration Complete x2 • 13: Configuration Complete x4 • 14: Configuration Complete x8 • 15: Configuration Idle • 16: L0 • 17: L1 Entry0 • 18: L1 Entry1 • 19: L1 Entry2 (also used for the L2/L3 Ready pseudo state) • 1A: L1 Idle • 1B: L1 Exit • 1C: Recovery Rcvrlock • 1D: Recovery Rcvrcfg • 1E: Recovery Speed_0 • 1F: Recovery Speed_1 • 20: Recovery Idle • 21: Hot Reset • 22: Disabled Entry 0 • 23: Disabled Entry 1 • 24: Disabled Entry 2 • 25: Disabled Idle

Table 2-11: Physical Layer Interface Signals (Cont'd)

Name	Direction	Description
pl_ltssm_state[5:0] (Cont'd)	Output	<ul style="list-style-type: none"> • 26: Root Port, Configuration, Linkwidth State 0 • 27: Root Port, Configuration, Linkwidth State 1 • 28: Root Port, Configuration, Linkwidth State 2 • 29: Root Port, Configuration, Link Width Accept 0 • 2A: Root Port, Configuration, Link Width Accept 1 • 2B: Root Port, Configuration, Lanenum_Wait • 2C: Root Port, Configuration, Lanenum_Accept • 2D: Timeout To Detect • 2E: Loopback Entry0 • 2F: Loopback Entry1 • 30: Loopback Active0 • 31: Loopback Exit0 • 32: Loopback Exit1 • 33: Loopback Master Entry0
pl_rx_pm_state[1:0]	Output	RX Power Management State: Indicates the RX Power Management State: <ul style="list-style-type: none"> • 00: RX Not in L0s • 01: RX L0s Entry • 10: RX L0s Idle • 11: RX L0s FTS
pl_tx_pm_state[2:0]	Output	TX Power Management State: Indicates the TX Power Management State: <ul style="list-style-type: none"> • 000: TX not in L0s • 001: TX L0s Entry0 • 010: TX L0s Entry1 • 011: TX L0s Entry2 • 100: TX L0s Idle • 101: TX L0s FTS0 • 110: TX L0s FTS1 • 111: TX L0s FTS2
pl_directed_link_auton	Input	Directed Autonomous Link Change: Specifies the reason for directed link width and speed change. This must be used in conjunction with pl_directed_link_change[1:0], pl_directed_link_speed, and pl_directed_link_width[1:0] inputs. <ul style="list-style-type: none"> • 0: Link reliability driven • 1: Application requirement driven (autonomous)

Table 2-11: Physical Layer Interface Signals (Cont'd)

Name	Direction	Description
pl_directed_link_change[1:0]	Input	Directed Link Change Control: Directs the PCI Express Port to initiate a link width and/or speed change. Link change operation must be initiated when <code>user_lnk_up</code> is asserted. For a Root Port, <code>pl_directed_link_change</code> must not be set to 10 or 11 unless the attribute <code>RP_AUTO_SPD = 11</code> . <ul style="list-style-type: none"> • 00: No change • 01: Link width • 10: Link speed • 11: Link width and speed (level-triggered)
pl_directed_link_speed	Input	Directed Target Link Speed: Specifies the target link speed for a directed link change operation, in conjunction with the <code>pl_directed_link_change[1:0]</code> input. The target link speed must not be set High unless the <code>pl_link_gen2_capable</code> output is High. <ul style="list-style-type: none"> • 0: 2.5 Gb/s • 1: 5.0 Gb/s
pl_directed_link_width[1:0]	Input	Directed Target Link Width: Specifies the target link width for a directed link change operation, in conjunction with <code>pl_directed_link_change[1:0]</code> input. Encoding Target Link Width: <ul style="list-style-type: none"> • 00: 1-Lane link • 01: 2-Lane link • 10: 4-Lane link • 11: 8-Lane link
pl_directed_change_done	Output	Directed Link Change Done: Indicates to the user application that the directed link speed change or directed link width change is done.
pl_upstream_prefer_deemph	Input	Endpoint Preferred Transmitter De-emphasis: Enables the Endpoint to control de-emphasis used on the link at 5.0 Gb/s speeds. <code>pl_upstream_prefer_deemph</code> can be changed in conjunction with <code>pl_directed_link_speed</code> and <code>pl_directed_link_change[1:0]</code> inputs when transitioning from 2.5 Gb/s to 5.0 Gb/s data rates. Value presented on <code>pl_upstream_prefer_deemph</code> depends upon the property of PCI Express physical interconnect channel in use. <ul style="list-style-type: none"> • 0: -6 dB de-emphasis recommended for short, reflection dominated channels. • 1: -3.5 dB de-emphasis recommended for long, loss dominated channels.

Table 2-12: Role-Specific Physical Layer Interface Signals: Endpoint

Name	Direction	Description
pl_received_hot_rst	Output	Hot Reset Received: Indicates that an in-band hot reset command has been received.

Table 2-13: Role-Specific Physical Layer Interface Signals: Root Port

Name	Direction	Description
pl_transmit_hot_rst	Input	Transmit Hot Reset: Active-High. Directs the PCI Express port to transmit an in-band hot reset. pl_transmit_hot_rst input port must be asserted until pl_ltssm_state is 6'h21 (in the hot reset state). Once it enters the hot reset state, pl_transmit_hot_rst input can be deasserted to allow the link to retrain.
pl_downstream_deemph_source	Input	Root Port Preferred Transmitter De-emphasis: Enables the Root Port to control de-emphasis used on the link at 5.0 Gb/s speeds. <ul style="list-style-type: none"> 0: Use Upstream link partner preferred de-emphasis. 1: Use Selectable de-emphasis value from Link Control 2 register.

Configuration Interface

The Configuration (CFG) interface enables the user design to inspect the state of the Endpoint for PCIe configuration space. The user design provides a 10-bit configuration address, which selects one of the 1024 configuration space doubleword (DWORD) registers. The Endpoint returns the state of the selected register over the 32-bit data output port. Table 2-14 defines the Configuration interface signals. See [Designing with Configuration Space Registers and Configuration Interface, page 105](#) for usage.

Table 2-14: Configuration Interface Signals

Name	Direction	Description
cfg_mgmt_do[31:0]	Output	Configuration Data Out: A 32-bit data output port used to obtain read data from the configuration space inside the core.
cfg_mgmt_rd_wr_done	Output	Configuration Read Write Done: Read-write done signal indicates a successful completion of the user configuration register access operation. <ul style="list-style-type: none"> For a user configuration register read operation, this signal validates the cfg_mgmt_do[31:0] data-bus value. For a user configuration register write operation, the assertion indicates completion of a successful write operation.
cfg_mgmt_di[31:0]	Input	Configuration Data In: A 32-bit data input port used to provide write data to the configuration space inside the core.
cfg_mgmt_dwaddr[9:0]	Input	Configuration DWORD Address: A 10-bit address input port used to provide a configuration register DWORD address during configuration register accesses.
cfg_mgmt_byte_en[3:0]	Input	Configuration Byte Enable: Byte enables for configuration register write access.
cfg_mgmt_wr_en	Input	Configuration Write Enable: Write enable for configuration register access.

Table 2-14: Configuration Interface Signals (Cont'd)

Name	Direction	Description
cfg_mgmt_rd_en	Input	Configuration Read Enable: Read enable for configuration register access.
cfg_mgmt_wr_readonly	Input	Management Write Readonly Bits: Write enable to treat any ReadOnly bit in the current Management Write as a RW bit, not including bits set by attributes, reserved bits, and status bits.
cfg_status[15:0]	Output	Configuration Status: Status register from the Configuration Space Header. Not supported.
cfg_command[15:0]	Output	Configuration Command: Command register from the Configuration Space Header.
cfg_dstatus[15:0]	Output	Configuration Device Status: Device status register from the PCI Express Capability Structure.
cfg_dcommand[15:0]	Output	Configuration Device Command: Device control register from the PCI Express Capability Structure.
cfg_dcommand2[15:0]	Output	Configuration Device Command 2: Device control 2 register from the PCI Express Capability Structure.
cfg_lstatus[15:0]	Output	Configuration Link Status: Link status register from the PCI Express Capability Structure.
cfg_lcommand[15:0]	Output	Configuration Link Command: Link control register from the PCI Express Capability Structure.
cfg_aer_ecrc_gen_en	Output	Configuration AER - ECRC Generation Enable: AER Capability and Control Register bit 6. When asserted, indicates that ECRC Generation has been enabled by the host.
cfg_aer_ecrc_check_en	Output	Configuration AER - ECRC Check Enable: AER Capability and Control Register bit 8. When asserted, indicates that ECRC Checking has been enabled by the host.
cfg_pcie_link_state[2:0]	Output	PCI Express Link State: This encoded bus reports the PCI Express Link State information. <ul style="list-style-type: none"> • 000: L0 • 001: PPM L1 • 010: PPM L2/L3 Ready • 011: PM_PME • 100: in or transitioning to/from ASPM L0s • 101: transitioning to/from PPM L1 • 110: transition to PPM L2/L3 Ready • 111: Reserved
cfg_trn_pending	Input	User Transaction Pending: If asserted, sets the Transactions Pending bit in the Device Status Register. Note: You must assert this input if the user application has not received a completion to an upstream request.
cfg_dsn[63:0]	Input	Configuration Device Serial Number: Serial Number Register fields of the Device Serial Number extended capability.
cfg_pmcsr_pme_en	Output	PMCSR PME Enable: PME_En bit (bit 8) in the Power Management Control/Status Register.

Table 2-14: Configuration Interface Signals (Cont'd)

Name	Direction	Description
cfg_pmcsr_pme_status	Output	PMCSR PME_Status: PME_Status bit (bit 15) in the Power Management Control/Status Register.
cfg_pmcsr_powerstate[1:0]	Output	PMCSR PowerState: PowerState bits (bits 1:0) in the Power Management Control/Status Register.
cfg_pm_halt_aspm_l0s	Input	Halt ASPM L0s: When asserted, it prevents the core from going into ASPM L0s. If the core is already in L0s, it causes the core to return to L0. <code>cfg_pm_force_state</code> , however, takes precedence over this input.
cfg_pm_halt_aspm_l1	Input	Halt ASPM L1: When asserted, it prevents the core from going into ASPM L1 ⁽¹⁾ . If the core is already in L1, it causes the core to return to L0. <code>cfg_pm_force_state</code> , however, takes precedence over this input.
cfg_pm_force_state[1:0]	Input	Force PM State: Forces the Power Management State machine to attempt to stay in or move to the desired state. <ul style="list-style-type: none"> • 00: Move to or stay in L0 • 01: Move to or stay in PPM L1 • 10: Move to or stay in ASPM L0s • 11: Move to or stay in ASPM L1⁽¹⁾
cfg_pm_force_state_en	Input	Force PM State Transition Enable: Enables the transition to/ stay in the desired Power Management state, as indicated by <code>cfg_pm_force_state</code> . If attempting to move to a desired state, <code>cfg_pm_force_state_en</code> must be held asserted until <code>cfg_pcie_link_state</code> indicates a move to the desired state.
cfg_received_func_lvl_rst	Output	Received Function Level Reset: Indicates when the Function Level Reset has been received (FLR Configuration Register has been set). Note: This feature is not supported in this core. <code>DEV_CAP_FUNCTION_LEVEL_RESET_CAPABLE</code> is always set to FALSE, and this port is unused.
cfg_vc_tvc_map[6:0]	Output	Configuration VC Resource Control TC/VC Map: Indicates whether TCs 1 through 7 are valid for VC0.
cfg_msg_received	Output	Message Received: Active-High. Notifies you that a Message TLP was received on the Link.
cfg_msg_data[15:0]	Output	Message Requester ID: The Requester ID of the Message was received. Valid only along with assertion of <code>cfg_msg_received</code> .

Notes:

1. ASPM L1 is not supported in the 7 Series Integrated Block for PCIe.

Table 2-15: Role-Specific Configuration Interface Signals: Endpoint

Name	Direction	Description
cfg_bus_number[7:0]	Output	Configuration Bus Number: Provides the assigned bus number for the device. The user application must use this information in the Bus Number field of outgoing TLP requests. Default value after reset is 00h. Refreshed whenever a Type 0 Configuration Write packet is received.
cfg_device_number[4:0]	Output	Configuration Device Number: Provides the assigned device number for the device. The user application must use this information in the Device Number field of outgoing TLP requests. Default value after reset is 00000b. Refreshed whenever a Type 0 Configuration Write packet is received.
cfg_function_number[2:0]	Output	Configuration Function Number: Provides the function number for the device. The user application must use this information in the Function Number field of outgoing TLP request. Function number is hardwired to 000b.
cfg_to_turnoff	Output	Configuration To Turnoff: Output that notifies you that a PME_TURN_Off message has been received and the CMM starts polling the <code>cfg_turnoff_ok</code> input coming in. After <code>cfg_turnoff_ok</code> is asserted, CMM sends a PME_To_Ack message to the upstream device.
cfg_turnoff_ok	Input	Configuration Turnoff OK: The user application can assert this to notify the Endpoint that it is safe to turn off power.
cfg_pm_wake	Input	Configuration Power Management Wake: A one-clock cycle assertion informs the core to generate and send a Power Management Wake Event (PM_PME) Message TLP to the upstream link partner. Note: The user application asserts this input only under stable link conditions as reported on the <code>cfg_pcie_link_state[2:0]</code> bus. Assertion of this signal when the PCI Express link is in transition results in incorrect behavior on the PCI Express link.
cfg_msg_received_pm_as_nak	Output	Received Power Management Active State NAK Message: Indicates that a PM_AS_NAK Message was received on the link.
cfg_msg_received_setslotpowerlimit	Output	Received Set Slot Power Limit: Indicates that a Set Slot Power Limit Message was received on the link. The data of the Set Slot Power Limit Message is delivered on the <code>cfg_msg_data</code> output.

Table 2-16: Role-Specific Configuration Interface Signals: Root Port

Name	Direction	Description
cfg_ds_bus_number[7:0]	Input	Configuration Downstream Bus Number: Provides the bus number (Requester ID) of the Downstream Port. This is used in TLPs generated inside the core and does not affect the TLPs presented on the AXI4-Stream interface.
cfg_ds_device_number[4:0]	Input	Configuration Downstream Device Number: Provides the device number (Requester ID) of the Downstream Port. This is used in TLPs generated inside the core and does not affect the TLPs presented on the transaction interface.
cfg_ds_function_number[2:0]	Input	Configuration Downstream Function Number: Provides the function number (Requester ID) of the Downstream Port. This is used in TLPs generated inside the core and does not affect the TLPs presented on the transaction interface.
cfg_wr_rw1c_as_rw	Input	Configuration Write RW1C Bit as RW: Indicates that the current write operation should treat any RW1C bit as a RW bit. Normally, a RW1C bit is cleared by writing a 1 to it, and can normally only be set by internal core conditions. However, during a configuration register access operation with this signal asserted, for every bit on <code>cfg_di</code> that is 1, the corresponding RW1C configuration register bit is set to 1. A value of 0 on <code>cfg_di</code> during this operation has no effect, and non-RW1C bits are unaffected regardless of the value on <code>cfg_di</code> .
cfg_msg_received_err_cor	Output	Received ERR_COR Message: Active-High. Indicates that the core received an ERR_COR Message. Valid only along with assertion of <code>cfg_msg_received</code> . The Requester ID of this Message Transaction is provided on <code>cfg_msg_data[15:0]</code> .
cfg_msg_received_err_non_fatal	Output	Received ERR_NONFATAL Message: Active-High. Indicates that the core received an ERR_NONFATAL Message. Valid only along with assertion of <code>cfg_msg_received</code> . The Requester ID of this Message Transaction is provided on <code>cfg_msg_data[15:0]</code> .
cfg_msg_received_err_fatal	Output	Received ERR_FATAL Message: Active-High. Indicates that the core received an ERR_FATAL Message. Valid only along with assertion of <code>cfg_msg_received</code> . The Requester ID of this Message Transaction is provided on <code>cfg_msg_data[15:0]</code> .
cfg_pm_send_pme_to	Input	Configuration Send Turn-off: Asserting this active-Low input causes the Root Port to send Turn Off Message. When the link partner responds with a Turn Off Ack, this is reported on <code>cfg_msg_received_pme_to_ack</code> , and the final transition to L3 Ready is reported on <code>cfg_pcie_link_state</code> . Tie-off to 0 for Endpoint.

Table 2-16: Role-Specific Configuration Interface Signals: Root Port (Cont'd)

Name	Direction	Description
cfg_msg_received_err_pme_to_ack	Output	Received PME_TO_Ack Message: Active-High. Indicates that the core received an PME_TO_Ack Message. Valid only along with assertion of <code>cfg_msg_received</code> . The Requester ID of this Message Transaction is provided on <code>cfg_msg_data[15:0]</code> .
cfg_msg_received_assert_inta	Output	Received Assert_INTA Message: Active-High. Indicates that the core received an Assert_INTA Message. Valid only along with assertion of <code>cfg_msg_received</code> . The Requester ID of this Message Transaction is provided on <code>cfg_msg_data[15:0]</code> .
cfg_msg_received_assert_intb	Output	Received Assert_INTB Message: Active-High. Indicates that the core received an Assert_INTB Message. Valid only along with assertion of <code>cfg_msg_received</code> . The Requester ID of this Message Transaction is provided on <code>cfg_msg_data[15:0]</code> .
cfg_msg_received_assert_intc	Output	Received Assert_INTC Message: Active-High. Indicates that the core received an Assert_INTC Message. Valid only along with assertion of <code>cfg_msg_received</code> . The Requester ID of this Message Transaction is provided on <code>cfg_msg_data[15:0]</code> .
cfg_msg_received_assert_intd	Output	Received Assert_INTD Message: Active-High. Indicates that the core received an Assert_INTD Message. Valid only along with assertion of <code>cfg_msg_received</code> . The Requester ID of this Message Transaction is provided on <code>cfg_msg_data[15:0]</code> .
cfg_msg_received_deassert_inta	Output	Received Deassert_INTA Message: Active-High. Indicates that the core received a Deassert_INTA Message. Valid only along with assertion of <code>cfg_msg_received</code> . The Requester ID of this Message Transaction is provided on <code>cfg_msg_data[15:0]</code> .
cfg_msg_received_deassert_intb	Output	Received Deassert_INTB Message: Active-High. Indicates that the core received a Deassert_INTB Message. Valid only along with assertion of <code>cfg_msg_received</code> . The Requester ID of this Message Transaction is provided on <code>cfg_msg_data[15:0]</code> .
cfg_msg_received_deassert_intc	Output	Received Deassert_INTC Message: Active-High. Indicates that the core received a Deassert_INTC Message. Valid only along with assertion of <code>cfg_msg_received</code> . The Requester ID of this Message Transaction is provided on <code>cfg_msg_data[15:0]</code> .
cfg_msg_received_deassert_intd	Output	Received Deassert_INTD Message: Active-High. Indicates that the core received a Deassert_INTD Message. Valid only along with assertion of <code>cfg_msg_received</code> . The Requester ID of this Message Transaction is provided on <code>cfg_msg_data[15:0]</code> .
cfg_msg_received_pm_pme	Output	Received PME Message: Indicates that a Power Management Event Message was received on the link.

Interrupt Interface Signals

Table 2-17 defines the Interrupt interface signals.

Table 2-17: Configuration Interface Signals: Interrupt Interface - Endpoint Only

Name	Direction	Description
cfg_interrupt	Input	Configuration Interrupt: Interrupt-request signal. The user application can assert this input to cause the selected interrupt message type to be transmitted by the core. The signal should be held High until <code>cfg_interrupt_rdy</code> is asserted.
cfg_interrupt_rdy	Output	Configuration Interrupt Ready: Interrupt grant signal. The simultaneous assertion of <code>cfg_interrupt_rdy</code> and <code>cfg_interrupt</code> indicates that the core has successfully transmitted the requested interrupt message.
cfg_interrupt_assert	Input	Configuration Legacy Interrupt Assert/Deassert Select: Selects between Assert and Deassert messages for Legacy interrupts when <code>cfg_interrupt</code> is asserted. Not used for MSI interrupts. Value Message Type 1 Assert 0 Deassert
cfg_interrupt_di[7:0]	Input	Configuration Interrupt Data In: For MSIs, the portion of the Message Data that the Endpoint must drive to indicate the MSI vector number, if Multi-Vector Interrupts are enabled. The value indicated by <code>cfg_interrupt_mmenable[2:0]</code> determines the number of lower-order bits of Message Data that the Endpoint provides; the remaining upper bits of <code>cfg_interrupt_di[7:0]</code> are not used. For Single-Vector Interrupts, <code>cfg_interrupt_di[7:0]</code> is not used. For Legacy Interrupt messages (Assert_INTx, Deassert_INTx), only INTA (00h) is supported.
cfg_interrupt_do[7:0]	Output	Configuration Interrupt Data Out: The value of the lowest eight bits of the Message Data field in the MSI capability structure of the Endpoint. This value is provided for informational purposes and backwards compatibility.

Table 2-17: Configuration Interface Signals: Interrupt Interface - Endpoint Only (Cont'd)

Name	Direction	Description
cfg_interrupt_mmenable[2:0]	Output	Configuration Interrupt Multiple Message Enable: This is the value of the Multiple Message Enable field and defines the number of vectors the system allows for multi-vector MSI. Values range from 000b to 101b. A value of 000b indicates that single-vector MSI is enabled, while other values indicate the number of lower-order bits that can be overridden by <code>cfg_interrupt_di[7:0]</code> . <ul style="list-style-type: none"> • 000: 0 bits • 001: 1 bit • 010: 2 bits • 011: 3 bits • 100: 4 bits • 101: 5 bits
cfg_interrupt_msienable	Output	Configuration Interrupt MSI Enabled: Indicates that MSI messaging is enabled. <ul style="list-style-type: none"> • 0: Only Legacy (INTX) interrupts or MSI-X Interrupts can be sent. • 1: Only MSI Interrupts should be sent.
cfg_interrupt_msixenable	Output	Configuration Interrupt MSI-X Enabled: Indicates that the MSI-X messaging is enabled. <ul style="list-style-type: none"> • 0: Only Legacy (INTX) interrupts or MSI Interrupts can be sent. • 1: Only MSI-X Interrupts should be sent.
cfg_interrupt_msixfm	Output	Configuration Interrupt MSI-X Function Mask: Indicates the state of the Function Mask bit in the MSI-X Message Control field. If 0, the Mask bit of each vector determines its masking. If 1, all vectors are masked, regardless of their per-vector Mask bit states.
cfg_pciecap_interrupt_msgnum[4:0]	Input	Configuration PCIe Capabilities - Interrupt Message Number: This input sets the Interrupt Message Number field in the PCI Express Capability register. This input value must be adjusted if only MSI is enabled and the host adjusts the Multiple Message Enable field such that it invalidates the current value.
cfg_interrupt_stat	Input	Configuration Interrupt Status: Causes the Interrupt Status bit to be set or cleared when the automatic setting of the Interrupt Status bit based on the Interrupt Interface inputs is disabled.

Error Reporting Signals

Table 2-18 defines the user application error-reporting signals.

Table 2-18: User Application Error-Reporting Signals

Port Name	Direction	Description
cfg_err_ecrc	Input	ECRC Error Report: You can assert this signal to report an ECRC error (end-to-end CRC).
cfg_err_ur	Input	Configuration Error Unsupported Request: You can assert this signal to report that an unsupported request was received. This signal is ignored if <code>cfg_err_cpl_rdy</code> is deasserted.
cfg_err_cpl_timeout ⁽¹⁾	Input	Configuration Error Completion Timeout: You can assert this signal to report that a completion timed out.
cfg_err_cpl_unexpect	Input	Configuration Error Completion Unexpected: You can assert this signal to report that an unexpected completion was received.
cfg_err_cpl_abort	Input	Configuration Error Completion Aborted: You can assert this signal to report that a completion was aborted. This signal is ignored if <code>cfg_err_cpl_rdy</code> is deasserted.
cfg_err_posted	Input	Configuration Error Posted: This signal is used to further qualify any of the <code>cfg_err_*</code> input signals. When this input is asserted concurrently with one of the other signals, it indicates that the transaction that caused the error was a posted transaction.
cfg_err_cor ⁽¹⁾	Input	Configuration Error Correctable Error: You can assert this signal to report that a correctable error was detected.
cfg_err_atomic_egress_blocked	Input	Configuration Error AtomicOp Egress Blocked: You can assert this signal to report that an Atomic TLP was blocked.
cfg_err_internal_cor	Input	Configuration Error Corrected Internal: You can assert this signal to report that an Internal error occurred and was corrected. This input is only sampled if AER is enabled.
cfg_err_internal_uncor	Input	Configuration Error Uncorrectable Internal: You can assert this signal to report that an Uncorrectable Internal error occurred. This input is only sampled if AER is enabled.
cfg_err_malformed	Input	Configuration Error Malformed Error: You can assert this signal to report a Malformed Error.
cfg_err_mc_blocked	Input	Configuration Error MultiCast Blocked: You can assert this signal to report that a Multicast TLP was blocked.
cfg_err_poisoned	Input	Configuration Error Poisoned TLP: You can assert this signal to report that a Poisoned TLP was received. Normally, only used if attribute <code>DISABLE_RX_POISONED_RESP=TRUE</code> .

Table 2-18: User Application Error-Reporting Signals (Cont'd)

Port Name	Direction	Description
cfg_err_no_recovery	Input	Configuration Error Cannot Recover: Used to further qualify the <code>cfg_err_poisoned</code> and <code>cfg_err_cpl_timeout</code> input signals. When this input is asserted concurrently with one of these signals, it indicates that the transaction that caused these errors cannot be recovered from. For a Completion Timeout, you can elect not to attempt the Request again. For a received Poisoned TLP, you cannot continue operation. In either case, assertion causes the corresponding error to not be regarded as ANFE.
cfg_err_tlp_cpl_header[47:0]	Input	Configuration Error TLP Completion Header: Accepts the header information when an error is signaled. This information is required so that the core can issue a correct completion, if required. This information should be extracted from the received error TLP and presented in the given format: [47:41] Lower Address [40:29] Byte Count [28:26] TC [25:24] Attr [23:8] Requester ID [7:0] Tag
cfg_err_cpl_rdy	Output	Configuration Error Completion Ready: When asserted, this signal indicates that the core can accept assertions on <code>cfg_err_ur</code> and <code>cfg_err_cpl_abort</code> for Non-Posted Transactions. Assertions on <code>cfg_err_ur</code> and <code>cfg_err_cpl_abort</code> are ignored when <code>cfg_err_cpl_rdy</code> is deasserted.
cfg_err_locked	Input	Configuration Error Locked: This signal is used to further qualify any of the <code>cfg_err_*</code> input signals. When this input is asserted concurrently with one of the other signals, it indicates that the transaction that caused the error was a locked transaction. This signal is for use in Legacy mode. To signal an unsupported request or an aborted completion for a locked transaction, this signal can be used to return a Completion Locked with UR or CA status. Note: When not in Legacy mode, the core automatically returns a Completion Locked, if appropriate.
cfg_err_aer_headerlog[127:0]	Input	Configuration Error AER Header Log: AER Header log for the signaled error.
cfg_err_aer_headerlog_set	Output	Configuration Error AER Header Log Set: When asserted, indicates that Error AER Header Log is Set in the case of a Single Header implementation/Full in the case of a Multi-Header implementation and the header for user-reported error is not needed.

Table 2-18: User Application Error-Reporting Signals (Cont'd)

Port Name	Direction	Description
cfg_aer_interrupt_msgnum[4:0]	Input	Configuration AER Interrupt Message Number: This input sets the AER Interrupt Message (Root Port only) Number field in the AER Capability - Root Error Status register. If AER is enabled, this input must be driven to a value appropriate for MSI or MSIx mode, whichever is enabled. You must adjust this input value if only MSI is enabled, and the host adjusts the Multiple Message Enable field such that it invalidates the current value.
cfg_err_acs	Input	Configuration Error ACS Violation: You can assert this signal to report that an ACS Violation has occurred.

Notes:

1. Assert these signals only if the device power state is D0. Asserting these signals in non-D0 device power states might result in an incorrect operation on the PCIe link. For additional information, see the *PCI Express Base Specification, rev. 2.1*, Section 5.3.1.2 [Ref 2].

Table 2-19 defines the Error and Advanced Error Reporting Status of the 7 Series Integrated Block for PCIe when configured as a Root Port.

Table 2-19: Error-Reporting Interface - Root Port Only

Name	Direction	Description
cfg_bridge_serr_en	Output	Configuration Bridge Control – SERR Enable: When asserted, this enables the forwarding of Correctable, Non-Fatal, and Fatal errors, as set in the Bridge Control register bit 1. You must enforce the forwarding of these errors.
cfg_slot_control_electromech_il_ctl_pulse	Output	Electromechanical Interlock Control: Indicates that the Electromechanical Interlock Control bit of the Slot Control Configuration register was written with a '1'.
cfg_root_control_syserr_corr_err_en	Output	System Error on Correctable Error Enable: Indicates the status of the System Error on Correctable Error Enable bit in the Root Control Configuration register. This enables the user logic to generate a System Error for reported Correctable Errors.
cfg_root_control_syserr_non_fatal_err_en	Output	System Error on Non-Fatal Error Enable: Indicates the status of the System Error on Non-Fatal Error Enable bit in the Root Control Configuration register. This enables the user logic to generate a System Error for reported Non-Fatal Errors.

Table 2-19: Error-Reporting Interface - Root Port Only (Cont'd)

Name	Direction	Description
cfg_root_control_syserr_fatal_err_en	Output	System Error on Fatal Error Enable: Indicates the status of the System Error on Fatal Error Enable bit in the Root Control Configuration register. This enables the user logic to generate a System Error for reported Fatal Errors.
cfg_root_control_pme_int_en	Output	PME Interrupt Enable: Indicates the status of the PME Interrupt Enable bit in the Root Control Configuration register. This enables the user logic to generate an Interrupt for received PME messages.
cfg_aer_rooterr_corr_err_reporting_en	Output	AER Correctable Error Reporting Enable: Indicates status of the AER Correctable Error Reporting Enable bit in the AER Root Error Command configuration register. This bit enables the user logic to generate Interrupts for reported Correctable Errors.
cfg_aer_rooterr_non_fatal_err_reporting_en	Output	AER Non-Fatal Error Reporting Enable: Indicates status of the AER Non-Fatal Error Reporting Enable bit in the AER Root Error Command configuration register. This bit enables the user logic to generate Interrupts for reported Non-Fatal Errors.
cfg_aer_rooterr_fatal_err_reporting_en	Output	AER Fatal Error Reporting Enable: Indicates status of the AER Fatal Error Reporting Enable bit in the AER Root Error Command configuration register. This bit enables the user logic to generate Interrupts for reported Fatal Errors.
cfg_aer_rooterr_corr_err_received	Output	AER Correctable Error Message Received: Indicates status of the AER Correctable Error Message Received bit in the AER Root Error Status configuration register. This bit indicates that a Correctable Error message was received.
cfg_aer_rooterr_non_fatal_err_received	Output	AER Non-Fatal Error Message Received: Indicates status of the AER Non-Fatal Error Message Received bit in the AER Root Error Status configuration register. This bit indicates that a Non-Fatal Error message was received.
cfg_aer_rooterr_fatal_err_received	Output	AER Fatal Error Message Received: Indicates status of the AER Fatal Error Message Received bit in the AER Root Error Status configuration register. This bit indicates that a Fatal Error message was received.

Dynamic Reconfiguration Port Interface

The Dynamic Reconfiguration Port (DRP) interface allows for the dynamic change of FPGA configuration memory bits of the 7 Series FPGAs Integrated Block for PCI Express core. These configuration bits are represented as attributes for the `PCIE_2_1` library primitive, which is instantiated as part of this core. [Table 2-20](#) defines the DRP interface signals. For detailed usage information, see [Using the Dynamic Reconfiguration Port Interface, page 142](#).

Table 2-20: Dynamic Reconfiguration Port Interface Signals

Name	Direction	Description
<code>pcie_drp_clk</code>	Input	PCI Express DRP Clock: The rising edge of this signal is the timing reference for all the other DRP signals. Normally, <code>drp_clk</code> is driven with a global clock buffer. The maximum frequency is defined in the appropriate 7 Series FPGAs data sheet (see References in Appendix E).
<code>pcie_drp_en</code>	Input	PCI Express DRP Data Enable: When asserted, this signal enables a read or write operation. If <code>drp_dwe</code> is deasserted, it is a read operation, otherwise a write operation. For any given <code>drp_clk</code> cycle, all other input signals are not affected if <code>drp_den</code> is not active.
<code>pcie_drp_we</code>	Input	PCI Express DRP Write Enable: When asserted, this signal enables a write operation to the port (see <code>drp_den</code>).
<code>pcie_drp_addr[8:0]</code>	Input	PCI Express DRP Address Bus: The value on this bus specifies the individual cell that is written or read. The address is presented in the cycle that <code>drp_den</code> is active.
<code>pcie_drp_di[15:0]</code>	Input	PCI Express DRP Data Input: The value on this bus is the data written to the addressed cell. The data is presented in the cycle that <code>drp_den</code> and <code>drp_dwe</code> are active, and is captured in a register at the end of that cycle, but the actual write occurs at an unspecified time before <code>drp_drdy</code> is returned.
<code>pcie_drp_rdy</code>	Output	PCI Express DRP Ready: This signal is a response to <code>drp_den</code> to indicate that the DRP cycle is complete and another DRP cycle can be initiated. In the case of a DRP read, the <code>drp_do</code> bus must be captured on the rising edge of <code>drp_clk</code> in the cycle that <code>drp_drdy</code> is active. The earliest that <code>drp_den</code> can go active to start the next port cycle is the same clock cycle that <code>drp_drdy</code> is active.
<code>pcie_drp_do[15:0]</code>	Output	PCI Express DRP Data Out: If <code>drp_dwe</code> was inactive when <code>drp_den</code> is activated, the value on this bus when <code>drp_drdy</code> goes active is the data read from the addressed cell. At all other times, the value on <code>drp_do[15:0]</code> is undefined.

PCI Configuration Space

The PCI configuration space consists of three primary parts, illustrated in [Table 2-21](#). These include:

- Legacy PCI v3.0 Type 0/1 Configuration Space Header
 - Type 0 Configuration Space Header used by Endpoint applications (see [Table 2-22](#))
 - Type 1 Configuration Space Header used by Root Port applications (see [Table 2-23](#))
- Legacy Extended Capability Items
 - PCIe Capability Item
 - Power Management Capability Item
 - Message Signaled Interrupt (MSI) Capability Item
 - MSI-X Capability Item (optional)
- PCIe Extended Capabilities
 - Device Serial Number Extended Capability Structure (optional)
 - Virtual Channel Extended Capability Structure (optional)
 - Vendor Specific Extended Capability Structure (optional)
 - Advanced Error Reporting Extended Capability Structure (optional)
 - Resizable BAR Extended Capability Structure (optional)

The core implements up to four legacy extended capability items. The remaining legacy extended capability space from address `0xA8` to `0xFF` is reserved or user-definable (Endpoint configuration only). Also, the locations for any optional capability structure that is not implemented are reserved. If you do not use this space, the core returns `0x00000000` when this address range is read. If you implement registers within user-definable locations in the range `0xA8` to `0xFF`, this space must be implemented in the user application. You are also responsible for returning `0x00000000` for any address within this range that is not implemented in the user application.

For more information about enabling this feature, see [Chapter 4, Customizing and Generating the Core](#). For more information about designing with this feature, see [Designing with Configuration Space Registers and Configuration Interface, page 105](#).



IMPORTANT: *The core optionally implements up to three PCI Express Extended Capabilities. The remaining PCI Express Extended Capability Space is available for you to implement.*

The starting address of the space available to you depends on which, if any, of the five optional PCIe Extended Capabilities are implemented. If you implement registers in this

space, you can select the starting location of this space, and this space must be implemented in the user application. For more information about enabling this feature, see [Extended Capabilities, page 225](#). For more information about designing with this feature, see [Designing with Configuration Space Registers and Configuration Interface in Chapter 3](#).

Table 2-21: Common PCI Configuration Space Header

	31	16	15	0					
	Device ID		Vendor ID		000h				
	Status		Command		004h				
	Class Code			Rev ID	008h				
	BIST	Header	Lat Timer	Cache Ln	00Ch				
	Header Type Specific (see Table 2-22 and Table 2-23)				010h				
									014h
									018h
									01Ch
									020h
									024h
									028h
									02Ch
									030h
									034h
					038h				
			Intr Pin	Intr Line	03Ch				
	PM Capability		NxtCap	PM Cap	040h				
	Data	BSE	PMCSR		044h				
Customizable ⁽¹⁾	MSI Control		NxtCap	MSI Cap	048h				
	Message Address (Lower)				04Ch				
	Message Address (Upper)				050h				
	Reserved		Message Data		054h				
	Mask Bits				058h				
	Pending Bits				05Ch				
	PE Capability		NxtCap	PE Cap	060h				
	PCI Express Device Capabilities				064h				
Device Status		Device Control		068h					
PCI Express Link Capabilities				06Ch					
Link Status		Link Control		070h					
Root Port Only ⁽²⁾	Slot Capabilities				074h				
	Slot Status		Slot Control		078h				
	Root Capabilities		Root Control		07Ch				
	Root Status				080h				
	PCI Express Device Capabilities 2				084h				
Device Status 2		Device Control 2		088h					

Table 2-21: Common PCI Configuration Space Header (Cont'd)

	31	16	15	0	
	PCI Express Link Capabilities 2				08Ch
	Link Status 2		Link Control 2		090h
	Unimplemented Configuration Space (Returns 0x00000000)				094h- 098h
Optional	MSIx Control		NxtCap	MSIx Cap	09Ch
	Table Offset			Table BIR	0A0h
	PBA Offset			PBA BIR	0A4h
	Reserved Legacy Configuration Space (Returns 0x00000000)				0A8h- 0FFh
Optional ⁽³⁾	Next Cap	Cap. Ver.	PCI Express Extended Capability - DSN		100h
	PCI Express Device Serial Number (1st)				104h
	PCI Express Device Serial Number (2nd)				108h
Optional ⁽³⁾	Next Cap	Cap. Ver.	PCI Express Extended Capability - VC		10Ch
	Port VC Capability Register 1				110h
	Port VC Capability Register 2				114h
	Port VC Status		Port VC Control		118h
	VC Resource Capability Register 0				11Ch
	VC Resource Control Register 0				120h
	VC Resource Status Register 0				124h
Optional ⁽³⁾	Next Cap	Cap. Ver.	PCI Express Extended Capability - VSEC		128h
	Vendor Specific Header				12Ch
	Vendor Specific - Loopback Command				130h
	Vendor Specific - Loopback Status				134h
	Vendor Specific - Error Count #1				138h
	Vendor Specific - Error Count #2				13Ch

Table 2-21: Common PCI Configuration Space Header (Cont'd)

	31	16	15	0	
Optional ⁽³⁾	Next Cap	Cap. Ver.	PCI Express Extended Cap. ID (AER)		140h
	Uncorrectable Error Status Register				144h
	Uncorrectable Error Mask Register				148h
	Uncorrectable Error Severity Register				14Ch
	Correctable Error Status Register				150h
	Correctable Error Mask Register				154h
	Advanced Error Cap. & Control Register				158h
	Header Log Register 1				15Ch
	Header Log Register 2				160h
	Header Log Register 3				164h
	Header Log Register 4				168h
	Optional, Root Port only ⁽³⁾	Root Error Command Register			
Root Error Status Register				170h	
Error Source ID Register				174h	
Optional ⁽³⁾	Next Cap	Cap. Ver.	PCI Express Extended Cap. ID (RBAR)		178h
	Resizable BAR Capability Register(0)				17Ch
	Reserved		Resizable BAR Control(0)		180h
	Resizable BAR Capability Register(1)				184h
	Reserved		Resizable BAR Control(1)		188h
	Resizable BAR Capability Register(2)				18Ch
	Reserved		Resizable BAR Control(2)		190h
	Resizable BAR Capability Register(3)				194h
	Reserved		Resizable BAR Control(3)		198h
	Resizable BAR Capability Register(4)				19Ch
	Reserved		Resizable BAR Control(4)		1A0h
	Resizable BAR Capability Register(5)				1A4h
	Reserved		Resizable BAR Control(5)		1A8h
Reserved Extended Configuration Space (Returns Completion with 0x00000000)				1ACh-FFFh	

Notes:

1. The MSI Capability Structure varies depending on the selections in the Vivado Integrated Design Environment (IDE).
2. Reserved for Endpoint configurations (returns 0x00000000).
3. The layout of the PCI Express Extended Configuration Space (100h-FFFh) can change depending on which optional capabilities are enabled. This table represents the Extended Configuration space layout when all five optional extended capability structures are enabled. For more information, see [Optional PCI Express Extended Capabilities, page 113](#).

Table 2-22: Type 0 PCI Configuration Space Header

31	16	15	0	
Device ID		Vendor ID		00h
Status		Command		04h
Class Code			Rev ID	08h
BIST	Header	Lat Timer	Cache Ln	0Ch
Base Address Register 0				10h
Base Address Register 1				14h
Base Address Register 2				18h
Base Address Register 3				1Ch
Base Address Register 4				20h
Base Address Register 5				24h
Cardbus CIS Pointer				28h
Subsystem ID		Subsystem Vendor ID		2Ch
Expansion ROM Base Address				30h
Reserved			CapPtr	34h
Reserved				38h
Max Lat	Min Gnt	Intr Pin	Intr Line	3Ch

Table 2-23: Type 1 PCI Configuration Space Header

31	16	15	0	
Device ID		Vendor ID		00h
Status		Command		04h
Class Code			Rev ID	08h
BIST	Header	Lat Timer	Cache Ln	0Ch
Base Address Register 0				10h
Base Address Register 1				14h
Second Lat Timer	Sub Bus Number	Second Bus Number	Primary Bus Number	18h
Secondary Status		I/O Limit	I/O Base	1Ch
Memory Limit		Memory Base		20h
Prefetchable Memory Limit		Prefetchable Memory Base		24h
Prefetchable Base Upper 32 Bits				28h
Prefetchable Limit Upper 32 Bits				2Ch
I/O Limit Upper 16 Bits		I/O Base Upper 16 Bits		30h
Reserved			CapPtr	34h
Expansion ROM Base Address				38h
Bridge Control		Intr Pin	Intr Line	3Ch

Designing with the Core

This chapter includes guidelines and additional information to make designing with the core easier. It provides design instructions for the 7 Series FPGAs Integrated Block for PCI Express® user interface and assumes knowledge of the PCI Express transaction layer packet (TLP) header fields. Header fields are defined in the "Transaction Layer Specification" chapter of the *PCI Express Base Specification v2.1* [Ref 2].

General Design Guidelines

Designing with the 64-Bit Transaction Layer Interface

TLP Format on the AXI4-Stream Interface

Data is transmitted and received in Big-Endian order as required by the *PCI Express Base Specification* [Ref 2]. See the "Transaction Layer Specification" chapter of the *PCI Express Base Specification* for detailed information about TLP packet ordering. Figure 3-1 represents a typical 32-bit addressable Memory Write Request TLP (as illustrated in the "Transaction Layer Specification" chapter of the specification).

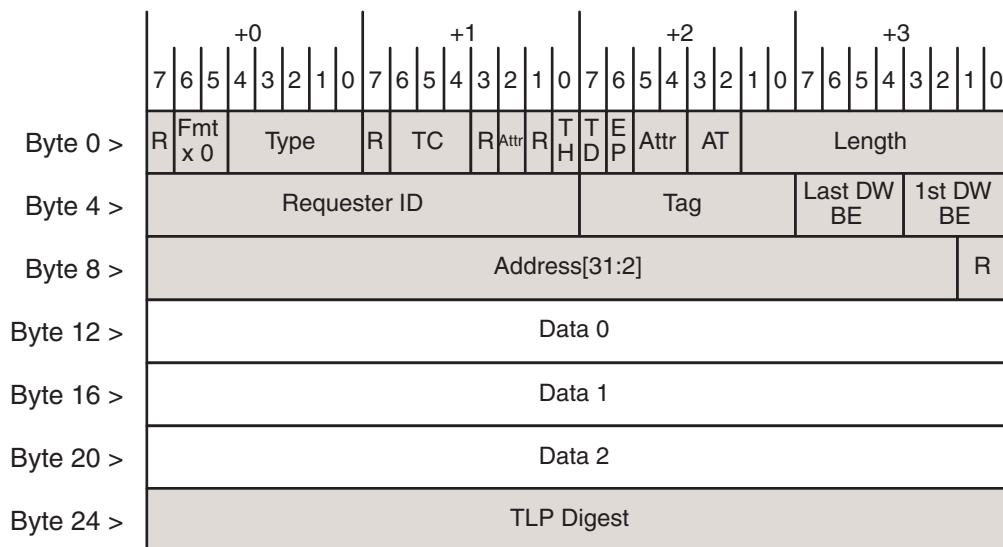


Figure 3-1: PCI Express Base Specification Byte Order

When using the AXI4-Stream interface, packets are arranged on the entire 64-bit datapath. Figure 3-2 shows the same example packet on the AXI4-Stream interface. Byte 0 of the packet appears on `s_axis_tx_tdata[31:24]` (transmit) or `m_axis_rx_tdata[31:24]` (receive) of the first QWORD, byte 1 on `s_axis_tx_tdata[23:16]` or `m_axis_rx_tdata[23:16]`. Byte 8 of the packet then appears on `s_axis_tx_tdata[31:24]` or `m_axis_rx_tdata[31:24]` of the second QWORD. The Header section of the packet consists of either three or four DWORDs, determined by the TLP format and type as described in section 2.2 of the *PCI Express Base Specification*.

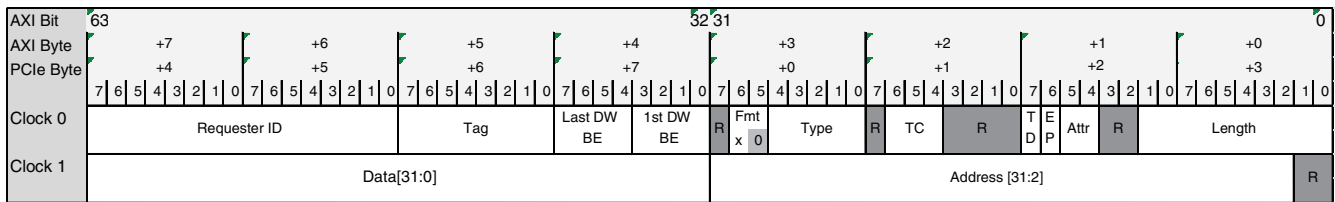


Figure 3-2: Endpoint Integrated Block Byte Order



IMPORTANT: Packets sent to the core for transmission must follow the formatting rules for transaction layer packets (TLPs) as specified in the “Transaction Layer Specification” chapter of the *PCI Express Base Specification*.

Note: The user application is responsible for ensuring the validity of its packets. The core does not check that a packet is correctly formed and this can result in transferring a malformed TLP. The exact fields of a given TLP vary depending on the type of packet being transmitted.

Transmitting Outbound Packets

Basic TLP Transmit Operation

The 7 Series FPGAs Integrated Block for PCI Express core automatically transmits these types of packets:

- Completions to a remote device in response to Configuration Space requests.
- Error-message responses to inbound requests that are malformed or unrecognized by the core.

Note: Certain unrecognized requests, for example, unexpected completions, can only be detected by the user application, which is responsible for generating the appropriate response.

The user application is responsible for constructing these types of outbound packets:

- Memory, Atomic Ops, and I/O Requests to remote devices.
- Completions in response to requests to the user application, for example, a Memory Read Request.

- Completions in response to user-implemented Configuration Space requests, when enabled. These requests include PCI™ legacy capability registers beyond address BFh and PCI Express extended capability registers beyond address 1FFh.

Note: For information about accessing user-implemented Configuration Space while in a low-power state, see [Power Management, page 134](#).

When configured as an Endpoint, the core notifies the user application of pending internally generated TLPs that arbitrate for the transmit datapath by asserting `tx_cfg_req` (1b). The user application can choose to give priority to core-generated TLPs by asserting `tx_cfg_gnt` (1b) permanently, without regard to `tx_cfg_req`. Doing so prevents User-Application-generated TLPs from being transmitted when a core-generated TLP is pending. Alternatively, the user application can reserve priority for a generated TLP over core-generated TLPs, by deasserting `tx_cfg_gnt` (0b) until the user transaction is complete. When the user transaction is complete, the user application can assert `tx_cfg_gnt` (1b) for at least one clock cycle to allow the pending core-generated TLP to be transmitted. You must not delay asserting `tx_cfg_gnt` indefinitely, because this might cause a completion timeout in the requester. See the *PCI Express Base Specification* [Ref 2] for more information on the Completion Timeout Mechanism.

The integrated block does not do any filtering on the Base/Limit registers (Root Port only). You are responsible for determining if filtering is required. These registers can be read out of the Type 1 Configuration Header space through the Configuration interface (see [Designing with Configuration Space Registers and Configuration Interface, page 105](#)).

[Table 2-9, page 16](#) defines the transmit user application signals. To transmit a TLP, the user application must perform this sequence of events on the transmit transaction interface:

1. The user application logic asserts `s_axis_tx_tvalid` and presents the first TLP QWORD on `s_axis_tx_tdata[63:0]`. If the core is asserting `s_axis_tx_tready`, the QWORD is accepted immediately; otherwise, the user application must keep the QWORD presented until the core asserts `s_axis_tx_tready`.
2. The user application asserts `s_axis_tx_tvalid` and presents the remainder of the TLP QWORDS on `s_axis_tx_tdata[63:0]` for subsequent clock cycles (for which the core asserts `s_axis_tx_tready`).
3. The user application asserts `s_axis_tx_tvalid` and `s_axis_tx_tlast` together with the last QWORD data. If all eight data bytes of the last transfer are valid, they are presented on `s_axis_tx_tdata[63:0]` and `s_axis_tx_tkeep` is driven to `0xFF`; otherwise, the four remaining data bytes are presented on `s_axis_tx_tdata[31:0]`, and `s_axis_tx_tkeep` is driven to `0x0F`.
4. At the next clock cycle, the user application deasserts `s_axis_tx_tvalid` to signal the end of valid transfers on `s_axis_tx_tdata[63:0]`.

[Figure 3-3](#) illustrates a 3-DW TLP header without a data payload; an example is a 32-bit addressable Memory Read request. When the user application asserts `s_axis_tx_tlast`,

it also places a value of 0x0F on s_axis_tx_tkeep, notifying the core that only s_axis_tx_tdata[31:0] contains valid data.

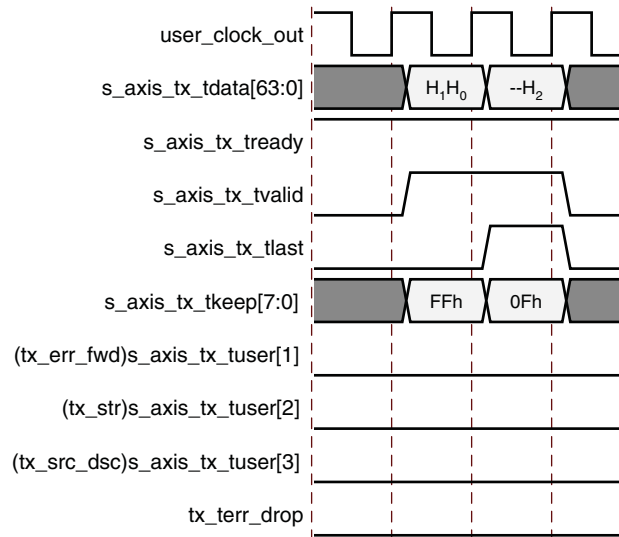


Figure 3-3: TLP 3-DW Header without Payload

Figure 3-4 illustrates a 4-DW TLP header without a data payload; an example is a 64-bit addressable Memory Read request. When the user application asserts s_axis_tx_tlast, it also places a value of 0xFF on s_axis_tx_tkeep, notifying the core that s_axis_tx_tdata[63:0] contains valid data.

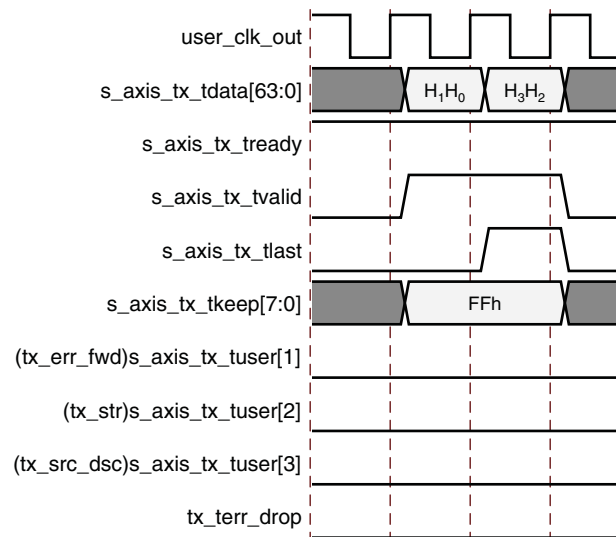


Figure 3-4: TLP with 4-DW Header without Payload

Figure 3-5 illustrates a 3-DW TLP header with a data payload; an example is a 32-bit addressable Memory Write request. When the user application asserts s_axis_tx_tlast,

it also puts a value of 0xFF on `s_axis_tx_tkeep`, notifying the core that `s_axis_tx_tdata[63:0]` contains valid data.

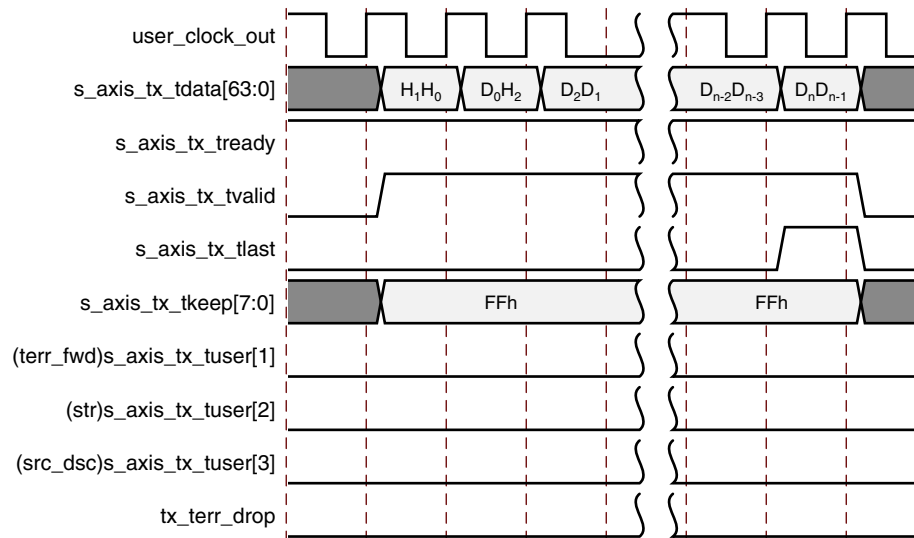


Figure 3-5: TLP with 3-DW Header with Payload

Figure 3-6 illustrates a 4-DW TLP header with a data payload; an example is a 64-bit addressable Memory Write request. When the user application asserts `s_axis_tx_tlast`, it also places a value of 0x0F on `s_axis_tx_tkeep`, notifying the core that only `s_axis_tx_tdata[31:0]` contains valid data.

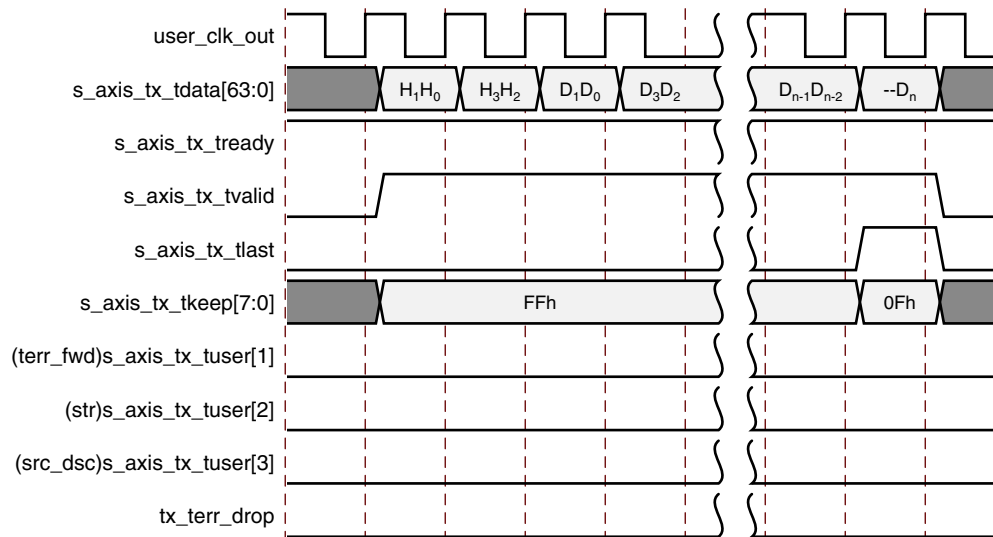


Figure 3-6: TLP with 4-DW Header with Payload

Presenting Back-to-Back Transactions on the Transmit Interface

The user application can present back-to-back TLPs on the transmit AXI4-Stream interface to maximize bandwidth utilization. Figure 3-7 illustrates back-to-back TLPs presented on the transmit interface. The user application keeps `s_axis_tx_tvalid` asserted and

presents a new TLP on the next clock cycle after asserting `s_axis_tx_tlast` for the previous TLP.

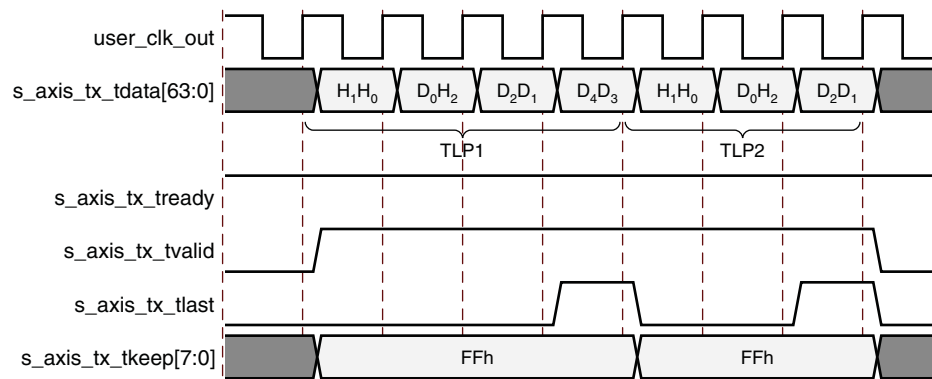


Figure 3-7: Back-to-Back Transaction on the Transmit Interface

Source Throttling on the Transmit Datapath

The transaction interface lets the user application throttle back if it has no data to present on `s_axis_tx_tdata[63:0]`. When this condition occurs, the user application deasserts `s_axis_tx_tvalid`, which instructs the core AXI4-Stream interface to disregard data presented on `s_axis_tx_tdata[63:0]`. Figure 3-8 illustrates the source throttling mechanism, where the user application does not have data to present every clock cycle, and for this reason must deassert `s_axis_tx_tvalid` during these cycles.

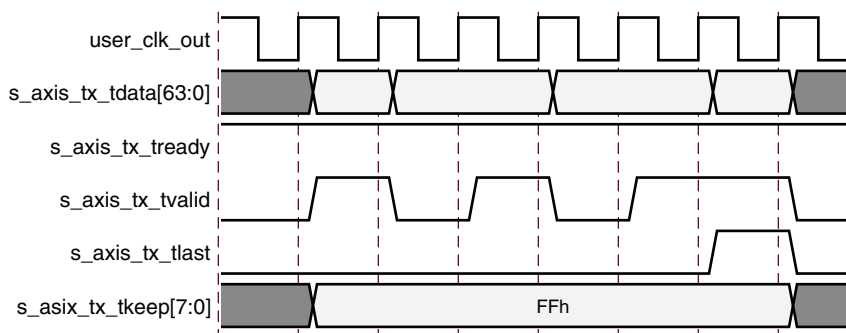


Figure 3-8: Source Throttling on the Transmit Interface

Destination Throttling of the Transmit Datapath

The core AXI4-Stream interface throttles the transmit user application if there is no space left for a new TLP in its transmit buffer pool. This can occur if the link partner is not processing incoming packets at a rate equal to or greater than the rate at which the user application is presenting TLPs. Figure 3-9 illustrates the deassertion of `s_axis_tx_tready` to throttle the user application when the internal transmit buffers of the core are full. If the core needs to throttle the user application, it does so after the current packet has completed. If another packet starts immediately after the current packet, the throttle occurs immediately after `tlast`.

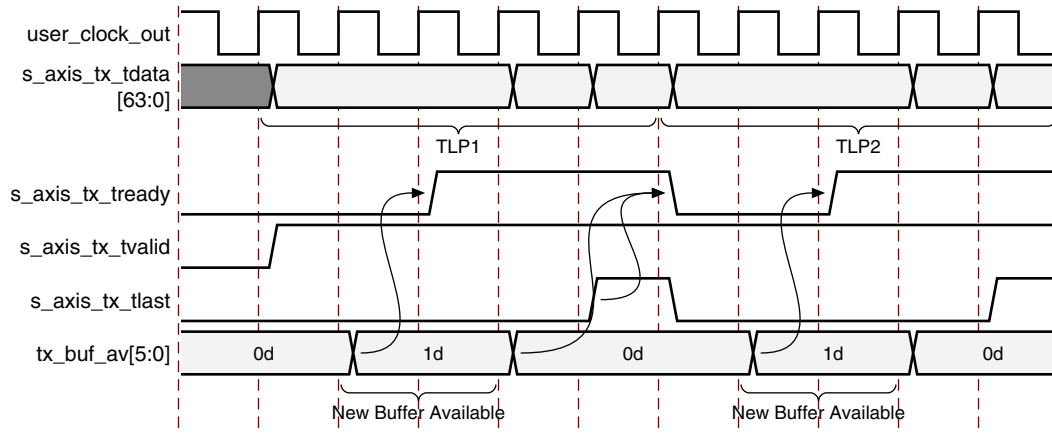


Figure 3-9: Destination Throttling on the Transmit Interface

If the core transmit AXI4-Stream interface accepts the start of a TLP by asserting `s_axis_tx_tready`, it is guaranteed to accept the complete TLP with a size up to the value contained in the `Max_Payload_Size` field of the PCI Express Device Capability Register (offset 04H). To stay compliant to the *PCI Express Base Specification* [Ref 2], you should not violate the `Max_Payload_Size` field of the PCI Express Device Control Register (offset 08H). The core transmit AXI4-Stream interface deasserts `s_axis_tx_tready` only under these conditions:

- The core does not have enough buffering if the packets are not drained due to lack of credits made available from the link partner.
- When the core is transmitting an internally generated TLP (Completion TLP because of a Configuration Read or Write, error Message TLP or error response as requested by the user application on the `cfg_err` interface), after it has been granted use of the transmit datapath by the user application, by assertion of `tx_cfg_gnt`. The core subsequently asserts `s_axis_tx_tready` after transmitting the internally generated TLP.
- When the Power State field in Power Management Control/Status Register (offset 0x4) of the PCI Power Management Capability Structure is changed to a non-D0 state. When this occurs, any ongoing TLP is accepted completely and `s_axis_tx_tready` is subsequently deasserted, disallowing the user application from initiating any new transactions for the duration that the core is in the non-D0 power state.

On deassertion of `s_axis_tx_tready` by the core, the user application needs to hold all control and data signals until the core asserts `s_axis_tx_tready`.

Discontinuing Transmission of Transaction by Source

The core AXI4-Stream interface lets the user application terminate transmission of a TLP by asserting `s_axis_tx_tuser[3]` (`tx_src_dsc`). Both `s_axis_tx_tvalid` and `s_axis_tx_tready` must be asserted together with `tx_src_dsc` for the TLP to be discontinued. The signal `tx_src_dsc` must not be asserted at the beginning of a new packet. It can be asserted on any cycle after the first beat of a new packet has been

accepted by the core up to and including the assertion of `s_axis_tx_tlast`. Asserting `src_dsc` has no effect if no TLP transaction is in progress on the transmit interface.

Figure 3-10 illustrates the user application discontinuing a packet using `tx_src_dsc`. Asserting `src_dsc` with `s_axis_tx_tlast` is optional.

If streaming mode is not used, `s_axis_tx_tuser[2] = 0b(tx_str)`, and the packet is discontinued, then the packet is discarded before being transmitted on the serial link. If streaming mode is used (`tx_str = 1b`), the packet is terminated with the EDB symbol on the serial link.

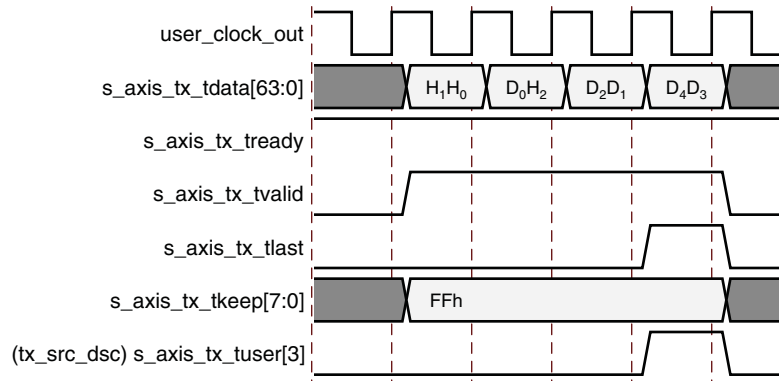


Figure 3-10: Source Driven Transaction Discontinue on the Transmit Interface

Discarding of Transaction by Destination

The core transmit AXI4-Stream interface discards a TLP for three reasons:

- PCI Express Link goes down.
- Presented TLP violates the `Max_Payload_Size` field of the PCI Express Device Capability Register (offset 04H). It is your responsibility to not violate the `Max_Payload_Size` field of the Device Control Register (offset 08H).
- `s_axis_tx_tuser[2] (tx_str)` is asserted and data is not presented on consecutive clock cycles, that is, `s_axis_tx_tvalid` is deasserted in the middle of a TLP transfer.

When any of these occur, the transmit AXI4-Stream interface continues to accept the remainder of the presented TLP and asserts `tx_err_drop` no later than the second clock cycle following the `s_axis_tx_tlast` of the discarded TLP. Figure 3-11 illustrates the core signaling that a packet was discarded using `tx_err_drop`.

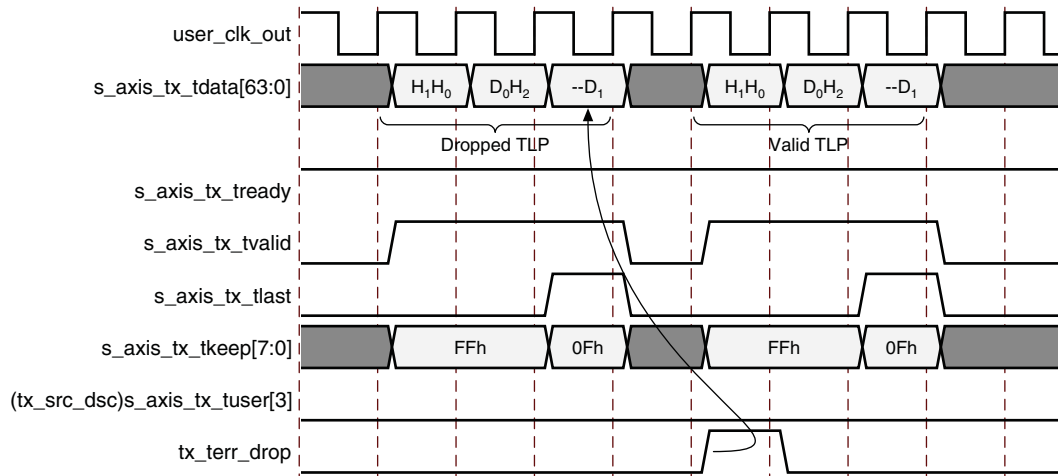


Figure 3-11: Discarding of Transaction by Destination of Transmit Interface

Packet Data Poisoning on the Transmit AXI4-Stream Interface

The user application uses either of these mechanisms to mark the data payload of a transmitted TLP as poisoned:

- Set EP = 1 in the TLP header. This mechanism can be used if the payload is known to be poisoned when the first DWORD of the header is presented to the core on the AXI4-Stream interface.
- Assert `s_axis_tx_tuser[1]` (`tx_err_fwd`) for at least one valid data transfer cycle any time during the packet transmission, as shown in Figure 3-12. This causes the core to set EP = 1 in the TLP header when it transmits the packet onto the PCI Express fabric. This mechanism can be used if the user application does not know whether a packet could be poisoned at the start of packet transmission. Use of `terr_fwd` is not supported for packets when `s_axis_tx_tuser[2]` (`tx_str`) is asserted (streamed transmit packets). In streaming mode, you can optionally discontinue the packet if it becomes corrupted. See [Discontinuing Transmission of Transaction by Source](#), page 52 for details on discontinuing packets.

When ECRC is being used, instead of setting the EP bit of the TLP to forward an error, the user application should nullify TLPs with errors by asserting the `src_dsc(s_axis_tx_tuser[3])` block input for the TLP and report the error using the `cfg_err` interface.

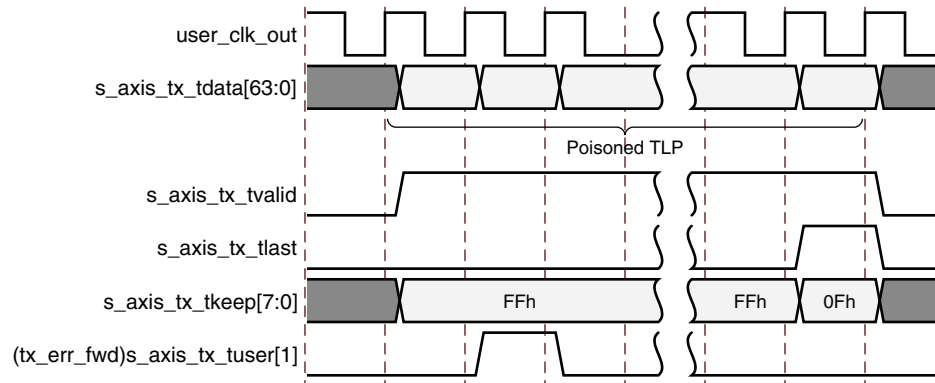


Figure 3-12: Packet Data Poisoning on the Transmit Interface

Streaming Mode for Transactions on the Transmit Interface

The 7 Series FPGAs Integrated Block for PCI Express core allows the user application to enable Streaming (cut-through) mode for transmission of a TLP, when possible, to reduce latency of operation. To enable this feature, the user application must hold `s_axis_tx_tuser[2]` (`tx_str`) asserted for the entire duration of the transmitted TLP. The user application must also present valid frames on every clock cycle until the final cycle of the TLP. In other words, the user application must not deassert `s_axis_tx_tvalid` for the duration of the presented TLP. Source throttling of the transaction while in streaming mode of operation causes the transaction to be dropped (`tx_err_drop` is asserted) and a nullified TLP to be signaled on the PCI Express link. Figure 3-13 illustrates the streaming mode of operation, where the first TLP is streamed and the second TLP is dropped because of source throttling.

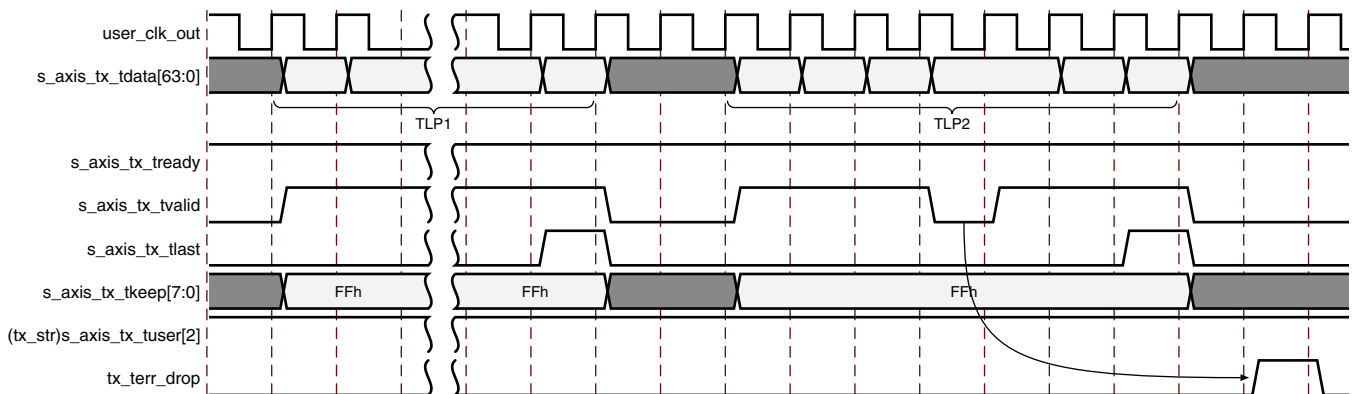


Figure 3-13: Streaming Mode on the Transmit Interface

Using ECRC Generation

The integrated block supports automatic ECRC generation. To enable this feature, the user application must assert `s_axis_tx_tuser[0]` (`tx_ecrc_gen`) at the beginning of a TLP on the transmit AXI4-Stream interface. This signal can be asserted through the duration of the packet, if desired. If the outgoing TLP does not already have a digest, the core generates and appends one and sets the TD bit. There is a single-clock cycle deassertion of

`s_axis_tx_tready` at the end-of-packet to allow for insertion of the digest. Figure 3-14 illustrates ECRC generation operation.

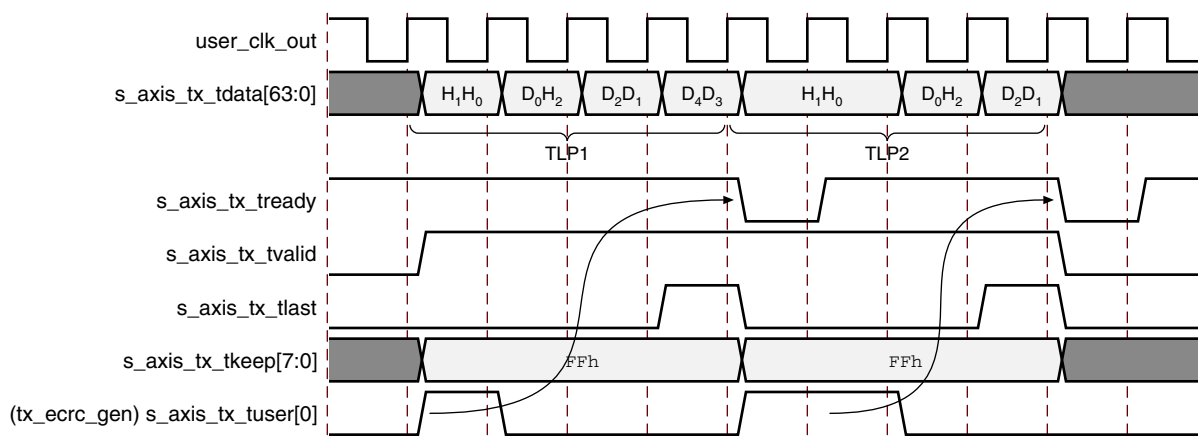


Figure 3-14: ECRC Generation

Receiving Inbound Packets

Basic TLP Receive Operation

Table 2-10, page 19 defines the receive AXI4-Stream interface signals. This sequence of events must occur on the receive AXI4-Stream interface for the Endpoint core to present a TLP to the user application logic:

1. When the user application is ready to receive data, it asserts `m_axis_rx_tready`.
2. When the core is ready to transfer data, the core asserts `m_axis_rx_tvalid` and presents the first complete TLP QWORD on `m_axis_rx_tdata[63:0]`.
3. The core keeps `m_axis_rx_tvalid` asserted, and presents TLP QWORDS on `m_axis_rx_tdata[63:0]` on subsequent clock cycles (provided the user application logic asserts `m_axis_rx_tready`).
4. The core then asserts `m_axis_rx_tvalid` with `m_axis_rx_tlast` and presents either the last QWORD on `s_axis_tx_tdata[63:0]` and a value of `0xFF` on `m_axis_rx_tkeep` or the last DWORD on `s_axis_tx_tdata[31:0]` and a value of `0x0F` on `m_axis_rx_tkeep`.
5. If no further TLPs are available at the next clock cycle, the core deasserts `m_axis_rx_tvalid` to signal the end of valid transfers on `m_axis_rx_tdata[63:0]`.

Note: The user application should ignore any assertions of `m_axis_rx_tlast`, `m_axis_rx_tkeep`, and `m_axis_rx_tdata` unless `m_axis_rx_tvalid` is concurrently asserted. The `m_axis_rx_tvalid` signal is never deasserted mid-packet.

Figure 3-15 shows a 3-DW TLP header without a data payload; an example is a 32-bit addressable Memory Read request. When the core asserts `m_axis_rx_tlast`, it also

places a value of 0x0F on `m_axis_rx_tkeep`, notifying you that only `m_axis_rx_tdata[31:0]` contains valid data.



Figure 3-15: TLP 3-DW Header without Payload

Figure 3-16 shows a 4-DW TLP header without a data payload; an example is a 64-bit addressable Memory Read request. When the core asserts `m_axis_rx_tlast`, it also places a value of 0xFF on `m_axis_rx_tkeep`, notifying you that `m_axis_rx_tdata[63:0]` contains valid data.

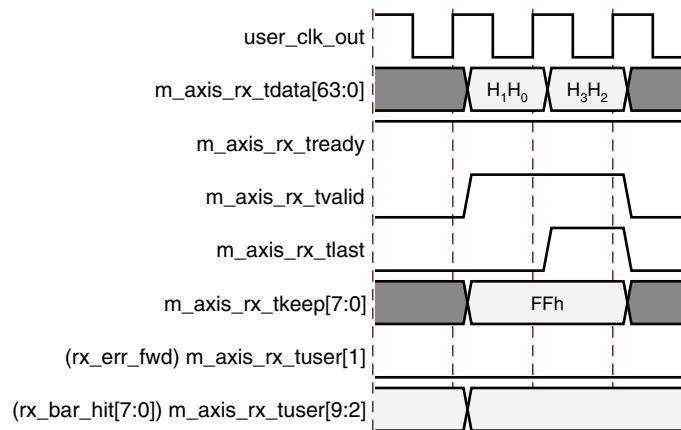


Figure 3-16: TLP 4-DW Header without Payload

Figure 3-17 shows a 3-DW TLP header with a data payload; an example is a 32-bit addressable Memory Write request. When the core asserts `m_axis_rx_tlast`, it also places a value of 0xFF on `m_axis_rx_tkeep`, notifying you that `m_axis_rx_tdata[63:0]` contains valid data.

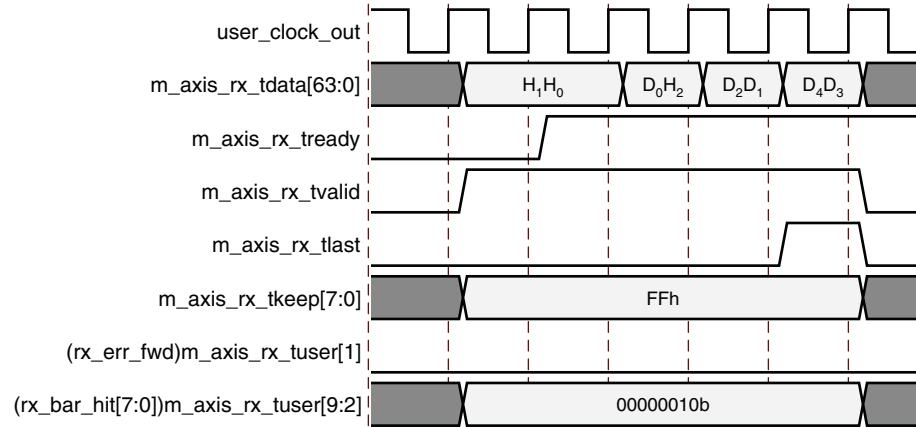


Figure 3-17: TLP 3-DW Header with Payload

Figure 3-18 shows a 4-DW TLP header with a data payload; an example is a 64-bit addressable Memory Write request. When the core asserts `m_axis_rx_tlast`, it also places a value of `0x0F` on `m_axis_rx_tkeep`, notifying you that only `m_axis_rx_tdata[31:0]` contains valid data.

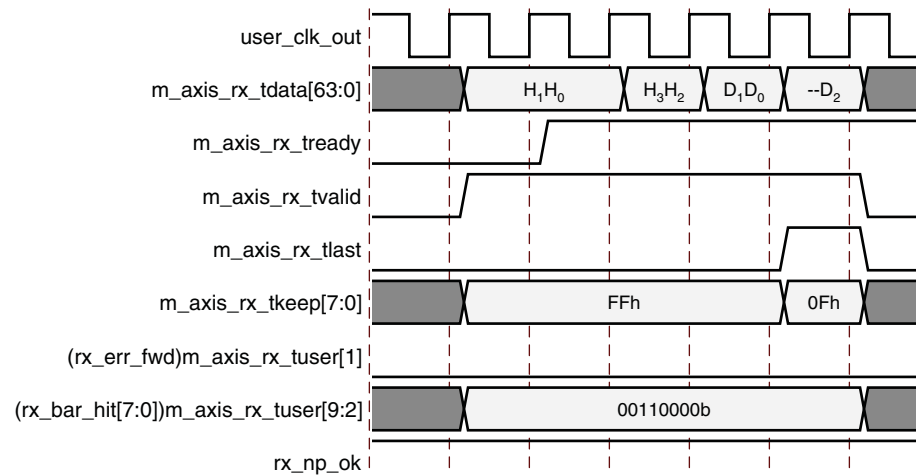


Figure 3-18: TLP 4-DW Header with Payload

Throttling the Datapath on the Receive AXI4-Stream Interface

The user application can stall the transfer of data from the core at any time by deasserting `m_axis_rx_tready`. If you deassert `m_axis_rx_tready` while no transfer is in progress and if a TLP becomes available, the core asserts `m_axis_rx_tvalid` and presents the first TLP QWORD on `m_axis_rx_tdata[63:0]`. The core remains in this state until you assert `m_axis_rx_tready` to signal the acceptance of the data presented on `m_axis_rx_tdata[63:0]`. At that point, the core presents subsequent TLP QWORDS as long as `m_axis_rx_tready` remains asserted. If you deassert `m_axis_rx_tready` during the middle of a transfer, the core stalls the transfer of data until you assert `m_axis_rx_tready` again. There is no limit to the number of cycles you can keep

`m_axis_rx_tready` deasserted. The core pauses until the user application is again ready to receive TLPs.

Figure 3-19 illustrates the core asserting `m_axis_rx_tvalid` along with presenting data on `m_axis_rx_tdata[63:0]`. The user application logic inserts wait states by deasserting `m_axis_rx_tready`. The core does not present the next TLP QWORD until it detects `m_axis_rx_tready` assertion. The user application logic can assert or deassert `m_axis_rx_tready` as required to balance receipt of new TLP transfers with the rate of TLP data processing inside the application logic.

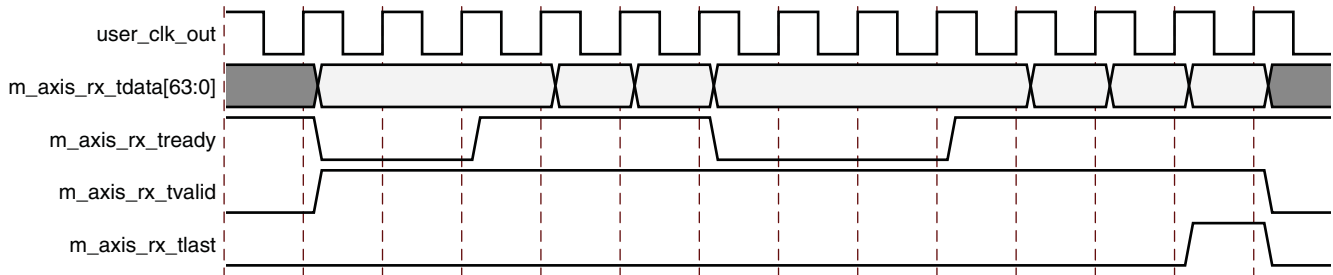


Figure 3-19: User Application Throttling Receive TLP

Receiving Back-to-Back Transactions on the Receive Interface

The user application logic must be designed to handle presentation of back-to-back TLPs on the receive AXI4-Stream interface by the core. The core can assert `m_axis_rx_tvalid` for a new TLP at the clock cycle after `m_axis_rx_tlast` assertion for the previous TLP. Figure 3-20 illustrates back-to-back TLPs presented on the receive interface.

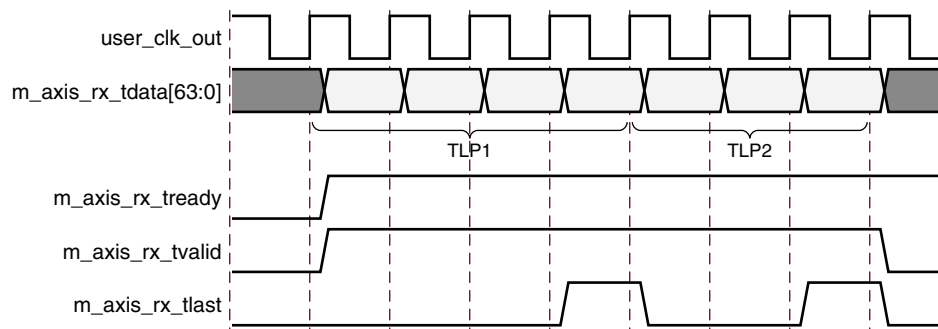


Figure 3-20: Receive Back-to-Back Transactions

If the user application cannot accept back-to-back packets, it can stall the transfer of the TLP by deasserting `m_axis_rx_tready` as discussed in the [Throttling the Datapath on the Receive AXI4-Stream Interface](#) section. Figure 3-21 shows an example of using `m_axis_rx_tready` to pause the acceptance of the second TLP.

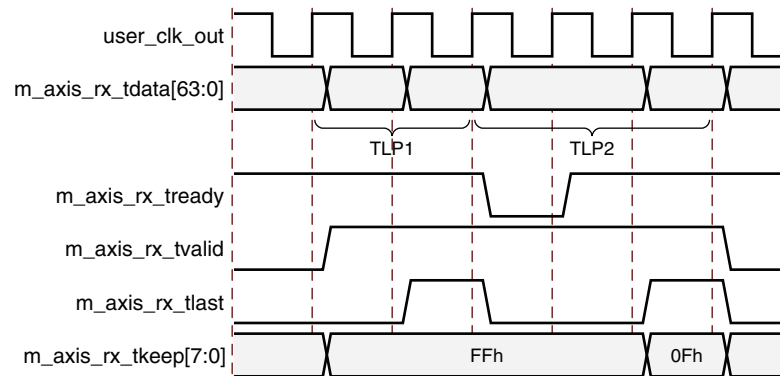


Figure 3-21: User Application Throttling Back-to-Back TLPs

Packet Re-ordering on Receive Interface

Transaction processing in the core receiver is fully compliant with the PCI transaction ordering rules, described in Chapter 2 of the *PCI Express Base Specification* [Ref 2]. The transaction ordering rules allow Posted and Completion TLPs to bypass blocked Non-Posted TLPs.

The core provides two mechanisms for user applications to manage their Receiver Non-Posted Buffer space.

1. **Receive Non-Posted Throttling:** The use of `rx_np_ok` to prevent the core from presenting more than two Non-Posted requests after deassertion of the `rx_np_ok` signal. The second mechanism,
2. **Receive Request for Non-Posted:** Allows user-controlled Flow Control of the Non-Posted queue, using the `rx_np_req` signal.

The Receive Non-Posted Throttling mechanism assumes that the user application normally has space in its receiver for non-Posted TLPs and the user application would throttle the core specifically for Non-Posted requests. The Receive Request for Non-Posted mechanism assumes that the user application requests the core to present a Non-Posted TLP when it has space in its receiver. The two mechanisms are mutually exclusive, and only one can be active for a design. This option must be selected while generating and customizing the core. When the Receive Non-Posted Request option is selected in the Advanced Settings, the Receive Request for Non-Posted mechanism is enabled and any assertion/deassertion of `rx_np_ok` is ignored and vice-versa. The two mechanisms are described in further detail in the next subsections.

- **Receive Non-Posted Throttling (Receive Non-Posted Request Disabled, TRN_NP_FC attribute FALSE)**

If the user application can receive Posted and Completion Transactions from the core, but is not ready to accept Non-Posted Transactions, the user application can deassert `rx_np_ok`, as shown in Figure 3-22. The user application must deassert `rx_np_ok` at least two clock cycles before `m_axis_rx_tlast` of the second-to-last Non-Posted TLP

that the user application can accept. While `rx_np_ok` is deasserted, received Posted and Completion Transactions pass Non-Posted Transactions. After the user application is ready to accept Non-Posted Transactions, it must reassert `rx_np_ok`. Previously bypassed Non-Posted Transactions are presented to the user application before other received TLPs. There is no limit as to how long `rx_np_ok` can be deasserted; however, you must take care to not deassert `rx_np_ok` for extended periods, because this can cause a completion timeout in the Requester. See the *PCI Express Base Specification* for more information on the Completion Timeout Mechanism.

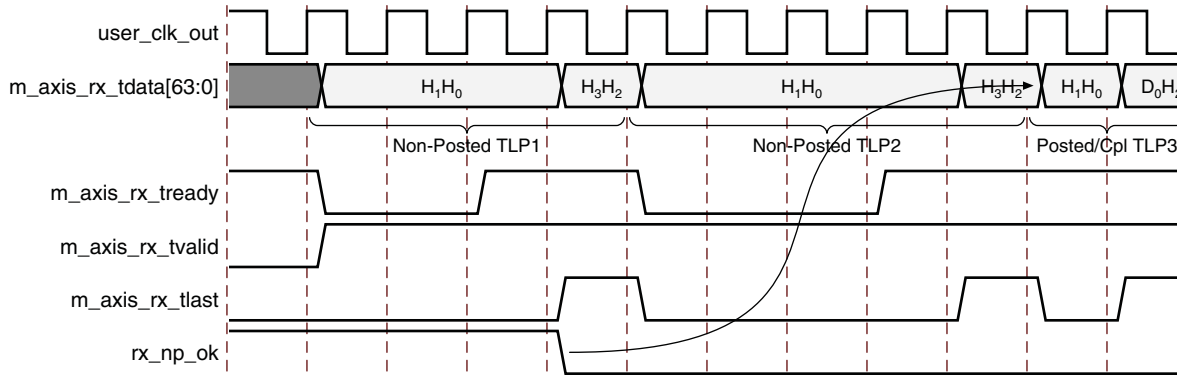


Figure 3-22: Receive Interface Non-Posted Throttling

Packet re-ordering allows the user application to optimize the rate at which Non-Posted TLPs are processed, while continuing to receive and process Posted and Completion TLPs in a non-blocking fashion. The `rx_np_ok` signaling restrictions require that the user application be able to receive and buffer at least three Non-Posted TLPs. This algorithm describes the process of managing the Non-Posted TLP buffers:

Consider that `Non-Posted_Buffers_Available` denotes the size of Non-Posted buffer space available to the user application. The size of the Non-Posted buffer space is greater than three Non-Posted TLPs. `Non-Posted_Buffers_Available` is decremented when Non-Posted TLP is accepted for processing from the core, and is incremented when Non-Posted TLP is drained for processing by the user application.

```

For every clock cycle do {
  if (Non-Posted_Buffers_Available <= 3) {
    if (Valid transaction Start-of-Frame accepted by user application) {
      Extract TLP Format and Type from the 1st TLP DW
      if (TLP type == Non-Posted) {
        Deassert rx_np_ok on the following clock cycle
        - or -
        Other optional user policies to stall NP transactions
      } else {
      }
    }
  } else { // Non-Posted_Buffers_Available > 3
    Assert rx_np_ok on the following clock cycle.
  }
}

```

- **Receive Request for Non-Posted (Receive Non-Posted Request Enabled, TRN_NP_FC attribute TRUE)**

The 7 Series FPGAs Integrated Block for PCI Express allows the user application to control Flow Control Credit return for the Non-Posted queue using the `rx_np_req` signal. When the user application has space in its receiver to receive a Non-Posted Transaction, it must assert `rx_np_req` for one clock cycle for every Non-Posted Transaction that the user application can accept. This enables the integrated block to present one Non-Posted transaction from its receiver queues to the core transaction interface, as shown in Figure 3-23 and return one Non-Posted Credit to the connected Link partner.

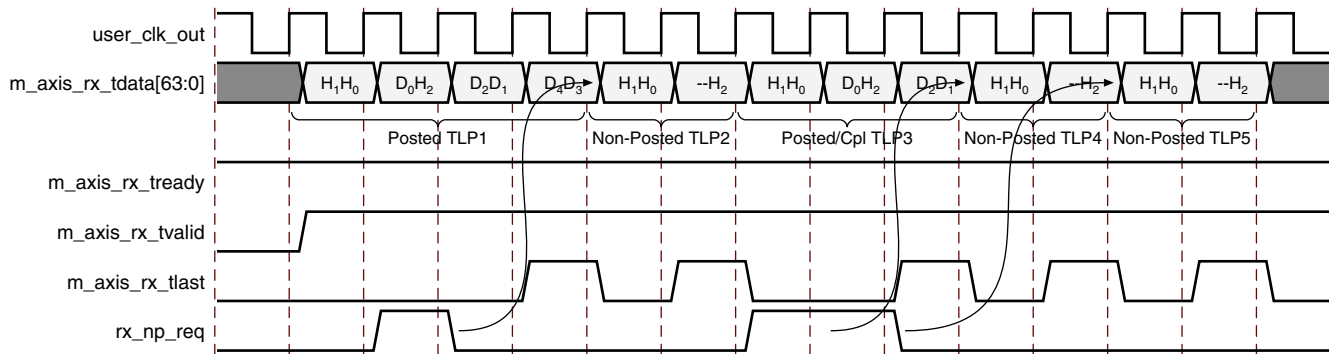


Figure 3-23: Receive Interface Request for Non-Posted Transaction

The core maintains a count of up to 12 Non-Posted Requests from the user application. In other words, the core remembers assertions of `rx_np_req` even if no Non-Posted TLPs are present in the receive buffer and presents received Non-Posted TLPs to the user application, if requests have been previously made by the user application. If the core has no outstanding requests from the user application and received Non-Posted TLPs are waiting in the receive buffer, received Posted and Completion Transactions pass the waiting Non-Posted Transactions.

When the user application is ready to accept a Non-Posted TLP, asserting `rx_np_req` for one or more cycles causes that number of waiting Non-Posted TLPs to be delivered at the next available TLP boundary. In other words, any Posted or Completion TLP currently on the user application interface finishes before waiting Non-Posted TLPs are presented to the user application. If there are no Posted or Completion TLPs and a Non-Posted TLP is waiting, asserting `rx_np_req` causes the Non-Posted TLP to be presented to the user application. TLPs are delivered to the user application in order except when you are throttling Non-Posted TLPs, allowing Posted and Completion TLPs to pass. When the user application starts accepting Non-Posted TLPs again, ordering is still maintained with any subsequent Posted or Completion TLPs. If the user application can accept all Non-Posted Transactions as they are received and does not care about controlling the Flow Control Credit return for the Non-Posted queue, keep this signal asserted.

Packet Data Poisoning and TLP Digest on the 64-Bit Receive AXI4-Stream Interface

To simplify logic within the user application, the core performs automatic pre-processing based on values of TLP Digest (TD) and Data Poisoning (EP) header bit fields on the received TLP.

All received TLPs with the Data Poisoning bit in the header set (EP = 1) are presented to the user application. The core asserts the (rx_err_fwd) m_axis_rx_tuser[1] signal for the duration of each poisoned TLP, as illustrated in Figure 3-24.

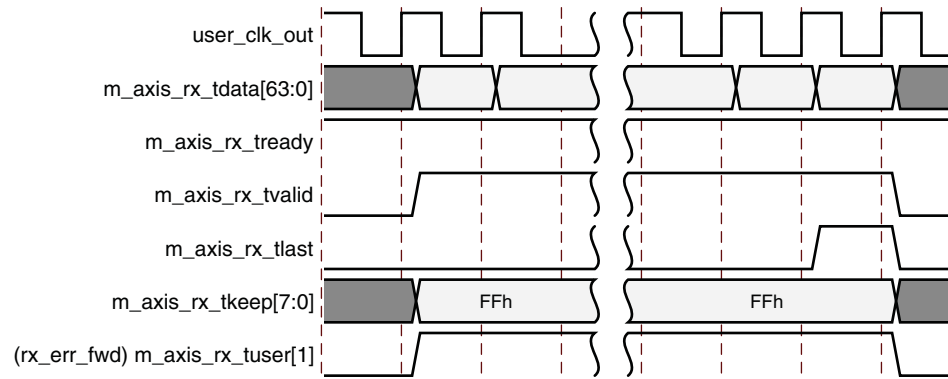


Figure 3-24: Receive Transaction Data Poisoning

If the TLP Digest bit field in the TLP header is set (TD = 1), the TLP contains an End-to-End CRC (ECRC). The core performs these operations based on how you configured the core during core generation. If the **Trim TLP Digest** option is:

- On: the core removes and discards the ECRC field from the received TLP and clears the TLP Digest bit in the TLP header.
- Off: the core does not remove the ECRC field from the received TLP and presents the entire TLP including TLP Digest to the user application receiver interface.

See [ECRC, page 228](#) for more information about how to enable the Trim TLP Digest option during core generation.

ECRC Error on the 64-Bit Receive AXI4-Stream Interface

The 7 Series FPGAs Integrated Block for PCI Express core checks the ECRC on incoming transaction packets, when ECRC checking is enabled in the core. When it detects an ECRC error in a transaction packet, the core signals this error by simultaneously asserting m_axis_rx_tuser[0] (rx_ecrc_err) and m_axis_rx_tlast, as illustrated in Figure 3-25.

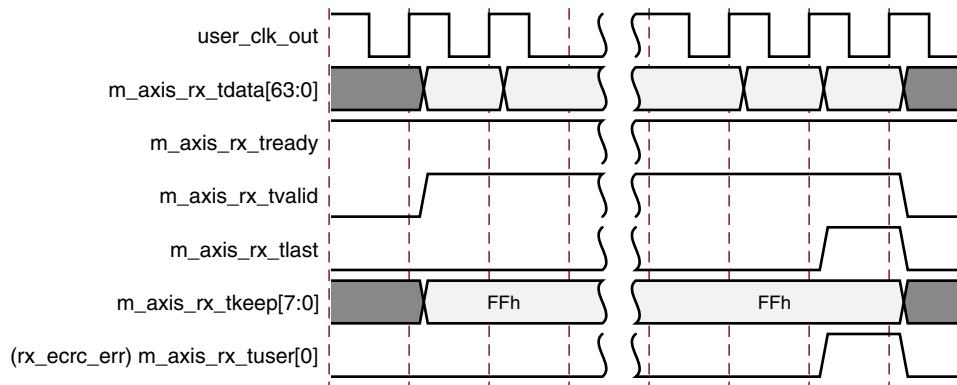


Figure 3-25: ECRC Error on 64-Bit Receive AXI4-Stream Interface

Packet Base Address Register Hit on the Receive AXI4-Stream Interface

The 7 Series FPGAs Integrated Block for PCI Express in Root Port configuration does not perform any BAR decoding/filtering.

In Endpoint configuration, the core decodes incoming Memory and I/O TLP request addresses to determine which Base Address Register (BAR) in the core Type0 configuration space is being targeted, and indicates the decoded base address on `m_axis_rx_tuser[9:2]` (`rx_bar_hit[7:0]`). For each received Memory or I/O TLP, a minimum of one bit and a maximum of two (adjacent) bits are set to 1b. If the received TLP targets a 32-bit Memory or I/O BAR, only one bit is asserted. If the received TLP targets a 64-bit Memory BAR, two adjacent bits are asserted. If the core receives a TLP that is not decoded by one of the BARs (that is, a misdirected TLP), then the core drops it without notification and it automatically generates an Unsupported Request message. Even if the core is configured for a 64-bit BAR, the system might not always allocate a 64-bit address, in which case only `onerxbar_hit[7:0]` signal is asserted. Overlapping BAR apertures are not allowed.

Table 3-1 illustrates mapping between `rx_bar_hit[7:0]` and the BARs, and the corresponding byte offsets in the core Type0 configuration header.

Table 3-1: Base Address Register Mapping

<code>rx_bar_hit[x]</code>	<code>m_axis_rx_tuser[x]</code>	BAR	Byte Offset
0	2	0	10h
1	3	1	14h
2	4	2	18h
3	5	3	1Ch
4	6	4	20h
5	7	5	24h
6	8	Expansion ROM BAR	30h
7	9	Reserved	–

For a Memory or I/O TLP Transaction on the receive interface, $(rx_bar_hit[7:0])$ $m_axis_rx_tuser[9:2]$ is valid for the entire TLP, starting with the assertion of $m_axis_rx_tvalid$, as shown in Figure 3-26. When receiving non-Memory and non-I/O transactions, signal $rx_bar_hit[7:0]$ is undefined.

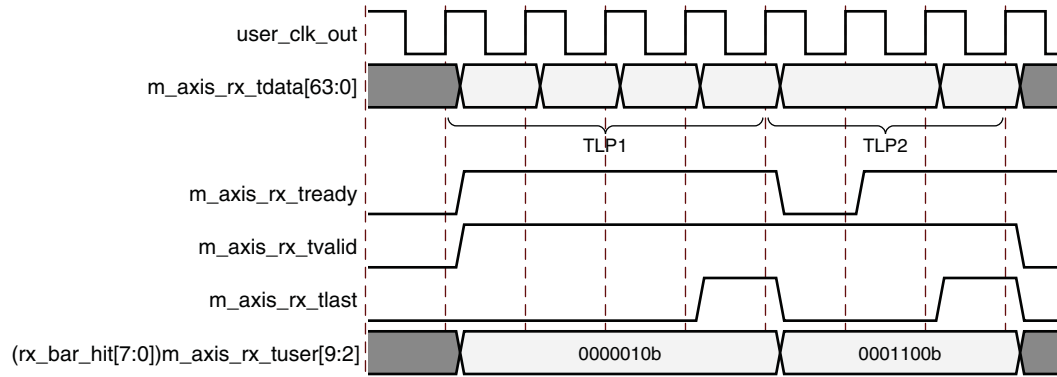


Figure 3-26: BAR Target Determination Using rx_bar_hit

The $(rx_bar_hit[7:0])$ $m_axis_rx_tuser[9:2]$ signal enables received Memory and I/O transactions to be directed to the appropriate destination apertures within the user application. By utilizing $rx_bar_hit[7:0]$, application logic can inspect only the lower order Memory and I/O address bits within the address aperture to simplify decoding logic.

Packet Transfer During Link-Down Event on Receive AXI4-Stream Interface

The loss of communication with the link partner is signaled by deassertion of $user_lnk_up$. When $user_lnk_up$ is deasserted, it effectively acts as a Hot Reset to the entire core. For this reason, all TLPs stored inside the core or being presented to the receive interface are irrecoverably lost. A TLP in progress on the Receive AXI4-Stream interface is presented to its correct length, according to the Length field in the TLP header. However, the TLP is corrupt and should be discarded by the user application. Figure 3-27 illustrates the packet transfer discontinue scenario.

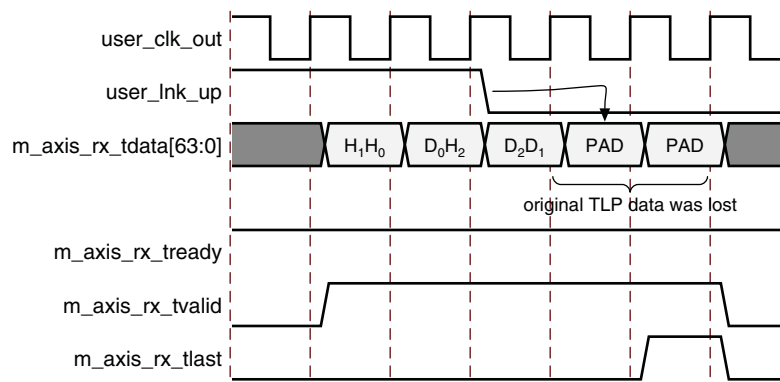


Figure 3-27: Receive Transaction Discontinue

Designing with the 128-Bit Transaction Layer Interface

Note: The transaction interface width and frequency never change with a lane width/speed upconfigure or downconfigure.

TLP Format in the AXI4-Stream Interface

Data is transmitted and received in Big-Endian order as required by the *PCI Express Base Specification* [Ref 2]. See Chapter 2 of the *PCI Express Base Specification* for detailed information about TLP packet ordering. Figure 3-28 represents a typical 32-bit addressable Memory Write Request TLP (as illustrated in Chapter 2 of the specification).

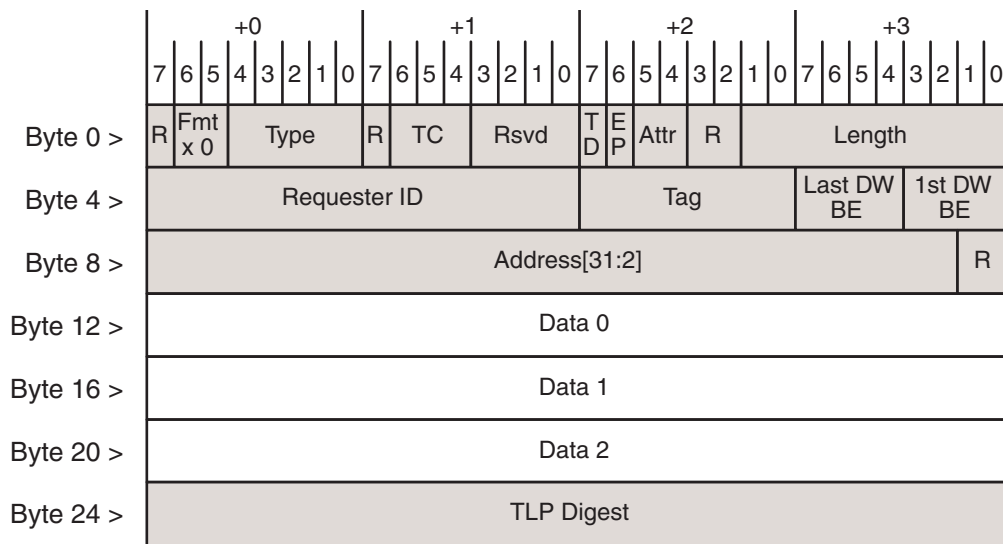


Figure 3-28: PCI Express Base Specification Byte Order

When using the transaction interface, packets are arranged on the entire 128-bit datapath. Figure 3-29 shows the same example packet on the AXI4-Stream interface. PCIe Byte 0 of the packet appears on `s_axis_tx_tdata[31:24]` (transmit) or `m_axis_rx_tdata[31:24]` (receive) of the first DWORD, byte 1 on `s_axis_tx_tdata[23:16]` or `m_axis_rx_tdata[23:16]`. The Header section of the packet consists of either three or four DWORDs, determined by the TLP format and type as described in section 2.2 of the *PCI Express Base Specification*.

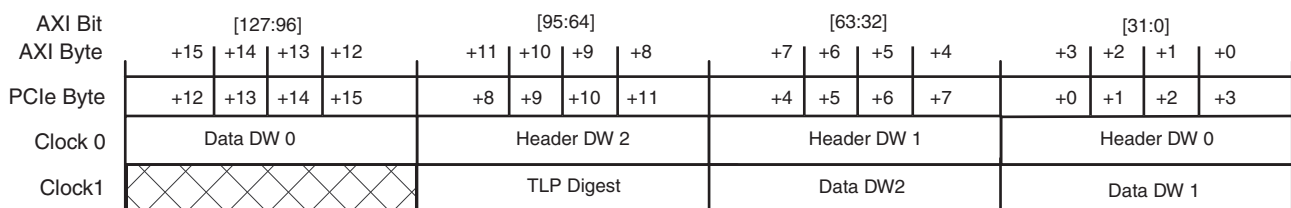


Figure 3-29: Endpoint Integrated Block Byte Order



IMPORTANT: *Packets sent to the core for transmission must follow the formatting rules for transaction layer packets (TLPs) as specified in Chapter 2 of the PCI Express Base Specification.*

The user application is responsible for ensuring the validity of the packets. The core does not check that a packet is correctly formed and this can result in transferring a malformed TLP. The exact fields of a given TLP vary depending on the type of packet being transmitted.

Transmitting Outbound Packets

Basic TLP Transmit Operation

The 7 Series FPGAs Integrated Block for PCI Express core automatically transmits these types of packets:

- Completions to a remote device in response to Configuration Space requests.
- Error-message responses to inbound requests that are malformed or unrecognized by the core.

Note: Certain unrecognized requests, for example, unexpected completions, can only be detected by the user application, which is responsible for generating the appropriate response.

The user application is responsible for constructing these types of outbound packets:

- Memory, Atomic Ops, and I/O Requests to remote devices.
- Completions in response to requests to the user application, for example, a Memory Read Request.

When configured as an Endpoint, the core notifies the user application of pending internally generated TLPs that arbitrate for the transmit datapath by asserting `tx_cfg_req` (1b). The user application can choose to give priority to core-generated TLPs by asserting `tx_cfg_gnt` (1b) permanently, without regard to `tx_cfg_req`. Doing so prevents User-Application-generated TLPs from being transmitted when a core-generated TLP is pending. Alternatively, the user application can reserve priority for a user application-generated TLP over core-generated TLPs, by deasserting `tx_cfg_gnt` (0b) until the transaction is complete. After the transaction is complete, the user application can assert `tx_cfg_gnt` (1b) for at least one clock cycle to allow the pending core-generated TLP to be transmitted. You must not delay asserting `tx_cfg_gnt` indefinitely, because this might cause a completion timeout in the Requester. See the *PCI Express Base Specification* for more information on the Completion Timeout Mechanism.

- The integrated block does not do any filtering on the Base/Limit registers (Root Port only). You are responsible for determining if filtering is required. These registers can be read out of the Type 1 Configuration Header space through the Configuration interface (see [Designing with Configuration Space Registers and Configuration Interface, page 105](#)).

Table 2-9, page 16 defines the transmit user application signals. To transmit a TLP, the user application must perform this sequence of events on the transmit AXI4-Stream interface:

1. The user application logic asserts `s_axis_tx_tvalid`, and presents the first TLP Double-Quad Word (DQWORD = 128 bits) on `s_axis_tx_tdata[127:0]`. If the core is asserting `s_axis_tx_tready`, the DQWORD is accepted immediately; otherwise, the user application must keep the DQWORD presented until the core asserts `s_axis_tx_tready`.
2. The user application asserts `s_axis_tx_tvalid` and presents the remainder of the TLP DQWORDS on `s_axis_tx_tdata[127:0]` for subsequent clock cycles (for which the core asserts `s_axis_tx_tready`).
3. The user application asserts `s_axis_tx_tvalid` and `s_axis_tx_tlast` together with the last DQWORD data. You must ensure that the strobe field is selected for the final data cycle to create a packet of length equivalent to the length field in the packet header. For more information on the `s_axis_tx_tkeep[15:0]` signaling, see Table 3-2 and Table 3-3.
4. At the next clock cycle, the user application deasserts `s_axis_tx_tvalid` to signal the end of valid transfers on `s_axis_tx_tdata[127:0]`.

This section uses the notation H_n and D_n to denote Header QW_n and Data QW_n , respectively. Table 3-2 lists the possible single-cycle packet signaling where `s_axis_tx_tlast` is asserted in the same cycle.

Table 3-2: TX: EOF Scenarios, Single Cycle

	s_axis_tx_tdata[127:0]		
	H3 H2 H1 H0	-- H2 H1 H0	D0 H2 H1 H0
s_axis_tx_tlast	1	1	1
s_axis_tx_tkeep[15:0]	0xFFFF	0x0FFF	0xFFFF

Table 3-3 lists the possible signaling for ending a multicycle packet. If a packet ends in the lower QW of the data bus, the next packet cannot start in the upper QW of that beat. All packets must start in the lowest DW of the data bus in a new beat. The `s_axis_tx_tkeep[15:0]` signal indicates which DQWORD of the data bus contains end-of-frame (EOF).

Table 3-3: TX: EOF Scenarios, Multicycle

	s_axis_tx_tdata[127:0]			
	D3 D2 D1 D0	-- D2 D1 D0	-- -- D1 D0	-- -- -- D0
s_axis_tx_tlast	1	1	1	1
s_axis_tx_tkeep[15:0]	0xFFFF	0x0FFF	0x00FF	0x000F

Figure 3-30 illustrates a 3-DW TLP header without a data payload; an example is a 32-bit addressable Memory Read request. When the user application asserts `s_axis_tx_tlast`,

it also places a value of 0x0FFF on s_axis_tx_tkeep[15:0], notifying the core that only s_axis_tx_tdata[95:0] contains valid data.

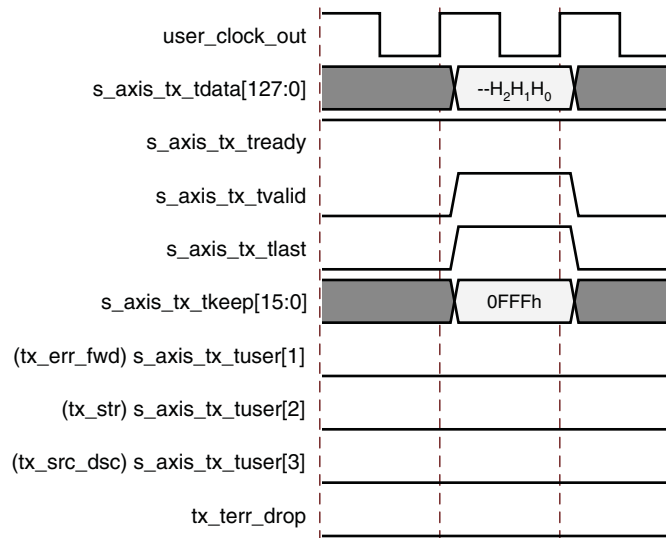


Figure 3-30: TLP 3-DW Header without Payload

Figure 3-31 illustrates a 4-DW TLP header without a data payload; an example is a 64-bit addressable Memory Read request. When the user application asserts s_axis_tx_tlast, it also places a value of 0xFFFF on s_axis_tx_tkeep[15:0] notifying the core that s_axis_tx_tdata[127:0] contains valid data and the EOF occurs in the upper-most DW.

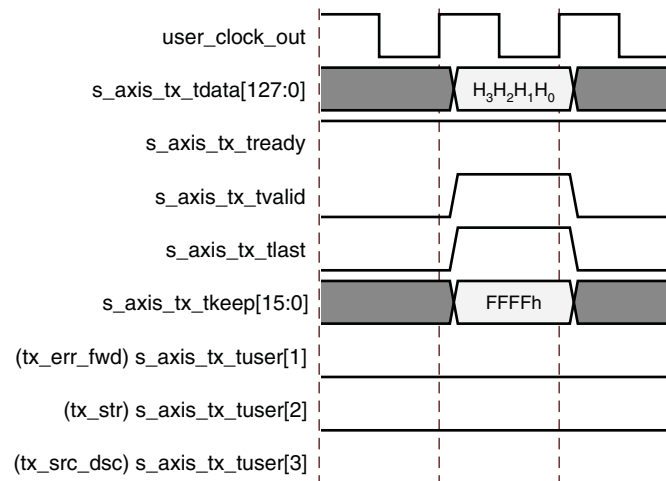


Figure 3-31: TLP with 4-DW Header without Payload

Figure 3-32 illustrates a 3-DW TLP header with a data payload; an example is a 32-bit addressable Memory Write request. When the user application asserts s_axis_tx_tlast, it also puts a value of 0x0FFF on s_axis_tx_tkeep[15:0] notifying the core that s_axis_tx_tdata[95:0] contains valid data and the EOF occurs in DWORD 2.

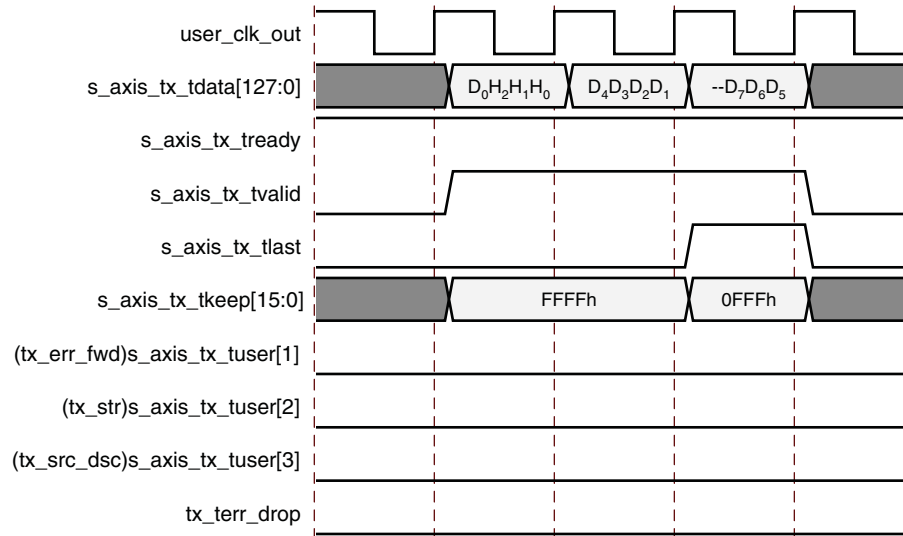


Figure 3-32: TLP with 3-DW Header with Payload

Figure 3-33 illustrates a 4-DW TLP header with a data payload. When the user application asserts `s_axis_tx_tlast`, it also places a value of `0x00FF` on `s_axis_tx_tkeep[15:0]`, notifying the core that only `s_axis_tx_tdata[63:0]` contains valid data.

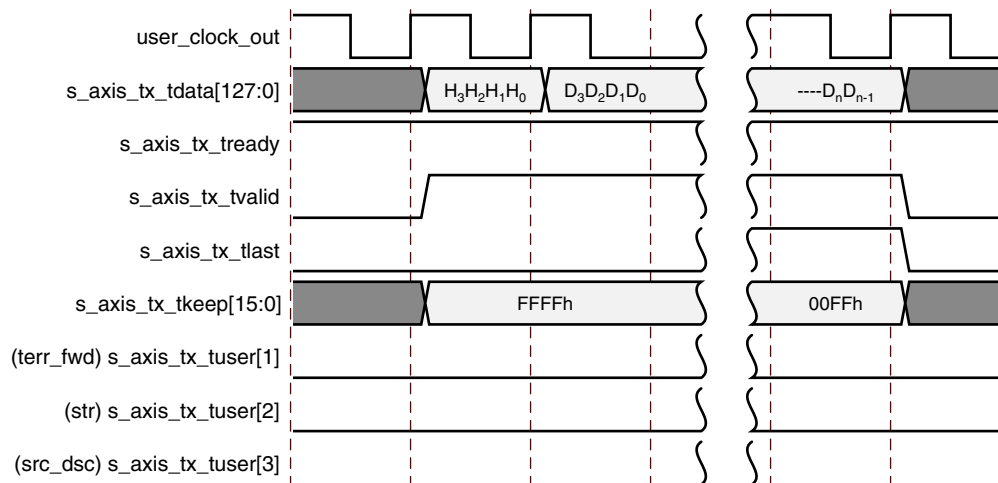


Figure 3-33: TLP with 4-DW Header with Payload

Presenting Back-to-Back Transactions on the Transmit Interface

The user application can present back-to-back TLPs on the transmit AXI4-Stream interface to maximize bandwidth utilization. Figure 3-34 illustrates back-to-back TLPs presented on the transmit interface, with the restriction that all TLPs must start in the lowest DW of the data bus [31:0]. The user application keeps `s_axis_tx_tvalid` asserted and presents a new TLP on the next clock cycle after asserting `s_axis_tx_tlast` for the previous TLP.

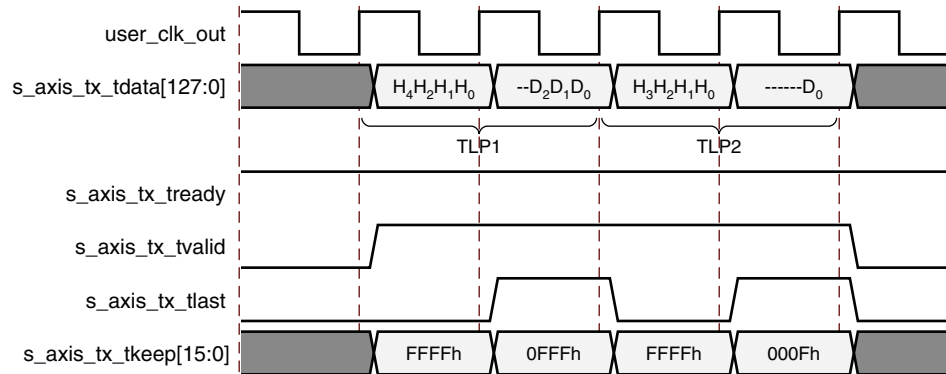


Figure 3-34: Back-to-Back Transaction on the Transmit Interface

Source Throttling on the Transmit Datapath

The AXI4-Stream interface lets the user application throttle back if it has no data to present on `s_axis_tx_tdata[127:0]`. When this condition occurs, the user application deasserts `s_axis_tx_tvalid`, which instructs the core AXI4-Stream interface to disregard data presented on `s_axis_tx_tdata[127:0]`. Figure 3-35 illustrates the source throttling mechanism, where the user application does not have data to present every clock cycle, and therefore must deassert `s_axis_tx_tvalid` during these cycles.

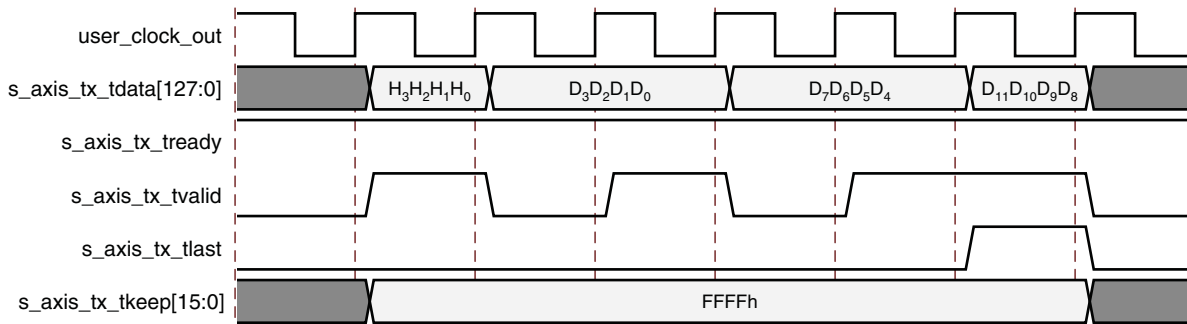


Figure 3-35: Source Throttling on the Transmit Datapath

Destination Throttling of the Transmit Datapath

The core AXI4-Stream interface throttles the transmit user application if there is no space left for a new TLP in its transmit buffer pool. This can occur if the link partner is not processing incoming packets at a rate equal to or greater than the rate at which the user application is presenting TLPs. Figure 3-36 illustrates the deassertion of `s_axis_tx_tready` to throttle the user application when the internal transmit buffers of the core are full. If the core needs to throttle the user application, it does so after the current packet has completed. If another packet starts immediately after the current packet, the throttle occurs immediately after `s_axis_tx_tlast`.

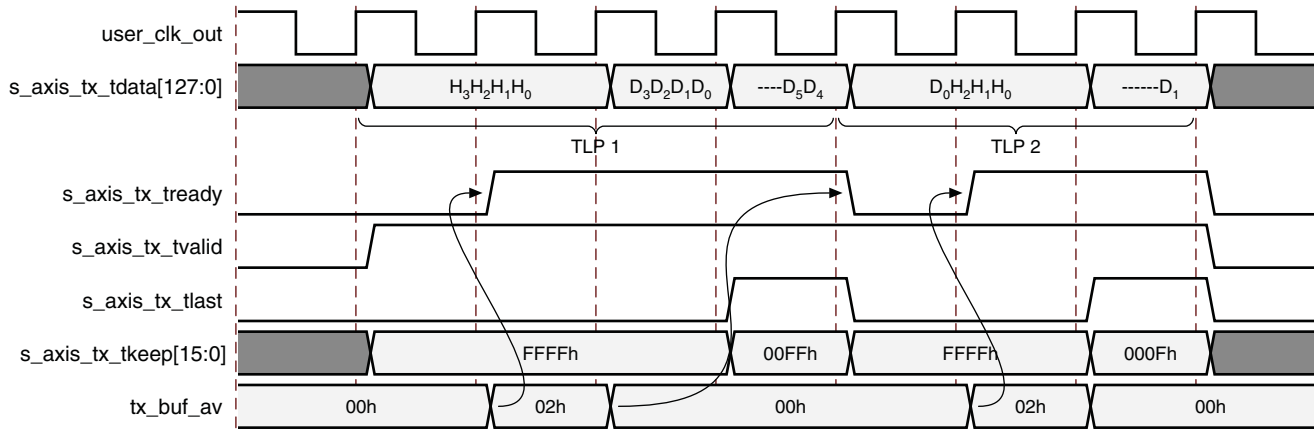


Figure 3-36: Destination Throttling of the Endpoint Transmit Interface

If the core transmit AXI4-Stream interface accepts the start of a TLP by asserting `s_axis_tx_tready`, it is guaranteed to accept the complete TLP with a size up to the value contained in the `Max_Payload_Size` field of the PCI Express Device Capability Register (offset 04H). To stay compliant with the *PCI Express Base Specification* [Ref 2], you should not violate the `Max_Payload_Size` field of the PCI Express Device Control Register (offset 08H). The core transmit AXI4-Stream interface deasserts `s_axis_tx_tready` only under these conditions:

- After it has accepted the TLP completely and has no buffer space available for a new TLP.
- When the core is transmitting an internally generated TLP (Completion TLP because of a Configuration Read or Write, error Message TLP or error response as requested by the user application on the `cfg_err` interface), after it has been granted use of the transmit datapath by the user application, by assertion of `tx_cfg_gnt`, the core subsequently asserts `s_axis_tx_tready` after transmitting the internally generated TLP.
- When the Power State field in the Power Management Control/Status Register (offset 0x4) of the PCI Power Management Capability Structure is changed to a non-D0 state, any ongoing TLP is accepted completely and `s_axis_tx_tready` is subsequently deasserted, disallowing the user application from initiating any new transactions for the duration that the core is in the non-D0 power state.

On deassertion of `s_axis_tx_tready` by the core, the user application needs to hold all control and data signals until the core asserts `s_axis_tx_tready`.

Discontinuing Transmission of Transaction by Source

The core AXI4-Stream interface lets the user application terminate transmission of a TLP by asserting (`tx_src_dsc`) `s_axis_tx_tuser[3]`. Both `s_axis_tx_tvalid` and `s_axis_tx_tready` must be asserted together with `tx_src_dsc` for the TLP to be discontinued. The signal `tx_src_dsc` must not be asserted at the beginning of a TLP. It can

be asserted on any cycle after the first beat of a new TLP up to and including the assertion of `s_axis_tx_tlast`. Asserting `tx_src_dsc` has no effect if no TLP transaction is in progress on the transmit interface. Figure 3-37 illustrates the user application discontinuing a packet using `tx_src_dsc`. Asserting `s_axis_tx_tlast` together with `tx_src_dsc` is optional.

If streaming mode is not used, `s_axis_tx_tuser[2]` (`tx_str`) = 0b, and the packet is discontinued, then the packet is discarded before being transmitted on the serial link. If streaming mode is used (`tx_str` = 1b), the packet is terminated with the EDB symbol on the serial link.

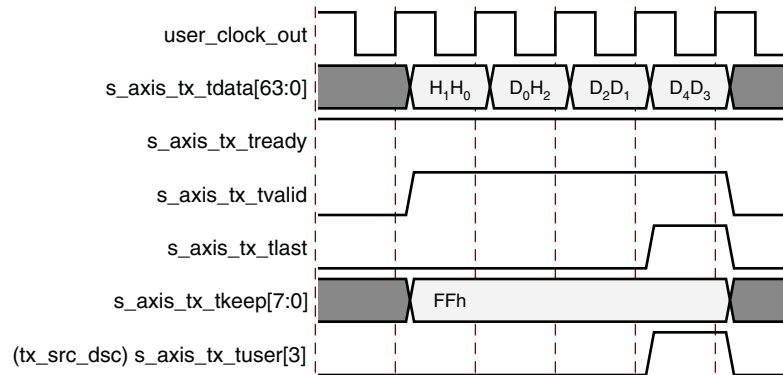


Figure 3-37: Source Driven Transaction Discontinue on the Transmit Interface

Discarding of Transaction by Destination

The core transmit AXI4-Stream interface discards a TLP for three reasons:

- The PCI Express Link goes down.
- Presented TLP violates the Max_Payload_Size field of the Device Capability Register (offset 04H) for PCI Express. It is your responsibility to not violate the Max_Payload_Size field of the Device Control Register (offset 08H).
- `s_axis_tx_tuser[2]` (`tx_str`) is asserted and data is not presented on consecutive clock cycles, that is, `s_axis_tx_tvalid` is deasserted in the middle of a TLP transfer.

When any of these occur, the transmit AXI4-Stream interface continues to accept the remainder of the presented TLP and asserts `tx_err_drop` no later than the third clock cycle following the EOF of the discarded TLP. Figure 3-38 illustrates the core signaling that a packet was discarded using `tx_err_drop`.

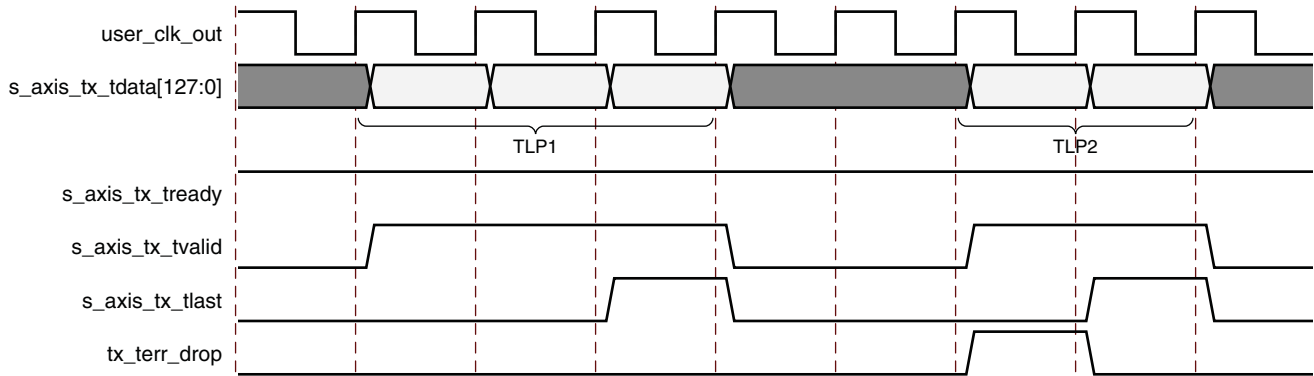


Figure 3-38: Discarding of Transaction by Destination on the Transmit Interface

Packet Data Poisoning on the Transmit AXI4-Stream Interface

The user application uses either of these two mechanisms to mark the data payload of a transmitted TLP as poisoned:

- Set EP = 1 in the TLP header. This mechanism can be used if the payload is known to be poisoned when the first DWORD of the header is presented to the core on the AXI4-Stream interface.
- Assert `s_axis_tx_tuser[1]` (`tx_err_fwd`) for at least one valid data transfer cycle any time during the packet transmission, as shown in Figure 3-39. This causes the core to set EP = 1 in the TLP header when it transmits the packet onto the PCI Express fabric. This mechanism can be used if the user application does not know whether a packet could be poisoned at the start of packet transmission. Use of `tx_err_fwd` is not supported for packets when `s_axis_tx_tuser[2]` (`tx_str`) is asserted (streamed transmit packets). In streaming mode, you can optionally discontinue the packet if it becomes corrupted. See [Discontinuing Transmission of Transaction by Source](#), page 52 for details on discontinuing packets.

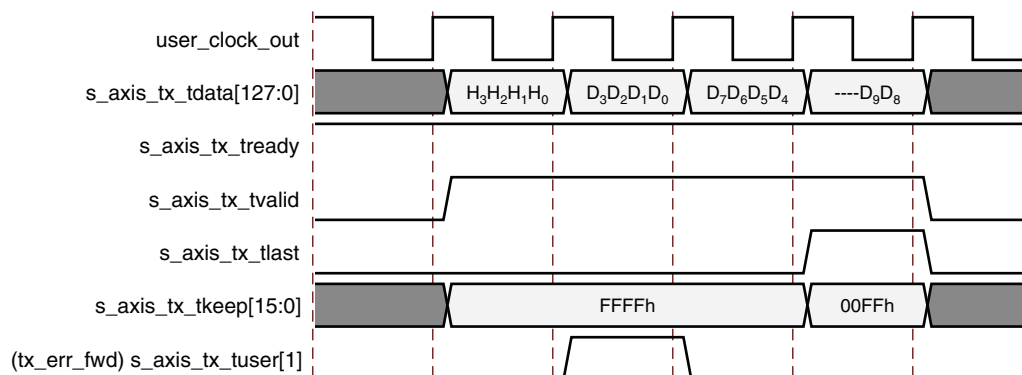


Figure 3-39: Packet Data Poisoning on the Transmit Interface

Streaming Mode for Transactions on the Transmit Interface

The 7 Series FPGAs Integrated Block for PCI Express core allows the user application to enable Streaming (cut-through) mode for transmission of a TLP, when possible, to reduce latency of operation. To enable this feature, the user application must assert `s_axis_tx_tuser[2]` (`tx_str`) for the entire duration of the transmitted TLP. In addition, the user application must present valid frames on every clock cycle until the final cycle of the TLP. In other words, the user application must not deassert `s_axis_tx_tvalid` for the duration of the presented TLP. Source throttling of the transaction while in streaming mode of operation causes the transaction to be dropped (`tx_err_drop` is asserted) and a nullified TLP to be signaled on the PCI Express link.

Figure 3-40 illustrates the streaming mode of operation, where the first TLP is streamed and the second TLP is dropped because of source throttling.

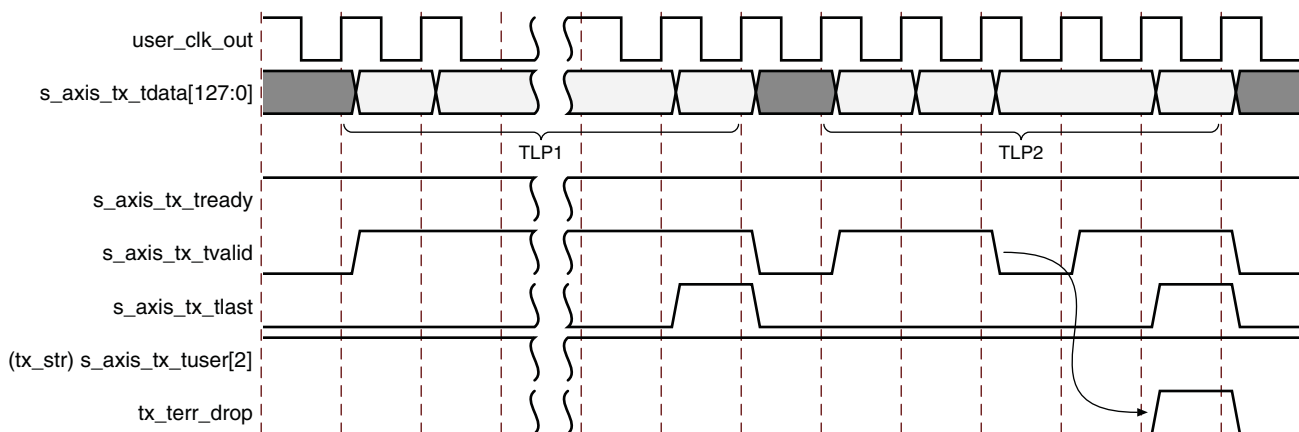


Figure 3-40: Streaming Mode on the Transmit Interface

Using ECRC Generation (128-Bit Interface)

The integrated block supports automatic ECRC generation. To enable this feature, the user application must assert `(tx_ecrc_gen) s_axis_tx_tuser[0]` at the beginning of a TLP on the transmit AXI4-Stream interface. This signal can be asserted through the duration of the packet, if desired. If the outgoing TLP does not already have a digest, the core generates and appends one and sets the TD bit. There is a single-clock cycle deassertion of `s_axis_tx_tready` at the end of packet to allow for insertion of the digest. Figure 3-41 illustrates ECRC generation operation.

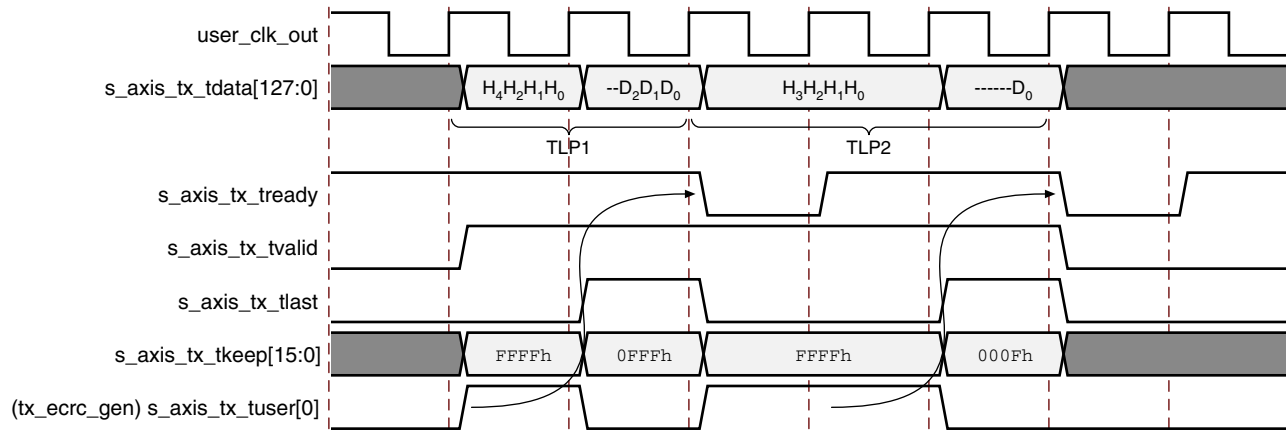


Figure 3-41: ECRC Generation Waveforms (128-Bit Interface)

Receiving Inbound Packets

Basic TLP Receive Operation

Table 2-10, page 19 defines the receive AXI4-Stream interface signals. This sequence of events must occur on the receive AXI4-Stream interface for the Endpoint core to present a TLP to the user application logic:

1. When the user application is ready to receive data, it asserts `m_axis_rx_tready`.
2. When the core is ready to transfer data, the core asserts `(rx_is_sof[4]) m_axis_rx_tuser[14]` and presents the first complete TLP DQWORD on `m_axis_rx_tdata[127:0]`.
3. The core then deasserts `(rx_is_sof[4]) m_axis_rx_tuser[14]`, keeps `m_axis_rx_tvalid` asserted, and presents TLP DQWORDS on `m_axis_rx_tdata[127:0]` on subsequent clock cycles (provided the user application logic asserts `m_axis_rx_tready`). Signal `(rx_is_eof[4]) m_axis_rx_tuser[21]` is asserted to signal the end of a TLP.
4. If no further TLPs are available at the next clock cycle, the core deasserts `m_axis_rx_tvalid` to signal the end of valid transfers on `m_axis_rx_tdata[127:0]`.

Note: The user application should ignore any assertions of `rx_is_sof`, `rx_is_eof`, and `m_axis_rx_tdata` unless `m_axis_rx_tvalid` is concurrently asserted. Signal `m_axis_rx_tvalid` never deasserts mid-packet.

Signal `(rx_is_sof[4:0]) m_axis_rx_tuser[14:10]` indicates whether or not a new packet has been started in the data stream, and if so, where the first byte of the new packet is located. Because new packets are at a minimum of three DWORDS in length for PCI Express, there is always, at most, one new packet start for a given clock cycle in the 128-bit interface.

Table 3-4: rx_is_sof Signal Description

Bit	Description
rx_is_sof[3:0]	Binary encoded byte location of start-of-frame (SOF): 4'b0000 = byte 0, 4'b1111 = byte 15
rx_is_sof[4]	Assertion indicates a new packet has been started in the current RX data.

The rx_is_sof[2:0] signal is always deasserted for the 128-bit interface; you can decode rx_is_sof[3:2] to determine in which DWORD the EOF occurs.

- rx_is_sof = 5'b10000 - SOF located at byte 0 (DWORD 0)
- rx_is_sof = 5'b11000 - SOF located at byte 8 (DWORD 2)
- rx_is_sof = 5'b0XXXX - SOF not present

The (rx_is_eof[4:0]) m_axis_rx_tuser[21:17] signal indicates whether or not a current packet is ending in the data stream, and if so, where the last byte of the current packet is located. Because packets are at a minimum of three DWORDs in length for PCI Express, there is always, at most, one packet ending for a given clock cycle in the 128-bit interface.

Table 3-5: rx_is_eof Signal Description

Bit	Description
rx_is_eof[3:0]	Binary encoded byte location of EOF: 4'b0000 = byte 0, 4'b1111 = byte 15
rx_is_eof[4]	Assertion indicates a packet is ending in the current RX data.

The rx_is_eof[1:0] signal is always asserted for the 128-bit interface; you can decode rx_is_eof[3:2] to determine in which DWORD the EOF occurs. These rx_is_eof values are valid for PCI Express:

- rx_is_eof = 5'b10011 - EOF located at byte 3 (DWORD 0)
- rx_is_eof = 5'b10111 - EOF located at byte 7 (DWORD 1)
- rx_is_eof = 5'b11011 - EOF located at byte 11 (DWORD 2)
- rx_is_eof = 5'b11111 - EOF located at byte 15 (DWORD 3)
- rx_is_eof = 5'b0XXXX - EOF not present

Table 3-6 through Table 3-9 use the notation H_n and D_n to denote Header DWORD n and Data DWORD n , respectively. Table 3-6 list the signaling for all the valid cases where a packet can start and end within a single beat (single-cycle TLP).

Table 3-6: Single-Cycle SOF and EOF Scenarios (Header and Header with Data)

	m_axis_rx_tdata[127:0]		
	H3 H2 H1 H0	-- H2 H1 H0	D0 H2 H1 H0
rx_is_sof[4]	1b	1b	1b
rx_is_sof[3:0]	0000b	0000b	0000b
rx_is_eof[4]	1b	1b	1b
rx_is_eof[3:0]	1111b	1011b	1111b

Table 3-7 lists the signaling for all multicycle, non-straddled TLP SOF scenarios.

Table 3-7: Multicycle, Non-Straddled SOF Scenarios

	m_axis_rx_tdata[127:0]		
	H3 H2 H1 H0 ⁽¹⁾	D0 H2 H1 H0 ⁽²⁾	H1 H0 -- -- ⁽³⁾
rx_is_sof[4]	1b	1b	1b
rx_is_sof[3:0]	0000b	0000b	1000b
rx_is_eof[4]	0b	0b	0b
rx_is_eof[3:0]	xxxxb	xxxxb	xxxxb

Notes:

1. Data begins on the next clock cycle.
2. Data continues on the next clock cycle.
3. Remainder of header and possible data on the next clock cycle.

Table 3-8 lists the possible signaling for ending a multicycle packet. If a packet ends in the lower QWORD of the data bus, the next packet can start in the upper QWORD of that beat (see Straddle cases, Table 3-9). rx_is_eof[3:2] indicates which DW the EOF occurs.

Table 3-8: Receive - EOF Scenarios (Data)

	m_axis_rx_tdata[127:0]			
	D3 D2 D1 D0	-- D2 D1 D0	-- -- D1 D0	-- -- -- D0
rx_is_sof[4]	0b	0b	0b	0b
rx_is_sof[3:0]	0000b	0000b	0000b	0000b
rx_is_eof[4]	1b	1b	1b	1b
rx_is_eof[3:0]	1111b	1011b	0111b	0011b

Table 3-9 lists the possible signaling for a straddled data transfer beat. A straddled data transfer beat occurs when one packet ends in the lower QWORD and a new packet starts in the upper QWORD of the same cycle. Straddled data transfers only occur in the receive direction.

Table 3-9: Receive - Straddle Cases SOF and EOF

	m_axis_rx_tdata[127:0]	
	H1 H0 Dn Dn-1	H1 H0 -- Dn
rx_is_sof[4]	1b	1b
rx_is_sof[3:0]	1000b	1000b
rx_is_eof[4]	1b	1b
rx_is_eof[3:0]	0111b	0011b

Figure 3-42 shows a 3-DWORD TLP header without a data payload; an example is a 32-bit addressable Memory Read request. When the core asserts rx_is_eof [4], it also places a value of 1011b on rx_is_eof [3:0], notifying you that EOF occurs on byte 11 (DWORD 2) and only m_axis_rx_tdata [95:0] contains valid data.

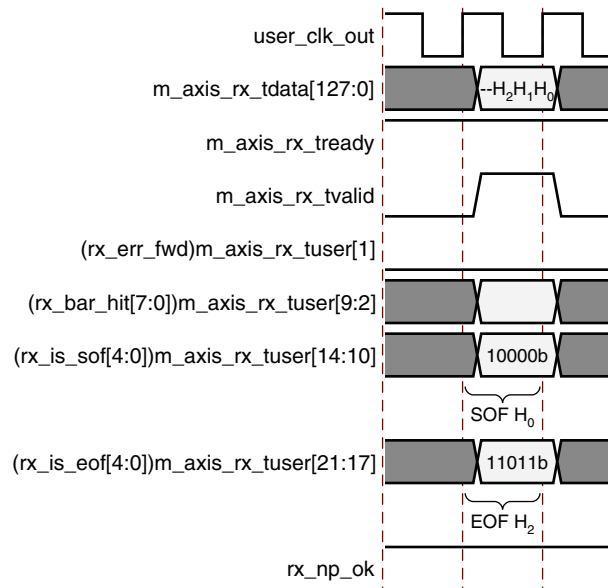


Figure 3-42: TLP 3-DWORD Header without Payload

Figure 3-43 shows a 4-DWORD TLP header without a data payload. When the core asserts (rx_is_eof[4]) m_axis_rx_tuser [21], it also places a value of 1111b on (rx_is_eof[3:0]) m_axis_rx_tuser [20:17], notifying you that the EOF occurs on byte 15 (DWORD 3) and m_axis_rx_tdata [127:0] contains valid data.

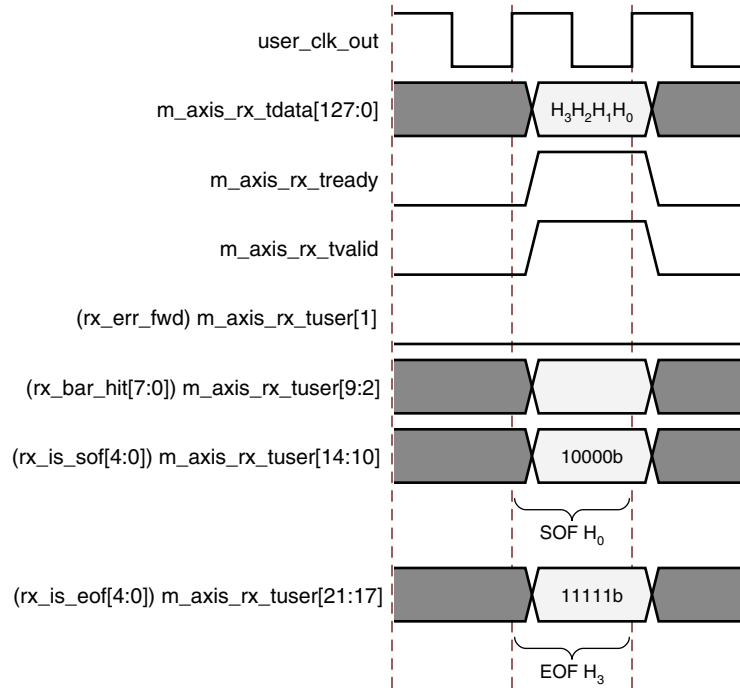


Figure 3-43: TLP 4-DWORD Header without Payload

Figure 3-44 shows a 3-DW TLP header with a data payload; an example is a 32-bit addressable Memory Write request. When the core asserts $(rx_is_eof[4])$ $m_axis_rx_tuser[21]$, it also places a value of 1111b on $(rx_is_eof[3:0])$ $m_axis_rx_tuser[20:17]$, notifying you that EOF occurs on byte 15 (DWORD 3) and $m_axis_rx_tdata[127:0]$ contains valid data.

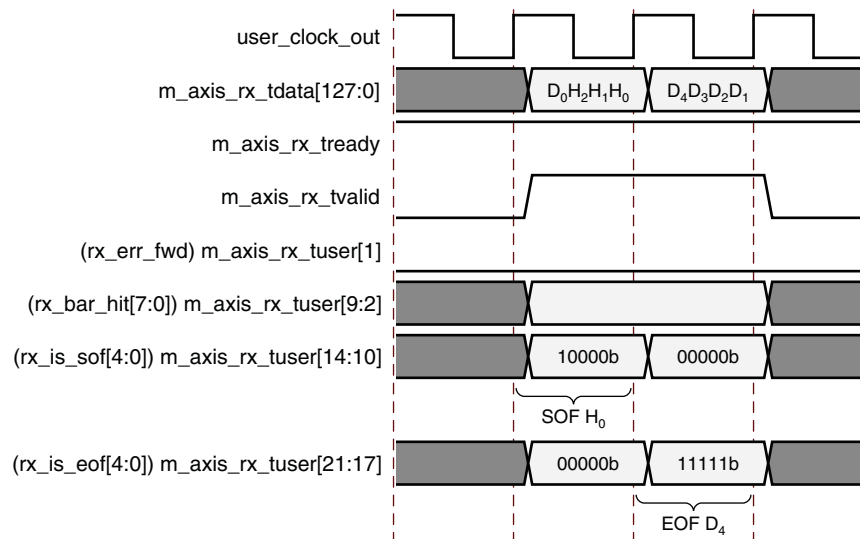


Figure 3-44: TLP 3-DWORD Header with Payload

Figure 3-45 shows a 4-DWORD TLP header with a data payload; an example is a 64-bit addressable Memory Write request. When the core asserts $(rx_is_eof[4])$

`m_axis_rx_tuser[21]`, it also places a value of `0011b` on `(rx_is_eof[3:0])` `m_axis_rx_tuser[20:17]`, notifying you that EOF occurs on byte 3 (DWORD 0) and only `m_axis_rx_tdata[31:0]` contains valid data.

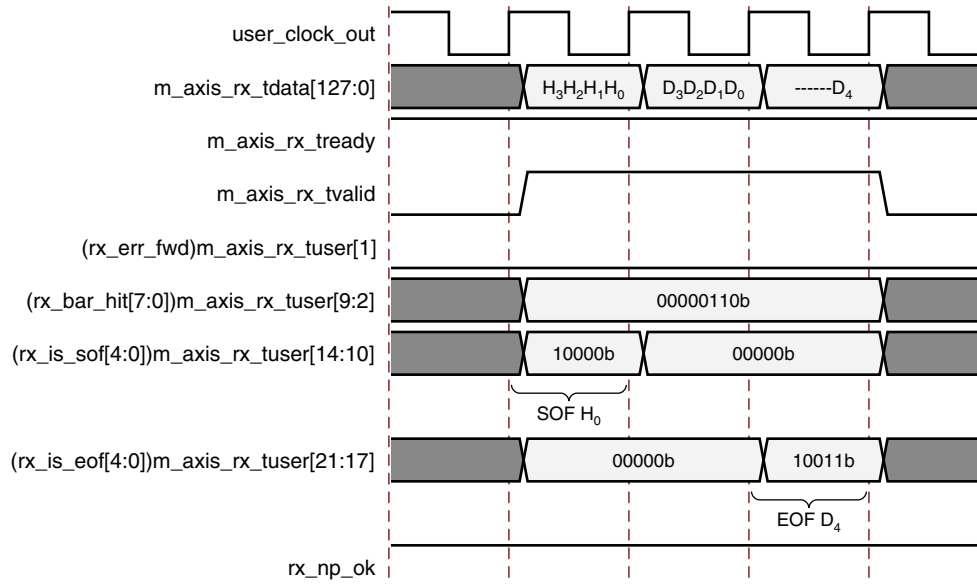


Figure 3-45: TLP 4-DWORD Header with Payload

Throttling the Datapath on the Receive Interface

The user application can stall the transfer of data from the core at any time by deasserting `m_axis_rx_tready`. If you deassert `m_axis_rx_tready` while no transfer is in progress and if a TLP becomes available, the core asserts `m_axis_rx_tvalid` and `(rx_is_sof[4])` `m_axis_rx_tuser[14]` and presents the first TLP DQWORD on `m_axis_rx_tdata[127:0]`. The core remains in this state until the you assert `m_axis_rx_tready` to signal the acceptance of the data presented on `m_axis_rx_tdata[127:0]`. At that point, the core presents subsequent TLP DQWORDS as long as `m_axis_rx_tready` remains asserted. If you deassert `m_axis_rx_tready` during the middle of a transfer, the core stalls the transfer of data until you assert `m_axis_rx_tready` again. There is no limit to the number of cycles you can keep `m_axis_rx_tready` deasserted. The core pauses until the user application is again ready to receive TLPs.

Figure 3-46 illustrates the core asserting `m_axis_rx_tvalid` and `(rx_is_sof[4])` `m_axis_rx_tuser[14]` along with presenting data on `m_axis_rx_tdata[127:0]`. The user application logic inserts wait states by deasserting `m_axis_rx_tready`. The core does not present the next TLP DQWORD until it detects `m_axis_rx_tready` assertion. The user application logic can assert or deassert `m_axis_rx_tready` as required to balance receipt of new TLP transfers with the rate of TLP data processing inside the application logic.

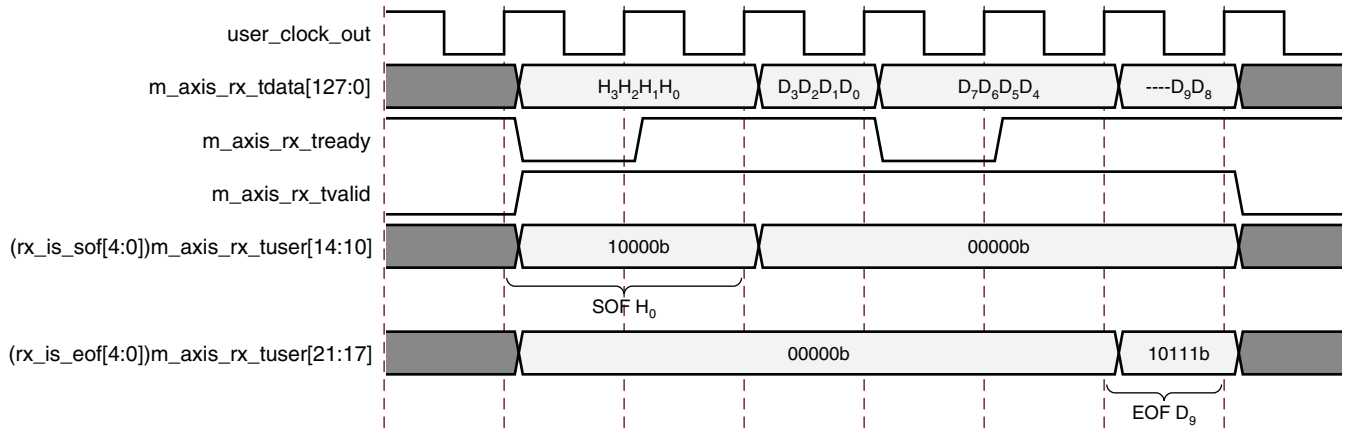


Figure 3-46: User Application Throttling Receive TLP

Receiving Back-to-Back Transactions on the Receive Interface

The user application logic must be designed to handle presentation of back-to-back TLPs on the receive AXI4-Stream interface by the core. The core can assert `(rx_is_sof[4]) m_axis_rx_tuser[14]` for a new TLP at the clock cycle after `(rx_is_eof[4]) m_axis_rx_tuser[21]` assertion for the previous TLP. Figure 3-47 illustrates back-to-back TLPs presented on the receive interface.

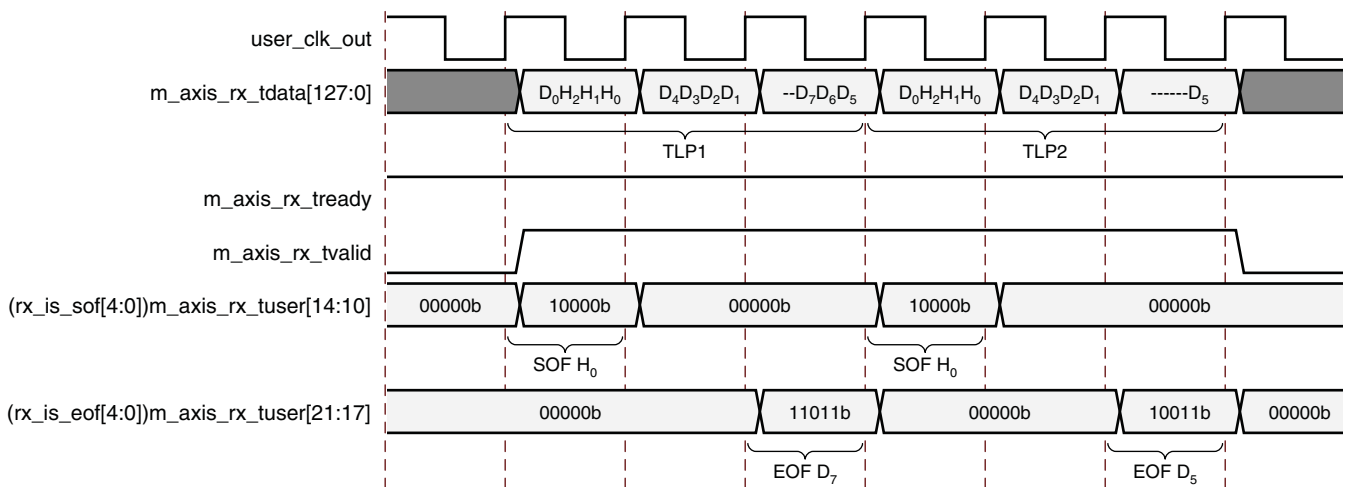


Figure 3-47: Receive Back-to-Back Transactions

If the user application cannot accept back-to-back packets, it can stall the transfer of the TLP by deasserting `m_axis_rx_tready` as discussed in the [Throttling the Datapath on the Receive Interface](#) section. Figure 3-48 shows an example of using `m_axis_rx_tready` to pause the acceptance of the second TLP.

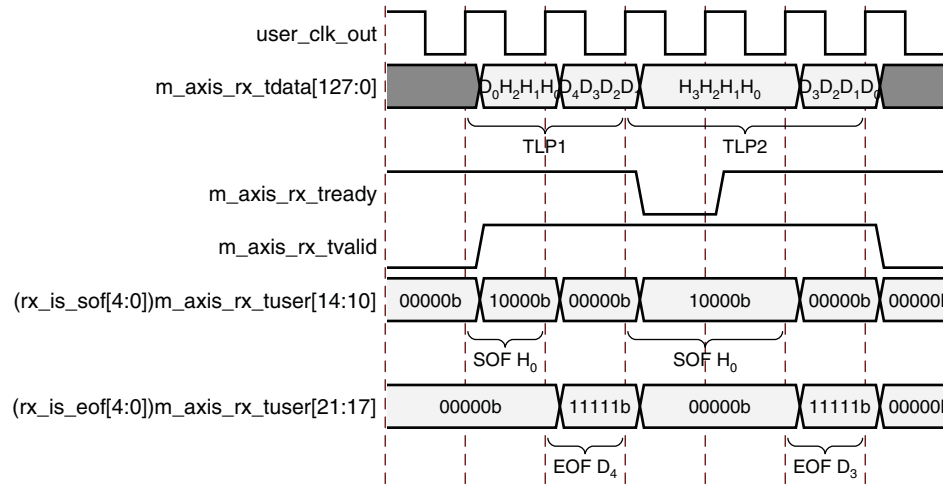


Figure 3-48: User Application Throttling Back-to-Back TLPs

Receiving Straddled Packets on the Receive AXI4-Stream Interface

The user application logic must be designed to handle presentation of straddled TLPs on the receive AXI4-Stream interface by the core. The core can assert $(rx_is_sof[4])$ $m_axis_rx_tuser[14]$ for a new TLP on the same clock cycle as $(rx_is_eof[4])$ $m_axis_rx_tuser[21]$ for the previous TLP, when the previous TLP ends in the lower QWORD. Figure 3-49 illustrates straddled TLPs presented on the receive interface.

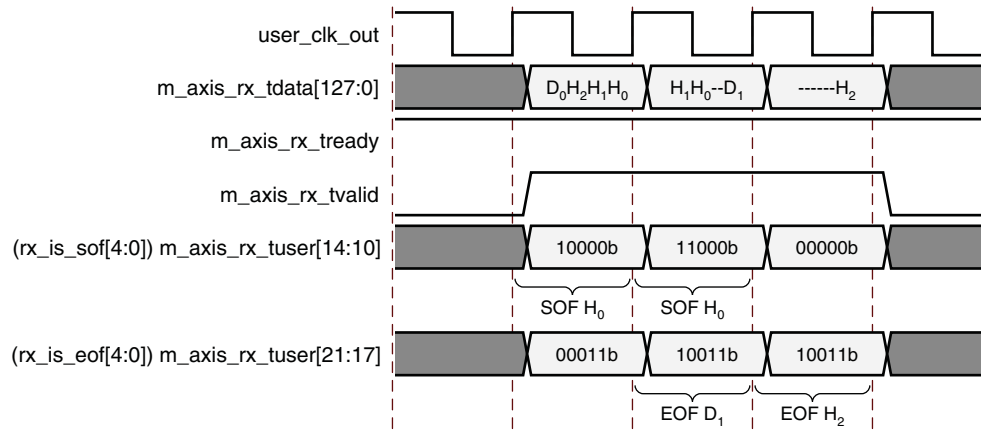


Figure 3-49: Receive Straddled Transactions

In Figure 3-49, the first packet is a 3-DWORD packet with 64 bits of data and the second packet is a 3-DWORD packet that begins on the lower QWORD portion of the bus. In the figure, assertion of $(rx_is_eof[4])$ $m_axis_rx_tuser[21]$ and $(rx_is_eof[3:0])$ $m_axis_rx_tuser[20:17] = 0011b$ indicates that the EOF of the previous TLP occurs in bits [31:0].

Packet Re-ordering on the Receive AXI4-Stream Interface

Transaction processing in the core receiver is fully compliant with the PCI transaction ordering rules. The transaction ordering rules allow Posted and Completion TLPs to bypass blocked Non-Posted TLPs.

The 7 Series FPGAs Integrated Block for PCI Express provides two mechanisms for user applications to manage their Receiver Non-Posted Buffer space. The first of the two mechanisms, *Receive Non-Posted Throttling*, is the use of `rx_np_ok` to prevent the core from presenting more than two Non-Posted requests after deassertion of the `rx_np_ok` signal. The second mechanism, *Receive Request for Non-Posted*, allows user-controlled Flow Control of the Non-Posted queue, using the `rx_np_req` signal.

The Receive Non-Posted Throttling mechanism assumes that the user application normally has space in its receiver for non-Posted TLPs and the user application would throttle the core specifically for Non-Posted requests. The Receive Request for Non-Posted mechanism assumes that the user application requests the core to present a Non-Posted TLP as and when it has space in its receiver. The two mechanisms are mutually exclusive, and only one can be active for a design. This option must be selected while generating and customizing the core. When the Receive Non-Posted Request option is selected in the Advanced Settings, the Receive Request for Non-Posted mechanism is enabled and any assertion/deassertion of `rx_np_ok` is ignored and vice-versa. The two mechanisms are described in further detail in the next subsections.

- **Receive Non-Posted Throttling (Receive Non-Posted Request Disabled)**

If the user application can receive Posted and Completion Transactions from the core, but is not ready to accept Non-Posted Transactions, the user application can deassert `rx_np_ok`, as shown in [Figure 3-50](#). The user application must deassert `rx_np_ok` at least one clock cycle before `(rx_is_eof[4]) m_axis_rx_tuser[21]` of the second-to-last Non-Posted TLP the user application can accept. When `rx_np_ok` is deasserted, received Posted and Completion Transactions pass Non-Posted Transactions. After the user application is ready to accept Non-Posted Transactions, it must reassert `rx_np_ok`. Previously bypassed Non-Posted Transactions are presented to the user application before other received TLPs.

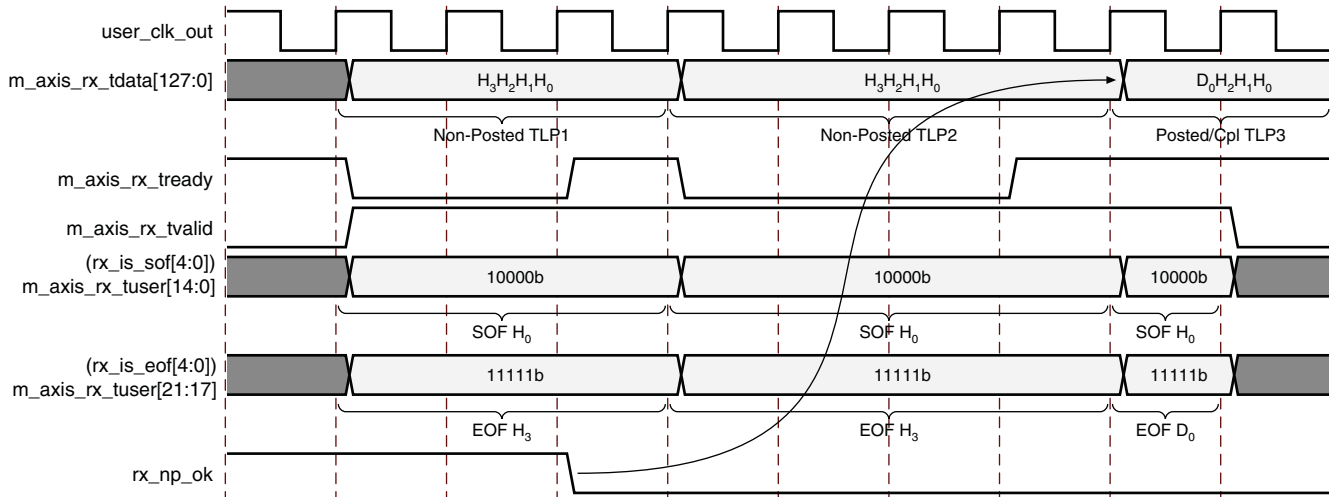


Figure 3-50: Receive Interface Non-Posted Throttling

Packet re-ordering allows the user application to optimize the rate at which Non-Posted TLPs are processed, while continuing to receive and process Posted and Completion TLPs in a non-blocking fashion. The `rx_np_ok` signaling restrictions require that the user application be able to receive and buffer at least three Non-Posted TLPs. This algorithm describes the process of managing the Non-Posted TLP buffers:

Consider that `Non-Posted_Buffers_Available` denotes the size of Non-Posted buffer space available to user application. The size of the Non-Posted buffer space is greater than three Non-Posted TLPs. `Non-Posted_Buffers_Available` is decremented when a Non-Posted TLP is accepted for processing from the core, and is incremented when the Non-Posted TLP is drained for processing by the user application.

```

For every clock cycle do {
  if (Non-Posted_Buffers_Available <= 3) {
    if (Valid transaction Start-of-Frame accepted by user application) {
      Extract TLP Format and Type from the 1st TLP DW
      if (TLP type == Non-Posted) {
        Deassert rx_np_ok on the following clock cycle
        - or -
        Other optional user policies to stall NP transactions
      } else {
      }
    }
  } else { // Non-Posted_Buffers_Available > 3
    Assert rx_np_ok on the following clock cycle.
  }
}

```

- **Receive Request for Non-Posted (Receive Non-Posted Request Enabled)**

The 7 Series FPGAs Integrated Block for PCI Express allows the user application to control Flow Control Credit return for the Non-Posted queue using the `rx_np_req` signal. When the user application has space in its receiver to receive a Non-Posted Transaction, it must assert `rx_np_req` for one clock cycle for every Non-Posted

Transaction that the user application can accept. This enables the integrated block to present one Non-Posted transaction from its receiver queues to the core transaction interface, as shown in Figure 3-51 and return one Non-Posted Credit to the connected Link partner.

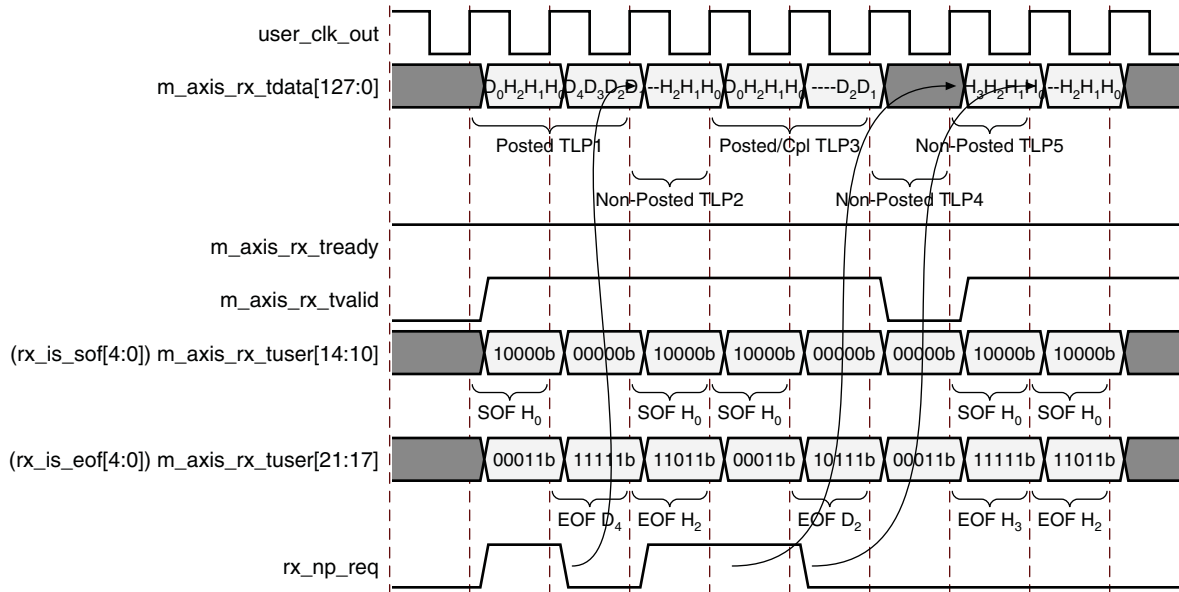


Figure 3-51: Receive Interface Request for Non-Posted Transaction

The 7 Series Integrated Block for PCIe maintains a count of up to 12 Non-Posted Requests from the user application. In other words, the core remembers assertions of `rx_np_req` even if no Non-Posted TLPs are present in the receive buffer and presents received Non-Posted TLPs to the user application, if requests have been previously made by the user application. If the core has no outstanding requests from the user application and received Non-Posted TLPs are waiting in the receive buffer, received Posted and Completion Transactions pass the waiting Non-Posted Transactions. After the user application is ready to accept a Non-Posted TLP, asserting `rx_np_req` for one or more cycles causes that number of waiting Non-Posted TLPs to be delivered at the next available TLP boundary. In other words, any Posted or Completion TLP currently on the user application interface finishes before waiting Non-Posted TLPs are presented to the user application. If there are no Posted or Completion TLPs being presented and a Non-Posted TLP is waiting, assertion of `rx_np_req` causes the Non-Posted TLP to be presented to the user application. TLPs are delivered to the user application in order except when you are throttling Non-Posted TLPs, allowing Posted and Completion TLPs to pass. When you start accepting Non-Posted TLPs again, ordering is still maintained with any subsequent Posted or Completion TLPs. If the user application can accept all Non-Posted Transactions as they are received and does not care about controlling the Flow Control Credit return for the Non-Posted queue, keep this signal asserted.

Packet Data Poisoning and TLP Digest on the 128-Bit Receive AXI4-Stream Interface

To simplify logic within the user application, the core performs automatic pre-processing based on values of TLP Digest (TD) and Data Poisoning (EP) header bit fields on the received TLP.

All received TLPs with the Data Poisoning bit in the header set (EP = 1) are presented. The core asserts the (rx_err_fwd) m_axis_rx_tuser[1] signal for the duration of each poisoned TLP, as illustrated in Figure 3-52.

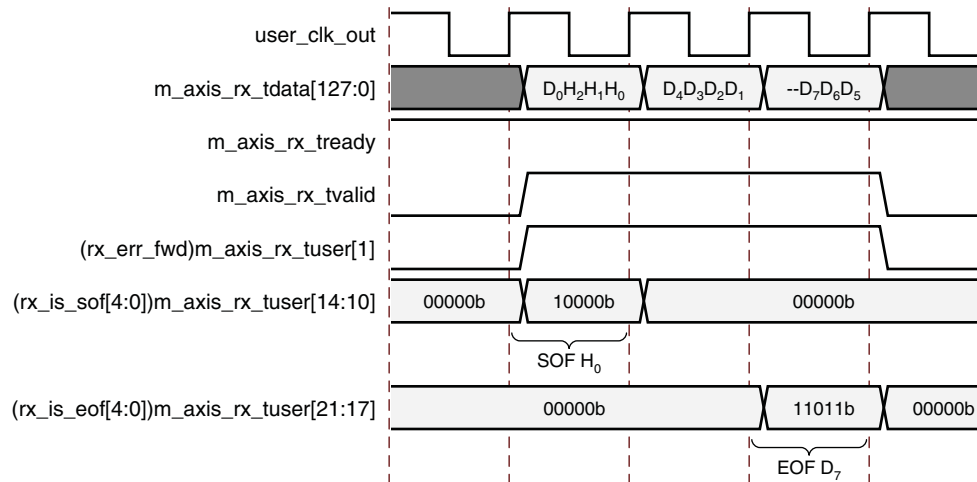


Figure 3-52: Receive Transaction Data Poisoning

If the TLP Digest bit field in the TLP header is set (TD = 1), the TLP contains an End-to-End CRC (ECRC). The core performs these operations based on how you configured the core during core generation. If the **Trim TLP Digest** option is:

- On: The core removes and discards the ECRC field from the received TLP and clears the TLP Digest bit in the TLP header.
- Off: The core does not remove the ECRC field from the received TLP and presents the entire TLP including TLP Digest to the user application receiver interface.

See [ECRC, page 228](#) for more information about how to enable the Trim TLP Digest option during core generation.

ECRC Error on the 128-Bit Receive AXI4-Stream Interface

The 7 Series FPGAs Integrated Block for PCI Express core checks the ECRC on incoming transaction packets, when ECRC checking is enabled in the core. When it detects an ECRC error in a transaction packet, the core signals this error by simultaneously asserting m_axis_rx_tuser[0] (rx_ecrc_err) and m_axis_rx_tuser[21:17] (rx_is_eof[4:0]), as illustrated in Figure 3-53.

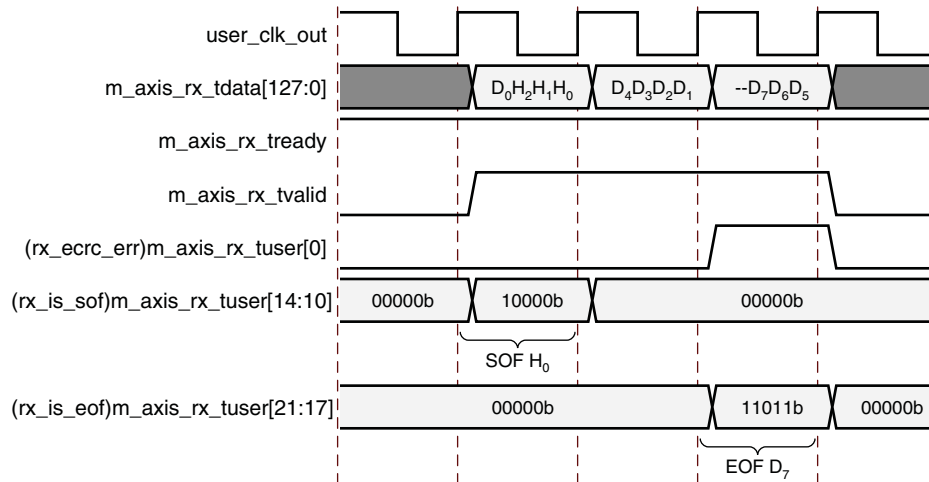


Figure 3-53: ECRC Error on 128-Bit Receive AXI4-Stream Interface

Packet Base Address Register Hit on the Receive AXI4-Stream Interface

The core decodes incoming Memory and I/O TLP request addresses to determine which Base Address Register (BAR) in the core Type0 configuration space is being targeted, and indicates the decoded base address on $(rx_bar_hit[7:0])\ m_axis_rx_tuser[9:2]$. For each received Memory or I/O TLP, a minimum of one and a maximum of two (adjacent) bits are set to 1. If the received TLP targets a 32-bit Memory or I/O BAR, only one bit is asserted. If the received TLP targets a 64-bit Memory BAR, two adjacent bits are asserted. If the core receives a TLP that is not decoded by one of the BARs, then the core drops it without presenting it, and it automatically generates an Unsupported Request message. Even if the core is configured for a 64-bit BAR, the system might not always allocate a 64-bit address, in which case only one $rx_bar_hit[7:0]$ signal is asserted.

Table 3-10 illustrates mapping between $rx_bar_hit[7:0]$ and the BARs, and the corresponding byte offsets in the core Type0 configuration header.

Table 3-10: rx_bar_hit to Base Address Register Mapping

$rx_bar_hit[x]$	$m_axis_rx_tuser[x]$	BAR	Byte Offset
0	2	0	10h
1	3	1	14h
2	4	2	18h
3	5	3	1Ch
4	6	4	20h
5	7	5	24h
6	8	Expansion ROM BAR	30h
7	9	Reserved	–

For a Memory or I/O TLP Transaction on the receive interface, $rx_bar_hit[7:0]$ is valid for the entire TLP, starting with the assertion of $(rx_is_sof[4])$

`m_axis_rx_tuser[14]`, as shown in Figure 3-54. For straddled data transfer beats, `rx_bar_hit[7:0]` corresponds to the new packet (the packet corresponding to `rx_is_sof[4]`). When receiving non-Memory and non-I/O transactions, `rx_bar_hit[7:0]` is undefined.

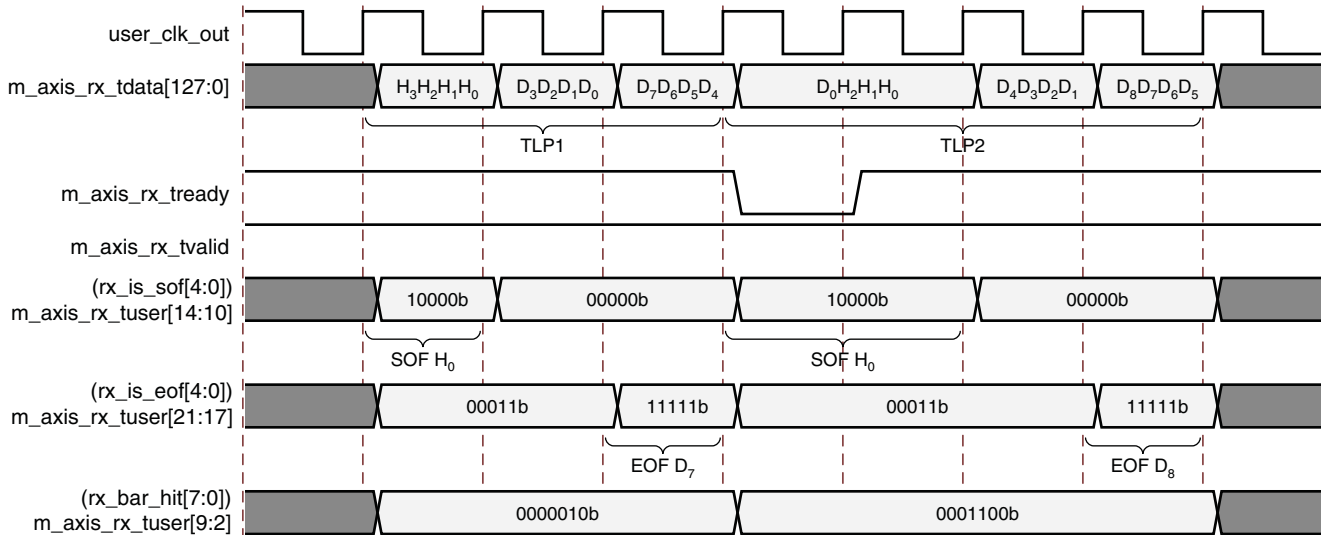


Figure 3-54: BAR Target Determination Using `rx_bar_hit`

The `(rx_bar_hit[7:0]) m_axis_rx_tuser[9:2]` signal enables received Memory and I/O transactions to be directed to the appropriate destination apertures within the user application. By utilizing `rx_bar_hit[7:0]`, application logic can inspect only the lower order Memory and I/O address bits within the address aperture to simplify decoding logic.

Packet Transfer Discontinue on the Receive AXI4-Stream Interface

The loss of communication with the link partner is signaled by deassertion of `user_lnk_up`. When `user_lnk_up` is deasserted, it effectively acts as a Hot Reset to the entire core and all TLPs stored inside the core or being presented to the receive interface are irrecoverably lost. A TLP in progress on the Receive AXI4-Stream interface is presented to its correct length, according to the Length field in the TLP header. However, the TLP is corrupt and should be discarded by the user application. Figure 3-55 illustrates packet transfer discontinue scenario.

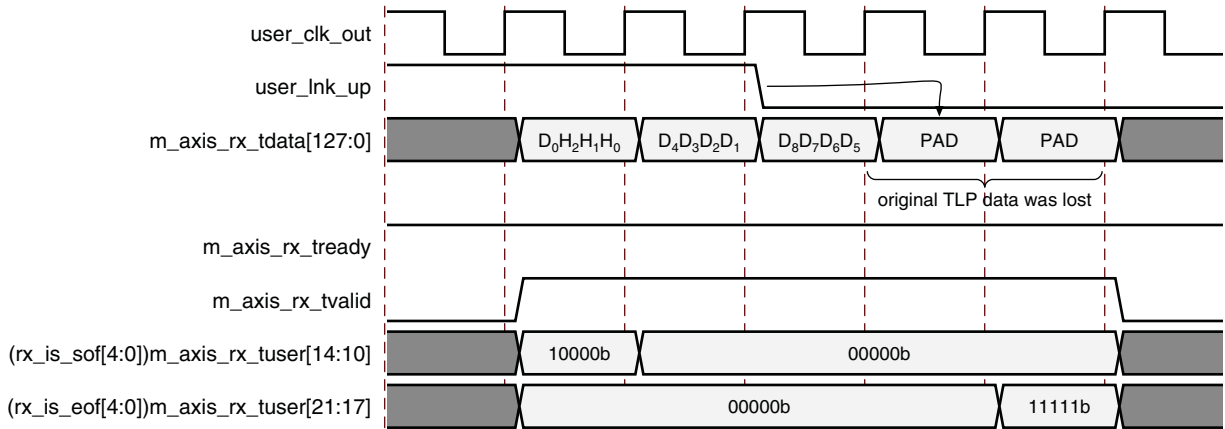


Figure 3-55: Receive Transaction Discontinue

Transaction Processing on the Receive AXI4-Stream Interface

Transaction processing in the 7 Series FPGAs Integrated Block for PCI Express is fully compliant with the PCI Express Received TLP handling rules, as specified in the *PCI Express Base Specification, rev. 2.1* [Ref 2].

The core performs checks on received transaction layer packets (TLPs) and passes valid TLPs to the user application. It handles erroneous TLPs in the manner indicated in Table 3-11 and Table 3-12. Any errors associated with a TLP that are presented to the user application for which the core does not check must be signaled by the user application logic using the `cfg_err_*` interface.

Table 3-11 and Table 3-12 describe the packet disposition implemented in the core based on received TLP type and condition of core/TLP error for the Endpoint and Root Port configurations.

Table 3-11: TLP Disposition on the Receive AXI4-Stream Interface: Endpoint

TLP Type	Condition of Core or TLP Error	Core Response to TLP	
Memory Read Memory Write Atomic Ops I/O Read I/O Write	BAR Miss	Unsupported Request	
	Received when in Non-D0 PM State	Unsupported Request	
	Neither of the above conditions	TLP presented to user application	
Memory Read Locked	Received by a non-Legacy PCI Express Endpoint	Unsupported Request	
	Legacy Endpoint	BAR Miss	Unsupported Request
		Received when in Non-D0 PM State	Unsupported Request
		Neither of the above conditions	TLP presented to user application

Table 3-11: TLP Disposition on the Receive AXI4-Stream Interface: Endpoint (Cont'd)

TLP Type		Condition of Core or TLP Error	Core Response to TLP
Configuration Read/Write Type 0		Internal Config Space	TLP consumed by the core, to read/write internal Configuration Space and a CplID/Cpl is generated
		User-Defined Config Space	TLP presented to user application
Configuration Read/Write Type 1		Received by an Endpoint	Unsupported Request
Completion Completion Locked		Requester ID Miss	Unexpected Completion
		Received when in Non-D0 PM State	Unexpected Completion
		Neither of the above conditions	TLP presented to user application
Messages	Set Slot Power Limit	Received by an Endpoint	TLP consumed by the core and used to program the Captured Slot Power Limit Scale/Value fields of the Device Capabilities Register
	PM_PME PME_TO_Ack	Received by an Endpoint	Unsupported Request
	PM_Active_State_NAK PME_Turn_Off	Received by an Endpoint	TLP consumed by the core and used to control Power Management
	Unlock	Received by a non-Legacy Endpoint	Ignored
		Received by a Legacy Endpoint	TLP presented to user application ⁽¹⁾
	INTX	Received by an Endpoint	Fatal Error
	Error_Fatal Error Non-Fatal Error Correctable	Received by an Endpoint	Unsupported Request
	Vendor Defined Type 0 Vendor Defined Type 1	Received by an Endpoint	TLP presented to user application ⁽¹⁾
Hot Plug Messages	Received by an Endpoint	TLP dropped by the core	

Notes:

1. The TLP is indicated on the cfg_msg* interface and also appears on the m_axis_rx_* interface.

Table 3-12: TLP Disposition on the Receive AXI4-Stream Interface: Root Port

TLP Type	Condition of Core or TLP Error	Core Response to TLP
Memory Read Memory Write Atomic Ops I/O Read I/O Write	BAR Miss	No BAR Filtering in Root Port configuration: TLP presented to user application
	Received when in Non-D0 PM State	Unsupported Request
	Neither of the above conditions	TLP presented to user application
Memory Read Locked	Received by a Root Port	TLP presented to user application

Table 3-12: TLP Disposition on the Receive AXI4-Stream Interface: Root Port (Cont'd)

TLP Type		Condition of Core or TLP Error	Core Response to TLP
Configuration Read / Write Type 0		Received by a Root Port	Unsupported Request
Configuration Read / Write Type 1		Received by a Root Port	Unsupported Request
Completion Completion Locked		Received by a Root Port	TLP presented to user application
Messages	Set Slot Power Limit	Received by a Root Port	Unsupported Request
	PM_PME PME_TO_Ack	Received by a Root Port	TLP presented to user application ⁽¹⁾
	PM_Active_State_NAK	Received by a Root Port	Unsupported Request
	PME_Turn_Off	Received by a Root Port	Fatal Error
	Unlock	Received by a Root Port	Fatal Error
	INTX	Received by a Root Port	TLP presented to user application ⁽¹⁾
	Error_Fatal Error Non-Fatal Error Correctable	Received by a Root Port	TLP presented to user application ⁽¹⁾
	Vendor Defined Type 0 Vendor Defined Type 1	Received by a Root Port	TLP presented to user application ⁽¹⁾
Hot Plug Messages		Received by a Root Port	TLP dropped by the core

Notes:

1. The TLP is indicated on the `cfg_msg*` interface and also appears on the `m_axis_rx*` interface *only if* enabled in the Vivado Integrated Design Environment (IDE).

Atomic Operations

The 7 Series FPGAs Integrated Block for PCI Express supports both sending and receiving Atomic operations (Atomic Ops) as defined in the *PCI Express Base Specification v2.1*. The specification defines three TLP types that allow advanced synchronization mechanisms amongst multiple producers and/or consumers. The integrated block treats Atomic Ops TLPs as Non-Posted Memory Transactions. The three TLP types are:

- FetchAdd
- Swap
- CAS (Compare And Set)

Applications that request Atomic Ops must create the TLP in the user application and send through the transmit AXI4-Stream interface. Applications that respond (complete) to Atomic Ops must receive the TLP from the receive AXI4-Stream interface, create the appropriate completion TLP in the user application, and send the resulting completion through the transmit AXI4-Stream interface.

Core Buffering and Flow Control

Maximum Payload Size

TLP size is restricted by the capabilities of both link partners. After the link is trained, the root complex sets the MAX_PAYLOAD_SIZE value in the Device Control register. This value is equal to or less than the value advertised by the Device Capability register of the core. The advertised value in the Device Capability register of the integrated block core is either 128, 256, 512, or 1024 bytes, depending on the setting in the Vivado IDE (1024 is not supported for the 8-lane, 5.0 Gb/s 128-bit core). For more information about these registers, see section 7.8 of the *PCI Express Base Specification* [Ref 2]. The value of the Device Control register of the core is provided to the user application on the `cfg_dcommand[15:0]` output. See [Designing with Configuration Space Registers and Configuration Interface](#), page 105 for information about this output.

Transmit Buffers

The Integrated Block for PCI Express transmit AXI4-Stream interface provides `tx_buf_av`, an instantaneous indication of the number of Max_Payload_Size buffers available for use in the transmit buffer pool. [Table 3-13](#) defines the number of transmit buffers available and maximum supported payload size for a specific core.

Table 3-13: Transmit Buffers Available

Capability Max Payload Size (Bytes)	Performance Level ⁽¹⁾	
	Good (Minimize Block RAM Usage)	High (Maximize Performance)
128	26	32
256	14	29
512	15	30
1024 ⁽²⁾	15	31

Notes:

1. Performance level is set through a Vivado IDE selection.
2. 1024 is not supported for the 8-lane, 5.0 Gb/s, 128-bit core.

Each buffer can hold one maximum sized TLP. A maximum sized TLP is a TLP with a 4-DWORD header plus a data payload equal to the Max_Payload_Size of the core (as defined in the Device Capability register) plus a TLP Digest. After the link is trained, the root complex sets the Max_Payload_Size value in the Device Control register. This value is equal to or less than the value advertised by the Device Capability register of the core. For more information about these registers, see section 7.8 of the *PCI Express Base Specification*. A TLP is held in the transmit buffer of the core until the link partner acknowledges receipt of the packet, at which time the buffer is released and a new TLP can be loaded into it by the user application.

For example, if the Capability Max Payload Size selected for the Endpoint core is 256 bytes, and the performance level selected is high, there are 29 total transmit buffers. Each of these buffers can hold at a maximum one 64-bit Memory Write Request (4-DWORD header) plus 256 bytes of data (64 DWORDs) plus TLP Digest (one DWORD) for a total of 69 DWORDs. This example assumes the root complex sets the MAX_PAYLOAD_SIZE register of the Device Control register to 256 bytes, which is the maximum capability advertised by this core. For this reason, at any given time, this core could have 29 of these 69 DWORD TLPs waiting for transmittal. There is no sharing of buffers among multiple TLPs, so even if user is sending smaller TLPs such as 32-bit Memory Read request with no TLP Digest totaling three DWORDs only per TLP, each transmit buffer still holds only one TLP at any time.

The internal transmit buffers are shared between the user application and the configuration management module (CMM) of the core. Because of this, the `tx_buf_av` bus can fluctuate even if the user application is not transmitting packets. The CMM generates completion TLPs in response to configuration reads or writes, interrupt TLPs at the request of the user application, and message TLPs when needed.

The Transmit Buffers Available indication enables the user application to completely utilize the PCI transaction ordering feature of the core transmitter. The transaction ordering rules allow for Posted and Completion TLPs to bypass Non-Posted TLPs. See section 2.4 of the *PCI Express Base Specification* [Ref 2] for more information about ordering rules.

The core supports the transaction ordering rules and promotes Posted and Completion packets ahead of blocked Non-Posted TLPs. Non-Posted TLPs can become blocked if the link partner is in a state where it momentarily has no Non-Posted receive buffers available, which it advertises through Flow Control updates. In this case, the core promotes Completion and Posted TLPs ahead of these blocked Non-Posted TLPs. However, this can only occur if the Completion or Posted TLP has been loaded into the core by the user application. By monitoring the `tx_buf_av` bus, the user application can ensure there is at least one free buffer available for any Completion or Posted TLP. Promotion of Completion and Posted TLPs only occurs when Non-Posted TLPs are blocked; otherwise packets are sent on the link in the order they are received from the user application.

Receiver Flow Control Credits Available

The core provides the user application information about the state of the receiver buffer pool queues. This information represents the current space available for the Posted, Non-Posted, and Completion queues.

One Header Credit is equal to either a 3- or 4-DWORD TLP Header and one Data Credit is equal to 16 bytes of payload data. [Table 3-14](#) provides values on credits available immediately after `user_lnk_up` assertion but before the reception of any TLP. If space available for any of the above categories is exhausted, the corresponding credit available signals indicate a value of zero. Credits available return to initial values after the receiver has drained all TLPs.

Table 3-14: Transaction Receiver Credits Available Initial Values

Credit Category	Performance Level	Capability Maximum Payload Size			
		128 Byte	256 Byte	512 Byte	1024 Byte
Non-Posted Header	Good	12			
	High				
Non-Posted Data	Good	12			
	High				
Posted Header	Good	32			
	High				
Posted Data	Good	77	77	154	308
	High	154	154	308	616
Completion Header	Good	36			
	High				
Completion Data	Good	77	77	154	308
	High	154	154	308	616

The user application can use the `fc_ph[7:0]`, `fc_pd[11:0]`, `fc_nph[7:0]`, `fc_npd[11:0]`, `fc_cplh[7:0]`, `fc_cp1d[11:0]`, and `fc_sel[2:0]` signals to efficiently utilize and manage receiver buffer space available in the core and the core application. For additional information, see [Flow Control Credit Information](#).

Endpoint cores have a unique requirement where the user application must use advanced methods to prevent buffer overflows when requesting Non-Posted Read Requests from an upstream component. According to the specification, a PCI Express Endpoint is required to advertise infinite storage credits for Completion Transactions in its receivers. This means that Endpoints must internally manage Memory Read Requests transmitted upstream and not overflow the receiver when the corresponding Completions are received. The user application transmit logic must use Completion credit information presented to modulate the rate and size of Memory Read requests, to stay within the instantaneous Completion space available in the core receiver. For additional information, see [Appendix C, Managing Receive-Buffer Space for Inbound Completions](#).

Flow Control Credit Information

The integrated block provides the user application with information about the state of the Transaction Layer transmit and receive buffer credit pools. This information represents the current space available, as well as the credit "limit" and "consumed" information for the Posted, Non-Posted, and Completion pools.

Table 2-7, page 15 defines the Flow Control Credit signals. Credit status information is presented on these signals:

- fc_ph[7:0]
- fc_pd[11:0]
- fc_nph[7:0]
- fc_npd[11:0]
- fc_cplh[7:0]
- fc_cpld[11:0]

Collectively, these signals are referred to as fc_*.

The fc_* signals provide information about each of the six credit pools defined in the *PCI Express Base Specification: Header and Data Credits for Each of Posted, Non-Posted, and Completion*.

Six different types of flow control information can be read by the user application. The fc_sel[2:0] input selects the type of flow control information represented by the fc_* outputs. The Flow Control Information Types are shown in Table 3-15.

Table 3-15: Flow Control Information Types

fc_sel[2:0]	Flow Control Information Type
000	Receive Credits Available Space
001	Receive Credits Limit
010	Receive Credits Consumed
011	Reserved
100	Transmit Credits Available Space
101	Transmit Credit Limit
110	Transmit Credits Consumed
111	Reserved

The fc_sel[2:0] input can be changed on every clock cycle to indicate a different Flow Control Information Type. There is a two clock-cycle delay between the value of fc_sel[2:0] changing and the corresponding Flow Control Information Type being presented on the fc_* outputs for both 64-bit and 128-bit interface. Figure 3-56 illustrates the timing of the Flow Control Credits signals.

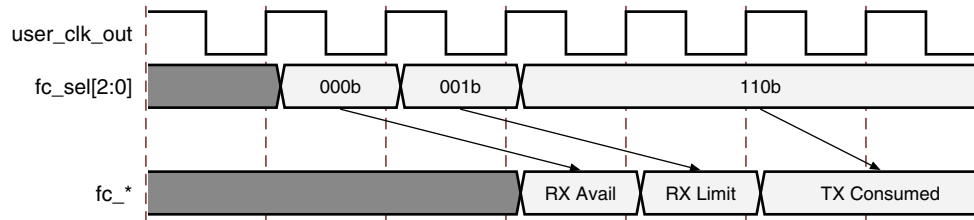


Figure 3-56: Flow Control Credits for the 64-Bit and 128-Bit Interfaces

The output values of the fc_* signals represent credit values as defined in the *PCI Express Base Specification* [Ref 2]. One Header Credit is equal to either a 3- or 4-DWORD TLP Header and one Data Credit is equal to 16 bytes of payload data. Initial credit information is available immediately after `user_lnk_up` assertion, but before the reception of any TLP. Table 3-16 defines the possible values presented on the fc_* signals. Initial credit information varies depending on the size of the receive buffers within the integrated block and the Link Partner.

Table 3-16: fc_* Value Definition

Header Credit Value	Data Credit Value	Meaning
00 – 7F	000 – 7FF	User credits
FF-80	FFF-800	Negative credits available ⁽¹⁾
7F	7FF	Infinite credits available ⁽¹⁾

Notes:

1. Only Transmit Credits Available Space indicate Negative or Infinite credits available.

Receive Credit Flow Control Information

Receive Credit Flow Control Information can be obtained by setting `fc_sel[2:0]` to 000b, 001b, or 010b. The Receive Credit Flow Control information indicates the current status of the receive buffers within the integrated block.

- **Receive Credits Available Space: `fc_sel[2:0] = 000b`**

Receive Credits Available Space shows the credit space available in the integrated block Transaction Layer local receive buffers for each credit pool. If space available for any of the credit pools is exhausted, the corresponding fc_* signal indicates a value of zero. Receive Credits Available Space returns to its initial values after the user application has drained all TLPs from the integrated block.

In the case where infinite credits is advertised to the Link Partner for a specific Credit pool, such as Completion Credits for Endpoints, the user application should use this value along with the methods described in [Appendix C, Managing Receive-Buffer Space for Inbound Completions](#) to avoid completion buffer overflow.

- **Receive Credits Limit: $fc_sel[2:0] = 001b$**

Receive Credits Limit shows the credits granted to the link partner. The fc_* values are initialized with the values advertised by the integrated block during Flow Control initialization and are updated as a cumulative count as TLPs are read out of the Transaction Layer receive buffers through the AXI4-Stream interface. This value is referred to as CREDITS_ALLOCATED within the *PCI Express Base Specification*.

In the case where infinite credits have been advertised for a specific credit pool, the Receive Buffer Credits Limit for that pool always indicates zero credits.

- **Receive Credits Consumed: $fc_sel[2:0] = 010b$**

Receive Buffer Credits Consumed shows the credits consumed by the link partner (and received by the integrated block). The initial fc_* values are always zero and are updated as a cumulative count, as packets are received by the Transaction Layers receive buffers. This value is referred to as CREDITS_RECEIVED in the *PCI Express Base Specification*.

Transmit Credit Flow Control Information

Transmit Credit Flow Control Information can be obtained by setting $fc_sel[2:0]$ to 100b, 101b, or 110b. The Transmit Credit Flow Control information indicates the current status of the receive buffers within the Link Partner.

- **Transmit Credits Available Space: $fc_sel[2:0] = 100b$**

Transmit Credits Available Space indicates the available credit space within the receive buffers of the Link Partner for each credit pool. If space available for any of the credit pools is exhausted, the corresponding fc_* signal indicates a value of zero or negative. Transmit Credits Available Space returns to its initial values after the integrated block has successfully sent all TLPs to the Link Partner.

If the value is negative, more header or data has been written into the local transmit buffers of the integrated block than the Link Partner can currently consume. Because the block does not allow posted packets to pass completions, a posted packet that is written is not transmitted if there is a completion ahead of it waiting for credits (as indicated by a zero or negative value). Similarly, a completion that is written is not transmitted if a posted packet is ahead of it waiting for credits. The user application can monitor the Transmit Credits Available Space to ensure that these temporary blocking conditions do not occur, and that the bandwidth of the PCI Express Link is fully utilized by only writing packets to the integrated block that have sufficient space within the Receive buffer of the Link Partner. Non-Posted packets can always be bypassed within the integrated block; so, any Posted or Completion packet written passes Non-Posted packets waiting for credits.

The Link Partner can advertise infinite credits for one or more of the three traffic types. Set the Header and Data credit outputs to their maximum value, as indicated in

Table 3-16, to indicate infinite credits.

- **Transmit Credits Limit: `fc_sel[2:0] = 101b`**

Transmit Credits Limit shows the receive buffer limits of the Link Partner for each credit pool. The `fc_*` values are initialized with the values advertised by the Link Partner during Flow Control initialization and are updated as a cumulative count as Flow Control updates are received from the Link Partner. This value is referred to as CREDITS_LIMIT in the *PCI Express Base Specification* [Ref 2].

In the case where infinite credits have been advertised for a specific Credit pool, the Transmit Buffer Credits Limit always indicates zero credits for that pool.

- **Transmit Credits Consumed: `fc_sel[2:0] = 110b`**

Transmit Credits Consumed show the credits consumed of the Receive Buffer of the Link Partner by the integrated block. The initial value is always zero and is updated as a cumulative count, as packets are transmitted to the Link Partner. This value is referred to as CREDITS_CONSUMED in the *PCI Express Base Specification*.

Designing with the Physical Layer Control and Status Interface

Physical Layer Control and Status enables the user application to change link width and speed in response to data throughput and power requirements.

Design Considerations for a Directed Link Change

These points should be considered during a Directed Link Change:

- Link change operation must be initiated only when `user_lnk_up` is asserted and the core is in the L0 state, as indicated by the `pl_ltssm_state[5:0]` signal.
- Link Width Change should not be used when Lane Reversal is enabled.
- Target Link Width of a Link Width Change operation must be equal to or less than the width indicated by `pl_initial_link_width` output.
- When `pl_link_upcfg_cap` is set to 1b, the PCI Express link is Upconfigure capable. This allows the link width to be varied between the Initial Negotiated Link Width and any smaller link width supported by both the Port and link partner (this is for link reliability or application reasons).
- If a link is not Upconfigure capable, the Negotiated link width can only be varied to a width less than the Negotiated Link Width that is supported by both the link partner and device.
- Before initiating a link speed change from 2.5 Gb/s to 5.0 Gb/s, the user application must ensure that the link is 5.0 Gb/s (Gen2) capable (that is, `pl_link_gen2_cap` is 1b) and the Link Partner is also Gen2 capable (`pl_link_partner_gen2_capable` is 1b).

- A link width change that benefits the application must be initiated only when `cfg_lcommand[9]` (the Hardware Autonomous Width Disable bit) is 0b. In addition, for both link speed and/or width change driven by application need, `pl_directed_link_auton` must be driven (1b). To restore the link width and speed to the original (higher) width and speed, set `pl_link_upcfg_cap` to 1b.
- If the user application directs the link to a width not supported by the link partner, the resulting link width is the next narrower mutually supported link width. For example, an 8-lane link is directed to a 4-lane operation, but the link partner supports only 1-lane train down operations. So, this would result in a 1-lane operation.
- The Endpoint should initiate directed link change only when the device is in D0 power state (`cfg_pmcsr_powerstate[1:0] = 00b`).
- A retrain should not be initiated using directed link change pins (Root or Endpoint) or by setting the retrain bit (Root only), if the `cfg_pcie_link_state = 101b` (transitioning to/from PPM L1) or 110b (transitioning to PPM L2/L3 Ready).
- To ease timing closure, it is permitted to check for the conditions specified above to be all simultaneously TRUE up to 16 user clock cycles before initiating a Directed Link Change. These conditions are:
 - `user_lnk_up == 1'b1`
 - `pl_ltssm_state[5:0] == 6'h16`
 - `cfg_lcommand[9] == 1'b0`
 - `cfg_pmcsr_powerstate[1:0] == 2'b00`
 - `cfg_pcie_link_state[2:0] != either 3'b101 or 3'b110`

Directed Link Width Change

Figure 3-57 shows the directed link width change process that must be implemented by the user application. Here `target_link_width[1:0]` is the application-driven new link width request.

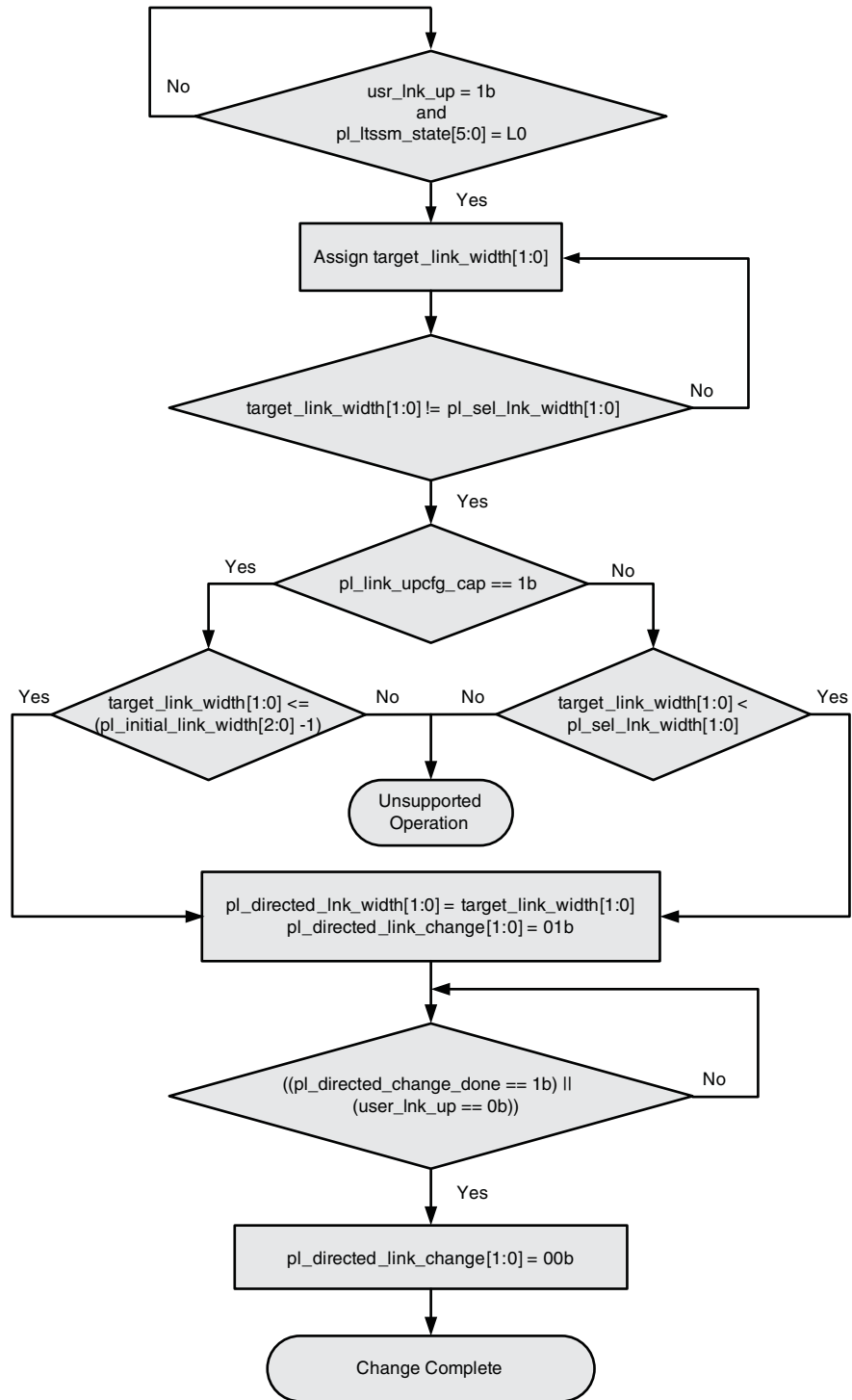


Figure 3-57: Directed Link Width Change

Directed Link Speed Change

Figure 3-58 shows the directed link speed change process that must be implemented by the user application. Here `target_link_speed` is the application-driven new link speed request.

Note: A link speed change should not be initiated on a Root Port by driving the `pl_directed_link_change` pin to 10 or 11 unless the attribute `RP_AUTO_SPD = 11`.

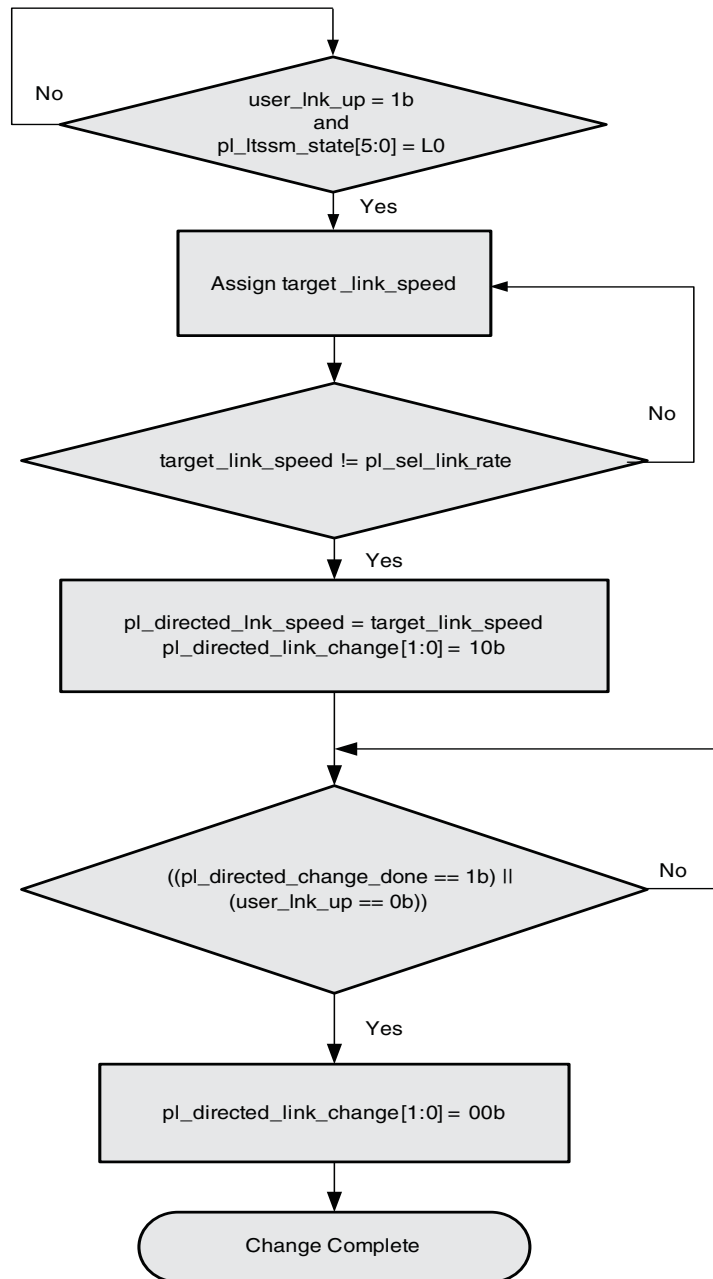


Figure 3-58: Directed Link Speed Change

Directed Link Width and Speed Change

Figure 3-59 shows the directed link width and speed change process that must be implemented by the user application. Here `target_link_width[1:0]` is the application-driven new link width request, and `target_link_speed` is the application-driven new link speed request.

Note: A link speed change should not be initiated on a Root Port by driving the `pl_directed_link_change` pin to 10 or 11 unless the attribute `RP_AUTO_SPD = 11`.

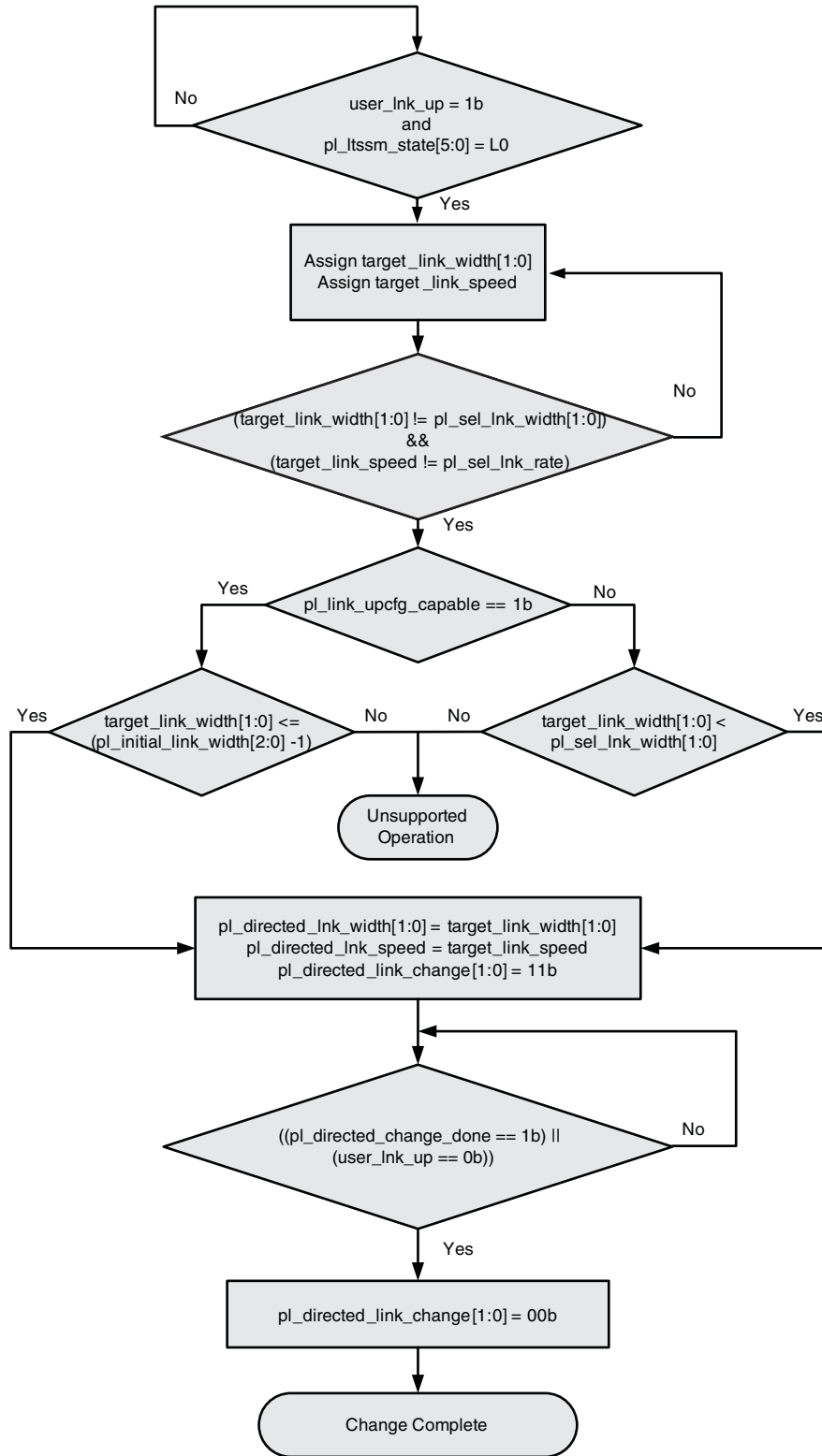


Figure 3-59: Directed Link Width and Speed Change

Designing with Configuration Space Registers and Configuration Interface

This section describes the use of the Configuration interface for accessing the PCI Express Configuration Space Type 0 or Type 1 registers that are part of the Integrated Block core. The Configuration interface includes a read/write Configuration Port for accessing the registers. In addition, some commonly used registers are mapped directly on the Configuration interface for convenience.

Registers Mapped Directly onto the Configuration Interface

The Integrated Block core provides direct access to select command and status registers in its Configuration Space. For Endpoints, the values in these registers are typically modified by Configuration Writes received from the Root Complex; however, the user application can also modify these values using the Configuration Port. In the Root Port configuration, the Configuration Port must always be used to modify these values. [Table 3-17](#) defines the command and status registers mapped to the configuration port.

Table 3-17: Command and Status Registers Mapped to the Configuration Port

Port Name	Direction	Description
cfg_bus_number[7:0]	Output	Bus Number: Default value after reset is 00h. Refreshed whenever a Type 0 Configuration Write packet is received.
cfg_device_number[4:0]	Output	Device Number: Default value after reset is 00000b. Refreshed whenever a Type 0 Configuration Write packet is received.
cfg_function_number[2:0]	Output	Function Number: Function number of the core, hardwired to 000b.
cfg_status[15:0]	Output	Status Register: Status register from the Configuration Space Header. Not supported.
cfg_command[15:0]	Output	Command Register: Command register from the Configuration Space Header.
cfg_dstatus[15:0]	Output	Device Status Register: Device status register from the PCI Express Capability Structure.
cfg_dcommand[15:0]	Output	Device Command Register: Device control register from the PCI Express Capability Structure.
cfg_dcommand2[15:0]	Output	Device Command 2 Register: Device control 2 register from the PCI Express Capability Structure.
cfg_lstatus[15:0]	Output	Link Status Register: Link status register from the PCI Express Capability Structure.
cfg_lcommand[15:0]	Output	Link Command Register: Link control register from the PCI Express Capability Structure.

Device Control and Status Register Definitions

cfg_bus_number[7:0], cfg_device_number[4:0], cfg_function_number[2:0]

Together, these three values comprise the core ID, which the core captures from the corresponding fields of inbound Type 0 Configuration Write accesses. The user application is responsible for using this core ID as the Requestor ID on any requests it originates, and using it as the Completer ID on any Completion response it sends. This core supports only one function; for this reason, the function number is hardwired to 000b.

cfg_status[15:0]

This output bus is not supported. This information can be retrieved by Read access of the Configuration Space in the 7 Series FPGAs Integrated Block for PCI Express using the Configuration Port.

cfg_command[15:0]

This bus reflects the value stored in the Command register in the PCI Configuration Space Header. [Table 3-18](#) provides the definitions for each bit in this bus. See the *PCI Express Base Specification* [Ref 2] for detailed information.

Table 3-18: Bit Mapping on Header Command Register

Bit	Name
cfg_command[15:11]	Reserved
cfg_command[10]	Interrupt Disable
cfg_command[9]	Fast Back-to-Back Transactions Enable (hardwired to 0)
cfg_command[8]	SERR Enable
cfg_command[7]	IDSEL Stepping/Wait Cycle Control (hardwired to 0)
cfg_command[6]	Parity Error Enable - Not Supported
cfg_command[5]	VGA Palette Snoop (hardwired to 0)
cfg_command[4]	Memory Write and Invalidate (hardwired to 0)
cfg_command[3]	Special Cycle Enable (hardwired to 0)
cfg_command[2]	Bus Master Enable
cfg_command[1]	Memory Address Space Decoder Enable
cfg_command[0]	I/O Address Space Decoder Enable

The user application must monitor the Bus Master Enable bit (cfg_command[2]) and refrain from transmitting requests while this bit is not set. This requirement applies only to requests; completions can be transmitted regardless of this bit.

The Memory Address Space Decoder Enable bit (cfg_command[1]) or the I/O Address Space Decoder Enable bit (cfg_command[0]) must be set to receive Memory or I/O requests. These bits are set by an incoming Configuration Write request from the system host.

cfg_dstatus[15:0]

This bus reflects the value stored in the Device Status register of the PCI Express Capabilities Structure. [Table 3-19](#) defines each bit in the `cfg_dstatus` bus. See the *PCI Express Base Specification* [Ref 2] for detailed information.

Table 3-19: Bit Mapping on PCI Express Device Status Register

Bit	Name
cfg_dstatus[15:6]	Reserved
cfg_dstatus[5]	Transaction Pending
cfg_dstatus[4]	AUX Power Detected (hardwired to 0)
cfg_dstatus[3]	Unsupported Request Detected
cfg_dstatus[2]	Fatal Error Detected
cfg_dstatus[1]	Non-Fatal Error Detected
cfg_dstatus[0]	Correctable Error Detected

cfg_dcommand[15:0]

This bus reflects the value stored in the Device Control register of the PCI Express Capabilities Structure. [Table 3-20](#) defines each bit in the `cfg_dcommand` bus. See the *PCI Express Base Specification* for detailed information.

Table 3-20: Bit Mapping of PCI Express Device Control Register

Bit	Name
cfg_dcommand[15]	Reserved
cfg_dcommand[14:12]	Max_Read_Request_Size
cfg_dcommand[11]	Enable No Snoop
cfg_dcommand[10]	Auxiliary Power PM Enable
cfg_dcommand[9]	Phantom Functions Enable
cfg_dcommand[8]	Extended Tag Field Enable
cfg_dcommand[7:5]	Max_Payload_Size
cfg_dcommand[4]	Enable Relaxed Ordering
cfg_dcommand[3]	Unsupported Request Reporting Enable
cfg_dcommand[2]	Fatal Error Reporting Enable
cfg_dcommand[1]	Non-Fatal Error Reporting Enable
cfg_dcommand[0]	Correctable Error Reporting Enable

cfg_lstatus[15:0]

This bus reflects the value stored in the Link Status register in the PCI Express Capabilities Structure. [Table 3-21](#) defines each bit in the `cfg_lstatus` bus. See the *PCI Express Base Specification* for details.

Table 3-21: Bit Mapping of PCI Express Link Status Register

Bit	Name
cfg_lstatus[15]	Link Autonomous Bandwidth Status
cfg_lstatus[14]	Link Bandwidth Management Status
cfg_lstatus[13]	Data Link Layer Link Active
cfg_lstatus[12]	Slot Clock Configuration
cfg_lstatus[11]	Link Training
cfg_lstatus[10]	Reserved
cfg_lstatus[9:4]	Negotiated Link Width
cfg_lstatus[3:0]	Current Link Speed

cfg_lcommand[15:0]

This bus reflects the value stored in the Link Control register of the PCI Express Capabilities Structure. Table 3-22 provides the definition of each bit in `cfg_lcommand` bus. See the *PCI Express Base Specification, rev. 2.1* for more details.

Table 3-22: Bit Mapping of PCI Express Link Control Register

Bit	Name
cfg_lcommand[15:12]	Reserved
cfg_lcommand[11]	Link Autonomous Bandwidth Interrupt Enable
cfg_lcommand[10]	Link Bandwidth Management Interrupt Enable
cfg_lcommand[9]	Hardware Autonomous Width Disable
cfg_lcommand[8]	Enable Clock Power Management
cfg_lcommand[7]	Extended Synch
cfg_lcommand[6]	Common Clock Configuration
cfg_lcommand[5] ⁽¹⁾	Retrain Link (Reserved for an Endpoint device)
cfg_lcommand[4]	Link Disable
cfg_lcommand[3]	Read Completion Boundary
cfg_lcommand[2]	Reserved
cfg_lcommand[1:0]	Active State Link PM Control

Notes:

1. During L1 negotiation, do not trigger a link retrain by writing a 1 to `cfg_lcommand[5]`. L1 negotiation can be observed by monitoring the `cfg_pcie_link_state` port.

cfg_dcommand2[15:0]

This bus reflects the value stored in the Device Control 2 register of the PCI Express Capabilities Structure. Table 3-23 defines each bit in the `cfg_dcommand` bus. See the *PCI Express Base Specification [Ref 2]* for detailed information.

Table 3-23: Bit Mapping of PCI Express Device Control 2 Register

Bit	Name
cfg_dcommand2[15:5]	Reserved
cfg_dcommand2[4]	Completion Timeout Disable
cfg_dcommand2[3:0]	Completion Timeout Value

Core Response to Command Register Settings

Table 3-24 and Table 3-25 illustrate the behavior of the core based on the Command Register settings when configured as either an Endpoint or a Root Port.

Table 3-24: Command Register (0x004): Endpoint

Bit	Name	Attr	Endpoint Core Behavior
0	I/O Space Enable	RW	The Endpoint does not permit a BAR hit on I/O space unless this is enabled.
1	Memory Space Enable	RW	The Endpoint does not permit a BAR hit on Memory space unless this is enabled.
2	Bus Master Enable	RW	The Endpoint does not enforce this; user could send a TLP through the AXI4-Stream interface.
5:3	Reserved	RO	Wired to 0. Not applicable to PCI Express.
6	Parity Error Response	RW	Enables Master Data Parity Error (Status[8]) to be set.
7	Reserved	RO	Wired to 0. Not applicable to PCI Express.
8	SERR# Enable	RW	Can enable Error NonFatal / Error Fatal Message generation, and enables Status[14] ("Signaled System Error").
9	Reserved	RO	Wired to 0. Not applicable to PCI Express.
10	Interrupt Disable	RW	If set to 1, the cfg_interrupt* interface is unable to cause INTx messages to be sent.
15:11	Reserved	RO	Wired to 0. Not applicable to PCI Express.

Table 3-25: Command Register (0x004): Root Port

Bit	Name	Attr	Root Port Core behavior
0	I/O Space Enable	RW	The Root Port ignores this setting. If disabled, it still accepts I/O TLP from the user side and passes downstream. The user application logic must enforce not sending I/O TLPs downstream if this is unset.
1	Memory Space Enable	RW	The Root Port ignores this setting. If disabled, it still accepts Mem TLPs from the user side and passes downstream. The user application logic must enforce not sending Mem TLPs downstream if this is unset.

Table 3-25: Command Register (0x004): Root Port (Cont'd)

Bit	Name	Attr	Root Port Core behavior
2	Bus Master Enable	RW	When set to 0, the Root Port responds to target transactions such as an Upstream Mem or I/O TLPs as a UR (that is, the UR bit is set if enabled or a Cpl w/ UR packet is sent if the TLP was Non-Posted). When set to 1, all target transactions are passed to the user.
5:3	Reserved	RO	Wired to 0. Not applicable to PCI Express.
6	Parity Error Response	RW	Enables Master Data Parity Error (Status[8]) to be set.
7	Reserved	RO	Wired to 0. Not applicable to PCI Express.
8	SERR# Enable	RW	If enabled, Error Fatal/Error Non-Fatal Messages can be forwarded from the AXI4-Stream interface or <code>cfg_err*</code> , or internally generated. The Root Port does not enforce the requirement that Error Fatal/Error Non-Fatal Messages received on the link not be forwarded if this bit is unset; instead, the user logic must do that. Note: Error conditions detected internal to the Root Port are indicated on <code>cfg_msg*</code> interface.
9	Reserved	RO	Wired to 0. Not applicable to PCI Express.
10	Interrupt Disable	RW	Not applicable to Root Port.
15:11	Reserved	RO	Wired to 0. Not applicable to PCI Express.

Status Register Response to Error Conditions

Table 3-26 through Table 3-28 illustrate the conditions that cause the Status Register bits to be set in the core when configured as either an Endpoint or a Root Port.

Table 3-26: Status Register (0x006): Endpoint

Bit	Name	Attr	Cause in an Endpoint
2:0	Reserved	RO	Wired to 0. Not applicable to PCI Express.
3	Interrupt Status	RO	<ul style="list-style-type: none"> Set when interrupt signaled by user. Clears when interrupt is cleared by the Interrupt handler.
4	Capabilities List	RO	Wired to 1.
7:5	Reserved	RO	Wired to 0. Not applicable to PCI Express.
8	Master Data Parity Error	RW1C	Set if Parity Error Response is set and a Poisoned Cpl TLP is received on the link, or a Poisoned Write TLP is sent.
10:9	Reserved	RO	Wired to 0. Not applicable to PCI Express.
11	Signaled Target Abort	RW1C	Set if a Completion with status Completer Abort is sent upstream by the user application through the <code>cfg_err*</code> interface.
12	Received Target Abort	RW1C	Set if a Completion with status Completer Abort is received.

Table 3-26: Status Register (0x006): Endpoint (Cont'd)

Bit	Name	Attr	Cause in an Endpoint
13	Received Master Abort	RW1C	Set if a Completion with status Unsupported Request is received.
14	Signaled System Error	RW1C	Set if an Error Non-Fatal / Error Fatal Message is sent, and SERR# Enable (Command[8]) is set.
15	Detected Parity Error	RW1C	Set if a Poisoned TLP is received on the link.

Table 3-27: Status Register (0x006): Root Port

Bit	Name	Attr	Cause in a Root Port
2:0	Reserved	RO	Wired to 0. Not applicable to PCI Express.
3	Interrupt Status	RO	Has no function in the Root Port.
4	Capabilities List	RO	Wired to 1.
7:5	Reserved	RO	Wired to 0. Not applicable to PCI Express.
8	Master Data Parity Error	RW1C	Set if Parity Error Response is set and a Poisoned Completion TLP is received on the link.
10:9	Reserved	RO	Wired to 0. Not applicable to PCI Express.
11	Signaled Target Abort	RW1C	Never set by the Root Port
12	Received Target Abort	RW1C	Never set by the Root Port
13	Received Master Abort	RW1C	Never set by the Root Port
14	Signaled System Error	RW1C	Set if the Root Port: <ul style="list-style-type: none"> Receives an Error Non-Fatal / Error Fatal Message and both SERR# Enable and Secondary SERR# enable are set. Indicates on the <code>cfg_msg*</code> interface that a Error Fatal / Error Non-Fatal Message should be generated upstream and SERR# enable is set.
15	Detected Parity Error	RW1C	Set if a Poisoned TLP is transmitted downstream.

Table 3-28: Secondary Status Register (0x01E): Root Port

Bit	Name	Attr	Cause in a Root Port
7:0	Reserved	RO	Wired to 0. Not applicable to PCI Express.
8	Secondary Master Data Parity Error	RW1C	Set when the Root Port: <ul style="list-style-type: none"> Receives a Poisoned Completion TLP, and Secondary Parity Error Response==1 Transmits a Poisoned Write TLP, and Secondary Parity Error Response==1
10:9	Reserved	RO	Wired to 0. Not applicable to PCI Express.

Table 3-28: Secondary Status Register (0x01E): Root Port

Bit	Name	Attr	Cause in a Root Port
11	Secondary Signaled Target Abort	RW1C	Set when user applicable indicates a Completer-Abort through <code>cfg_err_cpl_abort</code> .
12	Secondary Received Target Abort	RW1C	Set when the Root Port receives a Completion TLP with status Completer-Abort.
13	Secondary Received Master Abort	RW1C	Set when the Root Port receives a Completion TLP with status Unsupported Request
14	Secondary Received System Error	RW1C	Set when the Root Port receives an Error Fatal/ Error Non-Fatal Message.
15	Secondary Detected Parity Error	RW1C	Set when the Root Port receives a Poisoned TLP.

Accessing Registers through the Configuration Port

Configuration registers that are not directly mapped to the user interface can be accessed by configuration-space address using the ports shown in [Table 2-14, page 26](#). Root Ports must use the Configuration Port to set up the Configuration Space. Endpoints can also use the Configuration Port to read and write; however, care must be taken to avoid adverse system side effects.

The user application must supply the address as a DWORD address, not a byte address. To calculate the DWORD address for a register, divide the byte address by four. For example:

- The DWORD address of the Command/Status Register in the PCI Configuration Space Header is 01h. (The byte address is 04h.)
- The DWORD address for BAR0 is 04h. (The byte address is 10h.)

To read any register in configuration space, shown in [Table 2-21, page 41](#), the user application drives the register DWORD address onto `cfg_dwaddr[9:0]`. The core drives the content of the addressed register onto `cfg_do[31:0]`. The value on `cfg_do[31:0]` is qualified by signal assertion on `cfg_rd_wr_done`. [Figure 3-60](#) illustrates an example with two consecutive reads from the Configuration Space.

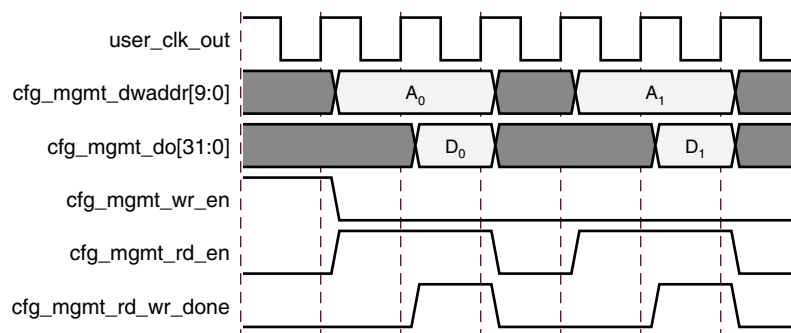


Figure 3-60: Example Configuration Space Read Access

Configuration Space registers which are defined as RW by the *PCI Local Bus Specification* and *PCI Express Base Specification* are writable through the Configuration Management interface. To write a register in this address space, the user application drives the register DWORD address onto `cfg_dwaddr[9:0]` and the data onto `cfg_di[31:0]`. This data is further qualified by `cfg_byte_en[3:0]`, which validates the bytes of data presented on `cfg_di[31:0]`. These signals should be held asserted until `cfg_rd_wr_done` is asserted.

[Figure 3-61](#) illustrates an example with two consecutive writes to the Configuration Space, the first write with the user application writing to all 32 bits of data, and the second write with the user application selectively writing to only bits [23:16].

Note: Writing to the Configuration Space could have adverse system side effects. Ensure these writes do not negatively impact the overall system functionality.

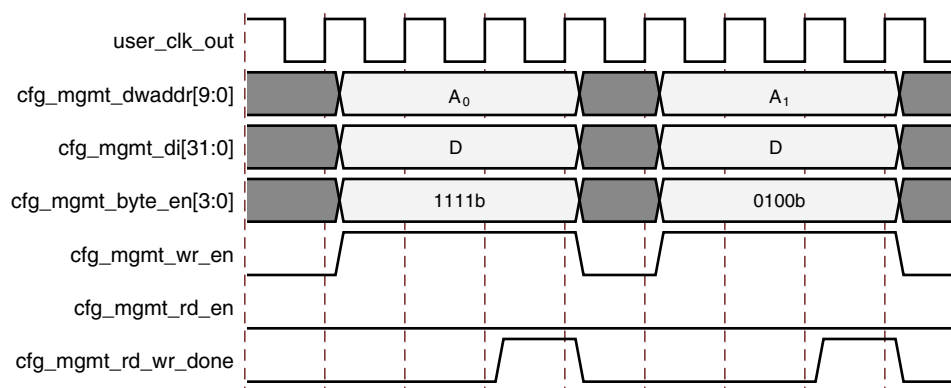


Figure 3-61: Example Configuration Space Write Access

Optional PCI Express Extended Capabilities

The core optionally implements up to five PCI Express Extended Capabilities in the following order:

1. Device Serial Number (DSN) Capability
2. Virtual Channel (VC) Capability
3. Vendor Specific (VSEC) Capability
4. Advanced Error Reporting (AER) Capability
5. Resizable BAR (RBAR) Capability

You can select which capabilities to enable in the Vivado IDE.

The Start addresses (Base Pointer address) of the five capability structures vary depending on the combination of capabilities enabled.

[Table 3-29](#) through [Table 3-33](#) define the start addresses of the five Extended Capability Structures, depending on the combination of PCI Express Extended Capabilities selected.

Table 3-29: DSN Base Pointer

	DSN Base Pointer
No Capabilities Selected	-
DSN Enabled	100h

Table 3-30: VC Capability Base Pointer

	VC Capability Base Pointer
No Capabilities Selected	-
Only VC Capability Enabled	100h
DSN and VC Capability Enabled	10Ch

Table 3-31: VSEC Capability Base Pointer

	VSEC Capability Base Pointer
No Capabilities Selected	-
Only VSEC Capability Enabled	100h
DSN and VSEC Capability Enabled	10Ch
DSN, VC Capability, and VSEC Capability Enabled	128h

Table 3-32: AER Capability Base Pointer

	AER Capability Base Pointer
No Capabilities Selected	-
Only AER Capability Enabled	100h
DSN and AER Capability Enabled	10Ch
VC Capability and AER Capability Enabled	11Ch
VSEC Capability and AER Capability Enabled	118h
DSN, VC Capability, and AER Capability Enabled	128h
DSN, VSEC Capability, and AER Capability Enabled	124h
VC Capability, VSEC Capability, and AER Capability Enabled	134h
DSN, VC Capability, VSEC Capability, and AER Capability Enabled	140h

Table 3-33: RBAR Capability Base Pointer

	RBAR Capability Base Pointer
No Capabilities Selected	-
Only RBAR Capability Enabled	100h
DSN and RBAR Capability Enabled	10Ch
VC Capability and RBAR Capability Enabled	11Ch
VSEC Capability and RBAR Capability Enabled	118h
AER Capability and RBAR Capability Enabled	138h

Table 3-33: RBAR Capability Base Pointer (Cont'd)

	RBAR Capability Base Pointer
DSN, VC Capability, and RBAR Capability Enabled	128h
DSN, VSEC Capability, and RBAR Capability Enabled	124h
DSN, AER Capability, and RBAR Capability Enabled	144h
VC Capability, VSEC Capability, and RBAR Capability Enabled	134h
VC Capability, AER Capability, and RBAR Capability Enabled	154h
VSEC Capability, AER Capability, and RBAR Capability Enabled	150h
DSN, VC Capability, VSEC Capability, and RBAR Capability Enabled	140h
DSN, VC Capability, AER Capability, and RBAR Capability Enabled	160h
DSN, VSEC Capability, AER Capability and RBAR Capability Enabled	15Ch
VC Capability, VSEC Capability, AER Capability, and RBAR Capability Enabled	16Ch
DSN, VC Capability, VSEC Capability, AER Capability, and RBAR Capability Enabled	178h

The rest of the PCI Express Extended Configuration Space is optionally available for you to implement.

Xilinx Defined Vendor Specific Capability

The core supports Xilinx defined Vendor Specific Capability that provides Control and Status for Loopback Master function for both the Root Port and Endpoint configurations.



RECOMMENDED: Use Loopback Master functionality to perform in-system test of the physical link only, that is, when the application is not active.

User logic is required to control the Loopback Master functionality by assessing the VSEC structure through the Configuration interface.

Figure 3-62 shows the VSEC structure in the PCIe Extended Configuration Space implemented in the integrated block.

31			0 Byte Offset
Next Capability Offset	Capability Version = 1h	PCI Express extended capability = 000Bh	00h
VSEC Length = 24 bytes	VSEC Rev = 0h	VSEC ID = 0h	04h
Loopback Control Register			08h
Loopback Status Register			0Ch
Loopback Error Count Register 1			10h
Loopback Error Count Register 2			14h

Figure 3-62: Xilinx Defined Vendor Specific Capability Structure

Loopback Control Register (Offset 08h)

The Loopback Control Register controls Xilinx Defined Loopback specific parameters. Table 3-34 shows the bit locations and definitions.

Table 3-34: Loopback Control Register

Bit Location	Register Description	Attributes
0	Start Loopback: When set to 1b and <i>pl_ltssm_state[5:0]</i> is indicating L0 (16H), the block transitions to Loopback Master state and starts the loopback test. When set to 0b, the block exits the loopback master mode. Note: The Start Loopback bit should not be set to 1b during a link speed change.	RW
1	Force Loopback: The loopback master can force the slave which fails to achieve symbol lock at specified link speed and de-emphasis level to enter the loopback.active state by setting this bit to 1b. The start bit must be set to 1b when force is set to 1b.	RW
3:2	Loopback Link Speed: Advertised link speed in the TS1s sent by master with loopback bit set to 1b. The master can control the loopback link speed by properly controlling these bits.	RW
4	Loopback De-emphasis: Advertised de-emphasis level in the TS1s sent by master. This also sets the De-emphasis level for the loopback slave.	RW
5	Loopback Modified Compliance: The loopback master generates modified compliance pattern when in loopback mode else compliance pattern is generated. Only one SKP OS is generated instead of two while in modified compliance.	RW
6	Loopback Suppress SKP OS: When this bit is set to 1b then SKP OS are not transmitted by Loopback Master. This bit is ignored when <i>send_modified_compliance</i> pattern is set to 0b.	RW
15:7	Reserved	RO
23:16	Reserved	RO
31:24	Reserved	RO

Loopback Status Register (Offset 0Ch)

The Loopback Status Register provides information about Xilinx Defined Loopback specific parameters. Table 3-35 shows the bit locations and definitions.

Table 3-35: Loopback Status Register

Bit Location	Register Description	Attributes
0	Loopback Slave: This bit is set by hardware, if the device is currently in loopback slave mode. When this bit is set to 1b, the Start Loopback bit must not be set to 1b.	RO
1	Loopback Slave Failed: This bit is set by Loopback Master hardware, when the master receives no TS1s while Loopback bit set to 1b, within 100 ms of "Loopback.Active". This bit is never set to 1b, when the Force Loopback bit is set to 1b. Setting the Start Loopback bit to 1b clears this bit to 0b.	RO

Table 3-35: Loopback Status Register (Cont'd)

Bit Location	Register Description	Attributes																		
7:2	Reserved	RO																		
15:8	Loopback Tested: These bits are set to 0b, when the Start Loopback bit is set to 1b. These bits are set to 1b when loopback test has been performed on a given lane and the Loopback_Err_count_n for the corresponding lane is valid. <table border="1"> <thead> <tr> <th>Bit Positions</th> <th>Lane</th> </tr> </thead> <tbody> <tr> <td>8</td> <td>Lane 0 Tested</td> </tr> <tr> <td>9</td> <td>Lane 1 Tested</td> </tr> <tr> <td>10</td> <td>Lane 2 Tested</td> </tr> <tr> <td>11</td> <td>Lane 3 Tested</td> </tr> <tr> <td>12</td> <td>Lane 4 Tested</td> </tr> <tr> <td>13</td> <td>Lane 5 Tested</td> </tr> <tr> <td>14</td> <td>Lane 6 Tested</td> </tr> <tr> <td>15</td> <td>Lane 7 Tested</td> </tr> </tbody> </table>	Bit Positions	Lane	8	Lane 0 Tested	9	Lane 1 Tested	10	Lane 2 Tested	11	Lane 3 Tested	12	Lane 4 Tested	13	Lane 5 Tested	14	Lane 6 Tested	15	Lane 7 Tested	RO
Bit Positions	Lane																			
8	Lane 0 Tested																			
9	Lane 1 Tested																			
10	Lane 2 Tested																			
11	Lane 3 Tested																			
12	Lane 4 Tested																			
13	Lane 5 Tested																			
14	Lane 6 Tested																			
15	Lane 7 Tested																			
31:16	Reserved	RO																		

Loopback Error Count Register 1 (Offset 10h)

The Loopback Error Count Register 1 provides information about the Error Count on the Physical Lanes 0 - 3, as tested by Xilinx Defined Loopback Control Test. A lane has an error count reported as zero if that lane was not tested in loopback. This could be if the lane is either not part of a configured port or has not detected a receiver at the other end.

Table 3-36 shows the bit locations and definitions.

Table 3-36: Loopback Error Count Register 1

Bit Location	Register Description	Attributes
7:0	Loopback Error Count 0: This specifies the Error Count on Lane 0. An error is said to have occurred if there is an 8B/10B error or disparity error signaled on the Lane. Setting Loopback Start bit to 1b clears the error count to 0h. This is only valid when Loopback Tested: Lane 0 Tested is set to 1b.	RO
15:8	Loopback Error Count 1: This specifies the Error Count on Lane 1. An error is said to have occurred if there is an 8B/10B error or disparity error signaled on the Lane. Setting Loopback Start bit to 1b clears the error count to 0h. This is only valid when Loopback Tested: Lane 1 Tested is set to 1b.	RO
23:16	Loopback Error Count 2: This specifies the Error Count on Lane 2. An error is said to have occurred if there is an 8B/10B error or disparity error signaled on the Lane. Setting Loopback Start bit to 1b clears the error count to 0h. This is only valid when Loopback Tested: Lane 2 Tested is set to 1b.	RO
31:24	Loopback Error Count 3: This specifies the Error Count on Lane 3. An error is said to have occurred if there is an 8B/10B error or disparity error signaled on the Lane. Setting Loopback Start bit to 1b clears the error count to 0h. This is only valid when Loopback Tested: Lane 3 Tested is set to 1b.	RO

Loopback Error Count Register 2 (Offset 14h)

The Loopback Error Count Register 2 provides information about the Error Count on the Physical Lanes 7 - 4, as tested by Xilinx Defined Loopback Control Test. A lane has an error count reported as zero if that lane was not tested in loopback. This could be the case the lane is either not part of configured port or has not detected a receiver at the other end.

[Table 3-37](#) shows the bit locations and definitions.

Table 3-37: Loopback Error Count Register 2

Bit Location	Register Description	Attributes
7:0	Loopback Error Count 4: This specifies the Error Count on Lane 4. An error is said to have occurred if there is an 8B/10B error or disparity error signaled on the Lane. Setting Loopback Start bit to 1b clears the error count to 0h. This is only valid when Loopback Tested: Lane 4 Tested is set to 1b.	RO
15:8	Loopback Error Count 5: This specifies the Error Count on Lane 5. An error is said to have occurred if there is an 8B/10B error or disparity error signaled on the Lane. Setting Loopback Start bit to 1b clears the error count to 0h. This is only valid when Loopback Tested: Lane 5 Tested is set to 1b.	RO
23:16	Loopback Error Count 6: This specifies the Error Count on Lane 6. An error is said to have occurred if there is an 8B/10B error or disparity error signaled on the Lane. Setting Loopback Start bit to 1b clears the error count to 0h. This is only valid when Loopback Tested: Lane 6 Tested is set to 1b.	RO
31:24	Loopback Error Count 7: This specifies the Error Count on Lane 7. An error is said to have occurred if there is an 8B/10B error or disparity error signaled on the lane. Setting Loopback Start bit to 1b clears the error count to 0h. This is only valid when Loopback Tested: Lane 7 Tested is set to 1b.	RO

Advanced Error Reporting Capability

The core implements the Advanced Error Reporting (AER) Capability structure as defined in *PCI Express Base Specification, rev. 2.1* [Ref 2]. All optional bits defined in the specification are supported. Multiple Header Logging is not supported.

When AER is enabled, the core responds to error conditions by setting the appropriate Configuration Space bit(s) and sending the appropriate error messages in the manner described in *PCI Express Base Specification, rev. 2.1*.

For additional signaling requirements when AER is enabled, see [AER Requirements, page 128](#).

Resizable BAR Capability

The core implements the Resizable BAR Capability structure as defined in *PCI Express Base Specification, rev. 2.1*. For more information on the Resizable BAR feature of the integrated block, see [Resizable BAR Implementation-Specific Information \(Endpoint Only\), page 129](#).

User-Implemented Configuration Space

The core enables you to optionally implement registers in the PCI Configuration Space, the PCI Express Extended Configuration Space, or both, in the user application. The user application must return Config Completions for all address within this space. For more information about enabling and customizing this feature, see [Chapter 4, Customizing and Generating the Core](#).

PCI Configuration Space

If you choose to implement registers within 0xA8 to 0xFF in the PCI Configuration Space, the start address of the address region you wish to implement can be defined during the core generation process.

The user application is responsible for generating all Completions to Configuration Reads and Writes from the user-defined start address to the end of PCI Configuration Space (0xFF). Configuration Reads to unimplemented registers within this range should be responded to with a Completion with 0x00000000 as the data, and configuration writes should be responded to with a successful Completion.

For example, to implement address range 0xC0 to 0xCF, there are several address ranges defined that should be treated differently depending on the access. See [Table 3-38](#) for more details on this example.

Table 3-38: Example: User-Implemented Space 0xC0 to 0xCF

Address Range	Configuration Writes	Configuration Reads
0x00 to 0xBF	The core responds automatically	The core responds automatically
0xC0 to 0xCF	The user application responds with Successful Completion	The user application responds with register contents
0xD0 to 0xFF	The user application responds with Successful Completion	The user application responds with 0x00000000

PCI Express Extended Configuration Space

The starting address of the region in the PCI Express Extended Configuration Space that is optionally available for you to implement depends on the PCI Express Extended Capabilities that you enabled in the core.

The core allows you to select the start address of the user-implemented PCI Express Extended Configuration Space, while generating and customizing the core. This space must be implemented in the user application. The user application is required to generate a Cpld with 0x00000000 for Configuration Read and successful Cpl for Configuration Write to addresses in this selected range not implemented in the user application.

You can choose to implement a User Configuration Space with a start address not adjacent to the last capability structure implemented by the core. In such a case, the core returns a completion with 0x00000000 for configuration accesses to the region that you have

chosen to not implement. [Table 3-39](#) further illustrates this scenario.

Table 3-39: Example: User-Defined Start Address for Configuration Space

Configuration Space	Byte Address
DSN Capability	100h - 108h
VSEC Capability	10Ch - 120h
Reserved Extended Configuration Space (The core returns successful completion with 0x00000000)	124h - 164h
User-Implemented PCI Express Extended Configuration Space	168h - 47Ch
User-Implemented Reserved PCI Express Extended Configuration Space (The user application returns successful completion with 0x00000000)	480h - FFFh

[Table 3-39](#) illustrates an example Configuration of the PCI Express Extended Configuration Space, with these settings:

- DSN Capability Enabled
- VSEC Capability Enabled
- User Implemented PCI Express Extended Configuration Space Enabled
- User Implemented PCI Express Extended Configuration Space Start Address 168h

In this configuration, the DSN Capability occupies the registers at 100h-108h, and the VSEC Capability occupies registers at addresses 10Ch to 120h.

The remaining PCI Express Extended Configuration Space, starting at address 124h is available to implement. For this example, registers in the address region starting 168h were chosen for implement. The core returns successful completions with 0x00000000 for Configuration accesses to registers 124h-164h. [Table 3-39](#) also illustrates a case where only registers from 168h to 47Ch are implemented. In this case, you are responsible for returning successful Completions with 0x00000000 for configuration accesses to 480h-FFFh.

Additional Packet Handling Requirements

The user application must manage the mechanisms described in this section to ensure protocol compliance, because the core does not manage them automatically.

Generation of Completions

The core does not generate Completions for Memory Reads or I/O requests made by a remote device. You must service these completions according to the rules specified in the *PCI Express Base Specification* [\[Ref 2\]](#).

Tracking Non-Posted Requests and Inbound Completions

The integrated block does not track transmitted I/O requests or Memory Reads that have yet to be serviced with inbound Completions. The user application is required to keep track of such requests using the Tag ID or other information.

One Memory Read request can be answered by several Completion packets. The user application must accept all inbound Completions associated with the original Memory Read until all requested data has been received.

The *PCI Express Base Specification* requires that an Endpoint advertise infinite Completion Flow Control credits as a receiver; the Endpoint can only transmit Memory Reads and I/O requests if it has enough space to receive subsequent Completions.

The integrated block does not keep track of receive-buffer space for Completion. Rather, it sets aside a fixed amount of buffer space for inbound Completions. The user application must keep track of this buffer space to know if it can transmit requests requiring a Completion response. See [Appendix C, Managing Receive-Buffer Space for Inbound Completions](#) for Inbound Completions for more information.

Handling Message TLPs

By default, the 7 Series FPGAs Integrated Block for PCI Express does not route any received messages to the AXI4-Stream interface. It signals the receipt of messages on the `cfg_msg_*` interface. However, to receive these messages in addition to signaling on this interface, enable this feature during customization of the core through the Vivado IDE.

Root Port Configuration

The Root Port of a PCI Express Root Complex does not send any internally generated messages on the PCI Express link, although messages can still be sent through the AXI4-Stream interface, such as a Set Slot Power Limit message. Any errors detected by the Integrated Block in Root Port configuration that could cause an error message to be sent are therefore signaled to the user application on the `cfg_msg_*` interface.

In Root Port configuration, the core also decodes received messages and signals these to the user application on this interface. When configured as a Root Port, the integrated block distinguishes between these received messages and error conditions detected internally by the asserting the `cfg_msg_received` signal.

Reporting User Error Conditions

The user application must report errors that occur during Completion handling using dedicated error signals on the core interface, and must observe the Device Power State before signaling an error to the core. If the user application detects an error (for example, a Completion Timeout) while the device has been programmed to a non-D0 state, the user

application is responsible to signal the error after the device is programmed back to the D0 state.

After the user application signals an error, the core reports the error on the PCI Express Link and also sets the appropriate status bit(s) in the Configuration Space. Because status bits must be set in the appropriate Configuration Space register, the user application cannot generate error reporting packets on the transmit interface. The type of error-reporting packets transmitted depends on whether or not the error resulted from a Posted or Non-Posted Request, and if AER is enabled or disabled. User-reported Posted errors cause Message packets to be sent to the Root Complex if enabled to do so through the Device Control Error Reporting bits and/or the Status SERR Enable bit, and the AER Mask bits (if AER enabled). User-reported non-Posted errors cause Completion packets with non-successful status to be sent to the Root Complex, unless the error is regarded as an Advisory Non-Fatal Error. If AER is enabled, user-reported non-Posted errors can also cause Message packets to be sent, if enabled by the AER Mask bits. For more information about Advisory Non-Fatal Errors, see Chapter 6 of the *PCI Express Base Specification*. Errors on Non-Posted Requests can result in either Messages to the Root Complex or Completion packets with non-Successful status sent to the original Requester.

Error Types

The user application triggers different types of errors using the signals defined in [Table 2-18, page 34](#).

- End-to-end CRC ECRC Error
- Unsupported Request Error
- Completion Timeout Error
- Unexpected Completion Error
- Completer Abort Error
- Correctable Error
- Atomic Egress Blocked Error
- Multicast Blocked Error
- Correctable Internal Error
- Malformed Error
- Poisoned Error
- Uncorrectable Internal Error

Multiple errors can be detected in the same received packet; for example, the same packet can be an Unsupported Request and have an ECRC error. If this happens, only one error should be reported. Because all user-reported errors have the same severity, the user application design can determine which error to report. The `cfg_err_posted` signal, combined with the appropriate error reporting signal, indicates what type of

error-reporting packets are transmitted. The user application can signal only one error per clock cycle. See [Figure 3-63](#), [Figure 3-64](#), and [Figure 3-65](#), and [Table 3-40](#) and [Table 3-41](#).

The user application must ensure that the device is in a D0 Power state prior to reporting any errors through the `cfg_err_` interface. The user application can ensure this by checking that the PMCSR PowerState (`cfg_pmcsr_pme_powerstate[1:0]`) is set to `2'b00`. If the PowerState is not set to `2'b00` (the core is in a non-D0 power state) and `PME_EN cfg_pmcsr_pme_en` is asserted (`1'b1`), you can assert (pulse) `cfg_pm_wake` and wait for the Root to set the PMCSR PowerState bits to `2'b00`. If the PowerState (`cfg_pmcsr_pme_powerstate`) is not equal to `2'b00` and `PME_EN cfg_pmcsr_pme_en` is deasserted (`1'b0`), you must wait for the Root to set the PowerState to `2'b00`.

Table 3-40: User-Indicated Error Signaling

User Reported Error	Internal Cause	AER Enabled	Action
None	None	Don't care	No action is taken.
<code>cfg_err_ur</code> && <code>cfg_err_posted = 0</code>	RX: <ul style="list-style-type: none"> • Bar Miss (NP TLP) • Locked TLP • Type1 Cfg • Non-Cpl TLP during PM mode • Poisoned TLP 	No	A completion with an Unsupported Request status is sent.
		Yes	A completion with an Unsupported Request status is sent. If enabled, a Correctable Error Message is sent.
<code>cfg_err_ur</code> && <code>cfg_err_posted = 1</code>	RX: <ul style="list-style-type: none"> • Bar Miss (Posted) TLP • Locked (Posted) TLP • Posted TLP during PM mode 	No	If enabled, a Non-Fatal Error Message is sent.
		Yes	Depending on the AER Severity register, either a Non-Fatal or Fatal Error Message is sent.
<code>cfg_err_cpl_abort</code> && <code>cfg_err_posted = 0</code>	Poisoned TLP	No	A completion with a Completer Abort status is sent. If enabled, a Non-Fatal Error Message is sent.
		Yes	A completion with a Completer Abort status is sent. If enabled, a Correctable Error Message is sent.
<code>cfg_err_cpl_abort</code> && <code>cfg_err_posted = 1</code>	ECRC Error	No	A completion with a Completer Abort status is sent. If enabled, a Non-Fatal Error Message is sent.
		Yes	Depending on the AER Severity register, either a Non-Fatal or Fatal Error Message is sent.
<code>cfg_err_cpl_timeout</code> && <code>cfg_err_no_recovery = 0</code>	Poisoned TLP	No	None (considered an Advisory Non-Fatal Error).
		Yes	If enabled, a Correctable Error Message is sent.

Table 3-40: User-Indicated Error Signaling (Cont'd)

User Reported Error	Internal Cause	AER Enabled	Action
cfg_err_cpl_timeout && cfg_err_no_recovery = 1	ECRC Error	No	If enabled, a Non-Fatal Error Message is sent.
		Yes	Depending on the AER Severity register, a Non-Fatal or Fatal Error Message is sent.
cfg_err_ecrc	ECRC Error	No	If enabled, a Non-Fatal Error Message is sent.
		Yes	Depending on the AER Severity register, either a Non-Fatal or Fatal Error Message is sent.
cfg_err_cor	RX: • PLM MGT Err • Replay TO • Replay Rollover • Bad DLLP • Bad TLP (crc/seq#) • Header Log Overflow ⁽¹⁾	Don't care	If enabled, a Correctable Error Message is sent.
cfg_err_internal_cor		Yes	
cfg_err_cpl_unexpect	Poisoned TLP	No	None (considered an Advisory Non-Fatal Error).
		Yes	If enabled, a Correctable Error Message is sent.
cfg_err_atomic_egress_blo cked	Poisoned TLP	No	None (considered an Advisory Non-Fatal Error).
		Yes	If enabled, a Correctable Error Message is sent.
cfg_err_malformed	RX: • Out-of-range ACK/ NAK • Malformed TLP • Buffer Overflow • FC error	No	If enabled, a Fatal Error Message is sent.
		Yes	Depending on the AER Severity register, either a Non-Fatal or Fatal Error Message is sent.
cfg_err_mc_blocked	ECRC Error	No	If enabled, a Non-Fatal Error Message is sent.
		Yes	Depending on the AER Severity register, either a Non-Fatal or Fatal Error Message is sent.
cfg_err_poisoned && cfg_err_no_recovery = 0	Poisoned TLP	No	None (considered an Advisory Non-Fatal Error).
		Yes	If enabled, a Correctable Error Message is sent.

Table 3-40: User-Indicated Error Signaling (Cont'd)

User Reported Error	Internal Cause	AER Enabled	Action
<code>cfg_err_poisoned</code> && <code>cfg_err_no_recovery = 1</code>	ECRC Error	No	If enabled, a Non-Fatal Error Message is sent.
		Yes	Depending on the AER Severity register, either a Non-Fatal or Fatal Error Message is sent.

Notes:

1. Only when AER is enabled.

Table 3-41: Possible Error Conditions for TLPs Received by the User Application

Received TLP Type	Possible Error Condition					Error Qualifying Signal Status	
	Unsupported Request (<code>cfg_err_ur</code>)	Completion Abort (<code>cfg_err_cpl_abort</code>)	Correctable Error (<code>cfg_err_cor</code>)	ECRC Error (<code>cfg_err_ecrc</code>)	Unexpected Completion (<code>cfg_err_cpl_unexpect</code>)	Value to Drive on (<code>cfg_err_posted</code>)	Drive Data on (<code>cfg_err_tlp_cpl_header[47:0]</code>)
Memory Write	3	X	N/A	3	X	1	No
Memory Read	3	3	N/A	3	X	0	Yes
I/O	3	3	N/A	3	X	0	Yes
Completion	X	X	N/A	3	3	1	No

Notes:

1. A checkmark indicates a possible error condition for a given TLP type. For example, you can signal Unsupported Request or ECRC Error for a Memory Write TLP, if these errors are detected. An X indicates not a valid error condition for a given TLP type. For example, you should never signal Completion Abort in response to a Memory Write TLP.

Whenever an error is detected in a Non-Posted Request, the user application deasserts `cfg_err_posted` and provides header information on `cfg_err_tlp_cpl_header[47:0]` during the same clock cycle the error is reported, as illustrated in [Figure 3-63](#). The additional header information is necessary to construct the required Completion with non-Successful status. Additional information about when to assert or deassert `cfg_err_posted` is provided in the remainder of this section.

If an error is detected on a Posted Request, the user application instead asserts `cfg_err_posted`, but otherwise follows the same signaling protocol. This results in a Non-Fatal Message to be sent, if enabled (see [Figure 3-64](#)).

If several non-Posted errors are signaled on `cfg_err_ur` or `cfg_err_cpl_abort` in a short amount of time, it is possible for the core to be unable to buffer them all. If that occurs, `cfg_err_cpl_rdy` is deasserted and you must cease signaling those types of errors on the same cycle. You must not resume signaling those types of errors until `cfg_err_cpl_rdy` is reasserted.

The ability of the core to generate error messages can be disabled by the Root Complex issuing a configuration write to the Endpoint core Device Control register and the PCI

Command register setting the appropriate bits to 0. For more information about these registers, see Chapter 7 of the *PCI Express Base Specification [Ref 2]*. However, error-reporting status bits are always set in the Configuration Space whether or not their Messages are disabled.

If AER is enabled, the root complex has fine-grained control over the ability and types of error messages generated by the Endpoint core by setting the Severity and Mask Registers in the AER Capability Structure. For more information about these registers, see Chapter 7 of the *PCI Express Base Specification, rev. 2.1*.

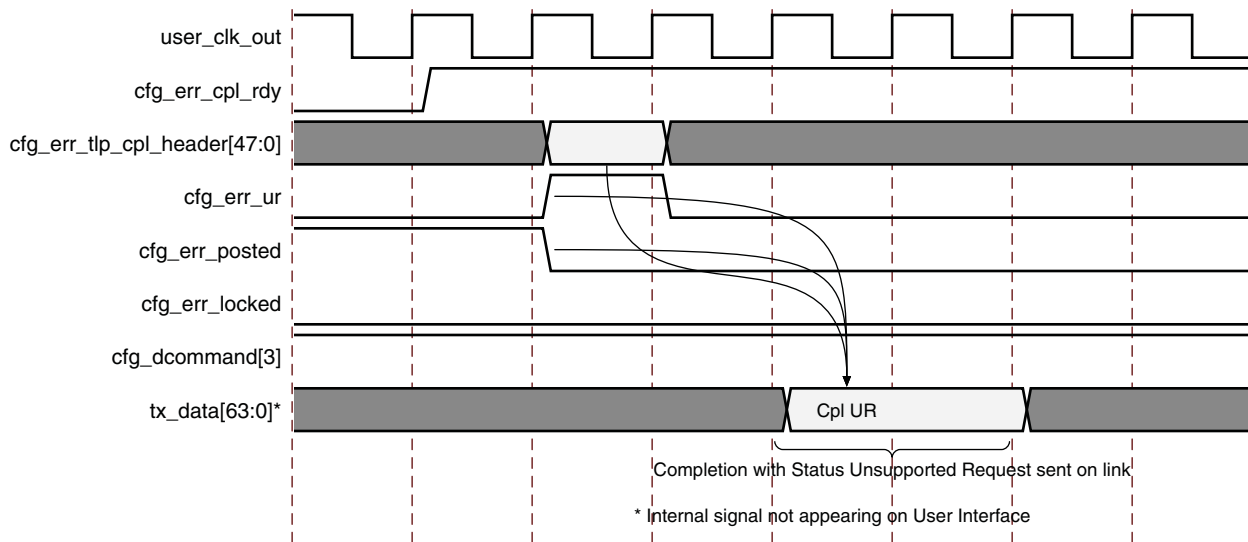


Figure 3-63: Signaling Unsupported Request for Non-Posted TLP

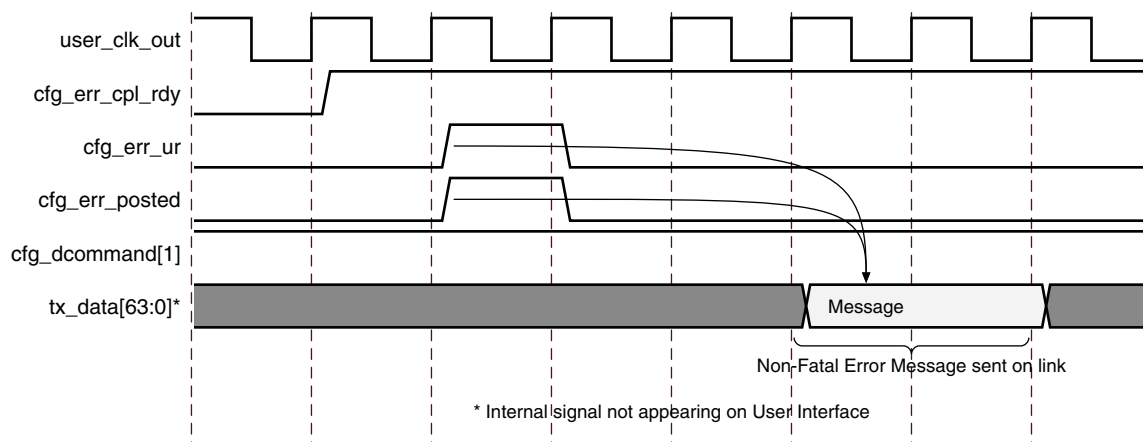


Figure 3-64: Signaling Unsupported Request for Posted TLP

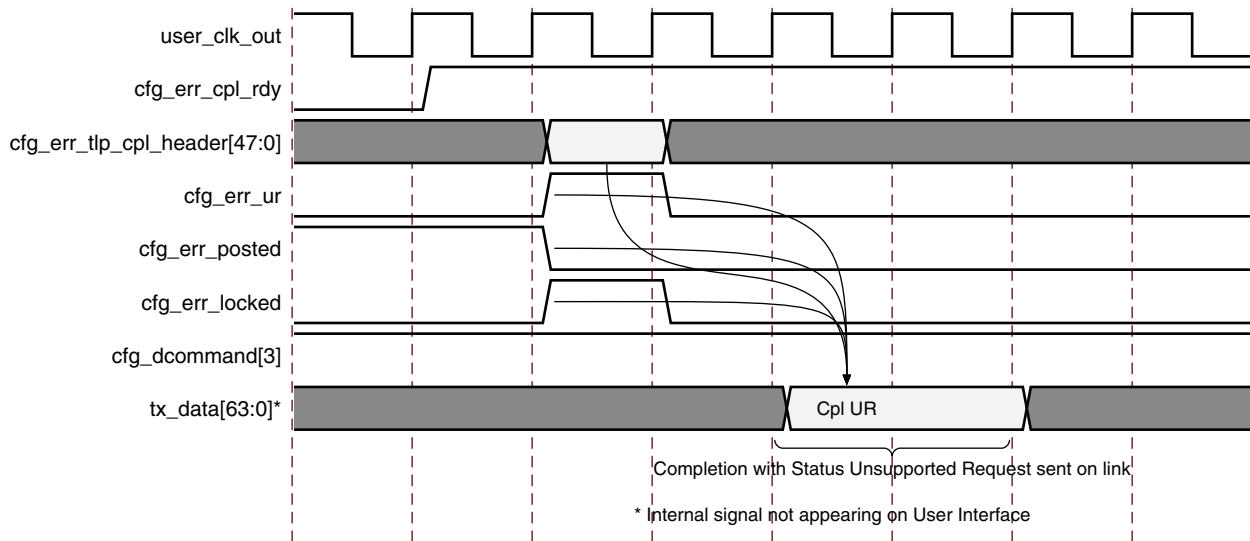


Figure 3-65: Signaling Locked Unsupported Request for Locked Non-Posted TLP

Completion Timeouts

The core does not implement Completion timers; for this reason, the user application must track how long its pending Non-Posted Requests have each been waiting for a Completion and trigger timeouts on them accordingly. The core has no method of knowing when such a timeout has occurred, and for this reason does not filter out inbound Completions for expired requests.

If a request times out, the user application must assert `cfg_err_cpl_timeout`, which causes an error message to be sent to the Root Complex. If a Completion is later received after a request times out, the user application must treat it as an Unexpected Completion.

Unexpected Completions

The core automatically reports Unexpected Completions in response to inbound Completions whose Requestor ID is different than the Endpoint ID programmed in the Configuration Space. These completions are not passed to the user application. The current version of the core regards an Unexpected Completion to be an Advisory Non-Fatal Error (ANFE), and no message is sent.

Completer Abort

If the user application is unable to transmit a normal Completion in response to a Non-Posted Request it receives, it must signal `cfg_err_cpl_abort`. The `cfg_err_posted` signal can also be set to 1 simultaneously to indicate Non-Posted and the appropriate request information placed on `cfg_err_tlp_cpl_header[47:0]`. This sends a Completion with non-Successful status to the original Requester, but does not send an Error Message. When in Legacy mode if the `cfg_err_locked` signal is set to 0 (to indicate the transaction causing the error was a locked transaction), a Completion Locked

with Non-Successful status is sent. If the `cfg_err_posted` signal is set to 1 (to indicate a Posted transaction), no Completion is sent, but a Non-Fatal Error Message is sent (if enabled).

Unsupported Request

If the user application receives an inbound Request it does not support or recognize, it must assert `cfg_err_ur` to signal an Unsupported Request. The `cfg_err_posted` signal must also be asserted or deasserted depending on whether the packet in question is a Posted or Non-Posted Request. If the packet is Posted, a Non-Fatal Error Message is sent out (if enabled); if the packet is Non-Posted, a Completion with a non-Successful status is sent to the original Requester. When in Legacy mode if the `cfg_err_locked` signal is set to 1 (to indicate the transaction causing the error was a locked transaction), a Completion Locked with Unsupported Request status is sent.

The Unsupported Request condition can occur for several reasons, including:

- An inbound Memory Write packet violates the programming model of the user application, for example, if the user application is allotted a 4 KB address space but only uses 3 KB, and the inbound packet addresses the unused portion.

Note: If this occurs on a Non-Posted Request, the user application should use `cfg_err_cpl_abort` to flag the error.

- An inbound packet uses a packet Type not supported by the user application, for example, an I/O request to a memory-only device.

ECRC Error

When enabled, the core automatically checks the ECRC field for validity. If an ECRC error is detected, the core responds by setting the appropriate status bits and an appropriate error message is sent, if enabled to do so in the configuration space.

If automatic ECRC checking is disabled, the user application can still signal an ECRC error by asserting `cfg_err_ecrc`. The user application should only assert `cfg_err_ecrc` if AER is disabled.

AER Requirements

Whenever the user application signals an error using one of the `cfg_err_*` inputs (for example, `cfg_err_ecrc_n`), it must also log the header of the TLP that caused the error. The user application provides header information on `cfg_err_aer_headerlog[127:0]` during the same clock cycle the error is reported. The user application must hold the header information until `cfg_err_aer_headerlog_set` is asserted.

`cfg_err_aer_headerlog_set` remains asserted until the Uncorrectable Error Status Register bit corresponding to the first error pointer is cleared (typically, through system software – see the *PCI Express Base Specification, v2.1* [Ref 2]). If

`cfg_err_aer_headerlog_set` is already asserted, there is already a header logged. Figure 3-66 illustrates the operation for AER header logging.

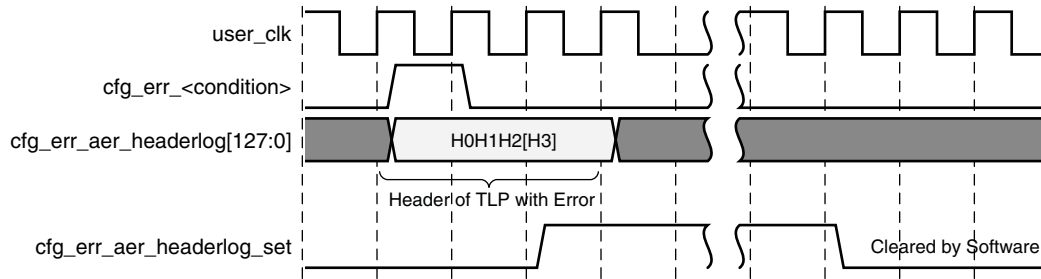


Figure 3-66: AER Header Logging

Resizable BAR Implementation-Specific Information (Endpoint Only)

The integrated block can support up to six resizable BARs; however, the BAR Index field of the Resizable BAR Capability Registers (0 through 5) must be in ascending order. For example, if Bar Index (0) is set to 4 (indicating it points to the BAR[4]), Bar Index (1) can be set to 5 and Bar Index (2 - 5) cannot be used and is disabled. In this example, if BAR[4] represents a 64-bit BAR (using BAR5 for the upper 32 bits), Bar Index(1) cannot be used.

When the Bar Size field of a Resizable BAR Capability is programmed, any value previously programmed in the corresponding BAR is cleared and the number of writable bits in that BAR is immediately changed to reflect the new size.

Error Detection

The *PCI Express Base Specification* identifies a number of errors a PCIe port should check for, and a number of additional optional checks.

Most of the required checks (including several of the optional checks) are carried out by the integrated block. Some, however, need to be implemented. The integrated block performs checks on received TLPs only. You must perform all checks on transmit TLPs. Details of checks made by the integrated block or you are shown in Table 3-42. This table is organized broadly in line with the sections of the *PCI Express Base Specification* describing how these checks should be made.

Table 3-42: Error Checking Summary

	PCI Express Specification Section	Check is Required or Optional	Where Check is Implemented
Checks Made Regarding TLPs with Data Payloads			
That the data payload of a TLP does not exceed Max_Payload_Size. Any TLP that violates this rule is a Malformed TLP.	2.2.2	Required	Integrated Block
That where a TLP includes data, the actual amount of data matches the value in the length field. Any TLP that violates this rule is a Malformed TLP.	2.2.2	Required	Integrated Block

Table 3-42: Error Checking Summary (Cont'd)

	PCI Express Specification Section	Check is Required or Optional	Where Check is Implemented
Checks Made Regarding TLP Digests			
That the presence (or absence) of a digest correctly reflects the setting of the TD field. Any TLP that violates this rule is a Malformed TLP.	2.2.3	Required	Integrated Block
Checks Made Regarding First/Last DWORD Byte Enable (1 DWORD = 32 bits)			
<ul style="list-style-type: none"> • That if length > 1 DWORD, then the first DWORD BE is not 0000 • That if length = 1 DWORD, then the last DWORD BE is 0000 • That if length > 1 DWORD, then the last DWORD BE is not 0000 • That the BEs are not non-contiguous for packets ≥ 3DW in length or 2 DWORD packets that are not QWORD aligned Any TLP that violates these rules is a Malformed TLP.	2.2.5	Optional	User
Checks Made Regarding Memory, I/O, and Configuration Requests			
That the tag field is the correct length for the current configuration. You must check the tag field for received and transmitted memory and I/O requests.	2.2.6.2	Optional	Integrated Block
That MWr requests do not specify an Address/Length combination that causes a Memory Space access to cross a 4 KB boundary. Any MWr request that violates this rule is treated as a Malformed TLP. For MRd requests, this optional check should be implemented in the FPGA logic, if desired.	2.2.7	Optional	Integrated Block
That I/O requests obey these restrictions: <ul style="list-style-type: none"> • TC[2:0] must be 000b • Attr[1:0] must be 00b • AT[1:0] must be 00b • Length[9:0] must be 00 0000 0001b • The last DW BE[3:0] must be 0000b Any I/O request that violates this rule is treated as a Malformed TLP.	2.2.7	Optional	Integrated Block
That configuration requests obey these restrictions: <ul style="list-style-type: none"> • TC[2:0] must be 000b • Attr[1:0] must be 00b • AT[1:0] must be 00b • Length[9:0] must be 00 0000 0001b • The last DW BE[3:0] must be 0000b Any configuration request that violates this rule is treated as a Malformed TLP.	2.2.7	Optional	Integrated Block
That configuration requests address a valid function number field.	7.3.2	Required	Integrated Block
Checks Made Regarding Message Requests			
That Assert_INTx/Deassert_INTx Messages are only issued by upstream Ports. Any Assert_INTx/Deassert_INTx Message that violates this rule is treated as a Malformed TLP.	2.2.8.1	Optional	Integrated Block

Table 3-42: Error Checking Summary (Cont'd)

	PCI Express Specification Section	Check is Required or Optional	Where Check is Implemented
That Assert_INTx/Deassert_INTx Messages use TC0. Any Assert_INTx/Deassert_INTx Message that violates this rule is treated as a Malformed TLP.	2.2.8.1	Required	Integrated Block
That Power Management Messages use TC0. Any PM Message that violates this rule is treated as a Malformed TLP.	2.2.8.2	Required	Integrated Block
That Error Signaling Messages use TC0. Any Error Signaling Message that violates this rule is treated as a Malformed TLP.	2.2.8.3	Required	Integrated Block
That Unlock Messages use TC0. Any Unlock Message that violates this rule is treated as a Malformed TLP.	2.2.8.4	Required	Integrated Block
That Set_Slot_Power_Limit Messages use TC0. Any Set_Slot_Power_Limit message that violates this rule is treated as a Malformed TLP.	2.2.8.5	Required	Integrated Block
Unsupported Type 0 Vendor-Defined Messages. Reported as unsupported requests. Note: Type 1 Vendor-Defined Messages should be ignored.	2.2.8.6	Required	User
Unsupported messages, that is, all messages other than: <ul style="list-style-type: none"> Supported Type 0 Vendor-Defined Messages (message code 01111110) Type 1 Vendor-Defined Messages (message code 01111111) Ignored Messages (messages codes 01000000, 01000001, 01000011, 01000100, 01000101, 01000111, 01001000) Reported as unsupported requests.	2.2.8.6, 2.2.8.7	Required	User
That Latency Tolerance Reporting Messages use TC0. Any Latency Tolerance Reporting message that violates this rule is treated as a Malformed TLP.	2.2.8.8	Optional	User
The TLPs containing a TLP Prefix must have an underlying TLP Header. A TLP that violates this rule is treated as a Malformed TLP.	2.2.10	Optional	User
That in a TLPs containing a combinations of Local and End-End TLP Prefixes, all Local TLP Prefixes precede any End-End TLP Prefixes. Any TLP that violates this rule is treated as a Malformed TLP.	2.2.10	Optional	User
It is an error to receive a TLP with a Local TLP Prefix type not supported by the Receiver. If the Extended Fmt Field Supported bit is set, any TLP that violates this rule is treated as a Malformed TLP.	2.2.10.1	Optional	User
That the maximum number of End-End TLP Prefixes permitted in a TLP is 4. Any TLP that violates this rule is treated as a Malformed TLP.	2.2.10.2	Optional	User
It is an error to receive a TLP with End-End TLP Prefix by a Receiver that does not support End-End Prefixes. Any TLP that violates this rule is treated as a Malformed TLP.	2.2.10.2	Optional	User
Checks Made Regarding Handling of TLPs			
If the Extended Fmt Field Supported bit is set, Received TLPs that use encodings of Fmt and Type that are Reserved are treated as Malformed TLPs.	2.3	Optional	User

Table 3-42: Error Checking Summary (Cont'd)

	PCI Express Specification Section	Check is Required or Optional	Where Check is Implemented
That TLPs with Fmt[2] clear and that use undefined Type field values are treated as Malformed TLPs.	2.3	Optional	User
That any received TLP passes the required and implemented optional checks on TLP formation. Any TLP that violates this rule is a malformed TLP. You must generate the appropriate completion TLP.	2.3	Required	Integrated Block
That Memory Read Request-Locked (MRdLk) requests do not include a payload. You must discard any MRdLk requests with payload and signal a malformed TLP.	2.3	Required	User
That a Completion with Data (CpID) has a 3DW header. Any CpID with a 4DW header must be discarded and a malformed TLP must be signaled.	2.3	Required	User
That an I/O request has a 3DW header. Any I/O request with a 4DW header must be discarded and a malformed TLP must be signaled.	2.2.7	Required	User
That the byte enable rules for received memory reads are followed. If not, TLP must be discarded and a malformed TLP must be signaled.	2.2.5	Required	User
Checks Made Regarding Request Handling			
Unsupported request types. Reported as an unsupported request. You must generate the appropriate completion TLP.	2.3.1	Required	Integrated Block
Requests that violate the programming model of the device. Reported as a completer abort. You must generate the appropriate completion TLP.	2.3.1	Optional	User
Requests that cannot be processed due to a device-specific error condition. Reported as a completer abort. You must generate the appropriate completion TLP.	2.3.1	Required	User
That completions do not include more data than permitted by the Max_Payload_Size. Any completion that violates this rule is treated as a Malformed TLP.	2.3.1.1	Required	Integrated Block
Violations of RCB. Any completion that violates the RCB rules is treated as a Malformed TLP.	2.3.1.1	Optional	User
Checks Made Regarding Completion Handling			
Unexpected completions.	2.3.2	Required	User
Completions with a status of request retry for requests other than configuration requests. Treated as a malformed TLP.	2.3.2	Optional	User
Completions with a completion status of unsupported request or completer abort. Reported through conventional PCI reporting mechanisms.	2.3.2	Required	User
Checks Made Regarding Virtual Channel Mechanism			
That requesters that do not support the VC capability structure only operate on TC0. Received requests on TC1-TC7 must be handled normally (without error) and completions must be returned on the same TC in which the request was received.	2.5	Optional	User

Table 3-42: Error Checking Summary (Cont'd)

	PCI Express Specification Section	Check is Required or Optional	Where Check is Implemented
That the TC associated with each TLP is mapped to an enabled VC at an Ingress Port. Any TLP that violates this rule is treated as a Malformed TLP.	2.5.3	Required	Integrated Block
Checks Made Regarding Flow Control			
That the initial FC value is greater than or equal to the minimum advertisement. Reported as a flow control protocol error. Requires knowledge of the device and the Max Payload Size setting at the far end of the link.	2.6.1	Optional	User
That no receiver ever cumulatively issues more than 2047 outstanding unused data credits or 127 outstanding unused header credits. Reported as a flow control protocol error.	2.6.1	Optional	Integrated Block
That if infinite credits are advertised during initialization, all updates must also be infinite. Reported as a flow control protocol error. This also applies where just a header or just the data has been advertised as infinite.	2.6.1	Optional	Integrated Block
That the VC used by a TLP has been enabled. Any TLP that violates this rule is treated as a Malformed TLP.	2.6.1	Required	Integrated Block
Receiver Overflow. The <i>PCI Express Base Specification</i> defines this as happening where the number of TLPs exceeds CREDITS_ALLOCATED.	2.6.1.2	Optional	Integrated Block
That Update FCPs are scheduled for transmission at the specified interval.	2.6.1.2	Optional	Integrated Block
Checks Made Regarding Data Integrity			
Integrity of TD bit in messages received and forwarded by switches. Any failed ECRC checks are reported.	2.7.1	Required	Integrated Block ⁽¹⁾
Receipt of a Poisoned TLP.	2.7.2.2	Required	User
Checks Made Regarding Completion Timeout			
That the completion timeout timer does not expire in less than 50 μ s but must expire if a request is not completed in 50 ms.	2.8	Required	User
Checks Made Regarding LCRC and Sequence Number (TLP Transmitter)			
REPLAY_NUM rolling over from 11b to 00b. Causes the Transmitter to: (a) report an error; (b) signal the Physical Layer to retrain the Link.	3.5.2.1	Required	Integrated Block
Retry buffer containing TLPs for which no Ack or Nak DLLP has been received for a period exceeding specified maximum time. Causes the Transmitter to: (a) report an error; (b) initiate a replay.	3.5.2.1	Required	Integrated Block
Value in the CRC field of all received DLLPs compared with calculated result. If not equal: (a) the DLLP is discarded as corrupt; (b) an error is reported.	3.5.2.1	Required	Integrated Block
Sequence Number specified by the AckNak_Seq_Num compared with that of unacknowledged TLPs and value in ACKD_SEQ. If no match found: (a) the DLLP is discarded; (b) a DLLP error is reported.	3.5.2.1	Required	Integrated Block

Table 3-42: Error Checking Summary (Cont'd)

	PCI Express Specification Section	Check is Required or Optional	Where Check is Implemented
Checks Made Regarding LCRC and Sequence Number (TLP Receiver)			
LCRC field of the received TLP compared with calculated result. If not equal: (a) the TLP is discarded as corrupt; (b) an error is reported.	3.5.3.1	Required	Integrated Block
LCRC field of the received TLP compared with logical NOT of calculated result if TLP end framing symbol is EDB. LCRC does not match logical NOT of the calculated value: (a) the TLP is discarded as corrupt; (b) an error is reported.	3.5.3.1	Required	Integrated Block
TLP Sequence Number compared with expected value stored in NEXT_RCV_SEQ. If not equal, an error is reported.	3.5.3.1	Required	Integrated Block
Checks Resulting in Receiver Errors			
Validity of received 8B/10B symbols bearing in mind the running disparity. Errors reported as Receiver Errors.	4.2.1.3	Required	Integrated Block
Framing Errors, Loss of Symbol Lock, Lane Deskew Errors, and Elasticity Buffer Overflow/Underflow. Errors reported as Receiver Errors.	4.2.2.1	Optional	User

Notes:

1. The integrated block checks the ECRC depending on the customizable ECRC check setting.

Power Management

The core supports these power management modes:

- Active State Power Management (ASPM)
- Programmed Power Management (PPM)

Implementing these power management functions as part of the PCI Express design enables the PCI Express hierarchy to seamlessly exchange power-management messages to save system power. All power management message identification functions are implemented. The subsections in this section describe the user logic definition to support the above modes of power management.

For additional information on ASPM and PPM implementation, see the *PCI Express Base Specification* [Ref 2].

Active State Power Management

The Active State Power Management (ASPM) functionality is autonomous and transparent from a user-logic function perspective. The core supports the conditions required for ASPM. The integrated block supports ASPM L0s.

Programmed Power Management

To achieve considerable power savings on the PCI Express hierarchy tree, the core supports these link states of Programmed Power Management (PPM):

- L0: Active State (data exchange state)
- L1: Higher Latency, lower power standby state
- L3: Link Off State

The Programmed Power Management Protocol is initiated by the Downstream Component/Upstream Port.

PPM L0 State

The L0 state represents *normal* operation and is transparent to the user logic. The core reaches the L0 (active state) after a successful initialization and training of the PCI Express Link(s) as per the protocol.

PPM L1 State

These steps outline the transition of the core to the PPM L1 state:

1. The transition to a lower power PPM L1 state is always initiated by an upstream device, by programming the PCI Express device power state to D3-hot (or to D1 or D2 if they are supported).
2. The device power state is communicated to the user logic through the `cfg_pmcsr_powerstate[1:0]` output.
3. The core then throttles/stalls the user logic from initiating any new transactions on the user interface by deasserting `s_axis_tx_tready`. Any pending transactions on the user interface are, however, accepted fully and can be completed later.

There are two exceptions to this rule:

- The core is configured as an Endpoint and the User Configuration Space is enabled. In this situation, you must refrain from sending new Request TLPs if `cfg_pmcsr_powerstate[1:0]` indicates non-D0, but you can return Completions to Configuration transactions targeting User Configuration space.
 - The core is configured as a Root Port. To be compliant in this situation, refrain from sending new Requests if `cfg_pmcsr_powerstate[1:0]` indicates non-D0.
4. The core exchanges appropriate power management DLLPs with its link partner to successfully transition the link to a lower power PPM L1 state. This action is transparent to the user logic.
 5. All user transactions are stalled for the duration of time when the device power state is non-D0, with the exceptions indicated in step 3.

Note: The user logic, after identifying the device power state as non-D0, can initiate a request through the `cfg_pm_wake` to the upstream link partner to configure the device back to the D0 power state. If the upstream link partner has not configured the device to allow the generation of PM_PME messages (`cfg_pmcsr_pme_en = 0`), the assertion of `cfg_pm_wake` is ignored by the core.

PPM L3 State

These steps outline the transition of the Endpoint for PCI Express to the PPM L3 state:

1. The core negotiates a transition to the L23 Ready Link State upon receiving a `PME_Turn_Off` message from the upstream link partner.
2. Upon receiving a `PME_Turn_Off` message, the core initiates a handshake with the user logic through `cfg_to_turnoff` (see [Table 3-43](#)) and expects a `cfg_turnoff_ok` back from the user logic.
3. A successful handshake results in a transmission of the Power Management Turn-off Acknowledge (`PME-turnoff_ack`) Message by the core to its upstream link partner.
4. The core closes all its interfaces, disables the Physical/Data-Link/Transaction layers and is ready for *removal* of power to the core.

There are two exceptions to this rule:

- The core is configured as an Endpoint and the User Configuration Space is enabled. In this situation, refrain from sending new Request TLPs if `cfg_pmcsr_powerstate[1:0]` indicates non-D0, but you can return Completions to Configuration transactions targeting User Configuration space.
- The core is configured as a Root Port. To be compliant in this situation, refrain from sending new Requests if `cfg_pmcsr_powerstate[1:0]` indicates non-D0.

Table 3-43: Power Management Handshaking Signals

Port Name	Direction	Description
<code>cfg_to_turnoff</code>	Output	Asserted if a power-down request TLP is received from the upstream device. After assertion, <code>cfg_to_turnoff</code> remains asserted until the user application asserts <code>cfg_turnoff_ok</code> .
<code>cfg_turnoff_ok</code>	Input	Asserted by the user application when it is safe to power down.

Power-down negotiation follows these steps:

1. Before power and clock are turned off, the Root Complex or the Hot-Plug controller in a downstream switch issues a `PME_Turn_Off` broadcast message.
2. When the core receives this TLP, it asserts `cfg_to_turnoff` to the user application and starts polling the `cfg_turnoff_ok` input.
3. When the user application detects the assertion of `cfg_to_turnoff`, it must complete any packet in progress and stop generating any new packets. After the user application

is ready to be turned off, it asserts `cfg_turnoff_ok` to the core. After assertion of `cfg_turnoff_ok`, the user application has committed to being turned off.

4. The core sends a `PME_TO_Ack` when it detects assertion of `cfg_turnoff_ok`, as displayed in [Figure 3-67](#) (64-bit).

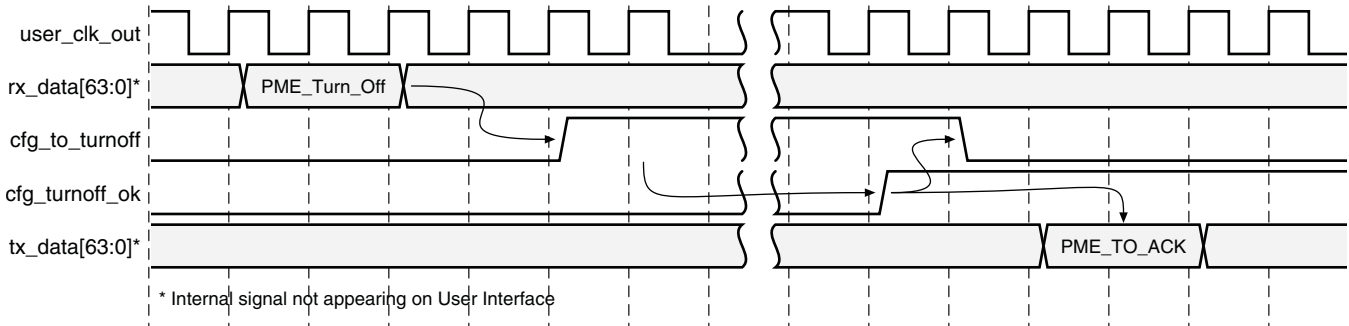


Figure 3-67: Power Management Handshaking: 64-Bit

Generating Interrupt Requests

Note: This section is only applicable to the Endpoint Configuration of the 7 Series FPGAs Integrated Block for PCI Express core.

The core supports sending interrupt requests as either legacy, Message MSI, or MSI-X interrupts. The mode is programmed using the MSI Enable bit in the Message Control Register of the MSI Capability Structure and the MSI-X Enable bit in the MSI-X Message Control Register of the MSI-X Capability Structure. For more information on the MSI and MSI-X capability structures, see section 6.8 of the *PCI Local Base Specification v3.0* [Ref 2].

The state of the MSI Enable and MSI-X Enabled bits are reflected by the `cfg_interrupt_msienable` and `cfg_interrupt_msixenable` outputs, respectively. [Table 3-44](#) describes the Interrupt Mode the device has been programmed to, based on the `cfg_interrupt_msienable` and `cfg_interrupt_msixenable` outputs of the core.

Table 3-44: Interrupt Modes

	<code>cfg_interrupt_msixenable=0</code>	<code>cfg_interrupt_msixenable=1</code>
<code>cfg_interrupt_msienable=0</code>	Legacy Interrupt (INTx) mode. The <code>cfg_interrupt</code> interface only sends INTx messages.	MSI-X mode. You must generate MSI-X interrupts by composing MWr TLPs on the transmit AXI4-Stream interface; Do not use the <code>cfg_interrupt</code> interface. The <code>cfg_interrupt</code> interface is active and sends INTx messages, but refrain from doing so.
<code>cfg_interrupt_msienable=1</code>	MSI mode. The <code>cfg_interrupt</code> interface only sends MSI interrupts (MWr TLPs).	Undefined. System software is not supposed to permit this. However, the <code>cfg_interrupt</code> interface is active and sends MSI interrupts (MWr TLPs) if you choose to do so.

The MSI Enable bit in the MSI control register, the MSI-X Enable bit in the MSI-X Control Register, and the Interrupt Disable bit in the PCI Command register are programmed by the Root Complex. The user application has no direct control over these bits.

The Internal Interrupt Controller in the core only generates Legacy Interrupts and MSI Interrupts. MSI-X Interrupts need to be generated by the user application and presented on the transmit AXI4-Stream interface. The status of `cfg_interrupt_msienable` determines the type of interrupt generated by the internal Interrupt Controller:

If the MSI Enable bit is set to a 1, then the core generates MSI requests by sending Memory Write TLPs. If the MSI Enable bit is set to 0, the core generates legacy interrupt messages as long as the Interrupt Disable bit in the PCI Command Register is set to 0:

- `cfg_command[10] = 0`: INTx interrupts enabled
- `cfg_command[10] = 1`: INTx interrupts disabled (request are blocked by the core)
- `cfg_interrupt_msienable = 0`: Legacy Interrupt
- `cfg_interrupt_msienable = 1`: MSI

Regardless of the interrupt type used (Legacy or MSI), initiate interrupt requests through `cfg_interrupt` and `cfg_interrupt_rdy` as shown in [Table 3-45](#).

Table 3-45: Interrupt Signalling

Port Name	Direction	Description
<code>cfg_interrupt</code>	Input	Assert to request an interrupt. Leave asserted until the interrupt is serviced.
<code>cfg_interrupt_rdy</code>	Output	Asserted when the core accepts the signaled interrupt request.

The user application requests interrupt service in one of two ways, each of which are described next.

Legacy Interrupt Mode

- As shown in [Figure 3-68](#), the user application first asserts `cfg_interrupt` and `cfg_interrupt_assert` to assert the interrupt. The user application should select a specific interrupt (INTA) using `cfg_interrupt_di[7:0]` as shown in [Table 3-46](#).
- The core then asserts `cfg_interrupt_rdy` to indicate the interrupt has been accepted. On the following clock cycle, the user application deasserts `cfg_interrupt` and, if the Interrupt Disable bit in the PCI Command register is set to 0, the core sends an assert interrupt message (Assert_INTA).
- After the user application has determined that the interrupt has been serviced, it asserts `cfg_interrupt` while deasserting `cfg_interrupt_assert` to deassert the interrupt. The appropriate interrupt must be indicated by `cfg_interrupt_di[7:0]`.

- The core then asserts `cfg_interrupt_rdy` to indicate the interrupt deassertion has been accepted. On the following clock cycle, the user application deasserts `cfg_interrupt` and the core sends a deassert interrupt message (Deassert_INTA).

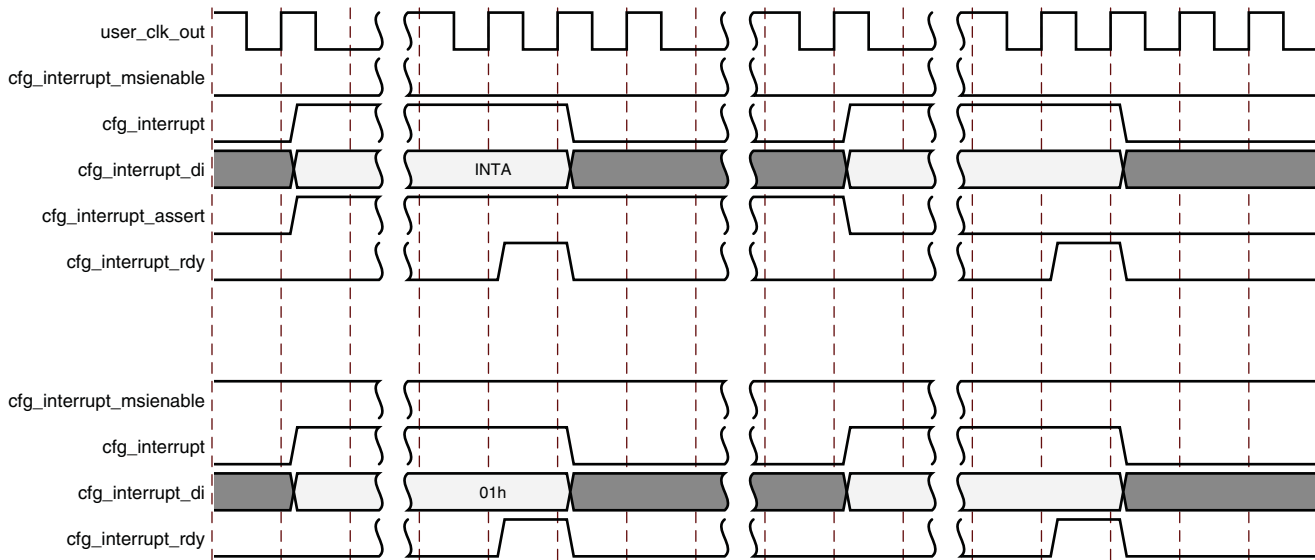


Figure 3-68: Requesting Interrupt Service: MSI and Legacy Mode

Table 3-46: Legacy Interrupt Mapping

<code>cfg_interrupt_di[7:0]</code> value	Legacy Interrupt
00h	INTA
01h - FFh	Not Supported

MSI Mode

- As shown in Figure 3-68, the user application first asserts `cfg_interrupt`. Additionally the user application supplies a value on `cfg_interrupt_di[7:0]` if Multi-Vector MSI is enabled.
- The core asserts `cfg_interrupt_rdy` to signal that the interrupt has been accepted and the core sends a MSI Memory Write TLP. On the following clock cycle, the user application deasserts `cfg_interrupt` if no further interrupts are to be sent.

The MSI request is either a 32-bit addressable Memory Write TLP or a 64-bit addressable Memory Write TLP. The address is taken from the Message Address and Message Upper Address fields of the MSI Capability Structure, while the payload is taken from the Message Data field. These values are programmed by the system software through configuration writes to the MSI Capability structure. When the core is configured for Multi-Vector MSI, system software can permit Multi-Vector MSI messages by programming a non-zero value to the Multiple Message Enable field.

The type of MSI TLP sent (32-bit addressable or 64-bit addressable) depends on the value of the Upper Address field in the MSI capability structure. By default, MSI messages are sent

as 32-bit addressable Memory Write TLPs. MSI messages use 64-bit addressable Memory Write TLPs only if the system software programs a non-zero value into the Upper Address register.

When Multi-Vector MSI messages are enabled, the user application can override one or more of the lower-order bits in the Message Data field of each transmitted MSI TLP to differentiate between the various MSI messages sent upstream. The number of lower-order bits in the Message Data field available to the user application is determined by the lesser of the value of the Multiple Message Capable field, as set in the Vivado IDE, and the Multiple Message Enable field, as set by system software and available as the `cfg_interrupt_mmenable[2:0]` core output. The core masks any bits in `cfg_interrupt_di[7:0]` which are not configured by the system software through Multiple Message Enable.

This pseudo code shows the processing required:

```
// Value MSI_Vector_Num must be in range: 0 ≤ MSI_Vector_Num ≤
(2^cfg_interrupt_mmenable)-1

if (cfg_interrupt_msienable) {           // MSI Enabled
  if (cfg_interrupt_mmenable > 0) {     // Multi-Vector MSI Enabled
    cfg_interrupt_di[7:0] = {Padding_0s, MSI_Vector_Num};
  } else {                               // Single-Vector MSI Enabled
    cfg_interrupt_di[7:0] = Padding_0s;
  }
} else {
  // Legacy Interrupts Enabled
}
```

For example:

1. If `cfg_interrupt_mmenable[2:0] == 000b`, that is, 1 MSI Vector Enabled, then `cfg_interrupt_di[7:0] = 00h`;
2. if `cfg_interrupt_mmenable[2:0] == 101b`, that is, 32 MSI Vectors Enabled, then `cfg_interrupt_di[7:0] = {{000b}, {MSI_Vector#}}`;

where `MSI_Vector#` is a 5-bit value and is allowed to be `00000b ≤ MSI_Vector# ≤ 11111b`.

If Per-Vector Masking is enabled, you must first verify that the vector being signaled is not masked in the Mask register. This is done by reading this register on the Configuration interface (the core does not look at the Mask register).

MSI-X Mode

The core optionally supports the MSI-X Capability Structure. The MSI-X vector table and the MSI-X Pending Bit Array need to be implemented as part of your logic, by claiming a BAR aperture.

If the `cfg_interrupt_msixenable` output of the core is asserted, the user application should compose and present the MSI-X interrupts on the transmit AXI4-Stream interface.

Link Training: 2-Lane, 4-Lane, and 8-Lane Components

The 2-lane, 4-lane, and 8-lane core can operate at less than the maximum lane width as required by the *PCI Express Base Specification* [Ref 2]. Two cases cause core to operate at less than its specified maximum lane width, as defined in these subsections.

Link Partner Supports Fewer Lanes

When the 2-lane core is connected to a device that implements only 1 lane, the 2-lane core trains and operates as a 1-lane device using lane 0.

When the 4-lane core is connected to a device that implements 1 lane, the 4-lane core trains and operates as a 1-lane device using lane 0, as shown in [Figure 3-69](#). Similarly, if the 4-lane core is connected to a 2-lane device, the core trains and operates as a 2-lane device using lanes 0 and 1.

When the 8-lane core is connected to a device that only implements 4 lanes, it trains and operates as a 4-lane device using lanes 0-3. Additionally, if the connected device only implements 1 or 2 lanes, the 8-lane core trains and operates as a 1- or 2-lane device.

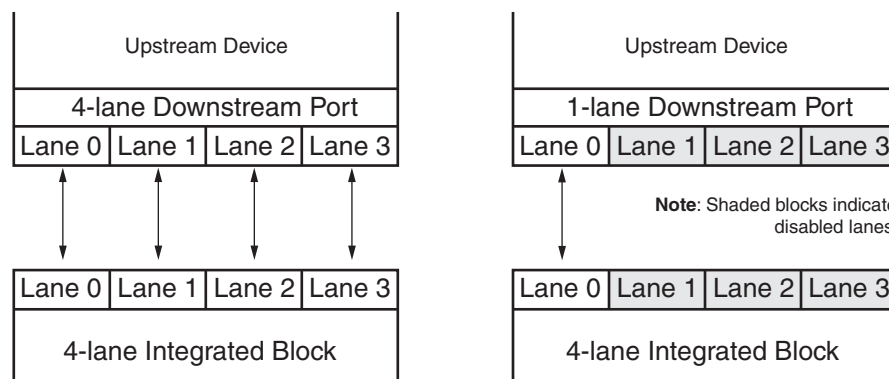


Figure 3-69: Scaling of 4-Lane Endpoint Block from 4-Lane to 1-Lane Operation

Lane Becomes Faulty

If a link becomes faulty after training to the maximum lane width supported by the core and the link partner device, the core attempts to recover and train to a lower lane width, if available. If lane 0 becomes faulty, the link is irrecoverably lost. If any or all of lanes 1–7 become faulty, the link goes into *recovery* and attempts to recover the largest viable link with whichever lanes are still operational.

For example, when using the 8-lane core, loss of lane 1 yields a recovery to 1-lane operation on lane 0, whereas the loss of lane 6 yields a recovery to 4-lane operation on lanes 0-3. After recovery occurs, if the failed lane(s) becomes *alive* again, the core does not attempt to recover to a wider link width. The only way a wider link width can occur is if the link actually goes down and it attempts to retrain from scratch.

The `user_clk_out` clock output is a fixed frequency configured in the Vivado IDE. `user_clk_out` does not shift frequencies in case of link recovery or training down.

Lane Reversal

The integrated Endpoint block supports limited lane reversal capabilities and therefore provides flexibility in the design of the board for the link partner. The link partner can choose to lay out the board with reversed lane numbers and the integrated Endpoint block continues to link train successfully and operate normally. The configurations that have lane reversal support are x8, x4 (excluding downshift modes), and x2. Downshift refers to the link width negotiation process that occurs when link partners have different lane width capabilities advertised. As a result of lane width negotiation, the link partners negotiate down to the smaller of the two advertised lane widths. [Table 3-47](#) describes the several possible combinations including downshift modes and availability of lane reversal support.

Table 3-47: Lane Reversal Support

Endpoint Block Advertised Lane Width	Negotiated Lane Width	Lane Number Mapping (Endpoint Link Partner)		Lane Reversal Supported
		Endpoint	Link Partner	
x8	x8	Lane 0 ... Lane 7	Lane 7 ... Lane 0	Yes
x8	x4	Lane 0 ... Lane 3	Lane 7 ... Lane 4	No ⁽¹⁾
x8	x2	Lane 0 ... Lane 3	Lane 7 ... Lane 6	No ⁽¹⁾
x4	x4	Lane 0 ... Lane 3	Lane 3 ... Lane 0	Yes
x4	x2	Lane 0 ... Lane 1	Lane 3 ... Lane 2	No ⁽¹⁾
x2	x2	Lane 0 ... Lane 1	Lane 1... Lane 0	Yes
x2	x1	Lane 0 ... Lane 1	Lane 1	No ⁽¹⁾

Notes:

1. When the lanes are reversed in the board layout and a downshift adapter card is inserted between the Endpoint and link partner, Lane 0 of the link partner remains unconnected (as shown by the lane mapping in [Table 3-47](#)) and therefore does not link train.

Using the Dynamic Reconfiguration Port Interface

The Dynamic Reconfiguration Port (DRP) interface allows read and write access to the FPGA configuration memory bits of the integrated block instantiated as part of the core. These configuration memory bits are represented as attributes of the `PCIE_2_1` library element.

The DRP interface is a standard interface found on many integrated IP blocks in Xilinx devices. For detailed information about how the DRP interface works with the FPGA configuration memory, see the *7 Series FPGAs Configuration User Guide (UG470)* [\[Ref 7\]](#).

Writing and Reading the DRP Interface

The interface is a processor-friendly synchronous interface with an address bus (`drp_addr`) and separated data buses for reading (`drp_do`) and writing (`drp_di`) configuration data to the PCIE_2_1 block. An enable signal (`drp_en`), a read/write signal (`drp_we`), and a ready/valid signal (`drp_rdy`) are the control signals that implement read and write operations, indicate operation completion, or indicate the availability of data. [Figure 3-70](#) shows a write cycle, and [Figure 3-71](#) shows a read cycle.

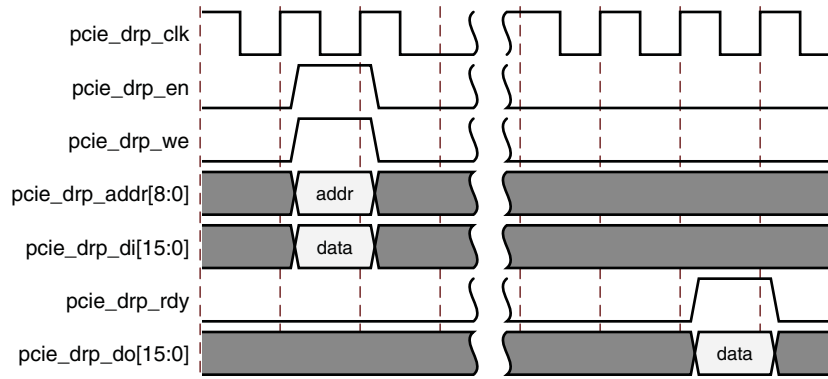


Figure 3-70: DRP Interface Write Cycle

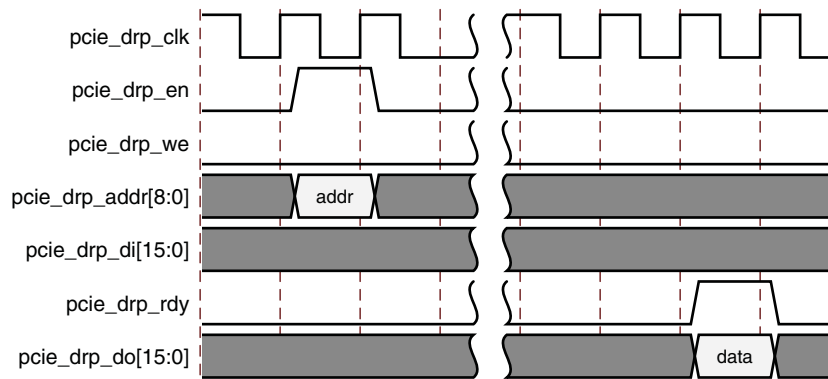


Figure 3-71: DRP Interface Read Cycle

Other Considerations for the DRP Interface

Updating attribute values through the DRP port is only supported while the core is in reset with `sys_rst_n` asserted. Behavior of the core is undefined if attributes are updated on-the-fly with `sys_rst_n` deasserted. Reading attributes through the DRP port is independent of `sys_rst_n`.

Attributes larger than 16 bits span two `drp_daddr` addresses, for example `BAR0[31:0]` requires two accesses to read or write the attribute. Additionally, some attributes share a single `drp_daddr` address. Use a read-modify-write approach so that shared-address attributes are not modified unintentionally.

There are many attributes that should not be modified through DRP, because these attributes need to be set in an aligned manner with the rest of the design. For example, changing the memory latency attributes on the PCIE_2_1 block without changing the actual number of pipeline registers attached to the block RAM causes a functional failure. These attributes are included in this category:

- DEV_CAP_MAX_PAYLOAD_SUPPORTED
- VCO_TX_LASTPACKET
- TL_TX_RAM_RADDR_LATENCY
- TL_TX_RAM_RDATA_LATENCY
- TL_TX_RAM_WRITE_LATENCY
- VCO_RX_LIMIT
- TL_RX_RAM_RADDR_LATENCY
- TL_RX_RAM_RDATA_LATENCY
- TL_RX_RAM_WRITE_LATENCY

DRP Address Map

Table 3-48 defines the DRP address map for the PCIE_2_1 library element attributes. Some attributes span two addresses, for example, BAR0. In addition, some addresses contain multiple attributes; for example, address 0x004 contains both AER_CAP_NEXTPTR[11:0] and AER_CAP_ON.

Table 3-48: DRP Address Map for PCIE_2_1 Library Element Attributes

Attribute Name	Address drp_daddr[8:0]	Data Bits drp_di[15:0] or drp_do[15:0]
AER_CAP_ECRC_CHECK_CAPABLE	0x000	[0]
AER_CAP_ECRC_GEN_CAPABLE	0x000	[1]
AER_CAP_ID[15:0]	0x001	[15:0]
AER_CAP_PERMIT_ROOTERR_UPDATE	0x002	[0]
AER_CAP_VERSION[3:0]	0x001	[4:1]
AER_BASE_PTR[11:0]	0x003	[11:0]
AER_CAP_NEXTPTR[11:0]	0x004	[11:0]
AER_CAP_ON	0x004	[12]
AER_CAP_OPTIONAL_ERR_SUPPORT[15:0]	0x005	[15:0]
AER_CAP_OPTIONAL_ERR_SUPPORT[23:16]	0x006	[7:0]
AER_CAP_MULTIHEADER	0x006	[8]
BAR0[15:0]	0x007	[15:0]

Table 3-48: DRP Address Map for PCIE_2_1 Library Element Attributes (Cont'd)

Attribute Name	Address drp_daddr[8:0]	Data Bits drp_di[15:0] or drp_do[15:0]
BAR0[31:16]	0x008	[15:0]
BAR1[15:0]	0x009	[15:0]
BAR1[31:16]	0x00a	[15:0]
BAR2[15:0]	0x00b	[15:0]
BAR2[31:16]	0x00c	[15:0]
BAR3[15:0]	0x00d	[15:0]
BAR3[31:16]	0x00e	[15:0]
BAR4[15:0]	0x00f	[15:0]
BAR4[31:16]	0x010	[15:0]
BAR5[15:0]	0x011	[15:0]
BAR5[31:16]	0x012	[15:0]
EXPANSION_ROM[15:0]	0x013	[15:0]
EXPANSION_ROM[31:16]	0x014	[15:0]
CAPABILITIES_PTR[7:0]	0x015	[7:0]
CARDBUS_CIS_POINTER[15:0]	0x016	[15:0]
CARDBUS_CIS_POINTER[31:16]	0x017	[15:0]
CLASS_CODE[15:0]	0x018	[15:0]
CLASS_CODE[23:16]	0x019	[7:0]
CMD_INTX_IMPLEMENTED	0x019	[8]
CPL_TIMEOUT_DISABLE_SUPPORTED	0x019	[9]
CPL_TIMEOUT_RANGES_SUPPORTED[3:0]	0x019	[13:10]
DEV_CAP2_ARI_FORWARDING_SUPPORTED	0x019	[14]
DEV_CAP2_ATOMICOP_ROUTING_SUPPORTED	0x019	[15]
DEV_CAP2_ATOMICOP32_COMPLETER_SUPPORTED	0x01a	[0]
DEV_CAP2_ATOMICOP64_COMPLETER_SUPPORTED	0x01a	[1]
DEV_CAP2_CAS128_COMPLETER_SUPPORTED	0x01a	[2]
DEV_CAP2_NO_RO_ENABLED_PRPR_PASSING	0x01a	[3]
DEV_CAP2_LTR_MECHANISM_SUPPORTED	0x01a	[4]
DEV_CAP2_TPH_COMPLETER_SUPPORTED[1:0]	0x01a	[6:5]
DEV_CAP2_EXTENDED_FMT_FIELD_SUPPORTED	0x01a	[7]
DEV_CAP2_ENDEND_TLP_PREFIX_SUPPORTED	0x01a	[8]
DEV_CAP2_MAX_ENDEND_TLP_PREFIXES[1:0]	0x01a	[10:9]
ENDEND_TLP_PREFIX_FORWARDING_SUPPORTED	0x01a	[11]

Table 3-48: DRP Address Map for PCIE_2_1 Library Element Attributes (Cont'd)

Attribute Name	Address drp_daddr[8:0]	Data Bits drp_di[15:0] or drp_do[15:0]
DEV_CAP_ENABLE_SLOT_PWR_LIMIT_SCALE	0x01a	[12]
DEV_CAP_ENABLE_SLOT_PWR_LIMIT_VALUE	0x01a	[13]
DEV_CAP_ENDPOINT_L0S_LATENCY[2:0]	0x01b	[2:0]
DEV_CAP_ENDPOINT_L1_LATENCY[2:0]	0x01b	[5:3]
DEV_CAP_EXT_TAG_SUPPORTED	0x01b	[6]
DEV_CAP_FUNCTION_LEVEL_RESET_CAPABLE	0x01b	[7]
DEV_CAP_MAX_PAYLOAD_SUPPORTED[2:0]	0x01b	[10:8]
DEV_CAP_PHANTOM_FUNCTIONS_SUPPORT[1:0]	0x01b	[12:11]
DEV_CAP_ROLE_BASED_ERROR	0x01b	[13]
DEV_CAP_RSVD_14_12[2:0]	0x01c	[2:0]
DEV_CAP_RSVD_17_16[1:0]	0x01c	[4:3]
DEV_CAP_RSVD_31_29[2:0]	0x01c	[7:5]
DEV_CONTROL_AUX_POWER_SUPPORTED	0x01c	[8]
DEV_CONTROL_EXT_TAG_DEFAULT	0x01c	[9]
DSN_BASE_PTR[11:0]	0x01d	[11:0]
DSN_CAP_ID[15:0]	0x01e	[15:0]
DSN_CAP_NEXTPTR[11:0]	0x01f	[11:0]
DSN_CAP_ON	0x01f	[12]
DSN_CAP_VERSION[3:0]	0x020	[3:0]
EXT_CFG_CAP_PTR[5:0]	0x020	[9:4]
EXT_CFG_XP_CAP_PTR[9:0]	0x021	[9:0]
HEADER_TYPE[7:0]	0x022	[7:0]
INTERRUPT_PIN[7:0]	0x022	[15:8]
INTERRUPT_STAT_AUTO	0x023	[0]
IS_SWITCH	0x023	[1]
LAST_CONFIG_DWORD[9:0]	0x023	[11:2]
LINK_CAP_ASPM_SUPPORT[1:0]	0x023	[13:12]
LINK_CAP_CLOCK_POWER_MANAGEMENT	0x023	[14]
LINK_CAP_DLL_LINK_ACTIVE_REPORTING_CAP	0x023	[15]
LINK_CAP_L0S_EXIT_LATENCY_COMCLK_GEN1[2:0]	0x024	[2:0]
LINK_CAP_L0S_EXIT_LATENCY_COMCLK_GEN2[2:0]	0x024	[5:3]
LINK_CAP_L0S_EXIT_LATENCY_GEN1[2:0]	0x024	[8:6]
LINK_CAP_L0S_EXIT_LATENCY_GEN2[2:0]	0x024	[11:9]

Table 3-48: DRP Address Map for PCIE_2_1 Library Element Attributes (Cont'd)

Attribute Name	Address drp_daddr[8:0]	Data Bits drp_di[15:0] or drp_do[15:0]
LINK_CAP_L1_EXIT_LATENCY_COMCLK_GEN1[2:0]	0x024	[14:12]
LINK_CAP_L1_EXIT_LATENCY_COMCLK_GEN2[2:0]	0x025	[2:0]
LINK_CAP_L1_EXIT_LATENCY_GEN1[2:0]	0x025	[5:3]
LINK_CAP_L1_EXIT_LATENCY_GEN2[2:0]	0x025	[8:6]
LINK_CAP_LINK_BANDWIDTH_NOTIFICATION_CAP	0x025	[9]
LINK_CAP_MAX_LINK_SPEED[3:0]	0x025	[13:10]
LINK_CAP_ASPM_OPTIONALITY	0x025	[14]
LINK_CAP_RSVD_23	0x025	[15]
LINK_CAP_SURPRISE_DOWN_ERROR_CAPABLE	0x026	[0]
LINK_CONTROL_RCB	0x026	[1]
LINK_CTRL2_DEEMPHASIS	0x026	[2]
LINK_CTRL2_HW_AUTONOMOUS_SPEED_DISABLE	0x026	[3]
LINK_CTRL2_TARGET_LINK_SPEED[3:0]	0x026	[7:4]
LINK_STATUS_SLOT_CLOCK_CONFIG	0x026	[8]
MPS_FORCE	0x026	[9]
MSI_BASE_PTR[7:0]	0x027	[7:0]
MSI_CAP_64_BIT_ADDR_CAPABLE	0x027	[8]
MSI_CAP_ID[7:0]	0x028	[7:0]
MSI_CAP_MULTIMSG_EXTENSION	0x028	[8]
MSI_CAP_MULTIMSGCAP[2:0]	0x028	[11:9]
MSI_CAP_NEXTPTR[7:0]	0x029	[7:0]
MSI_CAP_ON	0x029	[8]
MSI_CAP_PER_VECTOR_MASKING_CAPABLE	0x029	[9]
MSIX_BASE_PTR[7:0]	0x02a	[7:0]
MSIX_CAP_ID[7:0]	0x02a	[15:8]
MSIX_CAP_NEXTPTR[7:0]	0x02b	[7:0]
MSIX_CAP_ON	0x02b	[8]
MSIX_CAP_PBA_BIR[2:0]	0x02b	[11:9]
MSIX_CAP_PBA_OFFSET[15:0]	0x02c	[15:0]
MSIX_CAP_PBA_OFFSET[28:16]	0x02d	[12:0]
MSIX_CAP_TABLE_BIR[2:0]	0x02d	[15:13]
MSIX_CAP_TABLE_OFFSET[15:0]	0x02e	[15:0]
MSIX_CAP_TABLE_OFFSET[28:16]	0x02f	[12:0]

Table 3-48: DRP Address Map for PCIE_2_1 Library Element Attributes (Cont'd)

Attribute Name	Address drp_daddr[8:0]	Data Bits drp_di[15:0] or drp_do[15:0]
MSIX_CAP_TABLE_SIZE[10:0]	0x030	[10:0]
PCIE_BASE_PTR[7:0]	0x031	[7:0]
PCIE_CAP_CAPABILITY_ID[7:0]	0x031	[15:8]
PCIE_CAP_CAPABILITY_VERSION[3:0]	0x032	[3:0]
PCIE_CAP_DEVICE_PORT_TYPE[3:0]	0x032	[7:4]
PCIE_CAP_NEXTPTR[7:0]	0x032	[15:8]
PCIE_CAP_ON	0x033	[0]
PCIE_CAP_RSVD_15_14[1:0]	0x033	[2:1]
PCIE_CAP_SLOT_IMPLEMENTED	0x033	[3]
PCIE_REVISION[3:0]	0x033	[7:4]
PM_BASE_PTR[7:0]	0x033	[15:8]
PM_CAP_AUXCURRENT[2:0]	0x034	[2:0]
PM_CAP_D1SUPPORT	0x034	[3]
PM_CAP_D2SUPPORT	0x034	[4]
PM_CAP_DSI	0x034	[5]
PM_CAP_ID[7:0]	0x034	[13:6]
PM_CAP_NEXTPTR[7:0]	0x035	[7:0]
PM_CAP_ON	0x035	[8]
PM_CAP_PME_CLOCK	0x035	[9]
PM_CAP_PMESUPPORT[4:0]	0x035	[14:10]
PM_CAP_RSVD_04	0x035	[15]
PM_CAP_VERSION[2:0]	0x036	[2:0]
PM_CSR_B2B3	0x036	[3]
PM_CSR_BPCCEN	0x036	[4]
PM_CSR_NOSOFTRST	0x036	[5]
PM_DATA_SCALE0[1:0]	0x036	[7:6]
PM_DATA_SCALE1[1:0]	0x036	[9:8]
PM_DATA_SCALE2[1:0]	0x036	[11:10]
PM_DATA_SCALE3[1:0]	0x036	[13:12]
PM_DATA_SCALE4[1:0]	0x036	[15:14]
PM_DATA_SCALE5[1:0]	0x037	[1:0]
PM_DATA_SCALE6[1:0]	0x037	[3:2]
PM_DATA_SCALE7[1:0]	0x037	[5:4]

Table 3-48: DRP Address Map for PCIE_2_1 Library Element Attributes (Cont'd)

Attribute Name	Address drp_daddr[8:0]	Data Bits drp_di[15:0] or drp_do[15:0]
PM_DATA0[7:0]	0x037	[13:6]
PM_DATA1[7:0]	0x038	[7:0]
PM_DATA2[7:0]	0x038	[15:8]
PM_DATA3[7:0]	0x039	[7:0]
PM_DATA4[7:0]	0x039	[15:8]
PM_DATA5[7:0]	0x03a	[7:0]
PM_DATA6[7:0]	0x03a	[15:8]
PM_DATA7[7:0]	0x03b	[7:0]
RBAR_BASE_PTR[11:0]	0x03c	[11:0]
RBAR_CAP_NEXTPTR[11:0]	0x03d	[11:0]
RBAR_CAP_ON	0x03d	[12]
RBAR_CAP_ID[15:0]	0x03e	[15:0]
RBAR_CAP_VERSION[3:0]	0x03f	[3:0]
RBAR_NUM[2:0]	0x03f	[6:4]
RBAR_CAP_SUP0[15:0]	0x040	[15:0]
RBAR_CAP_SUP0[31:16]	0x041	[15:0]
RBAR_CAP_SUP1[15:0]	0x042	[15:0]
RBAR_CAP_SUP1[31:16]	0x043	[15:0]
RBAR_CAP_SUP2[15:0]	0x044	[15:0]
RBAR_CAP_SUP2[31:16]	0x045	[15:0]
RBAR_CAP_SUP3[15:0]	0x046	[15:0]
RBAR_CAP_SUP3[31:16]	0x047	[15:0]
RBAR_CAP_SUP4[15:0]	0x048	[15:0]
RBAR_CAP_SUP4[31:16]	0x049	[15:0]
RBAR_CAP_SUP5[15:0]	0x04a	[15:0]
RBAR_CAP_SUP5[31:16]	0x04b	[15:0]
RBAR_CAP_INDEX0[2:0]	0x04c	[2:0]
RBAR_CAP_INDEX1[2:0]	0x04c	[5:3]
RBAR_CAP_INDEX2[2:0]	0x04c	[8:6]
RBAR_CAP_INDEX3[2:0]	0x04c	[11:9]
RBAR_CAP_INDEX4[2:0]	0x04c	[14:12]
RBAR_CAP_INDEX5[2:0]	0x04d	[2:0]
RBAR_CAP_CONTROL_ENCODEDBAR0[4:0]	0x04d	[7:3]

Table 3-48: DRP Address Map for PCIE_2_1 Library Element Attributes (Cont'd)

Attribute Name	Address drp_daddr[8:0]	Data Bits drp_di[15:0] or drp_do[15:0]
RBAR_CAP_CONTROL_ENCODEDBAR1[4:0]	0x04d	[12:8]
RBAR_CAP_CONTROL_ENCODEDBAR2[4:0]	0x04e	[4:0]
RBAR_CAP_CONTROL_ENCODEDBAR3[4:0]	0x04e	[9:5]
RBAR_CAP_CONTROL_ENCODEDBAR4[4:0]	0x04e	[14:10]
RBAR_CAP_CONTROL_ENCODEDBAR5[4:0]	0x04f	[4:0]
ROOT_CAP_CRD_SW_VISIBILITY	0x04f	[5]
SELECT_DLL_IF	0x04f	[6]
SLOT_CAP_ATT_BUTTON_PRESENT	0x04f	[7]
SLOT_CAP_ATT_INDICATOR_PRESENT	0x04f	[8]
SLOT_CAP_ELEC_INTERLOCK_PRESENT	0x04f	[9]
SLOT_CAP_HOTPLUG_CAPABLE	0x04f	[10]
SLOT_CAP_HOTPLUG_SURPRISE	0x04f	[11]
SLOT_CAP_MRL_SENSOR_PRESENT	0x04f	[12]
SLOT_CAP_NO_CMD_COMPLETED_SUPPORT	0x04f	[13]
SLOT_CAP_PHYSICAL_SLOT_NUM[12:0]	0x050	[12:0]
SLOT_CAP_POWER_CONTROLLER_PRESENT	0x050	[13]
SLOT_CAP_POWER_INDICATOR_PRESENT	0x050	[14]
SLOT_CAP_SLOT_POWER_LIMIT_SCALE[1:0]	0x051	[1:0]
SLOT_CAP_SLOT_POWER_LIMIT_VALUE[7:0]	0x051	[9:2]
SSL_MESSAGE_AUTO	0x051	[10]
VC_BASE_PTR[11:0]	0x052	[11:0]
VC_CAP_NEXTPTR[11:0]	0x053	[11:0]
VC_CAP_ON	0x053	[12]
VC_CAP_ID[15:0]	0x054	[15:0]
VC_CAP_REJECT_SNOOP_TRANSACTIONS	0x055	[0]
VSEC_BASE_PTR[11:0]	0x055	[12:1]
VSEC_CAP_HDR_ID[15:0]	0x056	[15:0]
VSEC_CAP_HDR_LENGTH[11:0]	0x057	[11:0]
VSEC_CAP_HDR_REVISION[3:0]	0x057	[15:12]
VSEC_CAP_ID[15:0]	0x058	[15:0]
VSEC_CAP_IS_LINK_VISIBLE	0x059	[0]
VSEC_CAP_NEXTPTR[11:0]	0x059	[12:1]
VSEC_CAP_ON	0x059	[13]

Table 3-48: DRP Address Map for PCIE_2_1 Library Element Attributes (Cont'd)

Attribute Name	Address drp_daddr[8:0]	Data Bits drp_di[15:0] or drp_do[15:0]
VSEC_CAP_VERSION[3:0]	0x05a	[3:0]
USER_CLK_FREQ[2:0]	0x05a	[6:4]
CRM_MODULE_RSTS[6:0]	0x05a	[13:7]
LL_ACK_TIMEOUT[14:0]	0x05b	[14:0]
LL_ACK_TIMEOUT_EN	0x05b	[15]
LL_ACK_TIMEOUT_FUNC[1:0]	0x05c	[1:0]
LL_REPLAY_TIMEOUT[14:0]	0x05d	[14:0]
LL_REPLAY_TIMEOUT_EN	0x05d	[15]
LL_REPLAY_TIMEOUT_FUNC[1:0]	0x05e	[1:0]
PM_ASPML0S_TIMEOUT[14:0]	0x05f	[14:0]
PM_ASPML0S_TIMEOUT_EN	0x05f	[15]
PM_ASPML0S_TIMEOUT_FUNC[1:0]	0x060	[1:0]
PM_ASPM_FASTEXIT	0x060	[2]
DISABLE_LANE_REVERSAL	0x060	[3]
DISABLE_SCRAMBLING	0x060	[4]
ENTER_RVRY_EI_L0	0x060	[5]
INFER_EI[4:0]	0x060	[10:6]
LINK_CAP_MAX_LINK_WIDTH[5:0]	0x061	[5:0]
LTSSM_MAX_LINK_WIDTH[5:0]	0x061	[11:6]
N_FTS_COMCLK_GEN1[7:0]	0x062	[7:0]
N_FTS_COMCLK_GEN2[7:0]	0x062	[15:8]
N_FTS_GEN1[7:0]	0x063	[7:0]
N_FTS_GEN2[7:0]	0x063	[15:8]
ALLOW_X8_GEN2	0x064	[0]
PL_AUTO_CONFIG[2:0]	0x064	[3:1]
PL_FAST_TRAIN	0x064	[4]
UPCONFIG_CAPABLE	0x064	[5]
UPSTREAM_FACING	0x064	[6]
EXIT_LOOPBACK_ON_EI	0x064	[7]
DNSTREAM_LINK_NUM[7:0]	0x064	[15:8]
DISABLE_ASPM_L1_TIMER	0x065	[0]
DISABLE_BAR_FILTERING	0x065	[1]
DISABLE_ID_CHECK	0x065	[2]

Table 3-48: DRP Address Map for PCIE_2_1 Library Element Attributes (Cont'd)

Attribute Name	Address drp_daddr[8:0]	Data Bits drp_di[15:0] or drp_do[15:0]
DISABLE_RX_TC_FILTER	0x065	[3]
DISABLE_RX_POISONED_RESP	0x065	[4]
ENABLE_MSG_ROUTE[10:0]	0x065	[15:5]
ENABLE_RX_TD_ECRC_TRIM	0x066	[0]
TL_RX_RAM_RADDR_LATENCY	0x066	[1]
TL_RX_RAM_RDATA_LATENCY[1:0]	0x066	[3:2]
TL_RX_RAM_WRITE_LATENCY	0x066	[4]
TL_TFC_DISABLE	0x066	[5]
TL_TX_CHECKS_DISABLE	0x066	[6]
TL_RBYPASS	0x066	[7]
DISABLE_PPM_FILTER	0x066	[8]
DISABLE_LOCKED_FILTER	0x066	[9]
USE_RID_PINS	0x066	[10]
DISABLE_ERR_MSG	0x066	[11]
PM_MF	0x066	[12]
TL_TX_RAM_RADDR_LATENCY	0x066	[13]
TL_TX_RAM_RDATA_LATENCY[1:0]	0x066	[15:14]
TL_TX_RAM_WRITE_LATENCY	0x067	[0]
VC_CAP_VERSION[3:0]	0x067	[4:1]
VC0_CPL_INFINITE	0x067	[5]
VC0_RX_RAM_LIMIT[12:0]	0x068	[12:0]
VC0_TOTAL_CREDITS_CD[10:0]	0x069	[10:0]
VC0_TOTAL_CREDITS_CH[6:0]	0x06a	[6:0]
VC0_TOTAL_CREDITS_NPH[6:0]	0x06a	[13:7]
VC0_TOTAL_CREDITS_NPD[10:0]	0x06b	[10:0]
VC0_TOTAL_CREDITS_PD[10:0]	0x06c	[10:0]
VC0_TOTAL_CREDITS_PH[6:0]	0x06d	[6:0]
VC0_TX_LASTPACKET[4:0]	0x06d	[11:7]
RECRC_CHK[1:0]	0x06d	[13:12]
RECRC_CHK_TRIM	0x06d	[14]
TECRC_EP_INV	0x06d	[15]
CFG_ECRC_ERR_CPLSTAT[1:0]	0x06e	[1:0]
UR_INV_REQ	0x06e	[2]

Table 3-48: DRP Address Map for PCIE_2_1 Library Element Attributes (Cont'd)

Attribute Name	Address drp_daddr[8:0]	Data Bits drp_di[15:0] or drp_do[15:0]
UR_PRS_RESPONSE	0x06e	[3]
UR_ATOMIC	0x06e	[4]
UR_CFG1	0x06e	[5]
TRN_DW	0x06e	[6]
TRN_NP_FC	0x06e	[7]
USER_CLK2_DIV2	0x06e	[8]
RP_AUTO_SPD[1:0]	0x06e	[10:9]
RP_AUTO_SPD_LOOPCNT[4:0]	0x06e	[15:11]
TEST_MODE_PIN_CHAR	0x06f	[0]
SPARE_BIT0	0x06f	[1]
SPARE_BIT1	0x06f	[2]
SPARE_BIT2	0x06f	[3]
SPARE_BIT3	0x06f	[4]
SPARE_BIT4	0x06f	[5]
SPARE_BIT5	0x06f	[6]
SPARE_BIT6	0x06f	[7]
SPARE_BIT7	0x06f	[8]
SPARE_BIT8	0x06f	[9]
SPARE_BYTE0[7:0]	0x070	[7:0]
SPARE_BYTE1[7:0]	0x070	[15:8]
SPARE_BYTE2[7:0]	0x071	[7:0]
SPARE_BYTE3[7:0]	0x071	[15:8]
SPARE_WORD0[15:0]	0x072	[15:0]
SPARE_WORD0[31:16]	0x073	[15:0]
SPARE_WORD1[15:0]	0x074	[15:0]
SPARE_WORD1[31:16]	0x075	[15:0]
SPARE_WORD2[15:0]	0x076	[15:0]
SPARE_WORD2[31:16]	0x077	[15:0]
SPARE_WORD3[15:0]	0x078	[15:0]
SPARE_WORD3[31:16]	0x079	[15:0]

Tandem Configuration

The 7 Series Gen2 Integrated Block for PCIe solution provides two alternative configuration methods to meet the time requirements indicated within the PCI Express Specification. The PCI Express Specification states that `PERST#` must deassert 100 ms after the *power good* of the systems has occurred, and a PCI Express port must be ready to link train no more than 20ms after `PERST#` has deasserted. This is commonly referred to as the *100 ms boot time* requirement. The two alternative methods for configuration are referred to as Tandem PROM and Tandem PCI Express (PCIe). These solutions have been explicitly designed for this specific goal. If other configuration flexibility is needed, such as dynamic field updates of the user application, general Partial Reconfiguration should be used instead of Tandem Configuration.

Both Tandem PROM and Tandem PCIe implement a two stage configuration methodology. In Tandem PROM and Tandem PCIe, the stage 1 configuration memory cells that are critical to PCI Express operation are loaded through a local PROM. When these cells have been loaded, an FPGA start-up command is sent at the end of the stage 1 bitstream to the FPGA configuration controller. The partially configured FPGA then becomes active with the stage 1 bitstream contents. The stage 1 that contains a fully functional PCI Express port responds to traffic received during PCI Express enumeration while stage 2 is loaded into the FPGA. Included inside the stage 1 bitstream are the PCI Express integrated block, Gigabit Transceivers, block RAM, clocking resources, FPGA logic, and routing resources required to make the entire PCI Express port functional. Stage 2 consists of the user-specific application and the remaining clocking and I/O resources, which is basically the rest of the FPGA design. The mechanism for loading the stage 2 bitstream differs between Tandem PROM and Tandem PCIe.

Supported Devices

The 7 Series Gen2 Integrated Block for PCIe core and Vivado tool flow support implementations targeting Xilinx reference boards and specific part/package combinations.

For the Vivado Design Suite 2015.1 release and beyond, Tandem Configuration is production for specific devices and packages only. Tandem Configuration supports the configurations found in [Table 3-49](#).

Table 3-49: Tandem PROM/PCIe Supported Configurations

HDL	Verilog Only
PCIe Configuration	All configurations (max: X8Gen2)
Xilinx Reference Board Support	KC705 Evaluation Board for Kintex®-7 FPGA VC707 Evaluation Board for Virtex®-7 FPGA ZC706 Evaluation Board for Zynq® SOC

Table 3-49: Tandem PROM/PCIe Supported Configurations (Cont'd)

HDL	Verilog Only			
Device Support	Supported Part/Package Combinations:			
	Part	Package	PCIe Location	Status
	XC7K160T	All	All	Production
	XC7K325T	All	All	Production
	XC7K410T	All	All	Production
	XC7K420T	All	All	Production
	XC7VX485T	All	All (X1Y0 recommended)	Production
	XC7Z030	All	All	Production
	XC7Z045	All	All	Production
XC7Z100	All	All	Production	

Note: Support for Zynq® SoC devices is limited to the Tandem PROM variant. The Tandem PCIe variant is not offered; similar benefits can be achieved by splitting the two stage bitstreams and delivering both over the PS to the PCAP. This solution avoids the additional complexity of including the ICAP in the PL design.

Overview of Tandem Tool Flow

Tandem PROM and Tandem PCIe solutions are only supported in the Vivado Design Suite. The tool flow for both solutions is as follows:

1. Customize the core: select a supported device from [Table 3-49](#) and select **Tandem PROM** or **Tandem PCIe** for the Tandem Configuration option.
2. Generate the core.
3. Open the example project, and implement the example design.
4. Use the IP and XDC from the example project in your project, and instantiate the core.
5. Synthesize and implement your design.
6. Generate bit and then prom files.

As part of the Tandem flows, certain elements located outside of the PCIe core logic must also be brought up as part of the stage 1 bitstream. This is implemented using a Tcl file which is generated during core generation. When running through the project based flow, the Tcl is invoked automatically prior to design optimization (`opt_design`). This file is called `build_stage1.tcl` and can be found under the IP sources tree in the example design:

```
<project_name>.\srcs\sources_1\ip\<core_name>\source
```

It is important that the clocking and reset structure remain the same even if the hierarchy level in the design changes. The Tcl script searches for and finds the appropriate clock and

reset nets, and adds them to the stage 1 boot logic if the structure is not modified from what is delivered in the example design.

Prior to bitstream generation, a Tcl file named `create_bitstreams.tcl` is invoked to set specific bitstream options required for the Tandem flow. The `create_bitstreams.tcl` should not be modified as it is overwritten if the PCIe core is regenerated.



IMPORTANT: Starting with 2013.3, the `create_bitstreams.tcl` and `build_stage1.tcl` should not be modified. The `create_bitstreams.tcl` file contains examples of how to configure both SPI and BPI configuration options, but these examples should be placed in a script or design constraint file, and run before bitstream creation.

When the example design is created, an example XDC file is generated with certain constraints that need to be copied over into your XDC file for your specific project. The specific constraints are documented in the example design XDC file. In addition, this example design XDC file contains examples of how to set options for flash devices, such as BPI and SPI.

Tandem Configuration is supported only for the AXI4-Stream version of the core, and must be generated through the IP Catalog.

Tandem PROM

The Tandem PROM solution splits a bitstream into two parts and both of those parts are loaded from an onboard local configuration memory (typically, any PROM or flash device). The first part of the bitstream configures the PCI Express portion of the design and the second part configures the rest of the FPGA. Although the design is viewed to have two unique stages, shown in Figure 3-72, the resulting BIT file is monolithic and contains both the stage 1 and stage 2.

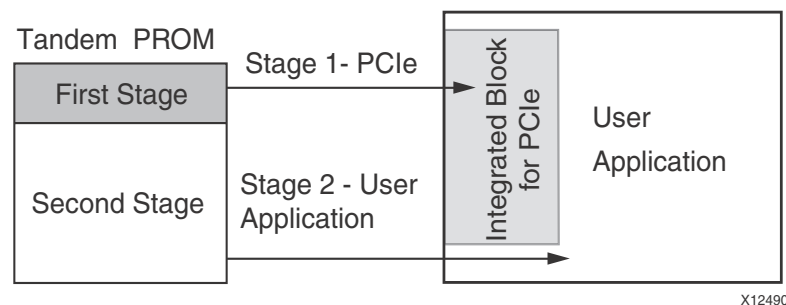


Figure 3-72: Tandem PROM Bitstream Load Steps

Tandem PROM KC705 Example Tool Flow

This section demonstrates the Vivado tool flow from start to finish when targeting the KC705 reference board. Paths and pointers within this flow description assume the default component name "pcie_7x_0" is used.

1. Create a new Vivado project, and select a supported part/package shown in [Table 3-49](#).
2. In the Vivado IP catalog, expand **Standard Bus Interfaces > PCI Express**, and double-click **7 Series Integrated Block for PCI Express** to open the Customize IP dialog box.

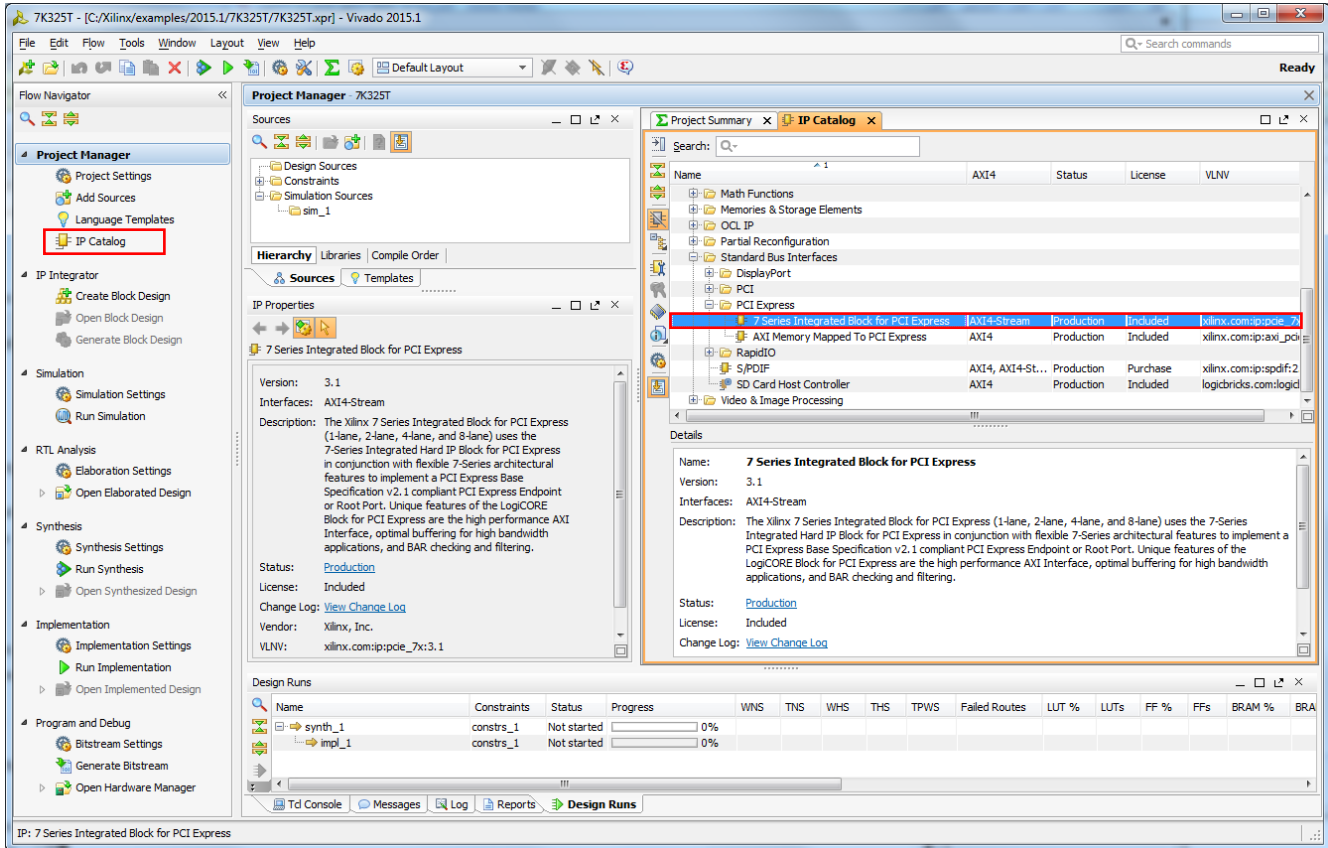


Figure 3-73: Vivado IP Catalog

3. In the Customize IP dialog box **Basic** tab, ensure the following options are selected:
 - Silicon Revision: **GES and Production**
Note: Tandem Configuration is only supported on General Engineering Sample and Production silicon.
 - Tandem Configuration: **Tandem PROM**

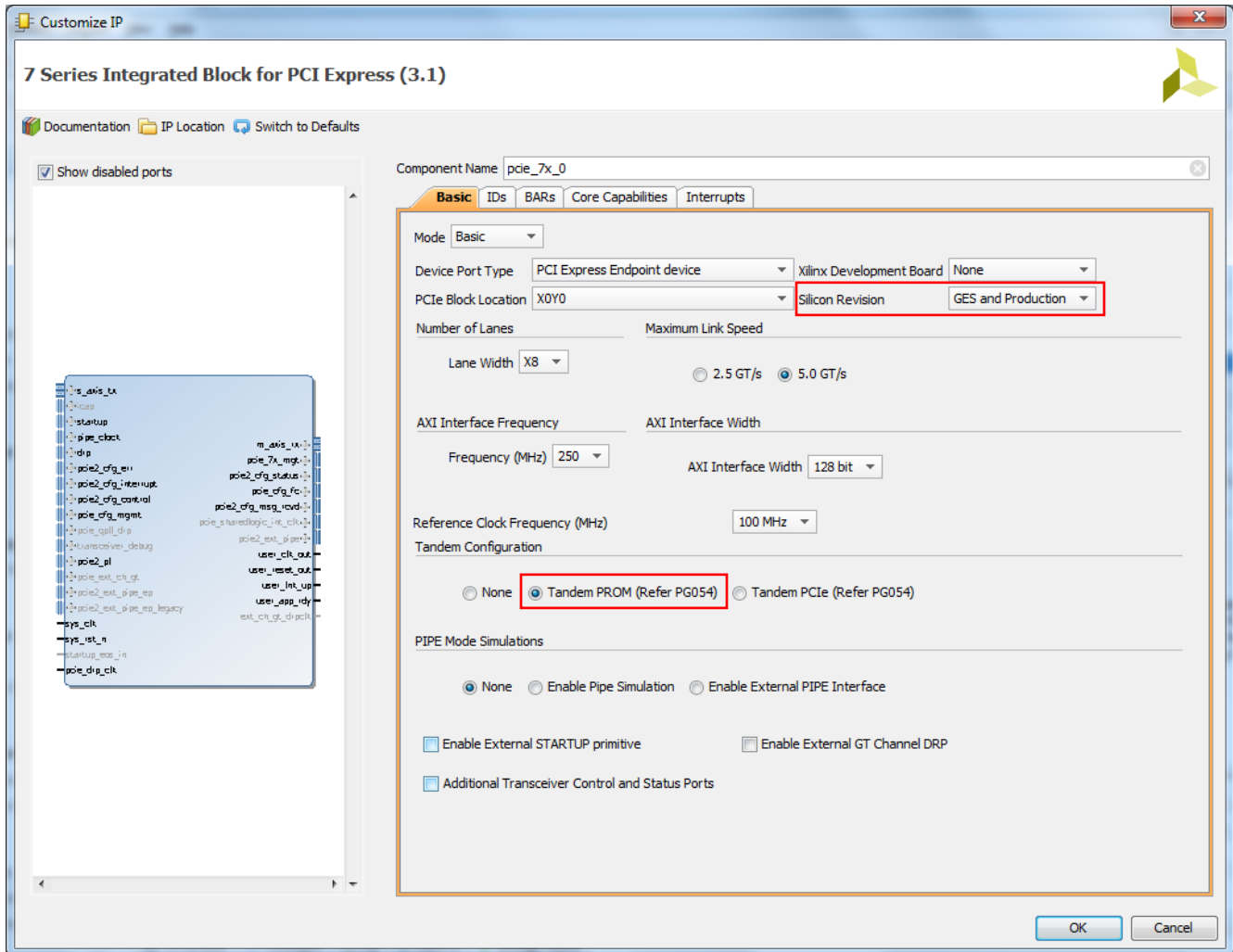


Figure 3-74: Tandem PROM

4. Perform additional PCIe customizations, and click **OK** to generate the core.
5. Click **Generate** when asked about which Output Products to create.
6. In the Sources tab, right-click the core, and select **Open IP Example Design**.

A new instance of Vivado is created and the example design is automatically loaded into the Vivado IDE.

7. Run Synthesis and Implementation.

Click **Run Implementation** in the Flow Navigator. Select **OK** to run through synthesis first. The design runs through the complete tool flow and the result is a fully routed design that supports Tandem PROM.

8. Setup PROM or Flash settings.

Set the appropriate settings to correctly generate a bitstream for a PROM or Flash device. For more information, see [Programming the Device, page 171](#).

9. Generate the bitstream.

After Synthesis and Implementation is complete, click **Generate Bitstream** in the Flow Navigator. A bitstream supporting Tandem configuration is generated in the `runs` directory, for example: `./pcie_7x_0_example.runs/impl/xilinx_pcie_2_2_ep_7x.bit`.

Note: You have the option of creating the stage 1 and stage 2 bitstreams independently. This flow allows you to control the loading of each stage through the JTAG interface for testing purposes. Here are the commands required to generate the bitstreams. This command can be seen in the `create_bitstreams.tcl` file, and can be added to a Tcl script file and included as a `tcl.pre` file for the Write Bitstream step. This can be done through the Bitstream Settings dialog box under the "tcl.pre" setting.

```
set_property bitstream.config.tandem_writebitstream separate [current_design]
```

The resulting bit files created are named `xilinx_pcie_2_2_ep_7x_tandem1.bit` and `xilinx_pcie_2_2_ep_7x_tandem2.bit`.

10. Generate the PROM file.

Run the following command in the Vivado **Tcl Console** to create a PROM file supported on the KC705 development board.

```
promgen -w -p mcs -spi -u 0x0 xilinx_pcie_2_2_ep_7x.bit
```

Tandem PROM Summary

By using Tandem PROM, you can significantly reduce the amount of time required to configure the PCIe portion of a 7 series FPGA design. The 7 Series Gen2 Integrated Block for PCIe core manages many design details, allowing you to focus your attention on the user application.

Tandem PCIe

Tandem PCIe is similar to Tandem PROM. In the stage 1 bitstream, only the configuration memory cells that are necessary for PCI Express operation are loaded from the PROM. After the stage 1 bitstream is loaded, the PCI Express port is capable of responding to enumeration traffic. Subsequently, the stage 2 bitstream is transmitted through the PCI Express link. [Figure 3-75](#) illustrates the bitstream loading flow.

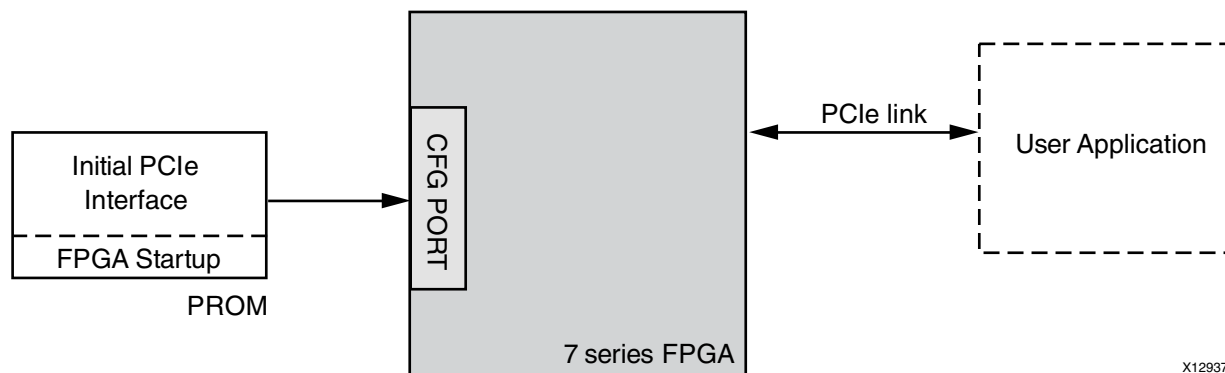


Figure 3-75: Tandem PCIe Bitstream Load Steps

Tandem PCIe is similar to the standard model used today in terms of tool flow and bitstream generation. Two bitstreams are produced when running bitstream generation. One BIT file representing the stage 1 is downloaded into the PROM while the other BIT file representing the user application (stage 2) configures the remainder of the FPGA using the Internal Configuration Access Port (ICAP).

Note: Field updates of the stage 2 bitstream, that is, multiple user application images for an unchanging stage 1 bitstream, require partial reconfiguration, which is not a supported flow for 7 series and Zynq devices. If this capability is required, a standard partial reconfiguration flow, utilizing a black box configuration and compression, should be used.

Tandem PCIe KC705 Example Tool Flow

This section demonstrates the Vivado tool flow from start to finish when targeting the KC705 reference board. Paths and pointers within this flow description assume the default component name `pcie_7x_0` is used.

1. When creating a new Vivado project, select a supported part/package shown in [Table 3-49](#).
2. In the Vivado IP catalog, expand **Standard Bus Interfaces > PCI Express**, and double-click **7 Series Integrated Block for PCI Express** to open the Customize IP dialog box.

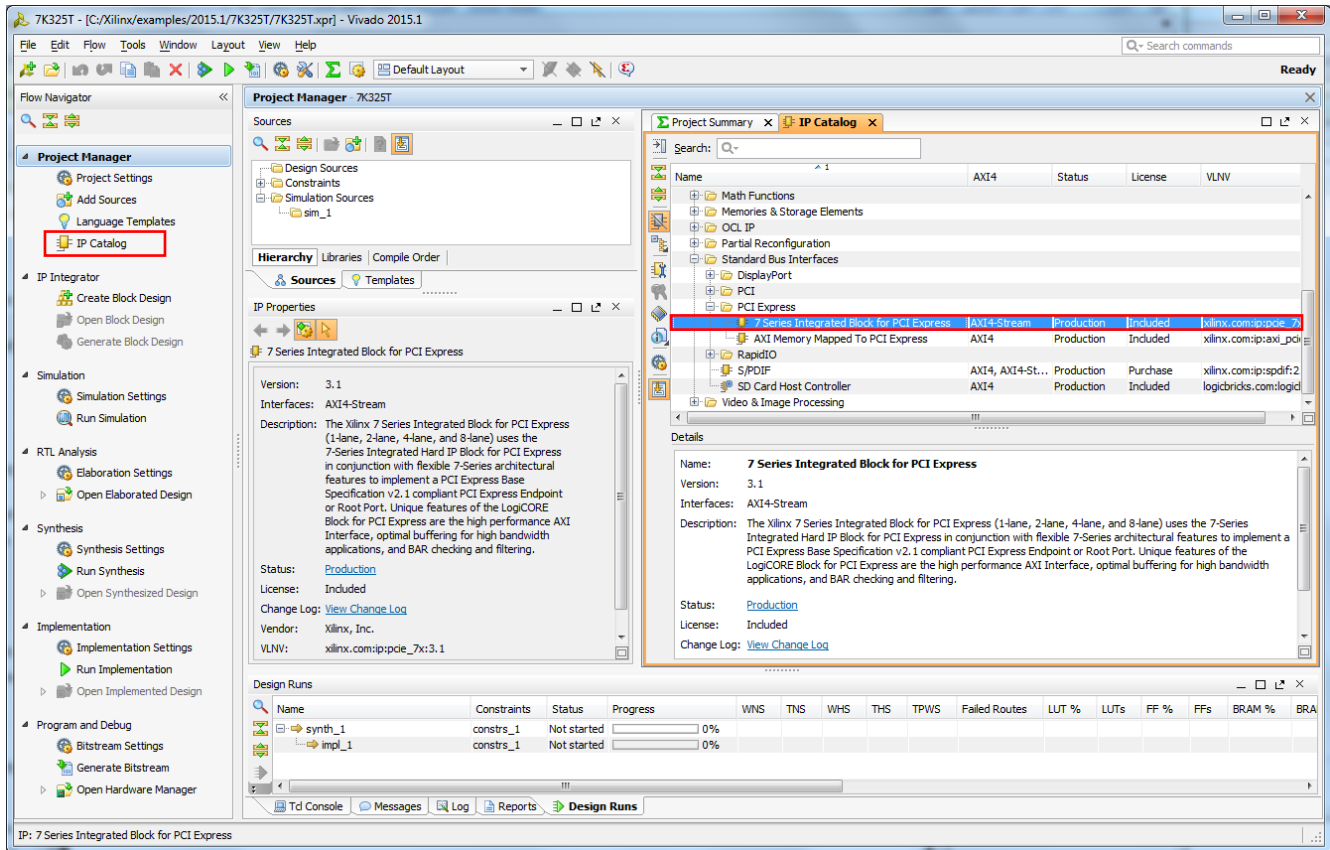


Figure 3-76: Vivado IP Catalog

3. In the Customize IP dialog box **Basic** tab, ensure the following options are selected:

- Silicon Revision: **GES and Production**

Note: Tandem Configuration is only supported on General Engineering Sample and Production silicon.

- Tandem Configuration: **Tandem PCIe**

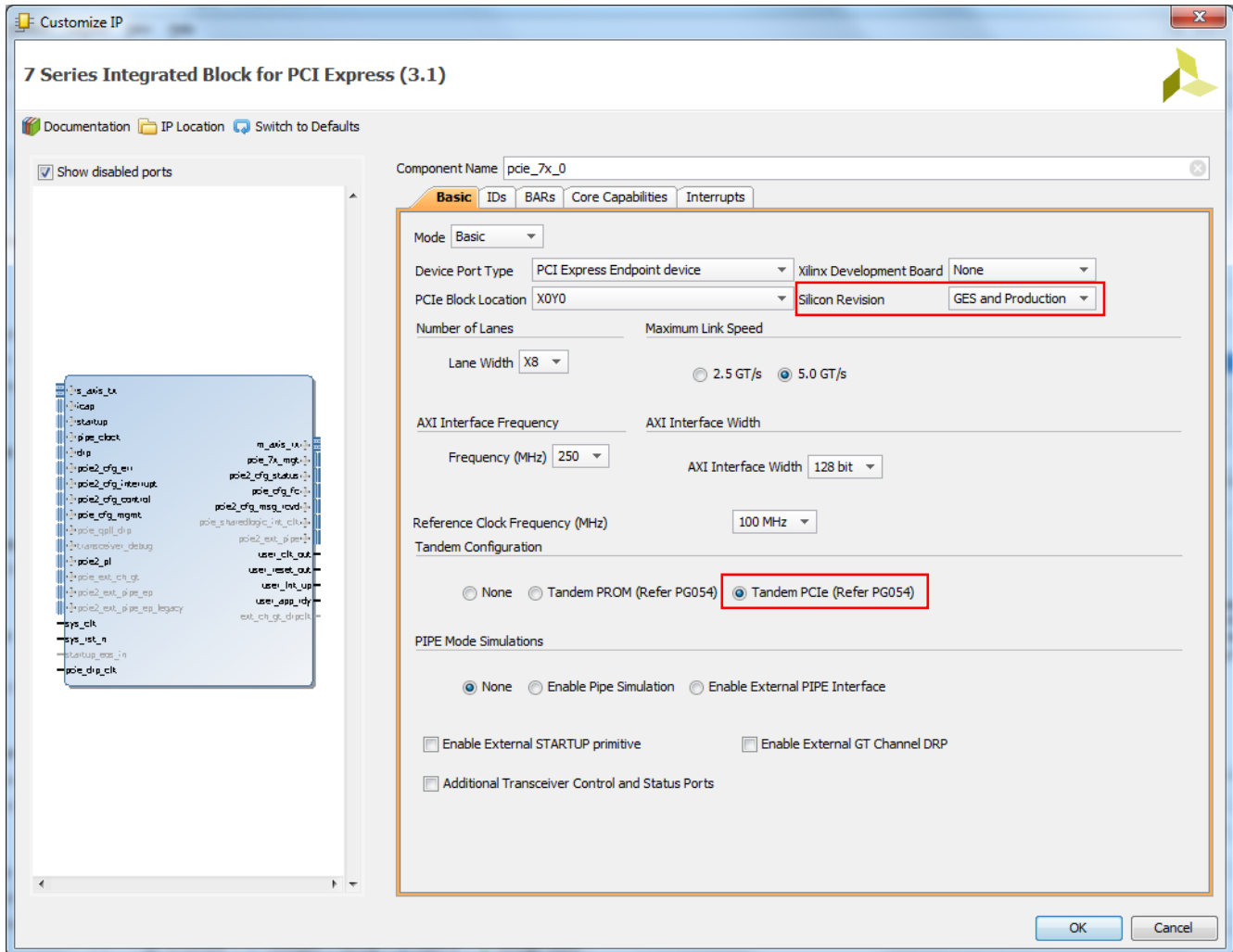


Figure 3-77: Tandem PCIe

4. Select the correct Tandem PCIe memory aperture in the **BAR** tab:

- Select **BAR0**

Note: The Fast PCIe Configuration (FPC) module assumes the stage 2 bitstream is received on BAR0.

- Size Unit: **128 Megabytes Memory**

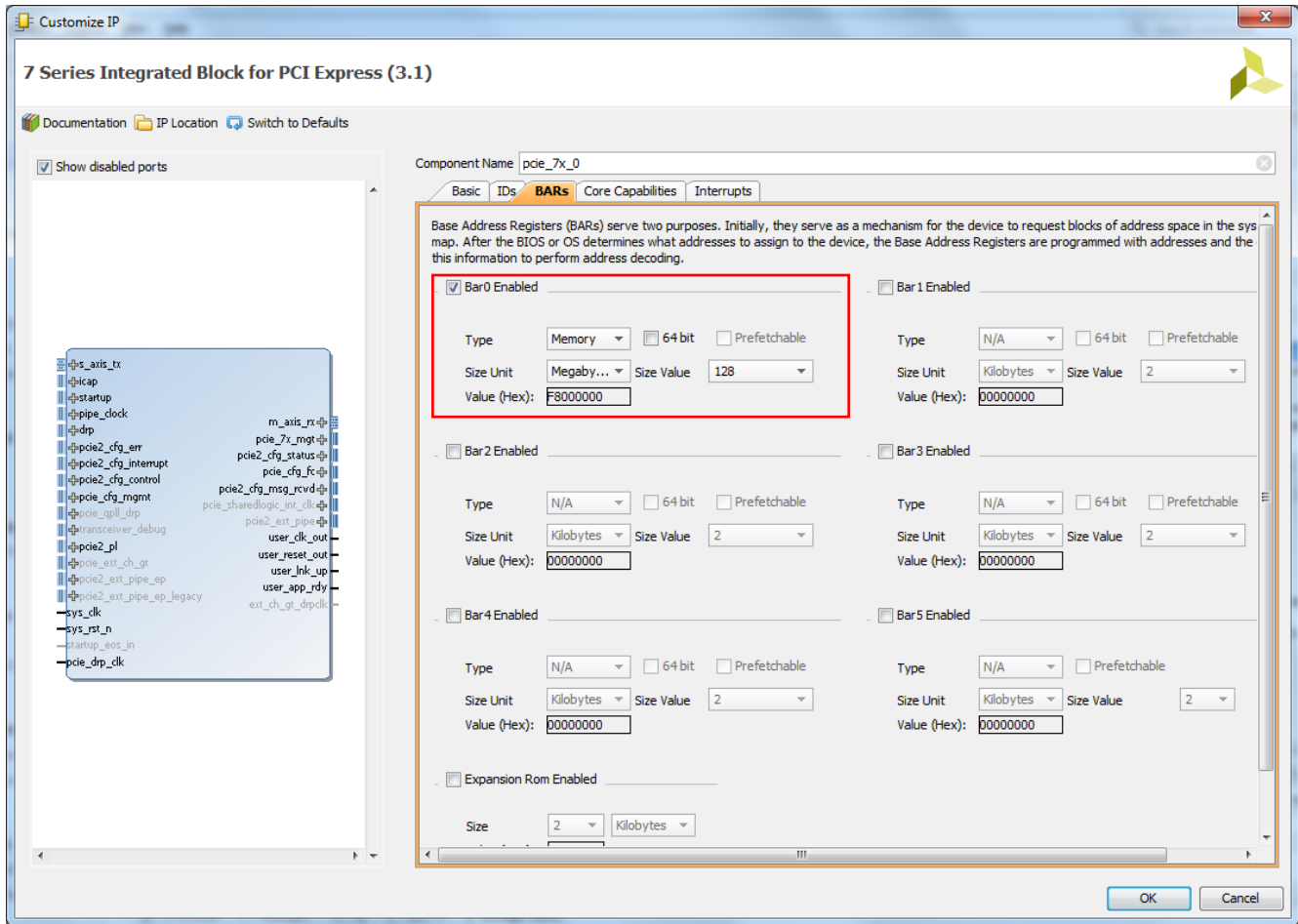


Figure 3-78: BARs

5. The example design software attaches to the device through the Vendor ID and Device ID. The Vendor ID must be 16'h10EE and the Device ID must be 16'h7024. In the **ID** tab, set:
 - Vendor ID: **10EE**
 - Device ID: **7024**

Note: An alternative solution is the Vendor ID and Device ID can be changed, and the driver and host PC software updated to match the new values.

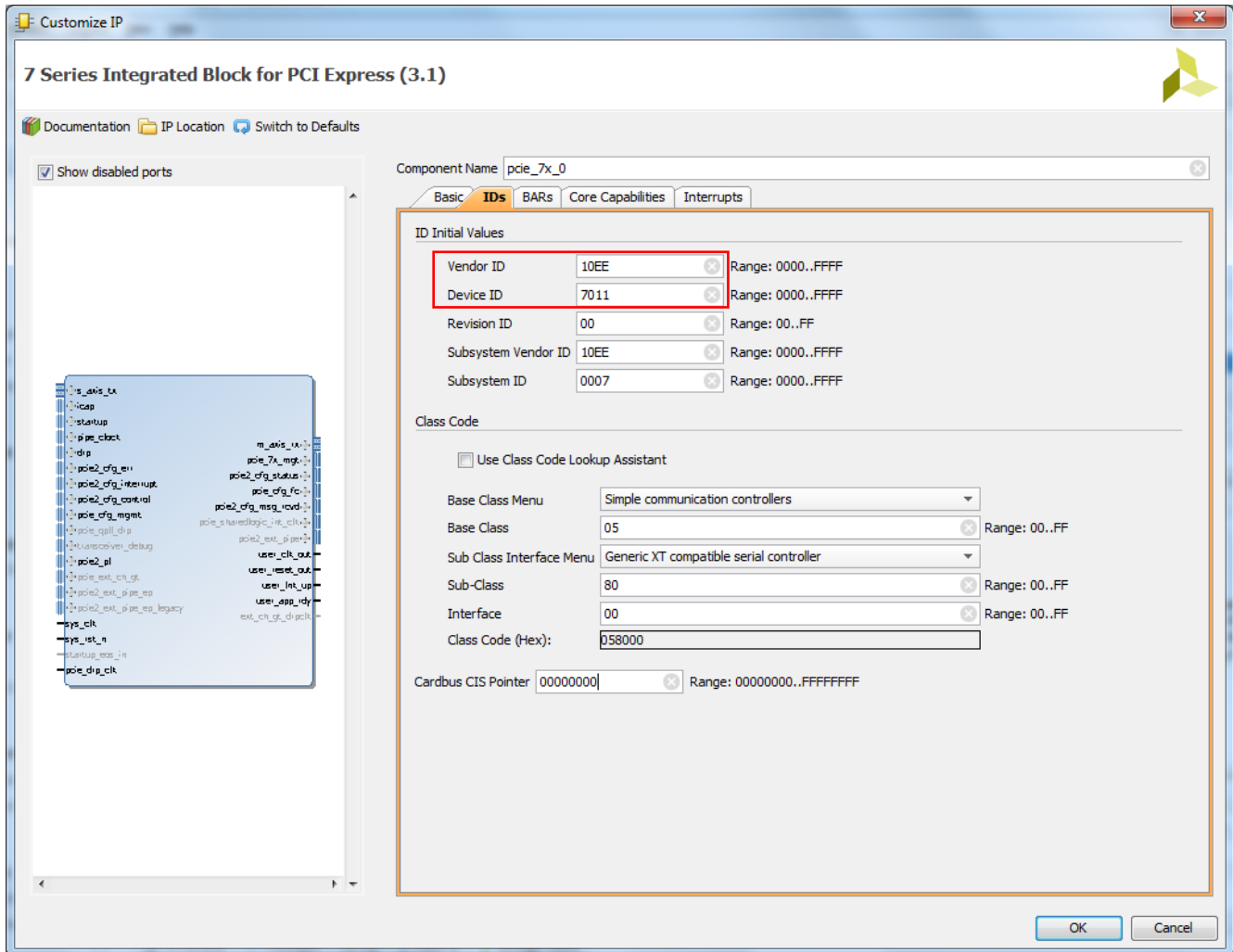


Figure 3-79: IDs

6. Perform additional PCIe customizations, and select **OK** to generate the core.

After core generation, the core hierarchy is available in the Sources tab in the Vivado IDE.

7. In the Sources tab, right-click the core, and select **Open IP Example Design**.

A new instance of Vivado is created and the example design project automatically loads in the Vivado IDE.

8. Run Synthesis and Implementation.

Click **Run Implementation** in the Flow Navigator. Select **OK** to run through synthesis first. The design runs through the complete tool flow, and the end result is a fully routed design supporting Tandem PCIe.

9. Setup PROM or Flash settings.

Set the appropriate settings to correctly generate a bitstream for a PROM or Flash device. For more information, see [Programming the Device, page 171](#).

10. Generate the bitstream.

After Synthesis and Implementation are complete, click **Generate Bitstream** in the Flow Navigator. The following four files are created and placed in the runs directory:

```
xilinx_pcie_2_2_ep_7x_tandem1.bit|
xilinx_pcie_2_2_ep_7x_tandem2.bit|
xilinx_pcie_2_2_ep_7x_tandem1.bin|
xilinx_pcie_2_2_ep_7x_tandem2.bin
```

The `.bit` files allow you to control the loading of each stage through the JTAG interface. The stage 2 `.bin` file is 32-bit word aligned and should be used to load the stage 2 configuration through the PCIe interface.

11. Generate the PROM file for stage 1.

Run the following command in the Vivado **Tcl Console** to create a PROM file supported on the KC705 development board.

```
promgen -w -p mcs -spi -u 0x0 xilinx_pcie_2_2_ep_7x_tandem1.bit
```

Loading Stage 2 Through PCI Express

An example kernel mode driver and user space application is provided with the IP. For information on retrieving the software and documentation, see [AR 51950](#).

Tandem PCIe Summary

By using Tandem PCIe, you can significantly reduce the amount of time required for configuration of the PCIe portion of a 7 series design, and can reduce the bitstream flash storage requirements. The 7 Series Gen2 Integrated Block for PCIe core manages many design details, allowing you to focus your attention on the user application.

Using Tandem With a User Hardware Design

There are two methods available to apply the Tandem flow to a user design. The first method is to use the example design that comes with the core. The second method is to import the PCIe IP into an existing design and change the hierarchy of the design if required.

Regardless of which method you use, the PCIe example design should be created to get the example clocking structure, timing constraints, and physical block (Pblock) constraints needed for the Tandem solution.

Method 1 – Using the Existing PCI Express Example Design

This is the simplest method in terms of what must be done with the PCI Express core, but might not be feasible for all users. If this approach meets your design structure needs, follow these steps.

1. Create the example design.

Generate the example design as described in the [Tandem PROM KC705 Example Tool Flow](#) and [Tandem PCIe KC705 Example Tool Flow](#).

2. Insert the user application.

Replace the PIO example design with the user design. It is recommended that the global and top-level elements, such as I/O and global clocking, be inserted in the top-level design.

3. Copy the appropriate SPI or BPI settings from the `create_bitstream.tcl` file and paste them in a new Tcl file.

Update the Vivado settings to run this Tcl file before the bitstream is generated.

4. Implement the design as normal.

Method 2 – Migrating the PCIe Design into a New Vivado Project

In cases where it is not possible to use method one above, the following steps should be followed to use the PCIe core and the desired Tandem flow (PROM or PCIe) in a new project. The example project has many of the required RTL and scripts that must be migrated into the user design.

1. Create the example design.

Generate the example design as described in the [Tandem PROM KC705 Example Tool Flow](#) and [Tandem PCIe KC705 Example Tool Flow](#).

2. Migrate the clock module.

If the **Include Shared Logic (Clocking) in the example design** option is set in the Shared Logic tab during core generation, then the `pipe_clock_i` clock module is instantiated in the top level of the example design. This clock module should be migrated to the user design to provide the necessary PCIe clocks.

Note: These clocks can be used in other parts of the user design if desired.

3. Migrate the top-level constraint.

The example Xilinx design constraints (XDC) file contains timing constraints, location constraints and Pblock constraints for the PCIe core. All of these constraints (other than

the I/O location and I/O standard constraints) need to be migrated to the user design. Several of the constraints contain hierarchical references that require updating if the hierarchy of the design is different than the example design.

4. Migrate the top-level Pblock constraint.

The following constraint is easy to miss so it is called out specifically in this step. The Pblock constraint should point to the top level of the PCIe core.

```
add_cells_to_pblock [get_pblocks main_pblock_boot] [get_cells -quiet [<path>]]
```



IMPORTANT: *Do not make any changes to the physical constraints defined in the XDC file because the constraints are device dependent.*

5. Add the Tandem PCIe IP to the Vivado project.

Click **Add Sources** in the Flow Navigator. In the Add Source wizard, select **Add Existing IP** and then browse to the XCI file that was used to create the Tandem PCIe example design.

6. Copy the appropriate SPI or BPI settings from the example design XDC file and paste them in your design XDC file.

Update the Vivado settings to run this Tcl file before the bitstream is generated.

7. Implement the design as normal.

Tandem Configuration RTL Design

Tandem Configuration requires slight modifications from the non-tandem PCI Express product. This section indicates the additional logic integrated within the core and the additional responsibilities of the user application to implement a Tandem PROM solution.

MUXing Critical Inputs

Certain input ports to the core are multiplexed so that they are disabled during the stage 2 configuration process. These MUXes are located in the top-level core file and are controlled by the `user_app_rdy` signal.

These inputs are held in a deasserted state while the stage 2 bitstream is loaded. This masks off any unwanted glitching due to the absence of stage 2 drivers and keeps the PCIe core in a valid state. When `user_app_rdy` is asserted, the MUXes are switched, and all interface signals behave as described in this document.

Tandem Completer

In addition to receiving configuration request packets, the PCI Express endpoint might receive TLP requests that are not processed within the PCI Express hard block. Typical TLP

requests received are Vendor Defined Messages and Read Requests. To avoid a lockup scenario within the PCI Express IP, TLP requests must be drained from the core to allow Configuration requests to be completed successfully.

A completer module is implemented when a Tandem mode is selected to process these packets. A Tandem Fast PCIe Configuration (FPC) module is implemented to process these packets. All read requests are expected to be 1DW and a CPLD is returned with a payload of 32'h0. All Vendor Defined Message requests are purged from the cores receive buffer and no further processing is performed. Each Memory Write request targeting BAR0 is processed by the FPC and assumed to be stage 2 bitstream data. The payload is forwarded to the ICAP. After the stage 2 bitstream is loaded and `user_app_rdy` asserted, the Tandem FPC module becomes inactive.

Tandem Configuration Logic

The core and example design contain ports (signals) specific to Tandem Configuration. These signals provide handshaking between stage 1 (the core) and stage 2 (user logic). Handshaking is necessary for interaction between the core and the user logic. [Table 3-50](#) defines the handshaking ports on the core.

Table 3-50: Handshaking Ports

Name	Direction	Polarity	Description
<code>user_app_rdy</code>	Output	Active-High	Identifies when the switch to stage 2 user logic is complete. 0: Stage 2 is not yet loaded. 1: Stage 2 is loaded.
<code>user_reset</code>	Output	Active-High	Can be used to reset PCIe interfacing logic when the PCIe core is reset. Synchronized with <code>user_clock</code> .
<code>user_clk</code>	Output	N/A	Clock to be used by PCIe interfacing logic.
<code>user_lnk_up</code>	Output	Active-High	Identifies that the PCI Express core is linked up with a host device.

These signals can coordinate events in the user application, such as the release of output 3-state buffers described in [Tandem Configuration Details](#). Here is some additional information about these signals:

- `user_app_rdy` is asserted 2 to 12 clock cycles after stage 2 is loaded. The delay ensures that `user_app_rdy` is not asserted in the middle of a PCIe transaction.
- `user_reset` can likewise be used to reset any logic that communicates with the core when the core itself is reset.
- `user_clk` is simply the main internal clock for the PCIe IP core. Use this clock to synchronize any user logic that communicates directly with the core.
- `user_lnk_up`, as the name implies, indicates that the PCIe core is currently running with an established link.

In addition to these interface signals, the PCIe IP module interface replicates the ports for the ICAP (Tandem PCIe only) and STARTUP blocks, as these blocks are instantiated within the IP core. Look for the `icap_*` and `startup_*` ports to connect any user application to these blocks. The only requirement is that the user application must not access these ports until `user_app_rdy` has been asserted, meaning the design is fully operational.

User Application Handshake

An internal completion event must exist within the FPGA for Tandem solutions to perform the hand-off between core control of the PCI Express Block and the user application. [MUXing Critical Inputs](#) explains why this handoff mechanism is required. The Tandem solution uses the STARTUP block and the dedicated EOS (End Of Startup) signal to detect the completion of stage 2 programming and then switch control of the PCI Express Block to the user application. When this switch occurs, `user_app_rdy` is asserted.

If the STARTUP block is required for other functionality within your design, connect to this primitive through the PCIe IP instantiation. The 13 ports of the STARTUPE2 primitive are available through the `startup_*` ports on the IP (Tandem PROM and Tandem PCIe). The same is true for the five ports of the ICAPE2 primitive, whose ports are named `icap_*` (Tandem PCIe only).

Tandem Configuration Details

I/O Behavior

For each I/O that is required for the stage 1 Tandem Configuration design transceiver, the entire bank in which that I/O resides must be configured in the stage 1 bitstream. In addition to this bank, the two configuration banks (14 and 15) are enabled also, so the following details apply to these three banks (or two, if the reset pin is in a configuration bank). For PCI Express, the only signal needed in the stage 1 design is the `sys_rst_n` input port. Therefore, any stage 2 I/O in the same I/O bank as `sys_rst_n` port is also configured with stage 1. Any pins in the same I/O bank as `sys_rst_n` are unconnected internally, so output pins demonstrate unknown behavior until their internal connections are completed by stage 2 configuration. Also, components requiring initialization for stage 2 functionality should not be placed in these I/O banks unless these components are reset by the `user_reset` signal from PCI Express.

If output pins must reside in the same bank as the `sys_rst_n` pin and their value cannot float prior to stage 2 completion, the following approach can be taken. Use an OBUFT that is held in 3-state between stage 1 completion (when the output becomes active) and stage 2 completion (when the driver logic becomes active). The `user_app_rdy` signal can be used to control the enable pin, releasing that output when the handshake events complete.



TIP: In your top-level design, infer or instantiate an OBUFT. Control the enable (port named T) with `user_app_rdy` – watch the polarity!

```
OBUFT test_out_obuf (.O(test_out), .I(test_internal), .T(!user_app_rdy));
```

Using the syntax below as an example, create a Pblock to contain the reset pin location. This Pblock must have the same `BOOT_BLOCK` property as the rest of the PCIe IP. In `build_stage1.tcl`, these I/O components must be added to Pblocks identified as being part of stage 1, as they reside in stage 1 banks. This ensures that the `user_app_rdy` connection from the PCIe IP block is active after stage 1, actively holding the enable while stage 2 loads. It is recommended that they be grouped together in their own Pblock. The following is an example for an output port named `test_out_obuf`.

```
# Create a new Pblock
create_pblock IO_pblock

# Range the Pblock to just the I/O to be targeted.
# These XY coordinates can be found by calling get_sites on the requested I/O.
resize_pblock -add {IOB_X0Y49:IOB_X0Y49} [get_pblocks IO_pblock]

# Add components and routes to stage 1 external Pblock
add_cells_to_pblock [get_pblocks IO_pblock] [get_cells test_out_obuf]

# Add this Pblock to the set of Pblocks to be included in the stage 1 bitstream.
# This ensures the route for user_app_rdy is included in stage 1.
set_property BOOT_BLOCK 1 [get_pblocks IO_pblock]
```

The remaining user I/O in the design are pulled High, by default, during stage 2 configuration. The use of the `PUDC_B` pin will, when held High, force all I/O in banks beyond the three noted above to be tristated. Between stage 1 and stage 2, which for Tandem PCIe could be a considerable amount of time, these pins are pulled Low by the internal weak pull-down for each I/O as these pins are unconfigured at that time.

Configuration Pin Behavior

The `DONE` pin indicates completion of configuration with standard approaches. `DONE` is also used for Tandem Configuration, but in a slightly different manner. `DONE` pulses High at the end of stage 1, when the start-up sequences are run. It returns Low when stage 2 loading begins. For Tandem PROM, this happens immediately because stage 2 is in the same bit file. For Tandem PCIe, this happens when the second bitstream is delivered to the ICAP interface. It pulls High and stays High at the end of the stage 2 of configuration.

Configuration Persist (Tandem PROM Only)

Configuration Persist is required in Tandem PROM configuration for 7 series devices. Dual purpose I/O used for stage 1 and stage 2 configuration cannot be re-purposed as user I/O after stage 2 configuration is complete.



IMPORTANT: Examples for PERSIST settings are shown in the `create_bitstreams.tcl` script, generated with the Tandem IP. You must copy the PERSIST, CONFIGRATE and (optionally) SPI_BUSWIDTH properties to your design XDC file, and modify the values as needed. This action ensures the PERSIST settings required for the design are not overwritten when the IP core is updated.

If the PERSIST option is set correctly for the needed configuration mode, but necessary dual-mode I/O pins are still occupied by user I/O, the following error is issued for each instance during write_bitstream:

```
ERROR: [Designutils 12-1767] Cannot add persist programming for site IOB_X0Y151.
ERROR: [Designutils 12-1767] Cannot add persist programming for site IOB_X0Y152.
```

The user I/O occupying these sites must be relocated to use Tandem PROM.

PROM Selection

Configuration PROMs have no specific requirements unique to Tandem Configuration. However, to meet the 100 ms specification, you must select a PROM that meets the following three criteria:

1. Supported by Xilinx configuration.
2. Sized appropriately for both stage 1 and stage 2; that is, the PROM must be able to contain the entire bitstream.
 - For Tandem PROM, both stage 1 and stage 2 are stored here; this bitstream is slightly larger (4-5%) than a standard bitstream.
 - For Tandem PCIe, the bitstream size is typically about 15-25% of a comparable full bitstream, but this can vary slightly due to design implementation results, device selection, and effectiveness of compression.
3. Meets the configuration time requirement for PCI Express based on the stage 1 bitstream size and the calculations for the bitstream loading time. See [Calculating Bitstream Load Time for Tandem](#).

See the *7 Series FPGAs Configuration User Guide (UG470)* for a list of supported PROMs and device bitstream sizes.

Programming the Device

There are no special considerations for programming Tandem bitstreams versus standard bitstreams into a PROM. You can program a Tandem bitstream using all standard programming methods, such as JTAG, Slave and Master SelectMAP, SPI, and BPI. Regardless of the programming method used, the DONE pin is asserted after the stage 1 is loaded and operation begins.

To prepare for SPI or BPI flash programming, the appropriate settings must be enabled prior to bitstream generation. This is done by adding the specific flash device settings in the

design XDC file, as shown here. Examples can be seen in the `create_bitstreams.tcl` script. Copy the existing (commented) options to meet your board and flash programming requirements.

Here are examples for Tandem PROM:

```
set_property BITSTREAM.CONFIG.CONFIGRATE 3 [current_design]
# This can vary up to 66MHz
set_property BITSTREAM.CONFIG.PERSIST BPI16 [current_design]
# Set this option to match your flash device requirements
```

Both internally generated CCLK and externally provided EMCCLK are supported for SPI and BPI programming. EMCCLK can be used to provide faster configuration rates due to tighter tolerances on the configuration clock. See the *7 Series FPGAs Configuration User Guide (UG470)* for details on the use of EMCCLK with the Design Suite.

For more information on configuration in the Vivado Design Suite, see the *Vivado Design Suite User Guide: Programming and Debugging (UG908)*.

Encrypted Bitstreams

Bitstream encryption is supported for both Tandem PROM and Tandem PCIe for all 7 series and Zynq devices that support Tandem Configuration.

Increasing the Loading Clock Frequency for Zynq-7000 Devices

Zynq-7000 devices have multiple phases in the boot-up sequence. Two of these phases are relevant to Tandem Configuration: the loading of the FSBL and the loading of the bitstream. To ensure that your stage 1 Tandem design loads within the boot time requirement, increase the clock frequencies for loading the bitstream and the FSBL. Verify that your board layout and PROM selection are appropriate for your desired loading frequencies.

The following sections describe how to increase the loading clock frequencies for the bitstream and the FSBL.

Note: Although the steps described apply to all Zynq-7000 devices, the Zynq ZC706 development platform is used for reference where required.

Changing the Bitstream Load Frequency

The default Zynq-7000 device PS configuration uses a QSPI clock frequency of 200 MHz, which is then divided by eight to generate the bitstream loading clock of 25 MHz. To increase this loading frequency, decrease the QSPI clock frequency to 166 MHz, and then divide by two to generate a bitstream loading clock of 83 MHz.

To change the QSPI clock frequency in the Vivado Design Suite:

1. Enable Dual Quad SPI configuration as shown in [Figure 3-80](#).

- a. Select the **Peripheral I/O Pins** menu.
- b. Expand **Quad SPI Flash settings**.
- c. Select **Dual Quad SPI (8bit)**.

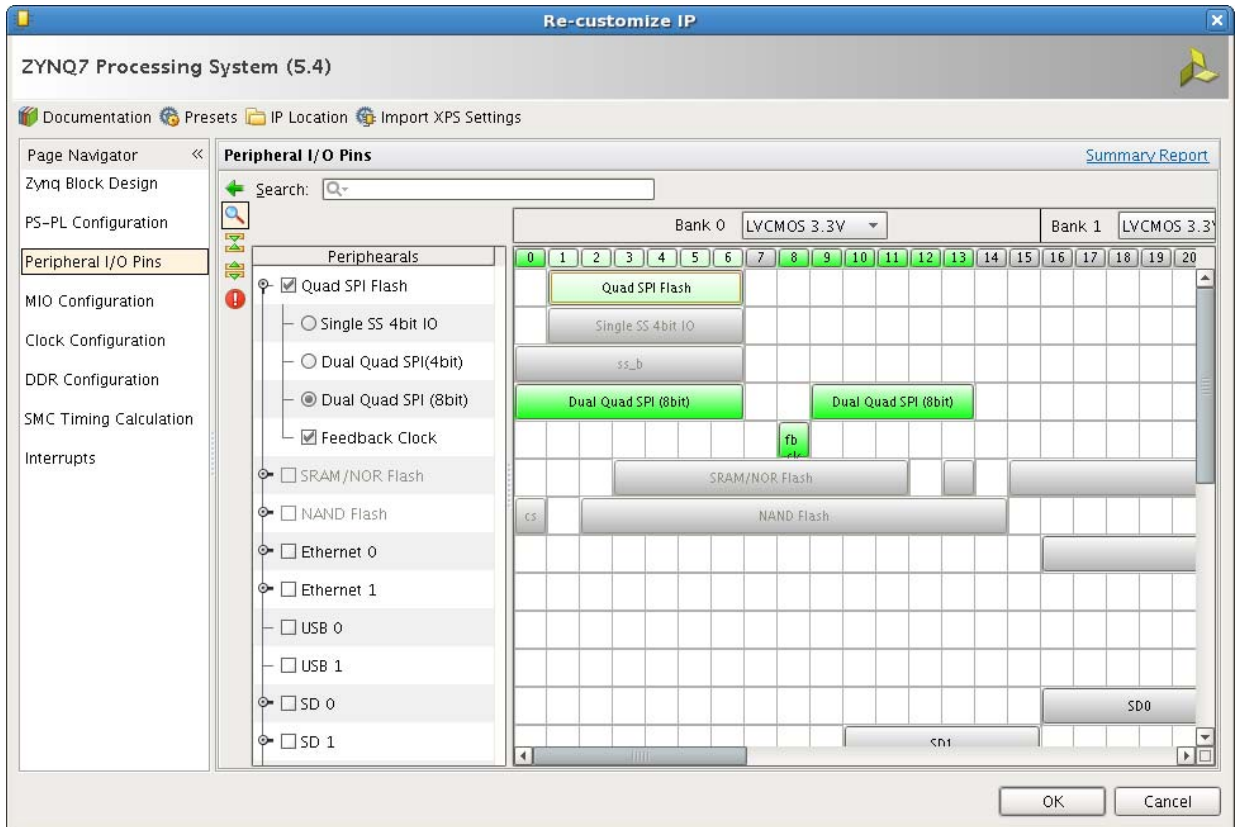


Figure 3-80: Enable Dual Quad SPI Configuration

2. Modify the Quad SPI clock frequency as shown in Figure 3-81.
 - a. Select the **Clock Configuration** menu.
 - b. Expand **IO Peripheral Clocks settings**.

- c. Change the **QSPI Requested Frequency** from 200 MHz to **166 MHz**.

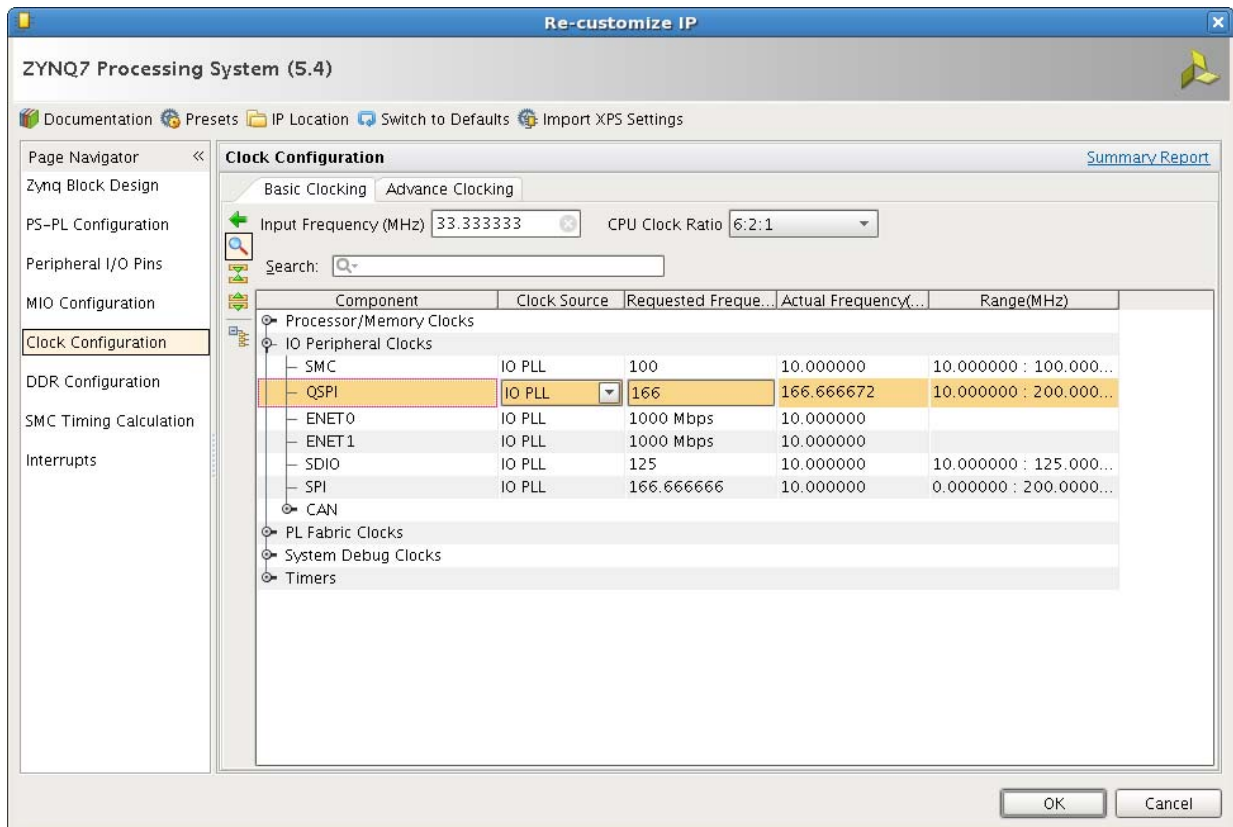


Figure 3-81: Modify the Quad SPI Clock Frequency

3. After generating the Zynq PS with your required settings, launch the Xilinx Software Development Kit (SDK).
 - a. Open the PS block diagram in the Vivado Design Suite.
 - b. Select **File > Export > Export Hardware for SDK**.
 - c. Check the **Launch SDK** check box and click **OK**.
4. Generate the Zynq FSBL from the Xilinx SDK.
 - a. Select **File > New > Application Project**.
 - b. In the form, type `zynq_fsbl` for the project name and click **Next**.
 - c. Select **Zynq FSBL** and click **Finish**.
5. Modify the QSPI clock frequency to divide by two.
 - a. Open `zynq_fsbl/src/qspi.c` in the FSBL source files.
 - b. Search for `XQSPIPS_CLK_PRESCALE_8` and replace it with `XQSPIPS_CLK_PRESCALE_2`.
 - c. Save and compile the file into the FSBL.

Note: Only divide-by-8 and divide-by-2 should be used in this file.

6. Create the Zynq Boot Image
 - a. Select **Xilinx Tools > Create Zynq Boot Image**.
 - b. Create a new BIF file and select the desired name and location.
 - c. In the Boot image partitions, select the `zynq_fsb1.elf` file as the first file.
 - d. Select the tandem bitstream as the second file.
 - e. Set the application as the ELF as the third file.
 - f. Set the output file name and path as desired.
 - g. Click **Create Image**.
7. Load the image to the Quad SPI flash on the ZC706 board.
 - a. Connect the ZC706 board and ensure that the SW11 DIP switches are at 00000.
 - b. Select **Xilinx Tool > Program Flash**.
8. Program the FPGA from the Quad SPI.
 - a. Turn the ZX706 board power off.
 - b. Make sure to set SW11 pins to 00010.
 - c. Turn the board power on.

The Tandem PROM configuration becomes active.

For more information about configuring and using the Zynq PS, see the *Zynq-7000 All Programmable SoC Technical Reference Manual* (UG585).

For more information about using the Xilinx SDK for Zynq-7000 devices, see the *Zynq-7000 All Programmable SoC Software Developers Guide* (UG821).

Tandem PROM/PCIe Resource Restrictions

The PCIe IP must be isolated from the global chip reset (GSR) that occurs right after the stage 2 bitstream has completed loading into the FPGA. As a result, stage 1 and stage 2 logic cannot reside within the same configuration frames. Configuration frames used by the PCIe IP consist of serial transceivers, I/O, FPGA logic, block RAM, or Clocking, and they (vertically) span a single clock region. The resource restrictions are as follows:

- The PCIe IP uses a single MMCM and associated BUFGs to generate the required clocks. Unused resources within these frames are not available to the user application (stage 2). Additional resources within the clocking frame are the PLL, Phaser, and INOUT FIFO.
- A GT quad contains four serial transceivers. In a X1 or X2 designs, the entire GT quad is consumed and the unused serial transceivers are not available to the user application.

Current implementations require that two GT quads be consumed regardless of the link width configuration.

- DCI Cascading between a stage 1 I/O bank and a stage 2 I/O bank is not supported.

Moving the PCIe Reset Pin

In general, to achieve the best (smallest) stage 1 bitstream size, you should consider the location for any I/Os that are intended to be configured in stage 1. I/Os that are physically placed a long distance from the core cause extra configuration frames to be included in the stage 1. This is due to extra routing resources that are required to include these stage 1 I/Os.

The `build_stage1.tcl` file automatically traces the reset path to the input pin and adds the logic appropriately. Ensure that the reset comes from a single pin as show in the PCI Express example design.

Non-Project Flow

In a non-project environment, the same basic approach as the project environment is used, but the individual steps for synthesis and implementation are executed directly through Tcl. First, create the IP using the IP Catalog as shown in the [Tandem PCIe KC705 Example Tool Flow](#). One of the results of core generation is an `.xci` file, which is a listing of all the core details. This file is used to regenerate all the required design sources.

The following is a sample flow in a non-project environment:

1. Read in design sources, either the example design or your design.

```
read_verilog <verilog_sources>
read_vhdl <vhdl_sources>
read_xdc <xdc_sources>
```

2. Define the target device.

```
set_property PART <part> [current_project]
```

Note: Even though this is a non-project flow, there is an implied project behind the scenes. This must be done to establish an explicit device before the IP is read in.

3. Read in the PCIe IP.

```
read_ip pcie_7x_0.xci
```

4. Synthesize the design. This step generates the IP sources from the `.xci` input.

```
synth_design -top <top_level>
```

Note: The entire IP, including the `build_stage1.tcl` and `create_bitstreams.tcl` sources, will be created each time.

5. Ensure that any customizations to the design, such as the identification of the configuration mode to set the persisted pins, are done in the design XDC file.

6. Implement the design. `build_stage1.tcl` is called automatically prior to `opt_design`.

```
opt_design
place_design
route_design
```

7. Generate the bit files. `create_bitstreams.tcl` is called automatically. For Tandem PCIe, the bit file name receives `_tandem1` and `_tandem2` to differentiate the two stages. The `-bin_file` option is only needed for Tandem PCIe.

```
write_bitstream -bin_file <file>.bit
```

Simulating the Tandem IP Core

Because the functionality of the Tandem PROM or Tandem PCIe core relies on the STARTUP module, this must be taken into consideration during simulation.

The PCI Express core relies on the STARTUP block to assert the EOS output status signal in order to know when the stage 2 bitstream has been loaded into the device. You must simulate the STARTUP block behavior to release the PCIe core to work with the stage 2 logic. This is done using a hierarchical reference to force the EOS signal on the STARTUP block. The following pseudo code shows how this could be done.

```
// Initialize EOS at time 0
force board.EP.pcie_7x_0_support_i.pcie_7x_0_i.inst.inst.pcie_7x_0_fast_cfg_init_ctr_
i.startup_inst.EOS = 1'b1;
```

<delay until after PCIe reset is released>

```
// De-assert EOS to simulate the starting of the 2nd stage bitstream loading
force board.EP.pcie_7x_0_support_i.pcie_7x_0_i.inst.inst.pcie_7x_0_fast_cfg_init_ctr_
i.startup_inst.EOS = 1'b0;
```

<delay a minimum of 4 user_clk cycles>

```
// Re-assert EOS to simulate that 2nd stage bitstream completed loading
force board.EP.pcie_7x_0_support_i.pcie_7x_0_i.inst.inst.pcie_7x_0_fast_cfg_init_ctr_
i.startup_inst.EOS = 1'b1;
// Simulate as normal from this point on.
```

The hierarchy to the PCIe core in the line above must be changed to match that of the user design. This line can also be found in the example simulation provided with the core in the file named `board.v`.

Calculating Bitstream Load Time for Tandem

The configuration loading time is a function of the configuration clock frequency and precision, data width of the configuration interface, and bitstream size. The calculation is broken down into three steps:

1. Calculate the minimum clock frequency based on the nominal clock frequency and subtract any variation from the nominal.

$$\text{Minimum Clock Frequency} = \text{Nominal Clock} - \text{Clock Variation}$$

2. Calculate the minimum PROM bandwidth, which is a function of the data bus width, clock frequency, and PROM type. The PROM bandwidth is the minimum clock frequency multiplied by the bus width.

$$\text{PROM Bandwidth} = \text{Minimum Clock Frequency} \times \text{Bus Width}$$

3. Calculate the stage 1 bitstream loading time, which is the minimum PROM bandwidth from [step 2](#), divided by the stage 1 bitstream size as reported by `write_bitstream`.

$$\text{Stage 1 Load Time} = (\text{PROM Bandwidth}) / (\text{Stage 1 Bitstream Size})$$

The stage 1 bitstream size, reported by `write_bitstream`, can be read directly from the terminal or from the log file.

The following is a snippet from the `write_bitstream` log showing the bitstream size for stage 1:

```
Creating bitstream...
Tandem stage1 bitstream contains 13852352 bits.
Tandem stage2 bitstream contains 77690816 bits.
Writing bitstream ./xilinx_pcie_2_1_ep_7x.bit...
```

These values represent the explicit values of the bitstream stages, whether in one bit file or two. The effects of bitstream compression are reflected in these values.

Example 1

The configuration for Example 1 is:

- Quad SPI flash (x4) operating at 66 MHz \pm 200 ppm
- Stage 1 size = 12003648 bits

The steps to calculate the configuration loading time are:

1. Calculate the minimum clock frequency:

$$66 \text{ MHz} \times (1 - 0.0002) = 65.98 \text{ MHz}$$

2. Calculate the minimum PROM bandwidth:

$$4 \text{ bits} \times 65.98 \text{ MHz} = 263.92 \text{ Mb/s}$$

3. Calculate the stage 1 bitstream loading time:

$$11.45 \text{ Mb} / 263.92 \text{ Mb/s} = \sim 0.0434 \text{ s or } 43.4 \text{ ms}$$

Example 2

The configuration for Example 2 is:

- BPI (x16) Synchronous mode, operating at 50 MHz \pm 100 ppm
- Stage 1 size = 12003648 bits

The steps to calculate the configuration loading time are:

1. Calculate the minimum clock frequency:

$$50 \text{ MHz} \times (1 - 0.0001) = 49.995 \text{ MHz}$$

2. Calculate the minimum PROM bandwidth:

$$16 \text{ bits} \times 49.995 \text{ MHz} = 799.92 \text{ Mb/s}$$

3. Calculate the stage 1 bitstream loading time:

$$11.45 \text{ Mb} / 799.92 \text{ Mb/s} = \sim 0.0143 \text{ s or } 14.3 \text{ ms}$$

Using Bitstream Compression

Minimizing the stage 1 bitstream size is the ultimate goal of Tandem Configuration, and the use of bitstream compression aids in this effort. This option uses a multi-frame write technique to reduce the size of the bitstream and therefore the configuration time required. The amount of compression varies from design to design. To enable bitstream compression, this property is added by default in the `create_bitstreams.tcl` script:

```
set_property BITSTREAM.GENERAL.COMPRESS TRUE [current_design]
```

Other Bitstream Load Time Considerations

Bitstream configuration times can also be affected by:

- Power supply ramp times, including any delays due to regulators
- T_{POR} (power on reset)

Power-supply ramp times are design-dependent. Take care to not design in large ramp times or delays. The FPGA power supplies that must be provided to begin FPGA configuration are listed in *7 Series FPGAs Configuration User Guide (UG470)*.

In many cases, the FPGA power supplies can ramp up simultaneously or even slightly before the system power supply. In these cases, the design gains timing margin because the 100 ms does not start counting until the system supplies are stable. Again, this is design-dependent. Systems should be characterized to determine the relationship between FPGA supplies and system supplies.

T_{POR} is 50 ms for standard power ramp rates, and 35 ms for fast ramp rates for 7 series devices. See *Kintex-7 FPGAs Data Sheet: DC and AC Switching Characteristics (DS182)* and *Virtex-7 FPGAs Data Sheet: DC and AC Switching Characteristics (DS183)*.

Consider two cases for Example 1 (Quad SPI flash [x4] operating at 66 MHz \pm 200 ppm) from [Calculating Bitstream Load Time for Tandem](#):

- [Case 1: Without ATX Supply](#)
- [Case 2: With ATX Supply](#)

Assume that the FPGA power supplies ramp to a stable level (2 ms) after the 3.3V and 12V system power supplies. This time difference is called T_{FPGA_PWR} . In this case, because the FPGA supplies ramp after the system supplies, the power supply ramp time takes away from the 100 ms margin.

The equations to test are:

$$T_{POR} + \text{Bitstream Load Time} + T_{FPGA_PWR} < 100 \text{ ms for non-ATX}$$

$$T_{POR} + \text{Bitstream Load Time} + T_{FPGA_PWR} - 100 \text{ ms} < 100 \text{ ms for ATX}$$

Case 1: Without ATX Supply

Because there is no ATX supply, the 100 ms begins counting when the 3.3V and 12 V system supplies reach within 9% and 8% of their nominal voltages, respectively (see the *PCI Express Card Electromechanical Specification*).

$$50 \text{ ms } (T_{POR}) + 43.4 \text{ ms (bitstream time)} + 2 \text{ ms (ramp time)} = 96.4 \text{ ms}$$

$$96.4 \text{ ms} < 100 \text{ ms PCIe standard (okay)}$$

In this case, the margin is 3.6 ms.

Case 2: With ATX Supply

ATX supplies provide a PWR_OK signal that indicates when system power supplies are stable. This signal is asserted at least 100 ms after actual supplies are stable. Thus, this extra 100 ms can be added to the timing margin.

$$50 \text{ ms } (T_{POR}) + 43.4 \text{ ms (bitstream time)} + 2 \text{ ms (ramp time)} - 100 \text{ ms} = -2 \text{ ms}$$

$$3.4 \text{ ms} < 100 \text{ ms PCIe standard (okay)}$$

In this case, the margin is 103.4 ms.

Sample Bitstream Sizes

The final size of the stage 1 bitstream varies based on many factors, including:

- **IP:** The size and shape of the stage 1 Pblocks determine the number of frames required for stage 1.
- **Device:** Wider devices require more routing frames to connect the IP to clocking resources.
- **Design:** Location of the reset pin is one of many factors introduced by the addition of the user application.
- **Variant:** Tandem PCIe is a bit larger than Tandem PROM due to the inclusion of the 32-bit connection to the ICAP.
- **Compression:** As the device utilization increases, the effectiveness of compression decreases.

As a baseline, here are some sample bitstream sizes and configuration times for the example (PIO) design generated along with the PCIe IP.

Table 3-51: Example Bitstream Size and Configuration Times⁽¹⁾

Device	Variant	Full Bitstream	Full: BPI16 at 50 MHz	Tandem Stage 1 ⁽²⁾	Tandem: BPI16 at 50 MHz
7K160T	Tandem PROM	51.1 Mb	63.8 ms	13.1 Mb	16.3 ms
	Tandem PCIe	51.1 Mb	63.8 ms	13.6 Mb	17.0 ms
7K325T	Tandem PROM	87.3 Mb	109.1 ms	16.6 Mb	20.7 ms
	Tandem PCIe	87.3 Mb	109.1 ms	20.9 Mb	26.2 ms
7VX485T	Tandem PROM	154.7 Mb	193.3 ms	23.6 Mb	29.5 ms
	Tandem PCIe	154.7 Mb	193.3 ms	27.8 Mb	34.7 ms

Notes:

1. The configuration times shown here do not include T_{POR} .
2. Because the PIO design is very small, compression is very effective in reducing the bitstream size. These numbers were obtained without compression to give a more accurate estimate for what a full design might show. These numbers were generated using a PCIe Gen2x8 configuration in Vivado Design Suite 2015.1.

The amount of time it takes to load the stage 2 bitstream using the Tandem PCIe methodology depends on three additional factors:

- The width and speed of PCI Express link.
- The frequency of the clock used to program the ICAP.
- The efficiency at which the Root Port host can deliver the bitstream to the endpoint FPGA design. For most designs this will be the limiting factor.

The lower bandwidth of these three factors determines how fast the stage 2 bitstream is loaded.

Clocking

Figure 3-82 shows the clocking diagram for this core.

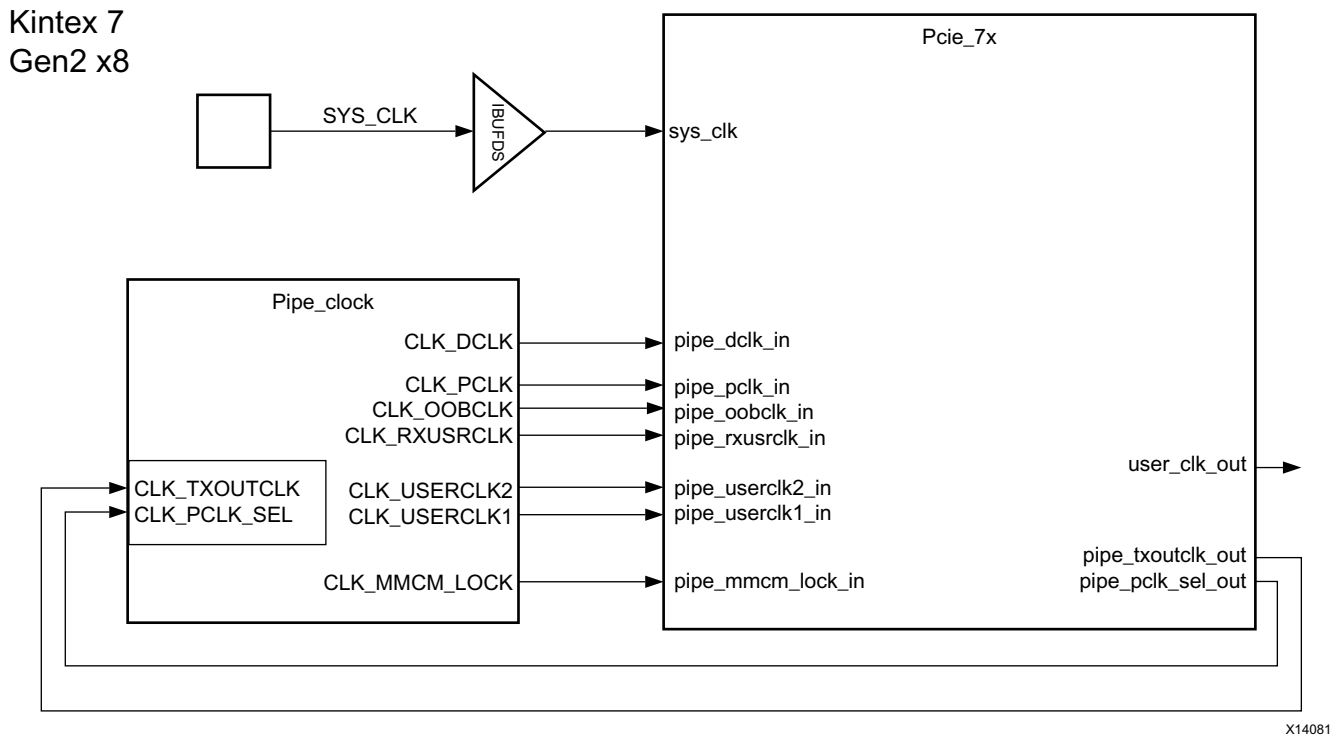


Figure 3-82: Clocking Diagram

The integrated block input system clock signal is called `sys_clk`. The core requires a 100 MHz, 125 MHz, or 250 MHz clock input. The clock frequency used must match the clock frequency selection in the Vivado IDE.

In a typical PCI Express solution, the PCI Express reference clock is a Spread Spectrum Clock (SSC), provided at 100 MHz. In most commercial PCI Express systems, SSC cannot be disabled. For more information regarding SSC and PCI Express, see section 4.3.1.1.1 of the *PCI Express Base Specification* [Ref 2].

Synchronous and Non-Synchronous Clocking

There are two ways to clock the PCI Express system:

- Using synchronous clocking, where a shared clock source is used for all devices.
- Using non-synchronous clocking, where each device has its own clock source. ASPM must not be used in systems with non-synchronous clocking. When this mode is used, set the `PCIE_ASYNC_EN` to `TRUE`. For more details, [AR 52400](#).



RECOMMENDED: Use synchronous clocking when using the core. All add-in card designs must use synchronous clocking due to the characteristics of the provided reference clock. For devices using the Slot clock, the **Slot Clock Configuration** setting in the Link Status Register must be enabled in the Vivado IDE. See the 7 Series FPGAs GTX Transceivers User Guide (UG476) and device data sheet for additional information regarding reference clock requirements.

For synchronous clocked systems, each link partner device shares the same clock source. Figure 3-83 and Figure 3-85 show a system using a 100 MHz reference clock. When using the 125 MHz or the 250 MHz reference clock option, an external PLL must be used to do a multiply of 5/4 and 5/2 to convert the 100 MHz clock to 125 MHz and 250 MHz, respectively, as illustrated in Figure 3-84 and Figure 3-86.

Further, even if the device is part of an embedded system, if the system uses commercial PCI Express root complexes or switches along with typical motherboard clocking schemes, synchronous clocking should still be used as shown in Figure 3-83 and Figure 3-84.

Figure 3-83 through Figure 3-86 illustrate high-level representations of the board layouts. You must ensure that proper coupling, and termination are used when laying out the board.

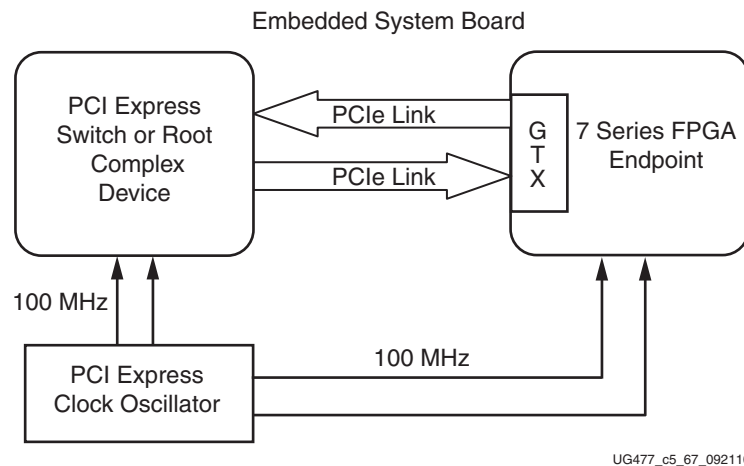


Figure 3-83: Embedded System Using 100 MHz Reference Clock

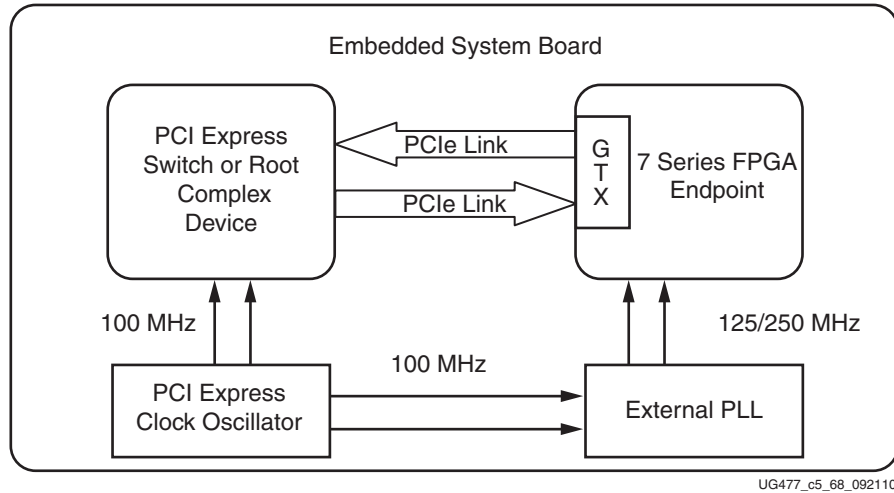


Figure 3-84: Embedded System Using 125/250 MHz Reference Clock

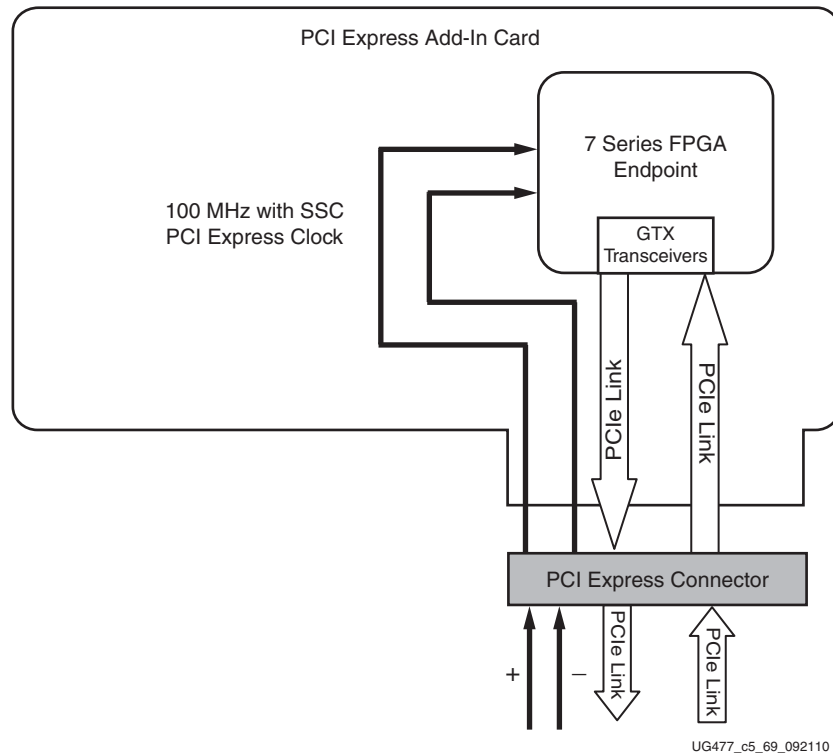


Figure 3-85: Open System Add-In Card Using 100 MHz Reference Clock

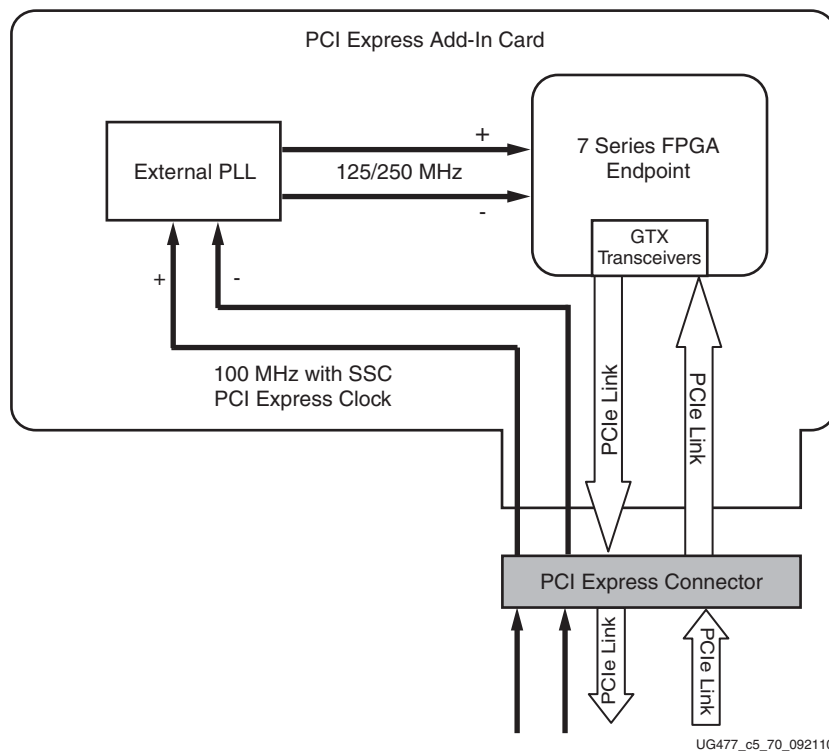


Figure 3-86: Open System Add-In Card Using 125/250 MHz Reference Clock

Resets

The 7 Series FPGAs Integrated Block for PCI Express core uses `sys_rst_n` to reset the system, an asynchronous, active-Low reset signal asserted during the PCI Express Fundamental Reset. Asserting this signal causes a hard reset of the entire core, including the GTX transceivers. After the reset is released, the core attempts to link train and resume normal operation. In a typical Endpoint application, for example, an add-in card, a sideband reset signal is normally present and should be connected to `sys_rst_n`. For Endpoint applications that do not have a sideband system reset signal, the initial hardware reset should be generated locally. Three reset events can occur in PCI Express:

- **Cold Reset.** A Fundamental Reset that occurs at the application of power. The signal `sys_rst_n` is asserted to cause the cold reset of the core.
- **Warm Reset.** A Fundamental Reset triggered by hardware without the removal and re-application of power. The `sys_rst_n` signal is asserted to cause the warm reset to the core.
- **Hot Reset:** In-band propagation of a reset across the PCI Express Link through the protocol. In this case, `sys_rst_n` is not used. In the case of Hot Reset, the `received_hot_reset` signal is asserted to indicate the source of the reset.

The user application interface of the core has an output signal called `user_reset_out`. This signal is deasserted synchronously with respect to `user_clk_out`. Signal `user_reset_out` is asserted as a result of any of these conditions:

- **Fundamental Reset:** Occurs (cold or warm) due to assertion of `sys_rst_n`.
- **PLL within the Core Wrapper:** Loses lock, indicating an issue with the stability of the clock input.
- **Loss of Transceiver PLL Lock:** Any transceiver loses lock, indicating an issue with the PCI Express Link.

The `user_reset_out` signal deasserts synchronously with `user_clk_out` after all of the above conditions are resolved, allowing the core to attempt to train and resume normal operation.



IMPORTANT: *Systems designed to the PCI Express electro-mechanical specification provide a sideband reset signal, which uses 3.3V signaling levels—see the FPGA device data sheet to understand the requirements for interfacing to such signals.*

Protocol Layers

The functions of the protocol layers, as defined by the *PCI Express Base Specification* [Ref 2], include generation and processing of transaction layer packets (TLPs), flow control management, initialization, power management, data protection, error checking and retry, physical link interface initialization, maintenance and status tracking, serialization, deserialization, and other circuitry for interface operation. Each layer is defined in the next subsections.

Transaction Layer

The Transaction Layer is the upper layer of the PCI Express architecture, and its primary function is to accept, buffer, and disseminate Transaction Layer packets or TLPs. TLPs communicate information through the use of memory, I/O, configuration, and message transactions. To maximize the efficiency of communication between devices, the Transaction Layer enforces PCI compliant Transaction ordering rules and manages TLP buffer space through credit-based flow control.

Data Link Layer

The Data Link Layer acts as an intermediate stage between the Transaction Layer and the Physical Layer. Its primary responsibility is to provide a reliable mechanism for the exchange of TLPs between two components on a link.

Services provided by the Data Link Layer include data exchange (TLPs), error detection and recovery, initialization services and the generation and consumption of Data Link Layer Packets (DLLPs). DLLPs are used to transfer information between Data Link Layers of two directly connected components on the link. DLLPs convey information such as Power Management, Flow Control, and TLP acknowledgments.

Physical Layer

The Physical Layer interfaces the Data Link Layer with signaling technology for link data interchange, and is subdivided into the Logical sub-block and the Electrical sub-block.

- The Logical sub-block frames and deframes TLPs and DLLPs. It also implements the Link Training and Status State machine (LTSSM), which handles link initialization, training, and maintenance. Scrambling, descrambling, and 8B/10B encoding and decoding of data is also performed in this sub-block.
- The Electrical sub-block defines the input and output buffer characteristics that interfaces the device to the PCIe® link.

The Physical Layer also supports Lane Reversal (for multi-lane designs) and Lane Polarity Inversion, as indicated in the *PCI Express Base Specification, rev. 2.1* [Ref 2] requirement.

Configuration Management

The Configuration Management layer maintains the PCI™ Type 0 Endpoint configuration space and supports these features:

- Implements the PCI Configuration Space
- Supports Configuration Space accesses
- Power Management functions
- Implements error reporting and status functionality
- Implements packet processing functions
 - Receive
 - Configuration Reads and Writes
 - Transmit
 - Completions with or without data
 - Transaction Layer Module (TLM) Error Messaging
 - User Error Messaging
 - Power Management Messaging/Handshake
- Implements MSI and INTx interrupt emulation

- Optionally implements MSIx Capability Structure in the PCI Configuration Space
- Optionally implements the Device Serial Number Capability in the PCI Express Extended Capability Space
- Optionally implements Virtual Channel Capability (support only for VC0) in the PCI Express Extended Capability Space
- Optionally implements Xilinx defined Vendor Specific Capability Structure in the PCI Express Extended Capability space to provide Loopback Control and Status
- Optionally implements Advanced Error Reporting (AER) Capability Structure in the PCI Express Extended Configuration Space
- Optionally implements Resizable BAR (RBAR) Capability Structure in the PCI Express Extended Configuration Space

Shared Logic

This new feature allows you to share common logic across multiple instances of PCIe Blocks or with other cores with certain limitations. The Shared Logic feature minimizes the HDL modifications needed by bringing the logic to be shared to the top module of the design; it also enables additional ports on the top module to enable sharing. This feature is applicable for both Endpoint mode and Root Port mode.

In the Vivado Design Suite, the shared logic options are available in the **Shared Logic** page when customizing the core.

There are four types of logic sharing:

- [Shared Clocking](#)
- [Shared GT_COMMON](#)
- [Shared GT_COMMON and Clocking](#)
- [Internal Shared GT_COMMON and Clocking](#)



IMPORTANT: For Shared Clocking option Include Shared Logic (Clocking) in example design (default mode), Shared GT_COMMON option Include Shared Logic (Transceiver GT_COMMON) in example design, and Shared GT_COMMON and Clocking, to generate the corresponding modules in the support directory, you must run the Open IP Example Design command after the output products are generated. For the option Include Shared Logic in Core, these modules are generated in the source directory.

Shared Clocking

To use the share clocking feature, select **Include Shared Logic (Clocking) in example design** option in the in the Shared Logic tab ([Figure 3-87](#)).

When this feature is selected, the mixed-mode clock manager (MMCM) instance is removed from the pipe wrappers and is moved into the support wrapper of the example design. It also brings out additional ports to the top level to enable sharing of the clocks.

You also have the option to modify and use the unused outputs of the MMCM.

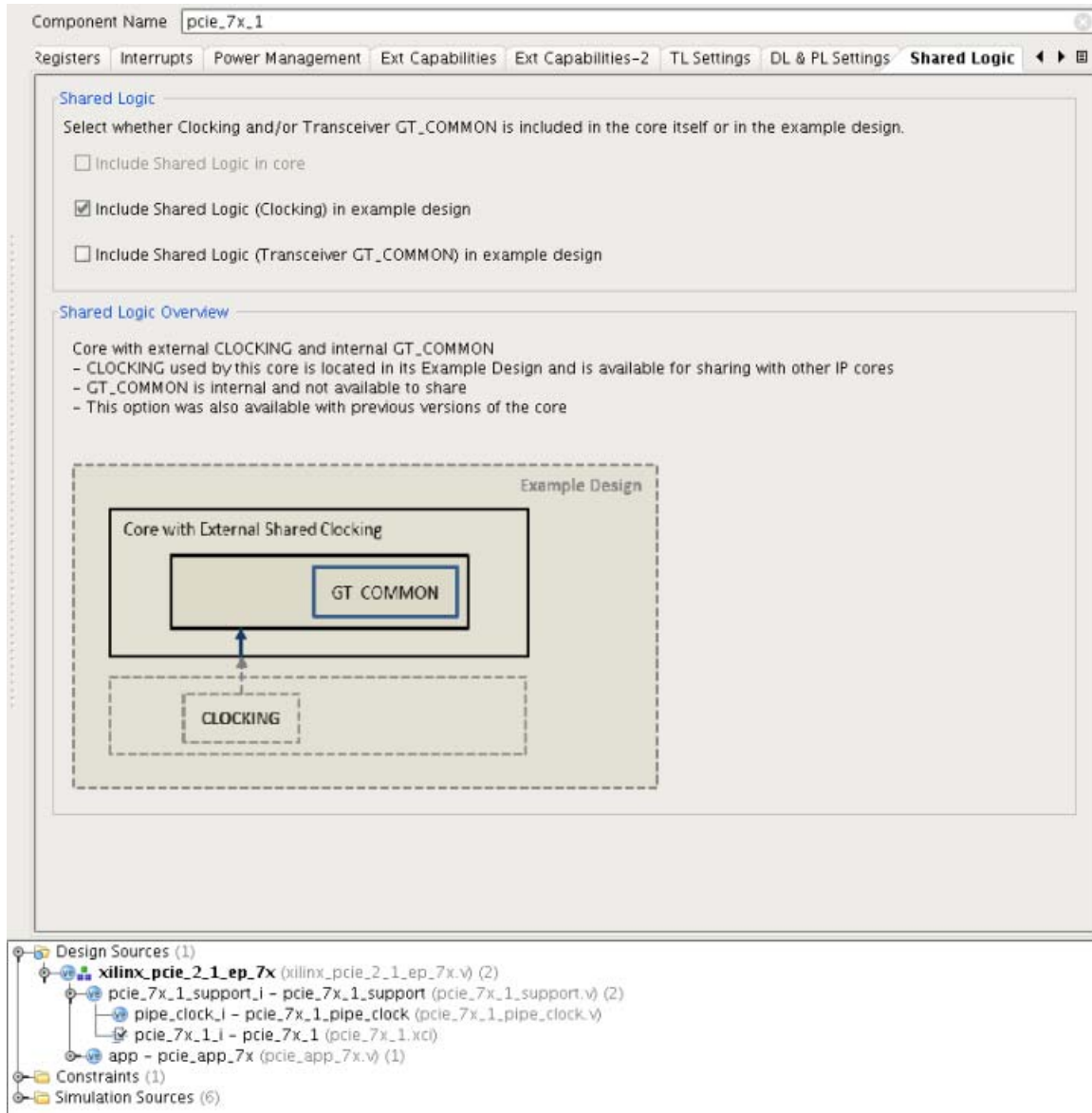


Figure 3-87: Shared Clocking

The MMCM generates the following clocks for PCIe solution wrapper:

- clk_125mhz - 125 MHz clock.
- clk_250mhz - 250 MHz clock.

- userclk - 62.5 MHz / 125 MHz / 250 MHz clock, depending on selected PCIe core lane width, link speed, and AXI interface width.
- userclk2 – 250 MHz / 500 MHz clock, depending on selected PCIe core link speed.
- oobclk

The other cores/logic present in the user design can use any of the MMCM outputs listed above.

The MMCM instantiated in the PCIe example design has two unconnected outputs: CLKOUT5, and CLKOUT6. These outputs can be used to generate other desired clock frequencies by selecting the appropriate CLKOUT5_DIVIDE and CLKOUT6_DIVIDE parameters for MMCM.



TIP: *Sharing the MMCM between PCIe and other cores in your design saves FPGA resources and eases output clock path routing.*

Limitations

- Reference clock input to MMCM is restricted to 100 MHz in most use cases.
 - There is an option for selecting a reference clock of 125MHz or 250MHz, which is not a common use case.
- The MMCM reset is tied to a static value in the top module. The MMCM can be reset as required by the system design. The MMCM reset can be asserted only after reference clock is recovered and is stable. Also, MMCM reset is indirectly tied to the PCIe core reset and asserting MMCM reset resets the PCIe core.
- Userclk1 and Userclk2 outputs are selected based on the **PCIe Lane Width, Link Speed, and AXI width** selections (for details, see [Chapter 4, Customizing and Generating the Core](#)). Sharing cores must comply with these requirements.

Shared GT_COMMON

A quad phase-locked loop (QPLL) in GT_COMMON can serve a quad of GT_CHANNEL instances. If the PCIe core is configured as X1 or X2 and is using a QPLL, the remaining GT_CHANNEL instances can be used by other cores by sharing the same QPLL and GT_COMMON.

To use the shared GT_COMMON instances, select the **Include Shared Logic (Transceiver GT_COMMON) in example design** option in the Shared Logic tab ([Figure 3-88](#)).

When this feature is selected, the GT_COMMON instance is removed from the pipe wrappers and is moved into the support wrapper of the example design. It also brings out additional ports to the top level to enable sharing of the GT_COMMON.

Shared logic feature for GT_COMMON helps save FPGA resources and also eases dedicated clock routing within the single GT quad.

Shared GT_COMMON Use Cases with GTX and GTP

Table 3-52: Shared GT_COMMON Use Cases

GT – PCIe max Link Speed	Device – PCIe Max Link Speed	Shared GT_COMMON
GTX	Kintex-7, Virtex-7 (485T) – PCIe Gen2	PCIe design instantiates and uses the GT_COMMON instance. Shared IP can use the GT_COMMON as long as it can use the same QPLL clock frequencies.
GTP	Artix-7 – PCIe Gen2	GTP_COMMON has 2 QPLLs. PCIe design only uses one QPLL. The remaining one can be used by shared IP core.

Limitations

- The reset logic in the pipe wrapper resets the QPLL when the PCIe Block performs a rate change. When sharing is enabled, the core/logic which is sharing the QPLL must be able to handle and recover from this reset.
- The settings of the GT_COMMON should not be changed as they are optimized for the PCIe core.

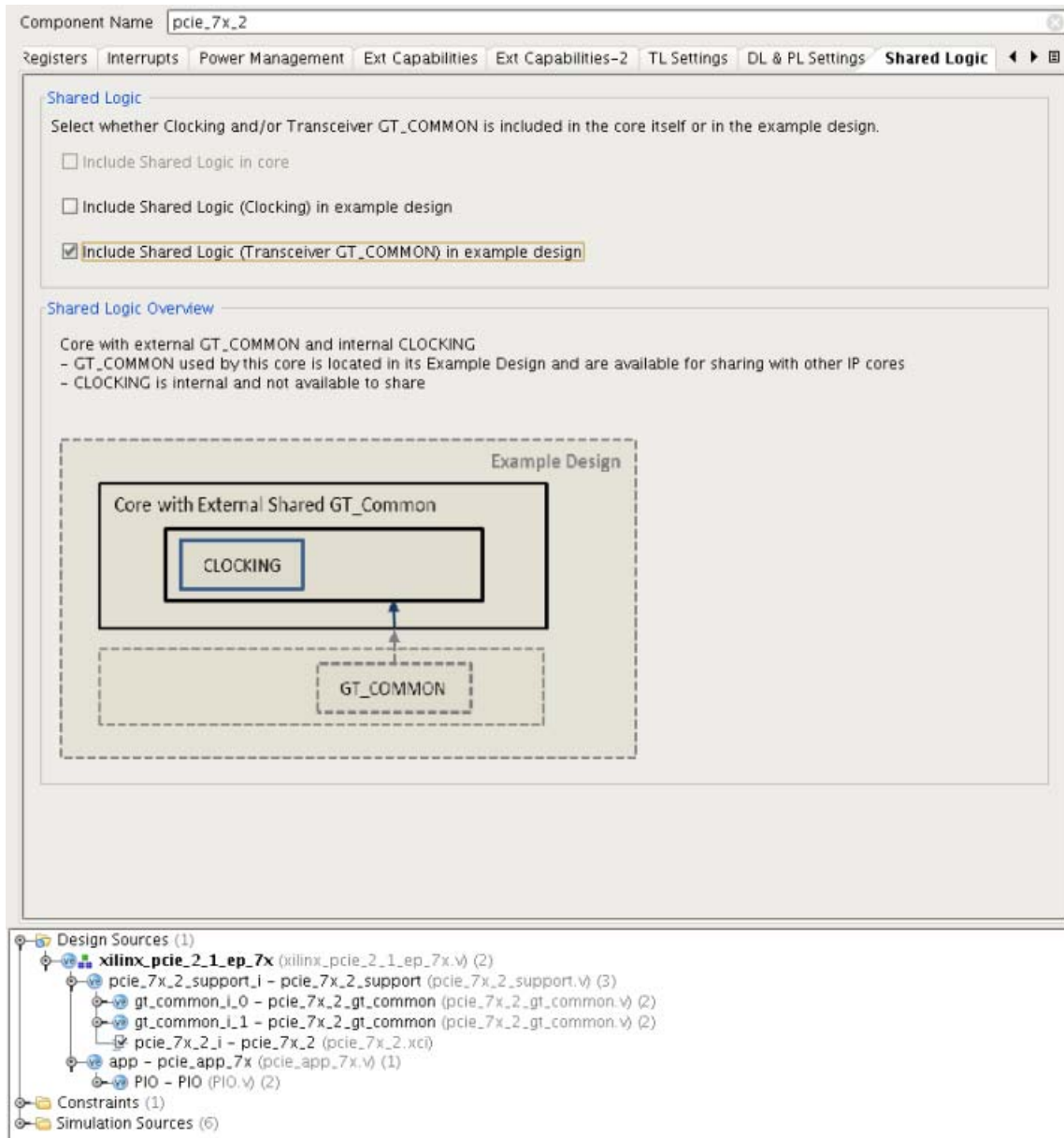


Figure 3-88: Shared GT_COMMON

Shared GT_COMMON and Clocking

Both the GT_COMMON and Clocks can be shared when you select **Include Shared Logic (Clocking) in example design** and **Include Shared Logic (Transceiver GT_COMMON) in example design** in the Shared Logic tab (see Figure 3-89).

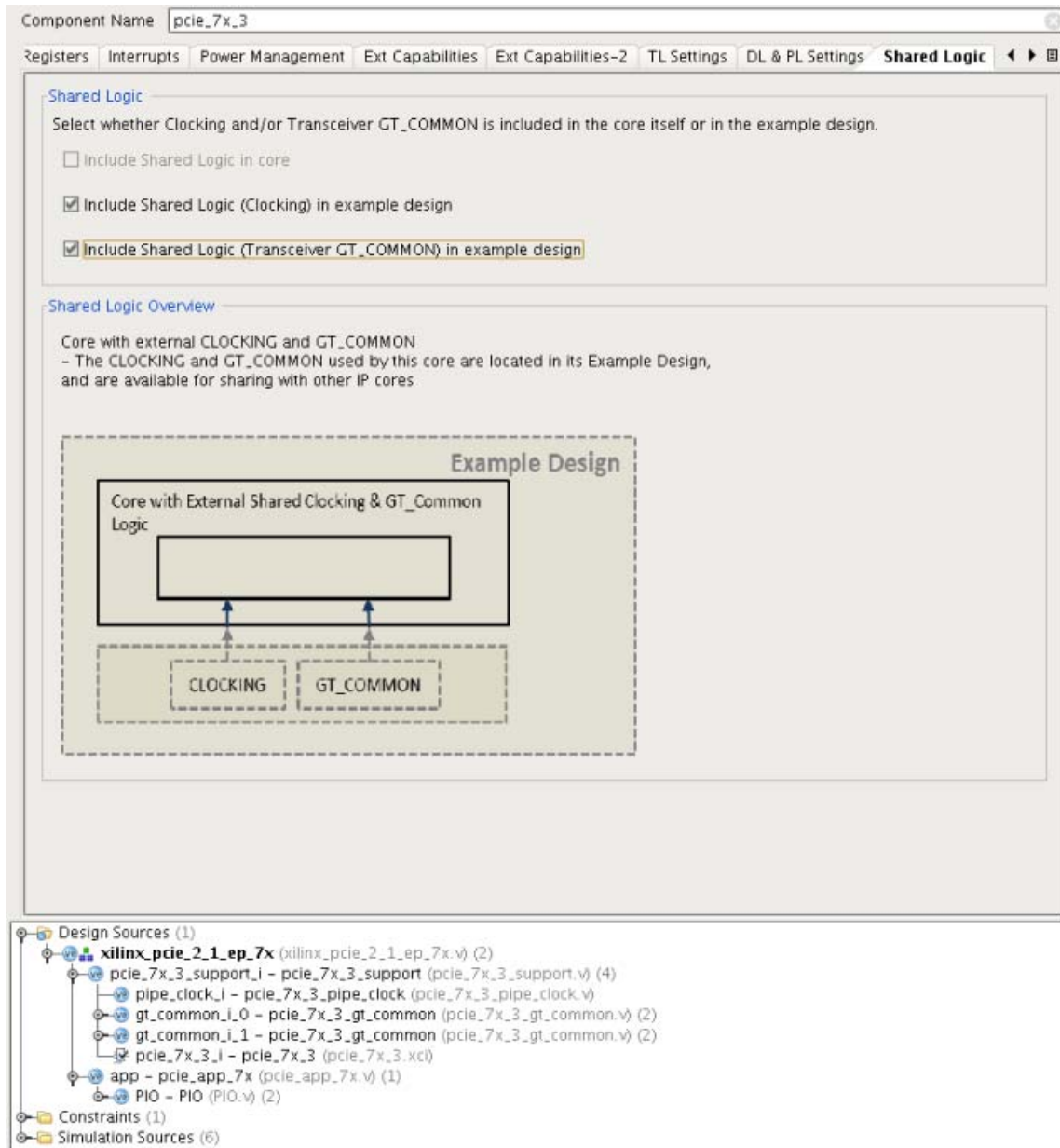


Figure 3-89: Shared GT_COMMON and Clocking

Internal Shared GT_COMMON and Clocking

This feature allows sharing of GT_COMMON and Clocks while these modules are still internal to the core (not brought up to the support wrapper). It can be enabled when you select **Include Shared Logic in Core** in the Shared Logic tab (see Figure 3-90).

Component Name: `pcie_7x_4`

Registers | Interrupts | Power Management | Ext Capabilities | Ext Capabilities-2 | TL Settings | DL & PL Settings | **Shared Logic**

Shared Logic

Select whether Clocking and/or Transceiver GT_COMMON is included in the core itself or in the example design.

Include Shared Logic in core

Include Shared Logic (Clocking) in example design

Include Shared Logic (Transceiver GT_COMMON) in example design

Shared Logic Overview

Core with internal CLOCKING and GT_COMMON

- The CLOCKING and GT_COMMON used by this IP core are located in this IP core, and are available for sharing with other IP cores
- Please consult the product guide for information on the additional ports that are generated on this IP core to facilitate sharing

The diagram illustrates the internal shared logic of the core. A solid box labeled "Core with Internal Shared Logic" contains two sub-components: "CLOCKING" and "GT_COMMON". Dashed arrows point from these two components down to a dashed box labeled "Core with External Shared Logic", indicating that the internal logic is shared with other cores in the design.

Design Sources (1)

- xilinx_pcie_2_1_ep_7x (xilinx_pcie_2_1_ep_7x.v) (2)
 - pcie_7x_4_i - pcie_7x_4 (pcie_7x_4.xci)
 - app - pcie_app_7x (pcie_app_7x.v) (1)
 - PIO - PIO (PIO.v) (2)

Constraints (1)

Simulation Sources (5)

Figure 3-90: Internal Shared Logic

Clocking Interface

Table 3-53 defines the clocking interface signals.

Table 3-53: Clocking Interface Signals

Name	Direction	Description
pipe_pclk_in	Input	Parallel clock used to synchronize data transfers across the parallel interface of the GTX transceiver.
pipe_rxusrclk_in	Input	Provides a clock for the internal RX PCS datapath.
pipe_rxoutclk_in	Input	Recommended clock output to the FPGA logic.
pipe_dclk_in	Input	Dynamic reconfiguration clock.
pipe_userclk1_in	Input	Optional user clock.
pipe_userclk2_in	Input	Optional user clock.
pipe_mmcm_lock_in	Input	Indicates if the MMCM is locked onto the source CLK.
pipe_txoutclk_out	Output	Recommended clock output to the FPGA logic.
pipe_rxoutclk_out	Output	Recommended clock output to the FPGA logic.
pipe_pclk_sel_out	Output	Parallel clock select.
pipe_gen3_out	Output	Indicates the PCI Express operating speed.
pipe_mmcm_rst_n		MMCM reset port. This port could be used by the upper layer to reset MMCM if error recovery is required. If the system detects the deassertion of MMCM lock, Xilinx recommends that you reset the MMCM. The recommended approach is to reset the MMCM after the MMCM input clock recovers (if MMCM reset occurs before the input reference clock recovers, the MMCM might never relock). After MMCM is reset, wait for MMCM to lock and then reset the PIPE Wrapper as normally done. Currently this port is tied High.

The Clocking architecture is described in detail in the Use Model chapter of the *7 Series FPGAs GTX/GTH Transceivers User Guide (UG476)* [Ref 12].

FPGA Configuration

This section discusses how to configure the 7 series FPGA so that the device can link up and be recognized by the system. This information is provided for you to choose the correct FPGA configuration method for the system and verify that it works as expected.

This section discusses how specific requirements of the *PCI Express Base Specification* and *PCI Express Card Electromechanical Specification* [Ref 2] apply to FPGA configuration.



RECOMMENDED: Where appropriate, Xilinx recommends that you read the actual specifications for detailed information.

See [Tandem PROM, page 156](#) for more information on meeting configuration requirements after reading this section.

This section contains these subsections:

- [Configuration Terminology](#). Defines terms used in this section.
- [Configuration Access Time](#). Several specification items govern when an Endpoint device needs to be ready to receive configuration accesses from the host (Root Complex).
- [Board Power in Real-World Systems](#). Understanding real-world system constraints related to board power and how they affect the specification requirements.
- [Recommendations](#). Describes methods for FPGA configuration and includes sample issue analysis for FPGA configuration timing issues.

Configuration Terminology

In this section, these terms are used to differentiate between FPGA configuration and configuration of the PCI Express® device:

- Configuration of the FPGA. *FPGA configuration* is used.
- Configuration of the PCI Express device. After the link is active, *configuration* is used.

Configuration Access Time

In standard systems for PCI Express, when the system is powered up, configuration software running on the processor starts scanning the PCI Express bus to discover the machine topology.

The process of scanning the PCI Express hierarchy to determine its topology is referred to as the *enumeration process*. The root complex accomplishes this by initiating configuration transactions to devices as it traverses and determines the topology.

All PCI Express devices are expected to have established the link with their link partner and be ready to accept configuration requests during the enumeration process. As a result, there are requirements as to when a device needs to be ready to accept configuration requests after powerup; if the requirements are not met, this occurs:

- If a device is not ready and does not respond to configuration requests, the root complex does not discover it and treats it as non-existent.
- The operating system does not report the existence of the device, and the user application is not able to communicate with the device.

Choosing the appropriate FPGA configuration method is key to ensuring the device is able to communicate with the system in time to achieve link up and respond to the configuration accesses.

Configuration Access Specification Requirements

Two PCI Express specification items are relevant to configuration access:

1. Section 6.6 of *PCI Express Base Specification*, rev 1.1 states “A system must guarantee that all components intended to be software visible at boot time are ready to receive Configuration Requests within 100 ms of the end of Fundamental Reset at the Root Complex.” For detailed information about how this is accomplished, see the specification [Ref 2].

Xilinx compliance to this specification is validated by the PCI Express-CV tests. The [PCI Special Interest Group \(PCI-SIG\)](#) provides the PCI Express Configuration Test Software to verify the device meets the requirement of being able to receive configuration accesses within 100 ms of the end of the fundamental reset. The software, available to any member of the PCI-SIG, generates several resets using the in-band reset mechanism and PERST# toggling to validate robustness and compliance to the specification.

2. Section 6.6 of *PCI Express Base Specification v1.1* [Ref 2] defines three parameters necessary “where power and PERST# are supplied.” The parameter T_{PVPERL} applies to FPGA configuration timing and is defined as:

T_{PVPERL} - PERST# must remain active at least this long after power becomes valid.

The *PCI Express Base Specification* does not give a specific value for T_{PVPERL} – only its meaning is defined. The most common form factor used with the core is an ATX-based form factor. The *PCI Express Card Electromechanical Specification* [Ref 2] focuses on requirements for ATX-based form factors. This applies to most designs targeted to standard desktop or server type motherboards. Figure 3-91 shows the relationship between Power Stable and PERST#.

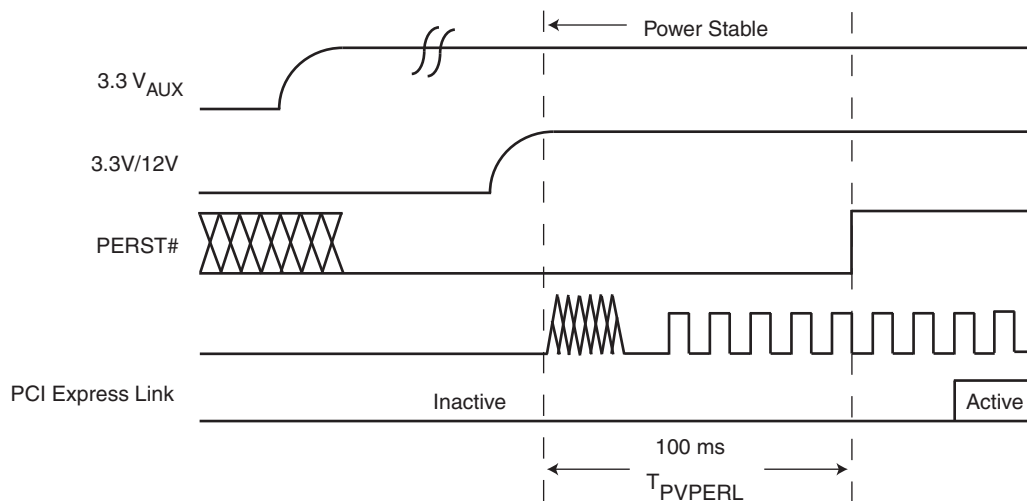


Figure 3-91: Power Up

Section 2.6.2 of the *PCI Express Card Electromechanical Specification, v1.1* [Ref 2] defines T_{PVPERL} as a minimum of 100 ms, indicating that from the time power is stable the system

reset is asserted for at least 100 ms (as shown in [Table 3-54](#)).

Table 3-54: T_{PVPERL} Specification

Symbol	Parameter	Min	Max	Units
T _{PVPERL}	Power stable to PERST# inactive	100		ms

From [Figure 3-91](#) and [Table 3-54](#), it is possible to obtain a simple equation to define the FPGA configuration time as follows:

$$\text{FPGA Configuration Time} \leq T_{\text{PWRVLD}} + T_{\text{PVPERL}} \quad \text{Equation 3-1}$$

Given that T_{PVPERL} is defined as 100 ms minimum, this becomes:

$$\text{FPGA Configuration Time} \leq T_{\text{PWRVLD}} + 100 \text{ ms} \quad \text{Equation 3-2}$$

Note: Although T_{PWRVLD} is included in [Equation 3-2](#), it has yet to be defined in this discussion because it depends on the type of system in use. The [Board Power in Real-World Systems](#) section defines T_{PWRVLD} for both ATX-based and non ATX-based systems.

FPGA configuration time is only relevant at cold boot; subsequent warm or hot resets do not cause reconfiguration of the FPGA. If the design appears to be having issues due to FPGA configuration, you should issue a warm reset as a simple test, which resets the system, including the PCI Express link, but keeps the board powered. If the issue does not appear, the issue could be FPGA configuration time related.

Board Power in Real-World Systems

Several boards are used in PCI Express systems. The *ATX Power Supply Design* specification, endorsed by Intel, is used as a guideline and for this reason followed in the majority of mother boards and 100% of the time if it is an Intel-based motherboard. The relationship between power rails and power valid signaling is described in the *ATX 12V Power Supply Design Guide* [Ref 22]. Figure 3-92, redrawn here and simplified to show the information relevant to FPGA configuration, is based on the information and diagram found in section 3.3 of the *ATX 12V Power Supply Design Guide*. For the entire diagram and definition of all parameters, see the *ATX 12V Power Supply Design Guide*.

Figure 3-92 shows that power stable indication from Figure 3-91 for the PCI Express system is indicated by the assertion of PWR_OK. PWR_OK is asserted High after some delay when the power supply has reached 95% of nominal.

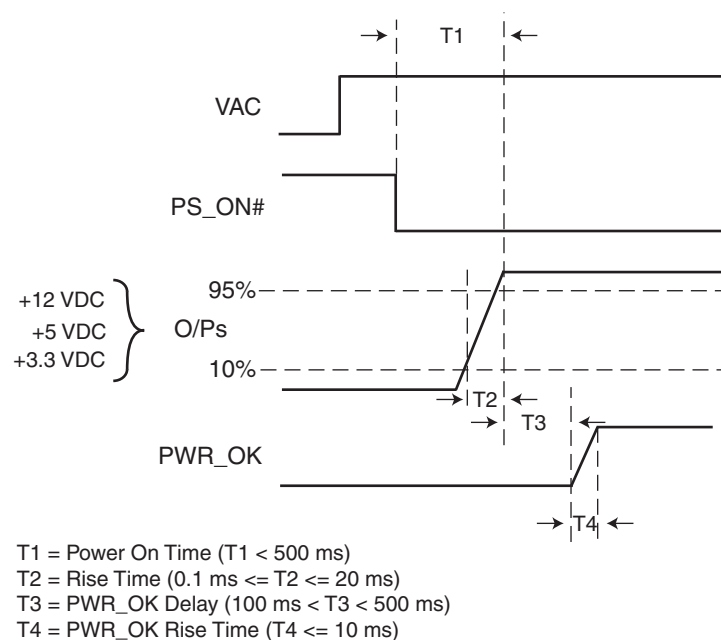


Figure 3-92: ATX Power Supply

Figure 3-92 shows that power is valid before PWR_OK is asserted High. This is represented by T3 and is the PWR_OK delay. The *ATX 12V Power Supply Design Guide* defines PWR_OK as $100 \text{ ms} < T3 < 500 \text{ ms}$, indicating that from the point at which the power level reaches 95% of nominal, there is a minimum of at least 100 ms but no more than 500 ms of delay before PWR_OK is asserted. Remember, according to the *PCI Express Card Electromechanical Specification* [Ref 2], the PERST# is guaranteed to be asserted a minimum of 100 ms from when power is stable indicated in an ATX system by the assertion of PWR_OK.

Again, the FPGA configuration time equation is:

$$\text{FPGA Configuration Time} \leq T_{\text{PWRVLD}} + 100 \text{ ms} \quad \text{Equation 3-3}$$

T_{PWRVLD} is defined as PWR_OK delay period; that is, T_{PWRVLD} represents the amount of time that power is valid in the system before PWR_OK is asserted. This time can be added to the amount of time the FPGA has to configure. The minimum values of T2 and T4 are negligible and considered zero for purposes of these calculations. For ATX-based motherboards, which represent the majority of real-world motherboards in use, T_{PWRVLD} can be defined as:

$$100 \text{ ms} \leq T_{\text{PWRVLD}} \leq 500 \text{ ms} \quad \text{Equation 3-4}$$

This provides these requirements for FPGA configuration time in both ATX and non-ATX-based motherboards:

- FPGA Configuration Time \leq 200 ms (for ATX based motherboard)
- FPGA Configuration Time \leq 100 ms (for non-ATX based motherboard)

The second equation for the non-ATX based motherboards assumes a T_{PWRVLD} value of 0 ms because it is not defined in this context. Designers with non-ATX based motherboards should evaluate their own power supply design to obtain a value for T_{PWRVLD} .

This section assumes that the FPGA power (V_{CCINT}) is stable before or at the same time that PWR_OK is asserted. If this is not the case, then additional time must be subtracted from the available time for FPGA configuration.



IMPORTANT: Avoid designing add-in cards with staggered voltage regulators with long delays.

Hot Plug Systems

Hot Plug systems generally employ the use of a Hot-Plug Power Controller located on the system motherboard. Many discrete Hot-Plug Power Controllers extend T_{PVPERL} beyond the minimum 100 ms. Add-in card designers should consult the Hot-Plug Power Controller data sheet to determine the value of T_{PVPERL} . If the Hot-Plug Power Controller is unknown, then a T_{PVPERL} value of 100 ms should be assumed.

Recommendations



RECOMMENDED: For minimum FPGA configuration time, Xilinx recommends the BPI configuration mode with a parallel NOR flash, which supports high-speed synchronous read operation.

In addition, an external clock source can be supplied to the external master configuration clock (EMCCLK) pin to ensure a consistent configuration clock frequency for all conditions. See *7 Series FPGAs Configuration User Guide (UG470)* [Ref 7] for descriptions of the BPI configuration mode and EMCCLK pin. This section discusses these recommendations and includes sample analysis of potential issues that might arise during FPGA configuration.

FPGA Configuration Times for 7 Series Devices

During powerup, the FPGA configuration sequence is performed in four steps:

1. Wait for power on reset (POR) for all voltages (V_{CCINT} , V_{CCAUX} , and V_{CCO_0}) in the FPGA to trip, referred to as POR Trip Time.
2. Wait for completion (deassertion) of INIT_B to allow the FPGA to initialize before accepting a bitstream transfer.

Note: As a general rule, steps 1 and 2 require ≤ 50 ms

3. Wait for assertion of DONE, the actual time required for a bitstream to transfer depends on:
 - Bitstream size
 - Clock (CCLK) frequency
 - Transfer mode (and data bus width) from the flash device
 - SPI = Serial Peripheral Interface (x1, x2, or x4)
 - BPI = Byte Peripheral Interface (x8 or x16)

Bitstream transfer time can be estimated using this equation.

$$\text{Bitstream transfer time} = (\text{bitstream size in bits}) / (\text{CCLK frequency}) / (\text{data bus width in bits}) \quad \text{Equation 3-5}$$

For detailed information about the configuration process, see the *7 Series FPGAs Configuration User Guide (UG470)* [Ref 7].

Sample Issue Analysis

This section presents data from an ASUS PL5 system to demonstrate the relationships between Power Valid, FPGA Configuration, and PERST#. [Figure 3-93](#) shows a case where the Endpoint failed to be recognized due to a FPGA configuration time issue. [Figure 3-94](#) shows a successful FPGA configuration with the Endpoint being recognized by the system.

Failed FPGA Recognition

[Figure 3-93](#) illustrates an example of a cold boot where the host failed to recognize the Xilinx FPGA. Although a second PERST# pulse assists in allowing more time for the FPGA to configure, the slowness of the FPGA configuration clock (2 MHz) causes configuration to complete well after this second deassertion. During this time, the system enumerated the bus and did not recognize the FPGA.

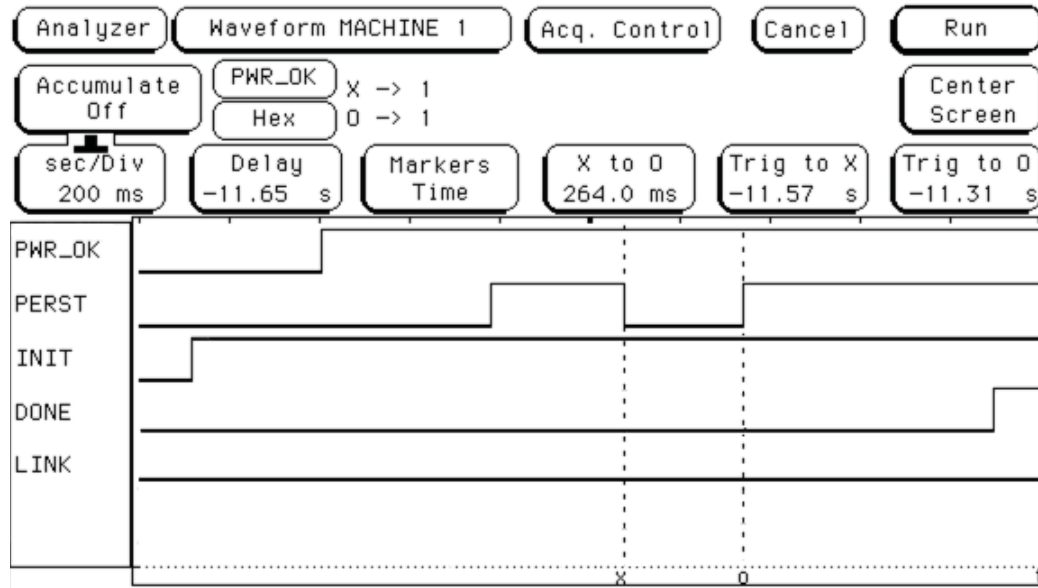


Figure 3-93: Host Fails to Recognize FPGA Due to Slow Configuration Time

Successful FPGA Recognition

Figure 3-94 illustrates a successful cold boot test on the same system. In this test, the CCLK was running at 50 MHz, allowing the FPGA to configure in time to be enumerated and recognized. The figure shows that the FPGA began initialization approximately 250 ms before PWR_OK. DONE going High shows that the FPGA was configured even before PWR_OK was asserted.

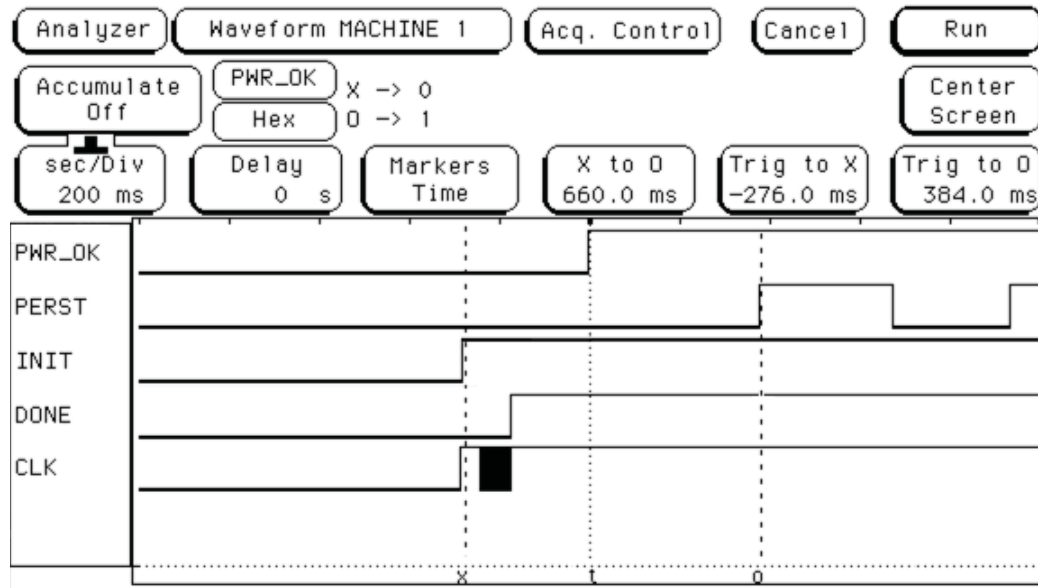


Figure 3-94: Host Successfully Recognizes FPGA

Workarounds for Closed Systems

For failing FPGA configuration combinations, designers might be able to work around the issue in closed systems or systems where they can guarantee behavior. These options are not recommended for products where the targeted end system is unknown.

1. Check if the motherboard and BIOS generate multiple PERST# pulses at start-up. This can be determined by capturing the signal on the board using an oscilloscope. This is similar to what is shown in [Figure 3-93](#). If multiple PERST# pulses are generated, this typically adds extra time for FPGA configuration.

Define $T_{\text{PERSTPERIOD}}$ as the total sum of the pulse width of PERST# and deassertion period before the next PERST# pulse arrives. Because the FPGA is not power cycled or reconfigured with additional PERST# assertions, the $T_{\text{PERSTPERIOD}}$ number can be added to the FPGA configuration equation.

$$\text{FPGA Configuration Time} \leq T_{\text{PWRVLD}} + T_{\text{PERSTPERIOD}} + 100 \text{ ms} \quad \text{Equation 3-6}$$

2. In closed systems, it might be possible to create scripts to force the system to perform a warm reset after the FPGA is configured, after the initial powerup sequence. This resets the system along with the PCI Express subsystem allowing the device to be recognized by the system.

Design Flow Steps

This chapter describes customizing and generating the core, constraining the core, and the simulation, synthesis and implementation steps that are specific to this IP core. More detailed information about the standard Vivado® design flows and the Vivado IP integrator can be found in the following Vivado Design Suite user guides:

- *Vivado Design Suite User Guide: Designing IP Subsystems using IP Integrator* (UG994) [Ref 19]
- *Vivado Design Suite User Guide: Designing with IP* (UG896) [Ref 15]
- *Vivado Design Suite User Guide: Getting Started* (UG910) [Ref 14]
- *Vivado Design Suite User Guide: Logic Simulation* (UG900) [Ref 16]

Customizing and Generating the Core

This section includes information on using the Vivado Design Suite to customize and generate the core.

Note: If you are customizing and generating the core in the IP integrator, see the *Vivado Design Suite User Guide: Designing IP Subsystems using IP Integrator* (UG994) [Ref 19] for detailed information. IP integrator might auto-compute certain configuration values when validating or generating the design. To check whether the values do change, see the description of the parameter in this section. To view the parameter value you can run the `validate_bd_design` command in the Tcl Console.

The 7 Series FPGAs Integrated Block for PCI Express® core is a fully configurable and highly customizable solution. In the Vivado Integrated Design Environment (IDE), you can customize the IP for use in your design by specifying values for the various parameters associated with the IP core using the following steps:

1. Select the IP from the IP catalog.
2. Double-click the selected IP, or select the **Customize IP** command from the toolbar or right-click menu.

The Customize IP dialog box for the 7 Series FPGAs Integrated Block for PCI Express consists of two modes: [Base Mode](#) and [Advanced Mode](#). To select a mode, use the **Mode** drop-down list on the first page of the Customize IP dialog box.

For details, see the *Vivado Design Suite User Guide: Designing with IP* (UG896) [Ref 15], and the *Vivado Design Suite User Guide: Getting Started* (UG910) [Ref 14].

Note: Figures in this chapter are illustrations of the Vivado IDE. This layout might vary from the current version.

Base Mode

The Base mode parameters are explained in this section.

Basic

The initial customization page shown in Figure 4-1 is used to define the basic parameters for the core, including the component name, lane width, and link speed.

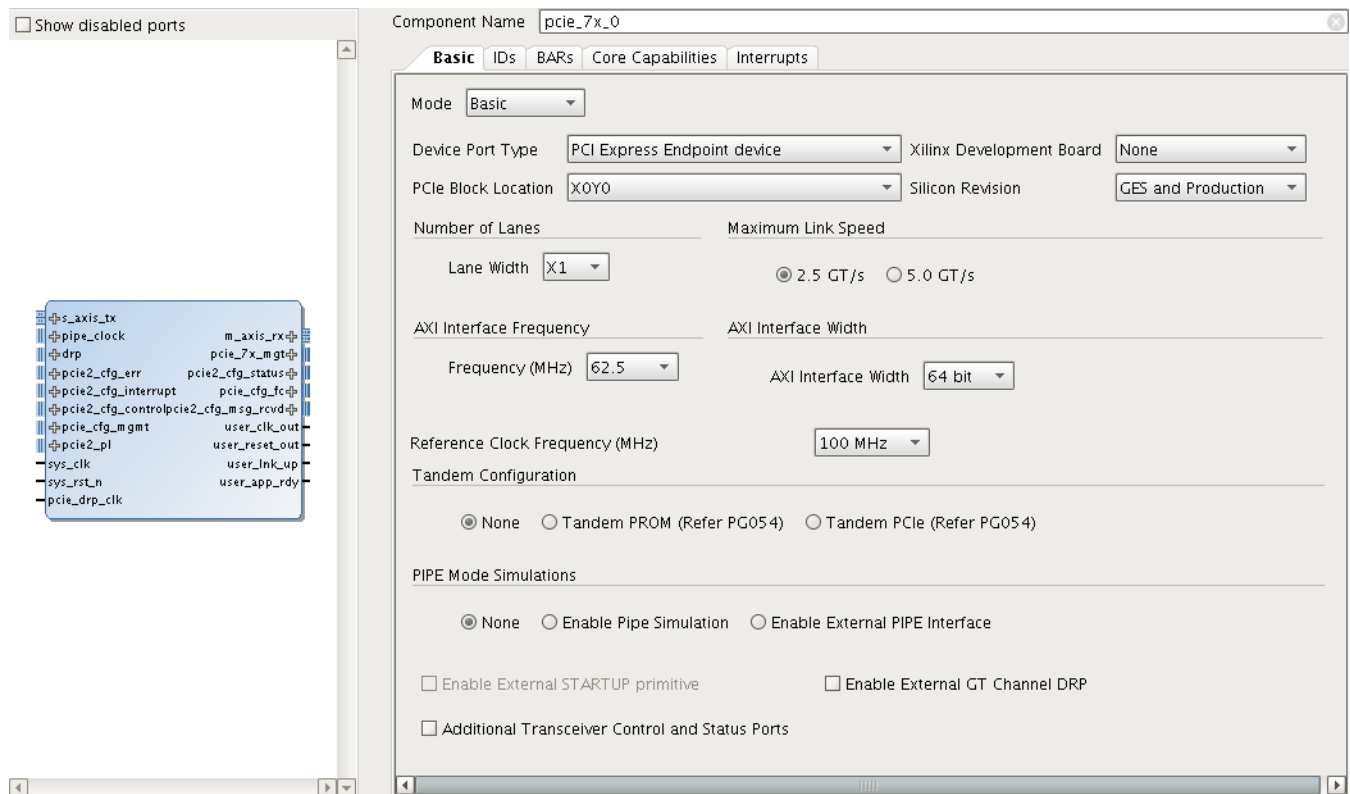


Figure 4-1: Basic Parameters

Component Name

Base name of the output files generated for the core. The name must begin with a letter and can be composed of these characters: a to z, 0 to 9, and "_."

Mode

Allows to select the Basic or Advanced mode of the configuration of the core.

Device / Port Type

Indicates the PCI Express logical device type.

PCIe Block Location

Selects from the Integrated Blocks available to enable generation of location specific constraint files and pinouts.

This option is not available if a Xilinx Development Board is selected.

Xilinx Development Board

Selects the Xilinx Development Board to enable the generation of Xilinx Development Board specific constraints files.

Silicon Revision

Selects the Silicon Revision. The possible options are Initial_ES or GES_and_Production.

Number of Lanes

The 7 Series FPGAs Integrated Block for PCI Express requires the selection of the initial lane width. [Table 4-1](#) defines the available widths and associated generated core. Wider lane width cores are capable of training down to smaller lane widths if attached to a smaller lane-width device. See [Link Training: 2-Lane, 4-Lane, and 8-Lane Components, page 141](#) for more information.

Table 4-1: Lane Width and Product Generated

Lane Width	Product Generated
x1	1-Lane 7 Series FPGAs Integrated Block for PCI Express
x2	2-Lane 7 Series FPGAs Integrated Block for PCI Express
x4	4-Lane 7 Series FPGAs Integrated Block for PCI Express
x8	8-Lane 7 Series FPGAs Integrated Block for PCI Express

Maximum Link Speed

The 7 Series FPGAs Integrated Block for PCI Express allows the selection of maximum link speed supported by the device. [Table 4-2](#) defines the lane widths and link speeds supported by the device. Higher link speed cores are capable of training to a lower link speed if connected to a lower link speed capable device.

Table 4-2: Lane Width and Link Speed

Lane Width	Link Speed
x1	2.5 Gb/s, 5 Gb/s
x2	2.5 Gb/s, 5 Gb/s

Table 4-2: Lane Width and Link Speed

Lane Width	Link Speed
x4	2.5 Gb/s, 5 Gb/s
x8	2.5 Gb/s, 5 Gb/s

AXI Interface Frequency

It is possible to select the clock frequency of the core user interface. Each lane width provides multiple frequency choices: a default frequency, and alternative frequencies, as defined in Table 4-3.



RECOMMENDED: Where possible, use the default frequency.

Selecting the alternate frequencies does not result in a difference in throughput in the core, but does allow the user application to run at an alternate speed.

Table 4-3: Recommended and Optional Transaction Clock (user_clk_out) Frequencies

Product	Link Speed (Gb/s)	Interface Width ⁽¹⁾ (Bits)	Recommended Frequency (MHz)	Optional Frequency (MHz) ⁽²⁾
1-lane	2.5	64	62.5	125, 250
1-lane	5	64	62.5	125, 250
2-lane	2.5	64	62.5	125, 250
2-lane	5	64	125	250
4-lane	2.5	64	125	250
4-lane	5	64	250	-
4-lane	5	128	125	-
8-lane	2.5	64	250	-
8-lane	2.5	128	125	-
8-lane	5	128	250	-

Notes:

- Interface width is a static selection and does not change with dynamic link speed changes.
- For all Artix-7 devices when speed grade -1, -1i, -1l, -1m or -1q is selected, a 250 MHz optional frequency is not supported. The only supported frequencies are 62.5 MHz and 125 MHz.

AXI Interface Width

The 7 Series FPGAs Integrated Block for PCI Express allows the selection of interface width, as defined in Table 4-4. The default interface width is the lowest possible interface width.

Table 4-4: Lane Width, Link Speed, and Interface Width

Lane Width	Link Speed (Gb/s)	Interface Width (Bits)
X1	2.5, 5.0	64
X2	2.5, 5.0	64
X4	2.5	64
X4	5.0	64, 128
X8	2.5	64, 128
X8	5.0	128

Reference Clock Frequency

Selects the frequency of the reference clock provided on `sys_clk`. For information about clocking the core, see [Clocking](#) and [Resets in Chapter 3](#).

Tandem Configuration

The radio buttons, None, Tandem PROM and Tandem PCIe, allow you to choose the Tandem Configuration. The devices supported are K325T, K410T, K420T, V485T, and K160T. For Zynq 7Z030, 7Z045 and 7Z100 devices, only the Tandem PROM option is available. They do not support Tandem PCIe mode.

PIPE Mode Simulations

This group box provides two radio buttons to select either of two PIPE mode simulation mechanisms. This option is enabled for both Endpoint and Root Port configurations only when the **Shared Logic (clocking) in example design option** is selected (see [Shared Logic, page 232](#)).

- **None:** No PIPE mode simulation is available. This is the default value.
- **Enable Pipe Simulation:** When selected, this option generates the core that can be simulated with PIPE interfaces connected.
- **Enable External PIPE Interface:** When selected, this option enables an external third-party bus functional model (BFM) to connect to the PIPE interface of the Integrated Block for PCIe. This feature has been tested only with BFM from Avery Design Systems (XAPP1184 [\[Ref 21\]](#)). For more information, see [PIPE Mode Simulations, page 260](#).

Enable External GT Channel DRP

The external GT channel DRP ports are pulled out to the core top.

- `ext_ch_gt_drpdo[15:0]`
- `ext_ch_gt_drpdi[15:0]`

- ext_ch_gt_drpen[0:0]
- ext_ch_gt_drwe[0:0]
- ext_ch_gt_drprdy[:0]
- ext_ch_gt_drpaddr[8:0]

gt_ch_drp_rdy indicates that external GT channel DRP is ready to use and not in use by internal logic.

Enable External Startup Primitive

This option enables the STARTUP primitive. By default, this parameter is currently disabled.

Additional Transceiver Control and Status Ports

Ports are described in [Additional Transceiver Control and Status Ports in Appendix B](#).

Identifiers (IDs)

The IDs page shown in [Figure 4-2](#) is used to customize the IP initial values, class code, and Cardbus CIS pointer information.

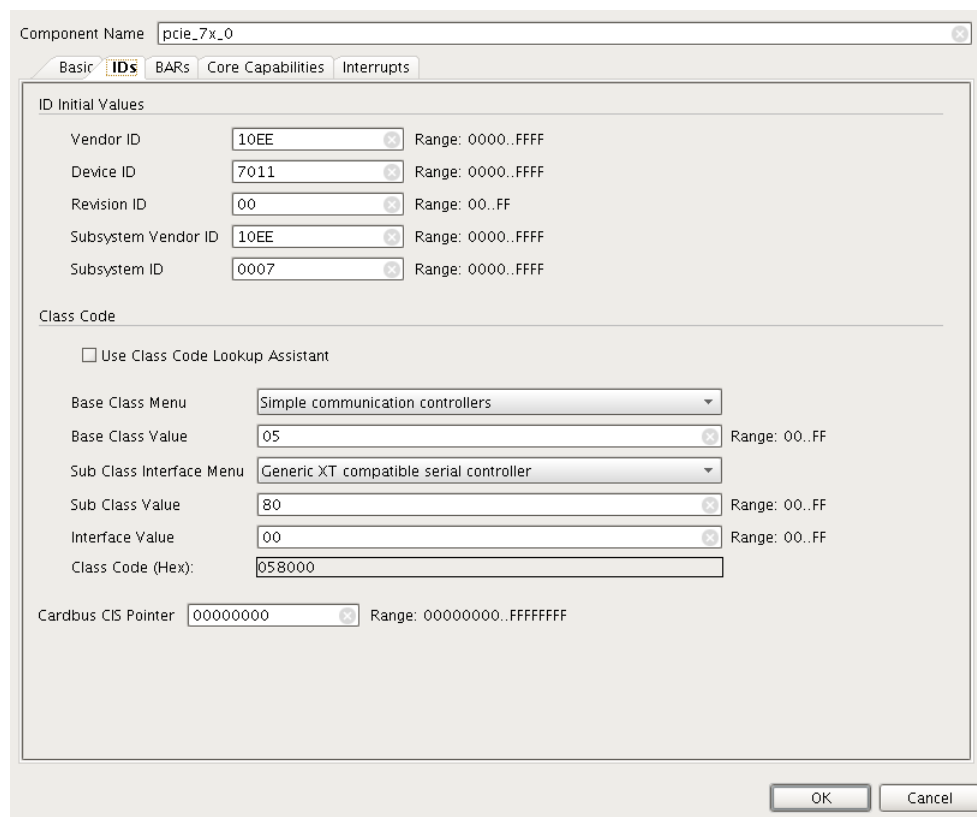


Figure 4-2: Identifier Parameters

ID Initial Values

- **Vendor ID:** Identifies the manufacturer of the device or application. Valid identifiers are assigned by the PCI Special Interest Group to guarantee that each identifier is unique. The default value, 10EEh, is the Vendor ID for Xilinx. Enter a vendor identification number here. FFFFh is reserved.
- **Device ID:** A unique identifier for the application; the default value, which depends on the configuration selected, is 70<link speed> <link width>h. This field can be any value; change this value for the application.
- **Revision ID:** Indicates the revision of the device or application; an extension of the Device ID. The default value is 00h; enter values appropriate for the application.
- **Subsystem Vendor ID:** Further qualifies the manufacturer of the device or application. Enter a Subsystem Vendor ID here; the default value is 10EE. Typically, this value is the same as Vendor ID. Setting the value to 0000h can cause compliance testing issues.
- **Subsystem ID:** Further qualifies the manufacturer of the device or application. This value is typically the same as the Device ID; the default value depends on the lane width and link speed selected. Setting the value to 0000h can cause compliance testing issues.

Class Code

The Class Code identifies the general function of a device, and is divided into three byte-size fields:

- **Base Class:** Broadly identifies the type of function performed by the device.
- **Sub-Class:** More specifically identifies the device function.
- **Interface:** Defines a specific register-level programming interface, if any, allowing device-independent software to interface with the device.

Class code encoding can be found at www.pcisig.com.

Class Code Look-up Assistant

The Class Code Look-up Assistant provides the Base Class, Sub-Class and Interface values for a selected general function of a device. This Look-up Assistant tool only displays the three values for a selected function. You must enter the values in [Class Code](#) for these values to be translated into device settings.

Cardbus CIS Pointer

Used in cardbus systems and points to the Card Information Structure for the cardbus card. If this field is non-zero, an appropriate Card Information Structure must exist in the correct location. The default value is 0000_0000h; the value range is 0000_0000h-FFFF_FFFFh.

Base Address Registers (BARs)

The Base Address Register (BAR) page shown in [Figure 4-3](#) sets the base address register space for the Endpoint configuration. Each BAR (0 through 5) represents a 32-bit parameter.

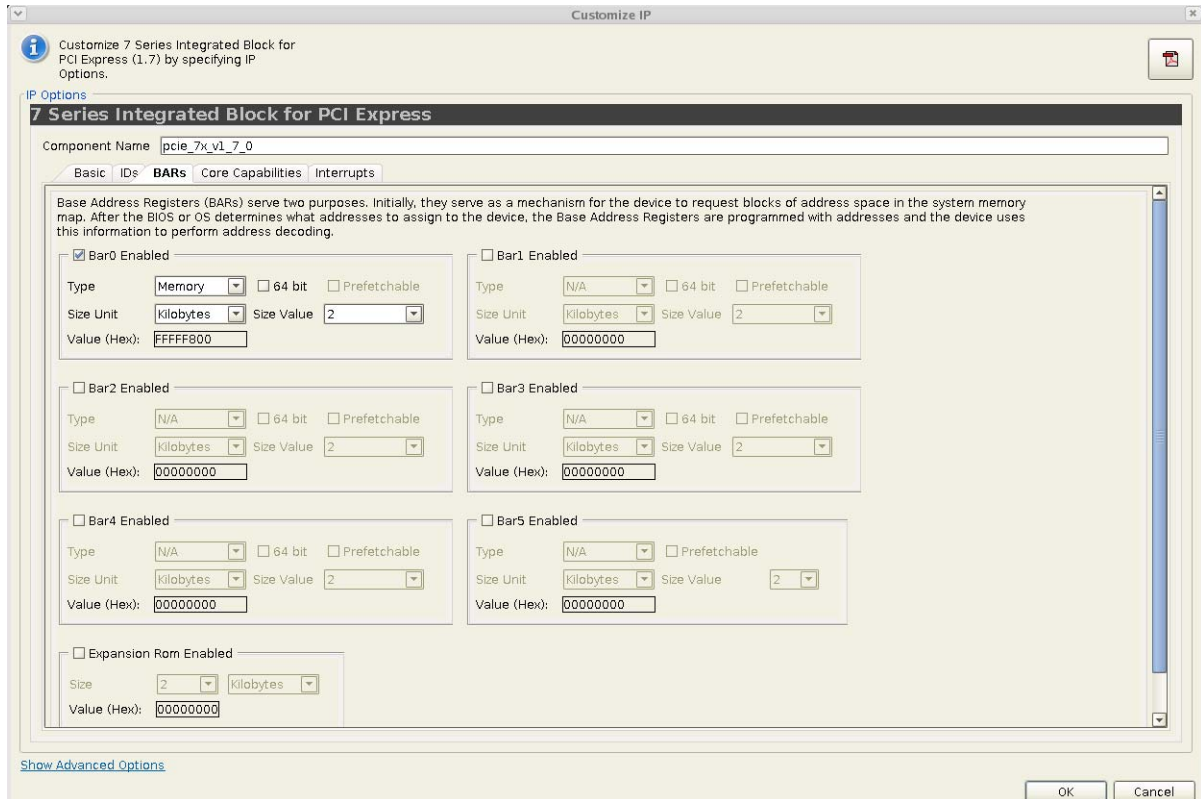


Figure 4-3: BAR Parameters

Base Address Register Overview

The 7 Series FPGAs Integrated Block for PCI Express in Endpoint configuration supports up to six 32-bit BARs or three 64-bit BARs, and the Expansion ROM BAR. The 7 Series FPGAs Integrated Block for PCI Express in Root Port configuration supports up to two 32-bit BARs or one 64-bit BAR, and the Expansion ROM BAR.

BARs can be one of two sizes:

- **32-bit BARs:** The address space can be as small as 128 bytes or as large as 2 gigabytes. Used for Memory to I/O.
- **64-bit BARs:** The address space can be as small as 128 bytes or as large as 8 exabytes. Used for Memory only.

All BAR registers share these options:

- **Checkbox:** Click the checkbox to enable the BAR; deselect the checkbox to disable the BAR.
- **Type:** BARs can either be I/O or Memory.
 - *I/O:* I/O BARs can only be 32-bit; the Prefetchable option does not apply to I/O BARs. I/O BARs are only enabled for the Legacy PCI Express Endpoint core.
 - *Memory:* Memory BARs can be either 64-bit or 32-bit and can be prefetchable. When a BAR is set as 64 bits, it uses the next BAR for the extended address space and makes the next BAR inaccessible to you.
- **Size:** The available Size range depends on the PCIe® Device/Port Type and the Type of BAR selected. [Table 4-5](#) lists the available BAR size ranges.

Table 4-5: BAR Size Ranges for Device Configuration

PCIe Device / Port Type	BAR Type	BAR Size Range
PCI Express Endpoint	32-bit Memory	128 Bytes – 2 Gigabytes
	64-bit Memory	128 Bytes – 8 Exabytes
Legacy PCI Express Endpoint	32-bit Memory	16 Bytes – 2 Gigabytes
	64-bit Memory	16 Bytes – 8 Exabytes
	I/O	16 Bytes – 2 Gigabytes

- **Prefetchable:** Identifies the ability of the memory space to be prefetched.
- **Value:** The value assigned to the BAR based on the current selections.

For more information about managing the Base Address Register settings, see [Managing Base Address Register Settings](#).

Expansion ROM Base Address Register

If selected, the Expansion ROM is activated and can be a value from 2 KB to 4 GB. According to the *PCI 3.0 Local Bus Specification [Ref 2]*, the maximum size for the Expansion ROM BAR should be no larger than 16 MB. Selecting an address space larger than 16 MB might result in a non-compliant core.

Managing Base Address Register Settings

Memory, I/O, Type, and Prefetchable settings are handled by setting the appropriate settings for the desired base address register.

Memory or I/O settings indicate whether the address space is defined as memory or I/O. The base address register only responds to commands that access the specified address space. Generally, memory spaces less than 4 KB in size should be avoided. The minimum I/O space allowed is 16 bytes; use of I/O space should be avoided in all new designs.

Prefetchability is the ability of memory space to be prefetched. A memory space is prefetchable if there are no side effects on reads (that is, data is not destroyed by reading, as from a RAM). Byte write operations can be merged into a single double word write, when applicable.

When configuring the core as an Endpoint for PCIe (non-Legacy), 64-bit addressing must be supported for all BARs (except BAR5) that have the prefetchable bit set. 32-bit addressing is permitted for all BARs that do not have the prefetchable bit set. The prefetchable bit related requirement does not apply to a Legacy Endpoint. The minimum memory address range supported by a BAR is 128 bytes for a PCI Express Endpoint and 16 bytes for a Legacy PCI Express Endpoint.

Disabling Unused Resources

For best results, disable unused base address registers to conserve system resources. A base address register is disabled when unused BARs are deselected.

Core Capabilities

The Core Capabilities parameters shown in Figure 4-4 is used to customize the IP initial values, class code, and Cardbus CIS pointer information.

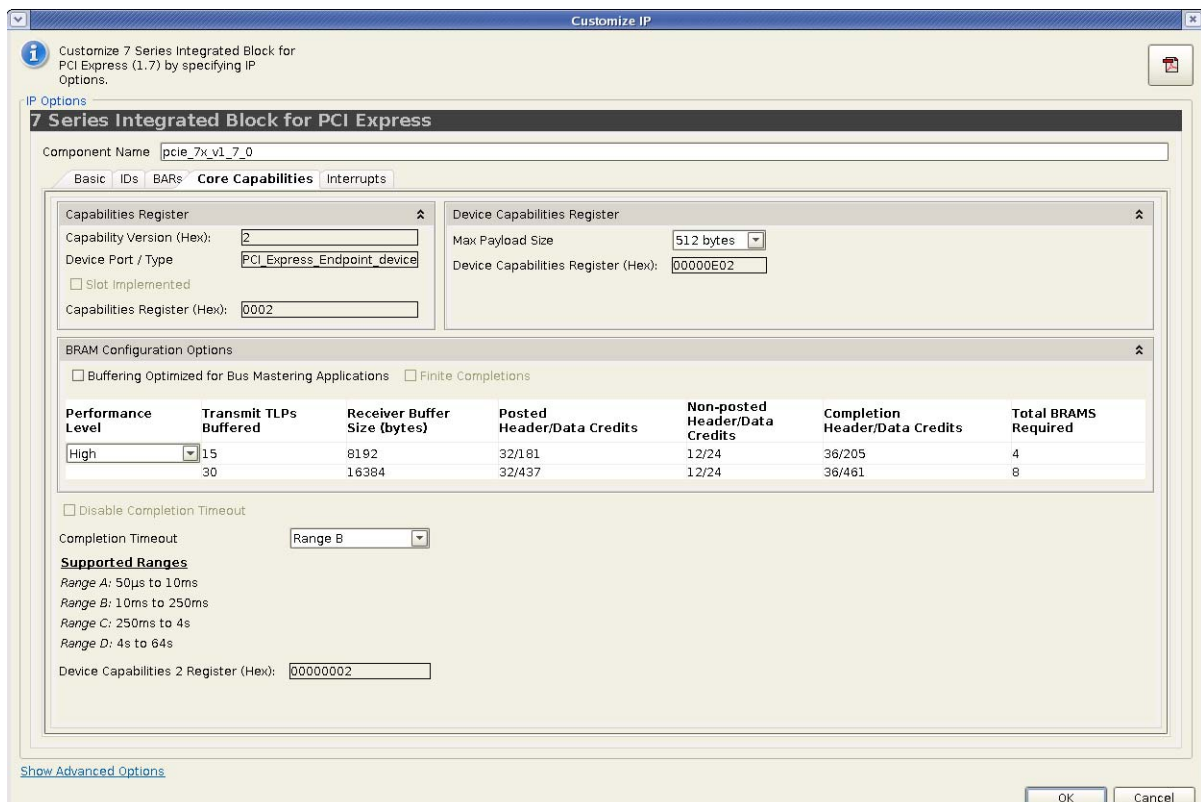


Figure 4-4: Core Capabilities Parameters

Capabilities Register

- **Capability Version:** Indicates the PCI-SIG® defined PCI Express capability structure version number; this value cannot be changed.
- **Device Port Type:** Indicates the PCI Express logical device type.
- **Slot Implemented:** Indicates the PCI Express Link associated with this port is connected to a slot. Only valid for a Root Port of a PCI Express Root Complex or a Downstream Port of a PCI Express Switch.
- **Capabilities Register:** Displays the value of the Capabilities register presented by the integrated block, and is not editable.

Device Capabilities Register

- **Max Payload Size:** Indicates the maximum payload size that the device/function can support for transaction layer packets (TLPs).
- **Device Capabilities Register:** Displays the value of the Device Capabilities register presented by the integrated block and is not editable.

Block RAM Configuration Options

- **Buffering Optimized for Bus Mastering Applications:** Causes the device to advertise to its Link Partner credit settings that are optimized for Bus Mastering applications.
- **Performance Level:** Selects the Performance Level settings, which determines the Receiver and Transmitter Sizes. The table displayed specifies the Receiver and Transmitter settings - number of TLPs buffered in the Transmitter, the Receiver Size, the Credits advertised by the Core to the Link Partner and the Number of Block RAMs required for the configuration, corresponding to the Max Payload Size selected, for each of the Performance Level options.
- **Finite Completions:** If selected, causes the device to advertise to the Link Partner the actual amount of space available for Completions in the Receiver. For an Endpoint, this is not compliant to the *PCI Express Base Specification, rev. 2.1*, as Endpoints are required to advertise an infinite amount of completion space.

Device Capabilities 2 Register

This section sets the Device Capabilities 2 register.

- **Completion Timeout Disable Supported:** Indicates support for Completion Timeout Disable mechanism
- **Completion Timeout Ranges Supported:** Indicates Device Function support for the optional Completion Timeout mechanism.



RECOMMENDED: *Do not let the Completion Timeout mechanism expire in less than 10 ms.*

- **Device Capabilities2 Register:** Displays the value of the Device Capabilities2 Register sent to the Core and is not editable.

Interrupts

The Interrupt parameters in [Figure 4-5](#) sets the Legacy Interrupt Settings, and MSI Capabilities.

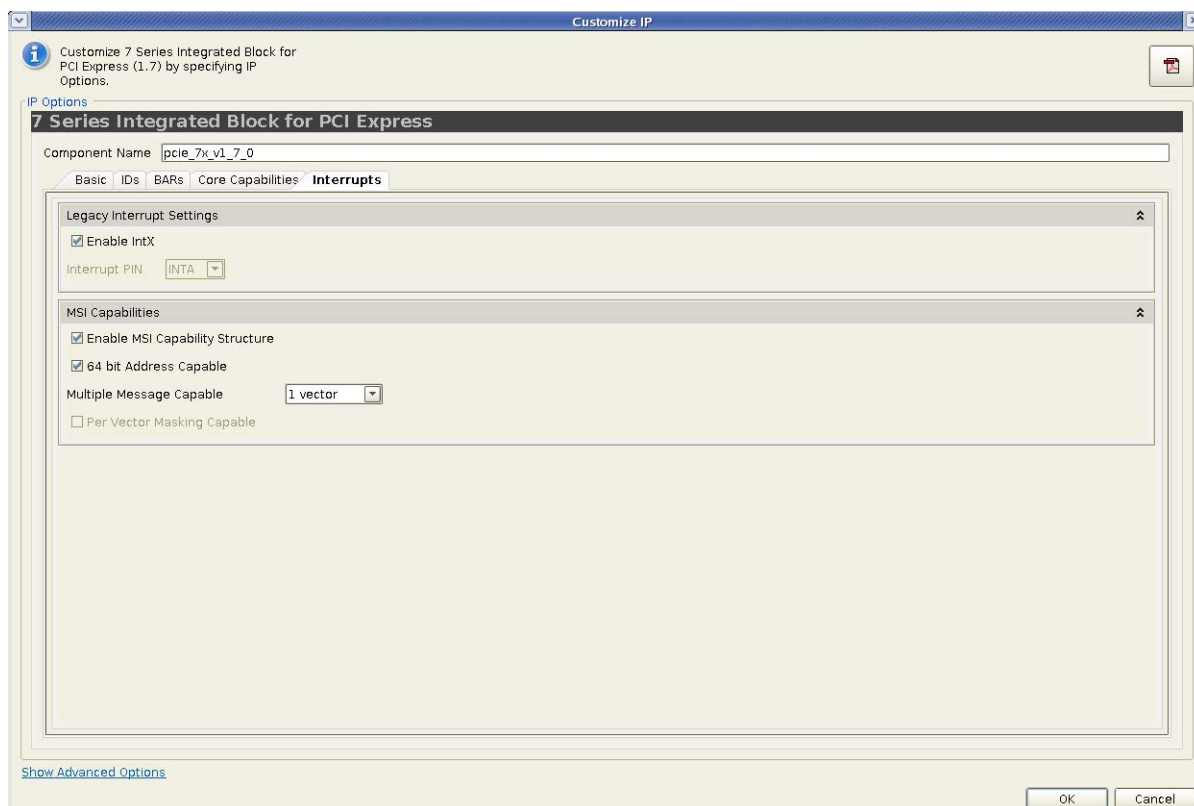


Figure 4-5: Interrupts Capabilities

Legacy Interrupt Settings

- **Enable INTX:** Enables the ability of the PCI Express function to generate INTx interrupts.
- **Interrupt PIN:** Indicates the mapping for Legacy Interrupt messages. A setting of “None” indicates no Legacy Interrupts are used.

Note: Only INT A is supported.

MSI Capabilities

- **Enable MSI Capability Structure:** Indicates that the MSI Capability structure exists.
- **64 bit Address Capable:** Indicates that the function is capable of sending a 64-bit Message Address.

- **Multiple Message Capable:** Selects the number of MSI vectors to request from the Root Complex.
- **Per Vector Masking Capable:** Indicates that the function supports MSI per-vector Masking.

Advanced Mode

The Advanced mode parameters are explained in this section.

Basic

The Basic parameters for Advanced mode, shown in [Figure 4-6](#), is same as those for Base mode with the addition of the PCIe DRP Ports parameter. For a description of the Base mode parameters, see [Basic, page 205](#).

- **PCIe DRP Ports:** Checking this box enables the generation of DRP ports for the PCIe Hard Block, giving you dynamic control over the PCIe Hard Block attributes. This setting can be used to perform advanced debugging. Any modifications to the PCIe default attributes must be made only if directed by Xilinx Technical Support (see [Contacting Xilinx Technical Support, page 330](#)).

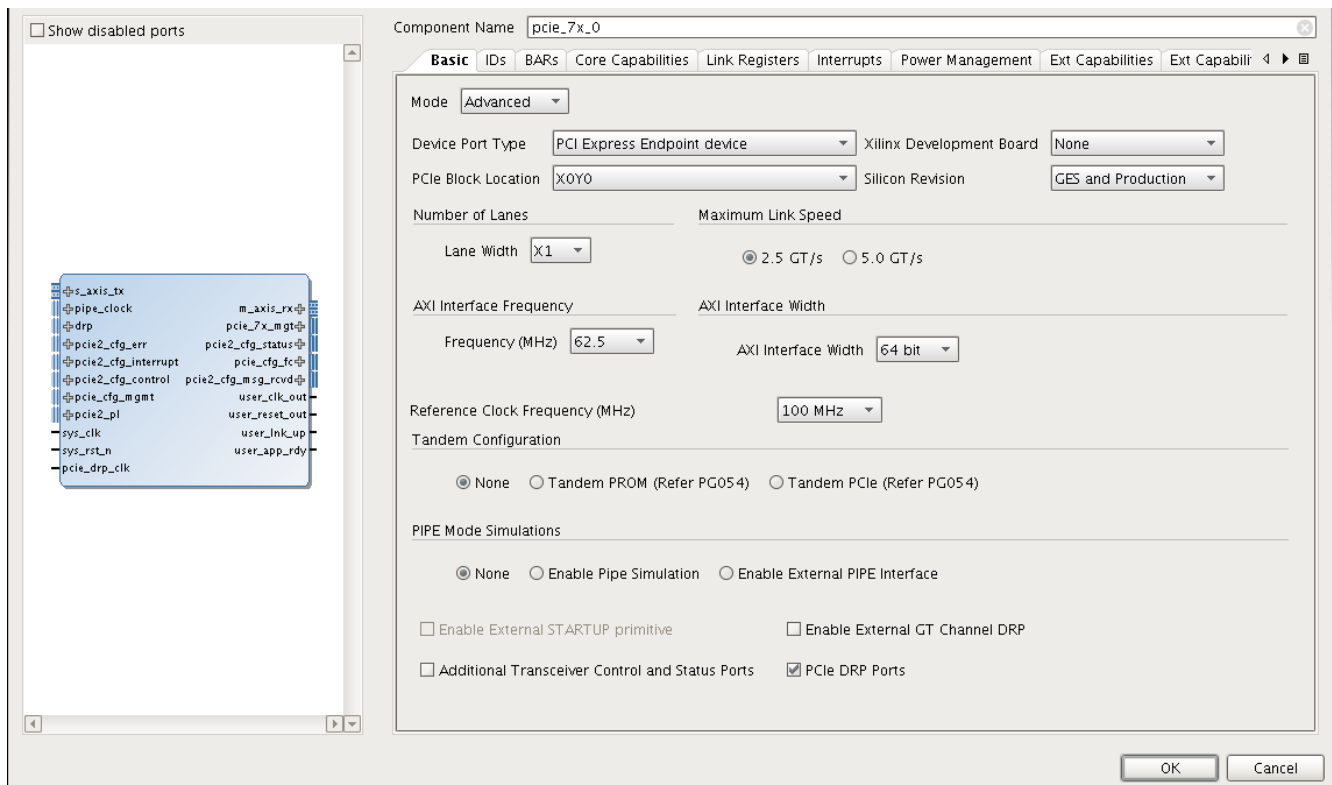


Figure 4-6: Basic Parameters (Advanced mode)

Identifiers (IDs)

The parameters for Advanced mode are the same as those for Basic mode. See [Identifiers \(IDs\)](#), page 209.

Base Address Registers (BARs)

The parameters for Advanced mode are the same as those for Basic mode. See [Base Address Registers \(BARs\)](#), page 211.

Core Capabilities

The Core Capabilities parameters in Advanced mode, shown in [Figure 4-7](#), are same as those in Basic mode, with the addition of the following parameters. For a description of the Basic mode parameters, see [Core Capabilities](#), page 217.

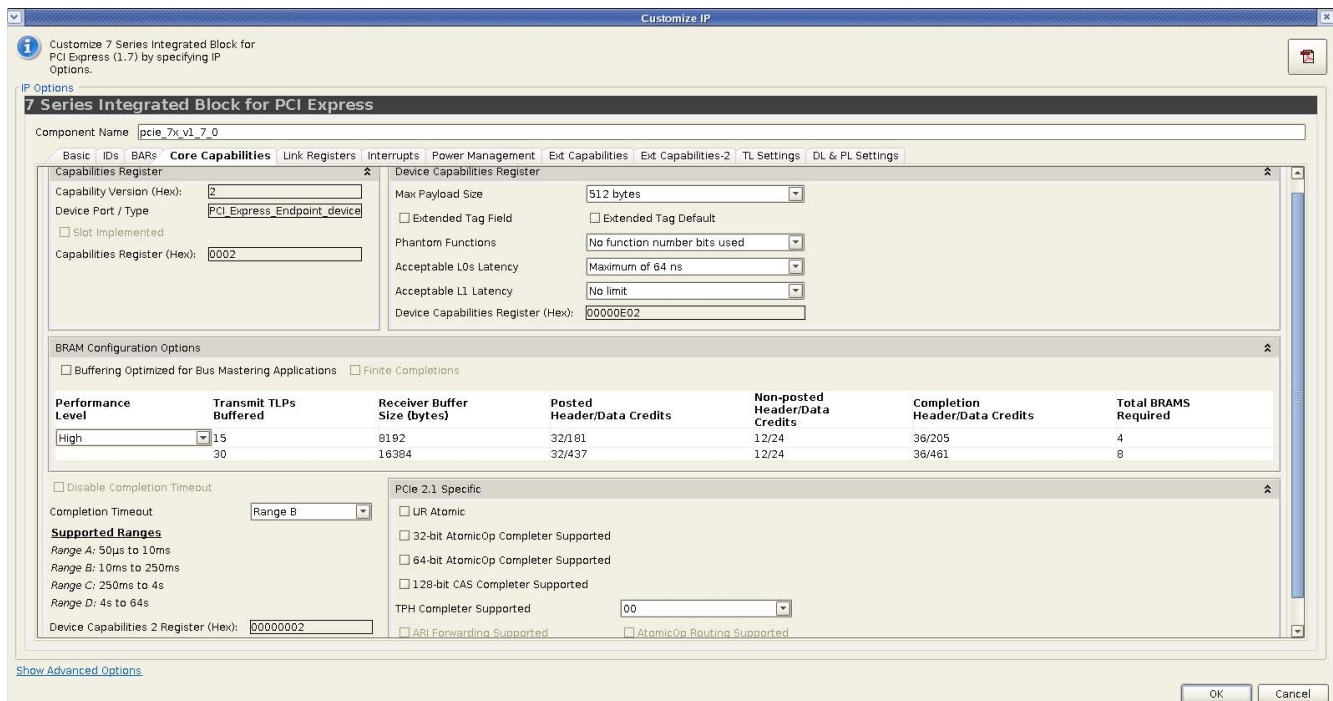


Figure 4-7: Core Capabilities (Advanced Mode)

Device Capabilities Register

- Extended Tag Field:** Indicates the maximum supported size of the Tag field as a Requester. When selected, indicates 8-bit Tag field support. When deselected, indicates 5-bit Tag field support.
- Extended Tag Default:** When this field is checked, indicates the default value of bit 8 of the Device Control register is set to 1 to support the Extended Tag Enable Default ECN.

- **Phantom Functions:** Indicates the support for use of unclaimed function numbers to extend the number of outstanding transactions allowed by logically combining unclaimed function numbers (called Phantom Functions) with the Tag identifier. See Section 2.2.6.2 of the *PCI Express Base Specification, rev. 2.1* [Ref 2] for a description of Tag Extensions. This field indicates the number of most significant bits of the function number portion of Requester ID that are logically combined with the Tag identifier.
- **Acceptable L0s Latency:** Indicates the acceptable total latency that an Endpoint can withstand due to the transition from L0s state to the L0 state.
- **Acceptable L1 Latency:** Indicates the acceptable latency that an Endpoint can withstand due to the transition from L1 state to the L0 state.

Device Capabilities Register

- **UR Atomic:** If checked, the core automatically responds to Atomic Operation requests with an Unsupported Request. If unchecked, the core passes Atomic Operations TLPs to the user.
- **32-bit AtomicOp Completer Support:** Indicates 32-bit AtomicOp Completer support.
- **64-bit AtomicOp Completer Support:** Indicates 64-bit AtomicOp Completer support.
- **128-bit CAS Completer Support:** Indicates 128-bit Compare And Swap completer support.
- **TPH Completer Supported:** Indicates the level of support for TPH completer.

Link Registers

The Link Registers page is available only when in Advanced mode.

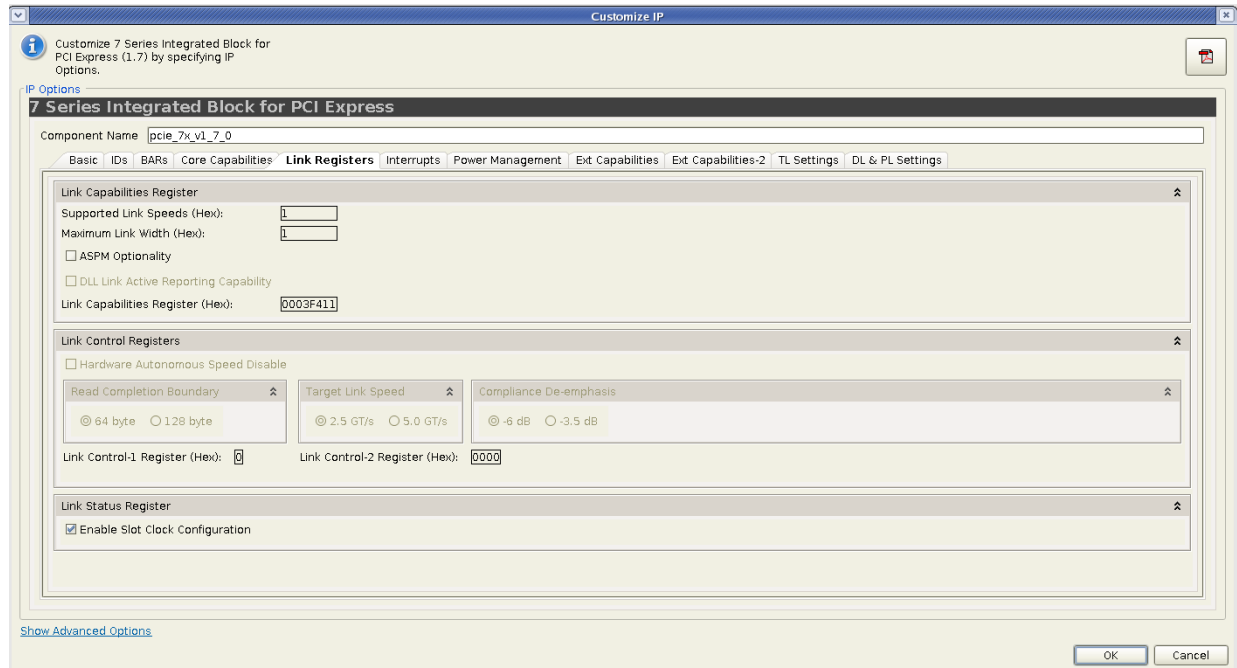


Figure 4-8: Link Registers (Advanced Mode)

Link Capabilities Register

This section sets the Link Capabilities register.

- **Supported Link Speed:** Indicates the supported link speed of the given PCI Express Link. This value is set to the **Link Speed** specified in the **Basic** tab and is not editable.
- **Maximum Link Width:** This value is set to the initial lane width specified in the **Basic** tab and is not editable.
- **ASPM Optionality:** When checked, this field enables ASPM optionally.
- **DLL Link Active Reporting Capability:** Indicates the optional Capability of reporting the DL_Active state of the Data Link Control and Management State Machine.
- **Link Capabilities Register:** Displays the value of the Link Capabilities register sent to the core and is not editable.

Link Control Register

- **Hardware Autonomous Speed Disable:** When checked, this field disables the hardware from changing the link speed for device specific reasons other than attempting to correct unreliable link operation by reducing link speed.
- **Read Completion Boundary:** Indicates the Read Completion Boundary for the Root Port.

- **Target Link Speed:** Sets an upper limit on the link operational speed. This is used to set the target Compliance Mode speed. The value is set to the supported link speed and can be edited only if the link speed is set to 5.0 Gb/s.
- **Compliance De-emphasis:** Sets the level of de-emphasis for an Upstream component, when the Link is operating at 5.0 Gb/s. This feature is not editable.
- **Link Control Register 1:** Displays the value of the Link Control Register sent to the core and is not editable.
- **Link Control Register 2:** Displays the value of the Link Control 2 Register sent to the core and is not editable.

Link Status Register

- **Enable Slot Clock Configuration:** Indicates that the Endpoint uses the platform-provided physical reference clock available on the connector. Must be cleared if the Endpoint uses an independent reference clock.

Configuration Register (Only in Root Port Configuration)

The Configuration Register pages is available only when Root Port configuration is selected, and when in Advanced mode.

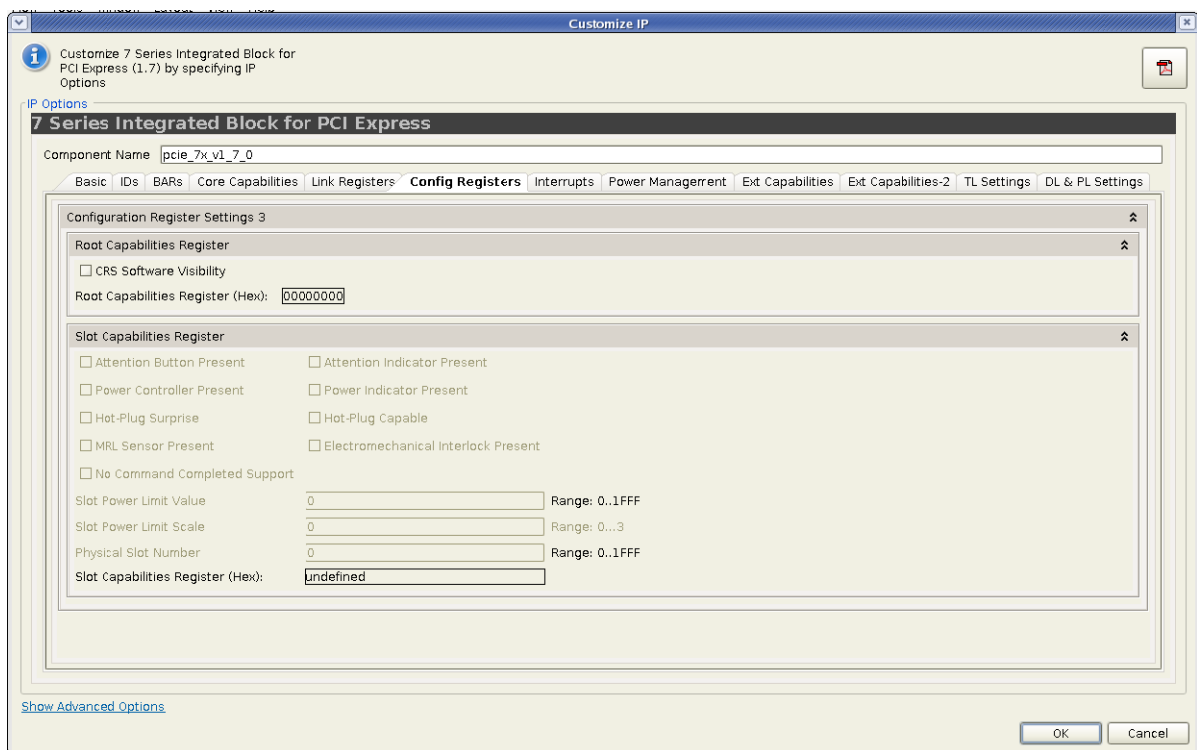


Figure 4-9: Config Register



IMPORTANT: *These settings are valid for Root Port configurations only.*

Root Capabilities Register

- **CRS Software Visibility:** Indicates the Root Port capability of returning the CRs to software. When set, indicates that the Root Port can return the Configuration Request Retry Status (CRS) completion status to software.
- **Root Capabilities Register:** Specifies the Root Capabilities Register of the device.

Slot Control Capabilities Register

- **Attention Button Present:** Indicates the Attention Button is implemented. When set, indicates that an Attention Button for this slot is implemented on the chassis. This option is disabled when "Device_Port_Type" is not "Root Port of PCI Express Root Complex." This is enabled only when the Slot Implemented parameter in the Core Capabilities tab is selected (see [Figure 4-4](#)).
- **Attention Indicator Present:** Indicates the Attention Indicator is implemented. When set, indicates that an Attention Indicator for this slot is implemented on the chassis. This option is disabled when "Device_Port_Type" is not "Root Port of PCI Express Root Complex." This is enabled only when the Slot Implemented parameter in the Core Capabilities tab is selected (see [Figure 4-4](#)).
- **Power Controller Present:** Indicates the Power Controller is implemented. When set, indicates that a software programmable Power Controller is implemented for this slot. This option is disabled when "Device_Port_Type" is not "Root Port of PCI Express Root Complex." This is enabled only when the Slot Implemented parameter in the Core Capabilities tab is selected (see [Figure 4-4](#)).
- **Power Indicator Present:** Indicates the Power Indicator is implemented. When set, indicates that a Power Indicator is implemented on the chassis for this slot. This option is disabled when "Device_Port_Type" is not "Root Port of PCI Express Root Complex." This is enabled only when the Slot Implemented parameter in the Core Capabilities tab is selected (see [Figure 4-4](#)).
- **Hot-Plug Surprise:** When set, indicates that an adapter in this slot might be removed from the system without any prior notification. This option is disabled when "Device_Port_Type" is not "Root Port of PCI Express Root Complex." This is enabled only when the Slot Implemented parameter in the Core Capabilities tab is selected (see [Figure 4-4](#)).
- **Hot-Plug Capable:** When set, indicates that this slot is capable of supporting hot-plug operations. This option is disabled when "Device_Port_Type" is not "Root Port of PCI Express Root Complex." This is enabled only when the Slot Implemented parameter in the Core Capabilities tab is selected (see [Figure 4-4](#)).
- **MRL Sensor Present:** Indicates MRL Sensor implemented. When Set, indicates that an MRL (Manually operated Retention Latch) sensor is implemented for this slot, on the chassis. This option is disabled when "Device_Port_Type" is not "Root Port of PCI

Express Root Complex.” This is enabled only when the Slot Implemented parameter in the Core Capabilities tab is selected (see [Figure 4-4](#)).

- **Electromechanical Interlock Present:** When set, indicates that an Electromechanical Interlock is implemented on the chassis for this slot. This option is disabled when "Device_Port_Type" is not "Root Port of PCI Express Root Complex." This is enabled only when the Slot Implemented parameter in the Core Capabilities tab is selected (see [Figure 4-4](#)).
- **No Command Completed Support:** When set, indicates that the slot does not generate software notification when an issue command is completed by the Hot-Plug Controller. This option is disabled when "Device_Port_Type" is not "Root Port of PCI Express Root Complex." This is enabled only when the Slot Implemented parameter in the Core Capabilities tab is selected (see [Figure 4-4](#)).
- **Slot Power Limit Value:** Specifies the Upper Limit on power supplied to the slot, in combination with Slot Power Limit Scale value. This option is disabled when "Device_Port_Type" is not "Root Port of PCI Express Root Complex." This is enabled only when the Slot Implemented parameter in the Core Capabilities tab is selected (see [Figure 4-4](#)).
- **Slot Power Limit Scale:** Specifies the scale used for the Slot Power Limit value. This option is disabled when "Device_Port_Type" is not "Root Port of PCI Express Root Complex." This is enabled only when the Slot Implemented parameter in the Core Capabilities tab is selected (see [Figure 4-4](#)).
- **Physical Slot Number:** Specifies the Physical Slot Number attached to this port. This field must be hardware initialized to a value that assigns a slot number that is unique within the chassis, regardless of form factor associated with the slot. This option is disabled when "Device_Port_Type" is not "Root Port of PCI Express Root Complex." This is enabled only when the Slot Implemented parameter in the Core Capabilities tab is selected (see [Figure 4-4](#)).
- **Slot Capabilities Register.** Specifies the Slot Capabilities Register of the device.

Interrupts

The Interrupts parameters in Advanced mode are the same as those in Basic mode, with the addition of MSIx Capabilities. For a description of the Basic mode parameters, see [Interrupts, page 215](#).

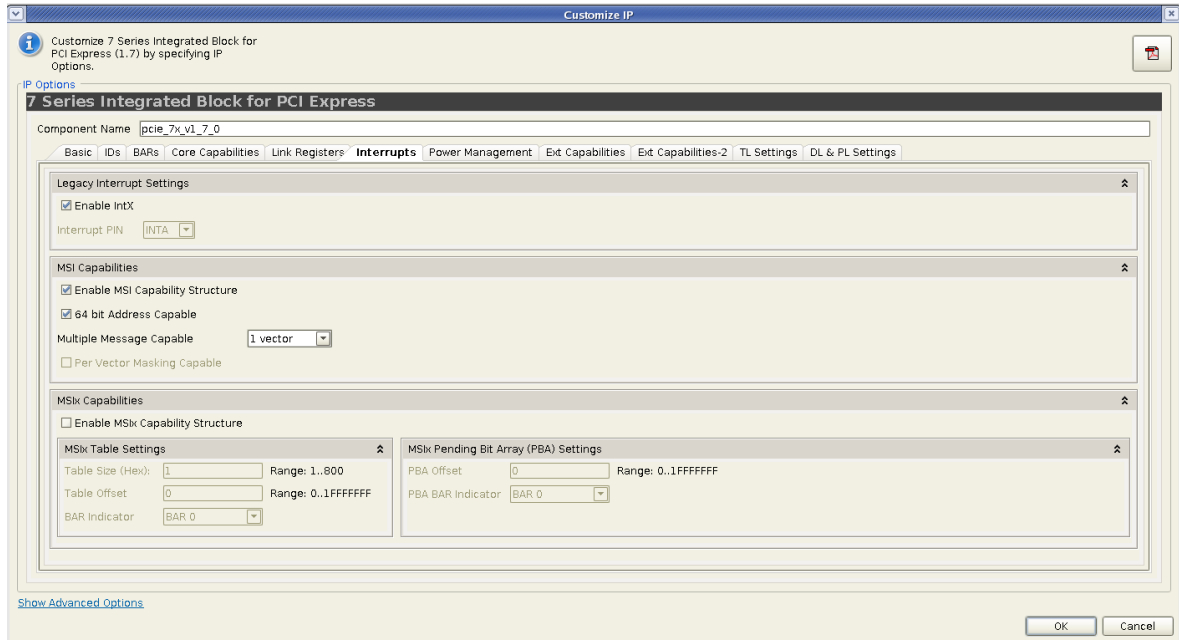


Figure 4-10: Interrupts Parameters (Advanced Mode)

MSI-X Capabilities

- **Enable MSIx Capability Structure:** Indicates that the MSI-X Capability structure exists.
 - Note:** This Capability Structure needs at least one Memory BAR to be configured.
- **MSIx Table Settings:** Defines the MSI-X Table Structure.
 - *Table Size:* Specifies the MSI-X Table Size.
 - *Table Offset:* Specifies the Offset from the Base Address Register that points to the Base of the MSI-X Table.
 - *BAR Indicator:* Indicates the Base Address Register in the Configuration Space that is used to map the functions MSI-X Table, onto Memory Space. For a 64-bit Base Address Register, this indicates the lower DWORD.
- **MSIx Pending Bit Array (PBA) Settings:** Defines the MSI-X Pending Bit Array (PBA) Structure.
 - *PBA Offset:* Specifies the Offset from the Base Address Register that points to the Base of the MSI-X PBA.
 - *PBA BAR Indicator:* Indicates the Base Address Register in the Configuration Space that is used to map the function MSI-X PBA onto Memory Space.

Power Management

The Power Management Registers page shown in [Figure 4-11](#) includes settings for the Power Management Registers, power consumption and power dissipation options.

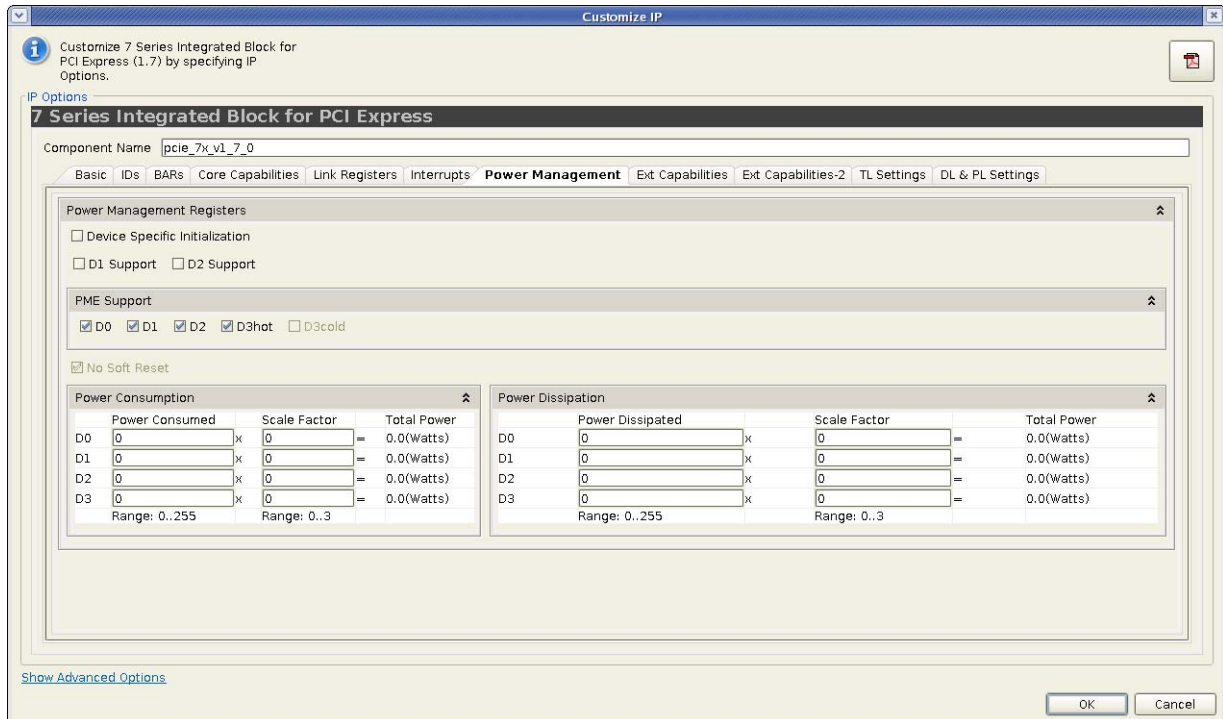


Figure 4-11: Power Management Registers

- Device Specific Initialization:** This bit indicates whether special initialization of this function is required (beyond the standard PCI configuration header) before the generic class device driver is able to use it. When selected, this option indicates that the function requires a device specific initialization sequence following transition to the D0 uninitialized state. See section 3.2.3 of the *PCI Bus Power Management Interface Specification Revision 1.2* [Ref 2].
- D1 Support:** When selected, this option indicates that the function supports the D1 Power Management State. See section 3.2.3 of the *PCI Bus Power Management Interface Specification Revision 1.2*.
- D2 Support:** When selected, this option indicates that the function supports the D2 Power Management State. See section 3.2.3 of the *PCI Bus Power Management Interface Specification Revision 1.2*.
- PME Support From:** When this option is selected, it indicates the power states in which the function can assert `cfg_pm_wake`. See section 3.2.3 of the *PCI Bus Power Management Interface Specification Revision 1.2*.
- No Soft Reset:** Checking this box indicates that if the device transitions from D3hot to D0 because of a Power State Command, it does not perform an internal reset and Configuration context is preserved. Disabling this option is not supported.

Power Consumption

The 7 Series FPGAs Integrated Block for PCI Express always reports a power budget of 0W. For information about power consumption, see section 3.2.6 of the *PCI Bus Power Management Interface Specification Revision 1.2*.

Power Dissipated

The 7 Series FPGAs Integrated Block for PCI Express always reports a power dissipation of 0W. For information about power dissipation, see section 3.2.6 of the *PCI Bus Power Management Interface Specification Revision 1.2*.

Extended Capabilities

The PCIe Extended Capabilities page shown in [Figure 4-12](#) is available in Advanced mode only, and includes settings for Device Serial Number Capability, Virtual Channel Capability, Vendor Specific Capability, and optional user-defined Configuration capabilities.

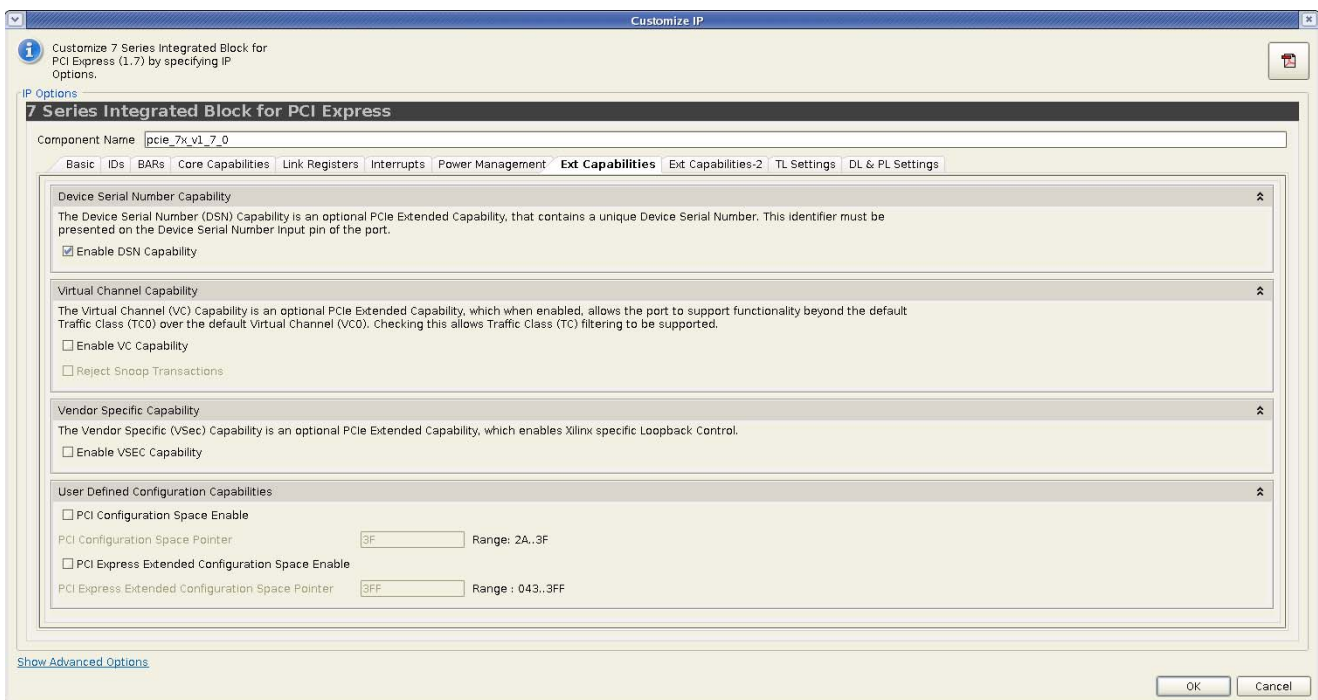


Figure 4-12: PCIe Extended Capabilities

Device Serial Number Capability

- **Device Serial Number Capability:** An optional PCIe Extended Capability containing a unique Device Serial Number. When this Capability is enabled, the DSN identifier must be presented on the Device Serial Number input pin of the port. This Capability must be turned on to enable the Virtual Channel and Vendor Specific Capabilities.

Virtual Channel Capability

- **Virtual Channel Capability:** An optional PCIe Extended Capability which allows the user application to be operated in TCn/VC0 mode. Checking this allows Traffic Class filtering to be supported.
- **Reject Snoop Transactions (Root Port Configuration Only):** When enabled, any transactions for which the No Snoop attribute is applicable, but is not set in the TLP header, can be rejected as an Unsupported Request.

Vendor Specific Capability

- **Vendor Specific Capability:** An optional PCIe Extended Capability that allows PCI Express component vendors to expose Vendor Specific Registers. When checked, enables Xilinx specific Loopback Control.

User-Defined Configuration Capabilities: Endpoint Configuration Only

- **PCI Configuration Space Enable:** Allows the user application to add/implement PCI Legacy capability registers. This option should be selected if the user application implements a legacy capability configuration space. This option enables the routing of Configuration Requests to addresses outside the built-in PCI-Compatible Configuration Space address range to the AXI4-Stream interface.
- **PCI Configuration Space Pointer:** Sets the starting Dword aligned address of the user-definable PCI Compatible Configuration Space. The available DWORD address range is 2Ah - 3Fh.
- **PCI Express Extended Configuration Space Enable:** Allows the user application to add/implement PCI Express Extended capability registers. This option should be selected if the user application implements such an extended capability configuration space. This enables the routing of Configuration Requests to addresses outside the built-in PCI Express Extended Configuration Space address range to the user application.
- **PCI Configuration Space Pointer:** Sets the starting DWORD aligned address of the PCI Express Extended Configuration Space implemented by the user application. This action enables routing of Configuration Requests with DWORD addresses greater than or equal to the value set in the user application. The available address range depends on the PCIe Extended Capabilities selected. For more information, see [Chapter 3, Designing with the Core](#).

Extended Capabilities 2

The Extended Capabilities 2 page is available only when in Advanced mode.

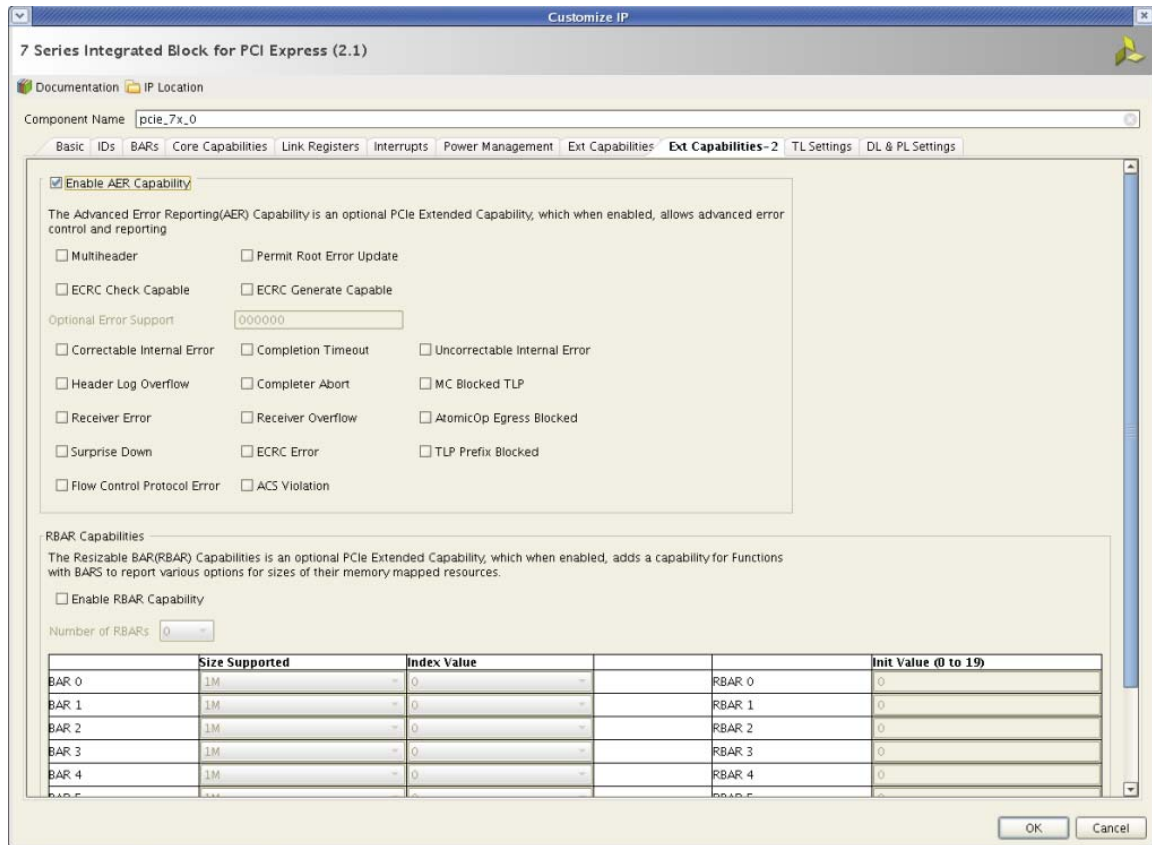


Figure 4-13: PCIe Extended Capabilities: AER Capability

AER Capability

- **Enable AER Capability:** An optional PCIe Extended Capability that allows Advanced Error Reporting.
- **Multiheader:** Indicates support for multiple-header buffering for the AER header log field. (Not supported for the 7 Series FPGAs Integrated Block for PCI Express.)
- **Permit Root Error Update:** If TRUE, permits the AER Root Status and Error Source ID registers to be updated. If FALSE, these registers are forced to 0.
- **ECRC Check Capable:** Indicates the core can check ECRC.
- **Optional Error Support:** Indicates which option error conditions in the Uncorrectable and Correctable Error Mask/Severity registers are supported. If an error box is unchecked, the corresponding bit in the Mask/Severity register is hardwired to 0.

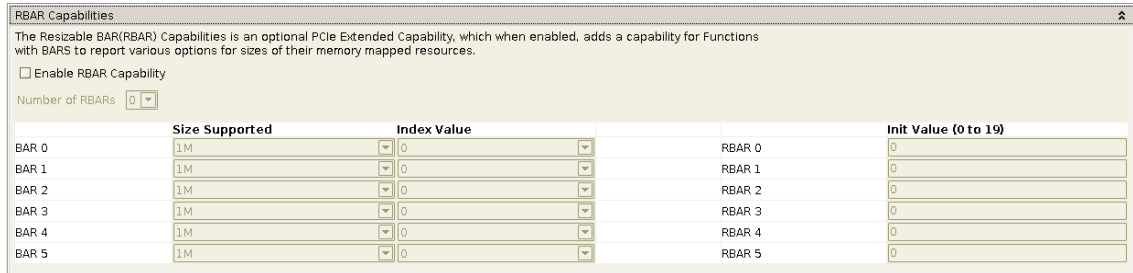


Figure 4-14: PCIe Extended Capabilities: RBAR Capabilities

RBAR Capabilities

- **Enable RBAR Capability:** An optional PCIe Extended Capability that allows Resizable BARs.
- **Number of RBARs:** Number of resizeable BARs in the Cap Structure, which depends on the number of BARs enabled.
- **BARn Size Supported:** RBAR Size Supported vector for RBAR Capability Register (0 through 5)
- **BARn Index Value:** Sets the index of the resizeable BAR from among the enabled BARs
- **RBARn Init Value:** RBAR Initial Value for the RBAR Control BAR Size field.

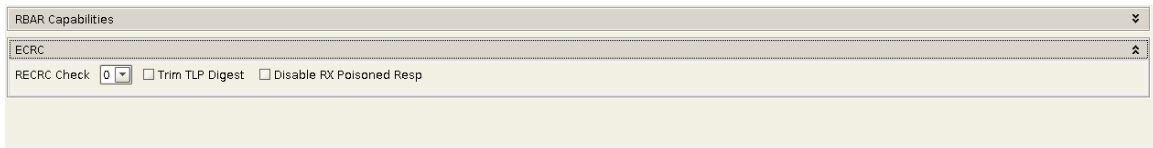


Figure 4-15: PCIe Extended Capabilities: ECRC

ECRC

- **Receive ECRC Check:** Enables ECRC checking of received TLPs.
 - 0 = Do not check
 - 1 = Always check
 - 3 = Check if enabled by the ECRC check enable bit of the AER Capability Structure
- **Trim TLP Digest:** Enables TD bit clear and ECRC trim on received TLPs.
- **Disable RX Poisoned Resp:** Disables the core from sending a message and setting status bits due to receiving a Poisoned TLP. The behavior of the core when the Disable RX poisoned Resp is checked is as follows.
 - When Advisory Non-Fatal Error Mask: 1 (default). When the core Receives a poisoned CfgWr, it sets Parity Error and sends completion with UR. When it receives poisoned MemWr, it sets the Parity error and no TLP is sent.

- Advisory Non-Fatal Error Mask: 0. When DISABLE_RX_POISONED_RESP is set to FALSE and a poisoned MemWr is received, the core sends an error message automatically. When DISABLE_RX_POISONED_RESP is set to TRUE and a poisoned MemWr is received, an error message is not transmitted. When you assert `cfg_err_poisoned`, the core sends the error message.

TL Settings

The Transaction Layer (TL) Settings page is available only when in Advanced mode.

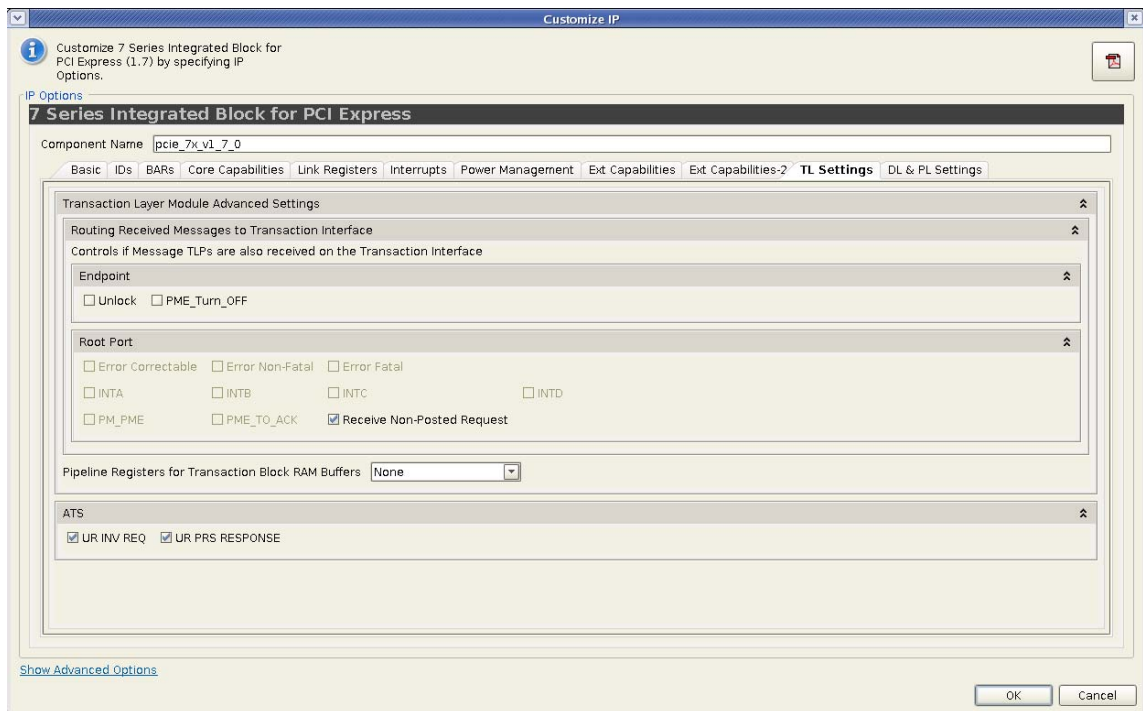


Figure 4-16: TL Settings

Transaction Layer Module

- **Enable Message Routing:** Controls if message TLPs are also received on the AXI4-Stream interface.
- **Endpoint:**
 - Unlock and PME_Turn_Off Messages
- **Root Port:**
 - Error Messages - Error Correctable, Error Non-Fatal, Error Fatal
 - Assert/Deassert INT Messages - INTA, INTB, INTC, INTD
 - Power Management Messages - PM_PME, PME_TO_ACK

- **Receive Non-Posted Request (Non-Posted Flow Control)**
 - The `rx_np_req` signal prevents the user application from buffering Non-Posted TLPs. When `rx_np_req` is asserted, one Non-Posted TLP is requested from the integrated block. This signal cannot be used in conjunction with `rx_np_ok`. Every time that `rx_np_req` is asserted, one TLP is presented on the receive interface; whereas, every time that `rx_np_ok` is deasserted, the user application needs to buffer up to two additional Non-Posted TLPs.
- **Pipeline Registers for Transaction Block RAM Buffers:** Selects the Pipeline registers enabled for the Transaction Buffers. Pipeline registers can be enabled on either the Write path or both the Read and Write paths of the Transaction Block RAM buffers.
- **ATS**
 - **UR_INV_REQ:** When this box is checked, the core handles received ATS Invalidate request messages as unsupported requests. When this box is unchecked, the core passes received ATS Invalidate request messages.
 - **UR_PRS_RESPONSE:** When this box is checked, the core handles received ATS Page Request Group Response messages as unsupported requests. When this box is unchecked, the core passes received ATS PRG Response messages.

DL and PL Settings

The DL and PL Settings page is available only when in Advanced mode.

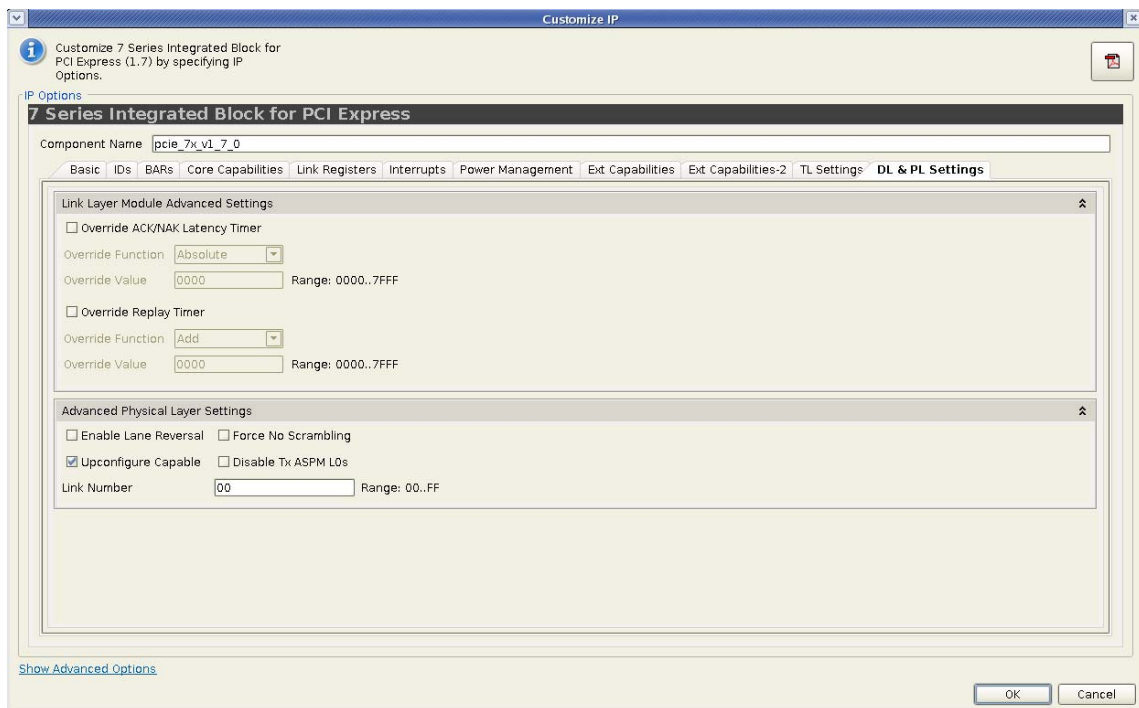


Figure 4-17: DL and PL Settings

Link Layer Module

- **Override ACK/NAK Latency Timer:** Checking this box enables you to override the ACK/NAK latency timer values set in the device. Using this feature can cause the ACK timeout values to be non-compliant to the *PCI Express Base Specification, rev. 2.1* [Ref 2]. This setting can be used to perform advanced debugging operations.



CAUTION! *Modify the default attributes only if directed by Xilinx Technical Support.*

- **ACK Latency Timer Override Function:** This setting determines how the override value is used by the device with respect to the ACK/NAK Latency Timer Value in the device. Options are "Absolute", "Add", and "Subtract". The first two settings can cause the ACK timeout values to be non-compliant with the *PCI Express Base Specification, rev. 2.1*.
- **ACK Latency Timer Override Value:** This setting determines the ACK/NAK latency timer value used by the device depending on if the ACK Latency Timer Override Function enabled. The built-in table value depends on the Negotiated Link Width and Programmed MPS of the device.
- **Override Replay Timer:** Checking this box enables you to override the replay timer values set in the device. Use of this feature could cause the replay timeout values to be non-compliant to the *PCI Express Base Specification, rev. 2.1*. This setting can be used to perform advanced debugging operations.



CAUTION! *Modify the default attributes only if directed by Xilinx Technical Support.*

- **Replay Timer Override Function:** This setting determines how the override value is used by the device with respect to the replay timer value in the device. Options are "Absolute", "Add", and "Subtract". The first two settings can cause the replay timeout values to be non-compliant with the *PCI Express Base Specification, rev. 2.1*.
- **Replay Timer Override Value:** This setting determines the replay timer value used by the device depending on if the Replay Timer Override Function enabled. The built-in table value depends on the Negotiated Link Width and Programmed MPS of the device.



IMPORTANT: *You must ensure that the final timeout value does not overflow the 15-bit timeout value.*

Advanced Physical Layer

- **Enable Lane Reversal:** When checked, enables the Lane Reversal feature.
- **Force No Scrambling:** Used for diagnostic purposes only and should never be enabled in a working design. Setting this bit results in the data scramblers being turned off so that the serial data stream can be analyzed.
- **Upconfigure Capable:** When unchecked, the port is advertised as "Not Upconfigure Capable" during Link Training.

- **Disable TX ASPM L0s:** When checked, prevents the device transmitter from entering the L0s state.



RECOMMENDED: *Disable TX ASPM L0s for a link that interconnects a 7 series FPGA to any Xilinx component.*

- **Link Number:** Specifies the link number advertised by the device in TS1 and TS2 ordered sets during Link training. Used in downstream facing mode only.

Shared Logic

Enables you to share common blocks across multiple instantiations by selecting one or more of the options on this page. For a details description of the shared logic feature, see [Shared Logic in Chapter 3](#).

Core Interface Parameters

You can select the core interface parameters to use. By default all ports are brought out. For cases you might choose to disable some of the interfaces if they are not used. When disabled, the interfaces (ports) are removed from the core top.



RECOMMENDED: *For a typical use case, do not disable the interfaces. Disable the ports only in special cases.*

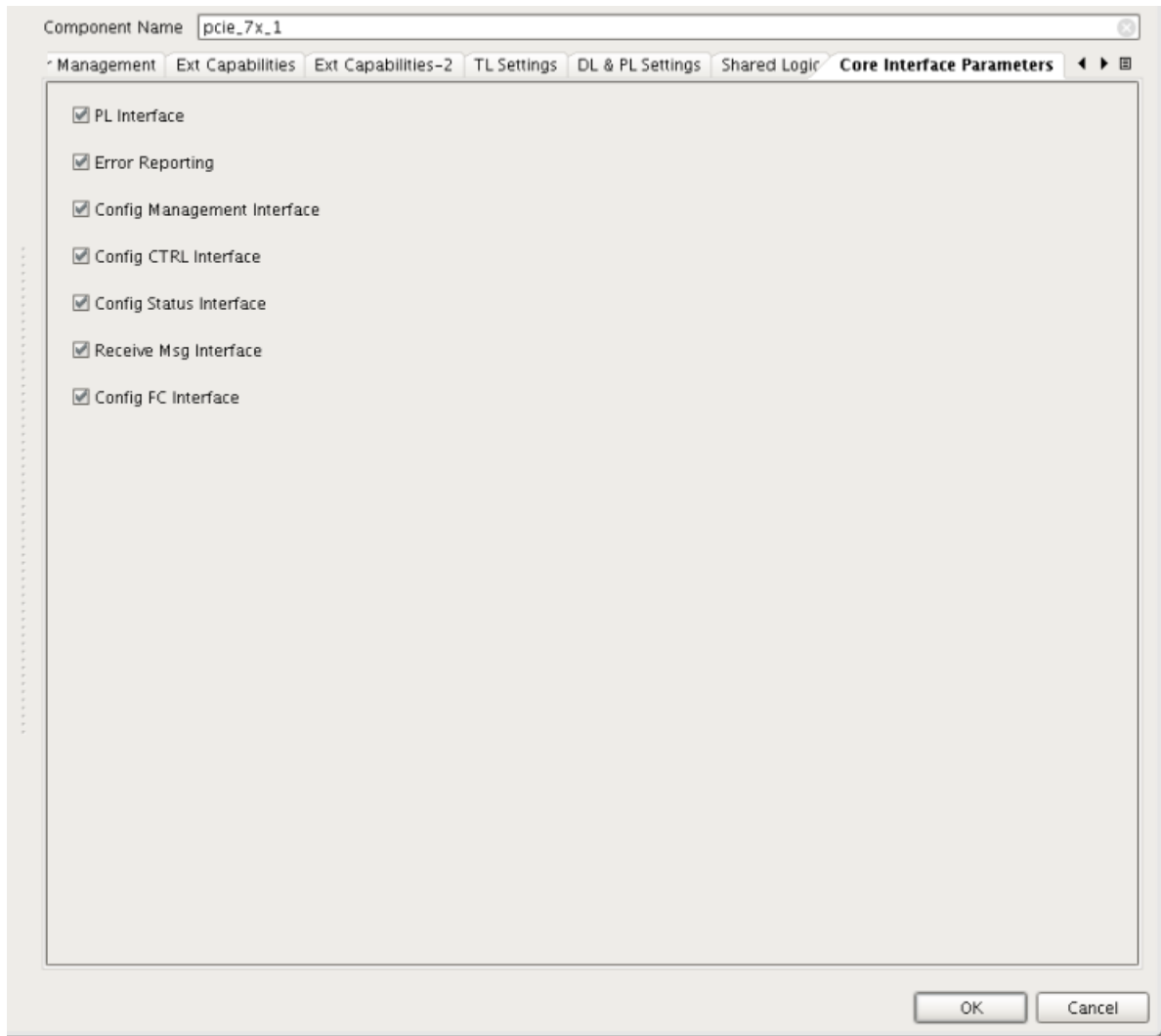


Figure 4-18: Core Interface Parameters

PL Interface

When you disable the physical layer (PL) Interface option, the following ports are removed from the core. This option enables you to inspect the status of the link and link partner and control the link state

- pl_sel_Ink_rate
- pl_sel_Ink_width
- pl_ltssm_state
- pl_lane_reversal_mode
- pl_phy_Ink_up
- pl_directed_link_change

- pl_directed_link_width
- pl_directed_link_speed
- pl_directed_link_auton
- pl_tx_pm_state
- pl_rx_pm_state
- pl_link_upcfg_cap
- pl_link_gen2_cap
- pl_link_partner_gen2_supported
- pl_initial_link_width
- pl_upstream_prefer_deemph
- pl_downstream_deemph_source
- pl_directed_change_done
- pl_transmit_hot_rst
- pl_received_hot_rst

Error Reporting

When you disable the Error Reporting option, the following ports are removed from the core. These signals are associated with the user application error reporting interface for the PCIe Gen2 core.

- cfg_err_malformed
- cfg_err_cor
- cfg_err_ur
- cfg_err_ecrc
- cfg_err_cpl_timeout
- cfg_err_cpl_abort
- cfg_err_cpl_unexpect
- cfg_err_poisoned
- cfg_err_acs
- cfg_err_atomic_egress_blocked
- cfg_err_mc_blocked
- cfg_err_internal_uncor
- cfg_err_internal_cor

- cfg_err_posted
- cfg_err_locked
- cfg_err_norecovery
- cfg_err_cpl_rdy
- cfg_err_tlp_cpl_header
- cfg_err_aer_headerlog
- cfg_aer_interrupt_msgnum
- cfg_err_aer_headerlog_set
- cfg_aer_ecrc_check_en
- cfg_aer_ecrc_gen_en

Config Management Interface

When you disable the Config Management Interface option, the following ports are removed from the port. These signals are used to read and write to the Configuration Space registers.

- cfg_mgmt_do
- cfg_mgmt_di
- cfg_mgmt_byte_en
- cfg_mgmt_dwaddr
- cfg_mgmt_wr_rw1c_as_rw
- cfg_mgmt_wr_readonly
- cfg_mgmt_wr_en
- cfg_mgmt_rd_en
- cfg_mgmt_rd_wr_done

Config CTRL Interface

When you disable the Config Control (CTRL) Interface option, the following ports are removed from the core. These signals allow a broad range of information exchange between the user application and the core.

- cfg_trn_pending
- cfg_pm_halt_aspm_l0s
- cfg_pm_halt_aspm_l1
- cfg_pm_force_state_en

- cfg_pm_force_state
- cfg_dsn
- tx_cfg_gnt
- rx_np_ok
- rx_np_req
- cfg_turnoff_ok
- cfg_pm_wake
- cfg_pm_send_pme_to
- cfg_ds_bus_number
- cfg_ds_device_number
- cfg_ds_function_number

Config Status Interface

When you disable the Config Status Interface, the following ports are removed from the core. These signals provide information on how the PCIe Gen2 core is configured.

- cfg_status
- cfg_command
- cfg_dstatus
- cfg_dcommand
- cfg_lstatus
- cfg_lcommand
- cfg_dcommand2
- cfg_pcie_link_state
- cfg_pmcsr_powerstate
- cfg_pmcsr_pme_en
- cfg_pmcsr_pme_status
- cfg_received_func_lvl_rst
- cfg_to_turnoff
- cfg_bus_number
- cfg_device_number
- cfg_function_number
- cfg_bridge_serr_en

- cfg_slot_control_electromech_il_ctl_pulse
- cfg_root_control_syserr_corr_err_en
- cfg_root_control_syserr_non_fatal_err_en
- cfg_root_control_syserr_fatal_err_en
- cfg_root_control_pme_int_en
- cfg_aer_rooterr_corr_err_reporting_en
- cfg_aer_rooterr_non_fatal_err_reporting_en
- cfg_aer_rooterr_fatal_err_reporting_en
- cfg_aer_rooterr_corr_err_received
- cfg_aer_rooterr_non_fatal_err_received
- cfg_aer_rooterr_fatal_err_received
- cfg_vc_tvcv_map
- tx_buf_av
- tx_err_drop
- tx_cfg_req

Receive Msg Interface

When you disable the Receive Message Interface option, the following ports are removed from the core. These signals indicate decodable messages from the link, parameters associated with the data, and type of message received.

- cfg_msg_received
- cfg_msg_data
- cfg_msg_received_err_cor
- cfg_msg_received_err_non_fatal
- cfg_msg_received_err_fatal
- cfg_msg_received_assert_int_a
- cfg_msg_received_deassert_int_a
- cfg_msg_received_assert_int_b
- cfg_msg_received_deassert_int_b
- cfg_msg_received_assert_int_c
- cfg_msg_received_deassert_int_c
- cfg_msg_received_assert_int_d

- `cfg_msg_received_deassert_int_d`
- `cfg_msg_received_pm_pme`
- `cfg_msg_received_pme_to_ack`
- `cfg_msg_received_unlock`
- `cfg_msg_received_pm_as_nak`

Config FC Interface

When you disable the Config flow control (FC) Interface option, the following ports are removed from the core. These signals are associated with the configuration flow control for the PCIe Gen2 Core.

- `cfg_fc_ph`
- `cfg_fc_pd`
- `cfg_fc_nph`
- `cfg_fc_npd`
- `cfg_fc_cplh`
- `cfg_fc_cpld`
- `cfg_fc_sel`

Output Generation

For details, see the *Vivado Design Suite User Guide: Designing with IP* (UG896) [Ref 15].

Endpoint Configuration

This section shows the directory structure for the Endpoint configuration of the generated core. See [Chapter 5, Detailed Example Designs](#) for descriptions of the contents of each directory.

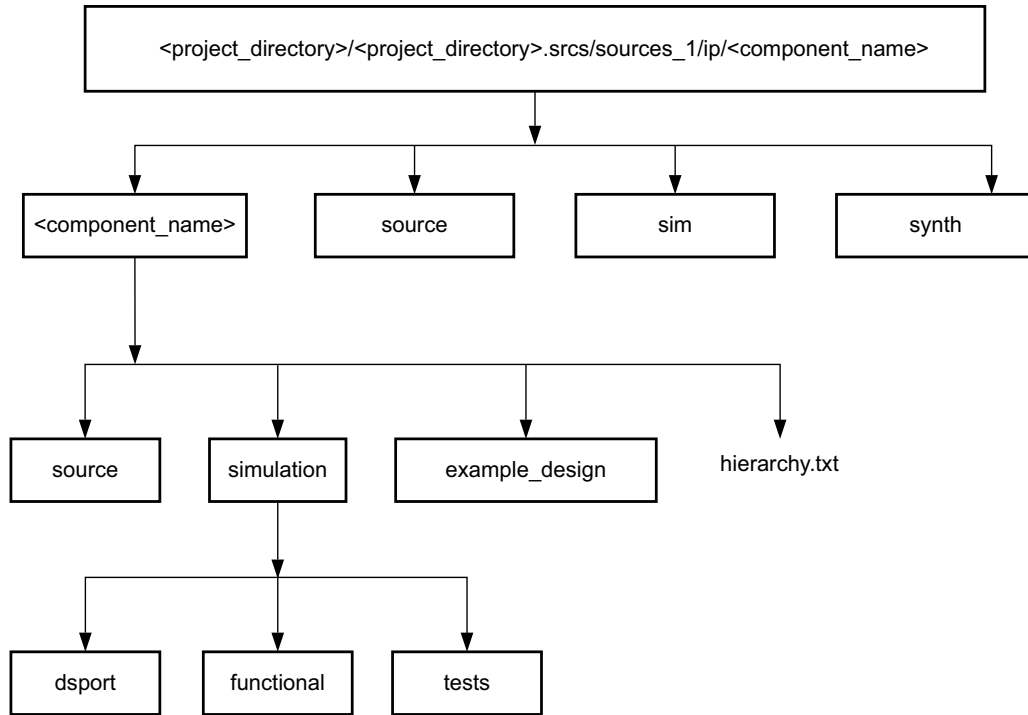


Figure 4-19: Endpoint Configuration Directory Structure

Root Port Configuration

This section shows the directory structure for the Root Port configuration of the generated core. See [Chapter 5, Detailed Example Designs](#) for descriptions of the contents of each directory.

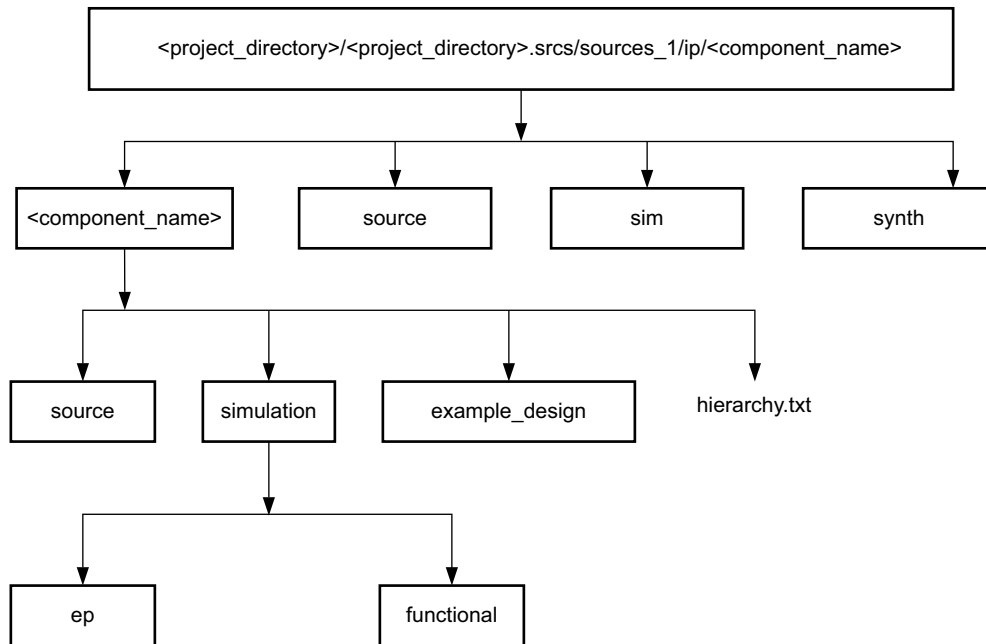


Figure 4-20: Root Port Configuration Directory Structure

Constraining the Core

The 7 Series FPGAs Integrated Block for PCI Express solution requires the specification of timing and other physical implementation constraints to meet specified performance requirements for PCI Express. These constraints are provided with the Endpoint and Root Port solutions in a Xilinx Design Constraints (XDC) file. Pinouts and hierarchy names in the generated XDC correspond to the provided example design.



TIP: To achieve consistent implementation results, use an XDC file containing these original, unmodified constraints when a design is run through the Xilinx tools. For additional details on the definition and use of an XDC file or specific constraints, see the *Vivado Design Suite Tcl Command Reference Guide (UG835)* [Ref 20].

Constraints provided with the integrated block solution have been tested in hardware and provide consistent results. Constraints can be modified, but modifications should only be made with a thorough understanding of the effect of each constraint. Additionally, support is not provided for designs that deviate from the provided constraints.

Although the XDC file delivered with each core shares the same overall structure and sequence of information, the content of the XDC for each core varies. The sections that follow define the structure and sequence of information in a generic XDC.

Device, Package, and Speed Grade Selections

The first section of the XDC specifies the exact device for the implementation tools to target, including the specific part, package, and speed grade. In some cases, device-specific options can be included. The device in the XDC reflects the device chosen in the Vivado Design Suite project.

User Timing Constraints

The user timing constraints section is not populated. It is a placeholder for you to provide timing constraints on user-implemented logic.

User Physical Constraints

The user physical constraints section is not populated. It is a placeholder for you to provide physical constraints on user-implemented logic.

Core Pinout and I/O Constraints

The core pinout and I/O constraints section contains constraints for I/Os belonging to the core System (SYS) and PCI Express (PCI_EXP) interfaces. It includes location constraints for pins, I/O logic and I/O standard constraints.

Core Physical Constraints

The core physical constraints are used to limit the core to a specific area of the device and to specify locations for clock buffering and other logic instantiated by the core.

Core Timing Constraints

This core timing constraints section defines clock frequency requirements for the core and specifies which nets the timing analysis tool should ignore.

Device Selection

The device selection portion of the XDC informs the implementation tools which part, package, and speed grade to target for the design.



IMPORTANT: *Because the core is designed for specific part and package combinations, do not modify this section.*

The device selection section always contains a part selection line, but can also contain part or package-specific options. An example part selection line:

```
CONFIG PART = XC7V585T-FFG1761-1
```

Core I/O Assignments

This section controls the placement and options for I/Os belonging to the core System (SYS) interface and PCI Express (PCI_EXP) interface. `set_property` constraints in this section control the pin location and I/O options for signals in the SYS group. Locations and options vary depending on which derivative of the core is used and should not be changed without fully understanding the system requirements.

For example:

```
set_property IOSTANDARD LVCMOS18 [get_ports sys_rst_n]
set_property LOC IBUFDS_GTE2_X0Y3 [get_cells refclk_ibuf]
```

See [Clocking](#) and [Resets in Chapter 3](#) for detailed information about reset and clock requirements.

For GTX transceiver pinout information, see the “Placement Information by Package” appendix in the *7 Series FPGAs GTX/GTH Transceivers User Guide (UG476)* [\[Ref 12\]](#).

INST constraints are used to control placement of signals that belong to the PCI_EXP group. These constraints control the location of the transceiver(s) used, which implicitly controls pin locations for the transmit and receive differential pair.

For example:

```
set_property LOC GTXE2_CHANNEL_X0Y7 [get_cells {pcie_7x_v2_1_0_i/inst/inst/gt_top_i/
pipe_wrapper_i/pipe_lane[0].gt_wrapper_i/gtx_channel.gtxe2_channel_i}]
```

Core Physical Constraints

Core physical constraints are included in the constraints file to control the location of clocking and other elements and to limit the core to a specific area of the FPGA logic.



IMPORTANT: *Specific physical constraints are chosen to match each supported device and package combination. Do not modify these constraints.*

Note: In certain situations where a design cannot close timing, the following AREA_GROUP constraints can be added to XDC.

```
INST "core/*" AREA_GROUP = "AG_core" ;
AREA_GROUP "AG_core" RANGE = SLICE_X136Y147:SLICE_X155Y120 ;
```

Core Timing Constraints

Timing constraints are provided for all integrated block solutions, although they differ based on core configuration. In all cases, they are crucial and must not be modified, except to specify the top-level hierarchical name. Timing constraints are divided into two categories:

- **set_false_path constraints.** Used on paths where specific delays are unimportant, to instruct the timing analysis tools to refrain from issuing *Unconstrained Path* warnings.
- **Frequency constraints.** Group clock nets into time groups and assign properties and requirements to those groups.

Here is an example of a `set_false_path` constraint:

```
set_false_path -from [get_ports sys_rst_n]
```

Clock constraints example:

First, the input reference clock period is specified, which can be 100 MHz, 125 MHz, or 250 MHz (selected in the Vivado IDE).

```
create_clock -name sys_clk -period 10 [get_pins refclk_ibuf/0]
```

Next, the internally generated clock net and period are specified, which can be 100 MHz, 125 MHz, or 250 MHz.

Note: *Both* clock constraints must be specified as 100 MHz, 125 MHz, or 250 MHz.

```
create_generated_clock -name clk_125mhz -source [get_pins refclk_ibuf/0] -edges {1 2 3} -edge_shift {0 -1 -2} [get_pins ext_clk.pipe_clock_i/mmc_m_i/CLKOUT0]
```

```
create_generated_clock -name clk_userclk -source [get_pins refclk_ibuf/0] -edges {1 2 3} -edge_shift {0 3 6} [get_pins ext_clk.pipe_clock_i/mmc_m_i/CLKOUT2]
```

Relocating the Integrated Block Core

While Xilinx does not provide technical support for designs whose system clock input, GTXE transceivers, or block RAM locations are different from the provided examples, it is possible to relocate the core within the FPGA. The locations selected in the IP core and the examples provided are the recommended pinouts. These locations have been chosen based on the proximity to the PCIe® block, which enables meeting 250 MHz timing, and because they are conducive to layout requirements for add-in card design. If the core is moved, the relative location of all transceivers and clocking resources should be maintained to ensure timing closure.

By default, the IP core-level constraints lock block RAMs, transceivers, and the PCIe block to the recommended location. To relocate these blocks, you must override the constraints for these blocks in the XDC constraint file. To do so:

1. Copy the constraints for the block that needs to be overwritten from the core-level XDC constraint file.
2. Place the constraints in the user XDC constraint file.
3. Update the constraints with the new location.

The user XDC constraints are usually scoped to the top-level of the design; therefore, you must ensure that the cells referred by the constraints are still valid after copying and pasting them. Typically, you need to update the module path with the full hierarchy name.

Note: If there are locations that need to be swapped (i.e., the new location is currently being occupied by another module), there are two ways to do this.

- If there is a temporary location available, move the first module out of the way to a new temporary location first. Then, move the second module to the location that was occupied by the first module. Then, move the first module to the location of the second module. These steps can be done in XDC constraint file.
- If there is no other location available to be used as a temporary location, use the `reset_property` command from Tcl command window on the first module before relocating the second module to this location. The `reset_property` command cannot be done in XDC constraint file and must be called from the Tcl command file or typed directly into the Tcl Console.

Available Integrated Blocks for PCIe

Virtex®-7 FPGAs contain multiple blocks. [Table 4-6](#) lists which blocks are available for use in these FPGAs. Kintex®-7 and Artix®-7 devices only contain one block. In some Virtex-7 family cases, not all blocks can be targeted due to the lack of bonded transceivers sites adjacent to the Integrated Block. The Integrated Blocks in FPGAs listed in [Table 4-6](#) only support operations up to Gen2 (5.0 GT/s) speeds. For Gen 3 (8.0 GT/s) operation, see *Virtex-7 FPGA Gen3 Integrated Block for PCI Express Product Guide (PG023)* [[Ref 4](#)].

Table 4-6: Available Integrated Blocks for PCIe

Device Selection			Integrated Block for PCIe Location				
Device	Package	X0Y0	X0Y1	X0Y2	X1Y0	X1Y1	
Zynq®-7000	XC7Z015	CLG485	✓				
	XC7Z030	FBG484	✓				
		FBG676					
		FFG676					
		SBG485					
FBV484							
XC7Z035	FBG676	✓					
	FFG676						
	FFG900						
	FBV676						
	FFV676						
XC7Z045	FBG676	✓					
	FFG676						
	FFG900						
	FBV676						
	FFV676						
XC7Z100	FFG900	✓					
	FFG1156						
	FFV676						
	FFV1156						
qZynq-7000	XQ7Z030	RB484 RF676	✓				
	XQ7Z045	RF676	✓				
		RF900 RFG676					
XQ7Z100	RF1156	✓					
aZynq-7000	XA7Z030	FBG484	✓				

Table 4-6: Available Integrated Blocks for PCIe (Cont'd)

Device Selection		Integrated Block for PCIe Location					
Device	Package	X0Y0	X0Y1	X0Y2	X1Y0	X1Y1	
Virtex-7	XC7VX485T	FFG1157				✓	✓
		FFG1761				✓	✓
		FFG1930				✓	✓
		FFG1158	✓	✓		✓	✓
		FFG1927	✓	✓		✓	✓
	XC7V585T	FFG1157		✓	✓		
		FFG1761	✓	✓	✓		
	XC7V2000T	FHG1761	✓	✓	✓		
		FLG1925	✓	✓			
	qVirtex-7	XQ7VX485T	RF1761				✓
RF1930						✓	✓
XQ7VX585T		RF1157		✓	✓		
		RF1761	✓	✓	✓		

Table 4-6: Available Integrated Blocks for PCIe (Cont'd)

Device Selection			Integrated Block for PCIe Location				
Device	Package	X0Y0	X0Y1	X0Y2	X1Y0	X1Y1	
Kintex-7	XC7K480T	FFG901 FFG1156 FFV901 FFV1156	✓				
	XC7K420T	FFG901 FFG1156 FFV901 FFV1156	✓				
	XC7K410T	FBG676 FBG900 FFG676 FFG900 FBV676 FBV900 FFV676 FFV900	✓				
	XC7K355T	FFG901 FFV901	✓				
	XC7K325T	FBG676 FBG900 FFG676 FFG900 FBV676 FBV900 FFV676 FFV900	✓				
	XCK7160T	FBG484 FBG676 FFG676 FBV484 FBV676 FFV676	✓				
	XC7K70T	FBG484 FBG676 FBV484 FBV676	✓				
qKintex-7	XQ7K325T	RF676 RF900	✓				
	XQ7K410T	RF676 RF900	✓				

Table 4-6: Available Integrated Blocks for PCIe (Cont'd)

Device Selection			Integrated Block for PCIe Location				
Device	Package	X0Y0	X0Y1	X0Y2	X1Y0	X1Y1	
Kintex-7I	XC7K480T	FFG901 FFG1156 FFV901 FFV1156	✓				
	XC7K420T	FFG901 FFG1156 FFV901 FFV1156	✓				
	XC7K410T	FBG676 FBG900 FFG676 FFG900 FBV676 FBV900 FFV676 FFV900	✓				
	XC7K355T	FFG901 FFV901	✓				
	XC7K325T	FBG676 FBG900 FFG676 FFG900 FBV676 FBV900 FFV676 FFV900	✓				
	XCK7160T	FBG484 FBG676 FFG676 FBV484 FBV676 FFV676	✓				
	XC7K70T	FBG484 FBG676 FBV484 FBV676	✓				
qKintex-7I	XQ7K325T	RF676 RF900	✓				
	XQ7K410T	RF676 RF900	✓				

Table 4-6: Available Integrated Blocks for PCIe (Cont'd)

Device Selection		Integrated Block for PCIe Location					
Device	Package	X0Y0	X0Y1	X0Y2	X1Y0	X1Y1	
Artix-7	XC7A15T	CPG236 CSG325 FGG484	✓				
	XC7A35T	CPG236 CSG325 FGG484	✓				
	XC7A50T	CPG236 CSG325 FGG484	✓				
	XC7A75T	FGG484	✓				
	XC7A100T	FGG484 FGG676	✓				
	XC7A200T	FBG484 FBG676 FFG1156 SBG484 FFV1156 FBV676 FBV484 SBV484	✓				
qArtix-7	XQ7A100T	FG484	✓				
	XQ7A200T	RB484 RS484 RB676	✓				
	XQ7A50T	CS325	✓				
aArtix-7	XA7A15T	CSG325	✓				
	XA7A35T	CPG236 CSG325 FGG484	✓				
	XA7A50T	CPG236 CSG325 FGG484	✓				
	XA7A75T	FGG676 FGG484	✓				
	XA7A100T	FGG484	✓				

Table 4-6: Available Integrated Blocks for PCIe (Cont'd)

Device Selection		Integrated Block for PCIe Location					
Device	Package	X0Y0	X0Y1	X0Y2	X1Y0	X1Y1	
Artix-7l	XC7A15T	CPG236 CSG325 FGG484	✓				
	XC7A35T	CPG236 CSG325 FGG484	✓				
	XC7A50T	CPG236 CSG325 FGG484	✓				
	XC7A75T	FGG484	✓				
	XC7A100T	FGG484 FGG676	✓				
	XC7A200T	FBG484 FBG676 FFG1156 SBG484 FFV1156 FBV676 FBV484 SBV484	✓				

Recommended GT Locations

Zynq-7000 Devices

Table 4-7 defines the recommended serial transceiver (GT) locations for the available Zynq-7000 device part and package combinations. The Vivado Design Suite provides an XDC for the selected part and package that matches the table contents.

Note: You can select other GT locations than those listed in the table if the timing is met in the design. To select other locations, manually modify the generated constraints in the XDC file.

Table 4-7: Zynq-7000 Recommended GT Locations

Device	Package	Integrated Block Location	Lane	X1	X2	X4	X8
XC7Z015	CLG485	X0Y0	Lane 0	X0Y3	X0Y3	X0Y3	Not Supported
			Lane 1		X0Y2	X0Y2	
			Lane 2			X0Y1	
			Lane 3			X0Y0	

Table 4-7: Zynq-7000 Recommended GT Locations (Cont'd)

Device	Package	Integrated Block Location	Lane	X1	X2	X4	X8
XC7Z030	FBG484, FBG676, FFG676, SBG485, FBV484, FBV676, FFV676	X0Y0	Lane 0	X0Y3	X0Y3	X0Y3	Not Supported
			Lane 1		X0Y2	X0Y2	
			Lane 2			X0Y1	
			Lane 3			X0Y0	
XC7Z035	FBG676, FFG676, FFG900, FBV676, FFV676, FFV900	X0Y0	Lane 0	X0Y15	X0Y15	X0Y15	X0Y15
			Lane 1		X0Y14	X0Y14	X0Y14
			Lane 2			X0Y13	X0Y13
XC7Z045	FBG676, FFG676, FFG900, FBV676, FFV676, FFV900		Lane 3			X0Y12	X0Y12
			Lane 4				X0Y11
XC7Z100	FFG900, FFG1156, FFV900, FFV1156		Lane 5				X0Y10
			Lane 6				X0Y9
		Lane 7				X0Y8	

Virtex-7 Devices

Table 4-8, Table 4-9, and Table 4-10 define the recommended GT locations for the available Virtex-7 device part and package combinations. The Vivado Design Suite provides an XDC for the selected part and package that matches the table contents.

Note: You can select other GT locations than those listed in the table if the timing is met in the design. To select other locations, manually modify the generated constraints in the XDC file.

Table 4-8: Virtex-7 XC7VX485T Recommended GT Locations

Package	Integrated Block Location	Lane	X1	X2	X4	X8
FFG1158, FFG1927	X0Y0	Lane 0	X0Y11	X0Y11	X0Y11	X0Y11
		Lane 1		X0Y10	X0Y10	X0Y10
		Lane 2			X0Y9	X0Y9
		Lane 3			X0Y8	X0Y8
		Lane 4				X0Y7
		Lane 5				X0Y6
		Lane 6				X0Y5
	X0Y1	Lane 7				X0Y4
		Lane 0	X0Y23	X0Y23	X0Y23	X0Y23
		Lane 1		X0Y22	X0Y22	X0Y22
		Lane 2			X0Y21	X0Y21
		Lane 3			X0Y20	X0Y20
		Lane 4				X0Y19
		Lane 5				X0Y18
FFG1157, FFG1761, FFG1930	X1Y0	Lane 6				X0Y17
		Lane 7				X0Y16
		Lane 0	X1Y11	X1Y11	X1Y11	X1Y11
		Lane 1		X1Y10	X1Y10	X1Y10
		Lane 2			X1Y9	X1Y9
		Lane 3			X1Y8	X1Y8
		Lane 4				X1Y7
	X1Y1	Lane 5				X1Y6
		Lane 6				X1Y5
		Lane 7				X1Y4
		Lane 0	X1Y23	X1Y23	X1Y23	X1Y23
		Lane 1		X1Y22	X1Y22	X1Y22
		Lane 2			X1Y21	X1Y21
		Lane 3			X1Y20	X1Y20
Lane 4				X1Y19		
Lane 5				X1Y18		
Lane 6				X1Y17		
Lane 7				X1Y16		

Table 4-9: Virtex-7 XC7V585T Recommended GT Locations

Package	Integrated Block Location	Lane	X1	X2	X4	X8	
FFG1157	X0Y1	Lane 0	X0Y19	X0Y19	X0Y19	X0Y19	
		Lane 1		X0Y18	X0Y18	X0Y18	
		Lane 2			X0Y17	X0Y17	
		Lane 3			X0Y16	X0Y16	
		Lane 4				X0Y15	
		Lane 5				X0Y14	
		Lane 6				X0Y13	
			Lane 7				X0Y12
	X0Y2	Lane 0	X0Y31	X0Y31	X0Y31	X0Y31	X0Y31
		Lane 1		X0Y30	X0Y30	X0Y30	X0Y30
		Lane 2			X0Y29	X0Y29	X0Y29
		Lane 3			X0Y28	X0Y28	X0Y28
		Lane 4					X0Y27
		Lane 5					X0Y26
Lane 6						X0Y25	
		Lane 7				X0Y24	

Table 4-9: Virtex-7 XC7V585T Recommended GT Locations (Cont'd)

Package	Integrated Block Location	Lane	X1	X2	X4	X8	
FFG1761	X0Y0	Lane 0	X0Y7	X0Y7	X0Y7	X0Y7	
		Lane 1		X0Y6	X0Y6	X0Y6	
		Lane 2			X0Y5	X0Y5	
		Lane 3			X0Y4	X0Y4	
		Lane 4				X0Y3	
		Lane 5				X0Y2	
		Lane 6				X0Y1	
		Lane 7				X0Y0	
	X0Y1	Lane 0	X0Y19	X0Y19	X0Y19	X0Y19	X0Y19
		Lane 1		X0Y18	X0Y18	X0Y18	X0Y18
		Lane 2			X0Y17	X0Y17	X0Y17
		Lane 3			X0Y16	X0Y16	X0Y16
		Lane 4				X0Y15	X0Y15
		Lane 5				X0Y14	X0Y14
		Lane 6				X0Y13	X0Y13
		Lane 7				X0Y12	X0Y12
	X0Y2	Lane 0	X0Y31	X0Y31	X0Y31	X0Y31	X0Y31
		Lane 1		X0Y30	X0Y30	X0Y30	X0Y30
		Lane 2			X0Y29	X0Y29	X0Y29
		Lane 3			X0Y28	X0Y28	X0Y28
		Lane 4				X0Y27	X0Y27
		Lane 5				X0Y26	X0Y26
		Lane 6				X0Y25	X0Y25
		Lane 7				X0Y24	X0Y24

Table 4-10: Virtex-7 XC7V2000T Recommended GT Locations

Package	Integrated Block Location	Lane	X1	X2	X4	X8	
FHG1761	X0Y0	Lane 0	X0Y7	X0Y7	X0Y7	X0Y7	
		Lane 1		X0Y6	X0Y6	X0Y6	
		Lane 2			X0Y5	X0Y5	
		Lane 3			X0Y4	X0Y4	
		Lane 4				X0Y3	
		Lane 5				X0Y2	
		Lane 6				X0Y1	
		Lane 7				X0Y0	
	X0Y1	Lane 0	X0Y19	X0Y19	X0Y19	X0Y19	X0Y19
		Lane 1		X0Y18	X0Y18	X0Y18	X0Y18
		Lane 2			X0Y17	X0Y17	X0Y17
		Lane 3			X0Y16	X0Y16	X0Y16
		Lane 4				X0Y15	X0Y15
		Lane 5				X0Y14	X0Y14
		Lane 6				X0Y13	X0Y13
		Lane 7				X0Y12	X0Y12
	X0Y2	Lane 0	X0Y31	X0Y31	X0Y31	X0Y31	X0Y31
		Lane 1		X0Y30	X0Y30	X0Y30	X0Y30
		Lane 2			X0Y29	X0Y29	X0Y29
		Lane 3			X0Y28	X0Y28	X0Y28
		Lane 4				X0Y27	X0Y27
		Lane 5				X0Y26	X0Y26
		Lane 6				X0Y25	X0Y25
		Lane 7				X0Y24	X0Y24

Table 4-10: Virtex-7 XC7V2000T Recommended GT Locations (Cont'd)

Package	Integrated Block Location	Lane	X1	X2	X4	X8
FLG1925	X0Y0	Lane 0	X0Y11	X0Y11	X0Y11	X0Y11
		Lane 1		X0Y10	X0Y10	X0Y10
		Lane 2			X0Y9	X0Y9
		Lane 3			X0Y8	X0Y8
		Lane 4				X0Y7
		Lane 5				X0Y6
		Lane 6				X0Y5
	X0Y1	Lane 7				X0Y4
		Lane 0	X0Y19	X0Y19	X0Y19	X0Y19
		Lane 1		X0Y18	X0Y18	X0Y18
		Lane 2			X0Y17	X0Y17
		Lane 3			X0Y16	X0Y16
		Lane 4				X0Y15
		Lane 5				X0Y14
Lane 6				X0Y13		
Lane 7				X0Y12		

Kintex-7 Devices

Table 4-11 defines the recommended GT locations for the available Kintex-7 device part and package combinations. The Vivado Design Suite provides an XDC for the selected part and package that matches the table contents.

Note: You can select other GT locations than those listed in the table if the timing is met in the design. To select other locations, manually modify the generated constraints in the XDC file.

Table 4-11: Kintex-7 Recommended GT Locations

Device	Package	Integrated Block Location	Lane	X1	X2	X4	X8	
XC7K70T	FBG484, FBV484	X0Y0	Lane 0	X0Y3	X0Y3	X0Y3	Not Supported	
			Lane 1		X0Y2	X0Y2		
			Lane 2			X0Y1		
			Lane 3			X0Y0		
	FBG676, FBV676	X0Y0	Lane 0	X0Y7	X0Y7	X0Y7	X0Y7	
			Lane 1		X0Y6	X0Y6	X0Y6	
			Lane 2			X0Y5	X0Y5	
			Lane 3			X0Y4	X0Y4	
			Lane 4				X0Y3	
			Lane 5				X0Y2	
			Lane 6				X0Y1	
	Lane 7				X0Y0			
	XC7K160T	FBG484, FBV484	X0Y0	Lane 0	X0Y3	X0Y3	X0Y3	Not Supported
				Lane 1		X0Y2	X0Y2	
Lane 2						X0Y1		
Lane 3						X0Y0		
FBG676, FFG676, FBV676, FFV676		X0Y0	Lane 0	X0Y7	X0Y7	X0Y7	X0Y7	
			Lane 1		X0Y6	X0Y6	X0Y6	
			Lane 2			X0Y5	X0Y5	
			Lane 3			X0Y4	X0Y4	
			Lane 4				X0Y3	
			Lane 5				X0Y2	
			Lane 6				X0Y1	
Lane 7					X0Y0			
XC7K325T		FBG676, FBG900, FFG676, FFG900, FBV676, FBV900, FFV676, FFV900	X0Y0	Lane 0	X0Y7	X0Y7	X0Y7	X0Y7
				Lane 1		X0Y6	X0Y6	X0Y6
	Lane 2					X0Y5	X0Y5	
	Lane 3					X0Y4	X0Y4	
	Lane 4						X0Y3	
	Lane 5						X0Y2	
	Lane 6						X0Y1	
Lane 7				X0Y0				

Table 4-11: Kintex-7 Recommended GT Locations (Cont'd)

Device	Package	Integrated Block Location	Lane	X1	X2	X4	X8
XC7K355T	FFG901, FFV901	X0Y0	Lane 0	X0Y15	X0Y15	X0Y15	X0Y15
			Lane 1		X0Y14	X0Y14	X0Y14
			Lane 2			X0Y13	X0Y13
			Lane 3			X0Y12	X0Y12
			Lane 4				X0Y11
			Lane 5				X0Y10
			Lane 6				X0Y9
			Lane 7				X0Y8
XC7K410T	FBG676, FBG900, FFG676, FFG900, FBV676, FBV900, FFV676, FFV900	X0Y0	Lane 0	X0Y7	X0Y7	X0Y7	X0Y7
			Lane 1		X0Y6	X0Y6	X0Y6
			Lane 2			X0Y5	X0Y5
			Lane 3			X0Y4	X0Y4
			Lane 4				X0Y3
			Lane 5				X0Y2
			Lane 6				X0Y1
			Lane 7				X0Y0
XC7K420T XC7K480T	FFG901, FFG1156, FFV901, FFV1156	X0Y0	Lane 0	X0Y19	X0Y19	X0Y19	X0Y19
			Lane 1		X0Y18	X0Y18	X0Y18
			Lane 2			X0Y17	X0Y17
			Lane 3			X0Y16	X0Y16
			Lane 4				X0Y15
			Lane 5				X0Y14
			Lane 6				X0Y13
			Lane 7				X0Y12

Artix-7 Devices

Table 4-12 defines the recommended GT locations for the available Artix-7 device part and package combinations. The Vivado Design Suite provides an XDC for the selected part and package that matches the table contents.

Note: You can select other GT locations than those listed in the table if the timing is met in the design. To select other locations, manually modify the generated constraints in the XDC file.

Table 4-12: Artix-7 Recommended GT Locations

Device	Package	Integrated Block Location	Lane	X1	X2	X4	X8
XC7A200T	FBG484, FBG676, FFG1156, SBG484, FBV484, FBV676, FFV1156, SBV484	X0Y0	Lane 0	X0Y7	X0Y7	X0Y7	Not Supported
			Lane 1		X0Y6	X0Y6	
			Lane 2			X0Y5	
XC7A100T	FGG484, FGG676		Lane 3			X0Y4	
XC7A75T	FGG484, FGG676						
XC7A35T	FGG484, CPG236, CSG325	X0Y0	Lane 0	X0Y3	X0Y3	X0Y3	Not Supported
			Lane 1		X0Y2	X0Y2	
			Lane 2			X0Y1	
XC7A50T	FGG484, CPG236, CSG325		Lane 3			X0Y0	
XC7A15T	CPG236, CSG325, FGG484	X0Y0	Lane 0	X0Y3	X0Y3	X0Y3	Not Supported
			Lane 1		X0Y2	X0Y2	
			Lane 2			X0Y1	
			Lane 3			X0Y0	

Simulation

This section contains information about simulating IP in the Vivado Design Suite.

- For comprehensive information about Vivado simulation components, as well as information about using supported third party tools, see the *Vivado Design Suite User Guide: Logic Simulation* (UG900) [Ref 16].
- For information about simulating the example design, see [Simulating the Example Design in Chapter 5](#).



IMPORTANT: For cores targeting 7 series or Zynq-7000 devices, UNIFAST libraries are not supported. Xilinx IP is tested and qualified with UNISIM libraries only.

Simulating with Tandem Configurations

For specific requirements for simulating with Tandem Configurations, see [Simulating the Tandem IP Core in Chapter 3](#).

PIPE Mode Simulations

This section describes PIPE Mode simulations with the example design. For third-party bus functional model support, see the *PIPE Mode Simulation Using Integrated Endpoint PCI*

Express Block in Gen2 x8 Configurations Application Note (XAPP1184) [Ref 21].

The PIPE Simulation mode allows you to run the simulations without serial transceiver block to speed up simulations.

To run the simulations using the PIPE interface to speed up the simulation, generate the core after selecting the **Enable PIPE Simulation** radio button under the **PIPE Mode Simulations** group box on in the Basic tab of the Customize IP dialog box. For details, see [PIPE Mode Simulations, page 208](#). In this mode the PIPE interface of the core top module, the PCIe® example design is connected to PIPE interface of the model. This feature is available only for a Verilog version of the core.



IMPORTANT: A new `<component_name>_gt_top_pipe.v` file is created in the source directory and replaces serial transceiver block for PIPE mode simulation.

Third-party simulation support pulls out the following ports when Enable External PIPE interface ports is selected.

[Table 4-13](#) and [Table 4-14](#) describe the PIPE bus signals available at the top level of the core and their corresponding mapping inside the EP core (pcie_top) PIPE signals.



IMPORTANT: A new file, `xil_sig2pipe.v`, is delivered in the simulation directory, and the file replaces `phy_sig_gen.v`. BFM/VIP's should interface with the `xil_sig2pipe` instance in `board.v`.

Table 4-13: Common Input/Output Commands with Endpoint PIPE Signals Mapping

In Commands	Endpoint PIPE Signals Mapping	Out Commands	Endpoint PIPE Signals Mapping
common_commands_in[3:0]	not used ⁽¹⁾	common_commands_out[0]	pipe_clk ⁽²⁾
		common_commands_out[1]	pipe_tx_rate_gt ⁽³⁾
		common_commands_out[2]	pipe_tx_rcvr_det_gt
		common_commands_out[3]	pipe_tx_deemph_gt
		common_commands_out[6:4]	pipe_tx_margin_gt
		common_commands_out[11:7]	not used ⁽¹⁾

Notes:

1. These ports functionality has been deprecated and can be left unconnected.
2. `pipe_clk` is an output clock based on the core configuration. For Gen1 rate, `pipe_clk` is 125 MHz. For Gen2, `pipe_clk` is 250 Mhz.
3. `pipe_tx_rate_gt` indicates the pipe rate: 1'b0 for Gen1, and 1'b1 for Gen2.

Table 4-14: Input/Output Bus with Endpoint PIPE Signals Mapping

Input Bus	Endpoint PIPE Signals Mapping	Output Bus	Endpoint PIPE Signals Mapping
pipe_rx_0_sigs[15:0]	pipe_rx0_data_gt	pipe_tx_0_sigs[15: 0]	pipe_tx0_data_gt
pipe_rx_0_sigs[17:16]	pipe_rx0_char_is_k_gt	pipe_tx_0_sigs[17:16]	pipe_tx0_char_is_k_gt
pipe_rx_0_sigs[18]	pipe_rx0_elec_idle_gt	pipe_tx_0_sigs[18]	pipe_tx0_elec_idle_gt
pipe_rx_0_sigs[24:19]	not used ⁽¹⁾	pipe_tx_0_sigs[19]	pipe_tx0_compliance_gt
		pipe_tx_0_sigs[20]	pipe_rx0_polarity_gt
		pipe_tx_0_sigs[22:21]	pipe_tx0_powerdown_gt

Notes:

1. This ports functionality has been deprecated and can be left unconnected.
2. Lanes 1 to 7 use similar signal definitions.

Post-Synthesis Netlist Functional Simulation

The 7 Series Integrated Block for PCIe core supports post-synthesis/post-implementation netlist functional simulations. Some configurations do not support this feature in this release. See [Table 4-15](#) for the configuration support of netlist functional simulations.

Note: Post-synthesis/implementation netlist *timing* simulations are not supported for any of the configurations this release.

Table 4-15: Configuration Support for Functional Simulation

Configuration	Verilog	VHDL	External PIPE Interface Mode	Shared Logic in Core	Shared Logic in Example Design
Endpoint	Yes	No	No	Yes	Yes
Root Port	Not Supported				

To run a post-synthesis netlist functional simulation:

1. Generate the core with required configuration
2. Open the example design and run Synthesis
3. After synthesis is completed, in the Flow Navigator, right-click the **Run Simulation** option and select **Run Post-Synthesis Functional Simulation**.

Post-Implementation Netlist Functional Simulation

To run post-implementation netlist functional simulations:

1. Complete the above steps post-synthesis netlist function simulation.
2. Run the implementation for the generated example design.

3. After implementation is completed, in the Flow Navigator, right-click the **Run Simulation** option and select **Run Post-Implementation Functional Simulation**.

Synthesis and Implementation

- For further details about synthesis and implementation, see the *Vivado Design Suite User Guide: Designing with IP* (UG896) [Ref 15].
- For information regarding synthesizing and implementing the example design, see [Synthesizing and Implementing the Example Design in Chapter 5](#).

Detailed Example Designs

This section provides an overview of the 7 Series FPGAs Integrated Block for PCI Express® example designs, and instructions for generating the core.

Integrated Block Endpoint Configuration Overview

The example simulation design for the Endpoint configuration of the integrated block consists of two discrete parts:

- **The Root Port Model:** A test bench that generates, consumes, and checks PCI Express bus traffic.
- **The Programmed Input/Output (PIO) example design:** A complete application for PCI Express. The PIO example design responds to Read and Write requests to its memory space and can be synthesized for testing in hardware.

Simulation Design Overview

For the simulation design, transactions are sent from the Root Port Model to the core (configured as an Endpoint) and processed by the PIO example design. [Figure 5-1](#) illustrates the simulation design provided with the Integrated Block core. For more information about the Root Port Model, see [Root Port Model Test Bench for Endpoint in Chapter 6](#).

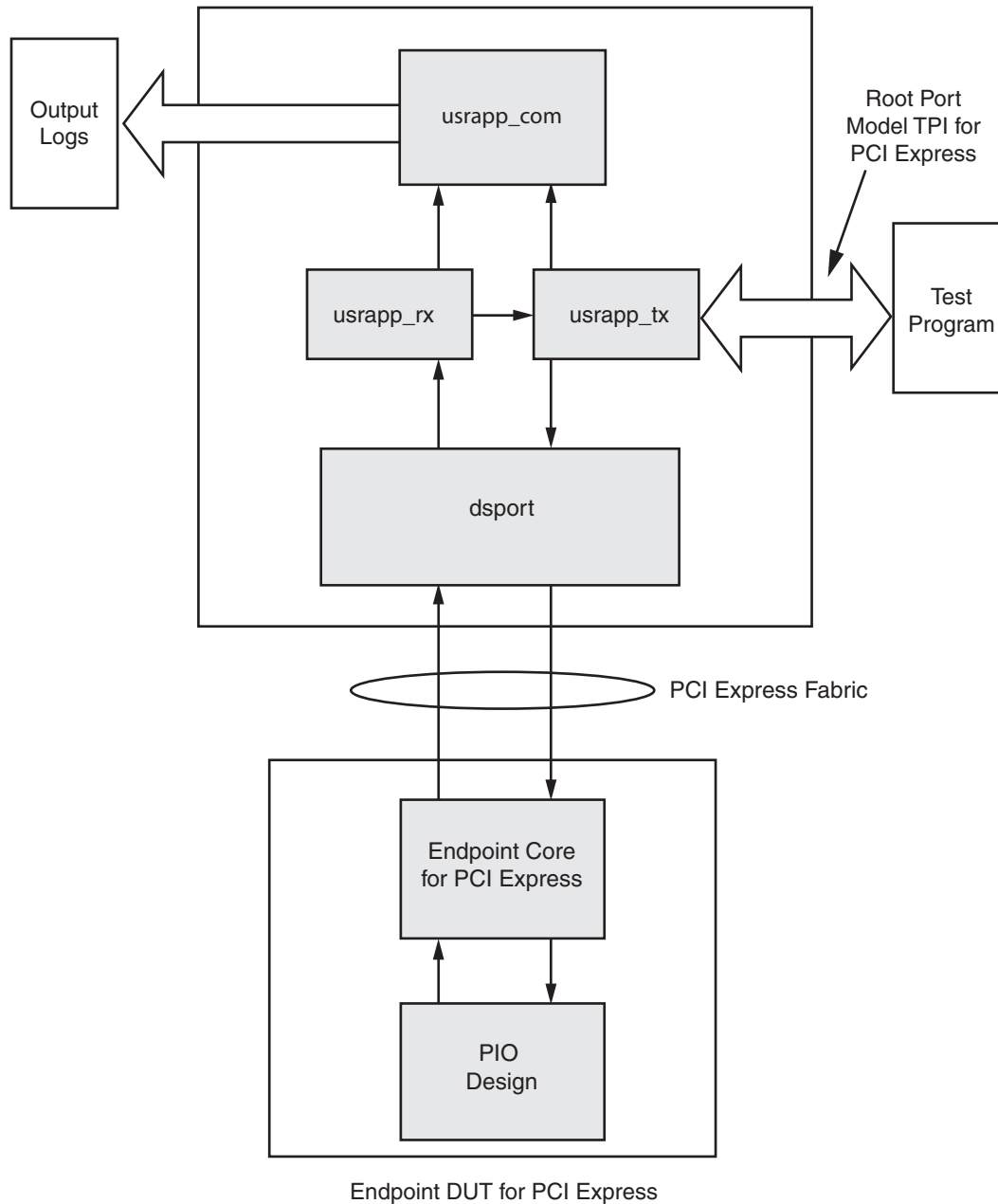


Figure 5-1: Simulation Example Design Block Diagram

Implementation Design Overview

The implementation design consists of a simple PIO example that can accept read and write transactions and respond to requests, as illustrated in Figure 5-2. Source code for the example is provided with the core. For more information about the PIO example design, see Chapter 6, Test Benches.

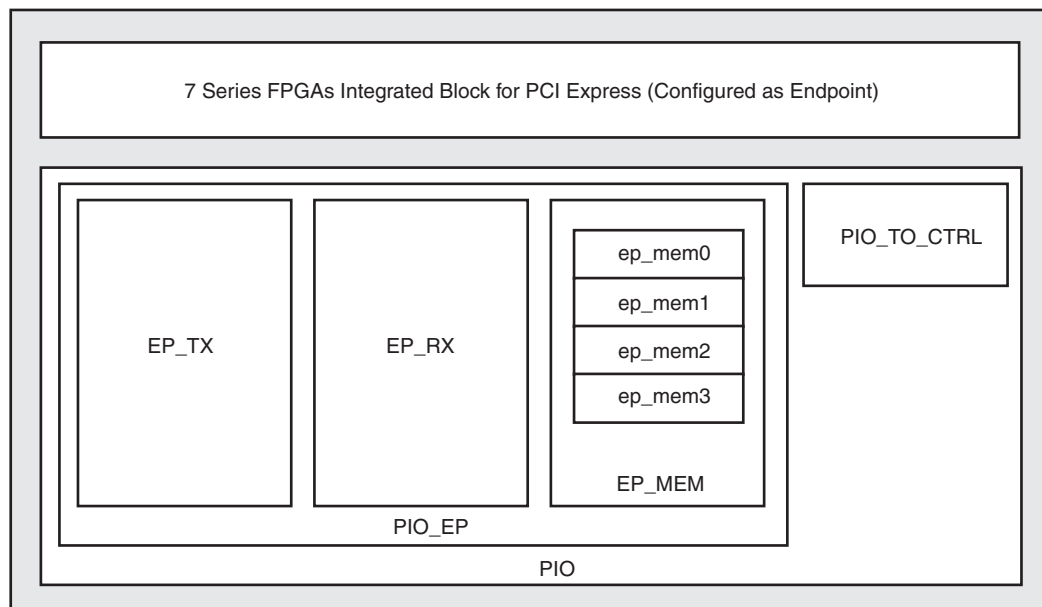


Figure 5-2: Implementation Example Design Block Diagram

Example Design Elements

The PIO example design elements include:

- Core wrapper
- An example Verilog HDL or VHDL wrapper (instantiates the cores and example design)
- A customizable demonstration test bench to simulate the example design

The example design has been tested and verified with Vivado® Design Suite with these simulators:

- Vivado simulator
- Mentor Graphics QuestaSim
- **Note:** ModelSim PE 10.2a is not supported.
- Cadence Incisive Enterprise Simulator (IES)
- Synopsys Verilog Compiler Simulator (VCS)

For the supported versions of these tools, see the *Xilinx Design Tools: Release Notes Guide*⁽³⁾.

Programmed Input/Output: Endpoint Example Design

Programmed Input/Output (PIO) transactions are generally used by a PCI Express® system host CPU to access Memory Mapped Input/Output (MMIO) and Configuration Mapped Input/Output (CMIO) locations in the PCI Express logic. Endpoints for PCI Express accept Memory and I/O Write transactions and respond to Memory and I/O Read transactions with Completion with Data transactions.

The PIO example design (PIO design) is included with the core in an Endpoint configuration generated by the Vivado Integrated Design Environment (IDE).



TIP: You can bring up the system board and verify the link and functionality of the board using the PIO design, which is an established working design.

Note: The PIO design Port Model is shared by the 7 Series FPGAs Integrated Block for PCI Express, Endpoint Block Plus for PCI Express, and Endpoint PIPE for PCI Express solutions. This chapter represents all the solutions generically using the name Endpoint for PCI Express (or Endpoint for PCIe®).

System Overview

The PIO design is a simple target-only application that interfaces with the Endpoint for PCIe core Transaction (AXI4-Stream) interface and is provided as a starting point for building your own designs. These features are included:

- Four transaction-specific 2 KB target regions using the internal Xilinx FPGA block RAMs, providing a total target space of 8192 bytes
- Supports single DWORD payload Read and Write PCI Express transactions to 32-/64-bit address memory spaces and I/O space with support for completion transaction layer packets (TLPs)
- Utilizes the (rx_bar_hit[7:0]) m_axis_rx_tuser[9:2] signals of the core to differentiate between TLP destination Base Address Registers
- Provides separate implementations optimized for 32-bit, 64-bit, and 128-bit AXI4-Stream interfaces

Figure 5-3 illustrates the PCI Express system architecture components, consisting of a Root Complex, a PCI Express switch device, and an Endpoint for PCIe. PIO operations move data *downstream* from the Root Complex (CPU register) to the Endpoint, and/or *upstream* from the Endpoint to the Root Complex (CPU register). In either case, the PCI Express protocol request to move the data is initiated by the host CPU.

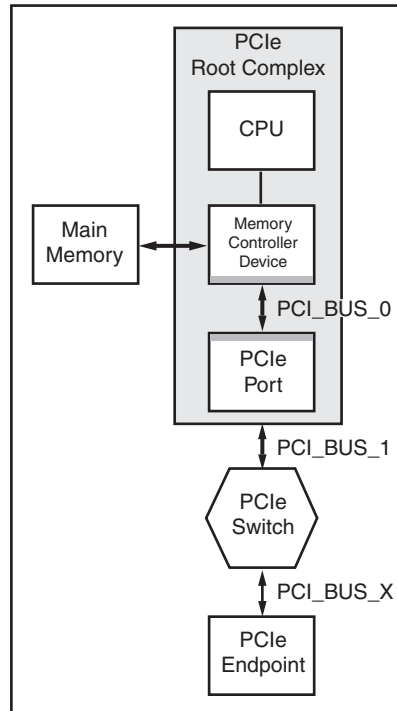


Figure 5-3: PCI Express System Overview

Data is moved downstream when the CPU issues a store register to a MMIO address command. The Root Complex typically generates a Memory Write TLP with the appropriate MMIO location address, byte enables, and the register contents. The transaction terminates when the Endpoint receives the Memory Write TLP and updates the corresponding local register.

Data is moved upstream when the CPU issues a load register from a MMIO address command. The Root Complex typically generates a Memory Read TLP with the appropriate MMIO location address and byte enables. The Endpoint generates a Completion with Data TLP after it receives the Memory Read TLP. The Completion is steered to the Root Complex and payload is loaded into the target register, completing the transaction.

PIO Hardware

The PIO design implements a 8192 byte target space in FPGA block RAM, behind the Endpoint for PCIe. This 32-bit target space is accessible through single DWORD I/O Read, I/O Write, Memory Read 64, Memory Write 64, Memory Read 32, and Memory Write 32 TLPs.

The PIO design generates a completion with one DWORD of payload in response to a valid Memory Read 32 TLP, Memory Read 64 TLP, or I/O Read TLP request presented to it by the core. In addition, the PIO design returns a completion without data with successful status for I/O Write TLP request.

The PIO design processes a Memory or I/O Write TLP with one DWORD payload by updating the payload into the target address in the FPGA block RAM space.

Base Address Register Support

The PIO design supports four discrete target spaces, each consisting of a 2 KB block of memory represented by a separate Base Address Register (BAR). Using the default parameters, the Vivado IDE produces a core configured to work with the PIO design that consists of:

- One 64-bit addressable Memory Space BAR
- One 32-bit Addressable Memory Space BAR

You can change the default parameters used by the PIO design; however, in some cases you might need to change the user application depending on your system. See [Changing the Default BAR Settings](#) for information about changing the default parameters and the effect on the PIO design.

Each of the four 2 KB address spaces represented by the BARs corresponds to one of four 2 KB address regions in the PIO design. Each 2 KB region is implemented using a 2 KB dual-port block RAM. As transactions are received by the core, the core decodes the address and determines which of the four regions is being targeted. The core presents the TLP to the PIO design and asserts the appropriate bits of (rx_bar_hit[7:0]) m_axis_rx_tuser[9:2], as defined in [Table 5-1](#).

Table 5-1: TLP Traffic Types

Block RAM	TLP Transaction Type	Default BAR	rx_bar_hit[7:0]
ep_mem0	I/O TLP transactions	Disabled	Disabled
ep_mem1	32-bit address Memory TLP transactions	0	0000_0001b
ep_mem2	64-bit address Memory TLP transactions	Disabled	Disabled
ep_mem3	32-bit address Memory TLP transactions destined for EROM	Expansion ROM	0100_0000b

Changing the Default BAR Settings

You can change the parameters and continue to use the PIO design to create customized Verilog or VHDL source to match the selected BAR settings. However, because the PIO design parameters are more limited than the core parameters, consider these example design limitations when changing the default parameters:

- The example design supports one I/O space BAR, one 32-bit Memory space (that cannot be the Expansion ROM space), and one 64-bit Memory space. If these limits are exceeded, only the first space of a given type is active—accesses to the other spaces do not result in completions.

- Each space is implemented with a 2 KB memory. If the corresponding BAR is configured to a wider aperture, accesses beyond the 2 KB limit wrap around and overlap the 2 KB memory space.
- The PIO design supports one I/O space BAR, which by default is disabled, but can be changed if desired.



TIP: Although there are limitations to the PIO design, Verilog or VHDL source code is provided so you can tailor the example design to your specific needs.

TLP Data Flow

This section defines the data flow of a TLP successfully processed by the PIO design. For detailed information about the interface signals within the sub-blocks of the PIO design, see [Receive Path, page 273](#) and [Transmit Path, page 274](#).

The PIO design successfully processes single DWORD payload Memory Read and Write TLPs and I/O Read and Write TLPs. Memory Read or Memory Write TLPs of lengths larger than one DWORD are not processed correctly by the PIO design; however, the core *does* accept these TLPs and passes them along to the PIO design. If the PIO design receives a TLP with a length of greater than one DWORD, the TLP is received completely from the core and discarded. No corresponding completion is generated.

Memory and I/O Write TLP Processing

When the Endpoint for PCIe receives a Memory or I/O Write TLP, the TLP destination address and transaction type are compared with the values in the core BARs. If the TLP passes this comparison check, the core passes the TLP to the Receive AXI4-Stream interface of the PIO design. The PIO design handles Memory writes and I/O TLP writes in different ways: the PIO design responds to *I/O writes* by generating a Completion Without Data (cpl), a requirement of the PCI Express specification.

Along with the start of packet, end of packet, and ready handshaking signals, the Receive AXI4-Stream interface also asserts the appropriate (rx_bar_hit[7:0]) m_axis_rx_tuser[9:2] signal to indicate to the PIO design the specific destination BAR that matched the incoming TLP. On reception, the RX State Machine of the PIO design processes the incoming Write TLP and extracts the TLPs data and relevant address fields so that it can pass this along to the internal block RAM write request controller of the PIO design.

Based on the specific rx_bar_hit[7:0] signal asserted, the RX State Machine indicates to the internal write controller the appropriate 2 KB block RAM to use prior to asserting the write enable request. For example, if an Memory Write 32 Request is received by the core targeting BAR0, the core passes the TLP to the PIO design and asserts rx_bar_hit[0]. The RX State machine extracts the lower address bits and the data field from the Memory Write 32 Request TLP and instructs the internal Memory Write controller to begin a write to the block RAM.

In this example, the assertion of `rx_bar_hit[0]` instructed the PIO memory write controller to access `ep_mem1` (which by default represents 2 KB of Mem32 space). While the write is being carried out to the FPGA block RAM, the PIO design RX state machine deasserts the `m_axis_rx_tready`, causing the Receive AXI4-Stream interface to stall receiving any further TLPs until the internal Memory Write controller completes the write to the block RAM. Deasserting `m_axis_rx_tready` in this way is not required for all designs using the core—the PIO design uses this method to simplify the control logic of the RX state machine.

Memory and I/O Read TLP Processing

When the Endpoint for PCIe receives a Memory or I/O Read TLP, the TLP destination address and transaction type are compared with the values programmed in the core BARs. If the TLP passes this comparison check, the core passes the TLP to the Receive AXI4-Stream interface of the PIO design.

Along with the start of packet, end of packet, and ready handshaking signals, the Receive AXI4-Stream interface also asserts the appropriate `rx_bar_hit[7:0]` signal to indicate to the PIO design the specific destination BAR that matched the incoming TLP. On reception, the state machine of the PIO design processes the incoming Read TLP and extracts the relevant TLP information and passes it along to the internal block RAM read request controller of the PIO design.

Based on the specific `rx_bar_hit[7:0]` signal asserted, the RX state machine indicates to the internal read request controller the appropriate 2 KB block RAM to use before asserting the read enable request. For example, if a Memory Read 32 Request TLP is received by the core targeting the default MEM32 BAR2, the core passes the TLP to the PIO design and asserts `rx_bar_hit[0]`. The RX State machine extracts the lower address bits from the Memory 32 Read TLP and instructs the internal Memory Read Request controller to start a read operation.

In this example, the assertion of `rx_bar_hit[0]` instructs the PIO memory read controller to access the Mem32 space, which by default represents 2 KB of memory space. A notable difference in handling of memory write and read TLPs is the requirement of the receiving device to return a Completion with Data TLP in the case of memory or I/O read request.

While the read is being processed, the PIO design RX state machine deasserts `m_axis_rx_tready`, causing the Receive AXI4-Stream interface to stall receiving any further TLPs until the internal Memory Read controller completes the read access from the block RAM and generates the completion. Deasserting `m_axis_rx_tready` in this way is not required for all designs using the core. The PIO design uses this method to simplify the control logic of the RX state machine.

PIO File Structure

[Table 5-2](#) defines the PIO design file structure. Based on the specific core targeted, not all files delivered by the Vivado IDE are necessary, and some files might not be delivered. The major difference is that some of the Endpoint for PCIe solutions use a 64-bit user datapath,

while others use a 128-bit datapath, and the PIO design works with both. The width of the datapath depends on the specific core being targeted.

Table 5-2: PIO Design File Structure

File	Description
pcie_app_7vx.v	Top-level design wrapper
PIO.v	PIO design wrapper
PIO_EP.v	PIO application module
PIO_TO_CTRL.v	PIO turn-off controller module
PIO_RX_ENGINE.v	64-bit/128-bit Receive engine
PIO_TX_ENGINE.v	64-bit/128-bit Transmit engine
PIO_EP_MEM_ACCESS.v	Endpoint memory access module
PIO_EP_MEM.v	Endpoint memory

Three configurations of the PIO design are provided: PIO_64, and PIO_128 with 64-, and 128-bit AXI4-Stream interfaces, respectively. The PIO configuration generated depends on the selected Endpoint type (that is, 7 series FPGAs Integrated Block) as well as the number of PCI Express lanes and the interface width you selected. Table 5-3 identifies the PIO configuration generated based on your selection.

Table 5-3: PIO Configuration

Core	x1	x2	x4	x8
7 Series FPGAs Integrated Block	PIO_64	PIO_64	PIO_64, PIO_128	PIO_64, PIO_128

Figure 5-4 shows the various components of the PIO design, which is separated into four main parts: the TX Engine, RX Engine, Memory Access Controller, and Power Management Turn-Off Controller.

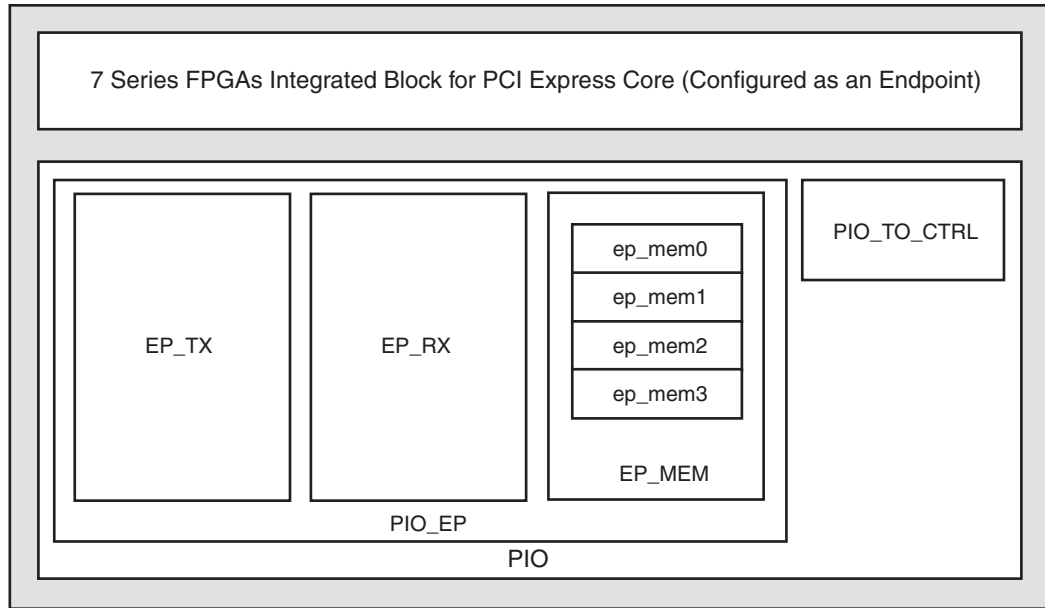


Figure 5-4: PIO Design Components

PIO Application

Figure 5-5, and Figure 5-6 depict 128-bit, and 64-bit PIO application top-level connectivity, respectively. The datapath width (32, 64, or 128 bits) depends on which Endpoint for PCIe core is used. The PIO_EP module contains the PIO FPGA block RAM modules and the transmit and receive engines. The PIO_TO_CTRL module is the Endpoint Turn-Off controller unit, which responds to power turn-off message from the host CPU with an acknowledgment.

The PIO_EP module connects to the Endpoint AXI4-Stream and Configuration (cfg) interfaces.

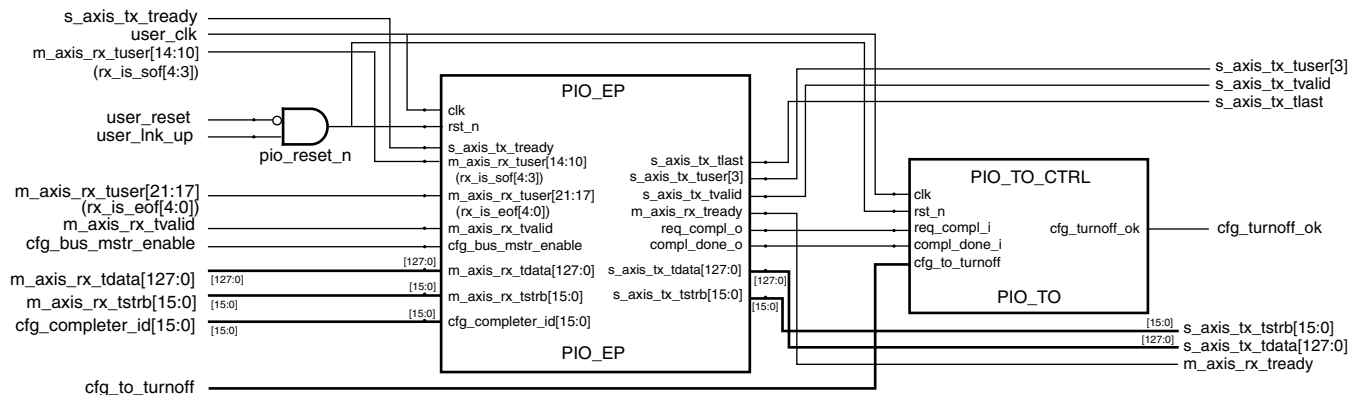


Figure 5-5: PIO 128-Bit Application

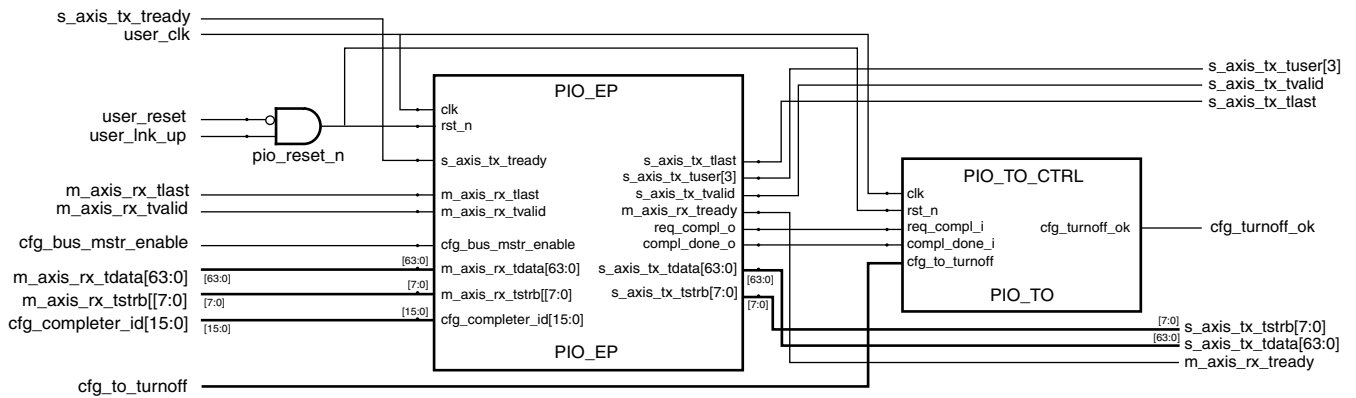
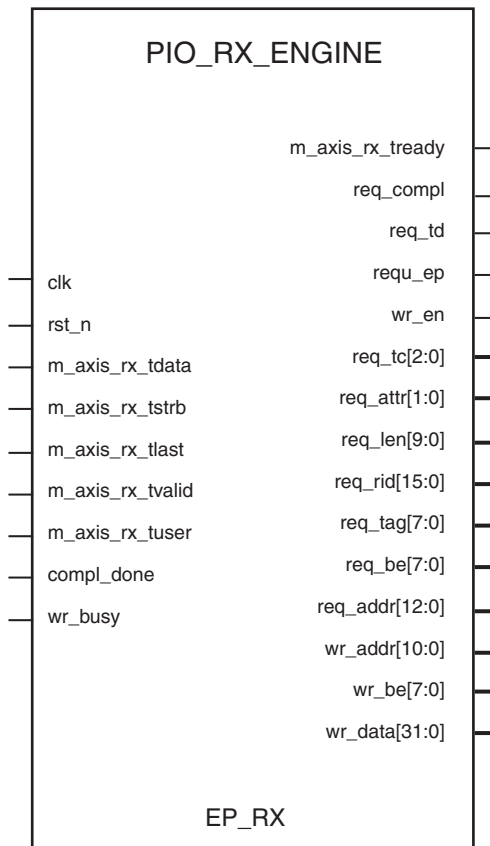


Figure 5-6: PIO 64-Bit Application

Receive Path

Figure 5-7 illustrates the PIO_RX_ENGINE module. The datapath of the module must match the datapath of the core being used. These modules connect with Endpoint for PCIe Receive interface.



UG477_aA_05_020311

Figure 5-7: RX Engine

The PIO_RX_ENGINE module receives and parses incoming read and write TLPs.

The RX engine parses one DWORD 32- and 64-bit addressable memory and I/O read requests. The RX state machine extracts needed information from the TLP and passes it to the memory controller, as defined in [Table 5-4](#).

Table 5-4: RX Engine: Read Outputs

Port	Description
req_compl	Completion Request
req_compl_wd	Completion Request with Data
req_td	Request TLP Digest bit
req_ep	Request Error Poisoning bit
req_tc[2:0]	Request Traffic Class
req_attr[1:0]	Request Attributes
req_len[9:0]	Request Length
req_rid[15:0]	Request Requester Identifier
req_tag[7:0]	Request Tag
req_be[7:0]	Request Byte Enable
req_addr[12:0]	Request Address

The RX Engine parses one DWORD 32- and 64-bit addressable memory and I/O write requests. The RX state machine extracts needed information from the TLP and passes it to the memory controller, as defined in [Table 5-5](#).

Table 5-5: RX Engine: Write Outputs

Port	Description
wr_en	Write received
wr_addr[10:0]	Write address
wr_be[7:0]	Write byte enable
wr_data[31:0]	Write data

The read datapath stops accepting new transactions from the core while the application is processing the current TLP. This is accomplished by `m_axis_rx_tready` deassertion. For an ongoing Memory or I/O Read transaction, the module waits for `compl_done_i` input to be asserted before it accepts the next TLP, while an ongoing Memory or I/O Write transaction is deemed complete after `wr_busy_i` is deasserted.

Transmit Path

[Figure 5-8](#) shows the PIO_TX_ENGINE module. The datapath of the module must match the datapath of the core being used. These modules connect with the core Transmit interface.

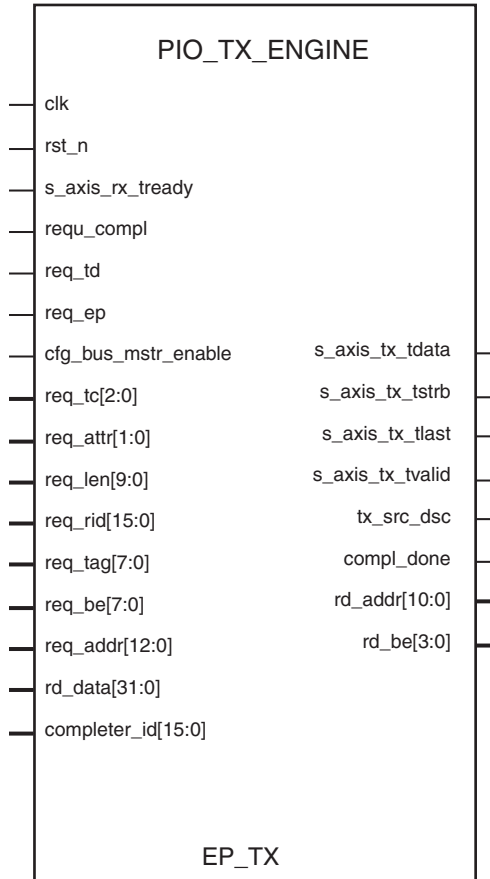


Figure 5-8: TX Engine

The PIO_TX_ENGINE module generates completions for received memory and I/O read TLPs. The PIO design does not generate outbound read or write requests. However, you can add this functionality to further customize the design.

The PIO_TX_ENGINE module generates completions in response to one DWORD 32- and 64-bit addressable memory and I/O read requests. Information necessary to generate the completion is passed to the TX Engine, as defined in Table 5-6.

Table 5-6: TX Engine Inputs

Port	Description
req_compl	Completion request (active-High)
req_td	Request TLP Digest bit
req_ep	Request Error Poisoning bit
req_tc[2:0]	Request Traffic Class
req_attr[1:0]	Request Attributes
req_len[9:0]	Request Length
req_rid[15:0]	Request Requester Identifier

Table 5-6: TX Engine Inputs (Cont'd)

Port	Description
req_tag[7:0]	Request Tag
req_be[7:0]	Request Byte Enable
req_addr[12:0]	Request Address

After the completion is sent, the TX engine asserts the compl_done_i output indicating to the RX engine that it can assert m_axis_rx_tready and continue receiving TLPs.

Endpoint Memory

Figure 5-9 displays the PIO_EP_MEM_ACCESS module. This module contains the Endpoint memory space.

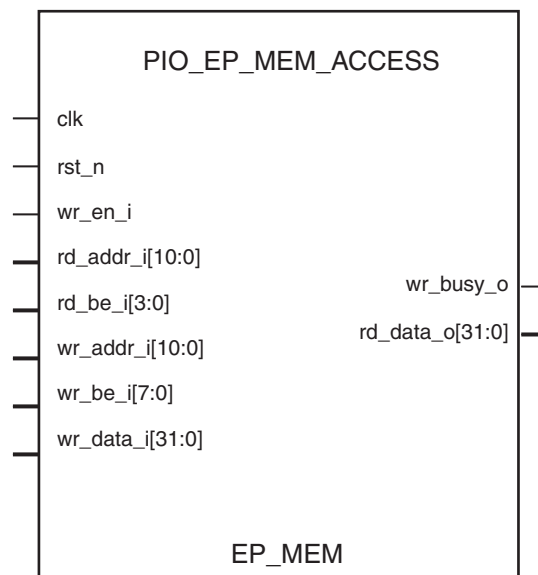


Figure 5-9: EP Memory Access

The PIO_EP_MEM_ACCESS module processes data written to the memory from incoming Memory and I/O Write TLPs and provides data read from the memory in response to Memory and I/O Read TLPs.

The EP_MEM module processes one DWORD 32- and 64-bit addressable Memory and I/O Write requests based on the information received from the RX Engine, as defined in Table 5-7. While the memory controller is processing the write, it asserts the wr_busy_o output indicating it is busy.

Table 5-7: EP Memory: Write Inputs

Port	Description
wr_en_i	Write received
wr_addr_i[10:0]	Write address
wr_be_i[7:0]	Write byte enable
wr_data_i[31:0]	Write data

Both 32- and 64-bit Memory and I/O Read requests of one DWORD are processed based on the inputs defined in Table 5-8. After the read request is processed, the data is returned on rd_data_o[31:0].

Table 5-8: EP Memory: Read Inputs

Port	Description
req_be_i[7:0]	Request Byte Enable
req_addr_i[31:0]	Request Address

PIO Operation

PIO Read Transaction

Figure 5-10 depicts a Back-to-Back Memory Read request to the PIO design. The receive engine deasserts m_axis_rx_tready as soon as the first TLP is completely received. The next Read transaction is accepted only after compl_done_o is asserted by the transmit engine, indicating that Completion for the first request was successfully transmitted.

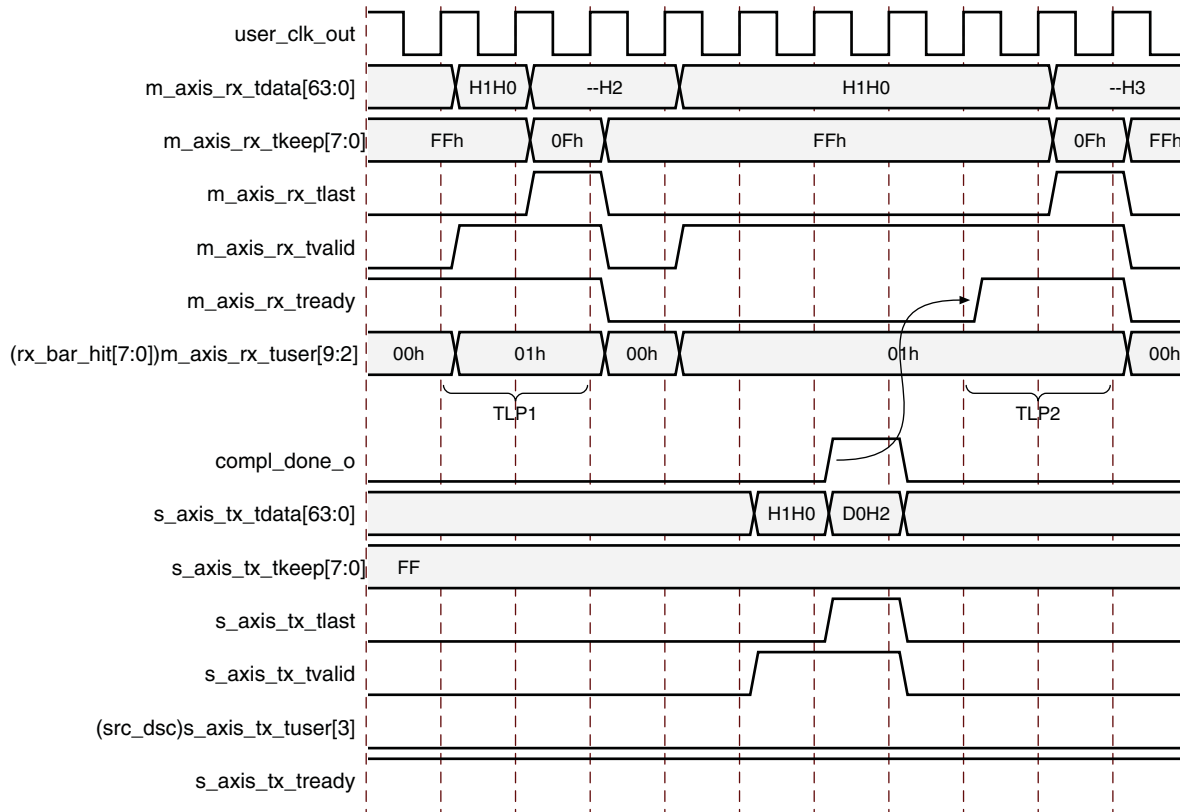


Figure 5-10: Back-to-Back Read Transactions

PIO Write Transaction

Figure 5-11 depicts a back-to-back Memory Write to the PIO design. The next Write transaction is accepted only after `wr_busy_o` is deasserted by the memory access unit, indicating that data associated with the first request was successfully written to the memory aperture.

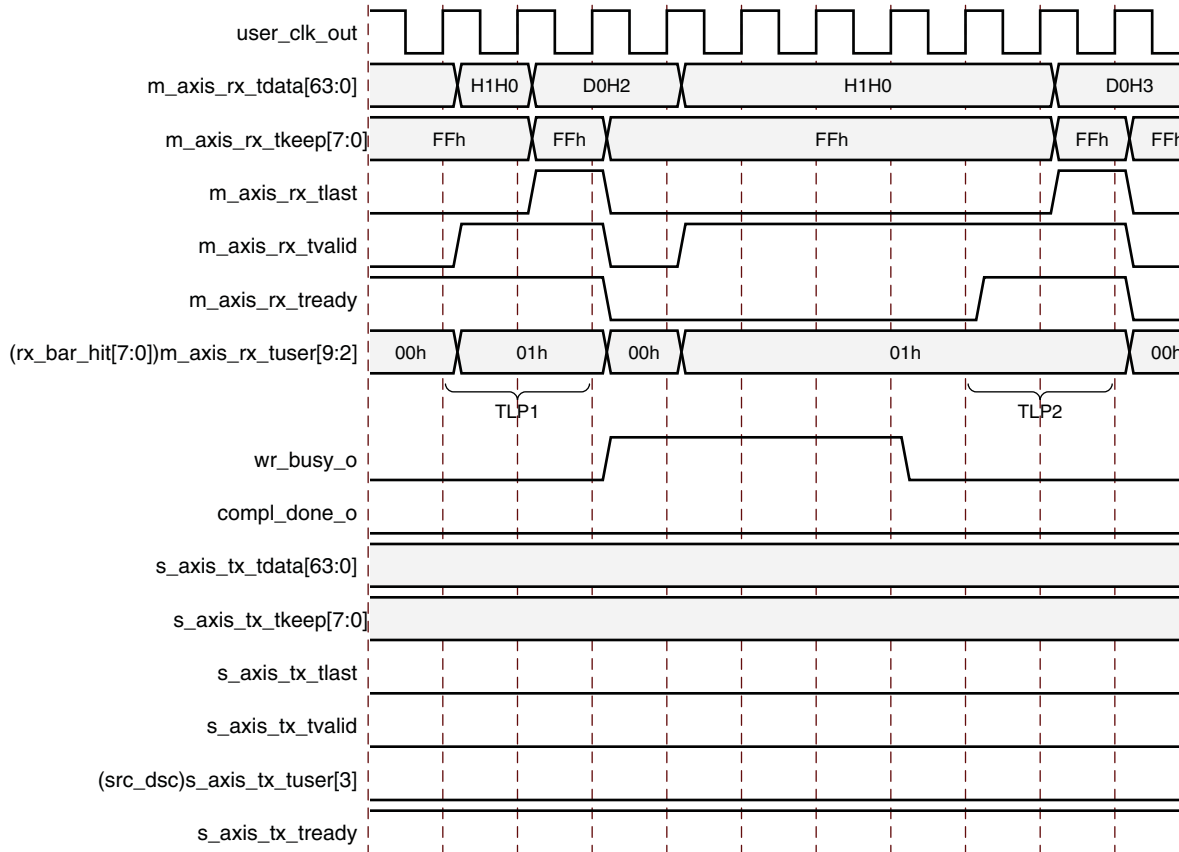


Figure 5-11: Back-to-Back Write Transactions

Device Utilization

Table 5-9 shows the PIO design FPGA resource utilization.

Table 5-9: PIO Design FPGA Resources

Resources	Utilization
LUTs	300
Flip-Flops	500
Block RAMs	4

Summary

The PIO design demonstrates the Endpoint for PCIe and its interface capabilities. In addition, it enables rapid bring-up and basic validation of end user Endpoint add-in card FPGA hardware on PCI Express platforms. You can leverage standard operating system utilities that enable generation of read and write transactions to the target space in the reference design.

Configurator Example Design

The Configurator example design, included with the 7 Series FPGAs Integrated Block for PCI Express® in Root Port configuration generated by the Vivado IDE, is a synthesizable, lightweight design that demonstrates the minimum setup required for the integrated block in Root Port configuration to begin application-level transactions with an Endpoint.

System Overview

PCI Express devices require setup after power-on, before devices in the system can begin application specific communication with each other. At least two devices connected through a PCI Express Link must have their Configuration spaces initialized and be enumerated to communicate.

Root Ports facilitate PCI Express enumeration and configuration by sending Configuration Read (CfgRd) and Write (CfgWr) TLPs to the downstream devices such as Endpoints and Switches to set up the configuration spaces of those devices. When this process is complete, higher-level interactions, such as Memory Reads (MemRd TLPs) and Writes (MemWr TLPs), can occur within the PCI Express System.

The Configurator example design described here performs the configuration transactions required to enumerate and configure the Configuration space of a single connected PCI Express Endpoint and allow application-specific interactions to occur.

Configurator Example Design Hardware

The Configurator example design consists of four high-level blocks:

- **Root Port:** The 7 series FPGAs integrated block in Root Port configuration.
- **Configurator Block:** Logical block which interacts with the configuration space of a PCI Express Endpoint device connected to the Root Port.
- **Configurator ROM:** Read-only memory that sources configuration transactions to the Configurator Block.
- **PIO Master:** Logical block which interacts with the user logic connected to the Endpoint by exchanging data packets and checking the validity of the received data. The data packets are limited to a single DWORD and represent the type of traffic that would be generated by a CPU.

Note: The Configurator Block, Configurator ROM, and Root Port are logically grouped in the RTL code within a wrapper file called the Configurator Wrapper.

The Configurator example design, as delivered, is designed to be used with the PIO Slave example included with Xilinx Endpoint cores and described in [Chapter 6, Test Benches](#). The PIO Master is useful for simple bring-up and debugging, and is an example of how to

interact with the Configurator Wrapper. The Configurator example design can be modified to be used with other Endpoints.

Figure 5-12 shows the various components of the Configurator example design.

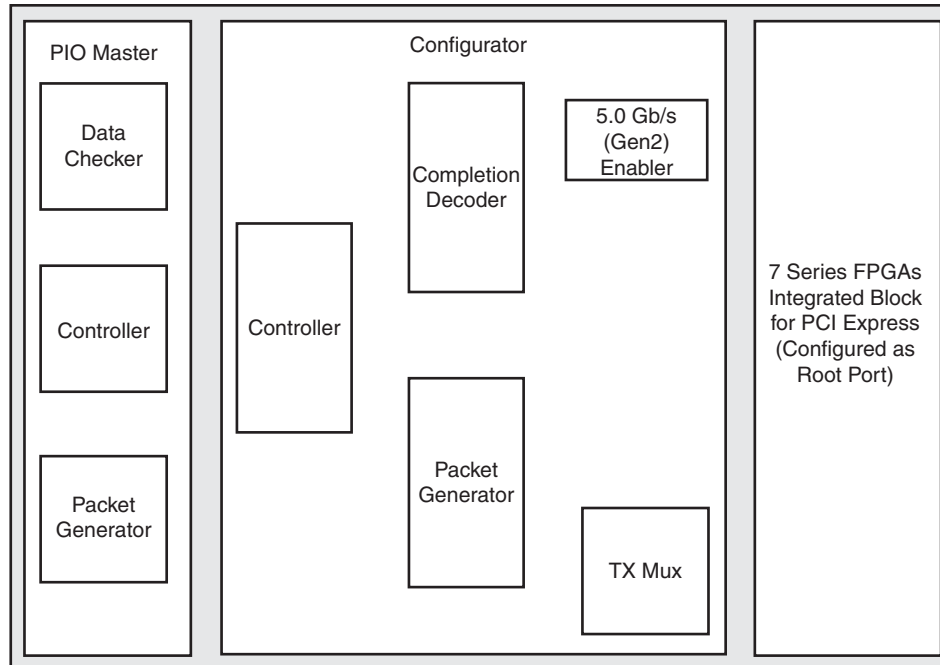


Figure 5-12: Configurator Example Design Components

Figure 5-13 shows how the blocks are connected in an overall system view.

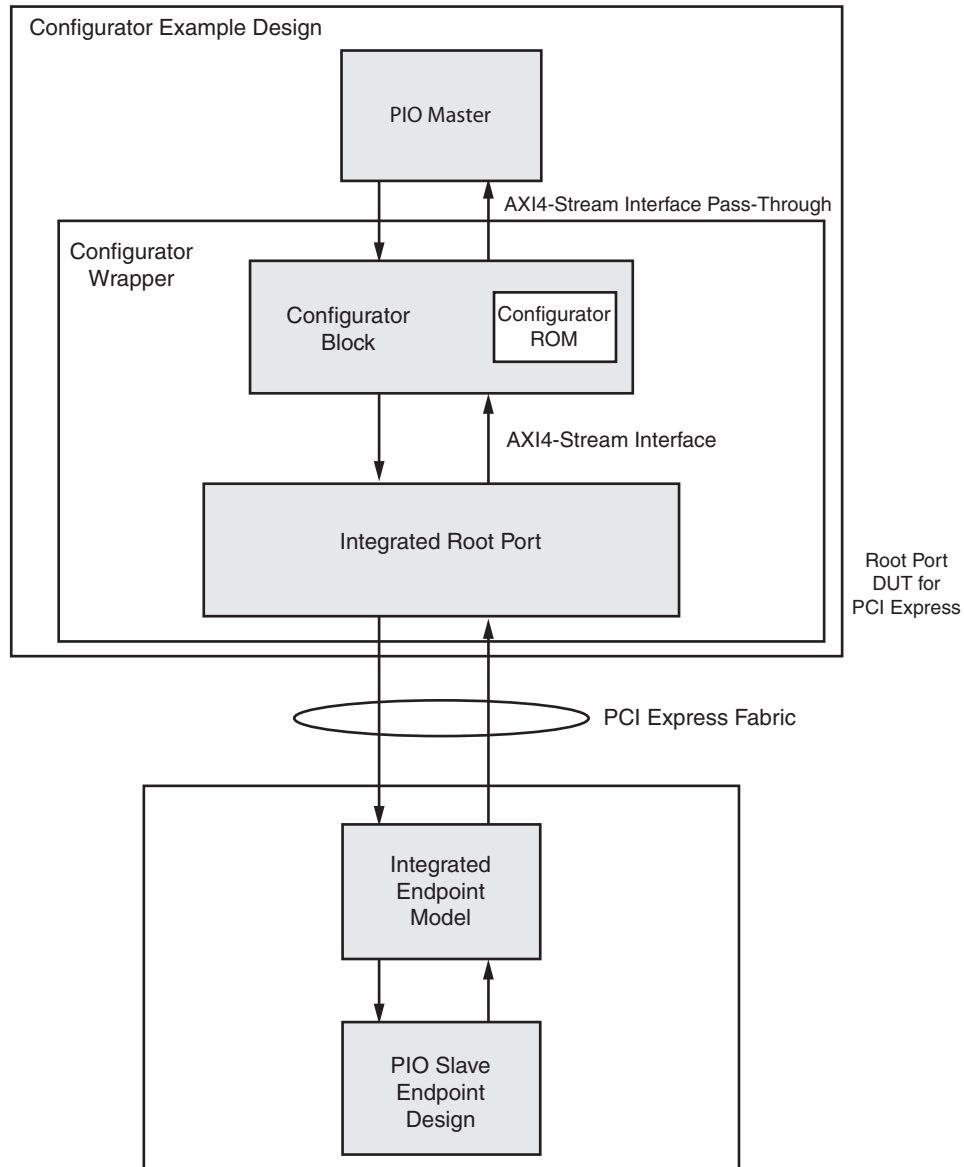


Figure 5-13: Configurator Example Design

Configurator Block

The Configurator Block generates CfgRd and CfgWr TLPs and presents them to the AXI4-Stream interface of the integrated block in Root Port configuration. The TLPs that the Configurator Block generates are determined by the contents of the Configurator ROM.

The generated configuration traffic is predetermined by you to address your particular system requirements. The configuration traffic is encoded in a memory-initialization file (the Configurator ROM) which is synthesized as part of the Configurator. The Configurator Block and the attached Configurator ROM is intended to be usable a part of a real-world embedded design.

The Configurator Block steps through the Configuration ROM file and sends the TLPs specified therein. Supported TLP types are Message, Message w/Data, Configuration Write (Type 0), and Configuration Read (Type 0). For the Configuration packets, the Configurator Block waits for a Completion to be returned before transmitting the next TLP. If the Completion TLP fields do not match the expected values, PCI Express configuration fails. However, the Data field of Completion TLPs is ignored and not checked

Note: There is no completion timeout mechanism in the Configurator Block, so if no Completion is returned, the Configurator Block waits forever.

The Configurator Block has these parameters, which you can modify:

- **TCQ:** Clock-to-out delay modeled by all registers in design.
- **EXTRA_PIPELINE:** Controls insertion of an extra pipeline stage on the Receive AXI4-Stream interface for timing.
- **ROM_FILE:** File name containing configuration steps to perform.
- **ROM_SIZE:** Number of lines in ROM_FILE containing data (equals number of TLPs to send/2).
- **REQUESTER_ID:** Value for the Requester ID field in outgoing TLPs.

When the Configurator Block design is used, all TLP traffic must pass through the Configurator Block. The user design is responsible for asserting the start_config input (for one clock cycle) to initiate the configuration process when user_lnk_up has been asserted by the core. Following start_config, the Configurator Block performs whatever configuration steps have been specified in the Configuration ROM. During configuration, the Configurator Block controls the core AXI4-Stream interface. Following configuration, all AXI4-Stream traffic is routed to/from the user application, which in the case of this example design is the PIO Master. The end of configuration is signaled by the assertion of finished_config. If configuration is unsuccessful for some reason, failed_config is also asserted.

If used in a system that supports PCIe® v2.2 5.0 Gb/s links, the Configurator Block begins its process by attempting to up-train the link from 2.5 Gb/s to 5.0 Gb/s. This feature is enabled depending on the LINK_CAP_MAX_LINK_SPEED parameter on the Configurator Wrapper.

The Configurator does not support the user throttling received data on the Receive AXI4-Stream interface. Because of this, the Root Port inputs which control throttling are not included on the Configurator Wrapper. These signals are m_axis_rx_tready and rx_np_ok. This is a limitation of the Configurator example design and not of the core in Root Port configuration. This means that the user design interfacing with the Configurator example design must be able to accept received data at line rate.

Configurator ROM

The Configurator ROM stores the necessary configuration transactions to configure a PCI Express Endpoint. This ROM interfaces with the Configurator Block to send these transactions over the PCI Express link.

The example ROM file included with this design shows the operations needed to configure a 7 Series FPGAs Integrated Endpoint Block for PCI Express and PIO Example Design.

The Configurator ROM can be customized for other Endpoints and PCI Express system topologies. The unique set of configuration transactions required depends on the Endpoint that interacts with the Root Port. This information can be obtained from the documentation provided with the Endpoint.

The ROM file follows the format specified in the Verilog specification (IEEE 1364-2001) section 17.2.8, which describes using the \$readmemb function to pre-load data into a RAM or ROM. Verilog-style comments are allowed.

The file is read by the simulator or synthesis tool and each memory value encountered is used as a single location in memory. Digits can be separated by an underscore character (`_`) for clarity without constituting a new location.

Each configuration transaction specified uses two adjacent memory locations:

- The first location specifies the header fields. Header fields are on even addresses.
- The second location specifies the 32-bit data payload. (For CfgRd TLPs and Messages without data, the data location is unused but still present.) Data payloads are on odd addresses.

For headers, Messages and CfgRd/CfgWr TLPs use different fields. For all TLPs, two bits specify the TLP type. For Messages, Message Routing and Message Code are specified. For CfgRd/CfgWr TLPs, Function Number, Register Number, and 1st DWORD Byte-Enable are specified. The specific bit layout is shown in the example ROM file.

PIO Master

The PIO Master demonstrates how a user application design might interact with the Configurator Block. It directs the Configurator Block to bring up the link partner at the appropriate time, and then (after successful bring-up) generates and consumes bus traffic. The PIO Master performs writes and reads across the PCI Express Link to the PIO Slave Example Design (from the Endpoint core) to confirm basic operation of the link and the Endpoint.

The PIO Master waits until `user_Ink_up` is asserted by the Root Port. It then asserts `start_config` to the Configurator Block. When the Configurator Block asserts `finished_config`, the PIO Master writes and reads to/from each BAR in the PIO Slave design. If the readback data matches what was written, the PIO Master asserts its

`pio_test_finished` output. If there is a data mismatch or the Configurator Block fails to configure the Endpoint, the PIO Master asserts its `pio_test_failed` output. The PIO Master operation can be restarted by asserting its `pio_test_restart` input for one clock cycle.

Configurator File Structure

Table 5-10 defines the Configurator example design file structure.

Table 5-10: Example Design File Structure

File	Description
<code>xilinx_pcie_2_1_rport_7x.v</code>	Top-level wrapper file for Configurator example design
<code>cgator_wrapper.v</code>	Wrapper for Configurator and Root Port
<code>cgator.v</code>	Wrapper for Configurator sub-blocks
<code>cgator_cpl_decoder.v</code>	Completion decoder
<code>cgator_pkt_generator.v</code>	Configuration TLP generator
<code>cgator_tx_mux.v</code>	Transmit AXI4-Stream muxing logic
<code>cgator_controller.v</code>	Configurator transmit engine
<code>cgator_cfg_rom.data</code>	Configurator ROM file
<code>pio_master.v</code>	Wrapper for PIO Master
<code>pio_master_controller.v</code>	TX and RX Engine for PIO Master
<code>pio_master_checker.v</code>	Checks incoming User-Application Completion TLPs
<code>pio_master_pkt_generator.v</code>	Generates User-Application TLPs

The hierarchy of the Configurator example design is:

```
xilinx_pcie_2_1_rport_7x
```

- `cgator_wrapper`
 - `pcie_2_1_rport_7x` (in the source directory)
This directory contains all the source files for the core in Root Port Configuration.
 - `cgator`
 - `cgator_cpl_decoder`
 - `cgator_pkt_generator`
 - `cgator_tx_mux`
 - `cgator_controller`
This directory contains `<cgator_cfg_rom.data>` (specified by `ROM_FILE`).
- `pio_master`
 - `pio_master_controller`

- `pio_master_checker`
- `pio_master_pkt_generator`

Note: `cgator_cfg_rom.data` is the default name of the ROM data file. You can override this by changing the value of the `ROM_FILE` parameter.

Summary

The Configurator example design is a synthesizable design that demonstrates the capabilities of the 7 Series FPGAs Integrated Block for PCI Express when configured as a Root Port. The example is provided through the Vivado IDE and uses the Endpoint PIO example as a target for PCI Express enumeration and configuration. The design can be modified to target other Endpoints by changing the contents of a ROM file.

Generating the Core

To generate a core using the default values in the Vivado IDE, follow these steps:

1. Start the Vivado IP catalog.
2. Select **File > New Project**.
3. Enter a project name and location, then click **Next**. This example uses `project_name.cpg` and `project_dir`.
4. In the New Project wizard pages, *do not* add sources, existing IP, or constraints.
5. From the Part tab (Figure 5-14), select these options:
 - **Family:** Virtex7
 - **Device:** xc7v485t
 - **Package:** ffg1157
 - **Speed Grade:** -3

Note: If an unsupported silicon device is selected, the core is grayed out (unavailable) in the list of cores.

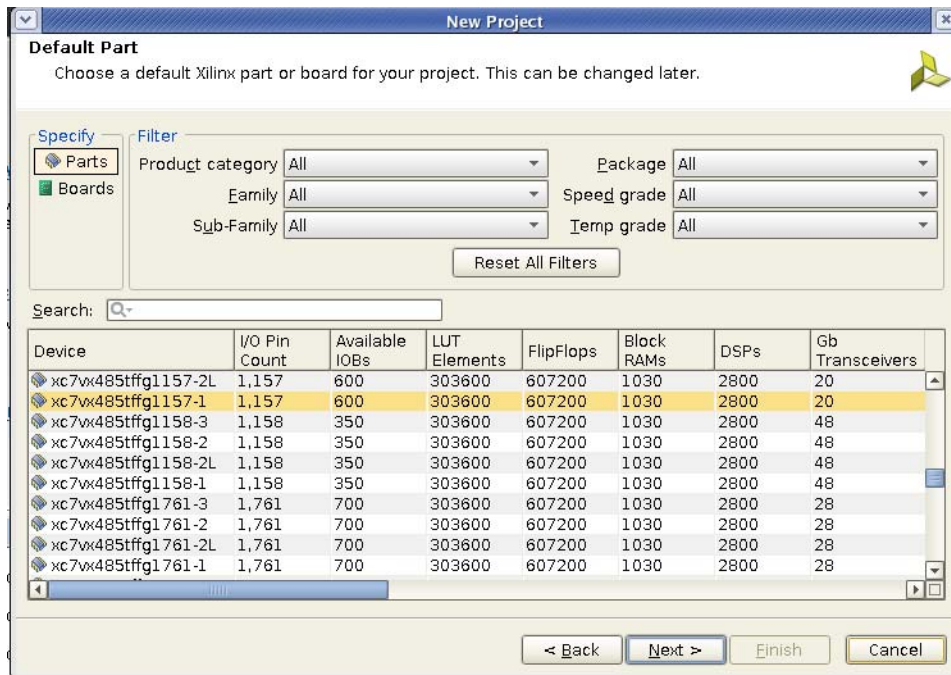


Figure 5-14: Default Part

- In the final project summary page, click **OK**.
- In the Vivado IP catalog, expand **Standard Bus Interfaces > PCI Express**, and double-click the **7 Series Integrated Block for PCI Express** core to display the Customize IP dialog box.
- In the Component Name field, enter a name for the core.

Note: <component_name> is used in this example.

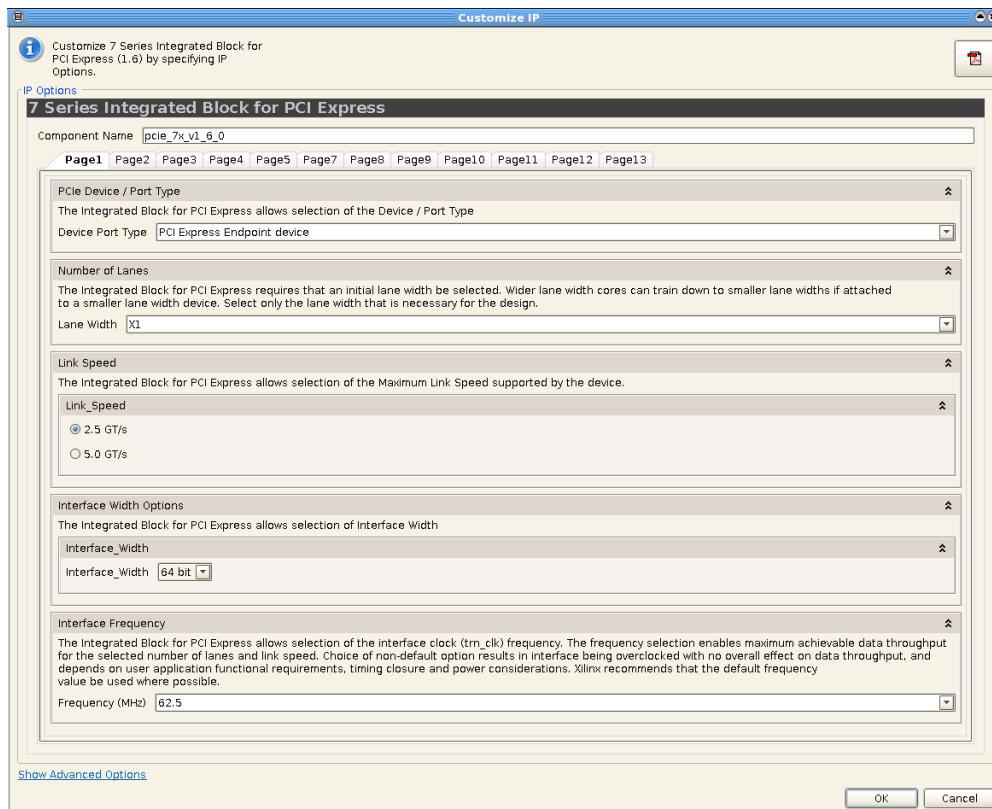


Figure 5-15: Integrated Block Core Configuration Parameters

9. From the Device/Port Type drop-down menu, select the appropriate device/port type of the core (**Endpoint** or **Root Port**).
10. Click **OK** to generate the core using the default parameters.
11. In the Design sources tab, right-click the XCI file, and select **Generate**.
12. Select **All** to generate the core with the default parameters.

Simulating the Example Design

The example design provides a quick way to simulate and observe the behavior of the core for PCI Express Endpoint and Root Port Example design projects generated using the Vivado Design Suite.

The currently supported simulators are:

- Vivado simulator (default)
- ModelSim QuestaSim
 - Note:** ModelSim PE 10.2a is not supported.
- Cadence IES
- Synopsys VCS

The simulator uses the example design test bench and test cases provided along with the example design for both of the design configurations.

For any project (PCI Express core) generated out of the box, the simulation using the default Vivado simulator can be run as follows:

1. In the Sources Window, right-click the example project file (.xci), and select **Open IP Example Design**.

The example project is created.

2. In the Flow Navigator (left-hand pane), under Simulation, right-click **Run Simulation** and select **Run Behavioral Simulation**.



IMPORTANT: *The post-synthesis and post-implementation simulation options are not supported for the PCI Express block.*

After the Run Behavioral Simulation Option is running, you can observe the compilation and elaboration phase through the activity in the **Tcl Console**, and in the Simulation tab of the **Log Window**.

3. In Tcl Console, type the `run all` command and press **Enter**. This runs the complete simulation as per the test case provided in example design test bench.

After the simulation is complete, the result can be viewed in the **Tcl Console**.

In Vivado IDE, change the simulation settings as follows:

1. In the Flow Navigator, under Simulation, select **Simulation Settings**.

2. Set the **Target simulator** to **QuestaSim/ModelSim Simulator, Incisive Enterprise Simulator (IES)** or **Verilog Compiler Simulator**.
3. In the simulator tab, select **Run Simulation > Run behavioral simulation**.
4. When prompted, click **Yes** to change and then run the simulator.



IMPORTANT: *Simulation is not supported for configurations with the Silicon Revision option set to Initial_ES. Only implementation is supported. If simulation is performed, it results in DRP monitor errors.*

Endpoint Configuration

The simulation environment provided with the 7 Series FPGAs Integrated Block for PCI Express core in Endpoint configuration performs simple memory access tests on the PIO example design. Transactions are generated by the Root Port Model and responded to by the PIO example design.

- PCI Express transaction layer packets (TLPs) are generated by the test bench transmit user application (`pci_exp_usrapp_tx`). As it transmits TLPs, it also generates a log file, `tx.dat`.
- PCI Express TLPs are received by the test bench receive user application (`pci_exp_usrapp_rx`). As the user application receives the TLPs, it generates a log file, `rx.dat`.

For more information about the test bench, see [Root Port Model Test Bench for Endpoint in Chapter 6](#).

Synthesizing and Implementing the Example Design

To run synthesis and implementation on the example design:

1. Right-click the XCI file, and select **Open IP example design**.

A new Vivado IDE window opens with the project name `example_project` within the project directory.

2. In the Flow Navigator, click **Run Synthesis** and **Run Implementation**.



TIP: *Click **Run Implementation** to run both synthesis and implementation. Click **Generate Bitstream** to run synthesis, implementation, and then generate the bitstream.*

Directory and File Contents

The 7 Series FPGAs Integrated Block for PCI Express example design directories and associated files are defined in the sections that follow. When core is generated in Vivado IDE, the directory structure generated differs for Endpoint design and Root port design, as explained below.

The project name and the component name can be customized; however, the default project name is `project_1` and the default component name is `pcie_7x_0`.

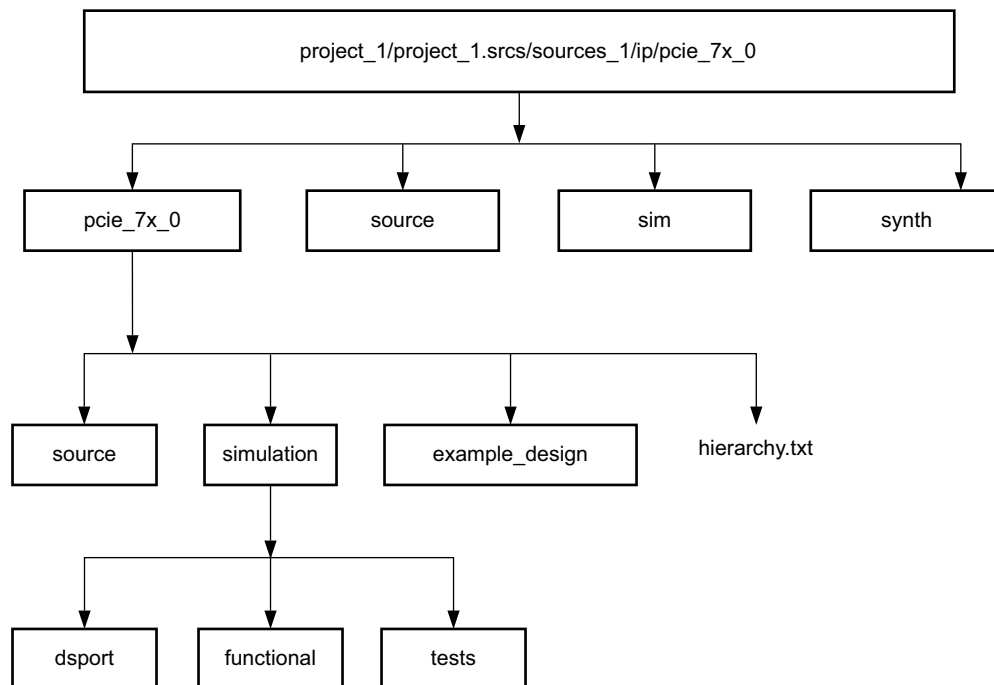


IMPORTANT: *The default project and component names are used in this explanation of the example design.*

Endpoint Solution

The Endpoint Solution directory structure is shown [Figure 5-16](#).

Note: The files indicated by [vhd] are also generated with the VHDL version of the core, with a `.vhd` extension.



X13318

Figure 5-16: Example Design: Endpoint Solution directory

project_1/project_1.src/sources_1/ip/pcie_7x_0

This is the main directory for all directories. The name of the directory is `project_1`, by default.

pcie_7x_0

This is the directory created based on the component name specified. By default this directory is `pcie_7x_0`. This directory consists of three subdirectories: `source`, `simulation` and `example_design`. These are described in detail in the following sections.

source

This directory contains the core top-level module definition. This module is instantiated in the Vivado Design Suite-generated top-level wrapper file, which exists in the `sim` and `synth` directories, in parallel to this directory.

File name (Verilog format): `pcie_7x_<version_number>_top.v`.
For example: `pcie_7x_v2_1_top.v`.

File name (VHDL format): `pcie_7x_<version_number>_top.vhd`.
For example: `pcie_7x_v2_1_top.vhd`.



IMPORTANT: *The parameters listed in the top-level file are being driven directly by the Vivado Design Suite generated top-level synthesis wrapper using the customization in the Vivado IDE parameters. However, the parameters from the top-level file are not passed to the `core_top.v/core_top.vhd` module. Instead, the core top module is automatically assigned the parameters from the Vivado IDE. To check that the proper parameter values are being driven, refer to the `core_top` module.*

sim

This directory contains the Vivado Design Suite-generated top-level wrapper file used for simulation. The file name is based on the component name you have specified. The default name is `pcie_7x_0.v`. This file contains the core top-level module definition which instantiates the module `pcie_7x_<version_number>_top.v` or `pcie_7x_<version_number>_top.vhd`.

synth

This directory contains the Vivado Design Suite-generated top-level wrapper file used for synthesis. The file name is based the component name you have specified. The default name is `pcie_7x_0.v`. This file contains the core top-level module definition which instantiates the module `pcie_7x_<version_number>_top.v` or `pcie_7x_<version_number>_top.vhd`.

pcie_7x_0/source

This directory contains all source files for the PCI Express core.

Table 5-11: pcie_7x_0/source Directory

Name	Description
pcie_7x_0_core_top.v [vhd]	PCIe core top file. Contains the instances of pcie_top and gt_top.
pcie_7x_0_axi_basic_rx_null_gen.v [vhd]	AXI4-Stream interface modules for the 7 series FPGA Integrated Block for PCI Express.
pcie_7x_0_axi_basic_rx_pipeline.v [vhd]	
pcie_7x_0_axi_basic_rx.v [vhd]	
pcie_7x_0_axi_basic_top.v [vhd]	
pcie_7x_0_axi_basic_tx_pipeline.v [vhd]	
pcie_7x_0_axi_basic_tx_thrtl_ctl.v [vhd]	
pcie_7x_0_axi_basic_tx.v [vhd]	
pcie_7x_0_gt_top.v [vhd]	GTX and GTP Wrapper files for the 7 series FPGA Integrated Block for PCI Express.
pcie_7x_0_gtp_pipe_drp.v	
pcie_7x_0_gtp_pipe_rate.v	
pcie_7x_0_gtp_pipe_reset.v	
pcie_7x_0_gt_rx_valid_filter_7x.v	
pcie_7x_0_gt_wrapper.v	
pcie_7x_0_pipe_clock.v	
pcie_7x_0_pipe_drp.v	
pcie_7x_0_pipe_eq.v	
pcie_7x_0_pipe_rate.v	
pcie_7x_0_pipe_reset.v	
pcie_7x_0_pipe_sync.v	
pcie_7x_0_pipe_user.v	
pcie_7x_0_pipe_wrapper.v	
pcie_7x_0_qpll_drp.v	
pcie_7x_0_qpll_reset.v	
pcie_7x_0_qpll_wrapper.v	
pcie_7x_0_rxeq_scan.v	
pcie_7x_0_pcie_bram_7x.v [vhd]	Block RAM modules for the 7 series FPGA Integrated Block for PCI Express.
pcie_7x_0_pcie_brams_7x.v [vhd]	
pcie_7x_0_pcie_bram_top_7x.v [vhd]	
pcie_7x_0_pcie_top.v [vhd]	PCIe core wrapper files.
pcie_7x_0_pcie_7x.v [vhd]	

Table 5-11: pcie_7x_0/source Directory (Cont'd)

Name	Description
pcie_7x_0_pcie_pipe_lane.v [vhd]	PIPE module for the 7 series FPGA integrated Block for PCIe.
pcie_7x_0_pcie_pipe_misc.v [vhd]	
pcie_7x_0_pcie_pipe_pipeline.v [vhd]	
pcie_7x_0_clocks.xdc	Contains all clock constraints required for the Out Of Context (OOC) flow
pcie_7x_0_ooc.xdc	Out-of-context XDC file.
pcie_7x_0-PCIEX0Y0.xdc	PCIe core-level XDC file.

pcie_7x_0/example_design

This directory contains all the example design files required for the example_design.

Table 5-12: pcie_7x_0/example_design Directory

Name	Description
EP_MEM.v [vhd]	PIO Example design files
pcie_app_7x.v [vhd]	
PIO_EP_MEM_ACCESS.v [vhd]	
PIO_EP.v [vhd]	
PIO_RX_ENGINE.v [vhd]	
PIO_TO_CTRL.v [vhd]	
PIO_TX_ENGINE.v [vhd]	
PIO.v [vhd]	
xilinx_pcie_2_1_ep_7x.v [vhd]	Xilinx example design top-level file. It contains the instances of the pipe_clock block PIO design top module and core top module (wrapper generated by Vivado Design Suite).
xilinx_pcie_7x_ep_x8g2.xdc	XDC file for example design. The file name reflects the link width and speed configured in the Vivado IDE.

pcie_7x_0/simulation

This directory contains all the simulation related files. This directory consists of three subdirectories: dsport, functional and tests.

pcie_7x_0/hierarchy.txt

This text file explains the hierarchy of the entire example design with the names of the files down the hierarchy.

pcie_7x_0/simulation/dsport

This directory contains the dsport model files.

Table 5-13: pcie_7x_0/simulation/dsport Directory

Name	Description
pcie_2_1_rport_7x.v [vhd]	Root port models files
pcie_axi_trn_bridge.v [vhd]	
pci_exp_expect_tasks.vh	
pci_exp_usrapp_cfg.v [vhd]	
pci_exp_usrapp_com.v [vhd]	
pci_exp_usrapp_pl.v [vhd]	
pci_exp_usrapp_rx.v [vhd]	
pci_exp_usrapp_tx.v [vhd]	
xilinx_pcie_2_1_rport_7x.v [vhd]	

pcie_7x_0/simulation/functional

This directory consists of the top-level test bench and clock generation modules.

Table 5-14: pcie_7x_0/simulation/functional Directory

Name	Description
board_common.vh	Contains test bench definitions.
board.v [vhd]	Top-level test bench file.
sys_clk_gen_ds.v [vhd]	System differential clock source.
sys_clk_gen.v [vhd]	System clock source.

pcie_7x_0/simulation/tests

This directory consists of the test cases.

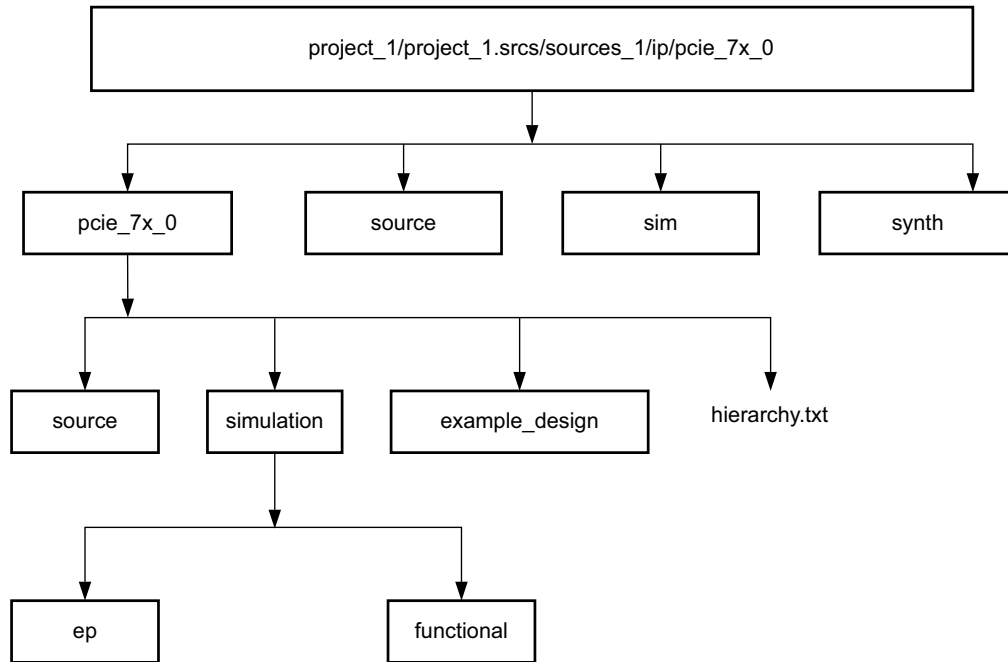
Table 5-15: pcie_7x_0/simulation/tests Directory

Name	Description
sample_tests.vh	Test definition for example test bench.
tests.vh	

Root Port Solution

The Root Port Solution directory structure is shown in [Figure 5-17](#). The file directory structure is same as Endpoint solution except the simulation directory.

Note: The files indicated by [vhd] are also generated with the VHDL version of the core, with a .vhd extension.



X13319

Figure 5-17: Example Design: Root Port Solution Directory Structure

project_1/project_1.src/sources_1/ip/pcie_7x_0

This is the main directory for all directories. The name of the directory is `project_1`, by default.

pcie_7x_0

This directory is created based on the component name specified. By default this directory is `pcie_7x_0`. It consists of three subdirectories: `source`, `simulation` and `example_design`. These are described in detail in the following sections.

source

This directory contains the core top-level module definition. This module is instantiated in the Vivado Design Suite-generated top-level wrapper file, which exists in the `sim` and `synth` directories, in parallel to this directory.

File name (Verilog format): `pcie_7x_<version_number>_top.v`.

For example: `pcie_7x_v2_1_top.v`.

File name (VHDL format): `pcie_7x_<version_number>_top.vhd`.

For example: `pcie_7x_v2_1_top.vhd`.



IMPORTANT: *The parameters listed in the top-level file are being driven directly by the Vivado Design Suite generated top-level synthesis wrapper as per the customization in the Vivado IDE parameters. However, the parameters from the top-level file are not passed to the `core_top.v/core_top.vhd` module. Instead, the core top module is automatically assigned the parameters as per the Vivado IDE parameters. To check that the proper parameter values are being driven, refer to the `core_top` module.*

sim

This directory contains the Vivado Design Suite-generated top-level wrapper file used for simulation. The file name is based on the component name you have specified. The default name is `pcie_7x_0.v`. This file contains the core top-level module definition which instantiates the module `pcie_7x_<version_number>_top.v` or `pcie_7x_<version_number>_top.vhd`.

synth

This directory contains the Vivado Design Suite-generated top-level wrapper file used for synthesis. The file name is based the component name you have specified. The default name is `pcie_7x_0.v`. This file contains the core top-level module definition which instantiates the module `pcie_7x_<version_number>_top.v` or `pcie_7x_<version_number>_top.vhd`.

pcie_7x_0/source

This directory contains all source files for the PCI Express core.

Table 5-16: **pcie_7x_0/source Directory**

Name	Description
<code>pcie_7x_0_core_top.v [vhd]</code>	PCIe core top file. Contains the instances of <code>pcie_top</code> and <code>gt_top</code> .
<code>pcie_7x_0_axi_basic_rx_null_gen.v [vhd]</code>	AXI4-Stream interface modules for the 7 series FPGA Integrated Block for PCI Express.
<code>pcie_7x_0_axi_basic_rx_pipeline.v [vhd]</code>	
<code>pcie_7x_0_axi_basic_rx.v [vhd]</code>	
<code>pcie_7x_0_axi_basic_top.v [vhd]</code>	
<code>pcie_7x_0_axi_basic_tx_pipeline.v [vhd]</code>	
<code>pcie_7x_0_axi_basic_tx_thrtl_ctl.v [vhd]</code>	
<code>pcie_7x_0_axi_basic_tx.v [vhd]</code>	

Table 5-16: **pcie_7x_0/source Directory (Cont'd)**

Name	Description
pcie_7x_0_gt_top.v [vhd]	GTX and GTP Wrapper files for the 7 series FPGA Integrated Block for PCI Express.
pcie_7x_0_gtp_pipe_drp.v	
pcie_7x_0_gtp_pipe_rate.v	
pcie_7x_0_gtp_pipe_reset.v	
pcie_7x_0_gt_rx_valid_filter_7x.v	
pcie_7x_0_gt_wrapper.v	
pcie_7x_0_pipe_clock.v	
pcie_7x_0_pipe_drp.v	
pcie_7x_0_pipe_eq.v	
pcie_7x_0_pipe_rate.v	
pcie_7x_0_pipe_reset.v	
pcie_7x_0_pipe_sync.v	
pcie_7x_0_pipe_user.v	
pcie_7x_0_pipe_wrapper.v	
pcie_7x_0_qpll_drp.v	
pcie_7x_0_qpll_reset.v	
pcie_7x_0_qpll_wrapper.v	
pcie_7x_0_rxeq_scan.v	
pcie_7x_0_pcie_bram_7x.v [vhd]	Block RAM modules for the 7 series FPGA Integrated Block for PCI Express.
pcie_7x_0_pcie_brams_7x.v [vhd]	
pcie_7x_0_pcie_bram_top_7x.v [vhd]	
pcie_7x_0_pcie_top.v [vhd]	PCIe core wrapper files.
pcie_7x_0_pcie_7x.v [vhd]	
pcie_7x_0_pcie_pipe_lane.v [vhd]	PIPE module for the 7 series FPGA integrated Block for PCI Express.
pcie_7x_0_pcie_pipe_misc.v [vhd]	
pcie_7x_0_pcie_pipe_pipeline.v [vhd]	
pcie_7x_0_clocks.xdc	Contains all clock constraints required for the out-of-context (OOC) flow.
pcie_7x_0_ooc.xdc	OOC XDC file.
pcie_7x_0-PCIE_X0Y0.xdc	PCIe core-level XDC file.

pcie3_7x_0/example_design

This directory contains all the example design files required for the example_design.

Table 5-17: pcie_7x_0/example_design Directory

Name	Description
cgator_cfg_rom.data	Configurator block files.
cgator_controller.v [vhd]	
cgator_cpl_decoder.v [vhd]	
cgator_gen2_enabler.v [vhd]	
cgator_pkt_generator.v [vhd]	
cgator_tx_mux.v [vhd]	
cgator.v [vhd]	
cgator_wrapper.v [vhd]	
pio_master_checker.v [vhd]	PIO example design files.
pio_master_controller.v [vhd]	
pio_master_pkt_generator.v [vhd]	
pio_master.v [vhd]	
xilinx_pcie_2_1_rport_7x.v [vhd]	Example design top-level file. This consists of the instances of PIO master and the core top file.
xilinx_pcie_7x_rp_x8g2.xdc	XDC file for example design. The file name reflects the link width and speed configured in the Vivado IDE.

pcie_7x_0/simulation/ep

This directory contains the Endpoint (EP) model files.

Table 5-18: pcie_7x_0/simulation/ep Directory

Name	Description
EP_MEM.v [vhd]	EP model files.
pcie_2_1_ep_7x.v [vhd]	
pcie_app_7vx.v[vhd]	
PIO_EP_MEM_ACCESS.v[vhd]	
PIO_EP.v[vhd]	
PIO_RX_ENGINE.v[vhd]	
PIO_TO_CTRL.v[vhd]	
PIO_TX_ENGINE.v[vhd]	
PIO.v[vhd]	
xilinx_pcie_2_1_ep_7x.v[vhd]	EP model top-level module.

pcie_7x_0/simulation/functional

This directory consists of the top-level test bench and clock generation modules.

Table 5-19: **pcie_7x_0/simulation/functional** Directory

Name	Description
board.v[vhd]	Top-level test bench file.
sys_clk_gen.v[vhd]	System clock generator file.

Test Benches

This chapter contains information about the test benches provided in the Vivado® Design Suite environment.

Root Port Model Test Bench for Endpoint

The PCI Express® Root Port Model is a robust test bench environment that provides a test program interface that can be used with the provided PIO design or with a user design. The purpose of the Root Port Model is to provide a source mechanism for generating downstream PCI Express TLP traffic to stimulate your design, and a destination mechanism for receiving upstream PCI Express TLP traffic from your design in a simulation environment.

Source code for the Root Port Model is included to provide the model for a starting point for your test bench. All the significant work for initializing configuration space, creating TLP transactions, generating TLP logs, and providing an interface for creating and verifying tests are complete, allowing you to dedicate efforts to verifying the correct functionality of the design rather than spending time developing an Endpoint core test bench infrastructure.

The Root Port Model consists of:

- Test Programming Interface (TPI), which allows you to stimulate the Endpoint device for the model
- Example tests that illustrate how to use the test program TPI.
- Verilog or VHDL source code for all Root Port Model components, which allow you to customize the test bench.

Figure 6-1 illustrates the Root Port Model coupled with the PIO design.

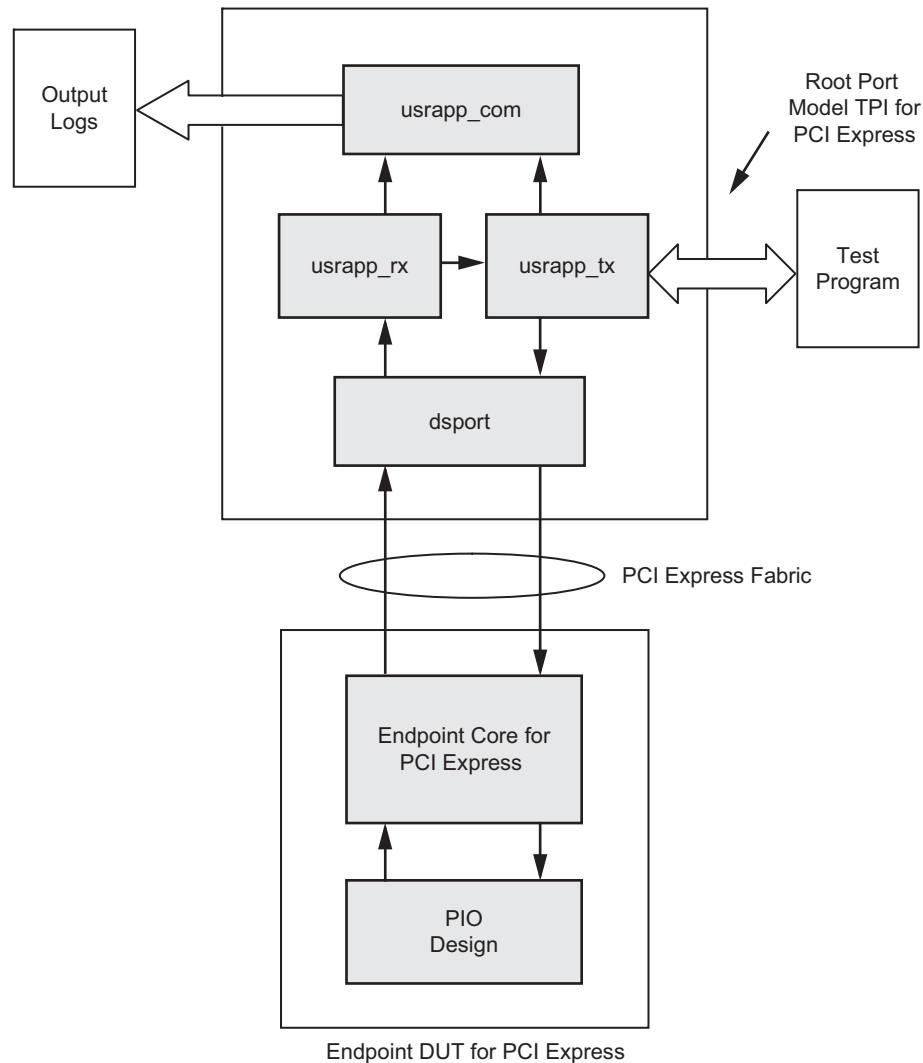


Figure 6-1: Root Port Model and Top-Level Endpoint

Architecture

The Root Port Model consists of these blocks, illustrated in [Figure 6-1](#):

- dsport (Root Port)
- usrapp_tx
- usrapp_rx
- usrapp_com (Verilog only)

The `usrapp_tx` and `usrapp_rx` blocks interface with the `dsport` block for transmission and reception of TLPs to/from the Endpoint Design Under Test (DUT). The Endpoint DUT consists of the Endpoint for PCIe and the PIO design (displayed) or customer design.

The `usrapp_tx` block sends TLPs to the `dsport` block for transmission across the PCI Express Link to the Endpoint DUT. In turn, the Endpoint DUT device transmits TLPs across the PCI Express Link to the `dsport` block, which are subsequently passed to the `usrapp_rx` block. The `dsport` and `core` are responsible for the data link layer and physical link layer processing when communicating across the PCI Express logic. Both `usrapp_tx` and `usrapp_rx` utilize the `usrapp_com` block for shared functions, for example, TLP processing and log file outputting. Transaction sequences or test programs are initiated by the `usrapp_tx` block to stimulate the logic interface of the Endpoint device. TLP responses from the Endpoint device are received by the `usrapp_rx` block. Communication between the `usrapp_tx` and `usrapp_rx` blocks allow the `usrapp_tx` block to verify correct behavior and act accordingly when the `usrapp_rx` block has received TLPs from the Endpoint device.

Simulating the Example Design

To simulate the design, see [Simulating the Example Design, page 289](#).

Scaled Simulation Timeouts

The simulation model of the 7 Series FPGAs Integrated Block for PCI Express uses scaled down times during link training to allow for the link to train in a reasonable amount of time during simulation. According to the *PCI Express Specification, rev. 2.1* [Ref 2], there are various timeouts associated with the link training and status state machine (LTSSM) states. The 7 series FPGAs integrated block scales these timeouts by a factor of 256 in simulation, except in the `Recovery Speed_1` LTSSM state, where the timeouts are not scaled.

Test Selection

[Table 6-1](#) describes the tests provided with the Root Port Model, followed by specific sections for VHDL and Verilog test selection.

Table 6-1: Root Port Model Provided Tests

Test Name	Test in VHDL/Verilog	Description
<code>sample_smoke_test0</code>	Verilog and VHDL	Issues a PCI Type 0 Configuration Read TLP and waits for the completion TLP; then compares the value returned with the expected Device/Vendor ID value.

Table 6-1: Root Port Model Provided Tests (Cont'd)

Test Name	Test in VHDL/Verilog	Description
sample_smoke_test1	Verilog	<p>Performs the same operation as sample_smoke_test0 but makes use of expectation tasks. This test uses two separate test program threads:</p> <ul style="list-style-type: none"> the first thread issues the PCI Type 0 Configuration Read TLP, and the second thread issues the Completion with Data TLP expectation task. <p>This test illustrates the form for a parallel test that uses expectation tasks. This test form enables for you to confirm the receipt of any TLPs from your design. Additionally, this method can be used to confirm reception of TLPs when ordering is unimportant.</p>
pio_writeReadBack_test0	Verilog and VHDL	<p>Performs a check for the expected Device/Vendor ID, Link Speed, and Link Width value. Performs Endpoint enumeration (scan and program BARs, and set PCIe configuration registers. Issues Memory/IO Write and Read packets depending on the BAR type enabled (IO, Memory 32-bit, or Memory 64-bit) and checks that the written value can be read back successfully.</p>

Output Logging

When a test fails on the example or customer design, the test programmer debugs the offending test case. Typically, the test programmer inspects the wave file for the simulation and cross-reference this to the messages displayed on the standard output. Because this approach can be very time consuming, the Root Port Model offers an output logging mechanism to assist the tester with debugging failing test cases to speed the process.

The Root Port Model creates three output log files during each simulation run.

- **rx.dat and tx.dat.** These log files each contain a detailed record of every TLP that was received and transmitted, respectively, by the Root Port Model. When you understand the expected TLP transmission during a specific test case, you can more easily isolate the failure.
- **error.dat.** This log file is used in conjunction with the expectation tasks. Test programs that use the expectation tasks generate a general error message to standard output. Detailed information about the specific comparison failures that have occurred due to the expectation error is located within `error.dat`.

Parallel Test Programs

There are two classes of tests supported by the Root Port Model:

- **Sequential tests.** Tests that exist within one process and behave similarly to sequential programs. The test depicted in [Test Program: pio_writeReadBack_test0, page 306](#) is an example of a sequential test. Sequential tests are very useful when verifying behavior that have events with a known order.

- **Parallel tests.** Tests involving more than one process thread. The test `sample_smoke_test1` is an example of a parallel test with two process threads. Parallel tests are very useful when verifying that a specific set of events have occurred, however the order of these events are not known.

A typical parallel test uses the form of one command thread and one or more expectation threads. These threads work together to verify the device functionality. The role of the command thread is to create the necessary TLP transactions that cause the device to receive and generate TLPs. The role of the expectation threads is to verify the reception of an expected TLP. The Root Port Model TPI has a complete set of expectation tasks to be used in conjunction with parallel tests.

Because the example design is a target-only device, only Completion TLPs can be expected by parallel test programs while using the PIO design. However, the full library of expectation tasks can be used for expecting any TLP type when used in conjunction with the user design (which can include bus-mastering functionality). Currently, the VHDL version of the Root Port Model Test Bench does not support Parallel tests.

Test Description

The Root Port Model provides a Test Program Interface (TPI). The TPI provides the means to create tests by invoking a series of Verilog tasks. All Root Port Model tests should follow the same six steps:

1. Perform conditional comparison of a unique test name.
2. Set up master timeout in case simulation hangs.
3. Wait for Reset and link-up.
4. Initialize the configuration space of the Endpoint.
5. Transmit and receive TLPs between the Root Port Model and the Endpoint DUT.
6. Verify that the test succeeded.

Test Program: *pio_writeReadBack_test0*

```

1.     else if(testname == "pio_writeReadBack_test1"
2.     begin
3.         // This test performs a 32 bit write to a 32 bit Memory space and performs a read back
4.         TSK_SIMULATION_TIMEOUT(10050);
5.         TSK_SYSTEM_INITIALIZATION;
6.         TSK_BAR_INIT;
7.         for (ii = 0; ii <= 6; ii = ii + 1) begin
8.             if (BAR_INIT_P_BAR_ENABLED[ii] > 2'b00) // bar is enabled
9.                 case(BAR_INIT_P_BAR_ENABLED[ii])
10.                    2'b01 : // IO SPACE
11.                        begin
12.                            $display("[%t] : NOTHING: to IO 32 Space BAR %x", $realtime, ii);
13.                        end
14.                    2'b10 : // MEM 32 SPACE
15.                        begin
16.                            $display("[%t] : Transmitting TLPs to Memory 32 Space BAR %x",
17.                                $realtime, ii);
18.                            //-----
19.                            // Event : Memory Write 32 bit TLP
20.                            //-----
21.                                DATA_STORE[0] = 8'h04;
22.                                DATA_STORE[1] = 8'h03;
23.                                DATA_STORE[2] = 8'h02;
24.                                DATA_STORE[3] = 8'h01;
25.                                P_READ_DATA = 32'hffff_ffff; // make sure P_READ_DATA has known initial value
26.                                TSK_TX_MEMORY_WRITE_32(DEFAULT_TAG, DEFAULT_TC, 10'd1, BAR_INIT_P_BAR[ii][31:0] , 4'hF,
4'hF, 1'b0);
27.                                TSK_TX_CLK_EAT(10);
28.                                DEFAULT_TAG = DEFAULT_TAG + 1;
29.                                //-----
30.                                // Event : Memory Read 32 bit TLP
31.                                //-----
32.                                TSK_TX_MEMORY_READ_32(DEFAULT_TAG, DEFAULT_TC, 10'd1, BAR_INIT_P_BAR[ii][31:0], 4'hF,
4'hF);
33.                                TSK_WAIT_FOR_READ_DATA;
34.                                if (P_READ_DATA != {DATA_STORE[3], DATA_STORE[2], DATA_STORE[1], DATA_STORE[0] })
35.                                    begin
36.                                        $display("[%t] : Test FAILED --- Data Error Mismatch, Write Data %x != Read Data %x",
$realtime,{DATA_STORE[3], DATA_STORE[2], DATA_STORE[1], DATA_STORE[0]}, P_READ_DATA);
37.                                    end
38.                                else
39.                                    begin
40.                                        $display("[%t] : Test PASSED --- Write Data: %x successfully received", $realtime,
P_READ_DATA);
41.                                    end

```

Expanding the Root Port Model

The Root Port Model was created to work with the PIO design, and for this reason is tailored to make specific checks and warnings based on the limitations of the PIO design. These checks and warnings are enabled by default when the Root Port Model is generated in the Vivado IDE. However, you can disable these limitations so that they do not affect the design.

Because the PIO design was created to support at most one I/O BAR, one Mem64 BAR, and two Mem32 BARs (one of which must be the EROM space), the Root Port Model by default makes a check during device configuration that verifies that the core has been configured to meet this requirement. A violation of this check causes a warning message to be displayed as well as for the offending BAR to be gracefully disabled in the test bench. This

check can be disabled by setting the `pio_check_design` variable to zero in the `pci_exp_usrapp_tx.v` file.

Root Port Model TPI Task List

The Root Port Model TPI tasks include these tasks, which are further defined in these tables.

- [Table 6-2: Test Setup Tasks](#)
- [Table 6-3: TLP Tasks](#)
- [Table 6-4: BAR Initialization Tasks](#)
- [Table 6-5: Example PIO Design Tasks](#)
- [Table 6-6: Expectation Tasks](#)

Table 6-2: Test Setup Tasks

Name	Input		Description
TSK_SYSTEM_INITIALIZATION	None		Waits for transaction interface reset and link-up between the Root Port Model and the Endpoint DUT. This task must be invoked prior to the Endpoint core initialization.
TSK_USR_DATA_SETUP_SEQ	None		Initializes global 4096 byte DATA_STORE array entries to sequential values from zero to 4095.
TSK_TX_CLK_EAT	clock count	31:30	Waits clock_count transaction interface clocks.
TSK_SIMULATION_TIMEOUT	timeout	31:0	Sets master simulation timeout value in units of transaction interface clocks. This task should be used to ensure that all DUT tests complete.

Table 6-3: TLP Tasks

Name	Input		Description
TSK_TX_TYPE0_CONFIGURATION_READ	tag_ reg_addr_ first_dw_be_	7:0 11:0 3:0	Sends a Type 0 PCI Express Config Read TLP from the Root Port Model to reg_addr_ of the Endpoint DUT with tag_ and first_dw_be_ inputs. CplID returned from the Endpoint DUT uses the contents of global COMPLETE_ID_CFG as the completion ID
TSK_TX_TYPE1_CONFIGURATION_READ	tag_ reg_addr_ first_dw_be_	7:0 11:0 3:0	Sends a Type 1 PCI Express Config Read TLP from the Root Port Model to reg_addr_ of the Endpoint DUT with tag_ and first_dw_be_ inputs. CplID returned from the Endpoint DUT uses the contents of global COMPLETE_ID_CFG as the completion ID.

Table 6-3: TLP Tasks (Cont'd)

Name	Input		Description
TSK_TX_TYPE0_CONFIGURATION_WRITE	tag_ reg_addr_ reg_data_ first_dw_be_	7:0 11:0 31:0 3:0	Sends a Type 0 PCI Express Config Write TLP from the Root Port Model to reg_addr_ of the Endpoint DUT with tag_ and first_dw_be_ inputs. Cpl returned from the Endpoint DUT uses the contents of global COMPLETE_ID_CFG as the completion ID.
TSK_TX_TYPE1_CONFIGURATION_WRITE	tag_ reg_addr_ reg_data_ first_dw_be_	7:0 11:0 31:0 3:0	Sends a Type 1 PCI Express Config Write TLP from the Root Port Model to reg_addr_ of the Endpoint DUT with tag_ and first_dw_be_ inputs. Cpl returned from the Endpoint DUT uses the contents of global COMPLETE_ID_CFG as the completion ID.
TSK_TX_MEMORY_READ_32	tag_ tc_ len_ addr_ last_dw_be_ first_dw_be_	7:0 2:0 9:0 31:0 3:0 3:0	Sends a PCI Express Memory Read TLP from the Root Port to 32-bit memory address addr_ of the Endpoint DUT. CplID returned from the Endpoint DUT uses the contents of global COMPLETE_ID_CFG as the completion ID.
TSK_TX_MEMORY_READ_64	tag_ tc_ len_ addr_ last_dw_be_ first_dw_be_	7:0 2:0 9:0 63:0 3:0 3:0	Sends a PCI Express Memory Read TLP from the Root Port Model to 64-bit memory address addr_ of the Endpoint DUT. CplID returned from the Endpoint DUT uses the contents of global COMPLETE_ID_CFG as the completion ID.
TSK_TX_MEMORY_WRITE_32	tag_ tc_ len_ addr_ last_dw_be_ first_dw_be_ ep_	7:0 2:0 9:0 31:0 3:0 3:0 -	Sends a PCI Express Memory Write TLP from the Root Port Model to 32-bit memory address addr_ of the Endpoint DUT. CplID returned from the Endpoint DUT uses the contents of global COMPLETE_ID_CFG as the completion ID. The global DATA_STORE byte array is used to pass write data to task.
TSK_TX_MEMORY_WRITE_64	tag_ tc_ len_ addr_ last_dw_be_ first_dw_be_ ep_	7:0 2:0 9:0 63:0 3:0 3:0 -	Sends a PCI Express Memory Write TLP from the Root Port Model to 64-bit memory address addr_ of the Endpoint DUT. CplID returned from the Endpoint DUT uses the contents of global COMPLETE_ID_CFG as the completion ID. The global DATA_STORE byte array is used to pass write data to task.
TSK_TX_COMPLETION	tag_ tc_ len_ comp_status_	7:0 2:0 9:0 2:0	Sends a PCI Express Completion TLP from the Root Port Model to the Endpoint DUT using global COMPLETE_ID_CFG as the completion ID.

Table 6-3: TLP Tasks (Cont'd)

Name	Input	Description
TSK_TX_COMPLETION_DATA	tag_ 7:0 tc_ 2:0 len_ 9:0 byte_count 11:0 lower_addr 6:0 comp_status 2:0 ep_ –	Sends a PCI Express Completion with Data TLP from the Root Port Model to the Endpoint DUT using global COMPLETE_ID_CFG as the completion ID. The global DATA_STORE byte array is used to pass completion data to task.
TSK_TX_MESSAGE	tag_ 7:0 tc_ 2:0 len_ 9:0 data 63:0 message_rtg 2:0 message_code 7:0	Sends a PCI Express Message TLP from the Root Port Model to the Endpoint DUT. Completion returned from the Endpoint DUT uses the contents of global COMPLETE_ID_CFG as the completion ID.
TSK_TX_MESSAGE_DATA	tag_ 7:0 tc_ 2:0 len_ 9:0 data 63:0 message_rtg 2:0 message_code 7:0	Sends a PCI Express Message with Data TLP from the Root Port Model to the Endpoint DUT. The global DATA_STORE byte array is used to pass message data to task. Completion returned from the Endpoint DUT uses the contents of global COMPLETE_ID_CFG as the completion ID.
TSK_TX_IO_READ	tag_ 7:0 addr_ 31:0 first_dw_be_ 3:0	Sends a PCI Express I/O Read TLP from the Root Port Model to I/O address addr_[31:2] of the Endpoint DUT. CpID returned from the Endpoint DUT uses the contents of global COMPLETE_ID_CFG as the completion ID.
TSK_TX_IO_WRITE	tag_ 7:0 addr_ 31:0 first_dw_be_ 3:0 data 31:0	Sends a PCI Express I/O Write TLP from the Root Port Model to I/O address addr_[31:2] of the Endpoint DUT. CpID returned from the Endpoint DUT uses the contents of global COMPLETE_ID_CFG as the completion ID.
TSK_TX_BAR_READ	bar_index 2:0 byte_offset 31:0 tag_ 7:0 tc_ 2:0	Sends a PCI Express one DWORD Memory 32, Memory 64, or I/O Read TLP from the Root Port Model to the target address corresponding to offset byte_offset from BAR bar_index of the Endpoint DUT. This task sends the appropriate Read TLP based on how BAR bar_index has been configured during initialization. This task can be called only after TSK_BAR_INIT has successfully completed. CpID returned from the Endpoint DUT use the contents of global COMPLETE_ID_CFG as the completion ID.

Table 6-3: TLP Tasks (Cont'd)

Name	Input	Description										
TSK_TX_BAR_WRITE	<table border="1"> <tr> <td>bar_index</td> <td>2:0</td> </tr> <tr> <td>byte_offset</td> <td>31:0</td> </tr> <tr> <td>tag_</td> <td>7:0</td> </tr> <tr> <td>tc_</td> <td>2:0</td> </tr> <tr> <td>data_</td> <td>31:0</td> </tr> </table>	bar_index	2:0	byte_offset	31:0	tag_	7:0	tc_	2:0	data_	31:0	<p>Sends a PCI Express one DWORD Memory 32, Memory 64, or I/O Write TLP from the Root Port to the target address corresponding to offset byte_offset from BAR bar_index of the Endpoint DUT.</p> <p>This task sends the appropriate Write TLP based on how BAR bar_index has been configured during initialization. This task can only be called after TSK_BAR_INIT has successfully completed.</p>
bar_index	2:0											
byte_offset	31:0											
tag_	7:0											
tc_	2:0											
data_	31:0											
TSK_WAIT_FOR_READ_DATA	None	<p>Waits for the next completion with data TLP that was sent by the Endpoint DUT. On successful completion, the first DWORD of data from the CplD is stored in the global P_READ_DATA. This task should be called immediately following any of the read tasks in the TPI that request Completion with Data TLPs to avoid any race conditions.</p> <p>By default this task locally times out and terminates the simulation after 1,000 transaction interface clocks. The global cpld_to_finish can be set to zero so that local timeout returns execution to the calling test and does not result in simulation timeout. For this case test programs should check the global cpld_to, which when set to one indicates that this task has timed out and that the contents of P_READ_DATA are invalid.</p>										

Table 6-4: BAR Initialization Tasks

Name	Input	Description
TSK_BAR_INIT	None	<p>Performs a standard sequence of Base Address Register initialization tasks to the Endpoint device using the PCI Express logic. Performs a scan of the Endpoint PCI BAR range requirements, performs the necessary memory and I/O space mapping calculations, and finally programs the Endpoint so that it is ready to be accessed.</p> <p>On completion, your test program can begin memory and I/O transactions to the device. This function displays to standard output a memory and I/O table that details how the Endpoint has been initialized. This task also initializes global variables within the Root Port Model that are available for test program usage. This task should only be called after TSK_SYSTEM_INITIALIZATION.</p>
TSK_BAR_SCAN	None	<p>Performs a sequence of PCI Type 0 Configuration Writes and Configuration Reads using the PCI Express logic to determine the memory and I/O requirements for the Endpoint.</p> <p>The task stores this information in the global array BAR_INIT_P_BAR_RANGE[]. This task should only be called after TSK_SYSTEM_INITIALIZATION.</p>

Table 6-4: BAR Initialization Tasks (Cont'd)

Name	Input	Description
TSK_BUILD_PCIE_MAP	None	Performs memory and I/O mapping algorithm and allocates Memory 32, Memory 64, and I/O space based on the Endpoint requirements. This task has been customized to work in conjunction with the limitations of the PIO design and should only be called after completion of TSK_BAR_SCAN.
TSK_DISPLAY_PCIE_MAP	None	Displays the memory mapping information of the Endpoint core PCI Base Address Registers. For each BAR, the BAR value, the BAR range, and BAR type is given. This task should only be called after completion of TSK_BUILD_PCIE_MAP.

Table 6-5: Example PIO Design Tasks

Name	Input	Description
TSK_TX_READBACK_CONFIG	None	Performs a sequence of PCI Type 0 Configuration Reads to the Endpoint device Base Address Registers, PCI Command Register, and PCIe Device Control Register using the PCI Express logic. This task should only be called after TSK_SYSTEM_INITIALIZATION.
TSK_MEM_TEST_DATA_BUS	bar_index 2:0	Tests whether the PIO design FPGA block RAM data bus interface is correctly connected by performing a 32-bit walking ones data test to the I/O or memory address pointed to by the input bar_index. For an exhaustive test, this task should be called four times, once for each block RAM used in the PIO design.
TSK_MEM_TEST_ADDR_BUS	bar_index nBytes 2:0 31:0	Tests whether the PIO design FPGA block RAM address bus interface is accurately connected by performing a walking ones address test starting at the I/O or memory address pointed to by the input bar_index. For an exhaustive test, this task should be called four times, once for each block RAM used in the PIO design. Also, the nBytes input should specify the entire size of the individual block RAM.
TSK_MEM_TEST_DEVICE	bar_index nBytes 2:0 31:0	Tests the integrity of each bit of the PIO design FPGA block RAM by performing an increment/decrement test on all bits starting at the block RAM pointed to by the input bar_index with the range specified by input nBytes. For an exhaustive test, this task should be called four times, once for each block RAM used in the PIO design. Also, the nBytes input should specify the entire size of the individual block RAM.

Table 6-6: Expectation Tasks

Name	Input		Output	Description
TSK_EXPECT_CPLD	traffic_class td ep attr length completer_id completer_status bcm byte_count requester_id tag address_low	2:0 - - 1:0 9:0 15:0 2:0 - 11:0 15:0 7:0 6:0	Expect status	Waits for a Completion with Data TLP that matches traffic_class, td, ep, attr, length, and payload. Returns a 1 on successful completion; 0 otherwise.
TSK_EXPECT_CPL	traffic_class td ep attr completer_id completer_status bcm byte_count requester_id tag address_low	2:0 - - 1:0 15:0 2:0 - 11:0 15:0 7:0 6:0	Expect status	Waits for a Completion without Data TLP that matches traffic_class, td, ep, attr, and length. Returns a 1 on successful completion; 0 otherwise.
TSK_EXPECT_MEMRD	traffic_class td ep attr length requester_id tag last_dw_be first_dw_be address	2:0 - - 1:0 9:0 15:0 7:0 3:0 3:0 29:0	Expect status	Waits for a 32-bit Address Memory Read TLP with matching header fields. Returns a 1 on successful completion; 0 otherwise. This task can only be used in conjunction with Bus Master designs.
TSK_EXPECT_MEMRD64	traffic_class td ep attr length requester_id tag last_dw_be first_dw_be address	2:0 - - 1:0 9:0 15:0 7:0 3:0 3:0 61:0	Expect status	Waits for a 64-bit Address Memory Read TLP with matching header fields. Returns a 1 on successful completion; 0 otherwise. This task can only be used in conjunction with Bus Master designs.

Table 6-6: Expectation Tasks (Cont'd)

Name	Input		Output	Description
TSK_EXPECT_MEMWR	traffic_class td ep attr length requester_id tag last_dw_be first_dw_be address	2:0 - - 1:0 9:0 15:0 7:0 3:0 3:0 29:0	Expect status	Waits for a 32-bit Address Memory Write TLP with matching header fields. Returns a 1 on successful completion; 0 otherwise. This task can only be used in conjunction with Bus Master designs.
TSK_EXPECT_MEMWR64	traffic_class td ep attr length requester_id tag last_dw_be first_dw_be address	2:0 - - 1:0 9:0 15:0 7:0 3:0 3:0 61:0	Expect status	Waits for a 64-bit Address Memory Write TLP with matching header fields. Returns a 1 on successful completion; 0 otherwise. This task can only be used in conjunction with Bus Master designs.
TSK_EXPECT_IOWR	td ep requester_id tag first_dw_be address data	- - 15:0 7:0 3:0 31:0 31:0	Expect status	Waits for an I/O Write TLP with matching header fields. Returns a 1 on successful completion; 0 otherwise. This task can only be used in conjunction with Bus Master designs.

Endpoint Model Test Bench for Root Port

The Endpoint model test bench for the 7 Series FPGAs Integrated Block for PCI Express core in Root Port configuration is a simple example test bench that connects the Configurator example design and the PCI Express Endpoint model allowing the two to operate like two devices in a physical system. Because the Configurator example design consists of logic that initializes itself and generates and consumes bus traffic, the example test bench only implements logic to monitor the operation of the system and terminate the simulation.

The Endpoint model test bench consists of:

- Verilog or VHDL source code for all Endpoint model components
- PIO slave design

Figure 5-13, page 282 illustrates the Endpoint model coupled with the Configurator example design.

Architecture

The Endpoint model consists of these blocks:

- PCI Express Endpoint (7 Series FPGAs Integrated Block for PCI Express in Endpoint configuration) model.
- PIO slave design, consisting of:
 - PIO_RX_ENGINE
 - PIO_TX_ENGINE
 - PIO_EP_MEM
 - PIO_TO_CTRL

The PIO_RX_ENGINE and PIO_TX_ENGINE blocks interface with the ep block for reception and transmission of TLPs from/to the Root Port Design Under Test (DUT). The Root Port DUT consists of the core configured as a Root Port and the Configurator Example Design, which consists of a Configurator block and a PIO Master design, or customer design.

The PIO slave design is described in detail in [Programmed Input/Output: Endpoint Example Design, page 266](#).

Simulating the Example Design

To simulate the design, see [Simulating the Example Design, page 289](#).

Note: For Cadence IES, the work construct DEFINE WORK WORK must be inserted manually into the `cds.lib` file.

Scaled Simulation Timeouts

The simulation model of the core uses scaled down times during link training to allow for the link to train in a reasonable amount of time during simulation. According to the *PCI Express Specification, rev. 2.1* [Ref 2], there are various timeouts associated with the link training and status state machine (LTSSM) states. The core scales these timeouts by a factor of 256 in simulation, except in the Recovery Speed_1 LTSSM state, where the timeouts are not scaled.

Output Logging

The test bench outputs messages, captured in the simulation log, indicating the time at which these occur:

- `user_reset` is deasserted
- `user_lnk_up` is asserted
- `cfg_done` is asserted by the Configurator
- `pio_test_finished` is asserted by the PIO Master
- Simulation Timeout (if `pio_test_finished` or `pio_test_failed` is never asserted)

Migrating and Upgrading

This appendix contains information about migrating a design from ISE® Design Suite to the Vivado® Design Suite, and for upgrading to a more recent version of the IP core. For customers upgrading in the Vivado Design Suite, important details (where applicable) about any port changes and other impact to user logic are included.

Migrating to the Vivado Design Suite

This section covers:

- [Migration to 7 Series Devices](#)
- [TRN to AXI Migration Considerations](#)

For information on migrating to the Vivado Design Suite, see *ISE to Vivado Design Suite Migration Methodology Guide* (UG911)[[Ref 18](#)].

Migration to 7 Series Devices

For migrating to the 7 Series FPGAs Integrated Block for PCI Express® from the Virtex®-6 FPGA Integrated Block for PCI Express, the list in this section describes the differences in behaviors and options between the 7 Series FPGAs Integrated Block for PCI Express core and the Virtex-6 FPGA Integrated Block for PCI Express core, version v2.x with the AXI4-Stream interface.

Core Capability Differences

- **8-Lane, 5.0 Gb/s (Gen2) Speed Operation for Root Port Configuration:** The 7 Series FPGAs Integrated Block for PCI Express also supports the 5.0 Gb/s speed operation for the 8-lane Root Port Configuration.
- **128-bit Interface:** The 7 Series Integrated Block for PCIe supports the 128-bit interface for the 8-lane, 2.5 Gb/s configuration and 4-lane, 5.0 Gb/s configuration.

Configuration Interface

[Table A-1](#) lists the Configuration interface signals whose names were changed.

Table A-1: Configuration Interface Changes

Name	Signal Name in Virtex-6 FPGA Integrated Block for PCI Express	Signal Name in 7 Series FPGAs Integrated Block for PCI Express
Configuration Data Out	cfg_do	cfg_mgmt_do
Configuration Read Write Done	cfg_rd_wr_done	cfg_mgmt_rd_wr_done
Configuration Data In	cfg_di	cfg_mgmt_di
Configuration DWORD Address	cfg_dwaddr	cfg_mgmt_dwaddr
Configuration Byte Enable	cfg_byte_en	cfg_mgmt_byte_en
Configuration Write Enable	cfg_wr_en	cfg_mgmt_wr_en
Configuration Read Enable	cfg_rd_en	cfg_mgmt_rd_en

Table A-2 lists the new Configuration interface signals. See [Designing with Configuration Space Registers and Configuration Interface in Chapter 3](#) for detailed information.

Table A-2: New Configuration Interface Signals

Signal	Description
cfg_mgmt_wr_rw1c_as_rw	New Configuration Write signals in the core.
cfg_mgmt_wr_readonly	
cfg_pm_halt_aspm_l0s	New Power Management signals in the core.
cfg_pm_halt_aspm_l1 ⁽¹⁾	
cfg_pm_force_state[1:0]	
cfg_pm_force_state_en	
cfg_err_aer_headerlog[127:0]	New AER Interface signals.
cfg_err_aer_headerlog_set	
cfg_aer_interrupt_msgnum[4:0]	
cfg_aer_ecrc_gen_en	
cfg_aer_ecrc_check_en	New Interrupt interface signals
cfg_pciecap_interrupt_msgnum[4:0]	
cfg_interrupt_stat	
cfg_vc_tcvc_map[6:0]	New TC/VC Map signal

Notes:

1. ASPM L1 is unsupported in the 7 Series Integrated Block for PCIe.

Error Reporting Signals

The 7 Series FPGAs Integrated Block for PCI Express core supports the additional error reporting signals listed below. See [Designing with Configuration Space Registers and Configuration Interface in Chapter 3](#) for detailed information.

- `cfg_err_poisoned`

- `cfg_err_malformed`
- `cfg_err_acs`
- `cfg_err_atomic_egress_blocked`
- `cfg_err_mc_blocked`
- `cfg_err_internal_uncor`
- `cfg_err_internal_cor`
- `cfg_err_norecovery`

ID Initial Values

The ID initial values (Vendor ID, Device ID, Revision ID, Subsystem Vendor ID, and Subsystem ID) have changed from attributes on Virtex-6 FPGA Integrated Block for PCI Express to input ports on the 7 Series FPGAs Integrated Block for PCI Express. These values are set in the Vivado® Integrated Design Environment (IDE), and are used to drive these ports in the 7 Series FPGAs Integrated Block for PCI Express. These ports are not available at the core boundary of the wrapper, but are available within the top-level wrapper of the 7 Series FPGAs Integrated Block for PCI Express. [Table A-3](#) lists the ID values and the corresponding ports.

Table A-3: ID Values and Corresponding Ports

ID Value	Input Port
Vendor ID	<code>cfg_vend_id[15:0]</code>
Device ID	<code>cfg_dev_id[15:0]</code>
Revision ID	<code>cfg_rev_id[7:0]</code>
Subsystem Vendor ID	<code>cfg_subsys_vend_id[15:0]</code>
Subsystem ID	<code>cfg_subsys_id[15:0]</code>

Physical Layer Interface

[Table A-4](#) and [Table A-5](#) list the changes in the Physical Layer interface in the 7 Series FPGAs Integrated Block for PCI Express.

Table A-4: Physical Layer Signal Name Changes

Signal Name in Virtex-6 FPGA Integrated Block for PCI Express	Signal Name in 7 Series FPGAs Integrated Block for PCI Express
<code>pl_link_gen2_capable</code>	<code>pl_link_gen2_cap</code>
<code>pl_link_upcfg_capable</code>	<code>pl_link_upcfg_cap</code>
<code>pl_sel_link_rate</code>	<code>pl_sel_lnk_rate</code>
<code>pl_sel_link_width</code>	<code>pl_sel_lnk_width</code>

Table A-5: New Physical Layer Signals

Signal	Description
pl_directed_change_done	Indicates the Directed change is done.
pl_phy_lnk_up	Indicates Physical Layer Link Up Status
pl_rx_pm_state	Indicates RX Power Management State
pl_tx_pm_state	Indicates TX Power Management State

Dynamic Reconfiguration Port Interface

Some signals names on the Dynamic Reconfiguration Port Interface have changed in the 7 Series FPGAs Integrated Block for PCI Express. Table A-6 shows the signals that have changed on this interface.

Table A-6: Dynamic Reconfiguration Port Name Changes

Port Name in Virtex-6 FPGA Integrated Block for PCI Express	Port Name in 7 Series FPGAs Integrated Block for PCI Express
pcie_drp_den	pcie_drp_en
pcie_drp_dwe	pcie_drp_we
pcie_drp_daddr	pcie_drp_addr
pcie_drp_drdy	pcie_drp_rdy

TRN to AXI Migration Considerations

This section describes the differences in signal naming and behavior when migrating to the 7 Series FPGAs Integrated Block for PCI Express core from the Virtex-6 FPGA Integrated Block for PCI Express core, v1.x, with TRN interface.

High-Level Summary

The 7 Series FPGAs Integrated Block for PCI Express updates the main user interface from TRN to the standard AXI4-Stream signal naming and behavior. In addition, all control signals that were active-Low have been changed to active-High. This list summarizes the main changes to the core:

- Signal name changes
- Datapath DWORD ordering
- All control signals are active-High
- Start-of-frame (SOF) signaling is implied
- Remainder signals are replaced with Strobe signals

Step-by-Step Migration Guide

This section describes the steps that a user should take to migrate an existing user application based on TRN to the AXI4-Stream interface.

1. For each signal in [Table A-7](#) labeled "Name change only", connect the appropriate user application signal to the newly named core signal.
2. For each signal in [Table A-7](#) labeled "Name change; Polarity", add an inverter and connect the appropriate user application signal to the newly named core signal.
3. Swap the DWORD ordering on the datapath signals as described in [Datapath DWORD Ordering](#).
4. Leave disconnected the user application signal originally connected to `trn_tsof_n`.
5. Recreate `trn_rsof_n` as described in the [Start-Of-Frame Signaling](#) section and connect to the user application as was originally connected.
6. Make the necessary changes as described in the [Remainder/Strobe Signaling](#) section.
7. If using the `trn_rsrc_dsc_n` signal in the original design, make the changes as described in [Packet Transfer Discontinue on Receive](#) section, otherwise leave disconnected.
8. Make the changes as described in the [Packet Re-ordering on Receive](#) section.

Signal Changes

Table A-7 details the main differences in signaling between TRN local-link to AXI4-Stream.

Table A-7: Interface Changes

TRN Name	AXI4-Stream Name	Difference
Common Interface		
sys_reset_n	sys_rst_n	No change
trn_clk	user_clk_out	Name change
trn_reset_n	user_reset_out	Name change; Polarity
trn_lnk_up_n	user_lnk_up	Name change; Polarity
trn_fc_ph[7:0]	fc_ph[7:0]	Name change only
trn_fc_pd[11:0]	fc_pd[11:0]	Name change only
trn_fc_nph[7:0]	fc_nph[7:0]	Name change only
trn_fc_npd[11:0]	fc_npd[11:0]	Name change only
trn_fc_cplh[7:0]	fc_cplh[7:0]	Name change only
trn_fc_cpld[11:0]	fc_cpld[11:0]	Name change only
trn_fc_sel[2:0]	fc_sel[2:0]	Name change only
Transmit Interface		
trn_tsof_n		No equivalent for 32- and 64-bit version (see text)
trn_teof_n	s_axis_tx_tlast	Name change; Polarity
trn_td[W-1:0] (W = 32, 64, or 128)	s_axis_tx_tdata[W-1:0]	Name change; DWORD Ordering (see text)
trn_trem_n (64-bit interface)	s_axis_tx_tkeep[7:0]	Name change; Functional differences (see text)
trn_trem_n[1:0] (128-bit interface)	s_axis_tx_tkeep[15:0]	Name change; Functional differences (see text)
trn_tsrc_rdy_n	s_axis_tx_tvalid	Name change; Polarity
trn_tdst_rdy_n	s_axis_tx_tready	Name change; Polarity
trn_tsrc_dsc_n	s_axis_tx_tuser[3]	Name change; Polarity
trn_tbuf_av[5:0]	tx_buf_av[5:0]	Name Change
trn_terr_drop_n	tx_err_drop	Name change; Polarity
trn_tstr_n	s_axis_tx_tuser[2]	Name change; Polarity
trn_tcfg_req_n	tx_cfg_req	Name change; Polarity
trn_tcfg_gnt_n	tx_cfg_gnt	Name change; Polarity
trn_terrfwd_n	s_axis_tx_tuser[1]	Name change; Polarity
Receive Interface		
trn_rsof_n		No equivalent for 32 and 64-bit versions

Table A-7: Interface Changes (Cont'd)

TRN Name	AXI4-Stream Name	Difference
trn_reof_n	m_axis_rx_tlast (64b) is_eof[4] (128b)	Name change; Polarity
trn_rd[W-1:0] (W = 32, 64, or 128)	m_axis_rx_tdata[W-1:0]	Name change; DWORD Ordering
trn_rrem_n (64-bit interface)	m_axis_rx_tkeep	Name change; Functional differences (see text)
trn_rrem_n[1:0] (128-bit interface)	m_axis_rx_tuser[14:10], m_axis_rx_tuser[21:17]	Name change; Functional differences (see text)
trn_rerrfwd_n	m_axis_rx_tuser[1]	Name change; Polarity
trn_rsrc_rdy_n	m_axis_rx_tvalid	Name change; Polarity
trn_rdst_rdy_n	m_axis_rx_tready	Name change; Polarity
trn_rsrc_dsc_n		No equivalent
trn_rnp_ok_n	rx_np_ok	Name change; Polarity; Extra delay (see text)
trn_rbar_hit_n[7:0]	m_axis_rx_tuser[9:2]	Name change; Polarity
Configuration Interface		
cfg_rd_wr_done_n	cfg_mgmt_rd_wr_done	Name change; Polarity
cfg_byte_en_n[3:0]	cfg_mgmt_byte_en[3:0]	Name change; Polarity
cfg_wr_en_n	cfg_mgmt_wr_en	Name change; Polarity
cfg_rd_en_n	cfg_mgmt_rd_en	Name change; Polarity
cfg_pcie_link_state_n[2:0]	cfg_pcie_link_state[2:0]	Name change only
cfg_trn_pending_n	cfg_trn_pending	Name change; Polarity
cfg_to_turnoff_n	cfg_to_turnoff	Name change; Polarity
cfg_turnoff_ok_n	cfg_turnoff_ok	Name change; Polarity
cfg_pm_wake_n	cfg_pm_wake	Name change; Polarity
cfg_wr_rw1c_as_rw_n	cfg_mgmt_wr_rw1c_as_rw	Name change; Polarity
cfg_interrupt_n	cfg_interrupt	Name change; Polarity
cfg_interrupt_rdy_n	cfg_interrupt_rdy	Name change; Polarity
cfg_interrupt_assert_n	cfg_interrupt_assert	Name change; Polarity
cfg_err_ecrc_n	cfg_err_ecrc	Name change; Polarity
cfg_err_ur_n	cfg_err_ur	Name change; Polarity
cfg_err_cpl_timeout_n	cfg_err_cpl_timeout	Name change; Polarity
cfg_err_cpl_unexpect_n	cfg_err_cpl_unexpect	Name change; Polarity
cfg_err_cpl_abort_n	cfg_err_cpl_abort	Name change; Polarity
cfg_err_posted_n	cfg_err_posted	Name change; Polarity
cfg_err_cor_n	cfg_err_cor	Name change; Polarity

Table A-7: Interface Changes (Cont'd)

TRN Name	AXI4-Stream Name	Difference
cfg_err_cpl_rdy_n	cfg_err_cpl_rdy	Name change; Polarity
cfg_err_locked_n	cfg_err_locked	Name change; Polarity

Datapath DWORD Ordering

The AXI4-Stream interface swaps the DWORD locations but preserves byte ordering within an individual DWORD as compared to the TRN interface. This change only affects the 64-bit and 128-bit versions of the core. Figure A-1 and Figure A-2 illustrate the DWORD swap ordering from TRN to AXI4-Stream for both 64-bit and 128-bit versions.

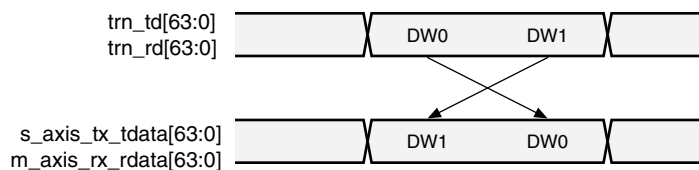


Figure A-1: TRN vs. AXI DWORD Ordering on Data Bus (64-Bit)

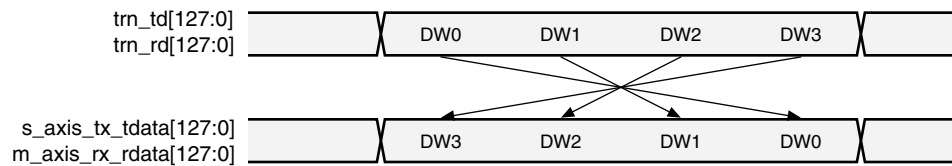


Figure A-2: TRN vs. AXI DWORD Ordering on Data Bus (128-Bit)

For migrating existing 64-bit and 128-bit TRN-based designs, you should swap DWORD locations for the `s_axis_tx_tdata[W-1:0]` and `s_axis_rx_rdata[W-1:0]` buses as they enter and exit the core.

For example, existing user application pseudo code:

```
usr_trn_rd[127:0] = trn_rd[127:0];
```

should be modified to:

```
usr_trn_rd[127:96] = s_axis_rx_rdata[31:0]
usr_trn_rd[95:64] = s_axis_rx_rdata[63:32]
usr_trn_rd[63:32] = s_axis_rx_rdata[95:64]
usr_trn_rd[31:0] = s_axis_rx_rdata[127:96]
```

Start-Of-Frame Signaling

AXI4-Stream does not have equivalent signals for start-of-frame (`trn_tsof_n` and `trn_rsof_n`) in the 32-bit and 64-bit versions. On the transmit side, existing TRN designs can just leave the `trn_tsof_n` connection unconnected. On the receive side, existing TRN designs can recreate `trn_rsof_n` using simple logic, if necessary.

32- and 64-Bit Interfaces

First, create a sequential (clocked) signal called `in_packet_reg`. A combinatorial logic function using existing signals from the core can then be used to recreate `trn_rsof_n` as illustrated in this pseudo code:

```

For every clock cycle (user_clk_out) do {
    if(reset)
        in_packet_reg = 0
    else if (m_axis_rx_tvalid and m_axis_rx_tready)
        in_packet_reg = !m_axis_rx_tlast
    }

    trn_rsof_n = !(m_axis_rx_tvalid & !in_packet_reg)
    
```

128-Bit Interface

The 128-bit interface provides an SOF signal. You can invert (`rx_is_sof[4]`) `m_axis_rx_tuser[14]` to recreate `trn_rsof_n`.

Remainder/Strobe Signaling

This section covers the changes to the remainder signals `trn_trem_n[1:0]` and `trn_rrem_n[1:0]`.

The AXI4-Stream interface uses strobe signaling (byte enables) in place of remainder signaling. There are three key differences between the strobe signals and the remainder signals as detailed in [Table A-8](#). There are also some differences between the 64-bit version and 128-bit version of the core. The 128-bit RX version replaces `trn_rrem[1:0]` with (`rx_is_sof[4:0]`) `m_axis_rx_tuser[14:10]` and (`rx_is_eof[4:0]`) `m_axis_rx_tuser[21:17]`, instead of a strobe signal. For simplicity, this section treats 64-bit and 128-bit transmit and receive operations separately.

Table A-8: Remainder Signal Differences

TRN Remainders 64-bit: <code>trn_trem_n</code> , <code>trn_rrem_n</code> 128-bit: <code>trn_trem_n[1:0]</code> , <code>trn_rrem_n[1:0]</code>	AXI4-Stream Strobes 64-bit: <code>s_axis_tx_tkeep[7:0]</code> , <code>m_axis_rx_tkeep[7:0]</code> 128-bit: <code>s_axis_tx_tkeep[15:0]</code> , <code>rx_is_sof[4:0]</code> , <code>rx_is_eof[4:0]</code>
Active-Low	Active-High
Acts on DWORDs	Acts on Bytes
Only valid on end-of-frame (EOF) cycles	Valid for every clock cycle that <code>tvalid</code> and <code>tready</code> are asserted

64-Bit Transmit

Existing TRN designs can do a simple conversion from the single `trn_trem` signal to `s_axis_tx_tkeep[7:0]`. Assuming you currently named the signal `user_trn_trem` that drives the `trn_trem` input, the listed pseudo code illustrates the conversion to `s_axis_tx_tkeep[7:0]`. You must drive `s_axis_tx_tkeep[7:0]` every clock cycle that `tvalid` is asserted.

```
if s_axis_tx_tlast == 1 //in a packet at EOF
    s_axis_tx_tkeep[7:0] = user_trn_trem_n ? 0Fh : FFh
else //in a packet but not EOF, or not in a packet
    s_axis_tx_tkeep = FFh
```

64-Bit Receive

Existing TRN designs can do a simple conversion on `m_axis_rx_tkeep[7:0]` to recreate the `trn_rrem` signal using combinatorial logic. The listed pseudo code illustrates the conversion.

```
if (C_DATA_WIDTH == 64)
begin
    assign trn_rrem = m_axis_rx_tlast ? (m_axis_rx_tkeep == 8'hFF) ? 1'b1 : 1'b0: 1'b1;
end
```

128-Bit Transmit

Existing TRN designs can do a simple conversion from the single `trn_trem[1:0]` signal to `s_axis_tx_tkeep[15:0]`. Assuming you currently named the signal `user_trn_trem[1:0]` that drives the `trn_trem[1:0]` input, the listed pseudo code illustrates the conversion to `s_axis_tx_tkeep[15:0]`. You must drive `s_axis_tx_tkeep[15:0]` every clock cycle.

```
if s_axis_tx_tlast == 1 //in a packet at EOF
    if user_trn_trem_n[1:0]==00b
        s_axis_tx_tkeep[15:0] = FFFFh
    else if user_trn_trem_n[1:0] = 01b
        s_axis_tx_tkeep[15:0] = 0FFFh
    else if user_trn_trem_n[1:0] = 10b
        s_axis_tx_tkeep[15:0] = 00FFh
    else if user_trn_trem_n[1:0] = 11b
        s_axis_tx_tkeep[15:0] = 000Fh
    else //in a packet but not EOF, or not in a packet
        s_axis_tx_tkeep =FF FFh
```

128-Bit Receive

The 128-bit receive remainder signal `trn_rrem[1:0]` does not have an equivalent strobe signal for AXI4-Stream. Instead, `(is_sof[4:0]) m_axis_rx_tuser[14:10]` and `(is_eof[4:0]) m_axis_rx_tuser[21:17]` are used. Existing TRN designs can do a conversion on the `rx_is_sof` and `rx_is_eof` signals to recreate the `trn_rrem[1:0]`

signal using combinatorial logic. The listed pseudo code illustrates the conversion. This pseudo code assumes that you swapped the DWORD locations from the AXI4-Stream interface (see the `usr_trn_rd[127:0]` signal pseudo code).

```
trn_rrem[1] = ( rx_is_sof[4] && rx_is_eof[4] && rx_is_eof[3] ) || ( !rx_is_sof[4] &&
rx_is_eof[4] && rx_is_eof[3] ) || ( rx_is_sof[4] && !rx_is_eof[4] && !rx_is_sof[3] ) )

trn_rrem_n[0] = !rx_is_eof[2]
```

Note: 128-bit interface does NOT use `m_axis_rx_tlast` signal at all (tied Low), but rather it uses `m_axis_rx_tuser` signals.

Packet Transfer Discontinue on Receive

When the `trn_rsrc_dsc_n` signal in the TRN interface is asserted, it indicates that a received packet has been discontinued. The AXI4-Stream interface has no equivalent signal. On both the TRN and AXI4-Stream cores, however, a packet is only discontinued on the receive interface if link connectivity is lost. Therefore, you can monitor the `user_lnk_up` signal to determine a receive packet discontinue condition.

On the TRN interface, the packet transmission on the data interface (`trn_rd`) stops immediately following assertion of `trn_rsrc_dsc_n`, and `trn_reof_n` might never be asserted. On the AXI4-Stream interface, the packet is padded out to the proper length of the transaction layer packet (TLP), and `m_axis_rx_tlast` is asserted even though the data is corrupted. Figure A-3 and Figure A-4 show the TRN and AXI4-Stream signaling for packet discontinue. To recreate the `trn_rsrc_dsc_n` signal, you can invert and add one clock cycle delay to `user_lnk_up`.

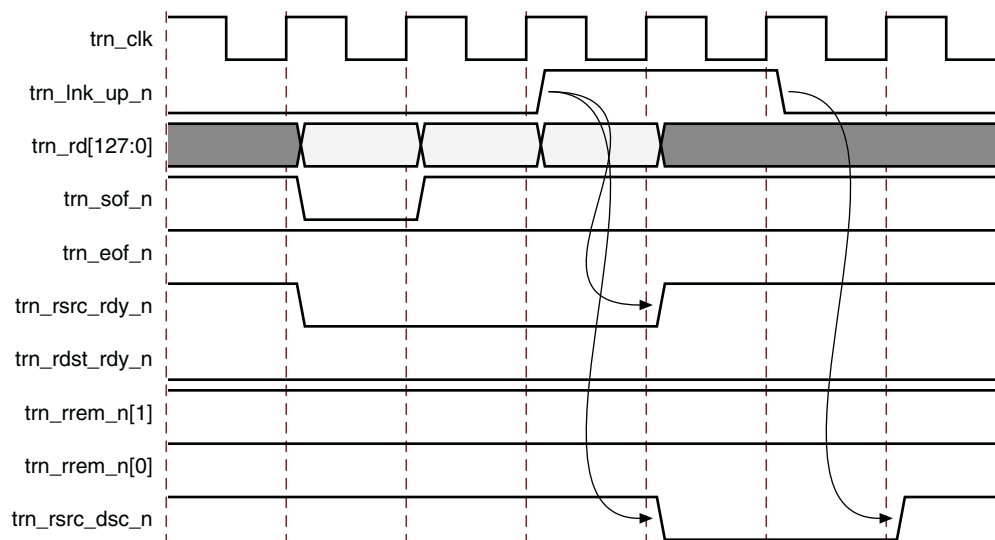


Figure A-3: Receive Discontinue on the TRN Interface

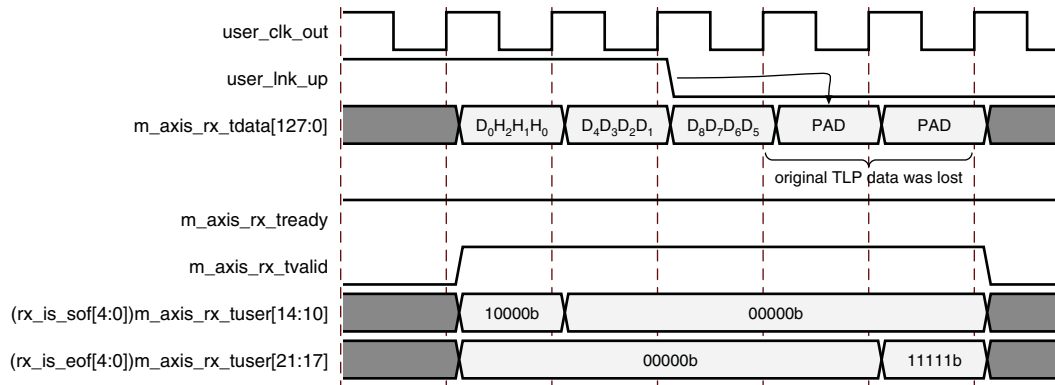


Figure A-4: Receive Discontinue on the AXI4-Stream Interface

Packet Re-ordering on Receive

The TRN interface uses the `trn_rnp_ok_n` signal to reorder TLP traffic on the receive interface. The AXI4-Stream interface has an equivalent signal, `rx_np_ok`. You need to account for two differences in the AXI4-Stream interface as shown in Table A-9. You must account for these differences in your custom logic. If the user application does not use packet re-ordering, you can tie `rx_np_ok` to 1b.

Table A-9: AXI4-Stream Interface Differences

TRN <code>trn_rnp_ok_n</code>	AXI4-Stream <code>rx_np_ok</code>
Active-Low	Active-High
Deassert at least one clock cycle before <code>trn_reof_n</code> of the next-to-last Non-Posted TLP that the user can accept	Deassert at least one clock cycle before <code>is_eof[4]</code> of the second-to-last Non-Posted TLP that the user can accept

System Reset

The system reset is usually provided by `PERST#`, which is an active-Low signal.

Upgrading in the Vivado Design Suite

This section provides information about any changes to the user logic or port designations that take place when you upgrade to a more current version of this IP core in the Vivado Design Suite.

Parameter Changes

There are no parameter changes.

Port Changes

There are no port changes.

Debugging

This appendix provides information on resources available on the Xilinx® Support website, and debugging tools.

Finding Help on Xilinx.com

To help in the design and debug process when using the 7 Series Integrated Block for PCIe, the [Xilinx Support webpage](#) contains key resources such as product documentation, release notes, answer records, information about known issues, and links for obtaining further product support.

Documentation

This Product Guide is the main document associated with the 7 Series Integrated Block for PCIe. This guide along with documentation related to all products that aid in the design process can be found on the [Xilinx Support webpage](#) or by using the Xilinx Documentation Navigator.

You can download the Xilinx Documentation Navigator from the [Downloads page](#). For more information about this tool and the features available, see the [online help](#) after installation.

Solution Centers

See the [Xilinx Solution Centers](#) for support on devices, software tools, and intellectual property at all stages of the design cycle. Topics include design assistance, advisories, and troubleshooting tips. The PCI Express Solution Center is located at [Xilinx Solution Center for PCI Express](#). Extensive debugging collateral is available in AR: [56802](#).

Answer Records

Answer Records include information about commonly encountered problems, helpful information on how to resolve these problems, and any known issues with a Xilinx product. Answer Records are created and maintained daily ensuring that you have access to the most accurate information available.

Answer Records for this core can be located by using the Search Support box on the main [Xilinx support web page](#). To maximize your search results, use proper keywords such as

- Product name
- Tool messages
- Summary of the issue encountered

A filter search is available after results are returned to further target the results.

Master Answer Record for the 7 Series Integrated Block for PCIe

AR: [54643](#)

Contacting Xilinx Technical Support

Xilinx provides technical support in the [Xilinx Support web page](#) for this LogiCORE™ IP product when used as described in the product documentation. Xilinx cannot guarantee timing, functionality, or support if you do any of the following:

- Implement the solution in devices that are not defined in the documentation.
- Customize the solution beyond that allowed in the product documentation.
- Change any section of the design labeled DO NOT MODIFY.

To contact Technical Support:

1. Open a [WebCase](#).
 - Target FPGA including package and speed grade
 - All applicable Vivado® Design Suite, synthesis and simulator software versions
 - Additional files might be required based on the specific issue. See the relevant sections in this debug guide for further information on specific files to include with the WebCase.

Debug Tools

There are many tools available to debug PCI Express design issues. This section indicates which tools are useful for debugging the various situations encountered.

Vivado Design Suite Debug Feature

The Vivado® Design Suite debug feature inserts logic analyzer and virtual I/O cores directly into your design. The debug feature also allows you to set trigger conditions to capture application and integrated block port signals in hardware. Captured signals can then be analyzed. This feature in the Vivado IDE is used for logic debugging and validation of a design running in Xilinx devices.

The Vivado logic analyzer is used to interact with the logic debug LogiCORE IP cores, including:

- ILA 2.0 (and later versions)
- VIO 2.0 (and later versions)

See *Vivado Design Suite User Guide: Programming and Debugging* (UG908) [Ref 17].

Reference Boards

Various Xilinx development boards support the 7 Series Integrated Block for PCIe. These boards can be used to prototype designs and establish that the core can communicate with the system.

- 7 series evaluation boards
 - KC705
 - KC724
 - VC707
 - AC701

Link Analyzers

Third-party link analyzers show link traffic in a graphical or text format. Lecroy, Agilent, and Vmetro are companies that make common analyzers available today. These tools greatly assist in debugging link issues and allow you to capture data which Xilinx support representatives can view to assist in interpreting link behavior.

Third-Party Tools

This section describes third-party software tools that can be useful in debugging.

LSPCI (Linux)

LSPCI is available on Linux platforms and allows you to view the PCI Express device configuration space. LSPCI is usually found in the `/sbin` directory. LSPCI displays a list of devices on the PCI buses in the system. See the LSPCI manual for all command options. Some useful commands for debugging include:

- `lspci -x -d [<vendor>]: [<device>]`

This displays the first 64 bytes of configuration space in hexadecimal form for the device with vendor and device ID specified (omit the `-d` option to display information for all devices). The default Vendor ID for Xilinx cores is 10EE. Here is a sample of a read of the configuration space of a Xilinx device:

```
> lspci -x -d 10EE:7028
81:00.0 Memory controller: Xilinx Corporation: Unknown device 7028
00: ee 10 28 70 07 00 10 00 00 00 80 05 10 00 00 00
10: 00 00 80 fa 00 00 00 00 00 00 00 00 00 00 00 00
20: 00 00 00 00 00 00 00 00 00 00 00 00 ee 10 6f 50
30: 00 00 00 00 40 00 00 00 00 00 00 00 05 01 00 00
```

Included in this section of the configuration space are the Device ID, Vendor ID, Class Code, Status and Command, and Base Address Registers.

- `lspci -xxxx -d [<vendor>]: [<device>]`

This displays the extended configuration space of the device. It can be useful to read the extended configuration space on the root and look for the Advanced Error Reporting (AER) registers. These registers provide more information on why the device has flagged an error (for example, it might show that a correctable error was issued because of a replay timer timeout).

- `lspci -k`

Shows kernel drivers handling each device and kernel modules capable of handling it (works with kernel 2.6 or later).

PCItree (Windows)

PCItree can be downloaded at www.pcitree.de and allows the user to view the PCI Express device configuration space and perform one DWORD memory writes and reads to the aperture.

The configuration space is displayed by default in the lower right corner when the device is selected, as shown in [Figure B-1](#).

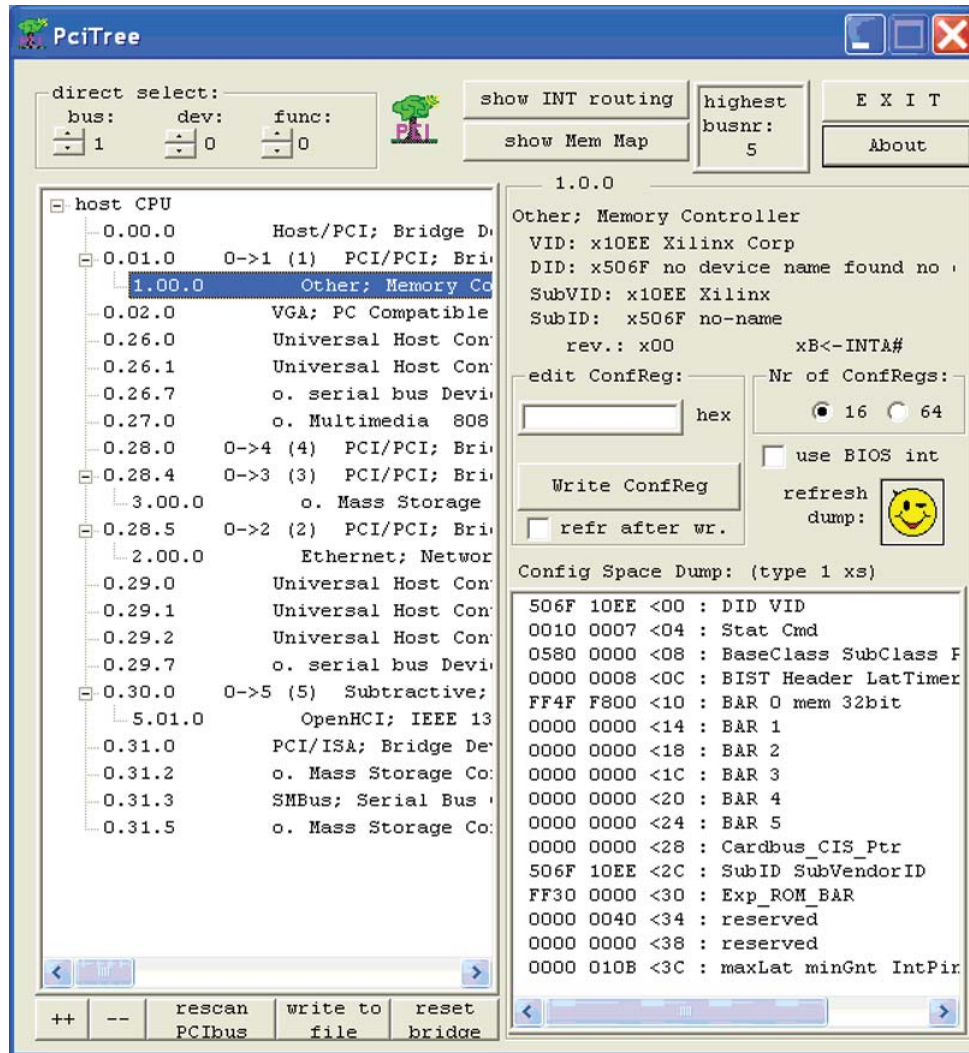


Figure B-1: PciTree with Read of Configuration Space

PCI-SIG Software Suites

PCI-SIG® software suites such as PCIe-CV can be used to test compliance with the specification. This software can be downloaded at www.pcisig.com.

Simulation Debug

The simulation debug flow for QuestaSim is illustrated in [Figure B-2](#).

Note: Endpoints that are shaded gray in [Figure B-2](#) indicate that further explanation is provided in this section.

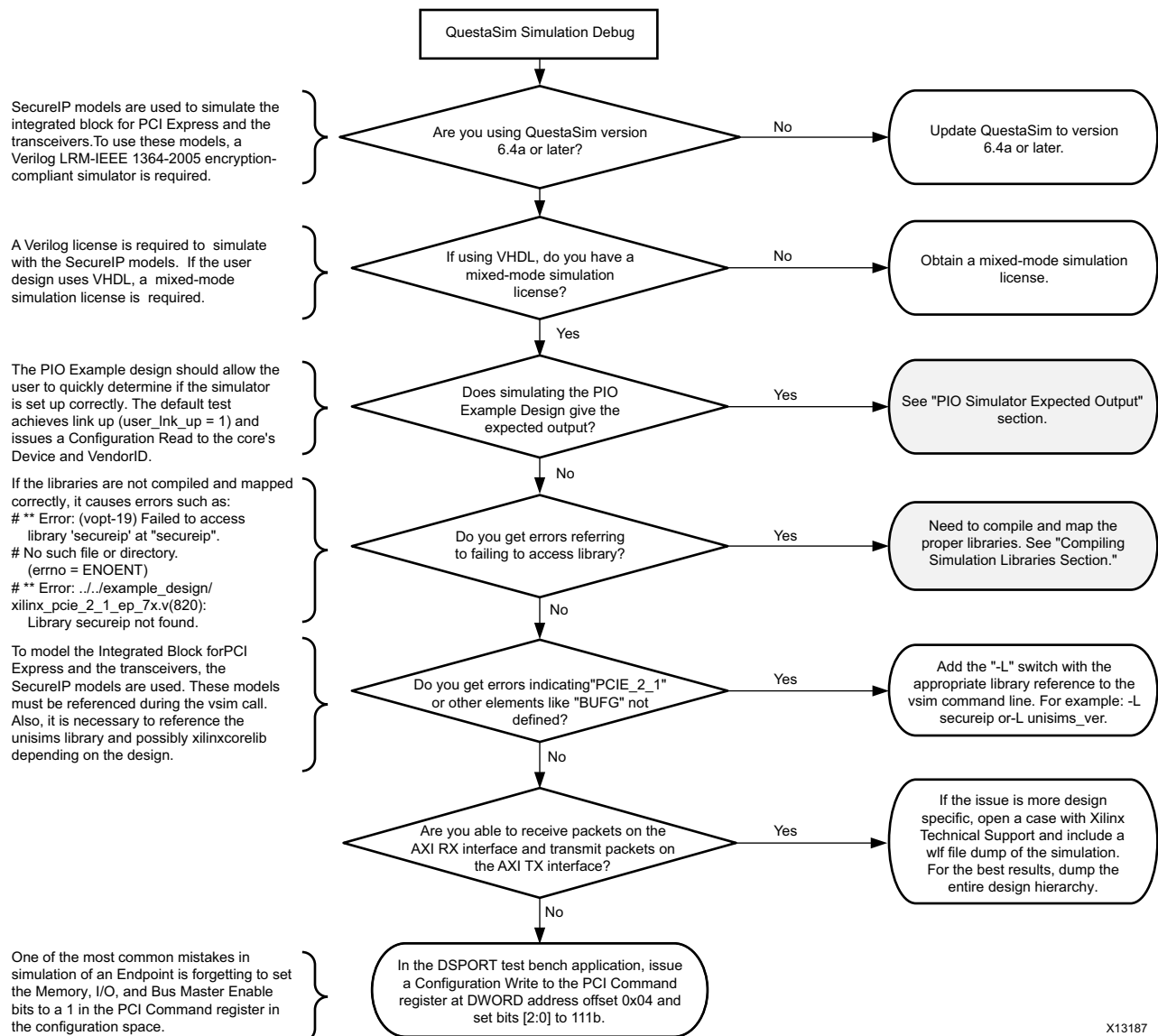


Figure B-2: QuestaSim Debug Flow Diagram

PIO Simulator Expected Output

The PIO design simulation should give the output as follows:

```

# Running test {pio_writeReadBack_test0}.....
# [          0] : System Reset Asserted...
# [    4995000] : System Reset De-asserted...
# [   48743324] : Transaction Reset Is De-asserted...
# [   50471408] : Transaction Link Is Up...
# [   50535337] : TSK_PARSE_FRAME on Transmit
# [   53799296] : TSK_PARSE_FRAME on Receive
# [   58535316] :   Check Max Link Speed = 2.5GT/s - PASSED
# [   58535316] : Check Negotiated Link Width = 01x - PASSED
# [   58583267] : TSK_PARSE_FRAME on Transmit
# [   60967220] : TSK_PARSE_FRAME on Receive
# [   66583220] :   Check Device/Vendor ID - PASSED
# [   66631220] : TSK_PARSE_FRAME on Transmit
# [   69031328] : TSK_PARSE_FRAME on Receive
# [   74631328] :   Check CMPS ID - PASSED
# [   74631328] : SYSTEM CHECK PASSED
# [   74631328] : Inspecting Core Configuration Space...
# [   74679316] : TSK_PARSE_FRAME on Transmit
# [   76327322] : TSK_PARSE_FRAME on Transmit
# [   77031308] : TSK_PARSE_FRAME on Receive
# [   78727272] : TSK_PARSE_FRAME on Receive
# [   84375277] : TSK_PARSE_FRAME on Transmit
# [   86023267] : TSK_PARSE_FRAME on Transmit
# [   86727220] : TSK_PARSE_FRAME on Receive
# [   88423220] : TSK_PARSE_FRAME on Receive
# [   94071220] : TSK_PARSE_FRAME on Transmit
# [   95719220] : TSK_PARSE_FRAME on Transmit
# [   96423288] : TSK_PARSE_FRAME on Receive
# [   98119322] : TSK_PARSE_FRAME on Receive
# [  103767322] : TSK_PARSE_FRAME on Transmit
# [  105415337] : TSK_PARSE_FRAME on Transmit
# [  106119316] : TSK_PARSE_FRAME on Receive
# [  107815316] : TSK_PARSE_FRAME on Receive
# [  113463267] : TSK_PARSE_FRAME on Transmit
# [  115111308] : TSK_PARSE_FRAME on Transmit
# [  115815207] : TSK_PARSE_FRAME on Receive
# [  117511220] : TSK_PARSE_FRAME on Receive
# [  123159220] : TSK_PARSE_FRAME on Transmit
# [  124807220] : TSK_PARSE_FRAME on Transmit
# [  125511308] : TSK_PARSE_FRAME on Receive
# [  127207296] : TSK_PARSE_FRAME on Receive
# [  132855337] : TSK_PARSE_FRAME on Transmit
# [  134503288] : TSK_PARSE_FRAME on Transmit
# [  135207316] : TSK_PARSE_FRAME on Receive
# [  136903316] : TSK_PARSE_FRAME on Receive
# [  142503316] PCI EXPRESS BAR MEMORY/IO MAPPING PROCESS BEGUN...
#   BAR 0: VALUE = 00000000 RANGE = fff00000 TYPE = MEM32 MAPPED
#   BAR 1: VALUE = 00000000 RANGE = 00000000 TYPE = DISABLED
#   BAR 2: VALUE = 00000000 RANGE = 00000000 TYPE = DISABLED
#   BAR 3: VALUE = 00000000 RANGE = 00000000 TYPE = DISABLED
#   BAR 4: VALUE = 00000000 RANGE = 00000000 TYPE = DISABLED
#   BAR 5: VALUE = 00000000 RANGE = 00000000 TYPE = DISABLED
#   EROM : VALUE = 00000000 RANGE = 00000000 TYPE = DISABLED
# [  142503316] : Setting Core Configuration Space...
# [  142551308] : TSK_PARSE_FRAME on Transmit
# [  144199316] : TSK_PARSE_FRAME on Transmit
# [  144903193] : TSK_PARSE_FRAME on Receive
# [  145847316] : TSK_PARSE_FRAME on Transmit
# [  146567204] : TSK_PARSE_FRAME on Receive
    
```

```

# [          147495316] : TSK_PARSE_FRAME on Transmit
# [          148199270] : TSK_PARSE_FRAME on Receive
# [          149143316] : TSK_PARSE_FRAME on Transmit
# [          149863267] : TSK_PARSE_FRAME on Receive
# [          150791328] : TSK_PARSE_FRAME on Transmit
# [          151495316] : TSK_PARSE_FRAME on Receive
# [          152439322] : TSK_PARSE_FRAME on Transmit
# [          153159316] : TSK_PARSE_FRAME on Receive
# [          154087296] : TSK_PARSE_FRAME on Transmit
# [          154791316] : TSK_PARSE_FRAME on Receive
# [          155735315] : TSK_PARSE_FRAME on Transmit
# [          156455316] : TSK_PARSE_FRAME on Receive
# [          158087322] : TSK_PARSE_FRAME on Receive
# [          171735277] : Transmitting TLPs to Memory 32 Space BAR 0
# [          171783193] : TSK_PARSE_FRAME on Transmit
# [          171991308] : TSK_PARSE_FRAME on Transmit
# [          174247296] : TSK_PARSE_FRAME on Receive
# [          179943316] : Test PASSED --- Write Data: 01020304 successfully received
# [          180103267] : Finished transmission of PCI-Express TLPs
# ** Note: $finish      : ../tests/sample_tests1.v(317)
#   Time: 180103267 ps  Iteration: 6  Instance: /board/RP/tx_usrapp
  
```

Compiling Simulation Libraries

Use the `compile_simlib` command to compile simulation libraries. This tool is delivered as part of the Xilinx software. For more information, see *Vivado Design Suite User Guide: Logic Simulation (UG900)* [Ref 16] and *Vivado Design Suite Tcl Command Reference Guide (UG835)* [Ref 20].

`compile_simlib` produces a `modelsim.ini` file containing the library mappings. In QuestaSim, type `vmap` at the prompt to see the current library mappings. The mappings can be updated in the ini file, or to map a library at the QuestaSim prompt, type:

```
vmap [<logical_name>] [<path>]
```

For example:

```
Vmap unisims_ver C:\my_unisim_lib
```

Next Step

If the debug suggestions listed previously do not resolve the issue, open a support case or visit the Xilinx User Community forums to have the appropriate Xilinx expert assist with the issue.

To create a technical support case in WebCase, see the Xilinx website at:

www.xilinx.com/support/clearexpress/websupport.htm

Items to include when opening a case:

- Detailed description of the issue and results of the steps listed above.
- Attach a VCD or WLF dump of the simulation.

To discuss possible solutions, use the Xilinx User Community:

forums.xilinx.com/xlnx/

Hardware Debug

Hardware issues can range from device recognition issues to problems seen after hours of testing. This section provides debug flow diagrams for some of the most common issues. Endpoints that are shaded gray indicate that more information can be found in sections after [Figure B-3](#).

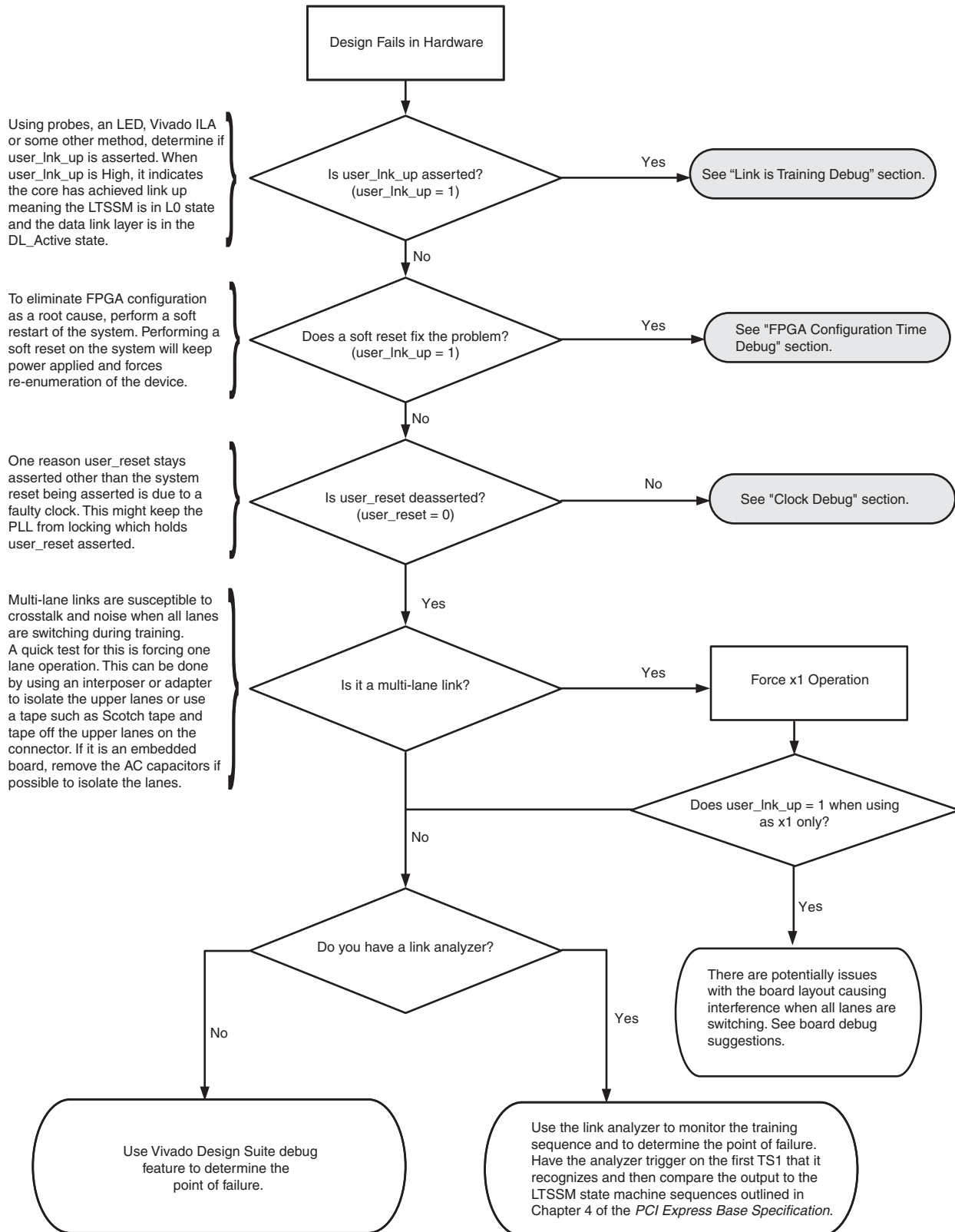


Figure B-3: Design Fails in Hardware Debug Flow Diagram

FPGA Configuration Time Debug

Device initialization and configuration issues can be caused by not having the FPGA configured fast enough to enter link training and be recognized by the system. Section 6.6 of *PCI Express Base Specification, rev. 2.1* [Ref 2] states two rules that might be impacted by FPGA Configuration Time:

- A component must enter the LTSSM Detect state within 20 ms of the end of the Fundamental reset.
- A system must guarantee that all components intended to be software visible at boot time are ready to receive Configuration Requests within 100 ms of the end of Conventional Reset at the Root Complex.

These statements basically mean the FPGA must be configured within a certain finite time, and not meeting these requirements could cause problems with link training and device recognition.

Configuration can be accomplished using an onboard PROM or dynamically using JTAG. When using JTAG to configure the device, configuration typically occurs after the Chipset has enumerated each peripheral. After configuring the FPGA, a soft reset is required to restart enumeration and configuration of the device. A soft reset on a Windows based PC is performed by going to **Start > Shut Down** and then selecting **Restart**.

To eliminate FPGA configuration as a root cause, you should perform a soft restart of the system. Performing a soft reset on the system keeps power applied and forces re-enumeration of the device. If the device links up and is recognized after a soft reset is performed, then FPGA configuration is most likely the issue. Most typical systems use ATX power supplies which provide some margin on this 100 ms window as the power supply is normally valid before the 100 ms window starts. For more information on FPGA configuration, see [FPGA Configuration in Chapter 3](#).

Link is Training Debug

[Figure B-4](#) shows the flowchart for link trained debug.

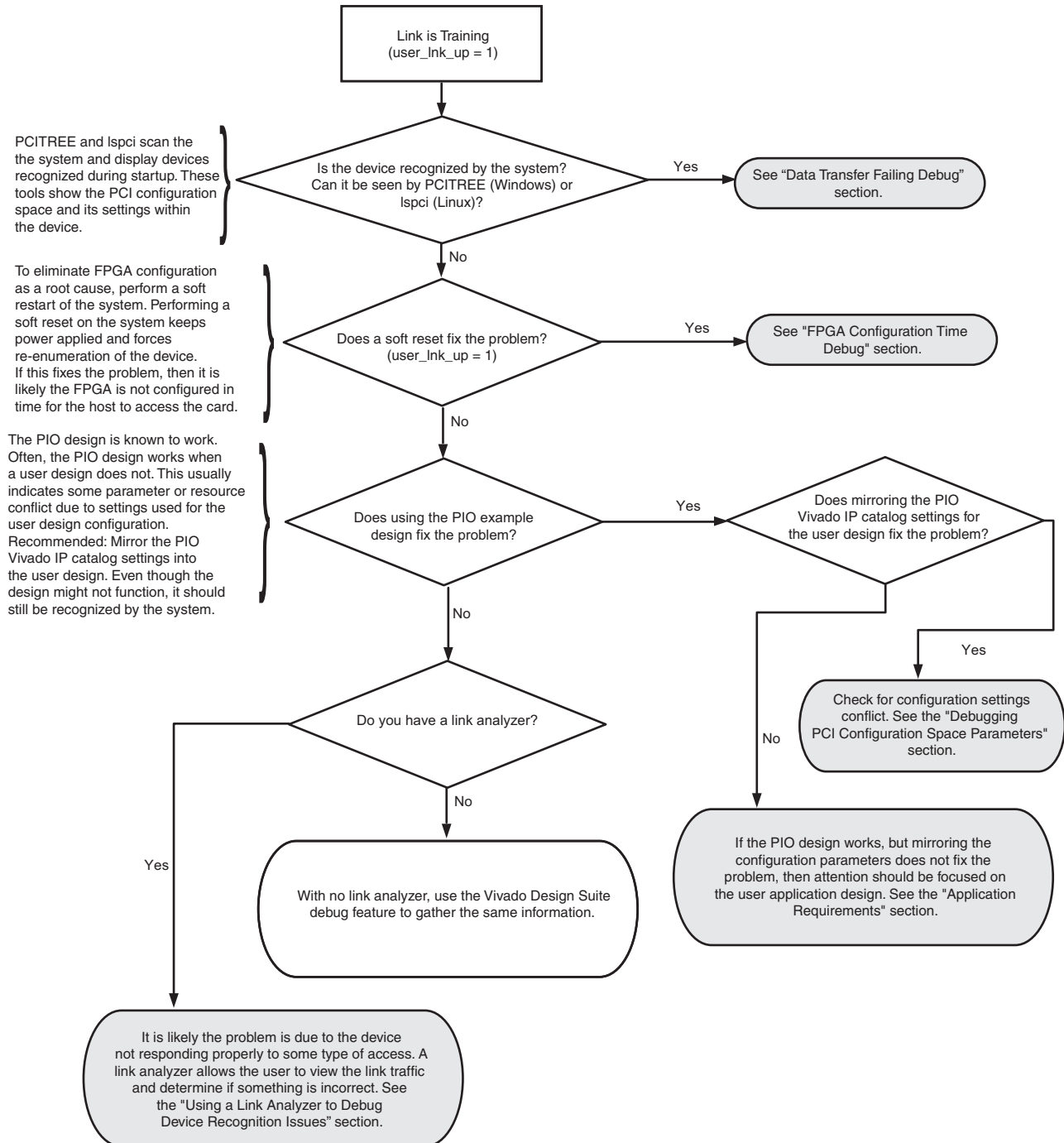


Figure B-4: Link Trained Debug Flow Diagram

FPGA Configuration Time Debug

Device initialization and configuration issues can be caused by not having the FPGA configured fast enough to enter link training and be recognized by the system. Section 6.6 of *PCI Express Base Specification, rev. 2.1* [Ref 2] states two rules that might be impacted by FPGA Configuration Time:

- A component must enter the LTSSM Detect state within 20 ms of the end of the Fundamental reset.
- A system must guarantee that all components intended to be software visible at boot time are ready to receive Configuration Requests within 100 ms of the end of Conventional Reset at the Root Complex.

These statements basically mean the FPGA must be configured within a certain finite time, and not meeting these requirements could cause problems with link training and device recognition.

Configuration can be accomplished using an onboard PROM or dynamically using JTAG. When using JTAG to configure the device, configuration typically occurs after the Chipset has enumerated each peripheral. After configuring the FPGA, a soft reset is required to restart enumeration and configuration of the device. A soft reset on a Windows based PC is performed by going to **Start > Shut Down** and then selecting **Restart**.

To eliminate FPGA configuration as a root cause, you should perform a soft restart of the system. Performing a soft reset on the system keeps power applied and forces re-enumeration of the device. If the device links up and is recognized after a soft reset is performed, then FPGA configuration is most likely the issue. Most typical systems use ATX power supplies which provides some margin on this 100 ms window as the power supply is normally valid before the 100 ms window starts. For more information on FPGA configuration, see [FPGA Configuration in Chapter 3](#).

Clock Debug

One reason to not deassert the user_reset_out signal is that the fabric PLL (MMCM) and Transceiver PLL have not locked to the incoming clock. To verify lock, monitor the transceiver CPLLLOCK or QPLLLOCK output and the MMCM LOCK output. If the PLLs do not lock as expected, it is necessary to ensure the incoming reference clock meets the requirements in *7 Series FPGAs GTX/GTH Transceivers User Guide* [Ref 12]. The REFCLK signal should be routed to the dedicated reference clock input pins on the serial transceiver, and the user design should instantiate the IBUFDS_GTE2 primitive in the user design. See the *7 Series FPGAs GTX/GTH Transceivers User Guide* for more information on PCB layout requirements, including reference clock requirements.

Reference clock jitter can potentially close both the TX and RX eyes, depending on the frequency content of the phase jitter. Therefore, as clean a reference clock as possible must be maintained. Reduce crosstalk on REFCLK by isolating the clock signal from nearby high-speed traces. Maintain a separation of at least 25 mils from the nearest aggressor

signals. The PCI Special Interest Group website provides other tools for ensuring the reference clocks are compliant to the requirements of the *PCI Express Specification*: www.pcisig.com/specifications/pciexpress/compliance/compliance_library

Debugging PCI Configuration Space Parameters

Often, a user application fails to be recognized by the system, but the Xilinx PIO Example design works. In these cases, the user application is often using a PCI configuration space setting that is interfering with the system systems ability to recognize and allocate resources to the card.

Xilinx solutions for PCI Express handle all configuration transactions internally and generate the correct responses to incoming configuration requests. Chipsets have limits as to the amount of system resources it can allocate and the core must be configured to adhere to these limitations.

The resources requested by the Endpoint are identified by the BAR settings within the Endpoint configuration space. You should verify that the resources requested in each BAR can be allocated by the chipset. I/O BARs are especially limited so configuring a large I/O BAR typically prevents the chipset from configuring the device. Generate a core that implements a small amount of memory (approximately 2 KB) to identify if this is the root cause.

The **Class Code** setting selected in the Vivado IDE can also affect configuration. The Class Code informs the Chipset as to what type of device the Endpoint is. Chipsets might expect a certain type of device to be plugged into the PCI Express slot and configuration might fail if it reads an unexpected Class Code. The BIOS could be configurable to work around this issue.

Use the PIO design with default settings to rule out any device allocation issues. The PIO design default settings have proven to work in all systems encountered when debugging problems. If the default settings allow the device to be recognized, then change the PIO design settings to match the intended user application by changing the PIO configuration in the Vivado IDE. Trial and error might be required to pinpoint the issue if a link analyzer is not available.

Using a link analyzer, it is possible to monitor the link traffic and possibly determine when during the enumeration and configuration process problems occur.

Application Requirements

During enumeration, it is possible for the chipset to issue transaction layer packet (TLP) traffic that is passed from the core to the backend application. A common oversight when designing custom backend applications is to not have logic which handles every type incoming request. As a result, no response is created and problems arise. The PIO design has the necessary backend functions to respond correctly to any incoming request. It is the responsibility of the application to generate the correct response. These packet types are presented to the application:

- Requests targeting the Expansion ROM (if enabled)
- Message TLPs
- Memory or I/O requests targeting a BAR
- All completion packets

The PIO design, can be used to rule out any of these types of concerns, as the PIO design responds to all incoming transactions to the user application in some way to ensure the host receives the proper response allowing the system to progress. If the PIO design works, but the custom application does not, some transaction is not being handled properly.

The Vivado Design Suite debug feature should be implemented on the wrapper Receive AXI4-Stream interface to identify if requests targeting the backend application are drained and completed successfully. The AXI4-Stream interface signals that should be probed in the debug feature are defined in [Table B-1, page 346](#).

Using a Link Analyzer to Debug Device Recognition Issues

In cases where the link is up (`user_Ink_up = 1`), but the device is not recognized by the system, a link analyzer can help solve the issue. It is likely the FPGA is not responding properly to some type of access. The link view can be used to analyze the traffic and see if anything looks out of place.

To focus on the issue, it might be necessary to try different triggers. Here are some trigger examples:

- Trigger on the first `INIT_FC1` and/or `UPDATE_FC` in either direction. This allows the analyzer to begin capture after link up.
- The first TLP normally transmitted to an Endpoint is the Set Slot Power Limit Message. This usually occurs before Configuration traffic begins. This might be a good trigger point.
- Trigger on Configuration TLPs.
- Trigger on Memory Read or Memory Write TLPs.

Data Transfer Failing Debug

Figure B-5 shows the flowchart for data transfer debug.

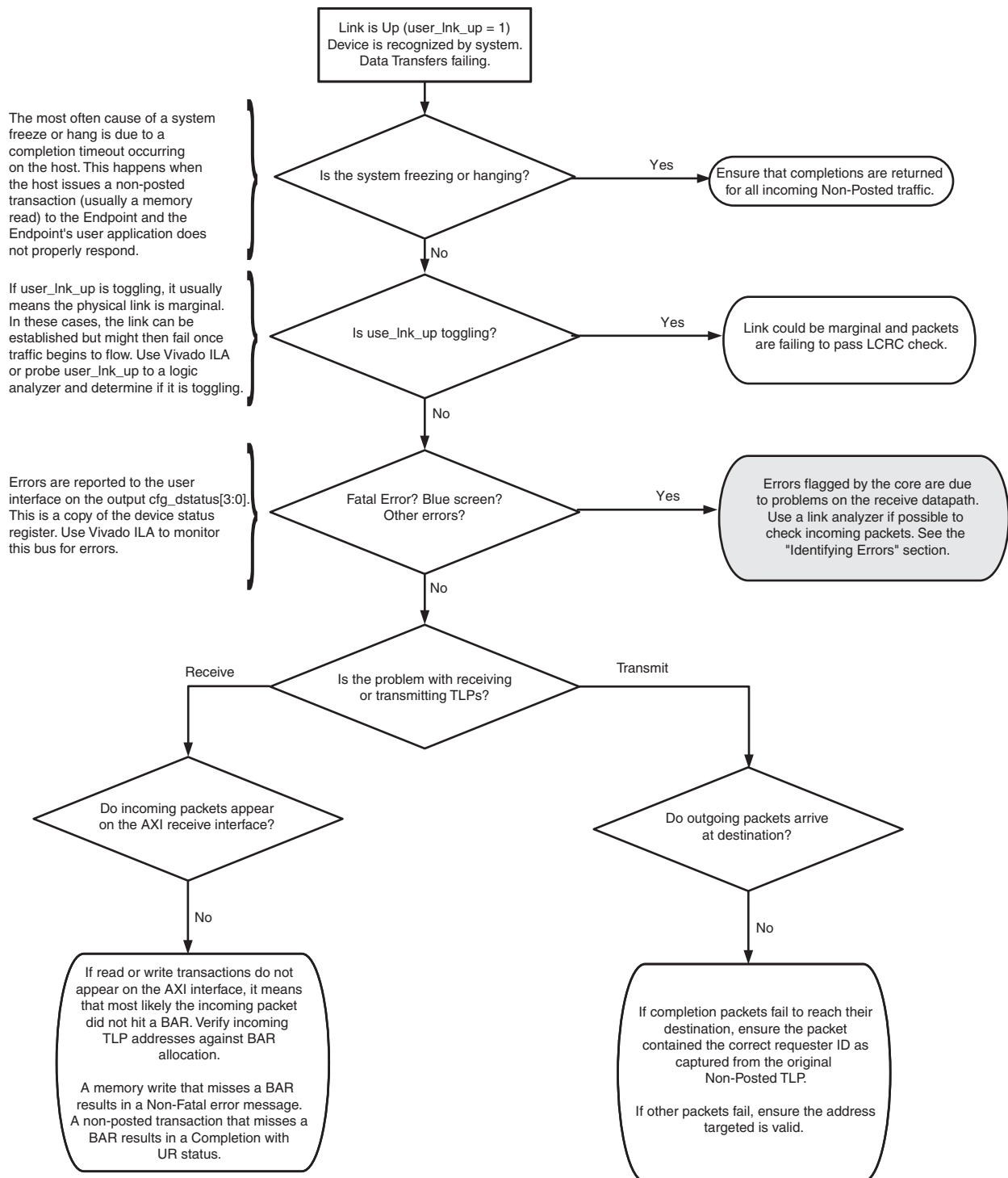


Figure B-5: Data Transfer Debug Flow Diagram

Identifying Errors

Hardware symptoms of system lock up issues are indicated when the system hangs or a blue screen appears (PC systems). The *PCI Express Base Specification, rev. 2.1* [Ref 2] requires that error detection be implemented at the receiver. A system lock up or hang is commonly the result of a Fatal Error and is reported in bit 2 of the receiver Device Status register. Using the Vivado Design Suite debug feature, monitor the core device status register to see if a fatal error is being reported.

A fatal error reported at the Root complex implies an issue on the transmit side of the EP. The Root Complex Device Status register can often times be seen using PCITree (Windows) or LSPCI (Linux). If a fatal error is detected, see the [Transmit](#) section. A Root Complex can often implement Advanced Error Reporting, which further distinguishes the type of error reported. AER provides valuable information as to why a certain error was flagged and is provided as an extended capability within a devices configuration space. Section 7.10 of the *PCI Express Base Specification, rev. 2.1* provides more information on AER registers.

Transmit

Fatal Error Detected on Root or Link Partner

Check to make sure the TLP is correctly formed and that the payload (if one is attached) matches what is stated in the header length field. The Endpoints device status register does not report errors created by traffic on the transmit channel.

These signals should be monitored on the Transmit interface to verify all traffic being initiated is correct. See [Table 2-9, page 16](#) for signal descriptions.

- user_lnk_up
- s_axis_tx_tlast
- s_axis_tx_tdata
- s_axis_tx_trb
- s_axis_tx_tvalid
- s_axis_tx_tready

Fatal Error Not Detected

Ensure that the address provided in the TLP header is valid. The kernel mode driver attached to the device is responsible for obtaining the system resources allocated to the device. In a Bus Mastering design, the driver is also responsible for providing the application with a valid address range. System hangs or blue screens might occur if a TLP contains an address that does not target the designated address range for that device.

Receive

Xilinx solutions for PCI Express provide the Device Status register to the application on CFG_DSTATUS[3:0].

Table B-1: Description of CFG_DSTATUS[3:0]

CFG_DSTATUS[3:0]	Description
CFG_DSTATUS[0]	Correctable Error Detected
CFG_DSTATUS[1]	Non-Fatal Error Detected
CFG_DSTATUS[2]	Fatal Error Detected
CFG_DSTATUS[3]	UR Detected

System lock up conditions due to issues on the receive channel of the PCI Express core are often result of an error message being sent upstream to the root. Error messages are only sent when error reporting is enabled in the Device Control register.

A fatal condition is reported if any of these events occur:

- Training Error
- DLL Protocol Error
- Flow Control Protocol Error
- Malformed TLP
- Receiver Overflow

The first four bullets are not common in hardware because both Xilinx solutions for PCI Express and connected components have been thoroughly tested in simulation and hardware. However, a receiver overflow is a possibility. You must follow the requirements discussed in [Receiver Flow Control Credits Available in Chapter 3](#) when issuing memory reads.

Non-Fatal Errors

This subsection lists conditions reported as Non-Fatal errors. See the *PCI Express Base Specification, rev. 2.1* for more details.

If the error is being reported by the root, the AER registers can be read to determine the condition that led to the error. Use a tool such as HWDIRECT, discussed in [Third-Party Tools, page 332](#), to read the AER registers of the root. Chapter 7 of the *PCI Express Base Specification* defines the AER registers. If the error is signaled by the Endpoint, debug ports are available to help determine the specific cause of the error.

Correctable Non-Fatal Errors

Correctable Non-Fatal errors are:

- Receiver Error
- Bad TLP
- Bad DLLP
- Replay Timeout
- Replay NUM Rollover

The first three errors listed above are detected by the receiver and are not common in hardware systems. The replay error conditions are signaled by the transmitter. If an ACK is not received for a packet within the allowed time, it is replayed by the transmitter. Throughput can be reduced if many packets are being replayed, and the source can usually be determined by examining the link analyzer or Vivado Design Suite debug feature captures.

Uncorrectable Non-Fatal Errors

Uncorrectable Non-Fatal errors are:

- Poisoned TLP
- Received ECRC Check Failed
- Unsupported Request (UR)
- Completion Timeout
- Completer Abort
- Unexpected Completion
- ACS Violation

An unsupported request usually indicates that the address in the TLP did not fall within the address space allocated to the BAR. This often points to an issue with the address translation performed by the driver. Ensure also that the BAR has been assigned correctly by the root at start-up. LSPCI or PCItree discussed in [Third-Party Tools, page 332](#) can be used to read the BAR values for each device.

A completion timeout indicates that no completion was returned for a transmitted TLP and is reported by the requester. This can cause the system to hang (could include a blue screen on Windows) and is usually caused when one of the devices locks up and stops responding to incoming TLPs. If the root is reporting the completion timeout, the debug feature can be used to investigate why the user application did not respond to a TLP (for example, the user application is busy, there are no transmit buffers available, or `s_axis_tx_tready` is deasserted). If the Endpoint is reporting the Completion timeout, a link analyzer would show

the traffic patterns during the time of failure and would be useful in determining the root cause.

Next Steps

If the debug suggestions listed previously do not resolve the issue, open a support case or visit the Xilinx User Community forums to have the appropriate Xilinx expert assist with the issue.

To create a technical support case in WebCase, see the Xilinx website at:

www.xilinx.com/support/clearexpress/websupport.htm

Items to include when opening a case:

- Detailed description of the issue and results of the steps listed above.
- Vivado Design Suite debug feature captures taken in the steps above.

To discuss possible solutions, use the Xilinx User Community:

forums.xilinx.com/xlnx/

Additional Transceiver Control and Status Ports

Table B-2 describes the ports used to debug transceiver-related issues.



RECOMMENDED: *Debugging transceiver-related issues is recommended for advanced users only.*

For more information about these GT debug signals, see the *7 Series FPGAs GTX/GTH Transceivers User Guide (UG476)* [Ref 12], and the *7 Series FPGAs GTP Transceivers User Guide (UG482)* [Ref 13].

Table B-2: Additional Transceiver Control and Status Ports

Port	Direction (I/O)	Width	Description
pipe_txprbssel	I	3	PRBS input
pipe_rxprbssel	I	3	PRBS input
pipe_rxprbsforceerr	I	1	PRBS input
pipe_rxprbscntreset	I	1	PRBS input
pipe_loopback	I	1	PIPE loopback.
pipe_rxprbserr	O	1	PRBS output.
pipe_rst_fsm	O		Should be examined if PIPE_RST_IDLE is stuck at 0.
pipe_qrst_fsm	O		Should be examined if PIPE_RST_IDLE is stuck at 0.

Table B-2: Additional Transceiver Control and Status Ports (Cont'd)

Port	Direction (I/O)	Width	Description
pipe_sync_fsm_tx	O		Should be examined if PIPE_RST_FSM stuck at 11'b10000000000, or PIPE_RATE_FSM stuck at 24'b000100000000000000000000000000000000.
pipe_sync_fsm_rx	O		Deprecated.
pipe_drp_fsm	O		Should be examined if PIPE_RATE_FSM is stuck at 100000000.
pipe_rst_idle	O		Wrapper is in IDLE state if PIPE_RST_IDLE is High.
pipe_qrst_idle	O		Wrapper is in IDLE state if PIPE_QRST_IDLE is High.
pipe_rate_idle	O		Wrapper is in IDLE state if PIPE_RATE_IDLE is High.
PIPE_DEBUG_0/gt_txresetdone	O		Generic debug ports to assist debug. These are generic debug ports to bring out internal PIPE Wrapper signals, such as raw GT signals. DEBUG_0 to DEBUGT_9 are intended for per lane signals. The bus width of these generic debug ports depends on the number of lanes configured in the wrapper.
PIPE_DEBUG_1/gt_rxresetdone	O		Generic debug ports to assist debug. These are generic debug ports to bring out internal PIPE Wrapper signals, such as raw GT signals. DEBUG_0 to DEBUGT_9 are intended for per lane signals. The bus width of these generic debug ports depends on the number of lanes configured in the wrapper.
PIPE_DEBUG_2/gt_phystatus	O		Generic debug ports to assist debug. These are generic debug ports to bring out internal PIPE Wrapper signals, such as raw GT signals. DEBUG_0 to DEBUGT_9 are intended for per lane signals. The bus width of these generic debug ports depends on the number of lanes configured in the wrapper.
PIPE_DEBUG_3/gt_rxvalid	O		Generic debug ports to assist debug. These are generic debug ports to bring out internal PIPE Wrapper signals, such as raw GT signals. DEBUG_0 to DEBUGT_9 are intended for per lane signals. The bus width of these generic debug ports depends on the number of lanes configured in the wrapper.
PIPE_DEBUG_4/gt_txphaligndone	O		Generic debug ports to assist debug. These generic debug ports bring out internal PIPE Wrapper signals, such as raw GT signals. DEBUG_0 to DEBUGT_9 are intended for per lane signals. The bus width of these generic debug ports depends on the number of lanes configured in the wrapper.
PIPE_DEBUG_5/gt_rxphaligndone	O		Generic debug ports to assist debug. These generic debug ports bring out internal PIPE Wrapper signals, such as raw GT signals. DEBUG_0 to DEBUGT_9 are intended for per lane signals. The bus width of these generic debug ports depends on the number of lanes configured in the wrapper.

Table B-2: Additional Transceiver Control and Status Ports (Cont'd)

Port	Direction (I/O)	Width	Description
PIPE_DEBUG_6/gt_rxcommadet	O		Generic debug ports to assist debug. These generic debug ports bring out internal PIPE Wrapper signals, such as raw GT signals. DEBUG_0 to DEBUGT_9 are intended for per lane signals. The bus width of these generic debug ports depends on the number of lanes configured in the wrapper.
PIPE_DEBUG_7/gt_rdy	O		Generic debug ports to assist debug. These generic debug ports bring out internal PIPE Wrapper signals, such as raw GT signals. DEBUG_0 to DEBUGT_9 are intended for per lane signals. The bus width of these generic debug ports depends on the number of lanes configured in the wrapper.
PIPE_DEBUG_8/user_rx_converge	O		Generic debug ports to assist debug. These generic debug ports bring out internal PIPE Wrapper signals, such as raw GT signals. DEBUG_0 to DEBUGT_9 are intended for per lane signals. The bus width of these generic debug ports depends on the number of lanes configured in the wrapper.
PIPE_DEBUG_9/PIPE_TXELECIDLE	O		Generic debug ports to assist debug. These generic debug ports bring out internal PIPE Wrapper signals, such as raw GT signals. DEBUG_0 to DEBUGT_9 are intended for per lane signals. The bus width of these generic debug ports depends on the number of lanes configured in the wrapper.
pipe_txinhibit	I	1	Connects to TXINHIBIT on transceiver channel primitives.

Managing Receive-Buffer Space for Inbound Completions

The *PCI Express® Base Specification [Ref 2]* requires all Endpoints to advertise infinite Flow Control credits for received Completions to their link partners. This means that an Endpoint must only transmit Non-Posted Requests for which it has space to accept Completion responses. This appendix describes how a user application can manage the receive-buffer space in the 7 Series Integrated Block for PCIe core to fulfill this requirement.

General Considerations and Concepts

Completion Space

[Table C-1](#) defines the completion space reserved in the receive buffer by the core. The values differ depending on the different Capability Max Payload Size settings of the core and the performance level that you selected. If you chooses to not have TLP Digests (ECRC) removed from the incoming packet stream, the TLP Digests (ECRC) must be accounted for as part of the data payload. Values are credits, expressed in decimal.

Table C-1: Receiver-Buffer Completion Space

Capability Max Payload Size (bytes)	Performance Level: Good		Performance Level: High	
	Cpl. Hdr. (Total_CplH)	Cpl. Data (Total_CplD)	Cpl. Hdr. (Total_CplH)	Cpl. Data (Total_CplD)
128	36	77	36	205
256	36	77	36	205
512	36	205	36	461
1024	36	461	36	973

Maximum Request Size

A Memory Read cannot request more than the value stated in Max_Request_Size, which is given by Configuration bits `cfg_dcommand[14:12]` as defined in [Table C-2](#). If the user application does not read the Max_Request_Size value, it must use the default value of 128 bytes.

Table C-2: Max_Request_Size Settings

cfg_dcommand[14:12]	Max_Request_Size			
	Bytes	DW	QW	Credits
000b	128	32	16	8
001b	256	64	32	16
010b	512	128	64	32
011b	1024	256	128	64
100b	2048	512	256	128
101b	4096	1024	512	256
110b-111b	Reserved			

Read Completion Boundary

A Memory Read can be answered with multiple Completions, which when put together return all requested data. To make room for packet-header overhead, the user application must allocate enough space for the maximum number of Completions that might be returned.

To make this process easier, the *PCI Express Base Specification* quantizes the length of all Completion packets such that each must start and end on a naturally aligned Read Completion Boundary (RCB), unless it services the starting or ending address of the original request. The value of RCB is determined by Configuration bit `cfg_lcommand[3]` as defined in [Table C-3](#). If the user application does not read the RCB value, it must use the default value of 64 bytes.

Table C-3: Read Completion Boundary Settings

cfg_lcommand[3]	Read Completion Boundary			
	Bytes	DW	QW	Credits
0	64	16	8	4
1	128	32	16	8

When calculating the number of Completion credits a Non-Posted Request requires, you must determine how many RCB-bounded blocks the Completion response might be required, which is the same as the number of Completion Header credits required.

Methods of Managing Completion Space

A user application can choose one of five methods to manage receive-buffer Completion space, as listed in [Table C-4](#). For convenience, this discussion refers to these methods as `LIMIT_FC`, `PACKET_FC`, `RCB_FC`, `DATA_FC`, and `STREAM_FC`. Each has advantages and disadvantages that you need to consider when developing the user application.

Table C-4: Managing Receive Completion Space Methods

Method	Description	Advantage	Disadvantage
LIMIT_FC	Limit the total number of outstanding NP Requests	Simplest method to implement in user logic	Much Completion capacity goes unused
PACKET_FC	Track the number of outstanding CplH and CplD credits; allocate and deallocate on a per-packet basis	Relatively simple user logic; finer allocation granularity means less wasted capacity than LIMIT_FC	As with LIMIT_FC, credits for an NP are still tied up until the Request is completely satisfied
RCB_FC	Track the number of outstanding CplH and CplD credits; allocate and deallocate on a per-RCB basis	Ties up credits for less time than PACKET_FC	More complex user logic than LIMIT_FC or PACKET_FC
DATA_FC	Track the number of outstanding CplH and CplD credits; allocate and deallocate on a per-RCB basis	Lowest amount of wasted capacity	More complex user logic than LIMIT_FC, PACKET_FC, and RCB_FC
STREAM_FC	Stream packets out of the core at line rate	Very high performance	The user application must accept and process Downstream Completion and Posted Transactions at line rate; Most complex user logic

LIMIT_FC Method

The LIMIT_FC method is the simplest to implement. The user application assesses the maximum number of outstanding Non-Posted Requests allowed at one time, MAX_NP. To calculate this value, perform these steps:

1. Determine the number of CplH credits required by a Max_Request_Size packet:

$$\text{Max_Header_Count} = \text{ceiling}(\text{Max_Request_Size} / \text{RCB})$$

2. Determine the greatest number of maximum-sized Completions supported by the CplD credit pool:

$$\text{Max_Packet_Count_CplD} = \text{floor}(\text{CplD} / \text{Max_Request_Size})$$

3. Determine the greatest number of maximum-sized Completions supported by the CplH credit pool:

$$\text{Max_Packet_Count_CplH} = \text{floor}(\text{CplH} / \text{Max_Header_Count})$$

4. Use the *smaller* of the two quantities from steps 2 and 3 to obtain the maximum number of outstanding Non-Posted requests:

$$\text{MAX_NP} = \text{min}(\text{Max_Packet_Count_CplH}, \text{Max_Packet_Count_CplD})$$

With knowledge of MAX_NP, the user application can load a register NP_PENDING with zero at reset and make sure it always stays with the range 0 to MAX_NP. When a Non-Posted Request is transmitted, NP_PENDING decrements by one. When *all* Completions for an outstanding NP Request are received, NP_PENDING increments by one.

Although this method is the simplest to implement, it can waste the greatest receiver space because an entire Max_Request_Size block of Completion credit is allocated for each Non-Posted Request, regardless of actual request size. The amount of waste becomes greater when the user application issues a larger proportion of short Memory Reads (on the order of a single DWORD), I/O Reads and I/O Writes.

PACKET_FC Method

The PACKET_FC method allocates blocks of credit in finer granularities than LIMIT_FC, using the receive Completion space more efficiently with a small increase in user logic.

Start with two registers, CPLH_PENDING and CPLD_PENDING, (loaded with zero at reset), and then perform these steps:

1. When the user application needs to send an NP request, determine the potential number of CplH and CplD credits it might require:

$$\text{NP_CplH} = \text{ceiling}[\text{((Start_Address mod RCB) + Request_Size) / RCB}]$$

$$\text{NP_CplD} = \text{ceiling}[\text{((Start_Address mod 16 bytes) + Request_Size) / 16 bytes}]$$

(except I/O Write, which returns zero data)

The modulo and ceiling functions ensure that any fractional RCB or credit blocks are rounded up. For example, if a Memory Read requests 8 bytes of data from address 7Ch, the returned data can potentially be returned over two Completion packets (7Ch-7Fh, followed by 80h-83h). This would require two RCB blocks and two data credits.

2. Check these:

$$\text{CPLH_PENDING} + \text{NP_CplH} \leq \text{Total_CplH (from Table C-1)}$$

$$\text{CPLD_PENDING} + \text{NP_CplD} \leq \text{Total_CplD (from Table C-1)}$$

3. If both inequalities are true, transmit the Non-Posted Request, and increase CPLH_PENDING by NP_CplH and CPLD_PENDING by NP_CplD. For each NP Request transmitted, keep NP_CplH and NP_CplD for later use.
4. When all Completion data is returned for an NP Request, decrease CPLH_PENDING and CPLD_PENDING accordingly.

This method is less wasteful than LIMIT_FC but still ties up all of an NP Request Completion space until the *entire* request is satisfied. RCB_FC and DATA_FC provide finer deallocation granularity at the expense of more logic.

RCB_FC Method

The RCB_FC method allocates and de-allocates blocks of credit in RCB granularity. Credit is freed on a per-RCB basis.

As with PACKET_FC, start with two registers, CPLH_PENDING and CPLD_PENDING (loaded with zero at reset).

1. Calculate the number of data credits per RCB:

$$\text{CpID_PER_RCB} = \text{RCB} / 16 \text{ bytes}$$

2. When the user application needs to send an NP request, determine the potential number of CplH credits it might require. Use this to allocate CplD credits with RCB granularity:

$$\text{NP_CplH} = \text{ceiling}[\text{((Start_Address mod RCB) + Request_Size) / RCB}]$$

$$\text{NP_CplD} = \text{NP_CplH} \times \text{CpID_PER_RCB}$$

3. Check these:

$$\text{CPLH_PENDING} + \text{NP_CplH} \leq \text{Total_CplH}$$

$$\text{CPLD_PENDING} + \text{NP_CplD} \leq \text{Total_CplD}$$

4. If both inequalities are true, transmit the Non-Posted Request, increase CPLH_PENDING by NP_CplH and CPLD_PENDING by NP_CplD.
5. At the start of each incoming Completion, or when that Completion begins at or crosses an RCB without ending at that RCB, decrease CPLH_PENDING by 1 and CPLD_PENDING by CpID_PER_RCB. Any Completion could cross more than one RCB. The number of RCB crossings can be calculated by:

$$\text{RCB_CROSSED} = \text{ceiling}[\text{((Lower_Address mod RCB) + Length) / RCB}]$$

Lower_Address and Length are fields that can be parsed from the Completion header. Alternatively, you can load a register CUR_ADDR with Lower_Address at the start of each incoming Completion, increment per DW or QW as appropriate, then count an RCB whenever CUR_ADDR rolls over.

This method is less wasteful than PACKET_FC but still provides an RCB granularity. If a user application transmits I/O requests, the user application could adopt a policy of only allocating one CplD credit for each I/O Read and zero CplD credits for each I/O Write. The user application would have to match each incoming Completion's Tag with the Type (Memory Write, I/O Read, I/O Write) of the original NP Request.

DATA_FC Method

The DATA_FC method provides the finest allocation granularity at the expense of logic.

As with PACKET_FC and RCB_FC, start with two registers, CPLH_PENDING and CPLD_PENDING (loaded with zero at reset).

1. When the user application needs to send an NP request, determine the potential number of CplH and CplD credits it might require:

$$\text{NP_CplH} = \text{ceiling}[\text{((Start_Address mod RCB) + Request_Size) / RCB}]$$

$$\text{NP_CplD} = \text{ceiling}[\text{((Start_Address mod 16 bytes) + Request_Size) / 16 bytes}]$$

(except I/O Write, which returns zero data)

2. Check these:

$$\text{CPLH_PENDING} + \text{NP_CplH} \leq \text{Total_CplH}$$

$$\text{CPLD_PENDING} + \text{NP_CplD} \leq \text{Total_CplD}$$

3. If both inequalities are true, transmit the Non-Posted Request, increase CPLH_PENDING by NP_CplH and CPLD_PENDING by NP_CplD.
4. At the start of each incoming Completion, or when that Completion begins at or crosses an RCB without ending at that RCB, decrease CPLH_PENDING by 1. The number of RCB crossings can be calculated by:

$$\text{RCB_CROSSED} = \text{ceiling}[\text{((Lower_Address mod RCB) + Length) / RCB}]$$

Lower_Address and Length are fields that can be parsed from the Completion header. Alternatively, you can load a register CUR_ADDR with Lower_Address at the start of each incoming Completion, increment per DW or QW as appropriate, then count an RCB whenever CUR_ADDR rolls over.

5. At the start of each incoming Completion, or when that Completion begins at or crosses at a naturally aligned credit boundary, decrease CPLD_PENDING by 1. The number of credit-boundary crossings is given by:

$$\text{DATA_CROSSED} = \text{ceiling}[\text{((Lower_Address mod 16 B) + Length) / 16 B}]$$

Alternatively, you can load a register CUR_ADDR with Lower_Address at the start of each incoming Completion, increment per DW or QW as appropriate, then count an RCB whenever CUR_ADDR rolls over each 16-byte address boundary.

This method is the least wasteful but requires the greatest amount of user logic. If even finer granularity is desired, you can scale the Total_CplD value by 2 or 4 to get the number of Completion QWORDS or DWORDS, respectively, and adjust the data calculations accordingly.

STREAM_FC Method

When configured as an Endpoint, user applications can maximize Downstream (away from Root Complex) data throughput by streaming Memory Read Transactions Upstream (towards the Root Complex) at the highest rate allowed on the Integrated Block Transaction transmit interface. Streaming Memory Reads are allowed only if `m_axis_rx_tready` can be held asserted; so that Downstream Completion Transactions, along with Posted Transactions, can be presented on the integrated block receive transaction interface and processed at line rate. Asserting `m_axis_rx_tready` in this manner guarantees that the Completion space within the receive buffer is not oversubscribed (that is, Receiver Overflow does not occur).

PCIE_2_1 Port Descriptions

This appendix describes the physical interfaces visible on the 7 Series FPGAs Integrated Block software primitive, PCIE_2_1.

This appendix contains these sections:

- [Clock and Reset Interface](#)
- [Transaction Layer Interface](#)
- [Block RAM Interface](#)
- [GTX Transceiver Interface](#)
- [Configuration Management Interface](#)
- [Dynamic Reconfiguration Port Interface](#)
- [TL2 Interface Ports](#)

Clock and Reset Interface

[Table D-1](#) defines the ports in the Clock and Reset interface.

Table D-1: Clock and Reset Interface Port Descriptions

Port	Direction	Clock Domain	Description
CMRSTN	Input	USERCLK	Configuration Management reset (active-Low). This input resets the PCI™ Configuration Space of the integrated block.
CMSTICKYRSTN	Input	USERCLK	Sticky configuration reset (active-Low). This input resets the sticky registers in the PCI Configuration Space of the integrated block.
DLRSTN	Input	USERCLK	Data Link Layer reset (active-Low). This input resets the Data Link Layer (DLL) of the integrated block.
FUNCLVLRSTN	Input	USERCLK	Not supported. This input must be tied High.
PIPECLK	Input	PIPECLK	PIPE interface clock.
PLRECEIVEDHOTRST	Output	PIPECLK	Received hot reset. When asserted, this output indicates an in-band hot reset has been received.

Table D-1: Clock and Reset Interface Port Descriptions (Cont'd)

Port	Direction	Clock Domain	Description
PLRSTN	Input	PIPECLK	Physical Layer reset (active-Low). This input resets the Physical Layer of the integrated block.
PLTRANSMITHOTRST	Input	PIPECLK	Transmit hot reset. When asserted, this input directs the integrated block to transmit an in-band hot reset.
RECEIVEDFUNCLVLRSTN	Output	USERCLK	Not supported.
SYSRSTN	Input	NONE	Asynchronous system reset (active-Low). When this input is asserted the integrated block is reset.
TLRSTN	Input	USERCLK	Transaction Layer reset (active-Low). This input resets the Transaction Layer of the integrated block.
USERCLK	Input	USERCLK	User interface clock.
USERCLK2	Input	USERCLK	User interface clock 2.
USERRSTN	Output	USERCLK	User interface reset (active-Low). This output should be used to reset the user design logic (it is asserted when the integrated block is reset).

Transaction Layer Interface

Packets are presented to and received from the integrated block Transaction Layer through the Transaction Layer interface. Table D-2 defines the ports in the Transaction Layer interface.

Table D-2: Transaction Layer Interface Port Descriptions

Port	Direction	Clock Domain	Description
TRNFCCPLD[11:0]	Output	USERCLK	Completion Data Flow Control Credits. This output contains the number of Completion Data FC credits for the selected flow control type.
TRNFCCPLH[7:0]	Output	USERCLK	Completion Header Flow Control Credits. This output contains the number of Completion Header FC credits for the selected flow control type.
TRNFCNPD[11:0]	Output	USERCLK	Non-Posted Data Flow Control Credits. This output contains the number of Non-Posted Data FC credits for the selected flow control type.
TRNFCNPH[7:0]	Output	USERCLK	Non-Posted Header Flow Control Credits. This output contains the number of Non-Posted Header FC credits for the selected flow control type.
TRNFCPD[11:0]	Output	USERCLK	Posted Data Flow Control Credits. This output contains the number of Posted Data FC credits for the selected flow control type.
TRNFCPH[7:0]	Output	USERCLK	Posted Header Flow Control Credits. This output contains the number of Posted Header FC credits for the selected flow control type.

Table D-2: Transaction Layer Interface Port Descriptions (Cont'd)

Port	Direction	Clock Domain	Description
TRNFCSEL[2:0]	Input	USERCLK	Flow Control Informational Select. This input selects the type of flow control information presented on the TRNFC* signals. Valid values are: <ul style="list-style-type: none"> • 000b: Receive buffer available space • 001b: Receive credits granted to the link partner • 010b: Receive credits consumed • 100b: Transmit user credits available • 101b: Transmit credit limit • 110b: Transmit credits consumed
TRNLNKUP	Output	USERCLK	Link status output (active-High). When this output is asserted, the Data Link Control and Management State Machine (DLCMSM) is in the DLACTIVE state.
TRNRBARHIT[6:0]	Output	USERCLK	Receive BAR Hit (active-High). This output indicates the BAR(s) targeted by the current receive transaction: <ul style="list-style-type: none"> • TRNRBARHIT[0]: BAR0 • TRNRBARHIT[1]: BAR1 • TRNRBARHIT[2]: BAR2 • TRNRBARHIT[3]: BAR3 • TRNRBARHIT[4]: BAR4 • TRNRBARHIT[5]: BAR5 • TRNRBARHIT[6]: Expansion ROM Address • TRNRBARHIT[7]: Reserved for future use If two BARs are configured into a single 64-bit address, both corresponding TRNRBARHITN bits are asserted.
TRNRD[127:0]	Output	USERCLK	Receive Data. This bus contains the packet data being received.
TRNRDSTRDY	Input	USERCLK	Receive Destination Ready (active-High). This input is asserted to indicate that the user application is ready to accept data on TRNRD. Simultaneous assertion of TRNRSRCRDY and TRNRDSTRDY marks the successful transfer of data on TRNRD.
TRNRERCERR	Output	USERCLK	Receive ECRC Error (active-High). When asserted, this output indicates the current packet in progress has an ECRC error. It is asserted by the integrated block at the packet EOF.
TRNREOF	Output	USERCLK	Receive End-of-Frame (active-High). When asserted, this output indicates the end of a packet.
TRNRERRFWD	Output	USERCLK	Receive Error Forward (active-High). This output marks the current packet in progress as error-poisoned. It is asserted by the integrated block for the entire length of the packet.
TRNRFCPRET	Input	USERCLK2	Receive Posted Flow Control Credit Return. When asserted for one cycle, this input sets a condition that allows the posted credits to be transmitted to the link partner. The condition is cleared when the posted flow control credits are transmitted.

Table D-2: Transaction Layer Interface Port Descriptions (Cont'd)

Port	Direction	Clock Domain	Description
TRNRNPOK	Input	USERCLK	Receive Non-Posted OK (active-High). The user application asserts this input whenever it is ready to accept a Non-Posted Request packet. This allows Posted and Completion packets to bypass Non-Posted packets in the inbound queue if necessitated by the user application. When the user application approaches a state where it is unable to service Non-Posted Requests, it must deassert TRNRNPOK one clock cycle before the integrated block presents TRNREOF of the last Non-Posted TLP the user application can accept.
TRNRNPREQ	Input	USERCLK2	Receive Non-Posted Request. When asserted, this input requests one non-posted TLP from the integrated block.
TRNRREM[1:0]	Output	USERCLK2	<p>Receive Data Word Enable. This output is valid only if both TRNREOF and TRNRDSTRDY are asserted. Bit 1 is valid only when the datapath is 128 bits.</p> <p>When combined with TRNREOF and TRNRSOF, this output indicates which words of the TRNRD are valid.</p> <ul style="list-style-type: none"> • 64-bit interface: <ul style="list-style-type: none"> TRNRREM[0] = 1, packet data on all of TRNRD[63:0] TRNRREM[0] = 0, packet data only on TRNRD[63:32] • 128-bit interface: <ul style="list-style-type: none"> TRNRREM[1]: Valid only if TRNRSRCRDY and TRNRDSTRDY are asserted. When asserted along with TRNRSOF or TRNREOF, indicates the location of start-of-frame (SOF) and/or end-of-frame (EOF) within the beat. <ul style="list-style-type: none"> ◦ TRNRREM[1] = 1: Indicates TRNRD[127:64] has SOF and/or TRNRD[63:0] has EOF ◦ TRNRREM[1] = 0: Indicates TRNRD[127:64] has EOF and/or TRNRD[63:0] has SOF TRNRREM[0]: Valid only if TRNREOF, TRNRSRCRDY, and TRNRDSTRDY are all asserted If TRNRREM[1] = 1: <ul style="list-style-type: none"> ◦ TRNRREM[0] = 1, packet data is on all of TRNRD[127:0] ◦ TRNRREM[0] = 0, packet data is only on TRNRD[127:32] If TRNRREM[1] = 0: <ul style="list-style-type: none"> ◦ TRNRREM[0] = 1, packet data on all of TRNRD[127:64] ◦ TRNRREM[0] = 0, packet data only on TRNRD[127:96]
TRNRSOF	Output	USERCLK	Receive Start-of-Frame (active-High). When asserted, this output indicates the start of a packet.
TRNRSRCDSC	Output	USERCLK	Receive Source Discontinue (active-High). When asserted, this output indicates that the integrated block is aborting the current packet transfer. It is asserted when the physical link is going into reset.
TRNRSRCRDY	Output	USERCLK	Receive Source Ready (active-High). When asserted, this output indicates that the integrated block is presenting valid data on TRNRD.

Table D-2: Transaction Layer Interface Port Descriptions (Cont'd)

Port	Direction	Clock Domain	Description
TRNTBUFAV[5:0]	Output	USERCLK	Transmit Buffers Available. This output provides the number of transmit buffers available in the integrated block. The maximum number is 32. Each transmit buffer can accommodate one TLP up to the supported maximum payload size.
TRNTCFGGNT	Input	USERCLK	Transmit Configuration Grant (active-High). The user application asserts this input in response to TRNTCFGREQ, to allow the integrated block to transmit an internally generated TLP. If the user does not need to postpone internally generated TLPs, this signal can be continuously asserted.
TRNTCFGREQ	Output	USERCLK	Transmit Configuration Request (active-High). This output is asserted when the integrated block is ready to transmit a Configuration Completion or other internally generated TLP.
TRNTD[127:0]	Input	USERCLK	Transmit Data. This bus contains the packet data to be transmitted.
TRNTDSTRDY[3:0]	Output	USERCLK	Transmit Destination Ready (active-High). When asserted, this output indicates that the integrated block is ready to accept data on TRNTD. Simultaneous assertion of TRNTSRCRDY and TRNTDSTRDY marks a successful transfer of data on TRNTD.
TRNTECRGEN	Input	USERCLK	Transmit ECRC Generate (active-High). When asserted, this input causes the TLP Digest to be recalculated (if present) or appended (if not present). This input must be asserted along with packet SOF.
TRNTEOF	Input	USERCLK	Transmit End-of-Frame (active-High). This input signals the end of a packet.
TRNTERRDROP	Output	USERCLK	Transmit Error Drop (active-High). When asserted, this output indicates that the integrated block discarded a packet because of a length violation or, when streaming, data was not presented on consecutive clock cycles. Length violations include packets longer than supported or packets whose payload does not match the payload advertised in the TLP header length field.
TRNTERRFWD	Input	USERCLK	Transmit Error Forward (active-High). This input marks the current packet in progress as error-poisoned. It can be asserted any time between SOF and EOF, inclusive.
TRNTREM[1:0]	Input	USERCLK2	Transmit Data Remainder. Valid only if TRNTEOF, TRNTSRCRDY, and TRNTDSTRDY are all asserted. <ul style="list-style-type: none"> 64-bit interface Valid values are: <ul style="list-style-type: none"> TRNTREM = 1, packet data on TRNTD[63:0] TRNTREM = 0, packet data on TRNTD[63:32] 128-bit interface TRNTREM[1:0] is used for the 128-bit interface. Valid values are: <ul style="list-style-type: none"> TRNTREM[1:0] = 11, packet data on TRNTD[127:0] TRNTREM[1:0] = 10, packet data on TRNTD[127:32] TRNTREM[1:0] = 01, packet data on TRNTD[127:64] TRNTREM[1:0] = 00, packet data on TRNTD[127:96]
TRNTSOF	Input	USERCLK	Transmit Start-of-Frame (active-High). When asserted, this input indicates the start of a packet.

Table D-2: Transaction Layer Interface Port Descriptions (Cont'd)

Port	Direction	Clock Domain	Description
TRNTRCDSC	Input	USERCLK	Transmit Source Discontinue (active-High). When asserted, this input indicates that the user application is aborting the current packet.
TRNTRCRDY	Input	USERCLK	Transmit Source Ready (active-High). When asserted, this input indicates that the user application is presenting valid data on TRNTD.
TRNTSTR	Input	USERCLK	Transmit Streamed (active-High). When asserted, this input indicates a packet is presented on consecutive clock cycles and transmission on the link can begin before the entire packet has been written to the integrated block.

Block RAM Interface

The Transmit (TX) and Receive (RX) buffers are implemented with block RAM. [Table D-3](#) defines the TX buffer and RX buffer ports for the Block RAM interface.

Table D-3: Block RAM Interface Port Descriptions

Port	Direction	Clock Domain	Description
MIMRXRADDR[12:0]	Output	USERCLK	RX buffer read address
MIMRXRDATA[67:0]	Input	USERCLK	RX buffer read data
MIMRXREN	Output	USERCLK	RX buffer read enable
MIMRXWADDR[12:0]	Output	USERCLK	RX buffer write address
MIMRXWDATA[67:0]	Output	USERCLK	RX buffer write data
MIMRXWEN	Output	USERCLK	RX buffer write enable
MIMTXRADDR[12:0]	Output	USERCLK	TX buffer read address
MIMTXRDATA[68:0]	Input	USERCLK	TX buffer read data
MIMTXREN	Output	USERCLK	TX buffer read enable
MIMTXWADDR[12:0]	Output	USERCLK	TX buffer write address
MIMTXWDATA[68:0]	Output	USERCLK	TX buffer write data
MIMTXWEN	Output	USERCLK	TX buffer write enable

GTX Transceiver Interface

The GTX Transceiver interface consists of these signal groupings:

- [GTX Transceiver Ports](#)
- [PIPE per Lane Ports](#)

GTX Transceiver Ports

[Table D-4](#) defines the transceiver ports within the GTX Transceiver interface.

Table D-4: GTX Transceiver Port Descriptions

Port	Direction	Clock Domain	Description
PLSELLNKRATE	Output	PIPECLK	This output reports the current link rate (driven by a separate flip-flop to control the PIPECLK BUFGMUX): <ul style="list-style-type: none"> • 0b: 2.5 GB/s • 1b: 5.0 GB/s
PLSELLNKWIDTH[1:0]	Output	PIPECLK	This output reports the current link width: <ul style="list-style-type: none"> • 00b: x1 • 01b: x2 • 10b: x4 • 11b: x8

Table D-4: GTX Transceiver Port Descriptions (Cont'd)

Port	Direction	Clock Domain	Description
PLLTSSMSTATE[5:0]	Output	PIPECLK	This output shows the current LTSSM state: <ul style="list-style-type: none"> • 000000b: Det Quiet • 000001b: Det Quiet Gen2 • 000010b: Det Active • 000011b: Det Active Second • 000100b: Pol Active • 000101b: Pol config • 000110b: Pol Comp Pre Send Eios • 000111b: Pol Comp Pre Timeout • 001000b: Pol Comp Send Pattern • 001001b: Pol Comp Post Send Eios • 001010b: Pol Comp Post Timeout • 001011b: Cfg Lwidth St0 • 001100b: Cfg Lwidth St1 • 001101b: Cfg Lwidth Ac0 • 001110b: Cfg Lwidth Ac1 • 001111b: Cfg Lnum Wait • 010000b: Cfg Lnum Acpt • 010001b: Cfg Complete1 • 010010b: Cfg Complete2 • 010011b: Cfg Complete4 • 010100b: Cfg Complete8 • 010101b: Cfg Idle

Table D-4: GTX Transceiver Port Descriptions (Cont'd)

Port	Direction	Clock Domain	Description
PLLTSSMSTATE[5:0] (Cont'd)	Output	PIPECLK	This output shows the current LTSSM state: <ul style="list-style-type: none"> • 010110b: L0 • 010111b: L1 Entry0 • 011000b: L1 Entry1 • 011001b: L1 Entry2 • 011010b: L1 Idle • 011011b: L1 Exit • 011100b: Rec Rcvrlock • 011101b: Rec Rcvrcfg • 011110b: Rec Speed 0 • 011111b: Rec Speed 1 • 100000b: Rec Idle • 100001b: Hot Rst • 100010b: Disabled Entry0 • 100011b: Disabled Entry1 • 100100b: Disabled Entry2 • 100101b: Disabled Idle • 100110b: Dp Cfg Lwidth St0 • 100111b: Dp Cfg Lwidth St1 • 101000b: Dp Cfg Lwidth St2 • 101001b: Dp Cfg Lwidth Ac0 • 101010b: Dp Cfg Lwidth Ac1 • 101011b: Dp Cfg Lnum Wait • 101100b: Dp Cfg Lnum Acpt • 101101b: To 2 Detect • 101110b: Lpbk Entry0 • 101111b: Lpbk Entry1 • 110000b: Lpbk Active0 • 110001b: Lpbk Exit0 • 110010b: Lpbk Exit1 • 110011b: Lpbkm Entry0 • 110100b - 111111b: Reserved
PLLANEREVERSALMODE[1:0]	Output	PIPECLK	This output shows the current Lane Reversal mode: <ul style="list-style-type: none"> • 00b: No reversal • 01b: Lanes 1:0 reversed • 10b: Lanes 3:0 reversed • 11b: Lanes 7:0 reversed
PLPHYLNKUPN	Output	PIPECLK	This active-Low output indicates the Physical Layer link up status.

Table D-4: GTX Transceiver Port Descriptions (Cont'd)

Port	Direction	Clock Domain	Description
PLDIRECTEDLINKCHANGE[1:0]	Input	PIPECLK	This input directs the LTSSM to initiate a link width and/or speed change: <ul style="list-style-type: none"> • 00b: No change • 01b: Force link width • 10b: Force link speed • 11b: Force link width and speed (level-triggered)
PLDIRECTEDLINKWIDTH[1:0]	Input	PIPECLK	This input specifies the target link width for a directed link change operation (it is only acted on when DIRECTEDLINKCHANGE[0] is 1b): <ul style="list-style-type: none"> • 00b: x1 • 01b: x2 • 10b: x4 • 11b: x8
PLDIRECTEDLINKSPEED	Input	PIPECLK	This input specifies the target link speed for a directed link change operation (only acted on when DIRECTEDLINKCHANGE[1] is 1b): <ul style="list-style-type: none"> • 0b: 2.5 GB/s • 1b: 5.0 GB/s
PLDIRECTEDLTSSMNEW[5:0]	Input	PIPECLK	Tie-off to 000000.
PLDIRECTEDLTSSMNEWVLD	Input	PIPECLK	Tie-off to 0.
PLDIRECTEDLTSSMSTALL	Input	PIPECLK	Tie-off to 0.
PLDIRECTEDCHANGEDONE	Output	PIPECLK	This output indicates that the directed link speed change or directed link width change is done.
PLDIRECTEDLINKAUTON	Input	PIPECLK	This input specifies link reliability or autonomous for directed link change operation: <ul style="list-style-type: none"> • 0b: Link reliability • 1b: Autonomous
PLTXPMSTATE[2:0]	Output	PIPECLK	This output indicates the TX power management state: <ul style="list-style-type: none"> • 000b: TXNOTINLOS • 001b: TXLOENTRY • 010b: TXLOSIDLE • 011b: TXLOSFTS • 100b - 111b: Reserved
PLRXPMSTATE[1:0]	Output	PIPECLK	This output indicates the RX power management state: <ul style="list-style-type: none"> • 00b: RXNOTINLOS • 01b: RXLOENTRY • 10b: RXLOSIDLE • 11b: RXLOSFTS

Table D-4: GTX Transceiver Port Descriptions (Cont'd)

Port	Direction	Clock Domain	Description
PLLINKUPCFGCAP	Output	PIPECLK	When this output is High, the link is upconfigure capable (the link partner advertised upconfigure capability [symbol 4, bit 6] in the TS2s while in the Config.Complete state, and the device is upconfigure capable).
PLLINKGEN2CAP	Output	PIPECLK	A High on this output indicates that the link is 5.0 GB/s capable (the link partner advertised a 5.0 GB/s data rate during the last transition from Recovery.RcvrCfg or Config.Complete to the L0 state and the device is 5.0 GB/s capable).
PLLINKPARTNERGEN2SUPPORTED	Output	PIPECLK	This output is driven High if the link partner supports a 5.0 GB/s data rate (advertised at least after the 5.0 GB/s data rate was detected upon exiting, while transitioning from Recovery.RcvrCfg or Config.Complete to the L0 state).
PLINITIALLINKWIDTH[2:0]	Output	PIPECLK	This output specifies the initial negotiated link width (when the first entry to Config.Idle from detect was successfully completed). <ul style="list-style-type: none"> • 000b: Link not trained yet • 001b: x1 • 010b: x2 • 011b: x4 • 100b: x8
PLUPSTREAMPREFERDEEMPH	Input	PIPECLK	This input indicates the preferred de-emphasis of an Endpoint. This input is used only when the UPSTREAM_FACING attribute is set to TRUE. <ul style="list-style-type: none"> • 0b: -6 dB • 1b: -3.5 dB
PLDOWNSTREAMDEEMPHSOURCE	Input	PIPECLK	The downstream Root Port selects the de-emphasis used on the link at 5.0 GB/s. <ul style="list-style-type: none"> • 0b: Use Upstream Link Partner preferred de-emphasis • 1b: Use the Selectable De-Emphasis value from the Link Control 2 Register (only used when the UPSTREAM_FACING attribute is set to FALSE)
PIPETXRCDDET	Output	PIPECLK	When asserted, this output either initiates a receiver detection operation (in power state P1) or begins loopback (in power state P0).
PIPETXRESET	Output	PIPECLK	When asserted, this output resets the PCS portion of the GTX transceiver.
PIPETXRATE	Output	PIPECLK	This output controls the link signaling rate (connects to the GTX transceiver): <ul style="list-style-type: none"> • 0b: Use a 2.5 GB/s signaling rate • 1b: Use a 5.0 GB/s signaling rate

Table D-4: GTX Transceiver Port Descriptions (Cont'd)

Port	Direction	Clock Domain	Description
PIPETXDEEMPH	Output	PIPECLK	This output selects the transmitter de-emphasis: <ul style="list-style-type: none"> • 0b: -6 dB de-emphasis • 1b: -3.5 dB de-emphasis
PIPETXMARGIN[2:0]	Output	PIPECLK	This output selects the transmitter voltage levels: <ul style="list-style-type: none"> • 000b: Normal operating range • 001b: 1200 mV for full swing OR 400 - 700 mV for half swing • 010b: Required and vendor defined • 011b: Required and vendor defined • 100b: Required and 200 - 400 mV for full swing OR 100 - 200 mV for half swing if the last value or vendor defined • 101b: Optional and 200 - 400 mV for full swing OR 100 - 200 mV for half swing if the last value OR vendor defined OR Reserved if no other values supported • 110b: Optional and 200 - 400 mV for full swing OR 100 - 200 mV for half swing • 111b: Optional and 200 - 400 mV for full swing OR 100 - 200 mV for half swing if the last value OR Reserved if no other values supported

PIPE per Lane Ports

Table D-5 defines the PIPE per Lane ports within the GTX Transceiver interface. There are eight copies of the PIPE per lane ports, one for each lane ($n = 0$ to 7).

Table D-5: PIPE per Lane Port Descriptions

Port	Direction	Clock Domain	Description
PIPERX n CHANISALIGNED	Input	PIPECLK	When this input is asserted, the channel is properly aligned with the master transceiver according to the observed channel bonding sequences in the data stream.
PIPERX n CHARISK[1:0]	Input	PIPECLK	This input determines the control bit(s) for received data: <ul style="list-style-type: none"> • 0b: Data byte • 1b: Control byte The lower bit corresponds to the lower byte of PIPERX n DATA[15:0] while the upper bit describes the upper byte.
PIPERX n DATA[15:0]	Input	PIPECLK	This input provides the received data.
PIPERX n ELECIDLE	Input	PIPECLK	This asynchronous input indicates electrical idle on the RX.

Table D-5: PIPE per Lane Port Descriptions (Cont'd)

Port	Direction	Clock Domain	Description
PIPERX _n PHYSTATUS	Input	PIPECLK	This input indicates completion of GTX transceiver functions, such as Power Management state transitions and receiver detection on lane <i>n</i> . The completion is indicated by a single cycle assertion of PIPERX _n PHYSTATUS.
PIPERX _n POLARITY	Output	PIPECLK	When High, this output instructs the GTX transceiver to invert polarity (on the RX differential pair).
PIPERX _n STATUS[2:0]	Input	PIPECLK	This input encodes the receiver status and error codes for the received data stream and receiver detection on lane <i>n</i> : <ul style="list-style-type: none"> • 000b: Data received OK • 001b: 1 SKP added • 010b: 1 SKP removed • 011b: Receiver Detected • 100b: 8B/10B decode error • 101b: Elastic Buffer overflow • 110b: Elastic Buffer underflow • 111b: Receive disparity error
PIPERX _n VALID	Input	PIPECLK	This input indicates the presence of symbol lock and valid data on PIPERX0DATA and PIPERX0CHARISK.
PIPETX _n CHARISK[1:0]	Output	PIPECLK	This output defines the control bit(s) for transmit data: <ul style="list-style-type: none"> • 0b: Data byte • 1b: Control byte The lower bit corresponds to the lower byte of PIPETX _n DATA[15:0] while the upper bit describes the upper byte.
PIPETX _n COMPLIANCE	Output	PIPECLK	When asserted, this output forces the running disparity to negative. It is used only when the compliance pattern is transmitted.
PIPETX _n DATA[15:0]	Output	PIPECLK	This output contains the transmit data.
PIPETX _n ELECIDLE	Output	PIPECLK	This output forces the transmit output to electrical idle in all power states.
PIPETX _n POWERDOWN[1:0]	Output	PIPECLK	This output is the Power Management signal for the transmitter for lane <i>n</i> : <ul style="list-style-type: none"> • 00b: P0 (Normal operation) • 01b: P0s (Low recovery time power-saving state) • 10b: P1 (Longer recovery time power state) • 11b: Reserved

Configuration Management Interface

The Configuration Management Interface contains these signal groupings:

- [Management Interface Ports](#)
- [Error Reporting Ports](#)
- [Interrupt Generation and Status Ports](#)
- [Root Port Specific Ports](#)
- [Received Message TLP Status Ports](#)
- [Power Management Ports](#)
- [Received Configuration TLP Status Ports](#)
- [Configuration-Specific Register Ports](#)
- [Miscellaneous Configuration Management Ports](#)

Management Interface Ports

Table D-6 defines the Management Interface ports within the Configuration Management interface. These ports are used when reading and writing the Configuration Space Registers.

Table D-6: Management Interface Port Descriptions

Port	Direction	Clock Domain	Description
CFGMGMTBYTEENN[3:0]	Input	USERCLK	Management Access Byte Enable (active-Low). This 4-bit input provides the byte enables for the configuration register access signal.
CFGMGMTDI[31:0]	Input	USERCLK	Management Data In. This 32-bit data input provides write data to the configuration space inside the integrated block.
CFGMGMTDO[31:0]	Output	USERCLK	Management Data Out. This 32-bit data output obtains read data from the configuration space inside the integrated block.
CFGMGMTDWADDR[9:0]	Input	USERCLK	Management DWORD Address. This 10-bit address input provides a configuration register DWORD address during configuration register accesses.
CFGMGMTRDENN	Input	USERCLK	Management Read Enable (active-Low). This input is the read-enable for configuration register accesses.
CFGMGMTRDWRDONEN	Output	USERCLK	Management Read or Write Done (active-Low). The read-write done signal indicates successful completion of the user configuration register access operation. For a user configuration register read operation, this signal validates the value of the CFGMGMTDO[31:0] data bus.

Table D-6: Management Interface Port Descriptions (Cont'd)

Port	Direction	Clock Domain	Description
CFGMGMTWRENN	Input	USERCLK	Management Write Enable (active-Low). This input is the write-enable for configuration register accesses.
CFGMGMTWRREADONLYN	Input	USERCLK	Management Write Read-only Bits (active-Low). When asserted, this input indicates the current write should treat a read-only (RO) bit as a read/write (RW) bit, not including bits set by attributes, reserved bits, and bits that reflect status. This permits you to change RO bits (the bit remains RO for link-side accesses).
CFGMGMTWRRW1CASRWN	Input	USERCLK	Management Write RW1C Bit As RW (active-Low). When asserted, this input indicates the current write should treat any RW1C bit as a RW bit. An RW1C bit is cleared by writing a 1 to it and can normally only be set by internal integrated block conditions. The user uses this signal to set the bit to 1.

Error Reporting Ports

Table D-7 defines the Error Reporting ports within the Configuration Management interface.

Table D-7: Error Reporting Port Descriptions

Port	Direction	Clock Domain	Description
CFGERRACSN	Input	USERCLK	Configuration Error Access Control Services (ACS) Violation (active-Low). The user application assert this signal to report an ACS Violation.
CFGERRAERHEADERLOG[127:0]	Input	USERCLK	Configuration Error AER Header Log. This 128-bit input accepts the header information for the AER Header Log when an error is signaled. Tie-off to 0.
CFGERRAERHEADERLOGSETN	Output	USERCLK	Not used.
CFGERRATOMICEGRESSBLOCKEDN	Input	USERCLK2	Configuration Error AtomicOp Egress Blocked (active-Low). The user application asserts this signal to report that an Atomic TLP was blocked.
CFGERRCORN	Input	USERCLK	Configuration Error Correctable Error (active-Low). The user application asserts this signal to report a Correctable Error.
CFGERRCPLABORTN	Input	USERCLK	Configuration Error Completion Aborted (active-Low). The user application asserts this signal to report a completion was aborted. This signal is ignored if CFGERRCPLRDYN is deasserted.

Table D-7: Error Reporting Port Descriptions (Cont'd)

Port	Direction	Clock Domain	Description
CFGERRCPLRDYN	Output	USERCLK	Configuration Error TLP Completion Header FIFO Ready (active-Low). When this output is asserted, the internal FIFO that buffers headers from CFGERRTLPCPLHEADER[47:0] can accept entries. When this output is deasserted, CFGERRURN and CFGERRCPLABORTN are ignored by the integrated block.
CFGERRCPLTIMEOUTN	Input	USERCLK	Configuration Error Completion Timeout (active-Low). The user application asserts this signal to report a completion timed out.
CFGERRCPLUNEXPECTN	Input	USERCLK	Configuration Error Completion Unexpected (active-Low). The user application asserts this signal to report that an unexpected completion was received.
CFGERRECRN	Input	USERCLK	ECRC Error Report (active-Low). The user application asserts this signal to report an end-to-end CRC (ECRC) error.
CFGERRINTERNALCORN	Input	USERCLK2	Configuration Error Corrected Internal (active-Low). The user application asserts this signal to report that an Internal error occurred and was corrected.
CFGERRINTERNALUNCORN	Input	USERCLK2	Configuration Error Uncorrectable Internal (active-Low). The user application asserts this signal to report that an Uncorrectable Internal error occurred.
CFGERRLOCKEDN	Input	USERCLK	Configuration Error Locked (active-Low). This input is used to further qualify the CFGERRURN or CFGERRCPLABORTN input signal. When this input is asserted concurrently with one of those two signals, it indicates that the transaction that caused the error was an MRdLk transaction and not an MRd. The integrated block generates a CplLk instead of a Cpl if the appropriate response is to send a Completion.
CFGERRMALFORMEDN	Input	USERCLK2	Configuration Error Malformed Error (active-Low). The user application asserts this signal to report a Malformed Error.
CFGERRMCBLOCKEDN	Input	USERCLK2	Configuration Error Multicast Blocked (active-Low). The user application asserts this signal to report that a Multicast TLP was blocked.

Table D-7: Error Reporting Port Descriptions (Cont'd)

Port	Direction	Clock Domain	Description
CFGERRNORECOVERYN	Input	USERCLK2	Configuration Error Cannot Recover (active-Low). This input further qualifies the CFGERRPOISONEDN and CFGERRCPLTIMEOUTN inputs. When this input is asserted concurrently with one of these inputs, it indicates that the transaction that caused these errors is not recoverable. Thus, for a Completion Timeout, you can elect not to re-attempt the Request. For a received Poisoned TLP, you cannot continue operation.
CFGERRPOISONEDN	Input	USERCLK2	Configuration Error Poisoned TLP (active-Low). The user application asserts this signal to report that a Poisoned TLP was received. This input is only used if the DISABLE_RX_POISONED_RESP attribute is 1.
CFGERRPOSTEDN	Input	USERCLK	Configuration Error Posted (active-Low). This input is used to further qualify any of the CFGERR* input signals. When this input is asserted concurrently with one of the other signals, it indicates that the transaction that caused the error was a posted transaction.
CFGERRTLPCPLHEADER[47:0]	Input	USERCLK	Configuration Error TLP Completion Header. This 48-bit input accepts the header information when an error is signaled. This information is required so that the integrated block can issue a correct completion, if required. This information should be extracted from the received error TLP and presented in the listed format: [47:41] Lower Address [40:29] Byte Count [28:26] TC [25:24] Attr [23:8] Requester ID [7:0] Tag
CFGERRURN	Input	USERCLK	Configuration Error Unsupported Request (active-Low). The user application asserts this signal to report that an Unsupported Request (UR) was received. This signal is ignored if CFGERRCPLRDYN is deasserted.

Interrupt Generation and Status Ports

Table D-8 defines the Interrupt Generation and Status ports within the Configuration Management interface.

Table D-8: Interrupt Generation and Status Port Descriptions

Port	Direction	Clock Domain	Description
CFGINTERRUPTASSERTN	Input	USERCLK	Configuration Legacy Interrupt Assert/Deassert Select. This input selects between Assert and Deassert messages for Legacy interrupts when CFGINTERRUPTN is asserted. It is not used for MSI interrupts. Value Message Type: <ul style="list-style-type: none"> • 0b: Assert • 1b: Deassert
CFGINTERRUPTDI[7:0]	Input	USERCLK	Configuration Interrupt Data In. For Message Signaling Interrupts (MSI), this input provides the portion of the Message Data that the Endpoint must drive to indicate MSI vector number, if Multi-Vector Interrupts are enabled. The value indicated by CFGINTERRUPTMMENABLE[2:0] determines the number of lower-order bits of Message Data that the Endpoint provides; the remaining upper bits of CFGINTERRUPTDI[7:0] are not used. For Single-Vector Interrupts, CFGINTERRUPTDI[7:0] is not used. For Legacy Interrupt Messages (ASSERTINTX, DEASSERTINTX), this input indicates which message type is sent, where Value Legacy Interrupt is: <ul style="list-style-type: none"> • 00h: INTA • 01h: INTB • 02h: INTC • 03h: INTD
CFGINTERRUPTDO[7:0]	Output	USERCLK	Configuration Interrupt Data Out. This output is the value of the lowest eight bits of the Message Data field in the Endpoint MSI capability structure. This value is used in conjunction with CFGINTERRUPTMMENABLE[2:0] to drive CFGINTERRUPTDI[7:0].
CFGINTERRUPTMMENABLE[2:0]	Output	USERCLK	Configuration Interrupt Multiple Message Enabled. This output has the value of the Multiple Message Enable field, where values range from 000b to 101b. A value of 000b indicates that single vector MSI is enabled. Other values indicate the number of bits that can be used for multi-vector MSI.

Table D-8: Interrupt Generation and Status Port Descriptions (Cont'd)

Port	Direction	Clock Domain	Description
CFGINTERRUPTMSIENABLE	Output	USERCLK	Configuration Interrupt MSI Enabled. <ul style="list-style-type: none"> • 0: Only Legacy (INTx) interrupts can be sent • 1: The Message Signaling Interrupt (MSI) messaging is enabled
CFGINTERRUPTMSIXENABLE	Output	USERCLK	Configuration Interrupt MSIX Enabled. When asserted, this output indicates that the Message Signaling Interrupt (MSI-X) messaging is enabled.
CFGINTERRUPTMSIXFM	Output	USERCLK	Configuration Interrupt MSIX Function Mask. This output indicates the state of the Function Mask bit in the MSI-X Message Control field.
CFGINTERRUPTN	Input	USERCLK	Configuration Interrupt Request (active-Low). When asserted, this input causes the selected interrupt message type to be transmitted by the integrated block. The signal should be asserted until CFGINTERRUPTRDYN is asserted.
CFGINTERRUPTRDYN	Output	USERCLK	Configuration Interrupt Ready (active-Low). This output is the interrupt grant signal. The simultaneous assertion of CFGINTERRUPTRDYN and CFGINTERRUPTN indicates that the integrated block has successfully transmitted the requested interrupt message.
CFGINTERRUPTSTATN	Input	USERCLK2	Configuration Interrupt Status. If the INTERRUPT_STAT_AUTO attribute is set to 0: <ul style="list-style-type: none"> • When this input is asserted, the Interrupt Status bit (bit 3) in the Status register is set. • When this input is deasserted, the Interrupt Status bit (bit 3) in the Status register is unset.

Root Port Specific Ports

Table D-9 defines the Root Port Specific ports within the Configuration Management interface.

Table D-9: Root Port Specific Port Descriptions

Port	Direction	Clock Domain	Description
CFGDSBUSNUMBER[7:0]	Input	USERCLK	Configuration Downstream Bus Number. This 8-bit input provides the bus number portion of the Requester ID (RID) of the Root Port, which is used in TLPs generated inside the integrated block, such as UR Completions and Power-Management messages. It does not affect TLPs presented on the TRN interface. Tie-off to 0 for Endpoints.
CFGDSDEVICENUMBER[4:0]	Input	USERCLK	Configuration Downstream Device Number. This 5-bit input provides the device number portion of the RID of the Root Port, which is used in TLPs generated inside the integrated block, such as UR Completions and Power-Management messages. It does not affect TLPs presented on the TRN interface. Tie-off to 0 for Endpoints.
CFGDSFUNCTIONNUMBER[2:0]	Input	USERCLK	Configuration Downstream Function Number. This 3-bit input provides the function number portion of the RID of the Root Port. This is used in TLPs generated inside the integrated block, such as UR Completions and Power-Management messages. It does not affect TLPs presented on the TRN interface. Tie-off to 0 for Endpoints.
CFGPORTNUMBER[7:0]	Input	USERCLK	Configuration Root Port Number. This 8-bit input provides the port number field in the Link Capabilities Register. Tie-off to 0 for Endpoints.

Received Message TLP Status Ports

Table D-10 defines the Received Message TLP Status ports within the Configuration Management interface.

Table D-10: Received Message TLP Status Port Descriptions

Port	Direction	Clock Domain	Description
CFGMSGDATA[15:0]	Output	USERCLK	Message RID/Set Slot Data/Bus, Device, Function Number. Endpoint: <ul style="list-style-type: none"> • If CFGMSGRECEIVED = 0, this output has the captured Bus/Device/Function Number of an Endpoint. • If CFGMSGRECEIVED = 1 & CFGMSGRECEIVEDSETSLOT POWERLIMIT = 1, this output has the Power Value and Scale fields. • If CFGMSGRECEIVED = 1 & CFGMSGRECEIVEDSETSLOT POWERLIMIT = 0, this output has the RID of the message. Root Port: <ul style="list-style-type: none"> • If any CFGMSGRECEIVED* signal pulses, this output has the RID of the message. • Otherwise, this output is undefined.
CFGMSGRECEIVED	Output	USERCLK	Configuration Received a Decodable Message. This output is only asserted if a message was received on the link. It is not asserted if an upstream-moving message was generated internally by a Root Port (although the appropriate CFGMSGRECEIVEDERR* signal is asserted).
CFGMSGRECEIVEDASSERTINTA	Output	USERCLK	This output pulses once for every Assert INTA Message received on the link. The Requester ID of the message appears on cfg_msg_data. Not used for Endpoints.
CFGMSGRECEIVEDASSERTINTB	Output	USERCLK	This output pulses once for every Assert INTB Message received on the link. The Requester ID of the message appears on cfg_msg_data. Not used for Endpoints.
CFGMSGRECEIVEDASSERTINTC	Output	USERCLK	This output pulses once for every Assert INTC Message received on the link. The Requester ID of the message appears on cfg_msg_data. Not used for Endpoints.
CFGMSGRECEIVEDASSERTINTD	Output	USERCLK	This output pulses once for every Assert INTD Message received on the link. The Requester ID of the message appears on cfg_msg_data. Not used for Endpoints.
CFGMSGRECEIVEDDEASSERTINTA	Output	USERCLK	This output pulses once for every Deassert INTA Message received on the link. The Requester ID of the message appears on cfg_msg_data. Not used for Endpoints.

Table D-10: Received Message TLP Status Port Descriptions (Cont'd)

Port	Direction	Clock Domain	Description
CFGMSGRECEIVEDDEASSERTINTB	Output	USERCLK	This output pulses once for every Deassert INTB Message received on the link. The Requester ID of the message appears on <code>cfg_msg_data</code> . Not used for Endpoints.
CFGMSGRECEIVEDDEASSERTINTC	Output	USERCLK	This output pulses once for every Deassert INTC Message received on the link. The Requester ID of the message appears on <code>cfg_msg_data</code> . Not used for Endpoints.
CFGMSGRECEIVEDDEASSERTINTD	Output	USERCLK	This output pulses once for every Deassert INTD Message received on the link. The Requester ID of the message appears on <code>cfg_msg_data</code> . Not used for Endpoints.
CFGMSGRECEIVEDERRCOR	Output	USERCLK	This output pulses once for every Correctable Error Message received on the link or generated internally by the Root Port (with the intent of having the backend logic compose a message upstream). The RID of the message appears on <code>cfg_msg_data</code> . Not used for Endpoints.
CFGMSGRECEIVEDERRFATAL	Output	USERCLK	This output pulses once for every Fatal Error Message received on the link or generated internally by a Downstream core (with the intent of having the backend logic compose a message upstream). The RID of the message appears on <code>cfg_msg_data</code> . Not used for Endpoints.
CFGMSGRECEIVEDERRNONFATAL	Output	USERCLK	This output pulses once for every Non-Fatal Error Message received on the link or generated internally by a Downstream core (with the intent of having the backend logic compose a message upstream). The RID of the message appears on <code>cfg_msg_data</code> . Not used for Endpoints.
CFGMSGRECEIVEDPMASNAK	Output	USERCLK	Received Power Management Active-State NAK Message. This output pulses once for every PM AS NAK Message received on the link. The RID of the message appears on <code>CFGMSGDATA</code> .
CFGMSGRECEIVEDPMETO	Output	USERCLK	Received PM Turn Off Message. This output pulses once for every PM Turn Off Message received on the link. The RID of the message appears on <code>CFGMSGDATA</code> .

Table D-10: Received Message TLP Status Port Descriptions (Cont'd)

Port	Direction	Clock Domain	Description
CFGMSGRECEIVEDPMETOACK	Output	USERCLK	This output pulses once for every PM Turn Off Ack Message received on the link. The RID of the message appears on <code>cfg_msg_data</code> . Not used for Endpoints.
CFGMSGRECEIVEDPMPME	Output	USERCLK	This output pulses once for every Power Management Event Message received on the link. The RID of the message appears on <code>cfg_msg_data</code> . Not used for Endpoint.
CFGMSGRECEIVEDSETSLOTPOWERLIMIT	Output	USERCLK	Received Set Slot Power Limit Message. This output pulses once for every Set Slot Power Limit Message received on the link. The data of this message (Value, Scale) appears on <code>CFGMSGDATA</code> .
CFGMSGRECEIVEDUNLOCK	Output	USERCLK	Received Unlock Message. This output pulses once for every Unlock Message received on the link. The RID of the message appears on <code>CFGMSGDATA</code> .

Power Management Ports

Table D-11 defines the Power Management ports within the Configuration Management interface.

Table D-11: Power Management Port Descriptions

Port	Direction	Clock Domain	Description
CFGPMCSRPMEEEN	Output	USERCLK2	PMCSR PME_En. This output sets the PME_En bit (bit 08) in the PMCSR register.
CFGPMCSRPMESTATUS	Output	USERCLK2	PMCSR PME_Status. This output sets the PME_Status bit (bit 15) in the PMCSR register.
CFGPMCSRPOWERSTATE	Output	USERCLK2	PMCSR PowerState[1:0]. This two-bit output determines the current power state of the port function. The encoding of this output is: <ul style="list-style-type: none"> • 00b: D0 • 01b: D1 • 10b: D2 • 11b: D3hot This output corresponds to the PowerState bits [01:00] of the PMCSR register.

Table D-11: Power Management Port Descriptions (Cont'd)

Port	Direction	Clock Domain	Description
CFGPMFORCESTATE	Input	USERCLK2	Force PM State. When used in conjunction with CFGPMFORCEENN, this input compels the Power Management State Machine (PMSM) to attempt to stay in or move toward the desired state. Drive the following value on this bus to indicate the state: <ul style="list-style-type: none"> • 00b: Move to or stay in L0 (or L0s/ASPM L1 if enabled) • 01b: Move to or stay in PPM L1 • 10b: Move to or stay in ASPM L0s (only sampled if in ASPM or L0) • 11b: Move to or stay in ASPM L1 (only sampled if in ASPM or L0)
CFGPMFORCESTATEENN	Input	USERCLK2	Force PM State Transition Enable (active-Low). When used in conjunction with CFGPMFORCESTATE, this input forces the PM SM to attempt to stay in or move toward the desired state. If the core attempts to move to a desired state, this input must be held asserted until CFGPCIELINKSTATE indicates the core is moving to that state.
CFGPMHALTASPML0SN	Input	USERCLK2	Halt ASPM L0s (active-Low). When asserted, this input forces the core to avoid the ASPM L0s state. If the core is already in the L0s state when this input is asserted, the core returns to the L0 state. If CFGPMFORCESTATE indicates the core should go to the L0s state, it overrides this signal.
CFGPMHALTASPML1N	Input	USERCLK2	Halt ASPM L1 (active-Low). <ul style="list-style-type: none"> • Endpoint When asserted, this input forces the Endpoint core to avoid the ASPM L1 state. If the core is already in the ASPM L1 state when this input is asserted, the core returns to the L0 state. If CFGPMFORCESTATE indicates the core should go to the ASPM L1 state, it overrides this signal. • Root Port When asserted, this input compels the Root Port core to NAK an ASPM L1 Request, if the link partner requests to go to the ASPM L1 state.⁽¹⁾
CFGPMRCVASREQ1N	Output	USERCLK	Not used.
CFGPMRCVENTERL1N	Output	USERCLK	Not used.
CFGPMRCVENTERL23N	Output	USERCLK	This output pulses for every PM_Enter_L23 DLLP received. PM_Enter_L23 DLLPs are received by a Root Port after it sends a PME_Turn_Off Message. The Root Port automatically responds; no action is required of the user. Not used for Endpoint.

Table D-11: Power Management Port Descriptions (Cont'd)

Port	Direction	Clock Domain	Description
CFGPMRCVREQACKN	Output	USERCLK	Received PMREQUESTACK DLLP (active-Low). When asserted, this output indicates that a PMREQUESTACK DLLP has been received by an Endpoint after it sends a PMENTERL1, a PMENTERL23, or a PM AS Req L1. The integrated block automatically responds; no action is required of the user.
CFGPMSENDPMETON	Input	USERCLK	Asserting this active-Low input causes the Root Port to send Turn Off Message. When the link partner responds with a Turn Off Ack, this is reported on CFGMSGRECEIVEDPMETOACK, and the final transition to L3 Ready is reported on cfg_pcie_link_state. Tie-off to 1 for Endpoint.
CFGPMTURNOFFOKN	Input	USERCLK	Configuration Turn off OK, PPM L3 (active-Low). The user application can assert the active-Low power turn-off ready signal to notify the Endpoint that it is safe for power to be turned off. This input is sampled during or after the cycle in which CFGMSGRECEIVEDPMETO pulses.
CFGPMWAKEN	Input	USERCLK	Send PMPME Message (active-Low). A one-clock cycle assertion of this input signals the integrated block to send a Power Management Wake Event (PMPME) Message TLP to the upstream link partner.

Notes:

1. ASPM L1 is unsupported in the 7 Series Integrated Block for PCIe.

Received Configuration TLP Status Ports

Table D-12 defines the Received Configuration TLP Status ports within the Configuration Management interface.

Table D-12: Received Configuration TLP Status Port Descriptions (Configuration Management Interface)

Port	Direction	Clock Domain	Description
CFGTRANSACTION	Output	USERCLK	Configuration Transaction Received. This output pulses when a valid Config read or write is received in the range of 0 - 7Fh (DWORD# 0 to 127).
CFGTRANSACTIONADDR[6:0]	Output	USERCLK	Configuration Transaction Address. This 7-bit output contains the DWORD offset that was addressed (0 - 7Fh). This output is valid only when CFGTRANSACTION pulses.
CFGTRANSACTIONTYPE	Output	USERCLK	Configuration Transaction Type. This output indicates the type of Configuration transaction when CFGTRANSACTION pulses: <ul style="list-style-type: none"> • 0: Read • 1: Write

Configuration-Specific Register Ports

Table D-13 defines the Configuration-Specific Register ports within the Configuration Management interface. These ports directly mirror the contents of commonly used registers located within the PCI Express Configuration Space.

Table D-13: Configuration-Specific Register Port Descriptions

Port	Direction	Clock Domain	Description
CFGAERROOTERRFATALRERRRECEIVED	Output	USERCLK2	Configuration AER, Fatal Error Messages Received. This output indicates that an ERR_FATAL Message was received.
CFGAERROOTERRFATALERRREPORTINGEN	Output	USERCLK2	Configuration AER, Fatal Error Reporting Enable. This register bit enables the user logic to generate interrupts for reported Fatal Errors.
CFGAERROOTERRNONFATALRERRRECEIVED	Output	USERCLK2	Configuration AER, Non-Fatal Error Messages Received. AER_Root_Error_Status[5]. This register bit indicates that an ERR_NFE Message was received.
CFGAERROOTERRNONFATALERRREPORTINGEN	Output	USERCLK2	Configuration AER, Non-Fatal Error Reporting Enable. This register bit enables the user logic to generate interrupts for reported Non-Fatal Errors.
CFGAERINTERRUPTMSGNUM[4:0]	Input	USERCLK2	Configuration AER, Interrupt Message Number. This input drives the value on AER Root Error Status Register[31:27] (Interrupt Message Number).
CFGBRIDGESERREN	Output	USERCLK2	Configuration Bridge Control, SERR Enable. Bridge Ctrl[1]. When asserted, this bit enables the forwarding of Correctable, Non-fatal, and Fatal errors.

Table D-13: Configuration-Specific Register Port Descriptions (Cont'd)

Port	Direction	Clock Domain	Description
CFGCOMMANDBUSMASTERENABLE	Output	USERCLK	Configuration Command, Bus Master Enable, Command[2]. The integrated block takes no action based on this setting; instead, you must. <ul style="list-style-type: none"> • Endpoints: When this output is asserted, the user logic is allowed to issue Memory or I/O Requests (including MSI/X interrupts); otherwise, the user logic must not issue those requests. • Root Ports: When this output is asserted, received Memory or I/O Requests can be forwarded upstream; otherwise these requests must be handled as URs. For Non-Posted Requests, a Completion with UR completion status must be returned.
CFGCOMMANDINTERRUPTDISABLE	Output	USERCLK	Configuration Command, Interrupt Disable, Command[10]. When this output is asserted, the integrated block is prevented from asserting INTx interrupts.
CFGCOMMANDIOENABLE	Output	USERCLK	Configuration Command, I/O Space Enable, Command[0]. <ul style="list-style-type: none"> • Endpoints: 0: The integrated block filters these accesses and responds with a UR. 1: Allows the device to receive I/O Space accesses. • Root Ports: 0: The user logic must not generate TLPs downstream. 1: The integrated block takes no action based on this setting.
CFGCOMMANDMEMENABLE	Output	USERCLK	Configuration Command, Memory Space Enable, Command[1]. <ul style="list-style-type: none"> • Endpoints: 0: The integrated block filters these accesses and responds with a UR. 1: Allows the device to receive Memory Space accesses. • Root Ports: 0: The user logic must not generate TLPs downstream. 1: The integrated block takes no action based on this setting.

Table D-13: Configuration-Specific Register Port Descriptions (Cont'd)

Port	Direction	Clock Domain	Description
CFGCOMMANDSERREN	Output	USERCLK	Configuration Command, SERR Enable (active-Low), Command[8]. When this output is asserted, reporting of Non-fatal and Fatal errors is enabled. If enabled, errors are reported either through this bit or through the PCI Express specific bits in the Device Control Register. In addition, for a Root Port application, this bit controls transmission by the primary interface of ERRNONFATAL and ERRFATAL Error messages forwarded from the secondary interface.
CFGDEVCONTROL2ARIFORWARDEN	Output	USERCLK2	Configuration Device Control 2, ARI Forwarding Enable. When this register bit is set, the Downstream Port disables its traditional Device Number field being zero enforcement when turning a Type 1 Configuration Request into a Type 0 Configuration Request. This permits access to Extended Functions in an ARI Device immediately below the Port. The default for this bit is 0b. It must be hardwired to 0b if the ARI Forwarding Supported bit is 0b.
CFGDEVCONTROL2ATOMICEGRESSBLOCK	Output	USERCLK2	Configuration Device Control 2, Atomic Egress Blocking. When this register bit is set, AtomicOp Requests that target going out this Egress Port must be blocked. The default value of this bit is 0b.
CFGDEVCONTROL2ATOMICREQUESTEREN	Output	USERCLK2	Configuration Device Control 2, Atomic Requester Enable. The Function is allowed to initiate AtomicOp Requests only if this bit and the Bus Master Enable bit in the Command register are both set. This bit is required to be RW if the Endpoint or Root Port can initiate AtomicOp Requests; otherwise it can be hardwired to 0b. This bit does not serve as a capability bit. This bit is permitted to be RW even if no AtomicOp Requester capabilities are supported by the Endpoint or Root Port. The default value of this bit is 0b.

Table D-13: Configuration-Specific Register Port Descriptions (Cont'd)

Port	Direction	Clock Domain	Description
CFGDEVCONTROL2CPLTIMEOUTDIS	Output	USERCLK	Configuration Device Control 2, Completion Timeout Disable, DEVICCTRL2[4]. When asserted, this output should cause the user application to disable the Completion Timeout counters.
CFGDEVCONTROL2CPLTIMEOUTVAL[3:0]	Output	USERCLK	Configuration Device Control 2, Completion Timeout Value, DEVICCTRL2[3:0]. This 4-bit output is the time range that the user logic should consider a Request's pending Completion as a Completion Timeout. The integrated block takes no action based on this setting. <ul style="list-style-type: none"> • 0000b: 50 μs to 50 ms (default) • 0001b: 50 μs to 100 μs • 0010b: 1 ms to 10 ms • 0101b: 16 ms to 55 ms • 0110b: 65 ms to 210 ms • 1001b: 260 ms to 900 ms • 1010b: 1 s to 3.5 s • 1101b: 4 s to 13 s • 1110b: 17 s to 64 s
CFGDEVCONTROL2IDOCPLEN	Output	USERCLK2	Configuration Device Control 2, IDO Completion Enable. If this register bit is set, the Function is permitted to set the ID-Based Ordering (IDO) bit. A Function can hardwire this bit to 0b if it never sets the IDO attribute in Requests. The default value of this bit is 0b.
CFGDEVCONTROL2IDOREQEN	Output	USERCLK2	Configuration Device Control 2, IDO Request Enable. If this register bit is set, the Function can set the IDO bit of Requests it initiates. A Function can hardwire this bit to 0b if it never sets the IDO attribute in Requests. The default value of this bit is 0b.
CFGDEVCONTROL2LTREN	Output	USERCLK2	Configuration Device Control 2, LTR Mechanism Enable. If this register bit is set, the Function can set the IDO bit. A Function can hardwire this bit to 0b if it never sets the IDO attribute in Requests. The default value of this bit is 0b.

Table D-13: Configuration-Specific Register Port Descriptions (Cont'd)

Port	Direction	Clock Domain	Description
CFGDEVCONTROL2TLPPREFIXBLOCK	Output	USERCLK2	Configuration Device Control 2, End-to-End TLP Prefix Blocking. Controls whether the routing function is permitted to forward TLPs containing an End-to-End TLP Prefix. Values are: <ul style="list-style-type: none"> • 0b: Forwarding Enabled. The Function can send TLPs with End-to-End TLP Prefixes. • 1b: Forwarding Blocked. The Function is not permitted to send TLPs with End-to-End TLP Prefixes. Blocked TLPs are reported by the TLP Prefix Blocked Error. The default value for this bit is 0b.
CFGDEVCONTROLAUXPOWEREN	Output	USERCLK	Not used.
CFGDEVCONTROLCORRERRREPORTINGEN	Output	USERCLK	Configuration Device Control, Correctable Error Reporting Enable, DEVICESCTRL[0]. This bit, in conjunction with other bits, controls sending ERRCOR messages. For a Root Port, the reporting of correctable errors is internal to the root; no external ERRCOR message is generated.
CFGDEVCONTROLENABLERO	Output	USERCLK	Configuration Device Control, Enable Relaxed Ordering, DEVICESCTRL[4]. When this output is asserted, the user logic is permitted to set the Relaxed Ordering bit in the Attributes field of transactions it initiates that do not require strong write ordering.
CFGDEVCONTROLEXTTAGEN	Output	USERCLK	Configuration Device Control, Tag Field Enable, DEVICESCTRL[8]. When this output is asserted, the user logic can use an 8-bit Tag field as a Requester. When this output is deasserted, the user logic is restricted to a 5-bit Tag field. The integrated block does not enforce the number of Tag bits used, either in outgoing request TLPs or incoming Completions.
CFGDEVCONTROLFATALERRREPORTINGEN	Output	USERCLK	Configuration Device Control, Fatal Error Reporting Enable, DEVICESCTRL[2]. This bit, in conjunction with other bits, controls sending ERRFATAL messages. For a Root Port, the reporting of correctable errors is internal to the root; no external ERRFATAL message is generated.

Table D-13: Configuration-Specific Register Port Descriptions (Cont'd)

Port	Direction	Clock Domain	Description
CFGDEVCONTROLMAXPAYLOAD[2:0]	Output	USERCLK	Configuration Device Control, MAXPAYLOADSIZE, DEVICECTRL[7:5]. This field sets the maximum TLP payload size. As a Receiver, the user logic must handle TLPs as large as the set value. As a Transmitter, the user logic must not generate TLPs exceeding the set value. <ul style="list-style-type: none"> • 000b: 128-byte maximum payload size • 001b: 256-byte maximum payload size • 010b: 512-byte maximum payload size • 011b: 1024-byte maximum payload size
CFGDEVCONTROLMAXREADREQ[2:0]	Output	USERCLK	Configuration Device Control, MAXREADREQUESTSIZE, DEVICECTRL[14:12]. This field sets the maximum Read Request size for the user logic as a Requester. The user logic must not generate Read Requests with size exceeding the set value. <ul style="list-style-type: none"> • 000b: 128-byte maximum Read Request size • 001b: 256-byte maximum Read Request size • 010b: 512-byte maximum Read Request size • 011b: 1024-byte maximum Read Request size • 100b: 2048-byte maximum Read Request size • 101b: 4096-byte maximum Read Request size
CFGDEVCONTROLNONFATALREPORTINGEN	Output	USERCLK	Configuration Device Control, Non-Fatal Error Reporting Enable, DEVICECTRL[1]. This bit, in conjunction with other bits, controls sending ERRNONFATAL messages. For a Root Port, the reporting of correctable errors is internal to the root; no external ERRNONFATAL message is generated.
CFGDEVCONTROLNOSNOOPEN	Output	USERCLK	Configuration Device Control, Enable No Snoop, DEVICECTRL[11]. When this output is asserted, the user logic is permitted to set the No Snoop bit in TLPs it initiates that do not require hardware-enforced cache coherency.

Table D-13: Configuration-Specific Register Port Descriptions (Cont'd)

Port	Direction	Clock Domain	Description
CFGDEVCONTROLPHANTOMEN	Output	USERCLK	Configuration Device Control, Phantom Functions Enable, DEVICECTRL[9]. When this output is asserted, the user logic can use unclaimed Functions as Phantom Functions to extend the number of outstanding transaction identifiers. If this output is deasserted, the user logic is not allowed to use Phantom Functions.
CFGDEVCONTROLURERRRREPORTINGEN	Output	USERCLK	Configuration Device Control, UR Reporting Enable, DEVICECTRL[3]. This bit, in conjunction with other bits, controls the signaling of URs by sending Error messages.
CFGDEVSTATUSCORRERRRDETECTED	Output	USERCLK	Configuration Device Status, Correctable Error Detected, DEVICESTATUS[0]. This output indicates the status of correctable errors detected. Errors are logged in this register regardless of whether error reporting is enabled or not in the Device Control Register.
CFGDEVSTATUSFATALERRRDETECTED	Output	USERCLK	Configuration Device Status, Fatal Error Detected, DEVICESTATUS[2]. This output indicates the status of Fatal errors detected. Errors are logged in this register regardless of whether error reporting is enabled or not in the Device Control Register.
CFGDEVSTATUSNONFATALERRRDETECTED	Output	USERCLK	Configuration Device Status, Non-Fatal Error Detected, DEVICESTATUS[1]. This output indicates the status of Non-fatal errors detected. Errors are logged in this register regardless of whether error reporting is enabled or not in the Device Control Register.
CFGDEVSTATUSURDETECTED	Output	USERCLK	Configuration Device Status, Unsupported Request Detected, DEVICESTATUS[3]. This output indicates that the integrated block received a UR. Errors are logged in this register regardless of whether error reporting is enabled or not in the Device Control Register.

Table D-13: Configuration-Specific Register Port Descriptions (Cont'd)

Port	Direction	Clock Domain	Description
CFGLINKCONTROLASPMCONTROL[1:0]	Output	USERCLK	Configuration Link Control, ASPM Control, LINKCTRL[1:0]. This 2-bit output indicates the level of ASPM supported, where: <ul style="list-style-type: none"> • 00b: Disabled • 01b: L0s Entry Enabled • 10b: Not used • 11b: Not used
CFGLINKCONTROLAUTOBANDWIDTHINTEN	Output	USERCLK	Configuration Link Control, Link Autonomous Bandwidth Interrupt Enable, LINKCTRL[11]. When asserted active-Low, this bit enables the generation of an interrupt to indicate that the Link Autonomous Bandwidth Status bit has been set. The core takes no action based on the setting of this bit; user logic must create the interrupt. Not used for Endpoint.
CFGLINKCONTROLBANDWIDTHINTEN	Output	USERCLK	Configuration Link Control, Link Bandwidth Management Interrupt Enable, LINKCTRL[10]. When asserted, active-Low, enables the generation of an interrupt to indicate that the Link Bandwidth Management Status bit has been set. The core takes no action based on the setting of this bit; user logic must create the interrupt. Not used for Endpoint.
CFGLINKCONTROLCLOCKPMEN	Output	USERCLK	Configuration Link Control, Enable Clock Power Management, LINKCTRL[8]. For Endpoints that support a CLKREQ# mechanism: <ul style="list-style-type: none"> • 0b: Clock power management disabled • 1b: The device is permitted to use CLKREQ# The integrated block takes no action based on the setting of this bit; this function must be implemented in external logic.

Table D-13: Configuration-Specific Register Port Descriptions (Cont'd)

Port	Direction	Clock Domain	Description
CFGLINKCONTROLCOMMONCLOCK	Output	USERCLK	Configuration Link Control, Common Clock Configuration, LINKCTRL[6]. When this output is asserted, this component and the component at the opposite end of this Link are operating with a distributed common reference clock. When this output is deasserted, the components are operating with an asynchronous reference clock.
CFGLINKCONTROLEXTENDED SYNC	Output	USERCLK	Configuration Link Control, Extended Synch, LINKCTRL[7]. When this output is asserted, the transmission of additional ordered sets is forced when exiting the L0s state and when in the Recovery state.
CFGLINKCONTROLHWAUTOWIDTHDIS	Output	USERCLK	Configuration Link Control, Hardware Autonomous Width Disable, LINKCTRL[9]. When this output is asserted, the integrated block is disabled from changing the Link width for reasons other than attempting to correct an unreliable Link operation by reducing the Link width.
CFGLINKCONTROL LINKDISABLE	Output	USERCLK	Configuration Link Control, Link Disable, LINKCTRL[4]. When this output is asserted, indicates the Link is disabled and directs the LTSSM to the Disabled state. Not used for Endpoint.
CFGLINKCONTROLRCB	Output	USERCLK	Configuration Link Control, RCB, LINKCTRL[3]. This output indicates the Read Completion Boundary value, where: <ul style="list-style-type: none"> • 0: 64B • 1: 128B
CFGLINKCONTROLRETRAINLINK	Output	USERCLK	Configuration Link Control, Retrain Link, LINKCTRL[5]. A write of 1b to this bit to the Root Port Type 1 configuration space initiates Link retraining by directing the Physical Layer LTSSM to the Recovery state. Configuration Reads of this bit are always 0, but this signal pulses for one cycle when a 1 is written to it. Not used for Endpoint.

Table D-13: Configuration-Specific Register Port Descriptions (Cont'd)

Port	Direction	Clock Domain	Description
CFGLINKSTATUSAUTOBANDWIDTHSTATUS	Output	USERCLK	Configuration Link Status, Link Autonomous Bandwidth Status, LINKSTATUS[15]. Indicates the core has autonomously changed Link speed or width, without the Port transitioning through DL_Down status, for reasons other than to attempt to correct unreliable Link operation. This bit must be set if the Physical Layer reports a speed or width change was initiated by the Downstream component that was indicated as an autonomous change. Not used for Endpoint.
CFGLINKSTATUSBANDWIDTHSTATUS	Output	USERCLK	Configuration Link Status, Link Bandwidth Management Status, LINKSTATUS[14]. This output indicates that either of the following has occurred without the Port transitioning through DL_Down status: <ul style="list-style-type: none"> • A Link retraining has completed following a write of 1b to the Retrain Link bit. Note: This bit is Set following any write of 1b to the Retrain Link bit, including when the Link is in the process of retraining for some other reason. • Hardware has changed Link speed or width to attempt to correct unreliable Link operation, either through an LTSSM timeout or a higher level process. This bit is set if the Physical Layer reports a speed or width change was initiated by the Downstream component that was not indicated as an autonomous change. Not used for Endpoint.
CFGLINKSTATUSCURRENTSPEED[1:0]	Output	USERCLK	Configuration Link Status, Current Link Speed, LINKSTATUS[1:0]. This field indicates the negotiated Link speed of the given PCI Express Link: <ul style="list-style-type: none"> • 01b: 2.5 GB/s PCI Express Link • 10b: 5.0 GB/s PCI Express Link
CFGLINKSTATUSDLLACTIVE	Output	USERCLK	Not used.
CFGLINKSTATUSLINKTRAINING	Output	USERCLK	Not used.

Table D-13: Configuration-Specific Register Port Descriptions (Cont'd)

Port	Direction	Clock Domain	Description
CFGLINKSTATUSNEGOTIATEDWIDTH[3:0]	Output	USERCLK	Configuration Link Status, Negotiated Link Width, LINKSTATUS[7:4]. This output indicates the negotiated width of the given PCI Express Link (only widths up to x8 are displayed). <ul style="list-style-type: none"> • 0001b: x1 • 0010b: x2 • 0100b: x4 • 1000b: x8
CFGROOTCONTROLPMEINTEN	Output	USERCLK2	Configuration Root Control, PME Interrupt Enable. This register bit enables the user logic to generate an Interrupt for received PME Messages.
CFGROOTCONTROLSYSERRCORRERREN	Output	USERCLK2	Configuration Root Control, System Error on Correctable Error Enable. This register bit enables the user logic to generate a System Error for reported Correctable Errors.
CFGROOTCONTROLSYSERRFATALERREN	Output	USERCLK2	Configuration Root Control, System Error on Fatal Error Enable. This register bit enables the user logic to generate a System Error for reported Fatal Errors.
CFGROOTCONTROLSYSERRNONFATALERREN	Output	USERCLK2	Configuration Root Control, System Error on Non-Fatal Error Enable. This register bit enables the user logic to generate a System Error for reported Non-Fatal Errors.
CFGSLOTCONTROLELECTROMECHILCTLPULSE	Output	USERCLK	Not used.
CFGTRNPENDINGN	Input	USERCLK	User Transaction Pending (active-Low). When asserted, this input sets the Transactions Pending bit in the Device Status Register (DEVICESTATUS[5]). <p>Note: You must assert this input if the user application has not received a completion to a request.</p>

Miscellaneous Configuration Management Ports

Table D-14 defines the Miscellaneous Configuration Management ports within the Configuration Management interface.

Table D-14: Miscellaneous Configuration Management Port Descriptions

Port	Direction	Clock Domain	Description
CFGAERECRCHECKEN	Output	USERCLK	Not used.
CFGAERECRCGENEN	Output	USERCLK	Not used.
CFGDEVID[15:0]	Input	USERCLK2	Configuration Device ID. This input indicates the value to transfer to the PCI Capability Structure Device ID field.
CFGDSN[63:0]	Input	USERCLK	Configuration Device Serial Number. This 64-bit input indicates the value that should be transferred to the Device Serial Number Capability. Bits [31:0] are transferred to the first (Lower) DWORD (byte offset 0x4 of the Capability), and bits [63:32] are transferred to the second (Upper) DWORD (byte offset 0x8 of the Capability).
CFGFORCECOMMONCLOCKOFF	Input	USERCLK2	Force Common Clock Off. When asserted, this input forces the core to behave as if Common Clock was on (but does not set Link Ctrl[7]).
CFGFORCEEXTENDED SYNCON	Input	USERCLK2	Force Extended Synch On. When asserted, this input forces the core to behave as if Extended Synch was on (but does not set Link Ctrl[7]).
CFGFORCEMPS[2:0]	Input	USERCLK2	Force Maximum Payload Size. When ATTR_MPS_FORCE = 1, the core uses this MPS value to check the payload size of received TLPs and for replay/ACKNAK time-outs, instead of using Device Ctrl[7:5]. It does not change Device Ctrl[7:5].
CFGPCIECAPINTERRUPTMSGNUM[4:0]	Input	USERCLK2	Configuration PCIe Capabilities, Interrupt Message Number. This input drives the value on PCIe Capabilities Register[29:25] (Interrupt Message Number).
CFGPCIELINKSTATE[2:0]	Output	USERCLK	PCI Express Link State. This encoded bus reports the PCIe Link State Information to the user: <ul style="list-style-type: none"> • 000b: L0 state • 001b: PPM L1 state • 010b: PPM L2/L3Ready state • 011b: PMPME state • 100b: In or transitioning to/from the ASPM L0s state • 101b: Transitioning to/from the PPM L1 state • 110b: Transitioning to the PPM L2/L3Ready state • 111b: In or transitioning to/from the ASPM L1 state

Table D-14: Miscellaneous Configuration Management Port Descriptions (Cont'd)

Port	Direction	Clock Domain	Description
CFGREVID[7:0]	Input	USERCLK2	Configuration Revision ID. This input indicates the value to transfer to the PCI Capability Structure Revision ID field.
CFGSUBSYSID[15:0]	Input	USERCLK2	Configuration Subsystem ID. This input indicates the value to transfer to the Type 0 PCI Capability Structure Subsystem ID field.
CFGSUBSYSVENDID[15:0]	Input	USERCLK2	Configuration Subsystem Vendor ID. This input indicates the value to transfer to the Type 0 PCI Capability Structure Subsystem Vendor ID field.
CFGCFGVCTCVCMAP[6:0]	Output	USERCLK2	Configuration VC Resource Control, TC/VC Map. VC_Resource_Ctrl[7:1]. This output indicates whether TCs 1–7 are valid for VC0. The signal's index is shifted by one with respect to the register index (for example, cfg_vc_tvc_map[0] = VC_Resource_Ctrl[1]).
CFGVENDID[15:0]	Input	USERCLK2	Configuration Device ID. This input indicates the value to transfer to the PCI Capability Structure Vendor ID field.

Dynamic Reconfiguration Port Interface

Table D-15 describes the Dynamic Reconfiguration Port (DRP) ports.

Table D-15: DRP Port Descriptions

Port	Direction	Clock Domain	Description
DRPCLK	Input		DRP clock input
DRPADDR[8:0]	Input	DRPCLK	DRP address bus
DRPDI[15:0]	Input	DRPCLK	DRP input data bus
DRPDO[15:0]	Output	DRPCLK	DRP data out
DRPEN	Input	DRPCLK	DRP transaction enable
DRPRDY	Output	DRPCLK	DRP transaction done
DRPWE	Input	DRPCLK	DRP write enable

TL2 Interface Ports

The TL2 interface is unused but documented for completeness (see [Table D-16](#)).

Table D-16: TL2 Interface Port Descriptions

Port	Direction	Clock Domain	Description
LL2BADDLLPERR	Output	USERCLK	Not used.
LL2BADTLPERR	Output	USERCLK	Not used.
LL2LINKSTATUS	Output	USERCLK2	Not used.
LL2PROTOCOLERR	Output	USERCLK	Not used.
LL2RECEIVERERR	Output	USERCLK2	Not used.
LL2REPLAYROERR	Output	USERCLK	Not used.
LL2REPLAYTOERR	Output	USERCLK	Not used.
LL2SENDASREQ1	Input	USERCLK	Tie-off to 0.
LL2SENDENTERL1	Input	USERCLK	Tie-off to 0.
LL2SENDENTERL23	Input	USERCLK	Tie-off to 0.
LL2SENDPMACK	Input	USERCLK2	Tie-off to 0.
LL2SUSPENDNOW	Input	USERCLK	Tie-off to 0.
LL2SUSPENDOK	Output	USERCLK	Not used.
LL2TFCINIT1SEQ	Output	USERCLK	Not used.
LL2TFCINIT2SEQ	Output	USERCLK	Not used.
LL2TLPRCV	Input	USERCLK	Tie-off to 0.
LL2TXIDLE	Output	USERCLK2	Not used.
PL2DIRECTEDLSTATE[4:0]	Input	USERCLK	Tie-off to 0.
PL2L0REQ	Output	USERCLK2	Not used.
PL2LINKUP	Output	USERCLK	Not used.
PL2RECEIVERERR	Output	USERCLK	Not used.
PL2RECOVERY	Output	USERCLK	Not used.
PL2RXELECIDLE	Output	USERCLK	Not used.
PL2RXPMSTATE[1:0]	Output	USERCLK2	Not used.
PL2SUSPENDOK	Output	USERCLK	Not used.
TL2ASPMSPENDCREDITCHECK	Input	USERCLK	Tie-off to 0.
TL2ASPMSPENDCREDITCHECKOK	Output	USERCLK	Not used.
TL2ASPMSPENDREQ	Output	USERCLK	Not used.
TL2ERRFCPE	Output	USERCLK2	Not used.
TL2ERRHDR[63:0]	Output	USERCLK2	Not used.

Table D-16: TL2 Interface Port Descriptions (Cont'd)

Port	Direction	Clock Domain	Description
TL2ERRMALFORMED	Output	USERCLK2	Not used.
TL2ERRRXOVERFLOW	Output	USERCLK2	Not used.
TL2PPMSUSPENDOK	Output	USERCLK	Not used.
TL2PPMSUSPENDREQ	Input	USERCLK	Tie-off to 0.
TRNRDLLPDATA[31:0]	Output	USERCLK	Not used.
TRNRDLLPSRCRDY[1:0]	Output	USERCLK	Not used.
TRNTDLLPDATA[63:0]	Input	USERCLK	Tie-off to 0.
TRNTDLLPDSTRDY	Output	USERCLK	Not used.
TRNTDLLPSRCRDY	Input	USERCLK	Tie-off to 0.

Additional Resources and Legal Notices

Xilinx Resources

For support resources such as Answers, Documentation, Downloads, and Forums, see [Xilinx Support](#).

References

This section provides supplemental material useful with this product guide.

1. [AMBA AXI4-Stream Protocol Specification](#)
2. [PCI-SIG® Specifications](#)
3. Intel Developer Forum For [PCI Express Architecture](#)
4. *Virtex-7 FPGA Gen3 Integrated Block for PCI Express Product Guide* ([PG023](#))
5. *Kintex-7 FPGAs Data Sheet: DC and AC Switching Characteristics* ([DS182](#))
6. *Virtex-7 FPGAs Data Sheet: DC and Switching Characteristics* ([DS183](#))
7. *7 Series FPGAs Configuration User Guide* ([UG470](#))
8. *Zynq-7000 All Programmable SoC Technical Reference Manual* ([UG585](#))
9. *Zynq-7000 All Programmable SoC Software Developers Guide* ([UG821](#))
10. *7 Series FPGAs SelectIO Resources User Guide* ([UG471](#))
11. *7 Series FPGAs Clocking Resources User Guide* ([UG472](#))
12. *7 Series FPGAs GTX/GTH Transceivers User Guide* ([UG476](#))
13. *7 Series FPGAs GTP Transceivers User Guide* ([UG482](#))
14. *Vivado Design Suite User Guide: Getting Started* ([UG910](#))
15. *Vivado Design Suite User Guide: Design with IP* ([UG896](#))
16. *Vivado Design Suite User Guide: Logic Simulation* ([UG900](#))
17. *Vivado Design Suite User Guide: Programming and Debugging* ([UG908](#))

18. *ISE to Vivado Design Suite Migration Methodology Guide* ([UG911](#))
19. *Vivado Design Suite User Guide: Designing IP Subsystems using IP Integrator* ([UG994](#))
20. *Vivado Design Suite Tcl Command Reference Guide* ([UG835](#))
21. *PIPE Mode Simulation Using Integrated Endpoint PCI Express Block in Gen2 x8 Configurations Application Note* ([XAPP1184](#))
22. [ATX 12V Power Supply Design Guide](#)

Revision History

The following table shows the revision history for this document.

Date	Version	Revision
09/30/2015	3.2	<ul style="list-style-type: none"> • Renamed core pinouts to GT locations. • Minor updates to the Tandem Configuration section. • Added Post Synthesis/Implementation Netlist Simulation section. • Added XC7A200T device SBV484 package to the Updated the Available Integrated Block for PCIe table and Artix-7 Recommended GT Locations table. • Updated PIPE signal mapping information with new tables: Common In/Out Commands and Endpoint PIPE Signals Mappings, and Input/Output Bus with Endpoint PIPE Signals Mapping.
07/02/2015	3.1	<ul style="list-style-type: none"> • Corrected the resource utilization data.
06/24/2015	3.1	<ul style="list-style-type: none"> • Added encrypted bitstream support details to the Tandem Configuration section. • Added qZyng-7000 device and package support in the Recommended Integrated Block for PCIe table. • Added significant detail to the Relocating the Integrated Block Core section. • Clarified that the Enable External PIPE Interface option (PIPE Mode Simulations) is tested only with the BFM from Avery Design Systems. • Added a new test to the Root Port Model Provided Tests table (Test Benches chapter). • Changed Vivado Lab Edition to Vivado Design Suite Debug Feature.
04/01/2015	3.1	<ul style="list-style-type: none"> • Updated BUFG usage values of the standalone PCIe core. • Updated speed grade and link width support for the supported Zynq®-7000 devices in the Core Configurations table in the Minimum Device Requirements section. • Added a note regarding supported optional frequency clock frequencies for Artix-7 devices and certain speed grades. • Added clarifying note regarding the core parameters in the top-level file and core top module in the example designs. • Added the pipe_txinhibit port. • Changed Vivado lab tools to Vivado Lab Edition.

Date	Version	Revision
11/19/2014	3.0	<ul style="list-style-type: none"> • Added new Artix and Zynq device support. • Updated the tandem configuration information. • Correction made to the AER_CAP_VERSION[3:0] value. • Clarification made to the PIPE Mode Simulations parameter description. • Added support for Cadence Incisive Enterprise Simulator (IES) and Synopsys Verilog Compiler Simulator (VCS).
10/01/2014	3.0	<ul style="list-style-type: none"> • Correction to valid values for m_axis_rx_tuser[21:17] receiver interface signal. • Updated the tandem configuration information.
06/04/2014	3.0	<ul style="list-style-type: none"> • Added new device support. • Updated tandem configuration information.
04/02/2014	3.0	<ul style="list-style-type: none"> • Updated device and package information.
12/18/2013	3.0	<ul style="list-style-type: none"> • Updated for core v3.0. • Updated integrated blocks table for Artix-7 in Product Specification. • Updated logic sharing information in Designing with the Core. • Updated supported core pinouts in Constraining the Core. • Updated parameter and port information in Migrating and Updating appendix.
10/02/2013	2.2	<ul style="list-style-type: none"> • Updated for core v2.2. • Added Vivado IP integrator support. • Added BUFG resource utilization numbers. • Added information about the Shared Logic feature, and the new Share Logic and Core Interface Parameters options in the Vivado IDE. • Updated the Tandem Configuration section. • Added Simulation, Synthesis and Implementation, and Test Bench chapters. • Reorganized content: moved test bench information from Example Design chapter to Test Bench chapter, and moved core simulation content into Simulation chapter. • Updated the example design content. • Added the Transceiver Control and Status Port section to Debugging appendix. • Added core parameter and port changes to Migrating and Upgrading appendix.
06/19/2013	2.1	<ul style="list-style-type: none"> • Updated for core v2.1. • Major updates to the Tandem Configuration section in Chapter 3. • Updated the Directory and File Contents section in Chapter 5. • Added simulation instructions in Chapter 5.
03/20/2013	2.0	<ul style="list-style-type: none"> • Updated for core v2.0 and for Vivado Design Suite-only support. • Added the PIPE_MMCM_RST_N clocking interface signal. • Updated Clocking in Chapter 3.
12/18/2012	1.2	<ul style="list-style-type: none"> • Updated for core v1.8, ISE Design Suite 14.4, and Vivado Design Suite 2012.4. • Updated the available integrated block for PCIe: Table 2-5 and Table 5-1. • Major revisions made to Clocking in Chapter 3. • Updated Chapter 4, Customizing and Generating the Core.

Date	Version	Revision
10/16/2012	1.1	<ul style="list-style-type: none"> • Updated core to v1.7, ISE Design Suite to 14.3, and Vivado Design Suite to 2012.3. • Added Zynq®-7000 device family support. • Removed XC7V1500T, and XC7A350T. • Added new sections to Chapter 3. • New screenshots and descriptions in Chapter 4. • Added Chapter 6 and Chapter 15.
07/25/2012	1.0	Initial Xilinx release. This document includes support for Vivado Design Suite v2012.2 and ISE Design Suite v14.2 for core version 1.6. This document replaces UG477, <i>7 Series FPGAs Integrated Block for PCI Express User Guide</i> and DS821, <i>LogiCORE IP 7 Series FPGAs Integrated Block for PCI Express Data Sheet</i> .

Please Read: Important Legal Notices

The information disclosed to you hereunder (the "Materials") is provided solely for the selection and use of Xilinx products. To the maximum extent permitted by applicable law: (1) Materials are made available "AS IS" and with all faults, Xilinx hereby DISCLAIMS ALL WARRANTIES AND CONDITIONS, EXPRESS, IMPLIED, OR STATUTORY, INCLUDING BUT NOT LIMITED TO WARRANTIES OF MERCHANTABILITY, NON-INFRINGEMENT, OR FITNESS FOR ANY PARTICULAR PURPOSE; and (2) Xilinx shall not be liable (whether in contract or tort, including negligence, or under any other theory of liability) for any loss or damage of any kind or nature related to, arising under, or in connection with, the Materials (including your use of the Materials), including for any direct, indirect, special, incidental, or consequential loss or damage (including loss of data, profits, goodwill, or any type of loss or damage suffered as a result of any action brought by a third party) even if such damage or loss was reasonably foreseeable or Xilinx had been advised of the possibility of the same. Xilinx assumes no obligation to correct any errors contained in the Materials or to notify you of updates to the Materials or to product specifications. You may not reproduce, modify, distribute, or publicly display the Materials without prior written consent. Certain products are subject to the terms and conditions of Xilinx's limited warranty, please refer to Xilinx's Terms of Sale which can be viewed at <http://www.xilinx.com/legal.htm#tos>; IP cores may be subject to warranty and support terms contained in a license issued to you by Xilinx. Xilinx products are not designed or intended to be fail-safe or for use in any application requiring fail-safe performance; you assume sole risk and liability for use of Xilinx products in such critical applications, please refer to Xilinx's Terms of Sale which can be viewed at <http://www.xilinx.com/legal.htm#tos>.

© Copyright 2012–2015 Xilinx, Inc. Xilinx, the Xilinx logo, Artix, ISE, Kintex, Spartan, Virtex, Vivado, Zynq, and other designated brands included herein are trademarks of Xilinx in the United States and other countries. PCI, PCIe and PCI Express are trademarks of PCI-SIG and used under license. All other trademarks are the property of their respective owners.